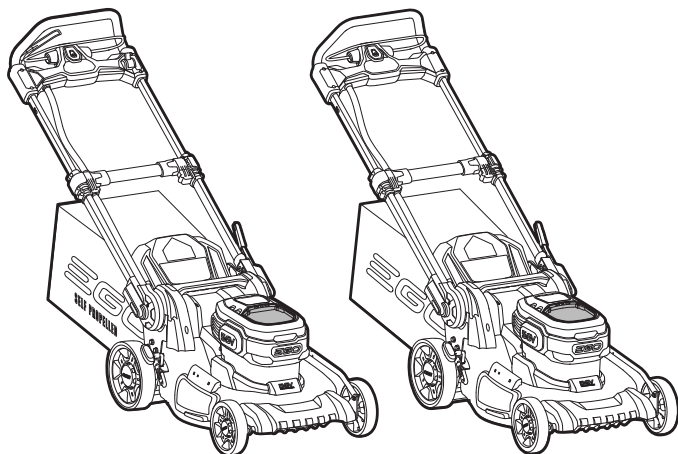


EGO™

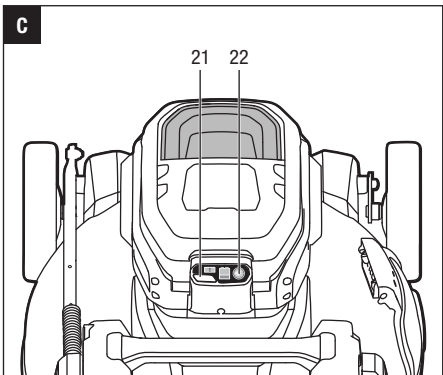
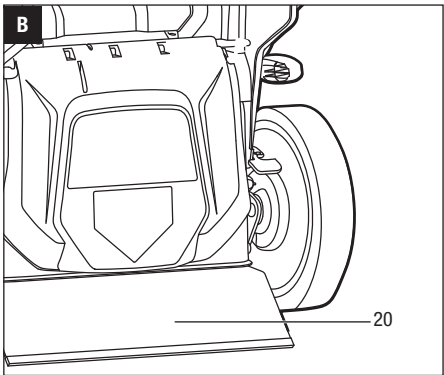
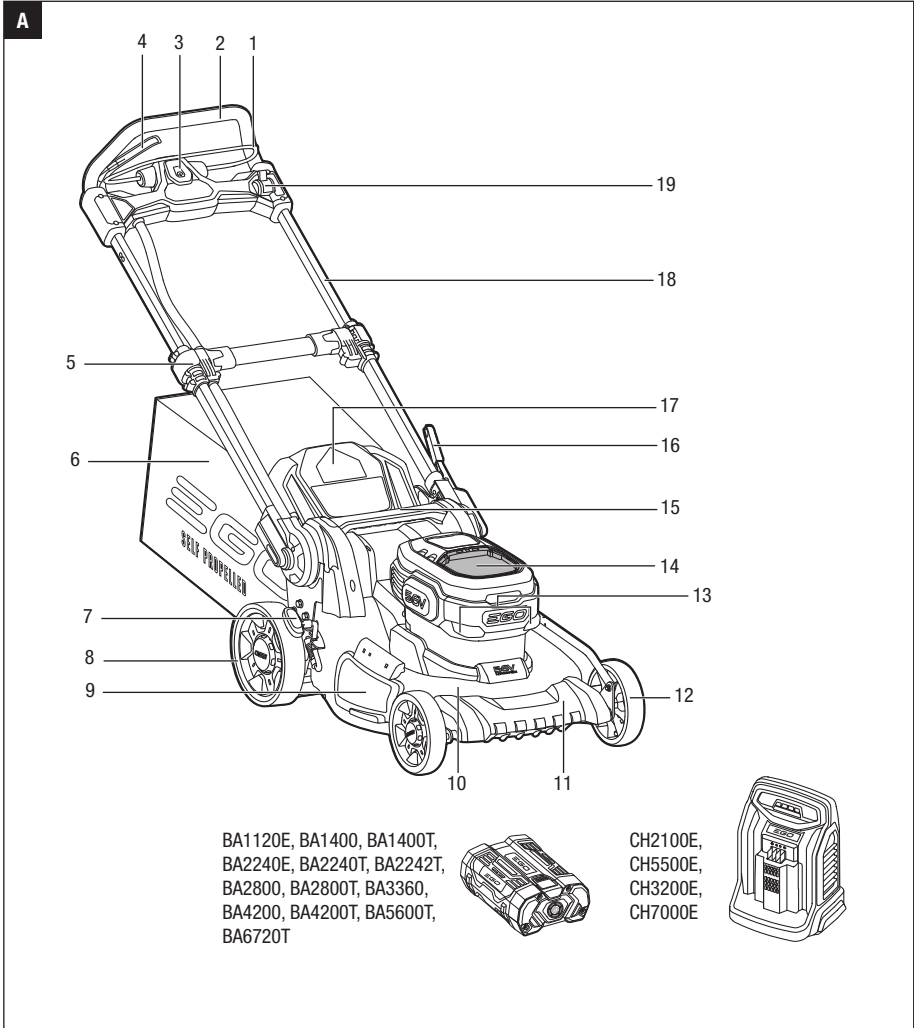
POWER⁺ MOWER

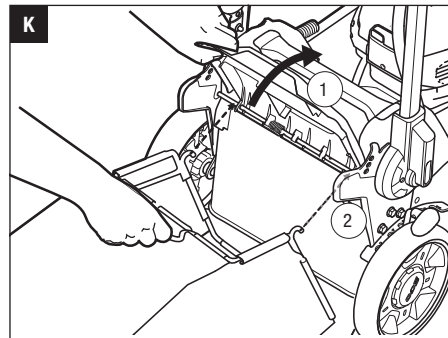
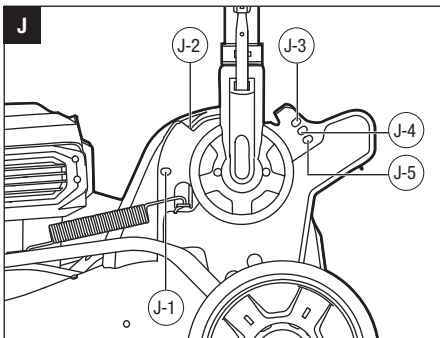
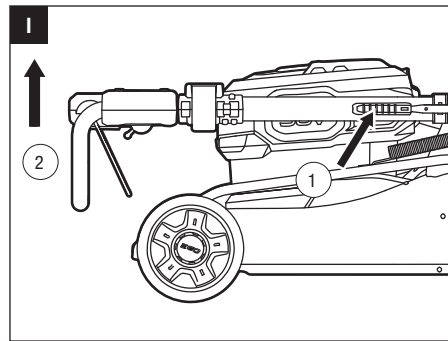
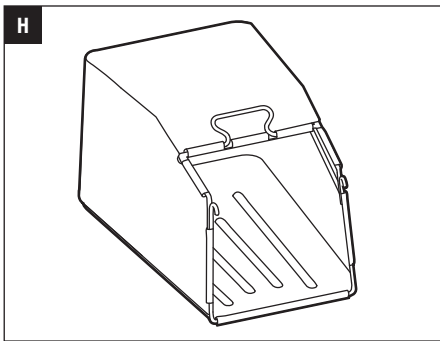
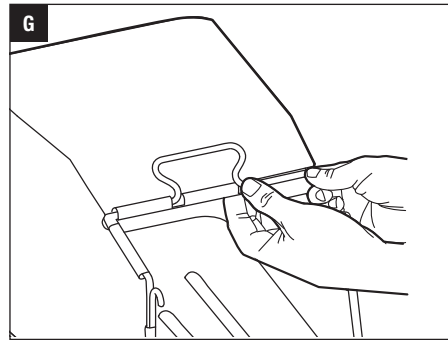
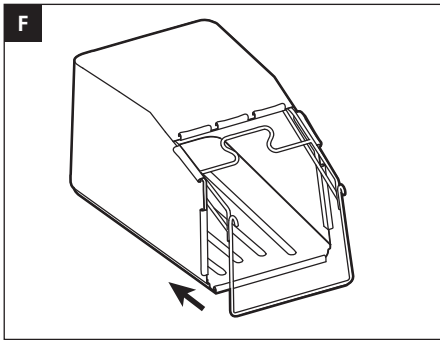
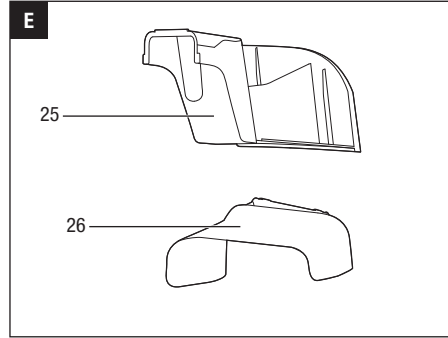
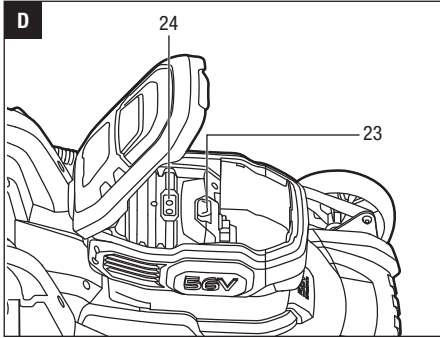


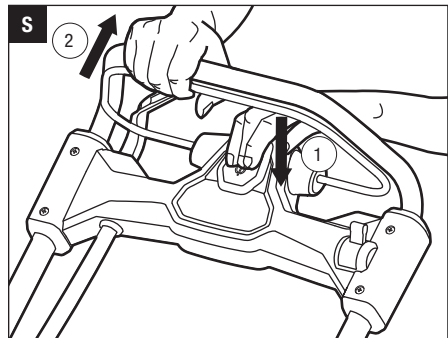
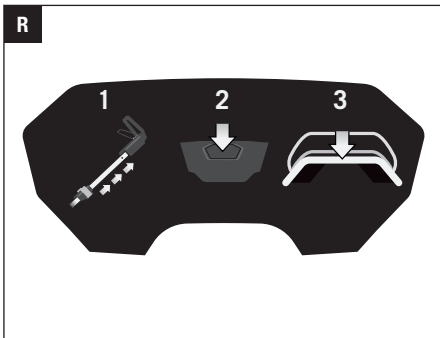
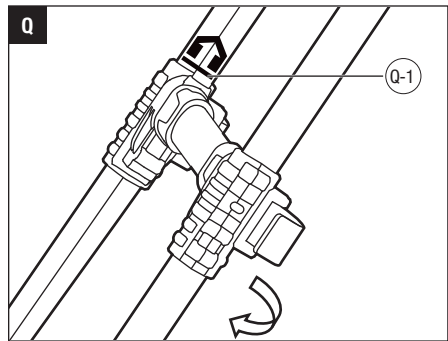
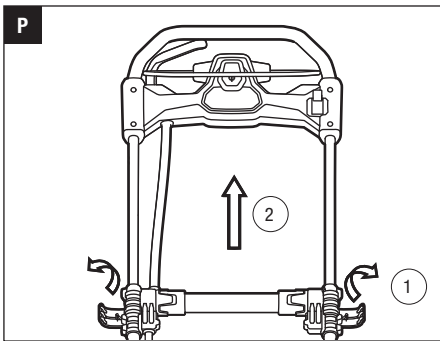
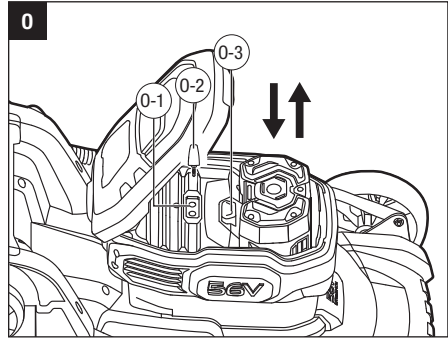
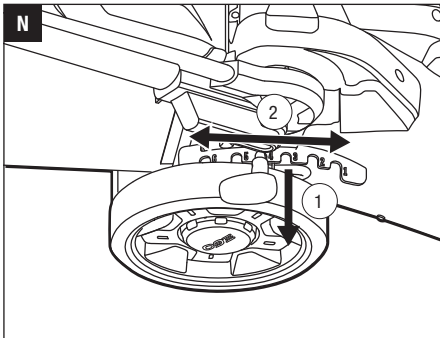
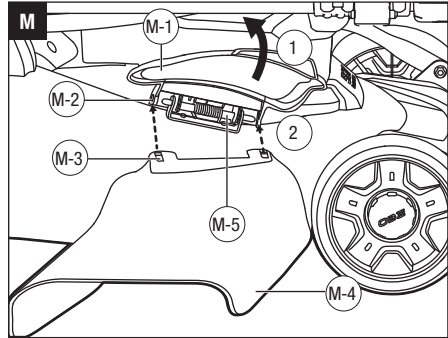
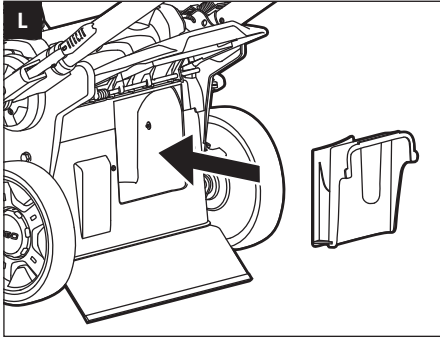
LM2020E / LM2020E-SP

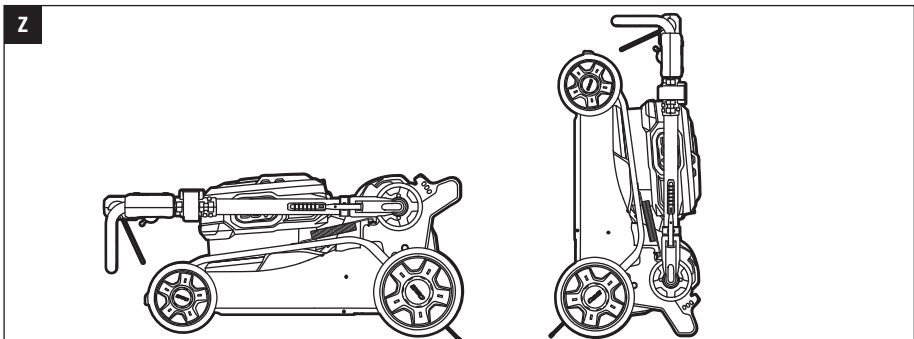
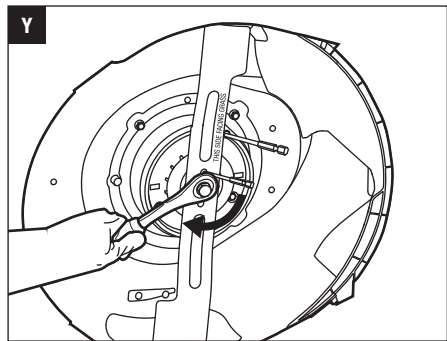
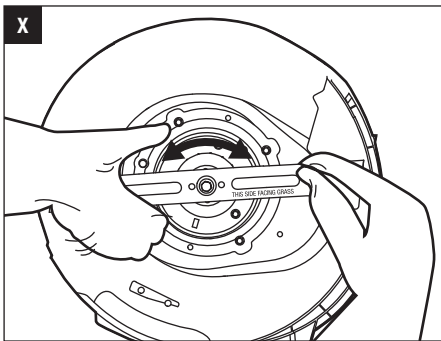
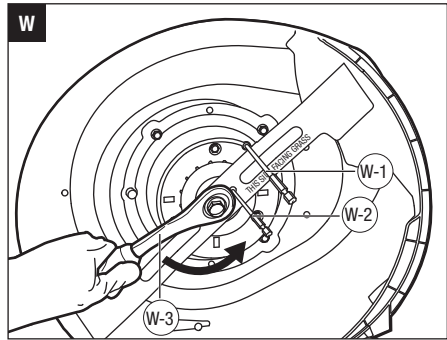
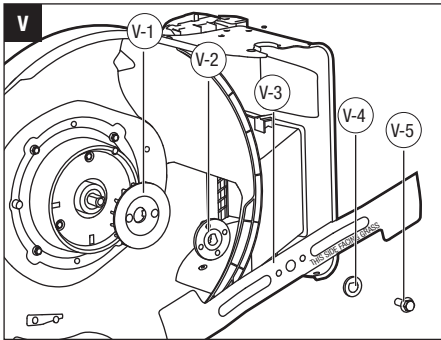
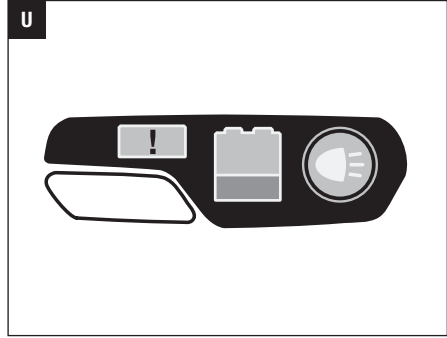
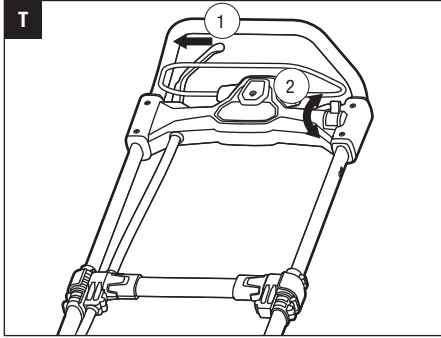
56 VOLT LITHIUM-ION CORDLESS MOWER

EN	56 Volt lithium-ion cordless mower	6	RO	Mașină de tuns iarba cu acumulator de litiu ion de 56 volți	235
DE	56-volt lithium-ionen kabelloser rasenmäher	19	SL	56-voltna litij-ioniska brezžična kosilnica	250
FR	Tondeuse sans fil au lithium-ion de 56 volts	34	LT	56 voltų ličio jonų belaidė žoliapjovė	264
ES	Cortacésped inalámbrico de ión de litio de 56V	49	LV	56 voltu litija jonu bezvadu zāles pļāvējs	278
PT	Máquina de cortar relva sem fios de 56 volts de ião e lítio	65	GR	Ασπράτη χλοοκοπτική μηχανή ιονταν - λιθίου 56 volt	292
IT	Tosaerba senza fili a batteria li-ion 56 volt	79	TR	56 volt lityum-iyon kablosuz çim biçme makinesi	308
NL	56-volt lithium-ion accugrasmaaier	93	ET	56-voldise liitiumioonakuga akutoitel muruniiduk	322
DK	56 volt litium-ion-batteri akku plæneklipper	108	UK	56-вольтна літій-іонна акумуляторна косарка	335
SE	56 volts sladdlös gräsklippare med litium-jonbatteri	122	BG	56 волта литиево-йонна безкабелна косачка	350
FI	56 voltin litiumioniakulla akukäyttöinen ruohonleikkuri	136	HR	56 voltna litij-ioniska baterijska kosilica	365
NO	56 volt lithium-ion gressklipper uten ledning	150	KA	56 ვოლტადანი ლითიუმის-იონის უსადენო ძრავა	378
RU	Беспроводная газонокосилка на литий-ионной батарее 56В	163	SR	Bežična kosilica sa litijum-jonskom baterijom od 56 volti	399
PL	Kosiarka bezprzewodowa na akumulator jonowo-litowy 56 woltów	179	BS	Akumulatorska kosilica s litij-ionskom baterijom od 56 v	412
CZ	56 voltová lithium-iontová bezdrátová sekačka na trávu	194	HE	מכסחת דשא חסותית 56 וולט ליתיום-יון	451
SK	56 voltová lítium-iónová bezdrôtová kosačka na trávu	207	AR	الجرازة اللاسلكية العاملة ببطارية ليثيوم-أيون 56 فولت	438
HU	56 volts vezeték nélküli lítium-ion fűnyíró	221			









EN

READ ALL INSTRUCTIONS!



READ OPERATOR'S MANUAL

WARNING: To ensure safety and reliability, all repairs and replacements should be performed by a qualified service technician.

Intended use & Foreseeable misuse: The product is intended for mowing grass in domestic gardens only. It must not be used to mow unusually high, dry or wet grass, e.g. pasture grass; or to shred leaves. The product is to be used only for its prescribed purpose. Any other use is deemed to be a case of misuse.

SAFETY SYMBOLS

The purpose of safety symbols is to attract your attention to possible dangers. The safety symbols and the explanations with them deserve your careful attention and understanding. The symbol warnings do not, by themselves, eliminate any danger. The instructions and warnings they give are no substitutes for proper accident prevention measures.

WARNING: Be sure to read and understand all safety instructions in this Operator's Manual, including all safety alert symbols such as **"DANGER," "WARNING,"** and **"CAUTION"** before using this tool. Failure to follow all instructions listed below may result in electric shock, fire, and/or serious personal injury.

SYMBOL MEANING

SAFETY ALERT SYMBOL: Indicates **DANGER, WARNING, OR CAUTION,** may be used in conjunction with other symbols or pictographs.

WARNING: The operation of any power tools can result in foreign objects being thrown into your eyes, which can result in severe eye damage. Before beginning power tool operation, always wear safety goggles or safety glasses with side shields and a full face shield when needed. We recommend a Wide Vision Safety Mask for use over eyeglasses or standard safety glasses with side shields.

SAFETY INSTRUCTIONS

This page depicts and describes safety symbols that may appear on this product. Read, understand, and follow all instructions on the machine before attempting to assemble and operate.

	Safety Alert	Precautions that involve your safety.
	Read Operator's Manual	To reduce the risk of injury, user must read and understand operator's manual before using this product.
	Beware of Sharp Blades.	Blades continue to rotate after the motor is switched off – Remove disabling device before maintenance. Switch off and remove detachable battery pack(or disabling device) before adjusting or cleaning.
	Keep Bystanders Away	Ensure that other people and pets remain at least 30m away from the mower when it is in use.
	keep feet & hand away	keep feet & hand away
	CE	This product is in accordance with applicable EC directives.
	UKCA	This product is in accordance with applicable UK legislation.
	WEEE	Waste electrical products should not be disposed of with household waste. Take to an authorized recycler.
	Noise	Guaranteed sound power level. Noise emission to the environment according to the European community's Directive.
IPX4	IP Symbol	Protection against ingress of water degree 4
V	Volt	Voltage
A	Amperes	Current
Hz	Hertz	Frequency (cycles per second)
W	Watt	Power
min	Minutes	Time
	Alternating Current	Type of current
	Direct Current	Type or a characteristic of current
n_0	No Load Speed	Rotational speed, at no load
... /min	Per Minute	Revolutions per minute

GENERAL POWER TOOL SAFETY WARNINGS

⚠ WARNING: READ ALL SAFETY WARNINGS, INSTRUCTIONS, ILLUSTRATIONS AND SPECIFICATIONS PROVIDED WITH THIS POWER TOOL. Failure to follow all instructions listed below may result in electric shock, fire and/or serious injury.

SAVE ALL WARNINGS AND INSTRUCTIONS FOR FUTURE REFERENCE.

The term "power tool" in the warnings refers to your mains-operated (corded) power tool or battery-operated (cordless) power tool.

WORK AREA SAFETY

- **Keep work area clean and well lit.** Cluttered or dark areas invite accidents.
- **Do not operate power tools in explosive atmospheres, such as in the presence of flammable liquids, gases or dust.** Power tools create sparks which may ignite the dust or fumes.
- **Keep children and bystanders away while operating a power tool.** Distractions can cause you to lose control.

ELECTRICAL SAFETY

- **Power tool plugs must match the outlet. Never modify the plug in any way. Do not use any adapter plugs with earthed (grounded) power tools.** Unmodified plugs and matching outlets will reduce risk of electric shock.
- **Avoid body contact with earthed or grounded surfaces, such as pipes, radiators, ranges and refrigerators.** There is an increased risk of electric shock if your body is earthed or grounded.
- **Do not expose power tools to rain or wet conditions.** Water entering a power tool will increase the risk of electric shock.
- **Do not abuse the cord. Never use the cord for carrying, pulling or unplugging the power tool. Keep cord away from heat, oil, sharp edges or moving parts.** Damaged or entangled cords increase the risk of electric shock.
- **When operating a power tool outdoors, use an extension cord suitable for outdoor use.** Use of a cord suitable for outdoor use reduces the risk of electric shock.

- **If operating a power tool in a damp location is unavoidable, use a residual current device (RCD) protected supply.** Use of an RCD reduces the risk of electric shock.

PERSONAL SAFETY

- **Stay alert, watch what you are doing and use common sense when operating a power tool. Do not use a power tool while you are tired or under the influence of drugs, alcohol or medication.** A moment of inattention while operating power tools may result in serious personal injury.
- **Use personal protective equipment. Always wear eye protection.** Protective equipment such as a dust mask, non-skid safety shoes, hard hat or hearing protection used for appropriate conditions will reduce personal injuries.
- **Prevent unintentional starting. Ensure the switch is in the off-position before connecting to power source and/or battery pack, picking up or carrying the tool.** Carrying power tools with your finger on the switch or energising power tools that have the switch on invites accidents.
- **Remove any adjusting key or wrench before turning the power tool on.** A wrench or a key left attached to a rotating part of the power tool may result in personal injury.
- **Do not overreach. Keep proper footing and balance at all times.** This enables better control of the power tool in unexpected situations.
- **Dress properly. Do not wear loose clothing or jewellery. Keep your hair and clothing away from moving parts.** Loose clothes, jewellery or long hair can be caught in moving parts.
- **If devices are provided for the connection of dust extraction and collection facilities, ensure these are connected and properly used.** Use of dust collection can reduce dust-related hazards.
- **Do not let familiarity gained from frequent use of tools allow you to become complacent and ignore tool safety principles.** A careless action can cause severe injury within a fraction of a second.

POWER TOOL USE AND CARE

- **Do not force the power tool. Use the correct power tool for your application.** The correct power tool will do the job better and safer at the rate for which it was designed.
- **Do not use the power tool if the switch does not turn it on and off.** Any power tool that cannot be controlled with the switch is dangerous and must be repaired.

- **Disconnect the plug from the power source and/ or remove the battery pack, if detachable, from the power tool before making any adjustments, changing accessories, or storing power tools.** Such preventive safety measures reduce the risk of starting the power tool accidentally.
- **Store idle power tools out of the reach of children and do not allow persons unfamiliar with the power tool or these instructions to operate the power tool.** Power tools are dangerous in the hands of untrained users.
- **Maintain power tools and accessories. Check for misalignment or binding of moving parts, breakage of parts and any other condition that may affect the power tool's operation. If damaged, have the power tool repaired before use.** Many accidents are caused by poorly maintained power tools.
- **Keep cutting tools sharp and clean.** Properly maintained cutting tools with sharp cutting edges are less likely to bind and are easier to control.
- **Use the power tool, accessories and tool bits etc. in accordance with these instructions, taking into account the working conditions and the work to be performed.** Use of the power tool for operations different from those intended could result in a hazardous situation.
- **Keep handles and grasping surfaces dry, clean and free from oil and grease.** Slippery handles and grasping surfaces do not allow for safe handling and control of the tool in unexpected situations.

BATTERY TOOL USE AND CARE

- **Recharge only with the charger specified by the manufacturer.** A charger that is suitable for one type of battery pack may create a risk of fire when used with another battery pack.
- **Use power tools only with specifically designated battery packs.** Use of any other battery packs may create a risk of injury and fire.
- **When battery pack is not in use, keep it away from other metal objects, like paper clips, coins, keys, nails, screws or other small metal objects, that can make a connection from one terminal to another.** Shorting the battery terminals together may cause burns or a fire.
- **Under abusive conditions, liquid may be ejected from the battery; avoid contact. If contact accidentally occurs, flush with water. If liquid contacts eyes, additionally seek medical help.** Liquid ejected from the battery may cause irritation or burns.
- **Do not use a battery pack or tool that is damaged or modified.** Damaged or modified batteries may

exhibit unpredictable behaviour resulting in fire, explosion or risk of injury.

- **Do not expose a battery pack or tool to fire or excessive temperature.** Exposure to fire or temperature above 130°C may cause explosion.
- **Follow all charging instructions and do not charge the battery pack or tool outside the temperature range specified in the instructions.** Charging improperly or at temperatures outside the specified range may damage the battery and increase the risk of fire.

SERVICE

- **Have your power tool serviced by a qualified repair person using only identical replacement parts.** This will ensure that the safety of the power tool is maintained.
- **Never service damaged battery packs.** Service of battery packs should only be performed by the manufacturer or authorized service providers

SAFETY RULES FOR CORDLESS LAWN MOWER

⚠ DANGER: This machine was built to be operated according to the rules for safe operation included in this manual. As with any type of power equipment, carelessness or error on the part of the operator can result in serious injury. This machine is capable of injuring hands and feet and throwing objects. Failure to observe all safety instructions could result in serious injury or death.

⚠ WARNING: When using cordless lawn mowers, basic safety precautions should always be followed to reduce the risk of fire, electric shock, and personal injury.

IMPORTANT

READ CAREFULLY BEFORE USE. KEEP FOR FUTURE REFERENCE.

SAFETY RULES FOR CORDLESS LAWNMOWERS:

CAUTION-DO NOT TOUCH ROTATING BLADE!

TRAINING

- Read the instructions carefully. Be familiar with the controls and the proper use of the appliance.
- Never allow people unfamiliar or children with these instructions to use the appliance. Local regulations can restrict the age of the operator.
- Never mow while people, especially children, or pets are nearby.
- The operator or user is responsible for accidents or

hazards occurring to other people or their property.

PREPARATION

- While mowing, always wear substantial footwear and long trousers.
- Do not operate the appliance when barefoot or wearing open sandals. Avoid wearing clothing that is loose fitting or that has hanging cords or ties.
- Thoroughly inspect the area where the appliance is to be used and remove all stones, sticks, wires, bones, and other foreign objects.
- Before using, always visually inspect to see that the blades, blade bolts and cutter assembly are not worn or damaged. Replace worn or damaged blades and bolts in sets to preserve balance. Replace damaged or unreadable labels.

OPERATION

- Mow only in daylight or good artificial light.
- Avoid operating the appliance in wet grass, where feasible.
- Always be sure of your footing on slopes.
- Walk, never run.
- For wheeled rotary mowers, mow across the face of slopes, never up and down.
- Exercise extreme caution when changing direction on slopes.
- Do not mow on excessively steep slopes.
- Use extreme caution when reversing or pulling the appliance towards you.
- Stop the blade(s) if the appliance has to be tilted for transportation when crossing surfaces other than grass, and when transporting the appliance to and from the area to be mowed.
- Never operate the appliance with defective guards or shields, or without safety devices, for example deflectors and/or grass catchers, in place.
- Switch on the motor according to instructions and with feet well away from the blade(s).
- Do not tilt the appliance when switching on the motor, except if the appliance has to be tilted for starting. In this case, do not tilt it more than absolutely necessary and lift only the part which is away from the operator. Always ensure that both hands are in the operating position before returning the appliance to the ground. Do not start the machine when standing in front of the discharge opening.
- Do not put hands or feet near or under rotating parts. For rotary mowers, keep clear of the discharge opening

at all times.

- Never pick up or carry an appliance while the motor is running.
- Switch off and remove detachable battery pack (or disabling device) and make sure that all moving parts have come to a complete stop before adjusting or cleaning:
 - Whenever you leave the machine;
 - Before clearing a blockage and unclogging chute;
 - Before checking, cleaning or working on the appliance;
 - After striking a foreign object. Inspect the appliance for damage and make repairs as necessary.
- If the appliance starts to vibrate abnormally (check immediately):
 - Inspect for damage;
 - Replace or repair any damaged parts;
 - Check for the tighten any loose parts.

MAINTENANCE AND STORAGE

- Be careful during adjustment of the machine to prevent entrapment of the fingers between moving blades and fixed parts of the appliance.
- Keep all nuts, bolts, and screws tight to be sure the appliance is in safe working condition.
- Check the grass catcher frequently for wear or deterioration.
- Replace worn or damaged parts for safety.
- Cleaning and user maintenance shall not be made by children without supervision.
- When servicing the blades be aware that, even though the power source is switched off, the blades can still be moved.
- For rotary mowers, ensure that only replacement cutting means of the right type are used.

PERSONAL SAFETY

Tragic accidents can occur if operator is not alert to the presence of children. Children are often attracted to the mower and mowing activity. They do not understand the dangers. Never assume that children will remain where you last saw them.

- Keep children out of the mowing area and under the watchful care of a responsible adult other than the operator.
- Be alert and turn the mower off if a child enters the area.
- Use extreme care when approaching blind corners, doorways, shrubs, trees, or other objects that may obscure your vision of a child who may run into the mower.
- Children should be supervised to ensure that they are not playing with the mower.
- Always turn the mower off when removing the battery pack

from the tool. Stop the blade(s) if the appliance has to be tilted for transportation when crossing surfaces other than grass, and when transporting the appliance to and from the area to be mowed.

OPERATION

GENERAL OPERATION:

- Read this operator's manual carefully in its entirety before attempting to assemble this machine. Read, understand, and follow all instructions on the machine and in the manuals before operation. Be completely familiar with the controls and proper use of this machine before operating it. Keep this manual in a safe place for future and regular reference and for ordering replacement parts.
- Use the right appliance – Do not use the lawn mower for any job except that for which it is intended.
- Don't overreach – Keep proper footing and balance at all times.
- Objects struck by the lawn mower blade can cause severe injuries to persons. The lawn should always be carefully examined and cleared of all objects prior to each mowing.
- Before and while moving backwards, look behind and down for small children and other people.
- This machine is not a plaything. Therefore, exercise extreme caution at all times. Your unit has been designed to perform one job: to mow grass. Do not use it for any other purpose.
- Don't force the lawn mower – it will do the job better and more safely at the rate for which it was designed.
- Before using, always visually inspect to see that the blades, blade bolts and cutter assembly are not worn or damaged. Replace worn or damaged blades and bolts and any other components at the same time to preserve balance. Replace damaged or unreadable labels.
- Use extreme caution when reversing or pulling the appliance towards you.
- Thoroughly inspect the area where the equipment is to be used. Remove all stones, sticks, wire, toys and other foreign objects that could be tripped over or picked up and thrown by the blade. Thrown objects can cause serious personal injury. Plan your mowing pattern to avoid discharge of material toward roads, sidewalks, bystanders and the like. Also, avoid discharging material against walls or obstructions, which may cause discharged material to ricochet back toward the operator.
- To help avoid blade contact or an injury from thrown objects, stay in the operator zone behind the handles and keep children, bystanders, helpers and pets at least 30m from the mower while it is in operation. Stop the machine if anyone enters the area.
- Always wear safety glasses or safety goggles during operation and while performing an adjustment or repair to protect your eyes. Thrown objects that ricochet can cause serious injury to the eyes. Always use a face or dust mask if the operation is dusty.
- Dress properly – Do not wear loose clothing or jewelry. They can be caught in moving parts. Use of rubber gloves and footwear is recommended when working outdoors. Wear sturdy, rough-soled work shoes and close-fitting trousers and shirts. Shirts and trousers that cover the arms and legs and steel-toed shoes are recommended. Never operate this machine in bare feet, sandals, slippery or lightweight (e.g., canvas) shoes.
- Do not put hands or feet near rotating parts or under the cutting deck. Contact with the blade can injure hands and feet.
- A missing or damaged discharge cover can cause blade contact or injuries from thrown objects.
- Many injuries occur as a result of the mower being pulled over the foot during a fall caused by slipping or tripping. Do not hold onto the mower if you are falling, release the handle immediately.
- Never pull the mower back toward you while you are walking. If you must back the mower away from a wall or obstruction first look down and behind to avoid tripping and then following these steps:
 - Step back from mower to fully extend your arms.
 - Be sure you are well balanced with sure footing.
 - Pull the mower back slowly, no more than half way toward you.
 - Repeat these steps as needed.
- Do not operate the mower while under the influence of alcohol or drugs.
- Stay alert – watch what you are doing. Use common sense. Do not operate the lawn mower when you are tired.
- The motor/blade control handle is a safety device. Never attempt to bypass its operation. Doing so makes the safety device inoperative and may result in personal injury through contact with the rotating blade. The motor/blade control handle must operate easily in both directions and automatically return to the disengaged position when released.
- Avoid dangerous environments – Don't use lawn mowers in damp or wet locations.
- Don't use in rain.
- Always be sure of your footing. A slip and fall can cause serious personal injury. If you feel you are losing your footing, release the motor/blade control handle

immediately and the blade will stop rotating within three seconds.

- Stop the blade when crossing gravel drives, walks or roads.
- If the equipment should start to vibrate abnormally, stop the motor and check immediately for the cause. Vibration is generally a warning of trouble.
 - Inspect for damage;
 - Replace or repair any user replaceable damaged parts;
 - Check for and tighten any loose parts.
 - Never operate the mower without the proper trailing shield, discharge cover, grass bag, mulching insert, side discharge chute, motor/blade control handle or other safety protective devices in place and working. Never operate the mower with damaged safety devices. Failure to do so can result in personal injury.
- If situations occur that are not covered in this manual, use care and good judgment. Contact EGO Customer Service for assistance.
- The battery pack must be removed from the appliance before it is scrapped.
- The battery shall be disposed of safely.

OPERATION ON A SLOPE:

Slopes are a major factor related to slip-and-fall accidents, which can result in severe injury. Always be sure of your footing on slopes. Operation on slopes requires extra caution. If you feel uneasy on a slope, do not mow it.

Do:

- Mow across the face of slopes; never mow up and down. Exercise extreme caution when changing direction on slopes.
- Watch for holes, ruts, rocks, hidden objects, or bumps which can cause you to slip or trip. Tall grass can hide obstacles.

Do not:

- Do not mow near drop-offs, ditches or embankments; you could lose your footing or balance.
- Do not mow slopes greater than 15 degrees.
- Do not mow on wet grass. Unstable footing could cause slipping.

SERVICE

⚠ WARNING: Grass bag components, the discharge cover, side discharge chute, mulching insert and trailing shield are subject to wear and damage, which could expose moving parts or allow objects to be thrown and could increase the risk of injury. For safety protection, frequently check all components and replace damaged components

immediately with identical replacement parts, listed in this manual. Contact EGO Customer Service or your closest EGO service center, and repairs or replacements shall be performed by a qualified service technician!

- If the mower's built-in overload protection switch frequently trips, contact EGO Customer Service or your closest EGO service center.
- Do not wash the mower with a hose; avoid getting water in the motor and electrical connections.
- Remove the key and store the idle lawn mower indoors when not in use. Allow the motor to cool before storing it in any enclosure. The lawn mower should be stored in a dry, high, or locked-up enclosure, out of reach of children.
- When servicing, use only identical replacement parts listed in this manual. Use of parts that do not meet the original equipment specifications may lead to improper performance and compromised safety.
- Remove or disconnect the battery pack before servicing, cleaning, or removing material from the lawn mower.
- Follow instructions for changing accessories.
- Keep handles dry, clean and free from oil and grease.
- To reduce a fire hazard, keep the motor cover free of grass, leaves and debris build-up.
- Check the blade and motor mounting bolts at frequent intervals for proper tightness. Also, visually inspect the blade for damage (e.g., bending, cracking and wear). Replace the blade only with the identical replacement blade, listed in this manual.
- Maintain your mower with care – keep the mower blade sharp and clean for the best and safest performance. Mower blades are sharp and can cut. Wrap the blade or wear gloves and use extra caution when servicing it.
- Never remove or tamper with safety devices. Regularly check their proper operation. Never do anything to interfere with the intended function of a safety device or to reduce the protection provided by a safety device.
- Always stop the motor before making adjustments to a wheel or a cutting-height adjustment.
- After striking a foreign object, stop the motor, remove the key, and thoroughly inspect the mower for any damage. Repair the damage before operating the mower.
- Maintain or replace safety and instruction labels, as necessary. Contact EGO Customer Service or your closest EGO service center, and repairs or replacements shall be performed by a qualified service technician!

- **SAVE THESE INSTRUCTIONS.** Refer to them frequently and use them to instruct others who may use this tool. If you lend this tool to someone else, also lend these instructions to them to prevent misuse of the product and possibly injury.

BATTERY USE AND CARE

- To preserve natural resources, please recycle or dispose of batteries properly. This product contains lithium-ion batteries. Local or national laws prohibit disposal of lithium-ion batteries in ordinary rubbish. Consult your local waste authority for information regarding available recycling and/or disposal options.
- Upon removal of the battery pack for disposal or recycling, cover the battery pack's terminals with heavy-duty adhesive tape. Do not attempt to destroy or disassemble the battery pack or remove any of its components. Lithium-ion batteries, must be recycled or disposed of properly. Also, never touch the terminals with metal objects and/or body parts as a short circuit may result. Keep away from children. Failure to comply with these warnings could result in fire and/or serious injury.
- **UNDER ABUSIVE CONDITIONS, LIQUID MAY BE EJECTED FROM THE BATTERY; AVOID CONTACT. IF CONTACT ACCIDENTALLY OCCURS, FLUSH WITH WATER. IF LIQUID CONTACTS EYES, ADDITIONALLY SEEK MEDICAL HELP.** Liquid ejected from the battery may cause irritation or burns.

SPECIFICATIONS

Model Number	LM2020E	LM2020E-SP
Self Propel System	No	Yes
Voltage	56 V	56 V
No-Load Speed	3000 /min	3000 /min
Cutting Height	25-95 mm	25-95 mm
Anbefalt driftstemperatur	0°C-40°C	0°C-40°C
Anbefalt lagringstemperatur	-20°C-70°C	-20°C-70°C
Cutting Height Positions	6	6
Deck Size	51 cm	51 cm
Cutting Width	50 cm	50 cm
Grass Bag Volume	60 L	60 L
Mower Weight (Without battery pack, mulching insert)	24.4 kg	27.2 kg
Blade Model	AB2001	AB2001

Measured sound power level L_{WA}	91.5 dB(A) K=1.80 dB(A)	91.0 dB(A) K=1.89 dB(A)	
Sound pressure level at operator's ear L_{PA} K=3 dB(A)	79.5 dB(A)	79.2 dB(A)	
Guaranteed sound power level L_{WA} (according to 2000/14/EC)	93 dB(A)	93 dB(A)	
Valuation of vibration a_h K=1.5 m/s ²	Left handle	≤2.5 m/s ²	≤2.5 m/s ²
	Right handle	≤2.5 m/s ²	≤2.5 m/s ²
Blade brake	YES	YES	

- The declared vibration total value has been measured in accordance with a standard test method and may be used for comparing one tool with another;
- The declared vibration total value may also be used in a preliminary assessment of exposure.

NOTICE: The vibration emission during actual use of the power tool can differ from the declared value in which the tool is used; In order to protect the operator, user should wear gloves and ear protectors in the actual conditions of use.

PACKING LIST

PART NAME	QUANTITY
Lawn mower	1
Grass bag	1
Grass bag frame	1
Mulching insert	1
Side-discharge chute	1
Safety key	1
Operator's manual	1

DESCRIPTION

KNOW YOUR MOWER (Fig. A & B & C & D & E)

- 1 Bail switch (Switch Lever)
- 2 Handle
- 3 Safety Button
- 4 Self-Propel Trigger
- 5 Handle-Locking Clamp
- 6 Grass Bag
- 7 Cutting-Height Adjustment Lever

- 8 Rear Wheel
- 9 Side-Discharge Door
- 10 Mower Deck
- 11 Deck Cover
- 12 Front Wheel
- 13 LED Headlights
- 14 Battery-Pack Cover
- 15 Rear Handle
- 16 Quick-Adjust Lever
- 17 Rear-Discharge Door
- 18 Side Rail
- 19 Self-Propel Speed-Control Lever
- 20 Trailing Shield
- 21 Power Indicator
- 22 Switch Button for LED Headlights
- 23 Battery-Release Button
- 24 Safety Key Slot
- 25 Mulching Insert
- 26 Side Discharge Chute

OPERATION

ASSEMBLING THE GRASS BAG

- 1) Slide the grass bag onto the frame (Fig. F).
- 2) Assemble the top clips to the frame (Fig. G). Then assemble the two side clips. Assemble the bottom clip lastly.
- 3) The completely assembled grass bag is shown in Fig. H.

ADJUSTING THE FOLDABLE HANDLE

⚠ WARNING: Do not attempt to start the mower until the handle has been locked at one of the three preset operating positions (UPPER OPERATING POSITION, MIDDLE OPERATING POSITION and LOWER OPERATING POSITION).

Your mower is shipped with the handle in the compact, LOCKED STORAGE POSITION (Fig. I).

- 1) Pull out the two quick-adjust knobs and turn 90° to release the handle from the LOCKED STORAGE POSITION.
- 2) Lift the handle from its folded position, then release the lever. Gently pivot the handle upward until you hear and feel the lock pin engage in one of the following different positions as shown in the Fig. J.

Fig. J parts description see below:

J-1	Locked Storage Position
J-2	Grass Bag Attachment/ Removal Position
J-3	Upper Operating Position
J-4	Middle Operating Position
J-5	Lower Operating Position

ATTACHING/REMOVING THE GRASS BAG/ MULCHING INSERT/SIDE DISCHARGE CHUTE

⚠ WARNING: Do not at any time make any adjustment to the lawn mower without first stopping the motor, removing the safety key and waiting for the blade to stop rotating.

NOTICE: Attach any of the attachments to the lawn mower before mowing.

■ To Attach/Remove the Grass Bag (Fig. K)

Adjust the handle to the suitable operating position. Lift the rear-discharge door and hook the grass bag onto the pivot rod. To remove, just lift the grass bag up, off of the pivot rod. Lastly, release the rear-discharge door.

NOTICE: Remove the pre-installed mulching insert from the mower before attaching the grass bag to the mower.

■ To Attach/Remove the Mulching Insert (Fig. L)

Lift the rear-discharge door and insert the mulching insert into the mower. To remove, just pull it out. Lastly, release the rear-discharge door.

■ To Attach/Remove the Side Discharge Chute (Fig. M)

Lift the side-discharge door. Align the slot of the discharge chute with the knob of the discharge door and release the side-discharge door gently to make it rotate around the pivot rod until it rests on the discharge chute firmly. To remove, lift the side-discharge door, lift the side-discharge chute up, off the assembly knob of the door.

Fig. M parts description see below:

M-1	Side-discharge Door
M-2	Assembly Knob
M-3	Assembly Slot
M-4	Side-discharge Chute
M-5	Pivot

NOTICE: The mulching insert must be installed when the side discharge chute is attached.

ADJUSTING THE CUTTING HEIGHT (Fig. N)

⚠ WARNING: Keep your feet away from the deck when adjusting its height. The mower can be set to 6 cutting heights between 25mm and 95mm. Choose the proper cutting height according to the type and condition of the grass.

NOTICE: When moving the tool, make sure the cutting height is adjusted at the position of 3 or higher. Failure to do so, could result in the damage of the blade.

ATTACHING/DETACHING THE BATTERY PACK (Fig. 0)

USE ONLY WITH THE BATTERY PACKS AND CHARGERS LISTED IN FIG.A

CHARGE BEFORE FIRST USE.

⚠ WARNING: If any parts are broken or missing, do not attempt to attach the battery pack to the mower or operate the mower until the broken or missing parts are replaced. Failure to do so could result in serious injury.

■ **To Attach**

Push the battery pack into the battery compartment until you hear a “click”.

■ **To Detach**

Depress the battery-release button in the battery compartment.

Fig. 0 parts description see below:

0-1	Safety Key Slot
0-2	Safety Key
0-3	Battery-release Button

NOTICE: Make sure that the latch on the mower snaps into place and that the battery pack is secured to the mower before starting operation.

STARTING/STOPPING THE MOWER

⚠ WARNING: The operation of any lawn mower can result in foreign objects being thrown into your or others’ eyes, which can damage eyes severely. Always wear safety glasses while operating the mower or while performing any adjustments or repairs on the mower.

⚠ WARNING: Ensure that other people and pets remain at least 30m away from the mower when it is in use.

⚠ WARNING: The blade will continue to rotate for a few seconds after the mower is turned off. Allow the motor/blade to stop rotating before starting it again. Do not rapidly turn the mower off and on.

SAFETY KEY

In order to prevent accidental start-up or unauthorized use of your cordless mower, a removable safety key has been incorporated into the design of your mower. The mower will be completely disabled when the safety key has been removed from the mower.

⚠ DANGER: Rotating blades can cause serious injury. To prevent serious injury, remove the safety key when the mower is unattended, or when adjusting, cleaning, servicing, transporting, lifting, or storing the mower.

NOTICE: The motor cannot be started unless:

- The handle is locked into one of the three operating positions, see ADJUSTING THE FOLDABLE HANDLE.
- The side rails are fully extended (Fig. P).
- Both green handle-locking clamps are securely closed (Fig. Q).

Q-1	Indication Line
-----	-----------------

⚠ CAUTION: Do not attempt to override the operation of the safety button and bail switch.

To Start

- 1) Attach the battery pack to the mower, insert the safety key into the key slot and close the battery cover (Fig. 0).
- 2) According to Fig. R, depress the safety button down.
- 3) With the switch button depressed, pull the bail switch upward to the handle and release the safety button (Fig. S).

To Stop

- 1) Fully release the bail switch.
- 2) The electric brake in the Automatic Braking Mechanism will stop the blade rotation within 3 seconds of the bail switch release.

VARIABLE-SPEED SELF-PROPEL SYSTEM (only model LM2020E-SP)

LM2020E-SP mower is equipped with variable-speed self-propel capability. This system is independent of the blade On-Off switch; it is not dependent on blade rotation.

To operate the system without blade rotation, pull the self-propel trigger to the handle.

To turn the self propel off, release the self-propel trigger.

The system has variable speed. To increase the speed, move the self-propel speed-control lever forwards. To decrease the speed, move the self-propel speed-control lever backwards (Fig. T).

To operate with the blade rotating for cutting:

1. Start the mower.
2. While holding the bail switch against the handle with left hand, pull the self-propel trigger to the handle with your right hand.

- Hold both the bail switch and the self-propel trigger simultaneously against the handle with your right hand and use your left hand to adjust the self-propel speed-control lever to choose a proper speed.

⚠ WARNING: To reduce the risk of injury, never attempt to override the operation of the switch or self propel system. Use the self propel for its intended purpose only.

LED HEADLIGHTS (Fig. A-13)

Press the switch button (Fig. C-22) to turn on/off the LED headlights in the front of the battery compartment.

POWER INDICATOR ON THE MOWER (Fig. U)

The mower is equipped with a power indicator to indicate the charge level of the battery pack and the working status of the mower. The power indicator will illuminate when the blade is rotating or when the LED headlights are turned on.

Power Indicator on Mower	Meaning	Action
Shining green	Mower is working properly; battery has at least 15% of its charge	N/A
Shining red	Low battery	Stop the mower and charge the battery pack
Flashing red	The battery is nearly depleted	Stop the mower and charge the battery pack
Shining orange	The mower or the battery pack is overheated	Remove the battery from the mower, move them to the shade and cool them at least 15 minutes
Flashing orange	The mower is overloaded	Slow down your pace or raise up the cut height to decrease the load

MOWER OVERLOAD PROTECTION

To prevent overload conditions, do not try to remove too much grass at one time. Slow down your cutting pace or raise the cut height.

Your mower has built-in overload circuit protection. When the mower is overloaded, the motor will stop and the power indicator on the mower will flash orange. Remove the battery pack from the mower. Check to see if grass has collected beneath the deck and clear it if necessary, then install the battery and restart the mower.

BATTERY HIGH TEMPERATURE PROTECTION

The battery pack will generate heat during operation. The

heat dissipates more slowly in hot weather. If the battery temperature exceeds 70°C during operation, the protection circuit will immediately turn off the mower to protect the battery pack from damage. The power indicator on the mower will shine orange and the LED on the battery will flash orange. Release the bail handle, wait until the battery pack cools down to approximately 67°C, then restart the mower.

MAINTENANCE

⚠ WARNING: To avoid serious personal injury, always remove the safety key and battery pack from the mower before cleaning or performing any maintenance.

⚠ WARNING: When servicing, use only identical replacement parts. Use of any other parts may create a hazard or cause product damage. To ensure safety and reliability, all repairs should be performed by a qualified service technician.

CLEANING THE MOWER

⚠ WARNING: Always remove the safety key and battery pack when servicing or transporting the mower.

The underside of mower deck should be cleaned after each use, as grass clippings, leaves, dirt and other debris will accumulate. This accumulation is undesirable, as it will promote rust and corrosion on metal parts and reduce the cutting efficiency of the mower.

Remove any build-up of grass and leaves on or around the drive shaft (LM2020E-SP) and the motor fan (do not use water). Wipe the mower clean with a damp cloth.

REMOVING/INSTALLING THE BLADE

⚠ WARNING: Always protect your hands by wearing heavy gloves or wrapping the cutting edges with rags or other materials when performing any maintenance on the mower blade.

■ To Remove the Blade (Fig. W)

NOTICE: If the bolt rotates with the motor shaft when loosening the bolt, turn the fan by hand to align the through holes in the fan with the holes in the blade, and place another metal rod into the aligned holes.

■ To Install the Blade

Following the assembly sequence in Fig. V, with the fan blade towards deck and the printed blade side towards outside, align the through holes in the fan with the holes in the blade (Fig. X) and then tighten the blade as Fig. X shown.

Fig. V & W parts description see below:

V-1	Fan	V-5	Bolt
V-2	Inner Flange	W-1	Stabilizer 1
V-3	Blade	W-2	Stabilizer 2
V-4	Outer Flange	W-3	14mm Wrench

NOTICE: The recommended torque for tightening the blade bolt is 49-59Nm.

STORING THE MOWER

- Remove the battery pack from the mower and store it in a cool, dry and clean location. Do not store it next to corrosive materials, such as fertilizer or rock salt.
- Store the mower in a covered, enclosed space, that is cool and dry and out of the reach of children.
- Do not cover the lawn mower with a solid plastic sheet. Plastic coverings trap moisture around the mower, which causes rust and corrosion.
- The mower can be stored upright or flat (Fig. Z).

⚠ WARNING: If the mower begins to tip over from the upright position, mower damage or personal injury may result. Always keep the mower stable and out of the reach of children when it is in the upright position. If possible, lay it flat for storage.

Protecting the environment



Do not dispose of electrical equipment, battery charger and batteries/rechargeable batteries into household waste!

According to the European law 2012/19/EU, electrical and electronic equipment that is no longer usable, and according to the European law 2006/66/EC, defective or used battery packs/batteries, must be collected separately.

If electrical appliances are disposed of in landfills or dumps, hazardous substances can leak into the groundwater and get into the food chain, damaging your health and well-being.

TROUBLESHOOTING

EN

⚠ WARNING: Always remove the safety key and battery pack when servicing or transporting the mower. Always protect your hands by wearing heavy gloves or wrapping the cutting edges with rags or other materials when performing any maintenance on the mower blade.

PROBLEM	CAUSE	SOLUTION
The mower fails to start	<ul style="list-style-type: none"> ■ The battery pack is depleted. ■ The battery pack is not mounted in place in the battery compartment. ■ The battery or mower circuitry is too hot. (The power indicator on the mower will illuminate in orange for 10 seconds) ■ The side rails are not extended to their maximum length and the clamps are not locked in position. ■ The handle is not set at one of the three operating positions. ■ The mower deck is clogged with grass and debris. 	<ul style="list-style-type: none"> ■ Charge the battery pack. ■ Attach the battery pack to the mower; press it until you hear a click. ■ Allow the battery pack or mower to cool until the temperature drops below 67°C. ■ Fully extend the handle and lock both clamps. ■ Adjust the handle to one of the three operating positions. ■ Clean the mower deck and make certain that the blade has freedom of movement.
The mower cuts unevenly	<ul style="list-style-type: none"> ■ The blade is dull. ■ The cutting height is not set properly. ■ The blade is assembled incorrectly. 	<ul style="list-style-type: none"> ■ Sharpen or replace the blade. ■ Raise the deck to a higher cutting height setting. ■ Reassemble the blade, following the section "INSTALLING THE BLADE" in this manual.
The mower stops while mowing	<ul style="list-style-type: none"> ■ The battery pack is depleted. ■ Mower is in overload condition. ■ Mower deck is clogged with grass and debris. ■ The battery or mower circuitry is too hot. (The power indicator on the mower will illuminate orange for 10 seconds.) ■ The side rail is retracted a little by the pushing force applying on the handle. 	<ul style="list-style-type: none"> ■ Charge the battery pack. ■ Raise the cutting height or slow down the mowing. ■ Unclog the mower deck. Raise the cutting height, or cut a narrow swath. ■ Allow the battery pack or mower to cool until the temperature drops below 67°C. ■ Unlock the clamps. Fully extend the side rails and lock the clamps again.

**EN**

PROBLEM	CAUSE	SOLUTION
The mower does not mulch properly	<ul style="list-style-type: none">■ Wet grass clippings are sticking to the underside of the deck.■ The mower is set to cut too much grass at once.	<ul style="list-style-type: none">■ Wait until the grass dries before mowing.■ Raise the deck to a higher cutting height setting.
There is excessive vibration	<ul style="list-style-type: none">■ The cutting blade is loose.■ The cutting blade is unbalanced.■ The cutting blade is bent.■ The motor shaft is bent.	<ul style="list-style-type: none">■ Tighten the blade bolt.■ Balance the blade following the instructions.■ Replace the blade.■ Contact the service center.
The handle locking clamps cannot be closed in position.	<ul style="list-style-type: none">■ The side rails are not fully extended.	<ul style="list-style-type: none">■ Fully extend the side rails, then lock the clamps.

WARRANTY

EGO WARRANTY POLICY

Please visit the website egopowerplus.com for full terms and conditions of the EGO Warranty policy.

LESEN SIE ALLE ANWEISUNGEN!



LESEN SIE DIE BEDIENUNGSANLEITUNG

! WARNUNG: Um die Sicherheit und Zuverlässigkeit zu gewährleisten, sollten alle Reparaturen und der Austausch von Teilen nur von qualifizierten Servicetechnikern durchgeführt werden.

Bestimmungsgemäße Verwendung &

Zweckentfremdung: Das Gerät ist nur für das Mähen von Gras in Privatgärten vorgesehen. Es darf nicht zum Mähen von ungewöhnlich hohem, trockenem oder feuchtem Gras wie beispielsweise Weidegras oder zum Zerkleinern von Blättern eingesetzt werden. Das Gerät darf nur für den dafür vorgesehenen Zweck eingesetzt werden. Jeder andere Geräteeinsatz gilt als Zweckentfremdung.

SICHERHEITSSYMBOL

Der Zweck von Warnsymbolen besteht darin, Ihre Aufmerksamkeit auf mögliche Gefahren zu lenken. Die Warnsymbole und deren Erklärungen verdienen Ihre vollste Aufmerksamkeit und Beachtung. Durch die Warnsymbole allein sind die Gefahren noch nicht ausgeschaltet. Die Anweisungen und Warnhinweise stellen keinen Ersatz für angemessene Unfallverhütungsmaßnahmen dar.

! WARNUNG: Achten Sie darauf, dass Sie, bevor Sie das Gerät benutzen, alle Sicherheitsanweisungen dieser Bedienungsanleitung gelesen und verstanden haben, einschließlich aller Gefahrenzeichen wie „**VORSICHT**“, „**WARNUNG**“ und „**ACHTUNG**“. Die Nichtbeachtung der unten angeführten Anweisungen kann zu Stromschlägen, Feuer und/oder schweren Personenschäden führen.

SYMBOLBEDEUTUNG

SYMBOL FÜR SICHERHEITSWARNUNGEN: Weist auf **GEFAHR**, eine **WARNUNG** oder **VORSICHT** hin. Kann zusammen mit anderen Symbolen oder Bildern verwendet werden.




! WARNUNG: Die Bedienung von Elektrogeräten kann dazu führen, dass Fremdkörper in Ihre Augen geschleudert werden und Sie dadurch schwerwiegende Augenschäden davontragen. Tragen Sie immer eine Schutzbrille, wenn möglich mit Seitenschutz, oder, falls nötig, einen vollen Gesichtsschutz, bevor Sie Arbeiten mit dem Elektrowerkzeug verrichten. Wir empfehlen Ihnen, einen Gesichtsschutz über Ihrer eigenen Brille oder eine herkömmliche Schutzbrille mit Seitenschutz zu tragen.

SICHERHEITSHINWEISE

Auf dieser Seite werden die Warnsymbole vorgestellt und beschrieben, die sich unter Umständen an dem Gerät befinden. Vor dem Zusammenbau und der Inbetriebnahme müssen sämtliche Anweisungen am Gerät gelesen und genau befolgt werden.

DE

	Sicherheitswarnung	Vorsichtsmaßnahmen zu Ihrer Sicherheit
	Bedienungsanleitung lesen	Um das Verletzungsrisiko zu verringern, muss der Benutzer die Bedienungsanleitung vor der Benutzung des Gerätes gelesen und verstanden haben.
	Vorsicht - scharfe Messer	Die Messer rotieren nach dem Ausschalten des Motors weiter. Vor Wartungsarbeiten muss die Deaktivierungsvorrichtung entfernt werden. Schalten Sie das Gerät aus und nehmen Sie den abnehmbaren Akku (oder die Deaktivierungsvorrichtung) ab, bevor Sie Einstellungen vornehmen oder das Gerät reinigen.
	Unbefugte Personen fernhalten	Stellen Sie sicher, dass andere Personen und Haustiere mindestens 30m vom Rasenmäher entfernt sind, wenn er in Betrieb ist.
	Füße und Hände fernhalten	Füße und Hände fernhalten
	CE	Dieses Produkt erfüllt die anwendbaren EG-Richtlinien.
	UKCA	Dieses Produkt entspricht den geltenden Vorschriften des Vereinigten Königreichs.
	WEEE	Elektro- und Elektronik-Altgeräte dürfen nicht im Hausmüll entsorgt werden. Bringen Sie das Gerät zu einem zugelassenen Recyclinghof.

	Geräusch	Garantierter Schalleistungspegel Geräuschemission an die Umgebung gemäß Richtlinie der Europäischen Gemeinschaft
IPX4	IP-Symbol	Grad-4-Schutz gegen das Eindringen von Wasser
V	Volt	Spannung
A	Ampere	Strom
Hz	Hertz	Frequenz
W	Watt	Leistung
min	Minuten	Zeit
	Wechselstrom	Stromzufuhr
	Gleichstrom	Art oder Eigenschaft der Stromzufuhr
n_0	Leerlaufdrehzahl	Drehzahl im Leerlauf
... /min	pro Minute	Umdrehungen pro Minute

- **Halten Sie Schaulustige und Kinder beim Arbeiten mit dem Elektrowerkzeug fern.** Ablenkungen können dazu führen, dass Sie die Kontrolle verlieren.

ELEKTRISCHE SICHERHEIT

- **Die Netzstecker der Elektrowerkzeuge müssen in die Steckdosen passen. Der Netzstecker darf unter keinen Umständen modifiziert werden. Verwenden Sie keine Adapterstecker an geerdeten Elektrowerkzeugen.** Die Stromschlaggefahr verringert sich erheblich, wenn die Netzstecker und die passenden Steckdosen nicht verändert werden.
- **Vermeiden Sie den Körperkontakt zu geerdeten Flächen wie zum Beispiel Rohrleitungen, Heizkörpern, Herden und Kühlschränken.** Es besteht erhöhte Stromschlaggefahr, wenn Ihr Körper geerdet ist.
- **Schützen Sie Elektrowerkzeuge vor Regen oder feuchten Bedingungen.** Wenn Wasser in das Elektrowerkzeug eindringt, besteht erhöhte Stromschlaggefahr.
- **Das Kabel darf nicht zweckentfremdet werden. Das Netzkabel darf nicht zum Tragen, Ziehen oder Herausziehen des Elektrowerkzeugs aus der Steckdose verwendet werden. Das Netzkabel muss vor Hitze, Öl, scharfen Kanten oder beweglichen Teilen ferngehalten werden.** Durch beschädigte oder verknotete Kabel besteht erhöhte Stromschlaggefahr.
- **Wenn Sie ein Elektrowerkzeug im Freien benutzen, verwenden Sie ein Verlängerungskabel, das für den Gebrauch im Freien geeignet ist.** Die Stromschlaggefahr verringert sich bei Gebrauch eines Netzkabels, das für den Einsatz im Freien geeignet ist.
- **Wenn der Gebrauch eines Elektrowerkzeuges an einem feuchten Ort unvermeidbar ist, benutzen Sie eine durch eine Fehlerstromschutzeinrichtung (FI-Schalter) geschützte Stromquelle.** Die Verwendung einer Fehlerstromschutzeinrichtung reduziert die Stromschlaggefahr.

ALLGEMEINE SICHERHEITSHINWEISE ZU ELEKTROWERKZEUGEN

⚠️ WARNUNG: BEACHTEN SIE ALLE WARNHINWEISE, ANLEITUNGEN, ABBILDUNGEN UND TECHNISCHEN DATEN, DIE DIESEM ELEKTROWERKZEUG BEIGEFÜGT SIND. Die Nichtbeachtung aller unten aufgeführter Anweisungen kann zu Stromschlägen, Feuer und/oder schweren Verletzungen führen.

BEWAHREN SIE ALLE WARN- UND BEDIENHINWEISE FÜR NACHSCHLAGEZWECKE AUF.

Unter den Begriff „Elektrowerkzeug“ in den Warnhinweisen fallen netzbetriebene (d. h. schnurgebundene) oder akkubetriebene (d.h. schnurlose) Elektrowerkzeuge.

SICHERHEIT IM ARBEITSBEREICH

- **Halten Sie den Arbeitsbereich stets sauber und gut beleuchtet.** Nicht aufgeräumte oder dunkle Bereiche können Unfälle provozieren.
- **Verwenden Sie Elektrowerkzeuge nicht in explosionsgefährdeten Umgebungen wie z. B. in Gegenwart von entzündlichen Flüssigkeiten, Gasen oder Staub.** Elektrowerkzeuge erzeugen Funken, die Staub oder Dämpfe entzünden können.

PERSONENSICHERHEIT

- **Seien Sie wachsam, geben Sie darauf Acht, was Sie tun, und benutzen Sie Ihren gesunden Menschenverstand, wenn Sie ein Elektrowerkzeug verwenden.** Betreiben Sie das Gerät nicht, wenn Sie müde sind oder unter dem Einfluss von Drogen, Alkohol oder Medikamenten stehen. Ein Moment der Unachtsamkeit kann beim Gebrauch eines Elektrowerkzeugs zu ernsthaften Verletzungen führen.
- **Tragen Sie eine persönliche Schutzausrüstung. Tragen Sie immer einen Augenschutz.** Durch eine für die jeweiligen Bedingungen geeignete Schutzausrüstung wie etwa eine Staubschutzmaske,

rutschfeste Schuhe, Helm oder Gehörschutz lässt sich die Verletzungsgefahr verringern.

- **Ungewollten Anlauf verhindern. Vor dem Anschließen an eine Steckdose und/oder einen Akku und vor dem Aufheben oder Transportieren des Werkzeugs immer kontrollieren, ob der Hauptschalter in ausgeschalteter Position ist.** Unfälle sind vorprogrammiert, wenn Sie Elektrowerkzeuge mit einem Finger am Betriebsschalter tragen oder Elektrowerkzeuge mit eingeschaltetem Betriebsschalter an eine Steckdose anschließen.
- **Entfernen Sie alle Einstellschlüssel oder Schraubenschlüssel, bevor Sie das Elektrowerkzeug einschalten.** Ein Schraubenschlüssel oder ein Schlüssel, der noch an einem beweglichen Teil des Elektrowerkzeuges befestigt ist, kann zu Verletzungen führen.
- **Nicht überstrecken.** Achten Sie stets auf einen festen Stand und halten Sie das Gleichgewicht. Dies ermöglicht eine bessere Kontrolle über das Elektrowerkzeug in unerwarteten Situationen.
- **Tragen Sie angemessene Kleidung. Tragen Sie keine weite Kleidung oder Schmuck. Halten Sie Ihr Haar, Ihre Kleidung und Handschuhe von den beweglichen Teilen fern.** Weite Kleidung, Schmuck oder langes Haar können sich in den beweglichen Teilen verfangen.
- **Wenn Komponenten zum Anschluss an eine Absauganlage und an Auffangvorrichtungen mitgeliefert werden, achten Sie darauf, dass diese ordnungsgemäß befestigt und benutzt werden.** Durch eine Staubabsaugvorrichtung lassen sich Gefahrenquellen durch Staub ausschalten.
- **Lassen Sie sich nicht durch die aufgrund häufiger Benutzung entstandene Vertrautheit mit Werkzeugen dazu verleiten, unachtsam zu werden und die für Werkzeuge geltenden Sicherheitsgrundsätze zu ignorieren.** Eine fahrlässige Handlung kann bereits im Bruchteil einer Sekunde zu schweren Verletzungen führen.

GEBRAUCH UND PFLEGE DES ELEKTROWERKZEUGS

- **Üben Sie keinen übermäßigen Druck auf das Elektrowerkzeug aus. Verwenden Sie ein geeignetes Elektrowerkzeug für die jeweiligen Arbeiten.** Durch das passende Elektrowerkzeug lassen sich die Arbeiten besser und sicherer in dem jeweils vorgesehenen Tempo erledigen.
- **Verwenden Sie das Elektrowerkzeug nicht, wenn sich der Schalter nicht ein- und ausschalten lässt.**

Ein Elektrowerkzeug, das sich über den Schalter nicht betätigen lässt, ist gefährlich und muss repariert werden.

- **Ziehen Sie den Netzstecker aus der Steckdose bzw. nehmen Sie den Akku vom Elektrowerkzeug ab, bevor Sie Einstellungen vornehmen, das Zubehör wechseln oder das Elektrowerkzeug verstauen.** Solche vorsorglichen Sicherheitsmaßnahmen verringern die Gefahr, dass sich das Elektrowerkzeug unbeabsichtigt einschaltet.
- **Bewahren Sie nicht benutzte Elektrowerkzeuge außerhalb der Reichweite von Kindern auf und verbieten Sie Personen die Gerätebenutzung, die das Elektrowerkzeug oder diese Anweisungen nicht kennen.** In den Händen ungeübter Benutzer stellen Elektrowerkzeuge eine große Gefahr dar.
- **Warten Sie Elektrowerkzeuge und Zubehörteile. Achten Sie auf falsch ausgerichtete oder fest sitzende bewegliche Teile, Bruchstellen und sonstige Umstände, die die Funktion des Elektrowerkzeuges beeinträchtigen können. Lassen Sie beschädigte Elektrowerkzeuge reparieren, bevor Sie sie wieder einsetzen.** Viele Unfälle entstehen durch schlecht gewartete Elektrowerkzeuge.
- **Halten Sie Schneidwerkzeuge scharf und sauber.** Sachgemäß gewartete Schneidwerkzeuge mit scharfen Schneiden neigen weniger zum Festfahren und sind leichter zu kontrollieren.
- **Benutzen Sie das Elektrowerkzeug, Zubehör, Werkzeuteile usw. gemäß diesen Anweisungen und berücksichtigen Sie dabei die Arbeitsbedingungen und die auszuführende Arbeit.** Die Verwendung des Elektrowerkzeugs für Aufgaben, die von seinem bestimmungsgemäßen Zweck abweichen, können zu gefährlichen Situationen führen.
- **Halten Sie die Griffe und Griffflächen trocken, sauber und frei von Öl und Fett.** Schmierige Griffe und Griffflächen ermöglichen keinen sicheren Betrieb und/oder können zum Kontrollverlust über das Werkzeug führen.

BENUTZUNG UND PFLEGE VON AKKUGERÄTEN

- **Laden Sie den Akku nur mit dem vom Hersteller angegebenen Ladegerät auf.** Ein Ladegerät, das für einen bestimmten Akkutyp geeignet ist, kann bei der Benutzung eines anderen Akkus zu einer Brandgefahr werden.
- **Benutzen Sie für die Elektrowerkzeuge nur die**

- jeweils zugehörigen Akkus. Durch die Verwendung anderer Akkus besteht Verletzungs- und Brandgefahr.
- **Wenn der Akku nicht benutzt wird, halten Sie ihn von anderen metallischen Gegenständen fern, wie etwa Büroklammern, Münzen, Schlüssel, Nägel, Schrauben oder anderen kleinen Metallgegenständen, die eine Verbindung zwischen den Batteriekontakten herstellen können.** Das Kurzschließen der Batteriekontakte kann Verbrennungen oder Brände verursachen.
 - **Bei unsachgemäßer Anwendung kann Flüssigkeit aus dem Akku austreten; Kontakt vermeiden. Falls Sie versehentlich mit Akkusäure in Berührung gekommen sind, spülen Sie mit Wasser. Falls Akkusäure in die Augen geraten ist, suchen Sie zudem einen Arzt auf.** Aus dem Akku austretende Flüssigkeit kann Reizungen oder Verätzungen verursachen.
 - **Benutzen Sie keinen Akku oder ein Werkzeug, das beschädigt oder umgebaut wurde.** Beschädigte oder umgebaute Akkus können sich unvorhergesehen verhalten, wodurch möglicherweise ein Brand, eine Explosion oder Verletzungen verursacht werden.
 - **Akkus oder Werkzeuge vor Feuer oder extremen Temperaturen schützen.** Feuer oder Temperaturen über 130 °C können eine Explosion verursachen.
 - **Befolgen Sie alle Ladeanweisungen und laden Sie den Akku oder das Werkzeug nicht außerhalb des Temperaturbereichs auf, der in der Anleitung angegeben ist.** Das unsachgemäße Aufladen oder Laden außerhalb des angegebenen Temperaturbereichs kann den Akku beschädigen und die Brandgefahr erhöhen.

REPARATUREN

- **Lassen Sie Ihr Elektrowerkzeug von einer qualifizierten Fachkraft und nur unter Verwendung identischer Ersatzteile reparieren.** Nur so kann für die Sicherheit des Elektrowerkzeugs gesorgt werden.
- **Reparieren Sie unter keinen Umständen beschädigte Akkus.** Die Reparatur von Akkus sollte ausschließlich von dem Hersteller oder autorisierten Serviceanbietern vorgenommen werden.

SICHERHEITSGEDELN FÜR DEN AKKU-RASENMÄHER

⚠ VORSICHT: Dieses Gerät wurde dazu konstruiert, um so bedient zu werden, wie es in den Regeln für einen sicheren Betrieb in dieser Bedienungsanleitung

beschrieben wird. Wie bei jedem anderen Elektrogerätetyp kann Fahrlässigkeit oder ein Fehler vonseiten des Benutzers zu schweren Verletzungen führen. Dieses Gerät kann Hände und Füße verletzen und Gegenstände umherschleudern. Wenn nicht alle Sicherheitshinweise beachtet werden, können schwere oder tödliche Verletzungen verursacht werden.

⚠ WARNUNG: Beim Gebrauch von Akku-Rasenmähern sollten stets grundlegende Sicherheitsvorkehrungen beachtet werden, um Verletzungs-, Brand- und Stromschlaggefahren einzudämmen.

WICHTIG!

VOR DER BENUTZUNG SORGFÄLTIG LESEN. ZUM SPÄTEREN NACHSCHLAGEN AUFBEWAHREN.

SICHERHEITSGEDELN FÜR AKKU-RASENMÄHER:

VORSICHT - NICHT DAS ROTIERENDE MESSER BERÜHREN!

SCHULUNG

- Lesen Sie die Anweisungen aufmerksam. Machen Sie sich mit den Bedienelementen und der richtigen Handhabung des Gerätes vertraut.
- Allen Personen, denen die vorliegenden Anweisungen nicht bekannt sind, sowie Kindern muss die Nutzung des Gerätes untersagt werden. Für das Mindestalter des Benutzers gelten örtliche Vorschriften.
- Setzen Sie den Mäher nicht in Betrieb, solange sich noch Personen, insbesondere Kinder oder Haustiere in der Nähe aufhalten.
- Für Unfälle, Personen- oder Sachschäden Dritter ist der Bediener oder Nutzer des Gerätes verantwortlich.

VORBEREITUNG

- Tragen Sie beim Mähen immer festes Schuhwerk und lange Hosen.
- Setzen Sie das Gerät nicht in Betrieb, wenn Sie barfuß sind oder offene Sandalen tragen. Lockere sitzende Kleidung oder Kleidungsstücke mit herabhängenden Kordeln oder Bändern sind zu vermeiden.
- Untersuchen Sie gründlich den Bereich, indem Sie das Gerät einsetzen möchten, und entfernen Sie alle Steine, Stöcke, Drähte, Knochen und andere Fremdkörper.
- Führen Sie vor der Benutzung immer eine Sichtprüfung durch, um sicherzustellen, ob die Messer, Messerschrauben und Schneidvorrichtung nicht abgenutzt oder beschädigt sind. Tauschen Sie abgenutzte oder beschädigte Messer und Schrauben

immer komplett im Satz aus, um die Auswuchtung beizubehalten. Wechseln Sie beschädigte oder unleserliche Etiketten aus.

BEDIENUNG

- Mähen Sie nur bei Tageslicht oder unter gutem künstlichen Licht.
- Benutzen Sie das Gerät nicht bei nassem Gras, sofern dies möglich ist.
- Achten Sie an Hängen immer auf einen festen Stand.
- Nur gehen, niemals rennen.
- Mähen Sie bei einem Sichelmäher mit Rädern immer quer zum Hang und niemals auf- und abwärts.
- Seien Sie besonders vorsichtig, wenn Sie an Hängen die Richtung ändern.
- Mähen Sie keine extrem steilen Hänge.
- Seien Sie besonders vorsichtig, wenn Sie rückwärts mähen oder das Gerät zu sich heran ziehen.
- Halten Sie das (die) Messer an, wenn das Gerät zum Transport bei der Überquerung von anderen Flächen als Rasen gekippt werden muss und wenn Sie das Gerät von und zum Bereich, der gemäht werden soll, transportieren.
- Verwenden Sie das Gerät niemals mit defekten Abdeckungen und Schutzvorrichtungen oder ohne Sicherheitsvorrichtungen, wie z.B. ohne Ablenkleche und/oder Grasfangvorrichtung.
- Schalten Sie den Motor gemäß Anweisungen ein und halten Sie Ihre Füße von dem (den) Messer(n) fern.
- Kippen Sie das Gerät beim Einschalten des Motors nicht; es sei denn, das Gerät muss zum Starten gekippt werden. In diesem Fall kippen Sie es nur so weit, wie es unbedingt erforderlich ist, und heben Sie nur die vom Benutzer abgewandte Seite hoch. Stellen Sie stets sicher, dass beide Hände in Bedienposition sind, bevor Sie das Gerät zurück auf den Boden stellen. Schalten Sie das Gerät nicht ein, wenn Sie vor der Auswurföffnung stehen.
- Reichen Sie mit den Händen oder Füßen nicht in die Nähe oder unter die rotierenden Teile. Halten Sie sich bei Sichelmähern immer von der Auswurföffnung fern.
- Tragen oder heben Sie das Gerät niemals an, während der Motor läuft.
- Schalten Sie das Gerät aus und nehmen Sie den Akku (bzw. die Deaktivierungsvorrichtung) ab und stellen Sie sicher, dass alle beweglichen Teile komplett zum Stillstand gekommen sind, bevor Sie das Gerät einstellen oder reinigen:
 - Beim Zurückklappen des Geräts
 - Vor dem Beseitigen von Blockaden und dem

Freimachen des Auswurfs

- Vor dem Prüfen, Reinigen oder Arbeiten am Gerät
- Nachdem ein Fremdkörper getroffen wurde
 - Untersuchen Sie das Gerät auf Beschädigungen und führen Sie die notwendigen Reparaturen aus.
- Wenn das Gerät ungewöhnlich stark zu vibrieren beginnt (sofort überprüfen):
 - Auf Schäden prüfen
 - Beschädigte Teile ersetzen oder reparieren
 - Gelockerte Teile wieder festziehen

WARTUNG UND LAGERUNG

- Seien Sie vorsichtig, wenn Sie Einstellungen an dem Gerät vornehmen. Es besteht die Gefahr, dass Sie sich die Finger zwischen den beweglichen Messern und den festen Teilen des Gerätes einklemmen.
- Achten Sie darauf, dass alle Schrauben, Muttern und Bolzen fest angezogen sind. Nur kann für eine entsprechende Gerätesicherheit gesorgt werden.
- Überprüfen Sie die Grasfangvorrichtung regelmäßig auf Verschleiß oder Abnutzung.
- Wechseln Sie abgenutzte oder beschädigte Teile aus Sicherheitsgründen aus.
- Das Reinigen und Pflegen darf Kindern ohne Beaufsichtigung nicht gestattet werden.
- Denken Sie bei der Wartung der Messer daran, dass sich diese immer noch bewegen, auch wenn die Energiequelle ausgeschaltet wurde.
- Stellen Sie bei Sichelrasenmähern sicher, dass nur Ersatz-Schneidvorrichtungen vom korrekten Typ verwendet werden.

PERSONENSICHERHEIT

Tragische Unfälle können sich ereignen, wenn der Benutzer nicht auf die Gegenwart von Kindern achtet. Kinder fühlen sich von Rasenmähern und von den Mäharbeiten häufig angezogen. Sie sind sich der Gefahren nicht bewusst. Gehen Sie niemals davon aus, dass Kinder dort bleiben, wo Sie sie zuletzt gesehen haben.

- Halten Sie Kinder vom Mähbereich fern. Sie sollten von einem anderen verantwortlichen Erwachsenen als dem Benutzer beaufsichtigt werden.
- Seien Sie wachsam und schalten Sie den Rasenmäher aus, wenn sich ein Kind dem Bereich nähert.
- Lassen Sie besondere Vorsicht walten, wenn Sie sich unübersichtlichen Ecken, Eingängen, Büschen, Bäumen oder anderen Objekten nähern, die Ihnen die Sicht auf ein

Kind versperren könnten. Es besteht Gefahr, dass das Kind in den Rasenmäher läuft.

- Kinder sollten beaufsichtigt werden, um sicherzustellen, dass sie nicht mit dem Rasenmäher spielen.
- Schalten Sie den Rasenmäher immer aus, wenn Sie den Akku aus dem Gerät entfernen. Halten Sie das (die) Messer an, wenn das Gerät zum Transport bei der Überquerung von anderen Flächen als Rasen gekippt werden muss und wenn Sie das Gerät von und zum Bereich, der gemäht werden soll, transportieren.

BEDIENUNG ALLGEMEINER BETRIEB

- Lesen Sie die Bedienungsanleitung vor der Montage des Geräts sorgfältig und vollständig durch. Vor der Inbetriebnahme müssen sämtliche Anweisungen am Gerät und in der Bedienungsanleitung gelesen und genau befolgt werden. Machen Sie sich umfassend mit den Bedienelementen und dem sachgemäßen Gebrauch dieses Gerätes vertraut, bevor Sie es benutzen. Bewahren Sie diese Bedienungsanleitung an einem sicheren Ort für späteres und regelmäßiges Nachlesen und die Bestellung von Ersatzteilen auf.
- Verwenden Sie das richtige Gerät – Verwenden Sie den Rasenmäher zu keinem anderen Zweck als den, für den er vorgesehen ist.
- Nicht zu weit nach vorn strecken – achten Sie stets auf einen festen Stand und halten Sie das Gleichgewicht.
- Gegenstände, die vom Messer des Rasenmähers getroffen werden, können schwere Verletzungen hervorrufen. Der Rasen sollte vor jedem Mähen stets sorgfältig untersucht und von allen Fremdgegenständen befreit werden.
- Vor und beim Zurücksetzen immer nach hinten und nach unten schauen, ob sich dort kleine Kinder und andere Personen aufhalten.
- Dieses Gerät ist kein Spielzeug. Seien Sie deshalb immer extrem vorsichtig. Das Gerät ist ausschließlich für das Mähen von Gras vorgesehen. Verwenden Sie es zu keinem anderen Zweck.
- Üben Sie keinen Druck auf den Rasenmäher aus - Er wird die Aufgabe besser und auf sicherere Weise im Rahmen des Wirkungsgrades erledigen, für den er entwickelt wurde.
- Führen Sie vor der Benutzung immer eine Sichtprüfung durch, um sicherzustellen, ob die Messer, Messerschrauben und Schneidvorrichtung nicht abgenutzt oder beschädigt sind. Tauschen Sie abgenutzte oder beschädigte Messer und Schrauben immer komplett im Satz aus, um die Auswuchtung beizubehalten. Wechseln Sie beschädigte oder unleserliche Etiketten aus.
- Seien Sie besonders vorsichtig, wenn Sie rückwärts mähen oder das Gerät zu sich heran ziehen.
- Untersuchen Sie den Bereich gründlich, in dem das Gerät eingesetzt werden soll. Entfernen Sie alle Steine, Stöcke, Kabel, Spielzeuge und andere Fremdkörper, über die man stolpern kann oder die vom Gerät aufgenommen und vom Messer weggeschleudert werden können. Umhergeschleuderte Objekte können schwere Verletzungen verursachen. Planen Sie Ihr Mähschema, um zu vermeiden, dass das Schnittgut auf Straßen, Fußgängerwege, Passanten und andere verteilt wird. Vermeiden Sie zudem, Schnittgut gegen Wände oder Hindernisse auszuwerfen, da ausgeworfenes Material abprallen und auf den Benutzer zurück geschleudert werden kann.
- Um eine Berührung mit dem Messer oder Verletzungen durch herausgeschleuderte Objekte zu vermeiden, bleiben Sie in der Bedienzone hinter dem Lenkholm und halten Sie Kinder, Passanten und Haustiere mindestens 30 m vom Rasenmäher fern, solange er in Betrieb ist. Halten Sie das Gerät an, wenn jemand den Bereich betritt.
- Tragen Sie beim Betrieb, Einstellen oder Reparieren des Geräts immer eine Schutzbrille, um Ihre Augen zu schützen. Herausgeschleuderte und zurückprallende Gegenstände können schwere Verletzungen an den Augen verursachen. Tragen Sie eine Gesichts- oder Staubschutzmaske, wenn die Staubbelastung bei der Arbeit groß ist.
- Tragen Sie geeignete Kleidung – Tragen Sie keine weite Kleidung oder Schmuck. Es besteht Gefahr, dass sie sich in den beweglichen Teilen verfangen. Bei Arbeiten im Freien werden Gummihandschuhe und festes Schuhwerk empfohlen. Tragen Sie robuste Arbeitsschuhe mit einer groben Sohle und eng sitzende Hosen und Hemden. Es werden Hemden und Hosen empfohlen, die Arme und Beine bedecken, und Schuhe mit Stahlkappen. Benutzen Sie dieses Gerät niemals barfuß, in Sandalen, rutschigen oder leichten Schuhen (z. B. aus Stoff).
- Reichen Sie mit den Händen oder Füßen nicht in die Nähe rotierender Teile oder unter das Mähwerk. Die Berührung des Messers kann zu Verletzungen an Händen und Füßen führen.
- Bei einer fehlenden oder beschädigten Auswurfabdeckung besteht die Gefahr, dass die Messer berührt werden oder Verletzungen durch herausgeschleuderte Gegenstände entstehen.
- Viele Verletzungen werden verursacht, weil der Rasenmäher durch einen Sturz beim Ausrutschen oder

Stolpern über den Fuß gezogen wird. Halten Sie den Rasenmäher nicht fest, wenn Sie stürzen; lassen Sie den Lenkholm sofort los.

- Ziehen Sie den Rasenmäher niemals rückwärts in Ihre Richtung, während Sie gehen. Wenn Sie den Rasenmäher rückwärts von einer Wand oder einem Hindernis wegbewegen müssen, blicken Sie erst nach unten und nach hinten, um zu vermeiden, dass Sie stolpern, und folgen Sie dann diesen Schritten:
 - Entfernen Sie sich einen Schritt vom Rasenmäher, um Ihre Arme ganz ausstrecken zu können.
 - Achten Sie darauf, dass Sie problemlos das Gleichgewicht halten können und einen festen Stand haben.
 - Ziehen Sie den Rasenmäher langsam rückwärts, nicht weiter als die halbe Entfernung in Ihre Richtung.
 - Wiederholen Sie diese Schritte bei Bedarf.
- Benutzen Sie den Rasenmäher nicht, wenn Sie unter dem Einfluss von Alkohol oder Drogen stehen.
- Bleiben Sie wachsam – Achten Sie auf das, was Sie tun. Seien Sie vernünftig. Benutzen Sie den Rasenmäher nicht, wenn Sie müde sind.
- Der Motor-/Messerkupplungshebel ist eine Sicherheitsvorrichtung. Versuchen Sie niemals seine Funktion zu umgehen. Dadurch wird die Sicherheitsvorrichtung funktionsunfähig, was zu Verletzungen durch den Kontakt mit dem rotierenden Messer führen kann. Der Motor-/Messerkupplungshebel muss sich leicht in beide Richtungen bedienen lassen und automatisch in die ausgerückte Stellung zurückkehren, wenn er losgelassen wird.
- Vermeiden Sie gefährliche Umgebungen – Benutzen Sie den Rasenmäher nicht an feuchten oder nassen Stellen.
- Benutzen Sie das Gerät nicht im Regen.
- Achten Sie stets auf einen festen Stand. Ausrutschen und Stürzen kann zu schweren Verletzungen führen. Wenn Sie das Gefühl haben, dass Sie den Halt verlieren, lassen Sie den Motor-/Messerkupplungshebel sofort los. Innerhalb von drei Sekunden kommt das Messer dann zum Stillstand.
- Halten Sie das Messer an, wenn Sie Schotterereinfahrten, -wege oder -straßen überqueren.
- Falls das Gerät ungewöhnlich zu vibrieren beginnt, schalten Sie den Motor aus und suchen Sie sofort nach der Ursache. Vibrationen weisen im Allgemeinen auf Probleme hin.
 - Auf Schäden prüfen

- Beschädigte und vom Benutzer austauschbare Teile ersetzen oder reparieren
- Gelockerte Teile wieder festziehen
- Wenn die zugehörige hintere Schutzverkleidung, die Auswurfabdeckung, der Grasfangsack, der Mulcheinsatz, der Seitenauswurf, der Motor-/Messerkupplungshebel oder die anderen Schutzvorrichtungen nicht montiert und in betriebsfähigem Zustand sind, darf der Rasenmäher nicht in Betrieb gesetzt werden. Benutzen Sie den Rasenmäher niemals mit beschädigten Schutzvorrichtungen. Andernfalls kann es zu schweren Verletzungen kommen.
- Falls Situationen auftreten, die nicht in dieser Bedienungsanleitung behandelt werden, gehen Sie vorsichtig und vernünftig vor. Reparaturanfragen richten Sie bitte an das EGO-Kundendienstzentrum.
- Vor dem Entsorgen muss der Akku aus dem Gerät entfernt werden.
- Der Akku muss sicher entsorgt werden.

BENUTZUNG AN EINEM HANG:

Hänge sind eine der Hauptursachen bei Unfällen durch Ausrutschen und Stürzen, die zu schweren Verletzungen führen können. Achten Sie an Hängen immer auf einen festen Stand. Rasenmähen an Hängen erfordert besondere Vorsicht. Wenn Sie ein un gutes Gefühl an einem Hang haben, mähen Sie ihn nicht.

Richtig:

- Mähen Sie quer zu Hängen; mähen Sie niemals den Hang auf- und abwärts. Seien Sie besonders vorsichtig, wenn Sie an Hängen die Richtung ändern.
- Achten Sie auf Löcher, Furchen, Steine, verdeckte Gegenstände oder Bodenwellen, die Sie zum Ausrutschen oder Stürzen bringen können. Hindernisse können von hohem Gras verdeckt werden.

Falsch:

- Mähen Sie nicht in der Nähe eines Abhangs oder Ufers; Sie könnten dabei den Halt oder das Gleichgewicht verlieren.
- Hänge mit mehr als 15 Grad dürfen nicht gemäht werden.
- Mähen Sie kein nasses Gras. Ein unsicherer Stand kann zum Ausrutschen führen.

WARTUNG

⚠️ WARNUNG: Bestandteile des Grasfangsacks, die Auswurfabdeckung, der Seitenauswurf, der Mulcheinsatz und die hintere Schutzverkleidung können sich abnutzen und beschädigt werden. Dadurch liegen bewegliche Teile dann frei oder es besteht die Möglichkeit, dass

Gegenstände umhergeschleudert werden, sodass erhöhte Verletzungsgefahr besteht. Prüfen Sie sicherheitshalber alle Geräteteile regelmäßig und ersetzen Sie beschädigte Teile sofort durch identische Ersatzteile, die in dieser Bedienungsanleitung aufgeführt werden. Wenden Sie sich an den EGO-Kundendienst oder das nächstgelegene EGO-Servicezentrum. Reparaturen oder das Austauschen von Bestandteilen sollten Sie einem qualifizierten Servicetechniker überlassen!

- Wenn der eingebaute Überlastungsschutz des Rasenmähers ständig ausgelöst wird, wenden Sie sich an den EGO-Kundendienst oder das nächstgelegene EGO-Servicezentrum.
- Waschen Sie den Rasenmäher nicht mit dem Wasserschlauch; lassen Sie kein Wasser in den Motor und die elektrischen Verbindungen gelangen.
- Entfernen Sie den Schlüssel und lagern Sie den ausgeschalteten Rasenmäher im Gebäude, wenn er nicht benutzt wird. Lassen Sie den Motor abkühlen, bevor Sie das Gerät in einem geschlossenen Raum lagern. Der Rasenmäher sollte an einem trockenen, hoch gelegenen Platz oder in einem abgeschlossenen Raum außer Reichweite von Kindern aufbewahrt werden.
- Bei Reparaturen dürfen nur identische Ersatzteile, die in dieser Bedienungsanleitung aufgeführt sind, verwendet werden. Bei der Verwendung von Teilen, die von den technischen Daten des Originalgeräts abweichen, ist mit fehlerhafter Leistung und mangelnder Sicherheit zu rechnen.
- Entfernen oder trennen Sie den Akku, bevor Sie den Rasenmäher reparieren, reinigen oder Schnittgut aus dem Rasenmäher entfernen.
- Befolgen Sie die Anweisungen zum Wechseln des Zubehörs.
- Halten Sie die Griffe/Holme trocken, sauber und frei von Öl und Fett.
- Um die Gefahr eines Brandes zu reduzieren, halten Sie die Motorabdeckung frei von Gras, Blättern und Ablagerungen.
- Prüfen Sie regelmäßig, ob die Schrauben des Messers und des Motors fest angezogen sind. Prüfen Sie das Messer auf Schäden (z. B. verbogene Stellen, Risse und Abnutzung). Ersetzen Sie das Messer nur durch ein identisches Ersatzmesser, das in dieser Bedienungsanleitung aufgeführt ist.
- Warten Sie Ihren Rasenmäher sorgfältig – Halten Sie das Rasenmähermesser scharf und sauber, um die beste und sicherste Leistung zu gewährleisten. Rasenmähermesser sind scharf und können tiefe

Schnitte verursachen. Umwickeln Sie das Messer oder benutzen Sie Handschuhe und seien Sie bei der Wartung besonders vorsichtig.

- Manipulieren oder entfernen Sie niemals die Schutzvorrichtungen. Prüfen Sie regelmäßig, ob sie ordnungsgemäß funktionieren. Die bestimmungsgemäße Funktion bzw. die schützende Wirkung einer Schutzvorrichtung darf auf keinerlei Weise beeinträchtigt oder gehemmt werden.
- Halten Sie den Motor immer an, bevor Sie Einstellungen an einem Rad vornehmen oder die Schnitthöhe ändern.
- Wenn Sie einen Fremdkörper getroffen haben, halten Sie den Motor an, entfernen Sie den Schlüssel und untersuchen Sie den Rasenmäher gründlich auf Beschädigungen. Reparieren Sie den Schaden, bevor Sie den Rasenmäher wieder einsetzen.
- Warn- und Bedienungsaufkleber am Gerät müssen gepflegt oder ggf. ersetzt werden. Wenden Sie sich an den EGO-Kundendienst oder das nächstgelegene EGO-Servicezentrum. Reparaturen oder das Austauschen von Bestandteilen sollten Sie einem qualifizierten Servicetechniker überlassen!
- **HEBEN SIE DIESE ANLEITUNG AUF.** Schlagen Sie gegebenenfalls darin nach und verwenden Sie sie, um Andere in die Verwendung des Geräts einzuweisen. Falls Sie dieses Werkzeug an Andere verleihen, händigen Sie ihnen auch diese Anleitung aus, um einem Missbrauch des Geräts und möglichen Verletzungen vorzubeugen.

BENUTZUNG UND WARTUNG DES AKKUS

- Zur Schonung der Umwelt müssen Akkus vorschriftsmäßig recycelt oder entsorgt werden. Dieses Produkt enthält Lithium-Ionen-Akkus. Die Entsorgung von Lithium-Ionen-Akkus im Hausmüll ist untersagt. Genaue Informationen über die vorhandenen Recycling- und/oder Entsorgungsmöglichkeiten erhalten Sie bei der jeweils zuständigen Behörde.
- Wenn der Akku zur Entsorgung bzw. Wiederverwertung aus dem Werkzeug genommen wird, müssen die elektrischen Kontakte des Akkus mit Klebeband abgeklebt werden. Versuchen Sie nicht, den Akku zu zerstören, zu zerlegen oder bestimmte Komponenten auszubauen. Lithium-Ionen-Akkus müssen vorschriftsmäßig recycelt bzw. entsorgt werden. Die elektrischen Kontakte dürfen außerdem niemals mit Metallobjekten und/oder Körperteilen berührt werden, da hierbei die Gefahr eines Kurzschlusses besteht. Von Kindern fern halten. Bei Nichteinhaltung dieser Warnhinweise besteht Brandgefahr und/oder schwere Verletzungsgefahr.

- **BEI UNSACHGEMÄSSER ANWENDUNG KANN FLÜSSIGKEIT AUS DEM AKKU AUSTRETEN; KONTAKT VERMEIDEN. BEI VERSEHENTLICHEM KONTAKT SOFORT MIT WASSER SPÜLEN. FALLS FLÜSSIGKEIT IN DIE AUGEN GELANGT IST, SUCHEN SIE AUSSERDEM EINEN ARZT AUF. AUS DEM AKKU AUSTRETENDE FLÜSSIGKEIT KANN REIZUNGEN ODER VERBRENNUNGEN VERURSACHEN.**

Wert abweichen. Zum Schutz des Benutzers sollten Handschuhe und ein Gehörschutz während des Geräteeinsatzes getragen werden.

DE

PACKLISTE

TEILNAME	MENGE
Rasenmäher	1
Grasfangsack	1
Grasfangsack-Rahmen	1
Mulcheinsatz	1
Seitenauswurf	1
Sicherheitsschlüssel	1
Bedienungsanleitung	1

TECHNISCHE DATEN

Modellnummer	LM2020E	LM2020E-SP	
Eigenantrieb	Nicht	Ja	
Spannung	56 V	56 V	
Leerlaufdrehzahl	3000 /min	3000 /min	
Schnitthöhe	25-95 mm	25-95 mm	
Empfohlene Betriebstemperatur:	0°C-40°C	0°C-40°C	
Empfohlene Lagertemperatur:	-20°C-70°C	-20°C-70°C	
Schnitt Höheneinstellungen	6	6	
Mähwerkgröße	51 cm	51 cm	
Schnittbreite	50 cm	50 cm	
Volumen des Grasfangsacks	60 L	60 L	
Gewicht des Rasenmähers (ohne Akku, Mulcheinsatz)	24,4 kg	27,2 kg	
Messermodell	AB2001	AB2001	
Gemessener Schalleistungspegel L_{WA}	91,5 dB(A) K=1,80 dB(A)	91,0 dB(A) K=1,89 dB(A)	
Schalldruckpegel am Ohr des Bedieners L_{PA} K=3 dB(A)	79,5 dB(A)	79,2 dB(A)	
Gewährleisteter Schalleistungspegel L_{WA} (nach 2000/14/EG)	93 dB(A)	93 dB(A)	
Vibration $a_{h,1}$ K=1,5 m/s ²	Linker Holm	≤2,5 m/s ²	≤2,5 m/s ²
	Rechter Holm	≤2,5 m/s ²	≤2,5 m/s ²
Messerbremse	Ja	Ja	

BESCHREIBUNG

AUFBAU (Abb. A & B & C & D & E)

- 1 Bügelschalter (Schalthebel)
- 2 Lenkholm
- 3 Sicherheitsschalter
- 4 Ein-/Ausschalter Eigenantrieb
- 5 Holm-Feststellklemme
- 6 Grasfangsack
- 7 Schnitthöhenversteller
- 8 Hinterrad
- 9 Seitenauswurfklappe
- 10 Mähwerk
- 11 LED-Scheinwerfer
- 12 Abdeckung
- 13 Vorderrad
- 14 Akkufachabdeckung
- 15 Hinterer Griff
- 16 Schnell-Einstellhebel
- 17 Seitenauswurfklappe
- 18 Seitenholm
- 19 Geschwindigkeitsregler Eigenantrieb
- 20 Hintere Schutzverkleidung
- 21 Schalter für LED-Scheinwerfer
- 22 Betriebsanzeige

- Der angegebene Vibrationsgesamtwert wurde nach einem Standard-Prüfverfahren gemessen und kann zum Vergleich mit einem anderen Werkzeug herangezogen werden.
- Der angegebene Vibrationsgesamtwert kann auch zur vorläufigen Risikobewertung herangezogen werden.

HINWEIS: Die beim Einsatz des Elektrowerkzeugs entstehenden Istvibrationen können von dem angegebenen

- 23 Akku-Freigabeknopf
- 24 Sicherheitsschloss
- 25 Mulcheinsatz
- 26 Seitenauswurf

BEDIENUNG

BEFESTIGEN DES GRASFANGSACKS

- 1) Schieben Sie den Grasfangsack auf den Rahmen (Abb. F).
- 2) Bringen Sie die oberen Clips am Rahmen an (Abb. G). Befestigen Sie dann die beiden Seitenclips. Befestigen Sie zum Schluss den unteren Clip.
- 3) Der vollständig befestigte Grasfangsack wird in Abb. H gezeigt.

EINSTELLEN DES KLAPPBAREN HOLMS

⚠ WARNUNG: Versuchen Sie nicht, den Rasenmäher zu starten, wenn der Holm noch nicht in einer der drei voreingestellten Betriebsposition arretiert ist (OBERE BETRIEBSPOSITION, MITTLERE BETRIEBSPOSITION oder UNTERE BETRIEBSPOSITION).

Ihr Rasenmäher wird mit dem Holm in kompakter ARRETIERTER LAGERPOSITION ausgeliefert (Abb. I).

- 1) Halten Sie den Schnell-Einstellhebel gedrückt, um den Holm aus der arretierten Aufbewahrungsposition zu lösen (Abb. H-1).
- 2) Ziehen Sie den Holm langsam aus seiner zusammengeklappten Position nach oben und lassen Sie dann den Hebel los. Drehen Sie den Holm vorsichtig nach oben, bis Sie hören und spüren, wie der Arretierstift in einer der übrigen Positionen (Abb. H) einrastet.

Beschreibung zu Abb. J, siehe unten:

J-1	Arretierte Aufbewahrungsposition
J-2	Grasfangsack-Befestigungs-/Entnahmeposition
J-3	Obere Betriebsposition
J-4	Mittlere Betriebsposition
J-5	Untere Betriebsposition

BEFESTIGEN/ENTFERNEN DES GRASFANGSACKS/ MULCHEINSATZES

⚠ WARNUNG: Nehmen Sie auf keinen Fall Einstellungen am Rasenmäher vor, ohne zuvor den Motor abzustellen, den Sicherheitsschlüssel zu ziehen und zu warten, bis das Messer zum Stillstand gekommen ist.

HINWEIS: Bringen Sie vor dem Mähen eines der Anbaugeräte am Rasenmäher an.

■ Zum Anbringen/Abnehmen des Grasfangsacks (Abb. K)

Stellen Sie den Holm auf eine geeignete Betriebsposition ein. Heben Sie die Heckauswurfklappe hoch und hängen Sie den Grasfangsack in die Gelenkstange ein. Zum Abnehmen heben Sie den Grasfangsack einfach hoch und nehmen ihn von der Gelenkstange herunter. Lassen Sie die Heckauswurfklappe zum Schluss wieder los.

HINWEIS: Entnehmen Sie den vormontierten Mulcheinsatz, bevor Sie den Grasfangsack am Rasenmäher befestigen.

■ Zum Anbringen/Abnehmen des Mulcheinsatzes (Abb. L)

Heben Sie die Heckauswurfklappe hoch und setzen Sie den Mulcheinsatz in den Rasenmäher ein. Ziehen Sie ihn zum Entnehmen einfach heraus. Lassen Sie die Heckauswurfklappe zum Schluss wieder los.

■ Zum Anbringen/Abnehmen des Seitenauswurfs (Abb. M)

Heben Sie die Seitenauswurfklappe hoch. Lassen Sie die Aussparung im Auswurfkanal mit der Nocke an der Auswurfklappe fluchten und lösen Sie die Seitenauswurfklappe ein wenig. Nun kann sie ein wenig um die Gelenkstange herum gedreht werden, bis sie fest am Auswurfkanal sitzt. Zum Entfernen heben Sie die Seitenauswurfklappe und anschließend den Seitenauswurfkanal hoch. Nun kann sie an der Montagennocke der Klappe vorbei herausgezogen werden. Beschreibung zu Abb. M, siehe unten:

M-1	Seitenauswurfklappe
M-2	Montagennocke
M-3	Aussparung
M-4	Seitenauswurfklappe
M-5	Schwenkbar ist

HINWEIS: Wenn der Seitenauswurf befestigt wird, muss der Mulcheinsatz installiert werden.

EINSTELLEN DER SCHNITTHÖHE (Abb. N)

⚠ WARNUNG: Halten Sie Ihre Füße vom Mähwerk fern, wenn Sie die Schnitthöhe einstellen. Der Rasenmäher kann auf fünf Schnitthöhen zwischen 25 und 95mm eingestellt werden. Wählen Sie die Schnitthöhe, die der Art und dem Zustand des Rasens entspricht.

HINWEIS: Wenn Sie das Gerät transportieren, achten Sie darauf, dass die Schnitthöhe auf Position 3 oder größer eingestellt ist. Andernfalls kann es zu Beschädigungen am Messer kommen.

ANBRINGEN/ABNEHMEN DES AKKUS (Abb. 0)

Nur mit akkus und ladegeräten verwenden, die in abb. A aufgeführt sind.

LADEN SIE DEN AKKU VOR DEM ERSTEN GEBRAUCH AUF.

⚠️ WARNUNG: Falls Teile defekt sind oder fehlen, darf der Rasenmäher erst dann wieder in Betrieb ersetzt werden, wenn die defekten fehlenden Teile am Gerät ersetzt worden sind. Andernfalls kann es zu schweren Verletzungen kommen.

■ Anbringen

Schieben Sie den Akku bis zum hörbaren Einrasten in das Akkufach.

■ Abnehmen

Drücken Sie die Akkuentriegelung am Akkufach. Beschreibung zu Abb. 0, siehe unten:

0-1	Sicherheitsschloss
0-2	Sicherheitsschlüssel
0-3	Akku-Freigabeknopf

ANMERKUNG: Stellen Sie sicher, dass der Riegel am Rasenmäher einrastet und der Akku am Rasenmäher befestigt ist, bevor Sie das Gerät in Betrieb nehmen.

STARTEN/ANHALTEN DES RASENMÄHERS

⚠️ WARNUNG: Beim Betrieb des Rasenmähers besteht die Gefahr, dass Fremdkörper in die eigenen Augen oder in die Augen Dritter geschleudert werden. Die Augen können dadurch ernsthaft verletzt werden. Tragen Sie immer eine Schutzbrille, wenn Sie den Rasenmäher bedienen, oder wenn Sie Einstellungen daran vornehmen oder ihn reparieren.

⚠️ WARNUNG: Stellen Sie sicher, dass andere Personen und Haustiere mindestens 30m vom Rasenmäher entfernt sind, wenn er in Betrieb ist.

⚠️ WARNUNG: Das Messer dreht sich nach dem Ausschalten des Rasenmähers noch einige Sekunden weiter. Warten Sie bis der Motor/das Messer stillsteht, bevor Sie den Rasenmäher erneut starten. Schalten Sie den Rasenmäher nicht schnell hintereinander aus und ein.

SICHERHEITSSCHLÜSSEL

Um ein versehentliches Starten oder eine unerlaubte Benutzung des Akku-Rasenmähers zu verhindern, ist der Rasenmäher mit einem abnehmbaren Sicherheitsschlüssel ausgestattet. Der Rasenmäher ist komplett deaktiviert, wenn der Sicherheitsschlüssel vom Rasenmäher abgezogen wurde.

⚠️ VORSICHT: Rotierende Messer können schwere Verletzungen verursachen. Wenn der Rasenmäher unbeaufsichtigt hinterlassen wird oder zum Einstellen, Reinigen, Warten, Transportieren, Anheben oder Aufbewahren des Rasenmähers den Sicherheitsschlüssel abziehen. Auf diese Weise werden schwere Verletzungen verhindert.

HINWEIS: Der Motor kann erst gestartet werden, wenn:

- Der Holm in einer der beiden Betriebspositionen arretiert ist.
- Die Seitenholme vollständig ausgezogen sind (Abb. P)
- Die beiden grünen Holm-Feststeller fest geschlossen sind (Abb.Q)

Q-1	Anzeigelinie
-----	--------------

⚠️ VORSICHT: Versuchen Sie nicht, die Funktion des Sicherheitsschlüssel und Bügelschalters zu umgehen.

Starten

- 1) Befestigen Sie den Akkusatz am Rasenmäher, stecken Sie den Sicherheitsschlüssel in das Schloss und schließen Sie die Akkufachabdeckung (Abb. 0).
- 2) Betätigen Sie den Schutzschalter gemäß Abb. R.
- 3) Ziehen Sie den Bügelschalter bei gedrückter Taste zum Lenkholm und lassen Sie den Schutzschalter los (Abb. S).

Anhalten

- 1) Lassen Sie den Bügelschalter los.
- 2) Die elektrische Bremse des automatischen Bremsmechanismus unterbricht die Drehbewegung des Messers von drei Sekunden nach dem Loslassen des Bügelschalters.

EIGENANTRIEB MIT VARIABLER-GESCHWINDIGKEIT(LM2020E-SP)

Der Rasenmäher LM2020E-SP ist mit Eigenantrieb und variabler Geschwindigkeit ausgestattet. Das System arbeitet unabhängig vom Ein/Ausschalter des Messers und von der Messerrotation.

Zum Betrieb des Systems ohne rotierendes Messer, den Eigenantriebsauslöser zum Lenkholm ziehen.

Zum Abstellen des Eigenantriebs lassen Sie den Eigenantriebshebel wieder los.

Das System verfügt über eine variable Geschwindigkeit. Zum Beschleunigen bewegen Sie den Eigenantriebshebel nach vorn. Zum Verlangsamen bewegen Sie den Eigenantriebshebel nach hinten (Abb. T).

Um das Messer zum Mähen in Drehbewegung zu versetzen:

1. Starten Sie den Rasenmäher.
2. Bügelschalter mit der linken Hand am Lenkholm festhalten und gleichzeitig mit der rechten Hand den Eigenantriebsauslöser zum Lenkholm ziehen.
3. Bügelschalter und Eigenantriebsauslöser mit der rechten Hand gleichzeitig gegen den Lenkholm halten und mit der linken Hand den Drehzahlregelungshebel des Eigenantriebs auf die passende Drehzahl einstellen.

⚠️ WARNUNG: Die Schalterfunktion oder der Eigenantrieb sollte auf keinen Fall umgangen oder ausgeschaltet werden, um die Verletzungsgefahr zu verringern. Verwenden Sie den Eigenantrieb nur für den vorgesehenen Zweck.

LED-ARBEITSLEUCHTEN AM RASENMÄHER (Abb. A-12)

Betätigen Sie den Schalter (Abb. C-22) zum Ein- oder Ausschalten der LED-Arbeitsleuchten, die sich vor dem Akkufach befinden.

BETRIEBSANZEIGE AM RASENMÄHER (Abb. U)

Der Rasenmäher ist mit einer Betriebsanzeige ausgestattet, um den Ladezustand des Akkus und den Betriebszustand des Rasenmähers anzuzeigen. Die Betriebsanzeige leuchtet auf, wenn das Messer rotiert oder die LED-Arbeitsleuchten eingeschaltet sind.

Betriebsanzeige am Rasenmäher	Bedeutung	Status
Leuchtet grün	Der Rasenmäher funktioniert ordnungsgemäß; der Akku besitzt noch mindestens 15% seiner Ladung.	Nicht zutreffend
Leuchtet rot	Schwacher Akku	Rasenmäher abstellen und Akku aufladen
Blinkt rot	Der Akku ist fast leer.	Rasenmäher abstellen und Akku aufladen
Leuchtet orange	Der Rasenmäher oder der Akku ist überhitzt	Akku aus dem Rasenmäher entfernen, in den Schatten legen und mindestens 15 Minuten lang abkühlen lassen

Blinkt orange	Der Rasenmäher ist überlastet.	Verlangsamen Sie Ihr Tempo oder vergrößern Sie die Schnitthöhe, um die Belastung zu reduzieren.
---------------	--------------------------------	---

ÜBERLASTUNGSSCHUTZ DES RASENMÄHERS

Um Beschädigungen aufgrund von Überlastung zu vermeiden, versuchen Sie nicht, zu viel Gras auf einmal zu mähen. Verlangsamen Sie Ihr Mähtempo oder vergrößern Sie die Schnitthöhe.

Ihr Rasenmäher besitzt eine integrierte Überlast-Schutzschaltung. Wenn der Rasenmäher überlastet ist, stellt sich der Motor ab und die Betriebsanzeige am Rasenmäher blinkt orange. Nehmen Sie den Akku aus dem Rasenmäher. Kontrollieren Sie, ob unter dem Mähwerk Gras anhaftet. Beseitigen Sie es ggf. und bringen Sie den Akku wieder an. Schalten Sie den Rasenmäher danach wieder ein.

AKKU-ÜBERHITZUNGSSCHUTZ

Der Akku wird während der Benutzung warm. Die Wärme wird bei sehr warmem Wetter langsamer abgebaut. Wenn die Akkutemperatur 70°C während des Betriebs überschreitet, wird der Rasenmäher von der Schutzschaltung automatisch abgeschaltet, um den Akku vor Schäden zu schützen. Die Betriebsanzeige am Rasenmäher leuchtet dann orange. Lassen Sie den Bügelschalter los, warten Sie, bis der sich Akku auf ungefähr 67°C abgekühlt hat und starten Sie den Rasenmäher dann erneut.

WARTUNG

⚠️ WARNUNG: Um schwere Verletzungen zu vermeiden, entfernen Sie immer den Sicherheitsschlüssel und den Akku aus dem Rasenmäher, bevor Sie das Gerät säubern oder Wartungsarbeiten vornehmen.

⚠️ WARNUNG: Verwenden Sie für die Wartung nur identische Ersatzteile. Die Verwendung anderer Teile kann Unfälle und Schäden am Gerät hervorrufen. Um die Sicherheit und Zuverlässigkeit zu gewährleisten, sollten alle Reparaturen und der Austausch von Teilen nur von qualifizierten Servicetechnikern durchgeführt werden.

REINIGEN DES RASENMÄHERS

⚠️ WARNUNG: Entfernen Sie immer den Sicherheitsschlüssel und den Akku, wenn Sie den Rasenmäher warten oder transportieren.

Die Unterseite des Mähwerks sollte nach jedem Gebrauch gereinigt werden, da dort Grasschnitt, Blätter, Schmutz und andere Ablagerungen anhaften. Dieses anhaftende Material muss beseitigt werden, da es sonst die Rost- und Korrosionsbildung an den Metallteilen beschleunigt. Die Mähleistung des Rasenmähers wird dadurch beeinträchtigt.

Entfernen Sie anhaftendes Gras und Blätter an der und um die Antriebswelle (nur LM2020E-SP) und um den Motorlüfter herum (kein Wasser benutzen). Wischen Sie den Rasenmäher mit einem feuchten Tuch ab.

ANBRINGEN/ABMONTIEREN DES MESSERS

⚠️ WARNUNG: Schützen Sie stets Ihre Hände, indem Sie Handschuhe tragen oder die Schneidkanten mit Lumpen oder anderen Materialien umwickeln, wenn Sie Wartungsarbeiten am Rasenmähermesser durchführen. Entfernen Sie immer den Akku, wenn Sie den Rasenmäher warten oder transportieren.

■ Abmontieren des Messers Siehe Abb. W.

HINWEIS: Wenn sich die Schraube mit der Motorwelle beim Lösen der Schraube mitdreht, drehen Sie den Lüfter von Hand, um die Bohrungen im Lüfter mit den Bohrungen im Messer fluchten zu lassen. Führen Sie dann einen weiteren Metallsteg in die fluchtenden Bohrungen ein .

■ Montieren des Messers

Die Montagereihenfolge ist in Abb. V dargestellt. Lassen Sie die Bohrungen im Lüfter mit den Bohrungen im Messer (Abb. X) fluchten. Das Lüftermesser muss dabei in Richtung Mähwerk und die beschriftete Messerseite nach außen zeigen. Nun schrauben Sie das Messer fest an, wie in Abb. X gezeigt. Teilebeschreibung zu Abb. V & W, siehe unten:

V-1	Lüfter	V-5	Schraube
V-2	Innenflansch	W-1	Stabilisator 1
V-3	Messer	W-2	Stabilisator 2
V-4	Außenflansch	W-3	14 mm Schlüssel

HINWEIS: Zum Festschrauben des Messers wird ein Anzugsmoment von 49-59Nm empfohlen.

LAGERN DES RASENMÄHERS

- Nehmen Sie den Akku aus dem Rasenmäher und stellen Sie ihn an einem kühlen, trockenen Ort ab. Bewahren Sie ihn nicht neben ätzenden Stoffen wie etwa Dünger oder Steinsalz auf.
- Stellen Sie den Rasenmäher an einem geschützten, geschlossenen Ort ab, der kühl, trocken und für Kinder unerreikbaar ist.

- Decken Sie den Rasenmäher nicht mit einer festen Kunststoffolie ab. Durch eine Kunststoffabdeckung kann die Feuchtigkeit um den Rasenmäher herum nicht entweichen, was zu Rostbildung und Korrosion führt.

- Der Rasenmäher kann hochkant oder waagrecht abgestellt werden (Abb Z).

⚠️ WARNUNG: Wenn der Rasenmäher aus der aufrechten Position umfällt, kann es zu Beschädigungen am Rasenmäher oder Verletzungen kommen. Achten Sie stets darauf, dass der Rasenmäher nicht umfallen kann und außer Reichweite von Kindern ist, wenn er hochkant abgestellt wird. Sofern möglich, bewahren Sie ihn waagrecht auf dem Boden auf.

Umweltschutz



Elektrogeräte, Ladegeräte und Batterien/ Akkus dürfen nicht im Hausmüll entsorgt werden!

Im Einklang mit der europäischen Richtlinie 2012/19/EG müssen elektrische und elektronische Altgeräte separat gesammelt werden. Dasselbe gilt auch für defekte oder verbrauchte Akkus/ Batterien nach der europäischen Richtlinie 2006/66/EG.

Wenn elektrische Geräte auf Deponien oder Schutthalden entsorgt werden, dann können gefährliche Stoffe in das Grundwasser sickern und in die Nahrungskette gelangen. Dadurch werden Ihre Gesundheit und Ihr Wohlbefinden beeinträchtigt.

STÖRUNGSBESEITIGUNG

DE

⚠️ WARNUNG: Entfernen Sie immer den Sicherheitsschlüssel und den Akku, wenn Sie den Rasenmäher warten oder transportieren. Schützen Sie stets Ihre Hände, indem Sie Handschuhe tragen oder die Schneidkanten mit Lumpen oder anderen Materialien umwickeln, wenn Sie Wartungsarbeiten am Rasenmähermesser durchführen.

PROBLEM	URSACHE	LÖSUNG
Rasenmäher lässt sich nicht starten	<ul style="list-style-type: none"> ■ Der Akku ist leer. ■ Der Akku ist noch nicht im Akkufach eingesetzt. ■ Der Akku oder die Rasenmäher-Elektronik ist zu heiß. (Die Betriebsanzeige am Rasenmäher leuchtet zehn Sekunden lang orange.) ■ Die Seitenholme sind nicht auf ihre maximale Länge ausgezogen und die Klemmvorrichtungen sind nicht arretiert. ■ Der Holm ist nicht in einer der beiden Betriebspositionen arretiert. ■ Das Mähwerk ist mit Gras und Ablagerungen verstopft. 	<ul style="list-style-type: none"> ■ Akku aufladen. ■ Schließen Sie den Akku am Rasenmäher an, indem Sie ihn bis zum hörbaren Klickgeräusch einrasten lassen. ■ Akku bzw. Rasenmäher unter 67°C abkühlen lassen. ■ Den Holm ganz herausziehen und beide Klemmvorrichtungen arretieren. ■ Stellen Sie den Holm auf eine der beiden Betriebspositionen ein. ■ Reinigen Sie das Mähwerk und stellen Sie sicher, dass sich das Messer frei bewegen kann.
Der Rasenmäher mäht ungleichmäßig	<ul style="list-style-type: none"> ■ Das Messer ist stumpf. ■ Die Schnitthöhe ist nicht korrekt eingestellt. ■ Das Messer ist falsch montiert. 	<ul style="list-style-type: none"> ■ Schärfen oder ersetzen Sie das Messer. ■ Stellen Sie am Mähwerk eine größere Schnitthöhe ein. ■ Montieren Sie das Messer wieder. Lesen Sie hierzu den Abschnitt „MONTIEREN DES MESSERS“ in dieser Bedienungsanleitung.

PROBLEM	URSACHE	LÖSUNG
Der Rasenmäher setzt beim Mähen aus	<ul style="list-style-type: none"> ■ Der Akku ist leer. ■ Rasenmäher ist überlastet. ■ Das Mähwerk ist mit Gras und Ablagerungen verstopft. ■ Der Akku oder die Rasenmäher-Elektronik ist zu heiß. (Die Betriebsanzeige am Rasenmäher leuchtet zehn Sekunden lang orange.) ■ Der Seitenholm wurde durch den Druck auf den Lenkholm beim Schieben etwas hineingefahren. 	<ul style="list-style-type: none"> ■ Akku aufladen. ■ Vergrößern Sie die Schnitthöhe oder verlangsamen Sie das Mähtempo. ■ Beseitigen Sie die Verstopfung am Mähwerk. Vergrößern Sie die Schnitthöhe oder mähen Sie schmalere Schneisen. ■ Akku bzw. Rasenmäher unter 67°C abkühlen lassen. ■ Die Klemmvorrichtungen lösen. Die Seitenholme ganz herausziehen und die Klemmvorrichtungen wieder festschrauben.
Der Rasenmäher mulcht nicht richtig	<ul style="list-style-type: none"> ■ Feuchte Grasabfälle kleben an der Unterseite des Mähwerks. ■ Der Rasenmäher ist so eingestellt, dass er eine zu große Menge Gras auf einmal mäht. 	<ul style="list-style-type: none"> ■ Warten Sie, bis das Gras trocken ist, bevor Sie mähen. ■ Stellen Sie am Mähwerk eine größere Schnitthöhe ein.
Das Gerät vibriert extrem	<ul style="list-style-type: none"> ■ Das Messer hat sich gelöst. ■ Das Messer hat eine Unwucht. ■ Das Messer ist verbogen. ■ Die Motorwelle ist verbogen. 	<ul style="list-style-type: none"> ■ Ziehen Sie die Messerschraube fest. ■ Wuchten Sie das Messer nach den Anweisungen aus. ■ Wechseln Sie das Messer aus. ■ Wenden Sie sich an das Servicezentrum.
Die Holm-Feststellklemmen lassen sich nicht schließen	<ul style="list-style-type: none"> ■ Die Seitenholme sind nicht vollständig ausgezogen. 	<ul style="list-style-type: none"> ■ Ziehen Sie die Seitenholme ganz heraus und schrauben Sie dann die Klemmen fest.

GARANTIE

EGO GEWÄHRLEISTUNGSRICHTLINIE

Bitte besuchen Sie unsere website egopowerplus.com mit den kompletten EGO Garantiebedingungen.

LISEZ TOUTES LES INSTRUCTIONS !

FR



LISEZ LA NOTICE D'UTILISATION.

⚠ AVERTISSEMENT: Pour garantir la sécurité et la fiabilité, toutes les réparations et tous les changements de pièce doivent être effectués par un réparateur qualifié.

Utilisation prévue et mauvais usage prévisible Le produit est conçu exclusivement pour tondre le gazon dans les jardins domestiques. Il ne doit pas être utilisé pour tondre des herbes exceptionnellement hautes, sèches ou humides, par exemple l'herbe de pâturages ou pour déchiqueter des feuilles. Le produit doit être utilisé uniquement dans le but prévu. Tout autre usage est considéré comme incorrect.

SYMBOLES DE SÉCURITÉ

L'objectif des symboles de sécurité est d'attirer votre attention sur des dangers potentiels. Les symboles de sécurité et les explications les accompagnant doivent être lus avec attention et compris. Les symboles de mise en garde ne permettent pas par eux-mêmes d'éliminer les dangers. Les consignes et mises en garde ne se substituent pas à des mesures de prévention appropriées des accidents.

⚠ AVERTISSEMENT : Avant d'utiliser cet outil, veillez à lire et à comprendre toutes les consignes de sécurité du guide d'utilisation, notamment tous les symboles d'alerte de sécurité comme « **DANGER** », « **AVERTISSEMENT** » et « **MISE EN GARDE** ». Ne pas respecter toutes les consignes listées ci-après peut provoquer un choc électrique, un incendie et/ou des blessures corporelles graves.

SIGNIFICATION DES SYMBOLES

SYMBOLE DE MISE EN GARDE DE SÉCURITÉ: Indique un **DANGER**, un **AVERTISSEMENT** ou une **PRÉCAUTION**. Peut être utilisé en conjonction d'autres symboles ou pictogrammes.

⚠ AVERTISSEMENT : L'utilisation de tout outil électrique peut entraîner la projection d'objets dans les yeux, ce qui peut entraîner des lésions oculaires graves. Avant de commencer à utiliser l'outil électrique, portez toujours un masque de sécurité ou des lunettes de sécurité avec écrans latéraux et un écran facial complet si nécessaire. Nous vous recommandons de porter un masque de sécurité à vision panoramique par-dessus des lunettes de vue ou des lunettes de sécurité avec des écrans latéraux.

CONSIGNES DE SÉCURITÉ

Cette page illustre et décrit les symboles de sécurité qui peuvent être présents sur ce produit. Lisez, comprenez et respectez toutes les instructions présentes sur l'outil avant d'essayer de l'assembler et de l'utiliser.

	Alerte de sécurité	Précautions concernant votre sécurité.
	Lire le manuel d'utilisation	Pour réduire le risque de blessures, l'utilisateur doit lire et comprendre le manuel d'utilisation avant d'utiliser ce produit.
	Attention aux lames tranchantes.	Après l'extinction du moteur les lames continuent à tourner - Retirez le coupe-circuit avant l'entretien Coupez le moteur et enlevez la batterie détachable (ou le coupe-circuit) avant un réglage ou le nettoyage.
	Maintenir les autres personnes éloignées	Veillez à ce que les autres personnes et les animaux restent à au moins 30m de la tondeuse lorsqu'elle est en marche.
	Garder les pieds et la main à l'écart	Garder les pieds et la main à l'écart
	CE	Ce produit est conforme aux directives CE applicables.
	UKCA	Ce produit est conforme à la législation britannique applicable.
	DEEE	Les produits électriques usagés ne doivent pas être jetés avec les ordures ménagères. Apportez-les dans un centre de recyclage agréé.
	Bruit	Niveau de puissance acoustique garanti. Émission de bruit dans l'environnement conformément à la directive CE.
IPX4	Symbole IP	Protection contre la pénétration d'eau de degré 4
V	Volt	Tension
A	Ampères	Courant
Hz	Hertz	Fréquence (cycles par seconde)
W	Watt	Électricité
min	Minutes	Temps
	Courant alternatif	Type de courant

	Courant direct	Type de courant ou caractéristique de courant
n_0	Vitesse à vide	Vitesse de rotation à vide
... /min	Par minute	Rotations par minute

CONSIGNES DE SÉCURITÉ GÉNÉRALES POUR L'OUTIL ÉLECTRIQUE

⚠ AVERTISSEMENT : LISEZ TOUTES LES CONSIGNES DE SÉCURITÉ, LES INSTRUCTIONS, LES ILLUSTRATIONS ET LES SPÉCIFICATIONS DE SÉCURITÉ FOURNIES AVEC CET OUTIL ÉLECTRIQUE. Le non-respect des consignes figurant ci-dessous peut provoquer un choc électrique, un incendie et/ou des blessures graves.

CONSERVEZ TOUS LES CONSIGNES DE SÉCURITÉ ET TOUTES LES INSTRUCTIONS POUR CONSULTATION ULTÉRIEURE.

Le terme « outil électrique » utilisé dans les consignes de sécurité désigne votre outil électrique fonctionnant sur le secteur (filaire) ou sur batterie (sans fil).

SÉCURITÉ DE L'AIRES DE TRAVAIL

- **Maintenez l'aire de travail propre et bien éclairée.** Les endroits sombres ou désordonnés augmentent les risques d'accident.
- **N'utilisez pas les outils électriques dans des atmosphères explosives, par exemple en présence de liquides, gaz ou poussières inflammables.** Les outils électriques génèrent des étincelles pouvant enflammer les poussières et les vapeurs.
- **Veillez à ce que les enfants et les autres personnes restent éloignés pendant l'utilisation d'un outil électrique.** Un moment d'inattention peut vous faire perdre le contrôle de l'outil.

SÉCURITÉ ÉLECTRIQUE

- **La fiche de l'outil électrique doit correspondre à la prise électrique. Ne modifiez jamais la prise de quelque manière que ce soit. N'utilisez jamais d'adaptateur de prise avec les outils électriques pourvus d'une mise à la terre ou à la masse.** Les fiches non modifiées et les prises électriques appropriées réduisent le risque de choc électrique.
- **Évitez tout contact physique avec des surfaces mises à la terre ou mises à la masse, telles que tuyaux, radiateurs, fours et réfrigérateurs.** Il y a un risque accru de choc électrique si votre corps est relié à la terre ou à la masse, directement ou indirectement.

- **N'exposez pas les outils électriques à la pluie ou à un environnement mouillé.** Si de l'eau pénètre dans un outil électrique, cela accroît le risque de choc électrique.
- **Prenez soin du câble d'alimentation. N'utilisez jamais le câble d'alimentation pour porter, tirer ou débrancher l'outil électrique. Veillez à ce que le câble d'alimentation n'entre jamais en contact avec de l'huile, des pièces mobiles, des arêtes tranchantes, et ne soit jamais exposé à de la chaleur.** Les câbles d'alimentation endommagés ou emmêlés augmentent le risque de choc électrique.
- **Quand vous utilisez un outil électrique en extérieur, utilisez une rallonge électrique adaptée à un usage en extérieur.** L'utilisation d'une rallonge conçue pour un usage en extérieur permet de réduire le risque de choc électrique.
- **Si l'utilisation d'un outil électrique dans un endroit humide est inévitable, utilisez une alimentation protégée par un dispositif à courant différentiel résiduel (RCD).** L'utilisation d'un DDR réduit le risque de choc électrique.

SÉCURITÉ DES PERSONNES

- **Restez vigilant, soyez attentif à ce que vous faites et faites preuve de bon sens lors de l'utilisation d'un outil électrique. N'utilisez pas un outil électrique quand vous êtes fatigué ou sous l'emprise de l'alcool, de stupéfiants ou de médicaments.** Un moment d'inattention pendant l'utilisation des outils électriques peut provoquer des blessures corporelles graves.
- **Utilisez des équipements de protection individuelle. Portez toujours une protection oculaire.** L'utilisation d'équipements de protection appropriés aux conditions de travail, tels qu'un masque anti-poussières, des chaussures de sécurité antidérapantes, un casque et des protections auditives, permet de réduire les risques de blessures corporelles.
- **Évitez les démarrages accidentels. Vérifiez que l'interrupteur marche/arrêt est dans la position arrêt avant de brancher l'outil dans une prise électrique et/ou une batterie, de le saisir ou de le transporter.** Porter les outils électriques avec le doigt sur leur interrupteur ou les brancher dans une alimentation électrique alors que leur interrupteur est dans la position marche augmente le risque d'accident.

- **Retirez toutes les clés de réglage et de serrage avant de mettre l'outil électrique en marche.** Une clé de réglage ou de serrage laissée sur une pièce rotative de l'outil électrique peut provoquer des blessures corporelles.
- **N'essayez pas de travailler des endroits difficiles à atteindre. Conservez en permanence des appuis des pieds solides et un bon équilibre.** Cela permet un meilleur contrôle de l'outil électrique en cas de situations inattendues.
- **Portez une tenue adaptée. Ne portez pas de vêtements amples ni de bijoux. Maintenez vos cheveux, vêtements et gants éloignés des pièces mobiles.** Les vêtements amples, les bijoux et les cheveux longs peuvent se prendre dans les pièces mobiles.
- **Si un outil est conçu pour être utilisé avec des dispositifs d'extraction et de récupération des poussières, veillez à ce que ces dispositifs soient raccordés et correctement utilisés.** L'utilisation de dispositifs antipoussières permet de réduire les dangers liés aux poussières.
- **Veillez à ne pas devenir trop sûr de vous et ne cessez pas de respecter les principes de sécurité même si vous vous sentez familiarisé à l'utilisation de l'outil.** La négligence peut provoquer des blessures graves en une fraction de seconde.

UTILISATION ET ENTRETIEN DE L'OUTIL ÉLECTRIQUE

- **Ne forcez pas l'outil électrique. Utilisez l'outil électrique approprié au travail que vous voulez effectuer.** L'utilisation d'un outil approprié au travail à effectuer permet d'effectuer ce travail plus efficacement, avec une sécurité accrue et au rythme pour lequel l'outil a été conçu.
- **N'utilisez pas l'outil électrique si son interrupteur marche/arrêt ne permet pas de l'allumer et de l'éteindre.** Tout outil électrique qui ne peut pas être contrôlé par son interrupteur marche/arrêt est dangereux et doit être réparé.
- **Débranchez la fiche électrique de la prise secteur et/ou retirez la batterie de l'outil électrique avant de procéder à des réglages, de changer des accessoires ou de ranger l'outil électrique.** Cette mesure de sécurité préventive réduit le risque de démarrage accidentel de l'outil électrique.
- **Rangez les outils électriques non utilisés hors de portée des enfants. N'autorisez pas les personnes non familiarisées avec l'outil électrique ou ce manuel d'utilisation l'utiliser.** Les outils électriques

sont dangereux dans les mains de personnes inexpérimentées.

- **Entretenez les outils électriques et les accessoires. Inspectez-les pour vérifier qu'aucune pièce mobile n'est grippée ou mal alignée, qu'aucune pièce n'est cassée, et pour tout autre problème qui pourrait affecter leur fonctionnement. Si un outil électrique est endommagé, il doit être réparé avant d'être réutilisé.** Beaucoup d'accidents sont dus à des outils électriques mal entretenus.
- **Veillez à ce que les accessoires de coupe restent affûtés et propres.** Des accessoires de coupe bien entretenus et bien affûtés risquent moins de se coincer et sont plus faciles à contrôler.
- **Utilisez l'outil électrique, ses accessoires, mèches/embouts et toutes les autres pièces conformément aux présentes instructions, en prenant en compte les conditions d'utilisation et le travail à effectuer.** Utiliser l'outil électrique à d'autres finalités que celles pour lesquelles il a été conçu peut engendrer des situations dangereuses.
- **Maintenez les poignées et surfaces de préhension propres, sèches et exemptes d'huile et de graisse.** Des poignées et surfaces de préhension glissantes peuvent engendrer une prise non sûre et/ou la perte de contrôle de l'outil.

UTILISATION ET ENTRETIEN DE L'OUTIL SUR BATTERIE

- **Rechargez la batterie exclusivement avec le chargeur spécifié par le fabricant.** Un chargeur adapté à un type de batterie en particulier peut présenter un risque d'incendie s'il est utilisé avec une batterie différente.
- **Utilisez les outils électriques exclusivement avec les batteries spécifiées.** L'utilisation de toute autre batterie peut créer un risque de blessures et d'incendie.
- **Lorsque la batterie n'est pas utilisée, elle doit être rangée à l'écart de tout objet métallique, tel que les trombones, pièces de monnaie, clés, clous, vis et tous les autres petits objets métalliques pouvant mettre en contact ses bornes.** Mettre en court-circuit les bornes de la batterie peut provoquer des brûlures et un incendie.
- **Si la batterie est soumise à des conditions d'utilisation excessives, du liquide peut s'en échapper. Évitez tout contact avec ce liquide. En cas de contact accidentel, rincez à grande eau. En cas de contact avec les yeux, vous devez en outre consulter un médecin.** Le liquide qui s'échappe des batteries peut provoquer des irritations et des brûlures.

- **N'utilisez pas une batterie ou un outil endommagé ou modifié.** Les batteries modifiées ou endommagées peuvent avoir un comportement imprévisible provoquant un incendie, une explosion ou un risque de blessure.
- **N'exposez pas la batterie ou l'outil à des flammes ou à une température excessive.** L'exposition au feu ou à des températures supérieures à 130 °C peut provoquer une explosion.
- **Respectez toutes les instructions de recharge et ne rechargez pas la batterie ou l'outil hors de la plage de température spécifiée dans les instructions.** La recharge incorrecte ou à des températures hors de la plage spécifiée peut endommager la batterie et accroître le risque d'incendie.

RÉPARATION

- **Faites réparer votre outil électrique par un réparateur qualifié qui ne doit utiliser que des pièces de rechange identiques.** Cela garantit que l'outil électrique reste sûr.
- **Ne réparez jamais les batteries endommagées.** La réparation des batteries doit toujours être effectuée par le fabricant ou des réparateurs agréés.

CONSIGNES DE SÉCURITÉ POUR LA TONDEUSE À GAZON SANS FIL

⚠ DANGER: Cet appareil a été conçu pour être utilisé conformément aux règles d'utilisation sécuritaire indiquées dans ce manuel. Comme avec tout autre type d'équipement électrique, la négligence ou une erreur de la part de l'utilisateur peut provoquer des blessures graves. Cet appareil peut blesser les mains et les pieds et projeter des débris. Le non-respect de toutes les consignes de sécurité peut provoquer des blessures graves ou mortelles.

⚠ AVERTISSEMENT: Lorsque vous utilisez la tondeuse à gazon sans fil, respectez toujours un certain nombre de précautions de sécurités élémentaires afin de réduire les risques d'incendie, de choc électrique et de blessures corporelles.

IMPORTANT

**LIRE ATTENTIVEMENT AVANT UTILISATION.
CONSERVER POUR CONSULTATION ULTÉRIEURE.**

**RÈGLES DE SÉCURITÉ POUR LES TONDEUSES SANS FIL :
ATTENTION-NE PAS TOUCHER LES LAMES EN
MOUVEMENT !**

ENTRAÎNEMENT

- Lisez attentivement le manuel d'utilisation. Familiarisez-vous avec les commandes et l'utilisation correcte de l'outil.
- Ne laissez jamais des personnes non familiarisées avec les présentes instructions utiliser cet appareil. Les réglementations locales peuvent restreindre l'âge de l'opérateur.
- N'utilisez jamais la tondeuse si des personnes, notamment des enfants, ou des animaux de compagnies sont à proximité.
- L'opérateur ou l'utilisateur est responsable des accidents ou dommages causés à des tiers ou à leurs biens.

PRÉPARATION

- Portez toujours un pantalon long et des chaussures protectrices pendant la tonte.
- N'utilisez pas l'appareil pieds nus ou en portant des sandales ouvertes. Ne portez pas de vêtements amples ou comportant des nœuds ou des cordons.
- Inspectez minutieusement la zone où l'appareil doit être utilisé et retirez-en toutes les pierres, tous les bâtons, câbles, os et autres objets étrangers.
- Avant l'utilisation, inspectez toujours visuellement les lames, les boulons de lame et l'unité de coupe pour vérifier qu'ils ne sont ni usés ni endommagés. Afin de préserver l'équilibre de la machine, changez toujours les lames et les écrous en même temps. Les étiquettes illisibles ou abîmées doivent être remplacées.

UTILISATION

- Tondez exclusivement à la lumière du jour ou sous une lumière artificielle suffisante.
- Évitez autant que possible d'utiliser l'outil sur de l'herbe humide.
- Sur les pentes, soyez toujours sûr de vos appuis.
- Marchez, ne courez jamais.
- Si vous utilisez une tondeuse rotative à roues, tondez toujours perpendiculairement à la pente, jamais dans le sens de la pente que ce soit vers le haut ou vers le bas.
- Soyez extrêmement prudent(e) lorsque vous changez de direction sur une pente.
- N'essayez pas de passer la tondeuse sur des pentes trop raides.
- Faites extrêmement attention quand vous faites demi-tour ou que vous tirez la tondeuse vers vous.

- Mettez le moteur hors tension et attendez que les lames se soient complètement arrêtées si vous devez incliner la tondeuse pour la transporter, ou pour lui faire traverser des zones autres que du gazon, ou pour la transporter de/vers les zones à tondre.
- Ne faites jamais fonctionner la tondeuse si ses dispositifs de protection sont défectueux, ou si ses organes de sécurité ne sont pas en place, par exemple les déflecteurs/capots des bouches d'éjection et/ou le sac de récupération.
- Démarrez le moteur en respectant les instructions du manuel d'utilisation et en éloignant vos pieds des lames.
- N'inclinez pas la machine quand vous mettez le moteur en marche, sauf si la machine doit être inclinée pour le démarrage. Si tel est le cas, inclinez la machine le moins possible et uniquement du côté opposé à l'utilisateur. Assurez-vous toujours que vos deux mains sont en position de manœuvre avant de retourner la machine vers le sol. Ne démarrez pas la machine quand vous êtes placé(e) devant sa bouche d'éjection.
- Ne placez jamais vos mains ni vos pieds près ou sous les parties rotatives. Lors de l'utilisation de tondeuses rotatives, ne vous placez jamais devant la bouche d'éjection.
- Ne soulevez jamais et ne portez jamais la machine si le moteur est en marche.
- Éteignez la machine et retirez sa batterie amovible (ou le dispositif coupe-circuit) et attendez que toutes les pièces mobiles se soient complètement arrêtées avant d'effectuer un réglage ou un nettoyage :
 - À chaque fois que vous laissez la tondeuse sans surveillance ;
 - Avant d'enlever une obstruction ou de dégager la bouche d'éjection.
 - Avant d'inspecter, de nettoyer ou de manipuler la machine ;
 - Après avoir percuté un objet étranger. Inspectez la machine pour vérifier qu'elle n'est pas endommagée et faites effectuer les réparations nécessaires.
- Si la machine commence à vibrer anormalement (inspectez-la immédiatement).
 - Inspectez-la pour vérifier qu'elle n'est pas endommagée ;
 - Réparez ou changez les pièces endommagées ;
 - Vérifiez que toutes les pièces sont serrées et resserrez les pièces desserrées.
- Veillez à ce que tous les écrous, vis et boulons soient bien serrés, afin de vous assurer que la tondeuse est en bon état de marche.
- Inspectez fréquemment le sac de récupération pour vérifier qu'il n'est ni usé ni détérioré.
- Pour des raisons de sécurité, les pièces usées ou endommagées doivent être changées.
- Le nettoyage et l'entretien par l'utilisateur ne doivent pas être effectués par des enfants sans surveillance.
- Lors de la maintenance de la lame, gardez à l'esprit qu'elle reste en rotation un certain temps après l'arrêt du moteur.
- Pour les tondeuses rotatives, utilisez exclusivement des lames de rechange du type approprié.

SÉCURITÉ DES PERSONNES

Un accident grave risque de se produire si l'opérateur ne reste pas très vigilant en présence d'enfants. Les enfants sont souvent attirés par la machine et la tonte de l'herbe. Ils ne comprennent pas les dangers. Ne supposez jamais qu'ils resteront là où vous les avez vus la dernière fois.

- Veillez à ce que les enfants restent hors de la zone de tonte et soient constamment surveillés par un adulte responsable autre que l'opérateur.
- Restez sur vos gardes et éteignez la tondeuse si un enfant entre dans la zone de tonte.
- Faites extrêmement attention quand vous vous approchez d'angles sans visibilité, de passages de porte, d'arbustes, d'arbres ou d'autres objets pouvant vous empêcher de voir un enfant qui peut courir vers la tondeuse.
- Il convient de surveiller les enfants pour s'assurer qu'ils ne jouent pas avec la tondeuse.
- Éteignez toujours la tondeuse avant de retirer la batterie de la tondeuse. Mettez le moteur hors tension et attendez que les lames se soient complètement arrêtées si vous devez incliner la tondeuse pour la transporter, ou pour lui faire traverser des zones autres que du gazon, ou pour la transporter de/vers les zones à tondre.

UTILISATION FONCTIONNEMENT GÉNÉRAL

- Lisez ce manuel d'utilisation attentivement et intégralement avant d'essayer d'assembler cette machine. Lisez, comprenez et suivez toutes les instructions sur la machine et dans le manuel avant de l'utiliser. Avant d'utiliser cette tondeuse, familiarisez-vous avec toutes ses commandes et son utilisation correcte. Conservez ce manuel dans un endroit sûr pour pouvoir le consulter ultérieurement et régulièrement, et pour commander des pièces de rechange.
- Utilisez l'outil approprié – N'utilisez pas la tondeuse à

gazon pour un travail autre que celui pour lequel elle a été conçue.

- N'essayez pas d'atteindre des endroits difficiles à atteindre – Gardez toujours des appuis solides et conservez constamment un bon équilibre.
- Les objets percutés par la lame de la tondeuse à gazon peuvent provoquer des blessures corporelles graves. La pelouse doit toujours être soigneusement examinée et débarrassée de tous les objets avant chaque tonte.
- Avant de vous déplacer en arrière et lorsque vous vous déplacez en reculant, regardez derrière vous et en bas pour voir s'il n'y a pas de jeunes enfants ou d'autres personnes.
- Cette machine n'est pas un jouet. Vous devez donc toujours faire extrêmement attention. Cette machine a été conçue pour effectuer une tâche précise : tondre le gazon. Ne l'utilisez pas pour tout autre usage.
- Ne forcez pas la tondeuse à gazon – Elle effectuera un meilleur travail et avec une sécurité accrue au rythme pour lequel elle a été conçue.
- Avant l'utilisation, inspectez toujours visuellement les lames, les boulons de lame et l'unité de coupe pour vérifier qu'ils ne sont ni usés ni endommagés. Changez en même temps les lames, les boulons et tous les autres composants usés ou endommagés pour préserver l'équilibre. Remplacez les étiquettes endommagées ou illisibles.
- Faites extrêmement attention quand vous faites demi-tour ou que vous tirez la tondeuse vers vous.
- Inspectez soigneusement la zone où l'outil doit être utilisé. Retirez toutes les pierres, tous les bâtons, fils, jouets et autres objets étrangers pouvant vous faire trébucher ou être happés et projetés par la lame. Les débris projetés peuvent causer des blessures graves. Planifiez votre circuit de tonte pour éviter d'évacuer des débris sur la route, le trottoir ou les observateurs. Évitez également d'évacuer des débris sur les murs ou sur d'autres obstacles. Ceux-ci pourraient alors ricocher vers l'utilisateur.
- Pour aider à éviter le contact avec la lame ou une blessure due à des objets projetés, restez dans la zone de l'opérateur derrière le guidon et veillez à ce que les enfants, les autres personnes, les assistants et les animaux restent éloignés d'au moins 30 mètres de la tondeuse pendant son utilisation. Arrêtez la machine si quelqu'un pénètre dans la zone de travail.
- Portez toujours des lunettes de sécurité ou un masque de sécurité pendant l'utilisation et pendant tout réglage ou réparation afin de protéger vos yeux. Les objets

éjectés par cette machine peuvent causer de graves blessures aux yeux. Portez toujours un masque de protection ou un masque anti-poussières lorsque l'endroit est poussiéreux.

- Soyez correctement vêtu(e) – Ne portez pas de vêtement ample ni de bijou. Ils pourraient se prendre dans les pièces mobiles. Le port de gants et de chaussures en caoutchouc est recommandé lorsque vous travaillez à l'extérieur. Portez des chaussures robustes à semelle épaisse et des vêtements bien ajustés. Une chemise et un pantalon qui protègent les bras et les jambes et des chaussures à bout d'acier sont recommandés. N'utilisez jamais la tondeuse si vous êtes pieds nus ou si vous portez des sandales ou des chaussures glissantes ou légères (par exemple, des chaussures en toile).
- Ne mettez jamais vos mains ni vos pieds près des pièces rotatives ou sous le carénage de l'outil. Le contact avec la lame peut blesser les mains et les pieds.
- Un capot de bouche d'éjection manquant ou endommagé peut provoquer le contact avec la lame et des blessures dues à des objets projetés.
- De nombreuses blessures sont provoquées par le passage de la tondeuse sur les pieds de l'opérateur lorsque celui-ci tombe parce qu'il a trébuché ou glissé. Ne tenez pas la tondeuse si vous tombez ; lâchez immédiatement le guidon.
- Ne tirez jamais la tondeuse derrière vous quand vous marchez. Si vous devez tirer la tondeuse en arrière pour l'éloigner d'un mur ou d'un obstacle, regardez d'abord en bas et en arrière pour éviter de trébucher, puis procédez comme suit :
 - Reculez par rapport à la tondeuse jusqu'à tendre complètement vos bras.
 - Vérifiez que vous avez un bon équilibre et les pieds stables.
 - Tirez lentement la tondeuse vers vous, mais pas de plus de la moitié de la distance vous en séparant.
 - Répétez cette procédure autant que nécessaire.
- N'utilisez pas la tondeuse quand vous êtes sous l'influence de l'alcool ou de stupéfiants.
- Soyez toujours sur vos gardes et regardez ce que vous êtes en train de faire. Faites preuve de bon sens. N'utilisez pas la tondeuse lorsque vous êtes fatigué(e).
- Le levier de contrôle du moteur/lame est un dispositif de sécurité. N'essayez jamais de fausser son fonctionnement. Cela rendrait le dispositif de sécurité inopérant et pourrait causer des blessures par contact avec la lame rotative. La manette de contrôle du moteur et de la lame doit pouvoir fonctionner librement dans les deux directions et retourner automatiquement à la position retirée lorsque vous la relâchez.

- Évitez de passer la tondeuse à gazon dans les endroits humides et détrempés.
 - N'utilisez pas l'outil sous la pluie.
 - Ayez toujours des appuis sûrs. Une glissade ou une chute peut causer des blessures graves. Si vous sentez que vous perdez l'équilibre, relâchez immédiatement la manette de contrôle du moteur et de la lame. La lame s'arrêtera de tourner dans trois secondes.
 - Arrêtez la lame avant de passer sur des allées, routes ou passages recouverts de gravier.
 - Si la machine commence à vibrer anormalement, éteignez le moteur et inspectez immédiatement la machine pour en trouver la cause. Les vibrations indiquent généralement qu'il y a un problème.
 - Inspectez-la pour vérifier qu'elle n'est pas endommagée ;
 - Réparez ou changez toute pièce endommagée remplaçable par l'utilisateur.
 - Vérifiez que toutes les pièces sont serrées et resserrez les pièces desserrées.
 - N'utilisez jamais la tondeuse sans la protection arrière, le capot de la bouche d'éjection, le sac de récupération, l'accessoire de paillage, le déflecteur d'éjection latérale, le levier de contrôle du moteur/lame et les autres dispositifs de protection et de sécurité appropriés assemblés et fonctionnels. N'utilisez jamais la tondeuse si des dispositifs de sécurité sont endommagés. Cela pourrait entraîner des blessures.
 - Si des situations non couvertes par ce manuel se produisent, faites preuve de prudence et de bon sens. Contactez le centre de réparation EGO pour lui demander conseil.
 - La batterie doit être retirée de la machine avant la mise au rebut.
 - La batterie doit être mise au rebut d'une manière sûre.
- Observez le sol pour éviter les trous, les omières, les pierres, les objets cachés et les bosses, car ils peuvent vous faire glisser ou trébucher. Le gazon peut cacher des obstacles quand il est haut.

À ne pas faire :

- Ne tondez pas près de dénivelés brutaux, d'accotements et de trous, car vous pourriez perdre vos appuis ou votre équilibre.
- Ne tondez pas sur des pentes supérieures à 15°.
- Ne tondez pas de l'herbe mouillée. Une position instable pourrait causer un glissement.

ENTRETIEN

AVERTISSEMENT: Les éléments du sac de déchets de coupe, du couvercle d'évacuation, de la sortie d'évacuation latérale, du raccord pour déchetage et de l'écran postérieur peuvent s'user et être endommagés et, par conséquent, exposer les pièces mobiles ou causer la projection de débris, ce qui augmente le risque de blessure. Par mesure de sécurité, vérifiez souvent tous les éléments et, s'ils sont endommagés, remplacez-les immédiatement avec des pièces identiques à celles figurant dans ce guide. Communiquez avec le service à la clientèle EGO ou le centre de service EGO le plus proche, et les changements de pièce ou les réparations doivent être effectués par un réparateur qualifié !

- Si la protection contre la surcharge intégrée à la tondeuse se déclenche souvent, contactez le service client EGO ou le centre de réparation EGO le plus proche.
- Ne lavez pas la tondeuse avec un tuyau. Veillez à ce que de l'eau ne pénètre pas dans le moteur ni sur les connexions électriques.
- Retirez la clé et rangez la tondeuse à gazon non utilisée en intérieur quand vous ne l'utilisez pas. Attendez que le moteur ait refroidi avant de ranger l'outil dans une enceinte fermée. La tondeuse doit être rangée dans un endroit sec, surélevé ou verrouillé, hors de portée des enfants.
- Les réparations ne doivent être effectuées qu'avec les pièces de rechange identiques listées dans ce manuel d'utilisation. L'utilisation de pièces non conformes aux spécifications d'origine de l'outil peut provoquer un fonctionnement inapproprié et compromettre la sécurité.
- Retirez ou débranchez la batterie avant de réparer ou nettoyer la tondeuse et avant de retirer du matériau de la tondeuse.
- Respectez les instructions de changement des accessoires.

UTILISATION SUR UNE PENTE :

Les blessures graves causées par des chutes par glissade se produisent souvent dans des pentes. Sur les pentes, soyez toujours sûr de vos appuis. Les travaux effectués sur un terrain en pente exigent des précautions supplémentaires. Si vous ne vous sentez pas à l'aise sur une pente, n'utilisez pas la tondeuse.

A faire :

- Tondez perpendiculairement à la pente, jamais vers le haut ni vers le bas. Soyez extrêmement prudent(e) lorsque vous changez de direction sur une pente.

- Veillez à ce que les poignées restent propres, sèches et exemptes d'huile et de graisse.
- Pour réduire le risque d'incendie, veillez à ce que le carter du moteur reste exempt de toute accumulation d'herbe, de feuilles et de débris.
- Inspectez fréquemment les boulons de fixation du moteur et de la lame pour vérifier qu'ils sont correctement serrés. Inspectez également visuellement la lame pour vérifier qu'elle n'est pas endommagée (par exemple tordue, ébréchée ou usée). Changez la lame exclusivement par une lame de rechange identique listée dans ce manuel.
- Entretenez votre tondeuse avec soin – Veillez à ce que la lame de la tondeuse reste affûtée et propre pour des performances optimales et sécurisées. Les lames de tondeuse sont tranchantes et peuvent couper. Recouvrez la lame ou portez des gants et soyez très prudent lorsque vous en faites l'entretien.
- Ne retirez jamais et ne modifiez jamais les dispositifs de sécurité. Inspectez-les régulièrement pour vérifier leur bon fonctionnement. Ne faites jamais rien qui pourrait interférer avec la fonction prévue d'un dispositif de sécurité ou qui pourrait réduire la protection fournie par un dispositif de sécurité.
- Arrêtez toujours le moteur avant d'effectuer un réglage sur une roue ou de régler la hauteur de coupe.
- Après avoir percuté un objet étranger, arrêtez le moteur, retirez la clé et inspectez soigneusement la tondeuse pour vérifier qu'elle n'est pas endommagée. Faites réparer les détériorations avant d'utiliser à nouveau la machine.
- Entretenez ou changez les marquages d'instruction et de sécurité tel que requis. Communiquez avec le service à la clientèle EGO ou le centre de service EGO le plus proche, et les changements de pièce ou les réparations doivent être effectués par un réparateur qualifié !
- **CONSERVEZ CES INSTRUCTIONS.** Consultez-les fréquemment et servez-vous-en pour instruire les autres personnes devant utiliser cette tondeuse. Si vous prêtez cet appareil à quelqu'un, prêtez-lui également ces instructions afin d'empêcher une utilisation inadéquate du produit et des blessures potentielles.

UTILISATION ET ENTRETIEN DE LA BATTERIE

- Afin de préserver les ressources naturelles, recyclez les batteries ou mettez-les au rebut d'une manière appropriée. Ce produit contient des batteries lithium-ion. Les lois locales ou nationales interdisent de jeter les batteries au lithium-ion avec les ordures ménagères classiques. Contactez l'organisme local de gestion des déchets pour obtenir des informations concernant les possibilités existantes de mise au rebut et/ou de recyclage.
- Lors du retrait de la batterie pour la recycler ou la mettre au rebut, recouvrez ses contacts avec du ruban adhésif épais. N'essayez pas de détruire ou de démonter la batterie ni de retirer l'un de ses composants. Les batteries au lithium-ion épuisées doivent être recyclées ou éliminées selon une méthode appropriée. Ne touchez jamais leurs contacts avec des objets métalliques et/ou des parties de votre corps, car cela peut provoquer un court-circuit. Gardez la batterie hors de portée des enfants. Ne pas respecter ces mises en garde peut provoquer des blessures graves et/ou un incendie.
- **SI LA BATTERIE EST SOUMISE À DES CONDITIONS ABUSIVES, DU LIQUIDE PEUT S'EN ÉCHAPPER. ÉVITEZ TOUT CONTACT AVEC CE LIQUIDE. EN CAS DE CONTACT ACCIDENTEL, RINCEZ À GRANDE EAU. SI DU LIQUIDE ENTRE EN CONTACT AVEC LES YEUX, VOUS DEVEZ EN OUTRE CONSULTER UN MÉDECIN.** Le liquide qui s'échappe de la batterie peut provoquer des irritations et des brûlures.

SPÉCIFICATIONS

Numéro de modèle	LM2020E	LM2020E-SP
Système d'avancement automatique	Pas	Oui
Tension	56 V	56 V
Régime à vide	3000 /min	3000 /min
Hauteur de coupe	25-95 mm	25-95 mm
Température de fonctionnement recommandée :	0°C-40°C	0°C-40°C
Température de stockage recommandée :	-20°C-70°C	-20°C-70°C
Différentes hauteurs de coupe	6	6
Taille du carénage	51 cm	51 cm
Largeur de coupe	50 cm	50 cm
Volume du bac de ramassage	60 L	60 L
Poids de la tondeuse (sans batterie, maankattolisäke)	24,4 kg	27,2 kg
Modèle de lame	AB2001	AB2001

Niveau de puissance acoustique mesuré L_{WA}	91,5 dB(A) K=1,80 dB(A)	91,0 dB(A) K=1,89 dB(A)
Niveau de pression acoustique au niveau des oreilles de l'opérateur L_{PA} K=3 dB(A)	79,5 dB(A)	79,2 dB(A)
Niveau de puissance acoustique garantie L_{WA} (conformément à la norme 2000/14/CE)	93 dB(A)	93 dB(A)
Vibration a_{vy} K=1,5 m/s ²	Poignée gauche	≤2,5 m/s ²
	Poignée droite	≤2,5 m/s ²
Frein de lame	Oui	Oui

- La valeur totale des vibrations indiquée a été mesurée selon une procédure conforme à une méthode de test standardisée et peut servir pour comparer différents outils.
- La valeur totale des vibrations indiquée peut également servir pour effectuer une première évaluation de l'exposition.

REMARQUE: Le niveau de vibrations lors de l'utilisation réelle de l'outil peut être différent de la valeur déclarée totale en fonction de la manière dont l'outil est utilisé ; Afin de protéger l'opérateur, l'utilisateur doit porter des gants et des protecteurs d'oreilles en conditions réelles d'utilisation.

CONTENU DE L'EMBALLAGE

NOM DE PIÈCE	QUANTITÉ
Tondeuse	1
Sac de déchets de coupe	1
Cadre du sac de déchets de coupe	1
Insert pour déchetage	1
Sortie d'évacuation latérale	1
Clé de sécurité	1
Manuel d'utilisation	1

DESCRIPTION

DESCRIPTION DE VOTRE TONDEUSE
(Images A, B, C, D et E)

42

TONDEUSE SANS FIL AU LITHIUM-ION DE 56 VOLTS — LM2020E / LM2020E-SP

1. Levier d'interrupteur (Levier d'interrupteur)
2. Guidon
3. Bouton de sécurité
4. Levier d'avancement automatique
5. Fixation de guidon
6. Bac de ramassage
7. Levier de réglage de la hauteur de coupe
8. Roue arrière
9. Capot de la bouche d'éjection latérale
10. Carénage de la tondeuse
11. Lampes avant à LED
12. Carénage de la tondeuse
13. Bac de ramassage
14. Couvercle du logement de la batterie
15. Poignée arrière
16. Levier de réglage rapide
17. Capot de la bouche d'éjection arrière
18. Barre de guidon latérale
19. Levier de contrôle de la vitesse d'avancement automatique
20. Bouclier arrière
21. Interrupteur des lampes à LED
22. Indicateur de fonctionnement
23. Bouton de déblocage de la batterie
24. Logement de la clé de sécurité
25. Obturateur de mulching
26. Déflecteur d'éjection latérale

UTILISATION

ASSEMBLAGE DU SAC DE DÉCHETS DE COUPE

- 1) Glissez le sac de déchets de coupe sur le cadre (Image F).
- 2) Fixez les attaches supérieures sur le cadre (Image G), puis fixez les deux attaches latérales. Fixez ensuite l'attache inférieure.
- 3) Le bac de ramassage entièrement assemblé est montré sur l'image H.

RÉGLER LE GUIDON PLIANT

AVERTISSEMENT : N'essayez pas de démarrer la tondeuse tant que son guidon n'est pas verrouillé dans l'une des trois positions de travail pré-réglées (POSITION

DE TRAVAIL HAUTE, POSITION DE TRAVAIL MÉDIANE ou POSITION DE TRAVAIL BASSE).

Votre tondeuse est fournie avec son guidon replié dans la POSITION DE RANGEMENT VERROUILLÉE (Image I).

- 1) Maintenez le levier de réglage rapide appuyé pour débloquer le guidon de la POSITION DE RANGEMENT VERROUILLÉE (Image H-1).
- 2) Relevez le guidon de sa position repliée, puis relâchez le levier. Faites-le pivoter délicatement vers le haut jusqu'à entendre et sentir que la goupille de blocage s'encastre dans l'une des positions tel que montré sur l'image H.

Image J Description des pièces, voir ci-dessous :

J-1	Position verrouillée pour le remisage
J-2	Position de fixation ou de retrait du sac de déchets de coupe
J-3	Position d'utilisation supérieure
J-4	Position de travail médiane
J-5	Position d'utilisation inférieure

ASSEMBLER/RETIRER LE BAC DE RAMASSAGE / L'OBTURATEUR DE MULCHING

⚠ AVERTISSEMENT : N'essayez jamais d'effectuer un réglage sur la tondeuse à gazon sans d'abord arrêter le moteur, retirer la clé de sécurité et attendre que la lame se soit arrêtée de tourner.

REMARQUE : Assemblez les accessoires sur la tondeuse a gazon avant de commencer a tondre.

- **Assembler/Retirer le bac de ramassage (Image K)**
Réglez le guidon dans la position de travail appropriée. Relevez le capot de la bouche d'éjection arrière et accrochez le bac de ramassage sur la barre. Pour retirer le bac de ramassage, relevez-le simplement pour le défaire de la barre. Pour terminer, relâchez le capot de la bouche d'éjection arrière.
REMARQUE : Retirez l'obturateur de mulching préinstallé dans la tondeuse avant d'assembler le bac de ramassage sur la tondeuse.
- **Assembler/Retirer l'obturateur de mulching (Image L)**
Relevez le capot de la bouche d'éjection arrière et insérez l'obturateur de mulching dans la tondeuse. Pour le retirer, tirez-le simplement hors de la tondeuse. Pour terminer, relâchez le capot de la bouche d'éjection arrière.
- **Assembler/Retirer le déflecteur d'éjection latérale (Image M)**
Relevez le capot de la bouche d'éjection latérale.

Alignez les rainures du déflecteur d'éjection latérale avec les ergots du capot de la bouche d'éjection latérale et relâchez doucement le capot pour le faire pivoter autour de la barre jusqu'à ce qu'il repose solidement sur le déflecteur d'éjection latérale. Pour démonter le déflecteur d'éjection latérale, relevez le capot de la bouche d'éjection latérale, relevez le déflecteur et défaites-le des ergots du capot.

Image M Description des pièces, voir ci-dessous :

M-1	Side-discharge Door
M-2	Assembly Knob
M-3	Assembly Slot
M-4	Side-discharge Chute
M-5	Pivot

REMARQUE : L'obturateur de mulching doit être installé lorsque la sortie d'éjection latérale est fixée.

RÉGLER LA HAUTEUR DE COUPE (Image N)

⚠ AVERTISSEMENT : Tenez vos pieds loin du plateau de coupe lorsque vous en réglez la hauteur. La tondeuse peut être réglée à 6 hauteurs de coupe différentes variant de 25 mm à 95 mm. Choisissez la hauteur de coupe appropriée en fonction du type et de l'état du gazon.

REMARQUE : Lorsque vous déplacez l'outil, assurez-vous que la taille de coupe est ajustée à la position 3 ou plus. Ne pas respecter cette exigence peut endommager la lame.

INSÉRER/RETIRER LA BATTERIE (Image O)

Utilisez exclusivement les batteries et les chargeurs listes a la fig. A.

RECHARGEZ LA BATTERIE AVANT LA PREMIÈRE UTILISATION.

⚠ AVERTISSEMENT : S'il y a des pièces manquantes ou endommagées, ne tentez pas d'installer le bloc-batterie sur la tondeuse ou de faire fonctionner celle-ci tant que les pièces manquantes ou endommagées n'ont pas été remplacées. Cela pourrait provoquer des blessures graves.

- **Insertion**
Poussez sur le bloc-batterie jusqu'à ce que vous entendiez un « clic ». Le bouton d'éjection de la batterie se relèvera lorsque le bloc-batterie est solidement fixé.
- **Retrait**
Appuyez sur le bouton de déblocage de la batterie dans le logement de la batterie.

Image O Description des pièces, voir ci-dessous :

0-1	Logement de la clé de sécurité
0-2	Clé de sécurité
0-3	Bouton de déblocage de la batterie

FR

REMARQUE : Avant d'utiliser l'appareil, assurez-vous que le verrou de la tondeuse se loge en place et que le bloc-batterie est bien fixé.

DÉMARRER ET ÉTEINDRE LA TONDEUSE

⚠ AVERTISSEMENT : L'utilisation de toute tondeuse peut provoquer la projection de corps étrangers dans les yeux et ainsi entraîner des lésions oculaires graves. Portez toujours des lunettes de sécurité lorsque vous utilisez la tondeuse, ainsi que lors d'un réglage ou d'une réparation.

⚠ AVERTISSEMENT : Veillez à ce que les autres personnes et les animaux restent à au moins 30m de la tondeuse lorsqu'elle est en marche.

⚠ AVERTISSEMENT : La lame continuera à tourner pendant quelques secondes après l'arrêt de la tondeuse. Attendez que le moteur et les lames cessent de tourner avant de remettre la tondeuse en marche. N'arrêtez et ne redémarrez pas rapidement la tondeuse.

CLÉ DE SÉCURITÉ

Pour éviter un démarrage accidentel ou une utilisation non autorisée de votre tondeuse sans fil, une clé de sécurité amovible a été incorporée dans la conception de votre tondeuse. La tondeuse est entièrement désactivée quand la clé de sécurité a été retirée de la tondeuse.

⚠ DANGER : Les lames en rotation peuvent provoquer des blessures graves. Pour éviter des blessures graves, retirez la clé de sécurité quand la tondeuse n'est pas surveillée, avant d'effectuer un réglage, un nettoyage, une réparation, avant de la transporter, de la soulever ou de la ranger.

REMARQUE : Le moteur ne peut pas être mis en marche si :

- la poignée n'est pas verrouillée dans l'une des positions d'utilisation
- les barres latérales ne sont pas complètement allongées (Image P).
- les deux pinces vertes de verrouillage de la poignée ne sont pas bien fermées (Image Q).

Q-1	ligne d'indication
-----	--------------------

⚠ ATTENTION : N'essayez pas de fausser le fonctionnement du bouton de sécurité et du levier d'interrupteur.

Démarrer l'outil

- 1) Insérez la batterie dans la tondeuse, insérez la clé de sécurité dans le logement prévu et fermez le couvercle du logement de la batterie (Image O).
- 2) Conformément à l'image R, appuyez sur le bouton de sécurité.
- 3) Lorsque l'interrupteur est enfoncé, tirez l'interrupteur de désengagement vers le haut jusqu'à le guidon et relâchez le bouton de sécurité (Image S).

Éteindre l'outil

- 1) Relâchez le levier d'interrupteur.
- 2) Le frein électrique du mécanisme de freinage automatique stoppe la rotation de la lame dans les 3 secondes après que vous ayez relâché le levier d'interrupteur.

SYSTÈME D'AVANCEMENT AUTOMATIQUE À VITESSE VARIABLE (LM2020E-SP)

La tondeuse LM2020E-SP est pourvue d'un système d'avancement automatique à vitesse variable. Ce système est indépendant de l'interrupteur marche/arrêt de la lame, il ne dépend pas de la rotation de la lame.

Pour faire fonctionner le système sans rotation de la lame, tirez la gâchette automotrice vers le guidon.

Pour l'éteindre, relâchez le levier d'avancement automatique.

La vitesse du système est variable. Pour accroître la vitesse, déplacez le levier de contrôle de la vitesse d'avancement automatique vers l'avant. Pour réduire la vitesse, déplacez le levier de contrôle de la vitesse d'avancement automatique vers l'arrière (Image T).

Utilisation avec la lame en rotation pour tondre :

1. Démarrez la tondeuse à gazon
2. Tout en maintenant l'interrupteur de désengagement contre le guidon avec la main gauche, tirez la gâchette automotrice vers le guidon avec votre main droite.
3. Maintenez l'interrupteur de désengagement et la gâchette automotrice simultanément contre le guidon avec votre main droite et utilisez votre main gauche pour régler le levier automoteur de contrôle de la vitesse afin de choisir une vitesse adéquate.

⚠ AVERTISSEMENT : Pour réduire le risque de blessure, n'essayez jamais de fausser le fonctionnement du système d'avancement automatique ou du système de l'interrupteur. Utilisez la fonction d'avancement automatique exclusivement à l'usage pour lequel elle a été conçue.

LAMPES DE TRAVAIL À LED DE LA TONDEUSE (Image A-13)

Appuyez sur l'interrupteur (Image C-22) pour allumer/éteindre les lampes de travail à LED sur l'avant du logement de la batterie.

INDICATEUR DE FONCTIONNEMENT DE LA TONDEUSE (Image U)

La tondeuse est munie d'un indicateur de mise en marche qui indique la capacité de charge du bloc-batterie et l'état de fonctionnement de la tondeuse. L'indicateur de mise en marche s'allume lorsque la lame tourne ou lorsque les phares à DEL sont allumés.

Indicateur de mise en marche de la tondeuse	Signification	Action
Brille en vert	La tondeuse fonctionne correctement, la batterie dispose d'au moins 15% de sa charge.	N/A
Brille en rouge	Batterie faible.	Arrêtez la tondeuse et chargez la batterie
Clignote en rouge	La batterie est presque déchargée	Arrêtez la tondeuse et chargez la batterie
Brille en orange	La tondeuse ou le bloc- batterie est en surchauffe.	Enlevez la batterie de la tondeuse, mettez-les à l'ombre et laissez-les refroidir au moins 15 minutes.
Clignote en orange	La tondeuse est en surcharge.	Ralentissez votre rythme ou élevez la hauteur de coupe pour diminuer la charge.

PROTECTION CONTRE LA SURCHARGE DE LA TONDEUSE

Pour éviter les surcharges, n'essayez pas de couper trop d'herbe en même temps. Ralentissez votre rythme ou relevez la hauteur de coupe.

Votre tondeuse est pourvue d'une protection intégrée contre la surcharge. Si la tondeuse est en surcharge, son moteur s'arrête et son indicateur de fonctionnement clignote en orange. Retirez la batterie de la tondeuse. Inspectez le dessous du carénage pour voir si des herbes s'y sont accumulées et enlevez-les si nécessaire, puis réinsérez la batterie et redémarrez la tondeuse.

PROTECTION CONTRE LA SURCHAUFFE DE LA BATTERIE

Le bloc-batterie génère de la chaleur lorsque la tondeuse est en marche. Lorsqu'il fait chaud, la chaleur se dissipe plus lentement. Si la température du bloc-batterie dépasse 70 °C, le circuit de protection éteint immédiatement la tondeuse pour éviter d'endommager le bloc-batterie. Un voyant orange s'allume sur l'indicateur de mise en marche.

Relâchez la poignée de désengagement, attendez que le bloc-batterie ait refroidi jusqu'à une température d'environ 67 °C, puis redémarrez la tondeuse.

ENTRETIEN

⚠ AVERTISSEMENT : Afin de vous prémunir contre des blessures corporelles graves, retirez toujours la clé de sécurité et la batterie de la tondeuse avant toute opération de nettoyage ou d'entretien.

⚠ AVERTISSEMENT : L'outil ne doit être réparé qu'avec des pièces de rechange identique. L'utilisation de toute autre pièce peut créer un danger ou détériorer le produit. Pour garantir la sécurité et la fiabilité, toutes les réparations et tous les changements de pièce doivent être effectués par un réparateur qualifié.

NETTOYER LA TONDEUSE À GAZON

⚠ AVERTISSEMENT : Retirez toujours la clé de sécurité et la batterie pendant l'entretien ou le transport de la tronçonneuse.

Le dessous du carénage de la tondeuse doit être nettoyé après chaque utilisation, car les herbes coupées, les feuilles, la terre et les autres débris s'y accumulent. Cette accumulation est indésirable, car elle favorise la rouille et la corrosion des pièces métalliques et réduit l'efficacité de coupe de la tondeuse.

Enlevez les feuilles et les herbes accumulées sur et autour de l'axe d'entraînement (uniquement le modèle LM2020E-SP) et du ventilateur du moteur (n'utilisez pas d'eau). Essuyez la tondeuse avec un chiffon humidifié pour la nettoyer.

DÉMONTER/ASSEMBLER LA LAME

⚠ AVERTISSEMENT : Protégez toujours vos mains en portant des gants épais ou en enroulant les bords coupants de la lame dans des chiffons ou d'autres matériaux lors de l'entretien de la lame de la tondeuse.

Démonter la lame (Image W)

REMARQUE : Si le boulon tourne avec l'axe du moteur lors du desserrage du boulon, tournez le ventilateur à la main pour aligner les trous du ventilateur avec les trous de la lame et placez une autre tige métallique dans les trous alignés

■ Assembler la lame

Procédez comme montré sur l'image V. Placez le ventilateur du côté du carénage et placez le côté imprimé de la lame vers l'extérieur, alignez les trous du ventilateur avec les trous de la lame (Image X), puis vissez la lame comme montré sur l'image X.

Images V et W Description des pièces, voir ci-dessous :

V-1	Ventilateur	V-5	Boulon
V-2	Bride interne	W-1	Stabilisateur 1
V-3	Lame	W-2	Stabilisateur 2
V-4	Bride externe	W-3	Clé de 14 mm

Assembler la lame

- Procédez comme montré sur l'image V. Placez le ventilateur du côté du carénage et placez le côté imprimé de la lame vers l'extérieur, alignez les trous du ventilateur avec les trous de la lame (Image W), puis vissez la lame comme montré sur l'image X.

RANGER LA TONDEUSE À GAZON

- Retirez le bloc-batterie de la tondeuse et remisez-le dans un endroit frais et sec.
- Remisez la tondeuse dans un endroit couvert, fermé, frais et sec, hors de portée des enfants.
- Ne couvrez pas la tondeuse d'une feuille de plastique solide. Les couvertures de plastique emprisonnent l'humidité autour de la tondeuse, ce qui provoque rouille et corrosion.
- La tondeuse peut être rangée verticalement ou horizontalement (Image Z).

⚠ AVERTISSEMENT : Si la tondeuse se renverse à partir de la position verticale, cela pourrait l'endommager ou causer des blessures. Assurez-vous que la tondeuse est toujours stable et hors de portée des enfants lorsqu'elle est en position verticale. Dans la mesure du possible, remisez-la à plat.

Protection de l'environnement



Ne jetez pas les équipements électriques, les chargeurs de batterie, les batteries rechargeables et les piles avec les ordures ménagères !

Conformément à la direction européenne 2012/19/EU, les équipements électriques et électroniques qui ne sont plus utilisables, et conformément à la directive européenne 2006/66/CE, les batteries rechargeables et les piles usagées ou défectueuses doivent être collectés séparément.

Si les appareils électriques sont jetés dans des décharges ou des dépôts d'ordures, des substances dangereuses peuvent s'infiltrer jusque dans la nappe phréatique et entrer dans la chaîne alimentaire, avec un effet néfaste sur votre santé et votre bien-être.

DÉPANNAGE

⚠ AVERTISSEMENT: Retirez toujours la clé de sécurité et le bloc-batterie lorsque vous procédez à l'entretien de la tondeuse ou que vous la transportez. Protégez-vous toujours les mains en portant des gants épais ou en recouvrant les bords coupants à l'aide de chiffons ou d'autres matériaux lorsque vous effectuez des opérations d'entretien de la lame de la tondeuse.

FR

PROBLÈME	CAUSE	SOLUTION
La tondeuse ne démarre pas.	<ul style="list-style-type: none"> ■ La batterie est déchargée. ■ La batterie n'est pas placée dans le logement de la batterie. ■ La batterie ou les circuits de la tondeuse sont trop chauds. (Un voyant orange s'allume sur l'indicateur de mise en marche pendant 10 secondes.) ■ Les barres latérales ne sont pas allongées à la longueur maximale et les pinces ne sont pas verrouillées en place. ■ La poignée n'est pas réglée dans l'une des deux positions d'utilisation. ■ Le plateau de coupe est obstrué d'herbe et de débris. 	<ul style="list-style-type: none"> ■ Rechargez la batterie. ■ Insérez la batterie dans la tondeuse, appuyez dessus jusqu'à entendre un déclic. ■ Laissez la batterie ou la tondeuse refroidir jusqu'à ce que sa température devienne inférieure à 67°C. ■ Allongez complètement la poignée et verrouillez les pinces. ■ Réglez la poignée sur l'une des deux positions d'utilisation. ■ Nettoyez le plateau de coupe et assurez-vous que la lame peut bouger librement.
La tondeuse coupe de façon inégale	<ul style="list-style-type: none"> ■ Lame émoussée. ■ La hauteur de coupe n'est pas réglée correctement. ■ La lame n'est pas fixée correctement. 	<ul style="list-style-type: none"> ■ Affûtez ou remplacez la lame. ■ Augmentez la hauteur de coupe du plateau. ■ Remontez la lame, en consultant la section « INSTALLATION DE LA LAME » de ce guide.
La tondeuse s'arrête en cours d'utilisation	<ul style="list-style-type: none"> ■ La batterie est déchargée. ■ La tondeuse est en surcharge. ■ Le plateau de coupe de la tondeuse est obstrué d'herbe et de débris. ■ La batterie ou les circuits de la tondeuse sont trop chauds. (Un voyant orange s'allume sur l'indicateur de mise en marche pendant 10 secondes.) ■ La barre latérale est légèrement rétractée due à la force exercée sur la poignée. 	<ul style="list-style-type: none"> ■ Rechargez la batterie. ■ Augmentez la hauteur de coupe ou ralentissez le rythme de tonte. ■ Nettoyez le plateau de coupe. Augmentez la hauteur ou réduisez la largeur de coupe. ■ Laissez la batterie ou la tondeuse refroidir jusqu'à ce que sa température devienne inférieure à 67°C. ■ Déverrouillez les pinces. Allongez complètement les barres latérales et verrouillez de nouveau les pinces.

PROBLÈME	CAUSE	SOLUTION
La tondeuse ne déchiquette pas correctement	<ul style="list-style-type: none">■ Des brins d'herbe mouillés sont collés sous le plateau.■ La tondeuse est réglée pour couper trop d'herbe.	<ul style="list-style-type: none">■ Attendez que l'herbe sèche avant de la tondre.■ Augmentez la hauteur de coupe du plateau.
Vibration excessive	<ul style="list-style-type: none">■ La lame de coupe n'est pas bien serrée.■ La lame de coupe n'est pas équilibrée.■ La lame coupante est déformée.■ Axe du moteur tordu.	<ul style="list-style-type: none">■ Serrez le boulon de lame.■ Équilibrez la lame en respectant les instructions.■ Remplacez la lame.■ Communiquez avec le centre de service.
Il est impossible de verrouiller les pinces de verrouillage de la poignée en place	<ul style="list-style-type: none">■ Les barres latérales ne sont pas complètement allongées.	<ul style="list-style-type: none">■ Allongez complètement les barres latérales, puis verrouillez les pinces.

GARANTIE

POLITIQUE DE GARANTIE EGO

Rendez-vous sur le site Internet egopowerplus.com pour consulter les termes et conditions complets de la politique de garantie EGO.

¡LEA TODAS LAS INSTRUCCIONES!



LEA EL MANUAL DEL USUARIO

ADVERTENCIA: Para garantizar la seguridad y fiabilidad de la herramienta, confíe cualquier reparación y sustitución de piezas que sea necesaria a personal técnico cualificado.

Uso previsto y uso indebido previsible: El producto está previsto para cortar el césped únicamente en jardines particulares. No debe usarse para segar el césped excesivamente alto, seco o la hierba mojada, por ejemplo pastos, ni para triturar hojas. El producto debe utilizarse únicamente para el fin previsto. Cualquier otro uso se considerará uso indebido.

SÍMBOLOS RELACIONADOS CON LA SEGURIDAD

El propósito de los símbolos de seguridad es el de atraer su atención hacia los posibles peligros que conlleva la utilización del producto. Los símbolos de seguridad y las explicaciones que los acompañan requieren su máxima atención y comprensión. Por sí solos, los símbolos de advertencia no eliminan los posibles peligros que pudieran existir. Las instrucciones y advertencias que aquí se incluyen no son sustitutas en modo alguno de las medidas de prevención adecuadas que deben tomarse para evitar posibles accidentes.

ADVERTENCIA: Antes de utilizar esta herramienta, asegúrese de haber leído y entendido perfectamente todas las instrucciones incluidas en este Manual del usuario, incluidos todos los símbolos de aviso sobre seguridad, tales como **PELIGRO**, **ADVERTENCIA** y **PRECAUCIÓN**. De no observarse todas las instrucciones proporcionadas a continuación podría existir un riesgo de incendio, electrocución, así como de lesiones físicas graves.

SIGNIFICADO DE LOS DISTINTOS SÍMBOLOS

SÍMBOLO DE AVISO DE SEGURIDAD: señala algún tipo de **PELIGRO**, **ADVERTENCIA** o **PRECAUCIÓN** a tener en cuenta. Este símbolo podrá utilizarse de manera conjunta con otros símbolos o pictogramas.

ADVERTENCIA: Cuando se utilizan herramientas eléctricas, es posible que salgan despedidos objetos que podrían causar lesiones oculares graves. Antes de empezar a usar herramientas eléctricas, póngase siempre gafas de seguridad, gafas con cristales anti-impacto que cuenten con pantallas de protección lateral y una máscara facial completa cuando sea necesario. Recomendamos usar una máscara de seguridad de amplia visión que pueda utilizarse encima de gafas graduadas, o bien gafas normales de seguridad equipadas con pantallas laterales.

ES

INSTRUCCIONES RELACIONADAS CON LA SEGURIDAD

Esta página muestra y describe los símbolos de seguridad que puede haber en este producto. Asegúrese de leer, entender perfectamente y observar todas las instrucciones estampadas o proporcionadas con el producto antes de proceder a su montaje y utilización.

	Aviso de seguridad	Se trata de precauciones relacionadas con su seguridad.
	Leer el Manual del usuario	Para reducir en lo posible el riesgo de lesiones, será necesario leer y entender perfectamente el Manual del usuario antes de proceder a utilizar este producto.
	Tener cuidado con la cuchilla, ya que está muy afilada.	La cuchilla sigue girando durante unos instantes tras haber apagado el motor - Accione el dispositivo de bloqueo o corte de alimentación del motor antes de proceder a efectuar tareas de mantenimiento en la herramienta. Desconecte y retire el acumulador recargable (o accione el dispositivo de bloqueo o corte de alimentación) antes de efectuar ajustes o limpiar la herramienta.
	Mantener a terceros apartados de la zona donde se esté utilizando la herramienta	Asegúrese de que las personas y los animales domésticos se mantengan a una distancia de seguridad prudente de al menos 30 metros de la zona donde se esté utilizando el cortacésped.
	Mantener los pies y las manos lejos	Mantener los pies y las manos lejos
	CE	Este producto cumple las directivas de la CE aplicables.

	UKCA	Este producto cumple la legislación aplicable del Reino Unido.
	WEEE	Los productos eléctricos no deben eliminarse con la basura doméstica. Líveelos a un centro de reciclaje autorizado.
	Ruido	Nivel de potencia acústica garantizado. La emisión de ruido al medio ambiente cumple la directiva de la Comunidad Europea.
IPX4	Símbolo de tipo de protección IP	Protección de nivel 4 contra la penetración de agua
V	Voltios	Tensión
A	Amperios	Corriente
Hz	Hercios	Frecuencia (ciclos por segundo)
W	Vatios	Potencia eléctrica
min	Minutos	Tiempo
	Corriente alterna	Tipo de corriente
	Corriente continua	Tipo o característica de la corriente
n_0	Velocidad en vacío	Velocidad de giro, sin carga
.../min	Por minuto	Revoluciones por minuto

MEDIDAS DE SEGURIDAD GENERALES PARA HERRAMIENTAS ELÉCTRICAS

⚠ ADVERTENCIA: LEA TODAS LAS ADVERTENCIAS, INSTRUCCIONES, ILUSTRACIONES Y ESPECIFICACIONES INCLUIDAS CON ESTA HERRAMIENTA ELÉCTRICA. Si no se cumplen todas las instrucciones que se enumeran a continuación, pueden producirse descargas eléctricas, incendios o lesiones graves.

CONSERVE TODAS LAS INSTRUCCIONES Y ADVERTENCIAS PARA PODER CONSULTARLAS EN EL FUTURO.

El término «herramientas eléctricas» que aparece en las advertencias se refiere tanto a aquellas herramientas que funcionan conectadas a la red eléctrica (mediante cable) como a aquellas otras que funcionan con batería

(inalámbricas).

SEGURIDAD EN LA ZONA DE TRABAJO

- **Mantenga la zona de trabajo limpia y bien iluminada.** Las áreas de trabajo desordenadas y oscuras favorecen los accidentes.
- **No ponga en funcionamiento las herramientas eléctricas en entornos explosivos como, por ejemplo, donde haya líquidos inflamables, gases o polvo.** Las herramientas eléctricas generan chispas que podrían actuar como detonante de vapores y partículas de polvo inflamables.
- **Mantenga a los niños y las demás personas alejados cuando esté utilizando una herramienta eléctrica.** Las distracciones podrían hacerle perder el control de la herramienta.

SEGURIDAD ELÉCTRICA

- **El enchufe de la herramienta eléctrica debe corresponder con la toma de corriente. No modifique nunca el enchufe de ningún modo. Nunca utilice enchufes adaptadores con herramientas eléctricas equipadas con conexión a tierra.** Utilizando enchufes no modificados y tomas de corriente adecuadas se reduce el riesgo de descarga eléctrica.
- **Evite cualquier contacto corporal con superficies conectadas a tierra, como tuberías, radiadores, hornillos eléctricos y frigoríficos.** Existe un mayor riesgo de descarga eléctrica si su cuerpo tiene conexión a tierra.
- **No exponga las herramientas eléctricas a la lluvia o a la humedad.** Si penetra agua en una herramienta eléctrica, aumentará el riesgo de descarga eléctrica.
- **No maltrate el cable. Nunca utilice el cable para transportar, arrastrar o desenchufar la herramienta eléctrica. Mantenga el cable alejado del calor, el aceite, los bordes afilados o las piezas móviles.** Los cables dañados o enredados aumentan el riesgo de descarga eléctrica.
- **Cuando use una herramienta eléctrica al aire libre, utilice un cable alargador adecuado para uso en exteriores.** Si se usa un cable adecuado para exteriores, se reducirá el riesgo de descarga eléctrica.
- **Si es inevitable usar una herramienta eléctrica en un entorno húmedo, utilice una alimentación con interruptor diferencial (RCD).** La utilización de un interruptor de protección diferencial reducirá el riesgo de electrocución.

SEGURIDAD PERSONAL

- **Manténgase alerta, preste atención a lo que está haciendo y aplique el sentido común durante el uso de una herramienta eléctrica. No utilice herramientas eléctricas cuando esté cansado o si se encuentra bajo los efectos de drogas, alcohol o fármacos.** Cuando se están usando herramientas eléctricas, cualquier falta de atención, aunque sea por un instante, puede provocar lesiones graves.
- **Utilice equipo de protección personal. Utilice siempre protección ocular.** El equipo de protección, como máscaras antipolvo, calzado de seguridad antideslizante, casco protector o protección auditiva, cuando se utiliza adecuadamente, reduce las lesiones personales.
- **Evite la puesta en marcha accidental de la herramienta. Asegúrese de que el interruptor de encendido se encuentra en la posición de apagado antes de enchufar la herramienta a la red eléctrica y/o de acoplar el batería, así como al agarrar o transportar la herramienta.** Si lleva una herramienta eléctrica con el dedo puesto sobre el interruptor, o si enchufa una herramienta eléctrica con el interruptor encendido, pueden producirse accidentes.
- **Retire cualquier llave de ajuste o llave inglesa de la herramienta antes de encenderla.** Una llave inglesa o una llave de ajuste enganchada a una parte giratoria de la herramienta puede producir lesiones físicas.
- **No se estire demasiado para alcanzar lugares de difícil acceso. Mantenga una posición firme y equilibrada en todo momento.** De este modo podrá controlar mejor la herramienta eléctrica en situaciones inesperadas.
- **Utilice ropa adecuada. No lleve ropa holgada ni joyas. Mantenga el pelo, la ropa y los guantes alejados de las piezas móviles.** La ropa holgada, así como las joyas o el pelo largo podrían engancharse en las partes móviles de la herramienta.
- **Si se incluyen dispositivos de conexión a extractores y colectores de polvo, asegúrese de conectarlos y utilizarlos adecuadamente.** La utilización de dispositivos colectores de polvo puede reducir los peligros ocasionados por el polvo.
- **El hecho de haberse familiarizado con la herramienta por el uso frecuente no debe hacer que se descuide e ignore los principios de seguridad.** Una distracción puede provocar lesiones graves en una fracción de segundo.
- **No fuerce la herramienta eléctrica. Utilice la herramienta eléctrica adecuada para la tarea que vaya a realizar.** La herramienta correcta funcionará mejor y con más seguridad a la velocidad para la que ha sido diseñada.
- **No use la herramienta si el interruptor no funciona para encenderla y apagarla.** Toda herramienta que no se puede controlar con el interruptor es peligrosa y debe repararse.
- **Asegúrese siempre de retirar el enchufe de la toma de corriente y/o el acumulador de las herramientas eléctricas antes de ajustarlas, cambiar sus accesorios o guardarlas.** Estas medidas de seguridad reducen el riesgo de que la herramienta se ponga en marcha por accidente.
- **Guarde las herramientas eléctricas apagadas fuera del alcance de niños y no deje que las usen personas que no estén familiarizadas con estas instrucciones o con las herramientas.** Las herramientas eléctricas son peligrosas si las usan personas sin experiencia.
- **Cuide las herramientas eléctricas y sus accesorios. Compruebe si hay elementos móviles desalineados o trabados, piezas rotas u otra circunstancia que pueda afectar al funcionamiento de la herramienta. Si la herramienta eléctrica está dañada, llévela a reparar antes de usarla.** Muchos accidentes se deben a un mantenimiento deficiente de las herramientas eléctricas.
- **Mantenga las herramientas de corte afiladas y limpias.** Las herramientas de corte bien afiladas tienen menos probabilidades de atascarse y son más fáciles de controlar.
- **Use la herramienta eléctrica, los accesorios, las brocas, etc., siguiendo las instrucciones y teniendo en cuenta las condiciones de trabajo y la tarea a realizar.** El uso de las herramientas eléctricas para fines diferentes a los previstos puede dar lugar a situaciones de peligro.
- **Mantenga las asas y las superficies de agarre secas, limpias y libres de aceite y grasa.** Las asas y las superficies de agarre resbaladizas pueden provocar un uso no seguro y la pérdida del control de la herramienta.

ES

UTILIZACIÓN Y CUIDADO DE LAS HERRAMIENTAS ELÉCTRICAS

UTILIZACIÓN Y MANTENIMIENTO DE HERRAMIENTAS A BATERÍA

ES

- **Recargue únicamente con el cargador especificado por el fabricante.** Un cargador que es adecuado para un tipo de batería podría ocasionar un incendio si se utiliza con una batería distinta.
- **Utilice herramientas eléctricas solamente con las baterías diseñadas específicamente para ellas.** El uso de cualquier otro tipo de batería puede provocar riesgo de lesiones e incendio.
- **Cuando no se esté utilizando la batería, manténgala apartada de objetos metálicos como clips para papeles, monedas, llaves, clavos, tornillos, o cualquier otro objeto metálico pequeño que pudiera provocar un cortocircuito en sus terminales de corriente.** Si se provoca el cortocircuito en los terminales de la batería, podrían producirse quemaduras o incendios.
- **En condiciones de uso intensivo, es posible que se produzca una fuga de ácido de los acumuladores; evite el contacto. Enjuague con agua si se produce un contacto accidental. Si el líquido entra en contacto con los ojos, solicite también atención médica.** El líquido emanado de la batería podría causar irritación o quemaduras.
- **No utilice una batería o una herramienta que haya sido modificada o que esté dañada.** Las baterías dañadas o modificadas pueden tener un comportamiento impredecible y provocar un incendio, explosión o riesgo de lesiones.
- **No exponga la batería ni la herramienta al fuego ni a una temperatura excesiva.** La exposición al fuego o a una temperatura superior a 130 °C podría provocar una explosión.
- **Siga todas las instrucciones de carga y no cargue la batería ni la herramienta fuera del rango de temperatura especificado en las instrucciones.** Una carga incorrecta o a temperaturas fuera del rango especificado puede dañar la batería y aumentar el riesgo de incendio.

SERVICIO TÉCNICO

- **Asegúrese de que las reparaciones que deban efectuarse en sus herramientas eléctricas las lleve a cabo personal técnico cualificado que, además, utilice únicamente piezas de recambio idénticas a las originales.** De este modo, podrá garantizarse la seguridad de uso de la herramienta eléctrica.
- **No repare nunca baterías que estén dañadas.** Las baterías solo debe repararlas el fabricante o un centro de servicio técnico autorizado.

NORMAS DE SEGURIDAD PARA EL CORTACÉSPED INALÁMBRICO

⚠ PELIGRO: Esta herramienta ha sido diseñada para utilizarse conforme a las normas de uso seguro incluidas en este manual. Al igual que sucede con cualquier equipo eléctrico, cualquier descuido o error por parte del usuario puede provocar lesiones graves. Esta herramienta puede provocar lesiones en manos y pies, así como lanzar objetos. Si no se cumplen todas las instrucciones de seguridad, podrían producirse lesiones graves o incluso mortales.

⚠ ADVERTENCIA: Cuando se utilicen cortacéspedes inalámbricos, deberán adoptarse siempre ciertas precauciones de seguridad básicas a fin de reducir posibles riesgos de incendio, electrocución y lesiones físicas.

IMPORTANTE

LEA DETENIDAMENTE TODAS LAS INSTRUCCIONES ANTES DE UTILIZAR LA HERRAMIENTA. GUÁRDELAS PARA CONSULTARLAS EN EL FUTURO.

NORMAS DE SEGURIDAD PARA CORTACÉSPEDES INALÁMBRICOS:

¡PRECAUCIÓN! ¡NO TOQUE LA CUCHILLA GIRATORIA!

FORMACIÓN

- Lea las instrucciones atentamente. Familiarícese con los controles y el uso correcto del aparato.
- Nunca permita que utilicen la herramienta las personas que no estén familiarizadas con estas instrucciones ni los niños. Es posible que las normativas locales limiten la edad de los usuarios.
- Nunca utilice el cortacésped cuando haya cerca otras personas, especialmente niños, o mascotas.
- El operario o usuario es responsable de cualquier accidente o peligro que se produzca para otras personas o bienes materiales.

PREPARATIVOS PRELIMINARES

- Lleve siempre calzado robusto y pantalones largos cuando utilice el cortacésped.
- No utilice la herramienta cuando vaya descalzo o lleve puestas sandalias abiertas. Evite llevar ropa holgada o de la que cuelguen cordones o cintas.
- Examine minuciosamente la zona donde vaya a utilizarse la herramienta y elimine piedras, ramas, cables, huesos o cualquier otro objeto extraño.
- Antes de utilizar la herramienta, examine las cuchillas, sus tornillos y el conjunto del sistema de

corte por si presentasen desgaste o daños. Sustituya simultáneamente las cuchillas dañadas o desgastadas con sus tornillos para mantener así el equilibrio correcto del conjunto. Reemplace las etiquetas dañadas o ilegibles.

FUNCIONAMIENTO

- Utilice el cortacésped solo a plena luz del día o cuando haya una iluminación artificial adecuada.
- Siempre que sea posible, evite utilizar la herramienta para cortar hierba húmeda.
- Asegúrese siempre de tener los pies firmemente apoyados sobre el suelo cuando utilice la herramienta en pendientes.
- Desplácese caminando, sin correr nunca.
- En el caso de cortacéspedes rotativos con ruedas, corte la hierba desplazándose perpendicularmente a la pendiente y no cuesta arriba o cuesta abajo.
- Extreme la precaución al cambiar de dirección mientras utiliza la herramienta en pendientes.
- No corte el césped en terrenos excesivamente inclinados.
- Extreme la precaución al retroceder o al tirar hacia usted de la herramienta.
- Pare la(s) cuchilla(s) en caso de que sea necesario inclinar el cortacésped para transportarlo, así como al atravesar superficies que no sean de hierba y al transportarlo hasta y desde su lugar de uso.
- Nunca utilice la herramienta con las protecciones dañadas o sin los dispositivos de seguridad instalados, por ejemplo, los deflectores o los recogedores de hierba.
- Arranque el motor siguiendo las instrucciones y con los pies bien apartados de la cuchilla o cuchillas.
- No incline la herramienta mientras arranca el motor, a menos que sea estrictamente necesario inclinarla para poder ponerla en marcha. En ese caso, no incline la herramienta más de lo absolutamente necesario y eleve únicamente la parte que queda más alejada del usuario. Asegúrese siempre de colocar ambas manos en la posición de utilización de la herramienta antes de volver a apoyarla en el suelo. No ponga en marcha la máquina estando delante de la tobera de descarga.
- No coloque manos o pies cerca o debajo de los elementos en rotación. En el caso de cortacéspedes rotativos, manténgase apartado en todo momento de la tobera de descarga.
- Nunca levante ni transporte una herramienta con el motor en marcha.
- Desconecte la batería y quítela (o el dispositivo de

bloqueo) y asegúrese de que todas las piezas móviles se hayan parado completamente antes de hacer ajustes o limpiar la herramienta:

- siempre que vaya a dejar la herramienta;
- antes de eliminar un bloqueo o desatascar la descarga;
- antes de comprobar, limpiar o realizar trabajos en el aparato;
- tras haber golpeado algún objeto extraño. En tal caso, examine la herramienta por si hubiera sufrido daños y efectúe las reparaciones que sean necesarias.
- En caso de que se produzcan vibraciones anormales en la herramienta (verifique inmediatamente):
 - Compruebe si está dañada;
 - sustituya o repare las piezas dañadas;
 - compruebe si hay piezas flojas y apriételas.

ES

MANTENIMIENTO Y ALMACENAMIENTO

- Cuando realice ajustes en la herramienta, tenga cuidado para evitar atraparse los dedos entre las cuchillas en movimiento y las partes fijas del aparato.
- Mantenga todas las tuercas, pernos y tornillos bien apretados para garantizar que la herramienta esté en condiciones de funcionar de forma segura.
- Compruebe frecuentemente el recogedor de hierba para ver si está desgastado o deteriorado.
- Por razones de seguridad, sustituya las piezas desgastadas o dañadas.
- Las tareas de limpieza y mantenimiento no deben ser realizadas por niños sin supervisión.
- Cuando realice tareas de mantenimiento en las cuchillas, tenga en cuenta que, a pesar de haber apagado la fuente de corriente, las cuchillas pueden seguir girando.
- En el caso de cortacéspedes rotativos, asegúrese de utilizar únicamente el tipo correcto de cuchilla de recambio.

SEGURIDAD PERSONAL

Podrían producirse accidentes trágicos si el usuario no se percata de la presencia de niños. Los niños suelen sentir curiosidad tanto por el cortacésped como por la operación de corte de hierba. No siempre son conscientes de los peligros implicados. No suponga nunca que los niños permanecerán en el mismo lugar donde los haya visto anteriormente.

- Mantenga a los niños apartados de la zona donde se esté cortando la hierba y asegúrese de que estén supervisados por un adulto responsable que no sea el usuario.
- Manténgase alerta y apague el cortacésped en cuanto algún niño penetre en la zona donde se está utilizando la herramienta.

- Extreme las precauciones al aproximarse a esquinas sin visibilidad, entradas, arbustos, árboles u otros objetos que puedan impedirle percatarse de la presencia de algún niño que pudiese correr hacia el cortacésped.
- Hay que vigilar a los niños para asegurarse de que no jueguen con el cortacésped.
- Apague siempre el cortacésped antes de sacar la batería de la herramienta. Pare la(s) cuchilla(s) en caso de que sea necesario inclinar el cortacésped para transportarlo, así como al atravesar superficies que no sean de hierba y al transportarlo hasta y desde su lugar de uso.

UTILIZACIÓN

FUNCIONAMIENTO GENERAL:

- Lea detenidamente y en su totalidad este manual del usuario antes de intentar montar esta herramienta. Lea, comprenda y siga todas las instrucciones que se indican en la herramienta y en los manuales antes de utilizar el aparato. Familiarícese totalmente con los controles y el uso correcto de la herramienta antes de usarla. Guarde este manual en un lugar seguro para poder consultarlo en el futuro y como referencia para pedir piezas de repuesto.
- Use siempre la herramienta correcta para el trabajo a realizar. No utilice el cortacésped para ninguna otra operación que no sea la prevista.
- No se estire demasiado para alcanzar lugares de difícil acceso. Mantenga en todo momento un buen equilibrio y los pies firmemente apoyados en el suelo.
- Los objetos golpeados por la cuchilla del cortacésped podrían salir despedidos y provocar lesiones graves a las personas. Examine minuciosamente el césped y retire los objetos extraños antes de utilizar el cortacésped.
- Antes y mientras se desplaza hacia atrás con el cortacésped, compruebe que detrás de usted no haya niños pequeños ni otras personas.
- Esta herramienta no es un juguete. Por lo tanto, extreme las precauciones en todo momento. Su herramienta ha sido diseñada para efectuar un trabajo: cortar hierba. No la utilice para ningún otro propósito.
- No fuerce el cortacésped. Realizará el trabajo mejor y de manera más segura a la velocidad para la que ha sido diseñado.
- Antes de utilizar la herramienta, examine las cuchillas, sus tornillos y el conjunto del sistema de corte por si presentasen desgaste o daños. Sustituya simultáneamente las cuchillas desgastadas o dañadas junto con sus tornillos y demás componentes, para mantener el equilibrio del conjunto. Reemplace las etiquetas dañadas o ilegibles.
- Extreme la precaución al retroceder o al tirar hacia usted de la herramienta.
- Examine minuciosamente la zona donde vaya a utilizarse la herramienta. Retire todas las piedras, ramas, alambres, juguetes y demás objetos extraños que podría suponer un riesgo de tropiezo o ser golpeado por la cuchilla y salir despedido. Los objetos lanzados podrían causar lesiones graves. Planifique su recorrido para evitar la descarga de material hacia la calzada, aceras y otras personas que se encuentren cerca. Evite también la descarga de material hacia paredes u obstáculos desde donde podría rebotar hacia el usuario.
- Para evitar el contacto con la cuchilla o las lesiones debido a objetos lanzados, manténgase en la zona del usuario detrás del manillar, y mantenga a los niños u otras personas y a las mascotas a una distancia mínima de 30 m del cortacésped mientras esté en uso. Pare inmediatamente la herramienta si alguien entra en la zona donde se está utilizando.
- Proteja sus ojos utilizando siempre gafas de seguridad o gafas con cristales anti-impacto cuando use la herramienta y cuando haga ajustes o reparaciones. Los objetos lanzados que rebotan pueden provocar lesiones oculares graves. Utilice siempre una mascarilla antipolvo si el trabajo genera polvo.
- Utilice ropa adecuada. No lleve puesta ropa holgada ni joyas. Podrían quedar atrapadas en las partes móviles. Se recomienda utilizar de guantes de goma y calzado adecuado cuando trabaje al aire libre. Utilice calzado de trabajo robusto con suelas gruesas, así como pantalones y camisas ajustados. Se recomienda utilizar camisas de manga larga y pantalones largos, así como calzado con punteras de acero. No use nunca esta herramienta descalzo, con sandalias, ni con calzado ligero o que resbale (por ejemplo, zapatillas de lona).
- No ponga las manos o los pies cerca de las piezas giratorias del cortacésped ni debajo de la plataforma de corte. El contacto accidental con la cuchilla puede provocar lesiones en las manos y los pies.
- En caso de que la tapa de la tobera de descarga esté dañada o ausente, existirá el riesgo de contacto con la cuchilla o de sufrir lesiones debido a objetos lanzados.
- Muchas las lesiones se producen porque el cortacésped para por encima del pie debido a una caída por un tropiezo o resbalón. Si sufre una caída, no se agarre al cortacésped. Suelte inmediatamente el manillar.
- Nunca tire del cortacésped hacia atrás en dirección a usted mientras camina. Si tuviera que retroceder con el cortacésped tras haber alcanzado una pared o un obstáculo, mire primero hacia abajo y detrás de usted

para evitar tropezar, y a continuación proceda del modo siguiente:

- Dé un paso hacia atrás para alejarse del cortacésped y poder extender totalmente los brazos.
- Asegúrese de mantener un buen equilibrio y los pies firmemente apoyados en el suelo.
- Tire lentamente del cortacésped hacia atrás, tan solo hasta una distancia equivalente a la mitad de la longitud de sus brazos.
- Repita estos pasos las veces que sean necesarias.
- No utilice el cortacésped si se encuentra bajo los efectos de alcohol o drogas.
- Manténgase alerta y preste atención a lo que hace. Utilice el sentido común. No utilice el cortacésped si está cansado.
- La palanca de control del motor/la cuchilla es un dispositivo de seguridad. No intente nunca puentear su funcionamiento. De lo contrario, el dispositivo de seguridad no funcionaría como es debido y podrían producirse lesiones físicas como consecuencia del contacto con la cuchilla en rotación. La palanca de control del motor/la cuchilla deberá desplazarse fácilmente en ambas direcciones y regresar automáticamente a su posición de desactivación al soltarla.
- Evite los entornos particularmente peligrosos. No utilice el cortacésped en lugares mojados o húmedos.
- No lo utilice bajo la lluvia.
- Asegúrese siempre de tener los pies firmemente apoyados sobre el suelo. Un resbalón o una caída podrían provocar lesiones graves. Si nota que pierde el equilibrio, suelte inmediatamente la palanca de control del motor/ la cuchilla, y la cuchilla dejará de girar al cabo de tres segundos.
- Detenga la cuchilla al cruzar con el cortacésped superficies de grava, caminos, calles, carreteras, etc.
- Si la herramienta empieza a vibrar de forma anómala, apague el motor e investigue inmediatamente la causa. Las vibraciones suelen indicar alguna anomalía.
 - Compruebe si está dañada;
 - sustituya o repare cualquier pieza defectuosa o dañada;
 - compruebe si alguna pieza está floja y apriétela.
 - Nunca utilice el cortacésped sin el faldón trasero, la tapa de la tobera de descarga, la bolsa colectora de hierba, el adaptador para triturado, la tolva de descarga lateral, la palanca de control del motor/ la cuchilla o cualquier otro dispositivo de seguridad

instalado en su sitio y en perfectas condiciones de funcionamiento. Nunca utilice el cortacésped si alguno de sus dispositivos de seguridad está dañado. De lo contrario, podrían producirse lesiones.

- Si se produce alguna situación que no esté incluida en este manual, actúe con cuidado y sentido común. Póngase en contacto con el departamento de atención al cliente de EGO para solicitar ayuda.
- Quite la batería de la herramienta antes de eliminarla.
- La batería deberá eliminarse de manera segura.

ES

UTILIZACIÓN DE LA HERRAMIENTA EN PENDIENTES:

Las pendientes son un factor de riesgo importante en relación con accidentes como resbalones y caídas que pueden resultar en lesiones graves. Asegúrese siempre de tener los pies firmemente apoyados sobre el suelo cuando utilice la herramienta en pendientes. Cuando se use el aparato en pendientes hay que extremar las precauciones. Si se siente inseguro en una pendiente, no utilice el cortacésped en ella.

Proceda como sigue:

- Corte el césped desplazándose perpendicularmente a la pendiente y nunca cuesta arriba o cuesta abajo. Extremar la precaución al cambiar de dirección mientras utiliza la herramienta en pendientes.
- Preste atención a la existencia de socavones, roderas, piedras, objetos ocultos o bultos que puedan hacerle resbalar o tropezar. La hierba alta puede ocultar obstáculos.

Evite lo siguiente:

- No corte el césped cerca de precipicios, zanjas o terraplenes, ya que podría perder pie o el equilibrio.
- No corte el césped en pendientes de más de 15 grados.
- No corte hierba mojada. Una posición inestable de los pies puede provocar resbalones.

SERVICIO TÉCNICO

⚠ ADVERTENCIA: Los componentes de la bolsa colectora de hierba, la tapa de la tobera de descarga, la tolva de descarga lateral, el adaptador para triturado y el faldón trasero pueden sufrir daños y desgaste, que podrían dejar expuestas las piezas móviles o permitir que salga despedido algún objeto, aumentando el riesgo de lesiones. Por razones de seguridad, compruebe con frecuencia todos los componentes y, si están dañados, sustitúyalos inmediatamente por piezas de repuesto idénticas que se indican en este manual. Póngase en contacto con el departamento de atención al cliente de EGO o el centro de servicio técnico de EGO más cercano. Las reparaciones o sustituciones deberá

efectuarlas un técnico cualificado.

- i el interruptor de protección contra sobrecarga incorporado en el cortacésped se activa con frecuencia, póngase en contacto con el departamento de atención al cliente de EGO o el centro de servicio técnico de EGO más cercano.
- No limpie el cortacésped utilizando una manguera. Evite que penetre agua en el motor o en las conexiones eléctricas.
- Retire la llave de seguridad y almacene el cortacésped apagado en interiores cuando no esté en uso. Espere a que el motor se haya enfriado antes de guardarlo en algún espacio cerrado. El cortacésped deberá almacenarse en un lugar seco, elevado o cerrado con llave, fuera del alcance de niños.
- Al efectuar reparaciones, utilice únicamente recambios idénticos que se indican en este manual. La utilización de recambios que no cumplan las especificaciones de los equipos originales podría provocar un funcionamiento incorrecto y reducir la seguridad de la herramienta.
- Quite la batería o desconéctela antes de realizar trabajos de mantenimiento o limpieza, o de retirar material del cortacésped.
- Siga las instrucciones para cambiar accesorios.
- Mantenga las empuñaduras de la herramienta secas, limpias y libres de aceite y grasa.
- Para reducir el riesgo de incendio, mantenga la tapa del motor libre de hierba, hojas y suciedad.
- Compruebe a intervalos frecuentes que los tornillos de sujeción de las cuchillas y el motor están bien apretados. Además, examine visualmente la cuchilla por si presentara daños (por ejemplo, deformación, grietas o desgaste). Tan solo sustituya la cuchilla por otra idéntica a la original especificada en este manual.
- Realice el mantenimiento del cortacésped con cuidado. Mantenga la cuchilla afilada y limpia para obtener un rendimiento seguro y óptimo. La cuchilla del cortacésped está afilada y puede provocar cortes. Envuelva la cuchilla en un paño o utilice guantes y extreme las precauciones al manipularla para su revisión.
- Nunca retire o modifique los dispositivos de seguridad. Compruebe periódicamente su funcionamiento correcto. Nunca lleve a cabo modificaciones que interfieran con el funcionamiento previsto de los dispositivos de seguridad o reduzcan el nivel de protección que ofrecen.
- Apague siempre el motor antes de ajustar una rueda o la altura de corte.

- En caso de haber golpeado un objeto extraño, apague el motor, saque la llave y examine minuciosamente el cortacésped para ver si se ha dañado. Repare cualquier daño antes de volver a utilizar el cortacésped.
- Limpie o sustituya las etiquetas de instrucciones o seguridad cuando sea necesario. Póngase en contacto con el departamento de atención al cliente de EGO o el centro de servicio técnico de EGO más cercano. Las reparaciones o sustituciones deberá efectuarlas un técnico cualificado.
- **GUARDE ESTAS INSTRUCCIONES.** Consúltelas con frecuencia y utilícelas para instruir a otras personas que vayan a utilizar esta herramienta. En caso de prestar esta herramienta a terceros, proporciónelas también estas instrucciones para evitar un uso incorrecto y posibles lesiones.

USO Y CUIDADOS DE LA BATERÍA

- Para contribuir a la conservación de los recursos naturales, recicle o elimine la batería correctamente. Esta herramienta contiene una batería de ion de litio. Las normativas nacionales o locales prohíben la eliminación de baterías de ion de litio junto con la basura doméstica. Consulte a su empresa municipal de recogida de basuras para obtener información acerca de las opciones disponibles para su reciclaje o eliminación.
- Después de quitar la batería para eliminarla o reciclarla, cubra los terminales de la batería con cinta adhesiva reforzada. No intente destruir o desmontar la batería, ni retirar ninguno de sus componentes. Las baterías de ion de litio deben reciclarse o eliminarse correctamente. Además, no toque nunca los terminales con objetos metálicos ni con partes del cuerpo, ya que podría provocar un cortocircuito. Manténgala fuera del alcance de niños. Si no se tienen en cuenta estas advertencias, puede producirse un incendio o lesiones graves.
- **EN CONDICIONES DE USO INTENSO, ES POSIBLE QUE SE PRODUZCA UNA FUGA DE LÍQUIDO DE LA BATERÍA. EVITE EL CONTACTO. ENJUAGUE CON AGUA SI SE PRODUCE UN CONTACTO ACCIDENTAL. SI EL LÍQUIDO ENTRA CON CONTACTO CON LOS OJOS, SOLICITE ATENCIÓN MÉDICA.** El líquido que emana de la batería puede provocar irritaciones o quemaduras.

ESPECIFICACIONES

Número de modelo	LM2020E	LM2020E-SP
Sistema de autopropulsión	No	Sí

Tensión	56 V	56 V	
Velocidad en vacío	3000 /min	3000 /min	
Altura de corte	25-95 mm	25-95 mm	
Temperatura de funcionamiento recomendada:	0°C-40°C	0°C-40°C	
Temperatura de almacenamiento recomendada:	-20°C-70°C	-20°C-70°C	
Posiciones de ajuste de la altura de corte	6	6	
Tamaño de la plataforma de corte	51 cm	51 cm	
Anchura de corte	50 cm	50 cm	
Capacidad de la bolsa colector de hierba	60 L	60 L	
Peso del cortacésped (sin acumulador, adaptador para triturado)	24,4 kg	27,2 kg	
Modelo de cuchilla	AB2001	AB2001	
Nivel de potencia acústica ponderado L_{WA}	91,5 dB(A) K=1,80 dB(A)	91,0 dB(A) K=1,89 dB(A)	
Nivel de presión acústica medido a la altura del oído del usuario L_{pA} K=3 dB(A)	79,5 dB(A)	79,2 dB(A)	
Nivel de potencia acústica garantizado L_{WA} (según 2000/14/CE)	93 dB(A)	93 dB(A)	
Nivel de vibraciones a_{hv} , K=1,5 m/s ²	Empuñadura izquierda	≤2,5 m/s ²	≤2,5 m/s ²
	Empuñadura derecha	≤2,5 m/s ²	≤2,5 m/s ²
Freno de la cuchilla	Sí	Sí	

- El nivel total de vibraciones especificado ha sido medido conforme al método de prueba estándar empleado en la industria y puede utilizarse para efectuar comparaciones entre herramientas.
- Asimismo, el nivel total de vibraciones declarado podrá utilizarse para efectuar una evaluación preliminar de la exposición del usuario a los niveles de vibración generados por la herramienta.

AVISO: Las vibraciones generadas durante el uso real de la herramienta eléctrica podrán diferir del valor declarado en función de la manera en que se utilice. A modo de

protección, el usuario deberá utilizar guantes y protectores auditivos en condiciones reales de uso.

LISTA DE EMBALAJE

DENOMINACIÓN DE PIEZA	CANTIDAD
Cortacésped	1
Bolsa colector de hierba	1
Bastidor de la bolsa colector de hierba	1
Adaptador para triturado	1
Tolva de descarga lateral	1
Llave de seguridad	1
Manual del usuario	1

ES

DESCRIPCIÓN

FAMILIARÍCESE CON EL CORTACÉSPED (Fig. A, B, C, D y E)

- Interruptor del embrague (palanca de conmutación)
- Manillar
- Botón de seguridad
- Gatillo de autopropulsión
- Abrazadera de bloqueo del tubo del manillar
- Bolsa colector de hierba
- Palanca de ajuste de la altura de corte
- Rueda trasera
- Trampilla de descarga lateral
- Plataforma de corte
- Faros tipo LED
- Tapa de cubierta
- Empuñadura delantera
- Tapa del acumulador
- Empuñadura trasera
- palanca de ajuste rápido
- Trampilla de descarga trasera
- Tubo lateral
- Palanca de control de la velocidad de la autopropulsión
- Faldón trasero
- Conmutador de los faros tipo LED
- Testigo de indicación de carga
- Botón de liberación del acumulador

- 24 Ranura para la llave de seguridad
- 25 Adaptador para triturado
- 26 Tolva de descarga lateral

ES

UTILIZACIÓN

MONTAJE DE LA BOLSA COLECTORA DE HIERBA

- 1) Deslice la bolsa colectora en los tubos superiores de su bastidor (Fig. F).
- 2) Enganche las grapas superiores en el bastidor (Fig. G) y, a continuación, enganche las dos grapas laterales. Enganche por último la grapa inferior.
- 3) La bolsa colectora de hierba totalmente montada se muestra en la Fig. H.

AJUSTE DEL MANILLAR PLEGABLE

⚠ ADVERTENCIA: No intente poner en marcha el cortacésped hasta que el manillar esté correctamente bloqueado en una de sus tres posiciones de uso predeterminadas (POSICIÓN ELEVADA MÁXIMA PARA UTILIZACIÓN NORMAL DE LA HERRAMIENTA, POSICIÓN MEDIA PARA UTILIZACIÓN NORMAL DE LA HERRAMIENTA o POSICIÓN ELEVADA MÍNIMA PARA UTILIZACIÓN NORMAL DE LA HERRAMIENTA).

El cortacésped se suministra con el manillar en su posición plegada y BLOQUEADA PARA EL ALMACENAMIENTO (Fig. I).

- 1) Mantenga presionada la palanca de ajuste rápido para liberar el manillar de su POSICIÓN BLOQUEADA PARA EL ALMACENAMIENTO.
- 2) Levante el manillar de la posición plegada, y a continuación suelte la palanca. Con suavidad, eleve el manillar hasta que suene un chasquido y se note que el pasador de bloqueo ha encajado una de las distintas posiciones (Fig. J).

Fig. J, ver abajo la descripción de las piezas:

J-1	Posición bloqueada para el almacenamiento.
J-2	Posición para poder colocar o retirar la bolsa colectora de hierba.
J-2	Posición operativa superior
J-4	Posición operativa central
J-5	Posición operativa inferior

CÓMO COLOCAR O RETIRAR LA BOLSA COLECTORA DE HIERBA/EL ADAPTADOR PARA TRITURADO

⚠ ADVERTENCIA: Nunca proceda a efectuar ajustes en el cortacésped sin detener primero el motor, quitar la llave de seguridad y esperar a que la cuchilla deje de girar.

AVISO: Instale todos los accesorios en el cortacésped antes de utilizarlo.

■ Cómo instalar o retirar la bolsa colectora de hierba (Fig. K)

Ajuste el manillar en la posición adecuada para el funcionamiento. Levante la trampilla de descarga trasera y cuelgue la bolsa colectora de hierba en el eje de bisagra. Para quitarla, solo tiene que levantar la bolsa colectora para desengancharla del eje de bisagra. Por último, suelte la trampilla de descarga trasera.

AVISO: Retire el adaptador para triturado preinstalado del cortacésped antes de colocar la bolsa colectora de hierba.

■ Cómo colocar o retirar el adaptador para triturado (Fig. L)

Levante la trampilla de descarga trasera e inserte el adaptador para triturado en el cortacésped. Para quitarlo, tire de él. Por último, suelte la trampilla de descarga trasera.

■ Cómo colocar o retirar la tolva de descarga lateral (Fig. M)

Levante la trampilla de descarga lateral. Alinee la ranura de la tolva de descarga con el saliente de la trampilla de descarga, y suelte suavemente la trampilla de descarga lateral para que gire alrededor del eje de bisagra, hasta que apoye firmemente sobre la tolva de descarga. Para quitarla, levante la trampilla de descarga lateral y saque la tolva de descarga lateral del saliente de montaje de la trampilla.

Fig. M, ver abajo la descripción de las piezas:

M-1	Trampilla de descarga lateral
M-2	Saliente de montaje
M-3	Ranura de montaje
M-4	Tolva de descarga lateral
M-5	Pivote

AVISO: El adaptador para triturado deberá estar instalado cuando esté acoplada la tolva de descarga lateral.

AJUSTE DE LA ALTURA DE CORTE (Fig. N)

⚠ ADVERTENCIA: Mantenga los pies apartados de la plataforma de corte al ajustar la altura. El cortacésped podrá ajustarse a 6 alturas de corte diferentes, entre 25 mm y 95 mm. Seleccione la altura de corte adecuada según el tipo y estado de la hierba.

AVISO: Al desplazar la herramienta entre ubicaciones distintas para cortar el césped, asegúrese de ajustar la altura de corte a la posición 3 o más elevada. De lo

contrario, podría llegar a dañar la cuchilla.

CONEXIÓN/DESCONEXIÓN DEL ACUMULADOR (Fig. O)

Utilizar solo con los acumuladores y cargadores enumerados en la fig. A.

RECARGAR ANTES DEL PRIMER USO.

⚠ ADVERTENCIA: Si alguna pieza falta o está rota, no intente conectar el acumulador al cortacésped ni ponerlo en marcha hasta haber sustituido las piezas rotas o instalado las que faltan. De ignorarse esta advertencia, podrían producirse lesiones físicas graves.

■ Conexión

Introduzca el acumulador en el compartimento del acumulador hasta oír un “clic”.

■ Desconexión

Pulse el botón de liberación del acumulador en el compartimento del acumulador.

Fig. O, ver abajo la descripción de las piezas:

0-1	Ranura para la llave de seguridad
0-2	Llave de seguridad
0-3	Botón de liberación del acumulador

Aviso: Asegúrese de que el pestillo de enganche del acumulador en el cortacésped haya encajado en su sitio y de que el acumulador esté firmemente sujeto en el compartimento antes de poner en marcha el cortacésped.

PUESTA EN MARCHA Y PARADA DEL CORTACÉSPED

⚠ ADVERTENCIA: Es posible que, al utilizar el cortacésped, salgan despedidos objetos que podrían causar lesiones oculares graves al usuario y a otras personas. Por lo tanto, utilice siempre gafas de seguridad cuando utilice el cortacésped, así como al efectuar en este cualquier ajuste o reparación.

⚠ ADVERTENCIA: Asegúrese de que las personas y los animales domésticos se mantengan a una distancia de seguridad prudente de al menos 30 metros de la zona donde se esté utilizando el cortacésped.

⚠ ADVERTENCIA: La cuchilla continúa girando durante unos segundos después de haber apagado el cortacésped. Espere a que el motor o la cuchilla hayan dejado de girar antes de volver a poner en marcha el cortacésped. No ponga en marcha y apague el cortacésped reiteradamente de forma rápida.

LLAVE DE SEGURIDAD

Para evitar la puesta en marcha accidental o el uso no autorizado de su cortacésped a batería, se ha incorporado en su diseño una llave de seguridad extraíble. El cortacésped se desactivará totalmente en cuanto se retire la llave de seguridad.

⚠ PELIGRO: Mientras gira, la cuchilla podría provocar lesiones físicas graves. Para evitar lesiones graves, asegúrese de quitar la llave de seguridad del cortacésped cuando lo deje desatendido o vaya a proceder a su ajuste, limpieza, mantenimiento, transporte, elevación o almacenamiento.

NOTA: No será posible poner en marcha el motor si no se cumple lo siguiente:

- El manillar está bloqueado en una de sus posiciones de funcionamiento
- Los tubos laterales están totalmente extendidos (Fig. P)
- Ambas abrazaderas verdes de bloqueo del manillar están correctamente cerradas (Fig. Q).

Q-1	línea de indicación
-----	---------------------

⚠ PRECAUCIÓN: Nunca implemente modificaciones que pudieran interferir con el funcionamiento correcto del botón de seguridad o del interruptor del embrague.

Puesta en marcha

- 1) Conecte el acumulador al cortacésped, inserte la llave de seguridad en la ranura para la llave y cierre la tapa del acumulador (Fig. O).
- 2) tal como se muestra en la Fig. R, presione hacia abajo el botón de seguridad.
- 3) Con el botón de seguridad presionado, tire hacia arriba del interruptor del embrague hasta el manillar y suelte el botón de seguridad.

Parada

- 1) Suelte el interruptor del embrague.
- 2) El freno eléctrico incorporado en el mecanismo automático del embrague detendrá la rotación de las cuchillas en un intervalo máximo de 3 segundos después de haberse soltado el interruptor del embrague.

SISTEMA DE AUTOPROPULSIÓN DE VELOCIDAD VARIABLE (LM2020E-SP)

El cortacésped LM2020E-SP está equipado con una función de autopropulsión de velocidad variable. Este sistema es independiente del interruptor de encendido/apagado de la cuchilla; no depende del giro de la cuchilla.

Para utilizar el sistema sin que gire la cuchilla, tire del gatillo de autopropulsión hacia el manillar.

Para apagar la autopropulsión, suelte el gatillo de autopropulsión.

ES

El sistema tiene una velocidad variable. Para aumentar la velocidad, mueva hacia delante la palanca de control de la velocidad de la autopropulsión. Para reducir la velocidad, mueva hacia atrás la palanca de control de la velocidad de la autopropulsión (Fig. T).

Para utilizar con la cuchilla girando para cortar:

1. Ponga en marcha el cortacésped.
2. Sujutando el interruptor del embrague contra el manillar con la mano izquierda, tire del gatillo de autopropulsión hacia el manillar con la mano derecha.
3. Mantenga presionados tanto el interruptor del embrague como el gatillo de autopropulsión simultáneamente contra el manillar con su mano derecha y utilice la mano izquierda para ajustar la palanca de control de velocidad de la autopropulsión para seleccionar una velocidad adecuada.

⚠️ ADVERTENCIA: Para reducir el riesgo de lesiones, no realice nunca modificaciones que pudieran impedir el funcionamiento del conmutador o del sistema de autopropulsión. Use la autopropulsión solo para el fin previsto.

FAROS TIPO LED DEL CORTACÉSPED (Fig. A-13)

Presione el conmutador (Fig. C-22) para encender o apagar los faros tipo LED situados en la parte frontal del compartimento del acumulador.

TESTIGO DE CARGA DEL ACUMULADOR DEL CORTACÉSPED (Fig. U)

El cortacésped incorpora un testigo que indica el nivel de carga del acumulador, así como el estado de funcionamiento del cortacésped. El testigo de carga se iluminará cuando la cuchilla esté girando o cuando los faros tipo LED estén encendidos.

Testigo de carga del acumulador en el cortacésped	Significado	Acción
Encendido permanentemente en verde	El cortacésped funciona correctamente; el acumulador posee al menos el 15% de su carga total	No procede
Encendido permanentemente en rojo	Acumulador bajo de carga	Apague el cortacésped y recargue el acumulador
Parpadeando en rojo	El acumulador está casi agotado	Apague el cortacésped y recargue el acumulador
Encendido permanentemente en ámbar	El cortacésped o el acumulador se han sobrecalentado	Retire el acumulador del cortacésped, desplace ambos a un lugar a la sombra y espere como mínimo 15 minutos a que se hayan enfriado lo suficiente
Parpadeando en ámbar	El cortacésped se ha sobrecargado	Ralentice el ritmo de corte o eleve la altura de corte a fin de disminuir la carga a la que se ve sometida la cuchilla.

PROTECCIÓN POR SOBRECARGA DEL CORTACÉSPED

Para evitar condiciones de sobrecarga, no trate de cortar demasiada cantidad de hierba de una sola pasada. Ralentice el ritmo de corte o eleve la altura de corte.

Su cortacésped incorpora un circuito de protección por sobrecarga. Si el cortacésped llegara a sobrecargarse, el motor se parará y el testigo de carga del acumulador parpadeará en ámbar. Retire el acumulador del cortacésped. Compruebe si se ha acumulado hierba debajo de la plataforma y límpiela en caso necesario, y a continuación instale el acumulador y vuelva a arrancar el cortacésped.

PROTECCIÓN POR SOBRECALENTAMIENTO DEL ACUMULADOR

El acumulador genera calor durante su funcionamiento normal. Dicho calor se disipa con mayor lentitud en tiempo cálido. Si la temperatura del acumulador llega a superar los 70°C durante la utilización del cortacésped, el circuito de protección lo apagará inmediatamente a fin de proteger el acumulador de posibles daños. El testigo de carga del acumulador se iluminará permanentemente en ámbar.

Suelte la palanca del interruptor del embalaje, espere a que el acumulador se haya enfriado hasta alcanzar unos 67°C y vuelva a poner en marcha el cortacésped.

MANTENIMIENTO

⚠ ADVERTENCIA: Para evitar posibles riesgos de lesiones físicas graves, asegúrese siempre de retirar el acumulador y la llave de seguridad del cortacésped antes de proceder a su limpieza o llevar a cabo cualquier tarea de mantenimiento.

⚠ ADVERTENCIA: Cuando efectúe reparaciones en la herramienta, utilice únicamente piezas idénticas a las originales. La utilización de piezas diferentes o no homologadas podría suponer un peligro o causar daños en el producto. Para garantizar la seguridad y fiabilidad de la herramienta, confíe cualquier reparación y sustitución de piezas que sea necesaria a personal técnico cualificado.

LIMPIEZA DEL CORTACÉSPED

⚠ ADVERTENCIA: Retire siempre la llave de seguridad y el acumulador antes de efectuar reparaciones en el cortacésped o proceder a transportarlo.

Deberá limpiarse la superficie inferior de la plataforma del cortacésped después de cada uso, ya que es propensa a acumulaciones de recorte de hierbas, hojas, suciedad y otros materiales. Dichas acumulaciones deben evitarse, ya que fomentan la corrosión y la aparición de óxido en las piezas metálicas, reduciendo así la eficacia de corte del cortacésped.

Elimine cualquier acumulación de hierba y hojas encima o alrededor del eje de accionamiento (solo LM2020E-SP) o el ventilador del motor (no utilice agua). Limpie el cortacésped con un paño húmedo.

DESMONTAJE/INSTALACIÓN DE LA CUCHILLA

⚠ ADVERTENCIA: Proteja siempre sus manos utilizando guantes gruesos o envolviendo los filos cortantes en paños u otros materiales cuando lleve a cabo cualquier operación de mantenimiento en la cuchilla del cortacésped.

- Retirada de la cuchilla (Fig. W)

AVISO: Si el tornillo gira con el eje del motor al aflojarlo, gire manualmente el ventilador para alinear los orificios del ventilador con los de la cuchilla, y coloque otra varilla metálica en los orificios alineados

- Instalación de la cuchilla**

Siguiendo el orden de montaje indicado en la fig. V, con la cuchilla de ventilador indicando hacia la plataforma y el lado impreso de la cuchilla hacia fuera, alinee los orificios del ventilador con los orificios de la cuchilla (Fig. X) y apriete la cuchilla como se muestra en la Fig. X.

Fig. V y W, ver abajo la descripción de las piezas:

V-1	Ventilador	V-5	Tornillo
V-2	Brida interior	W-1	Estabilizador 1
V-3	Cuchilla	W-2	Estabilizador 2
V-4	Brida exterior	W-3	Llave de 14 mm

AVISO: El par de apriete recomendado para el tornillo de la cuchilla es de 49-59Nm.

ALMACENAMIENTO DEL CORTACÉSPED

- Quite el acumulador del cortacésped y guárdelo en un lugar fresco, seco y limpio. No lo guarde junto a materiales corrosivos, tales como fertilizantes o sal gema.
- Almacene su cortacésped en un espacio cubierto, cerrado, fresco y seco, fuera del alcance de niños.
- No cubra el cortacésped con una funda de plástico gruesa. Las fundas de plástico acumulan humedad alrededor del cortacésped, provocando óxido y corrosión.
- El cortacésped se puede guardar verticalmente o plano (Fig. Z).

⚠ ADVERTENCIA: Si el cortacésped llegara a volcarse estando en posición vertical, podría sufrir daños o provocar lesiones físicas. Mantenga siempre el cortacésped en un lugar donde no pueda volcarse y fuera del alcance de niños cuando lo almacene en posición vertical. De ser posible, manténgalo en posición horizontal durante su almacenaje.

Protección del medio ambiente

ES



ES

¡No elimine aparatos eléctricos, cargadores de baterías, acumuladores recargables o baterías junto con los desperdicios domésticos!

Tanto la Directiva europea 2012/19/UE sobre la eliminación de aparatos eléctricos y electrónicos inservibles como la Directiva europea 2006/66/CE sobre la eliminación de baterías o acumuladores defectuosos o agotados estipulan que dichos elementos deben ser objeto de una recogida selectiva.

Si los aparatos eléctricos acabaran tirándose a vertederos o basureros, podrían desprender sustancias perjudiciales que llegarían a contaminar las capas freáticas y entrar en la cadena alimenticia, con el consecuente peligro para la salud y calidad de vida humana.

SOLUCIÓN DE PROBLEMAS

⚠ ADVERTENCIA: Retire siempre la llave de seguridad y el acumulador antes de efectuar reparaciones en el cortacésped o proceder a transportarlo. Proteja siempre sus manos utilizando guantes gruesos o envolviendo los filos cortantes en paños u otros materiales cuando lleve a cabo cualquier operación de mantenimiento en la cuchilla del cortacésped.

ES

ANOMALÍA	CAUSA	SOLUCIÓN
El cortacésped no se pone en marcha.	<ul style="list-style-type: none"> ■ El acumulador está agotado. ■ El acumulador no está montado en su lugar en el compartimento del acumulador. ■ El acumulador o el circuito del cortacésped se han sobrecalentado. (El testigo de carga del acumulador en el cortacésped permanecerá encendido en ámbar durante 10 segundos) ■ Los tubos laterales no están totalmente extendidos y las abrazaderas no están en su posición bloqueada. ■ El manillar no se encuentra en ninguna de sus dos posiciones de funcionamiento. ■ La plataforma del cortacésped está obstruida con restos de hierba y suciedad. 	<ul style="list-style-type: none"> ■ Recargue el acumulador. ■ Conecte el acumulador al cortacésped y presiónelo hasta oír un clic. ■ Espere a que el acumulador o el cortacésped se hayan enfriado lo suficiente hasta que su temperatura sea inferior a 67°C. ■ Extienda totalmente los tubos laterales del manillar y cierre ambas abrazaderas. ■ Ajuste el manillar a una de sus dos posiciones de funcionamiento. ■ Limpie la plataforma del cortacésped y asegúrese de que la cuchilla gira libremente.
El cortacésped no corta de manera uniforme.	<ul style="list-style-type: none"> ■ La cuchilla está embotada. ■ La altura de corte no está correctamente ajustada. ■ La cuchilla no está correctamente instalada. 	<ul style="list-style-type: none"> ■ Afile o sustituya la cuchilla. ■ Eleve la plataforma a una posición que permita una mayor altura de corte. ■ Vuelva a instalar correctamente la cuchilla. Consulte el apartado titulado "MONTAJE DE LA CUCHILLA" que se incluye en este manual.

ANOMALÍA	CAUSA	SOLUCIÓN
El cortacésped se detiene durante el uso.	<ul style="list-style-type: none"> ■ El acumulador está agotado. ■ El cortacésped está sobrecargado. ■ La plataforma del cortacésped está obstruida con restos de hierba y suciedad. ■ El acumulador o el circuito del cortacésped se han sobrecalentado. (El testigo de carga del acumulador en el cortacésped permanecerá encendido en ámbar durante 10 segundos). ■ Los tubos laterales se han replegado ligeramente debido a la fuerza de empuje ejercida en el manillar. 	<ul style="list-style-type: none"> ■ Recargue el acumulador. ■ Aumente la altura de corte o ralentice su ritmo al cortar la hierba. ■ Retire cualquier acumulación de hierba o suciedad de la plataforma del cortacésped. Aumente la altura de corte o corte una menor anchura de césped. ■ Espere a que el acumulador o el cortacésped se hayan enfriado lo suficiente hasta que su temperatura sea inferior a 67°C. ■ Abra las abrazaderas de bloqueo. Extienda totalmente los tubos laterales y vuelva a cerrar las abrazaderas para bloquearlas.
El cortacésped no tritura correctamente la hierba.	<ul style="list-style-type: none"> ■ Hay recortes de hierba húmeda adheridos en la superficie inferior de la plataforma de corte. ■ El cortacésped está ajustado para cortar una elevada cantidad de hierba en cada pasada. 	<ul style="list-style-type: none"> ■ Espere a que la hierba esté seca antes de cortar el césped. ■ Eleve la plataforma a una posición que permita una mayor altura de corte.
La herramienta vibra en exceso	<ul style="list-style-type: none"> ■ La cuchilla está suelta. ■ La cuchilla está desequilibrada. ■ La cuchilla está doblada. ■ El eje del motor está doblado. 	<ul style="list-style-type: none"> ■ Apriete el tornillo de fijación de la cuchilla. ■ Equilibre la cuchilla según las instrucciones proporcionadas en el manual. ■ Sustituya la cuchilla por otra nueva. ■ Póngase en contacto con el servicio de asistencia técnica.
Resulta imposible cerrar las abrazaderas de bloqueo del manillar en su posición correcta.	<ul style="list-style-type: none"> ■ Los tubos laterales no están totalmente extendidos. 	<ul style="list-style-type: none"> ■ Extienda totalmente los tubos laterales y vuelva a cerrar las abrazaderas para bloquearlas.

GARANTÍA

POLÍTICA DE GARANTÍA EGO

Por favor visite nuestra página web egopowerplus.com para los terminos y las condiciones completas de la política de garantía EGO.

LEIA TODAS AS INSTRUÇÕES!



LEIA O MANUAL DE INSTRUÇÕES

AVISO: Para assegurar a segurança e bom funcionamento, todas as reparações e substituições deverão ser efetuadas por um técnico de reparação qualificado.

Uso pretendido e má utilização previsível: O produto foi criado para cortar relva apenas em jardins domésticos. Não deve ser utilizada para cortar relva anormalmente alta, seca ou húmida, por exemplo, relva para pastagem ou para destruir folhas. O produto só deve ser utilizado para o seu uso pretendido. Qualquer outra utilização será considerada má utilização.

SÍMBOLOS DE SEGURANÇA

O objetivo dos símbolos de segurança é chamar a atenção para possíveis perigos. Os símbolos de segurança e as respetivas explicações apresentadas requerem a sua atenção e compreensão. Os avisos de segurança, só por si, não eliminam o perigo. As instruções e avisos dados não são substitutos para medidas de prevenção adequadas a acidentes.

AVISO: Certifique-se de que lê e compreende todas as instruções de segurança neste manual do utilizador, incluindo todos os símbolos de alerta de segurança, como **“PERIGO”**, **“AVISO”**, e **“CUIDADO”** antes de utilizar esta ferramenta. Não seguir todas as instruções apresentadas abaixo pode resultar em choque elétrico, incêndio e/ou lesões graves.

SIGNIFICADO DOS SÍMBOLOS

SÍMBOLO DE ALERTA DE SEGURANÇA: Indica **PERIGO**, **AVISO** ou **CUIDADO**. Pode ser usado juntamente com outros símbolos ou imagens.

AVISO: O funcionamento de qualquer ferramenta elétrica pode dar origem ao ressalto de quaisquer objetos estranhos que podem atingir os olhos, podendo dar origem a sérias lesões oculares. Antes de começar a utilizar a ferramenta elétrica, utilize sempre óculos de segurança com proteções laterais e uma proteção completa para a cara, quando necessário. Recomendamos Máscaras de Segurança com Visão Panorâmica por cima de óculos, ou óculos de segurança padrão com proteção lateral.

INSTRUÇÕES DE SEGURANÇA

Esta página retrata e descreve os símbolos de segurança que podem aparecer neste produto. Leia, compreenda e siga todas as instruções na máquina antes de a tentar montar e utilizar.

	Alerta de segurança	Precauções que envolvam a sua segurança.
	Leia o manual do utilizador	Para reduzir o risco de lesões, o utilizador tem de ler e compreender o manual do utilizador antes de utilizar este produto.
	Tenha cuidado com as lâminas afiadas.	As lâminas continuam a rodar após desligar o motor. Retire o equipamento de desativação antes de proceder à manutenção. Desligue e retire a bateria (ou dispositivo de desativação) antes de efetuar quaisquer ajustes ou limpeza.
	Mantenha terceiros afastados	Certifique-se de que outras pessoas e animais permanecem a, pelo menos, 30m da máquina de cortar relva durante a utilização.
	Mantenha os pés e a mão afastados	Mantenha os pés e a mão afastados
	CE	Este produto encontra-se em conformidade com as diretivas CE aplicáveis.
	UKCA	Este produto está em conformidade com a legislação aplicável do Reino Unido.
	REEE	Os produtos elétricos residuais não deverão ser eliminados juntamente com o lixo doméstico comum. Entregue-os num centro de reciclagem autorizado.
	Ruído	Nível de potência do som garantido. Emissão de ruído para o ambiente de acordo com a diretiva da Comunidade Europeia.
IPX4	Símbolo IP	Proteção contra a entrada de água de grau 4
V	Volts	Tensão
A	Amperes	Corrente
Hz	Hertz	Frequência (ciclos por segundo)
W	Watt	Potência
min	Minutos	Tempo
	Corrente alternada	Tipo de corrente

PT

	Corrente direta	Tipo ou característica da corrente
n_0	Velocidade sem carga	Velocidade de rotação, sem carga
.../min	Por minuto	Rotações por minuto

PT

AVISOS DE SEGURANÇA GERAIS PARA FERRAMENTAS ELÉTRICAS

⚠ AVISO: LEIA TODOS OS AVISOS DE SEGURANÇA, INSTRUÇÕES, ILUSTRAÇÕES E ESPECIFICAÇÕES FORNECIDAS COM ESTA FERRAMENTA ELÉTRICA. Não seguir todas as instruções apresentadas abaixo pode resultar em choque elétrico, incêndio e/ou lesões graves.

GUARDE TODOS OS AVISOS E INSTRUÇÕES PARA FUTURAS REFERÊNCIAS.

O termo “ferramenta elétrica” nos avisos refere-se às suas ferramentas elétricas ligadas à corrente elétrica (com fios) ou ferramentas elétricas que funcionam com bateria (sem fios).

SEGURANÇA NA ÁREA DE TRABALHO

- **Mantenha a área de trabalho limpa e bem iluminada.** As áreas desarrumadas ou escuras convidam a acidentes.
- **Não ligue ferramentas elétricas em atmosferas explosivas, tal como na presença de líquidos inflamáveis, gases ou pó.** As ferramentas elétricas geram faíscas que podem provocar a ignição dos fumos ou pó.
- **Mantenha crianças e terceiros afastados durante a utilização de uma ferramenta elétrica.** As distrações podem fazer com que perca o controlo.

SEGURANÇA ELÉTRICA

- **As fichas da ferramenta elétrica têm de corresponder à tomada. Nunca modifique uma ficha de forma alguma. Não utilize fichas de adaptadores com ferramentas elétricas com ligação à terra.** O uso de fichas não modificadas e tomadas correspondentes reduz o risco de choque elétrico.
- **Evite o contacto do corpo com superfícies ligadas à terra, tais como tubos, radiadores, bases e frigoríficos.** Existe um risco acrescido de choque elétrico se o seu corpo estiver ligado à terra.

- **Não exponha a ferramenta elétrica à chuva ou a condições húmidas.** A entrada de água numa ferramenta elétrica aumentará o risco de choque elétrico.
- **Não force o fio da alimentação. Nunca utilize o fio para transportar, puxar ou desligar a ferramenta elétrica.** Mantenha o fio afastado do calor, óleo, arestas afiadas ou peças móveis. Um fio danificado ou emaranhado vai aumentar o risco de choque elétrico.
- **Quando estiver a trabalhar com uma ferramenta elétrica ao ar livre, utilize uma extensão adequada para a utilização no exterior.** A utilização de um fio adequado ao exterior reduz o risco de choque elétrico.
- **Caso o uso de uma ferramenta elétrica num local húmido seja inevitável, utilize uma alimentação protegida com um dispositivo de corrente residual (DCR).** A utilização de um DCR reduz o risco de choque elétrico.

SEGURANÇA PESSOAL

- **Mantenha-se alerta, observe o que está a fazer e use senso comum quando estiver a trabalhar com uma ferramenta elétrica. Não utilize uma ferramenta elétrica enquanto estiver cansado ou sob o efeito de drogas, álcool ou medicação.** Um momento de falta de atenção enquanto trabalha com ferramentas elétricas pode resultar em lesões sérias.
- **Use equipamento pessoal de proteção. Utilize sempre proteção ocular.** O equipamento de proteção, como máscara para o pó, sapatos de segurança antiderrapantes, capacete de proteção ou proteção auditiva usado para as condições apropriadas irá reduzir as lesões pessoais.
- **Evite os arranques sem intenção. Certifique-se de que o interruptor se encontra na posição de desligado antes de ligar à alimentação e/ou bateria e antes de pegar ou transportar a ferramenta.** Transportar ferramentas elétricas com o dedo no interruptor ou alimentar ferramentas elétricas com o interruptor na posição de ligado convida a acidentes.
- **Retire qualquer chave de ajuste ou chave de fendas antes de ligar a ferramenta elétrica.** Uma chave de porcas ou uma chave deixada ligada a uma peça rotativa da ferramenta elétrica pode provocar uma lesão.
- **Não se estique. Mantenha sempre a base e o equilíbrio adequados.** Isto permite um melhor controlo da ferramenta elétrica em situações inesperadas.
- **Vista-se adequadamente. Não utilize roupa larga ou jóias. Mantenha o seu cabelo, roupa e luvas afastadas das peças móveis.** Roupas largas, jóias ou cabelo comprido podem ser apanhados pelas peças em movimento.

- **Se forem fornecidos dispositivos para a ligação de extração de pó e facilidades de recolha, certifique-se de que estes estão ligados e de que são devidamente utilizados.** A utilização de dispositivos de recolha de pó pode reduzir os perigos relacionados com o pó.
- **Não permita que a familiaridade ganha com a utilização de ferramentas o torne mais complacente e ignore os princípios de segurança da ferramenta.** Uma ação descuidada pode causar lesões severas numa fração de segundo.

UTILIZAÇÃO E CUIDADOS DA FERRAMENTA ELÉTRICA

- **Não force a ferramenta elétrica. Utilize a ferramenta elétrica correta para a utilização pretendida.** A ferramenta elétrica correta fará o trabalho melhor e de forma mais segura ao ritmo para o qual foi concebida.
- **Não utilize a ferramenta elétrica se o interruptor não a ligar ou desligar.** Qualquer ferramenta que não possa ser controlada com o interruptor é perigosa e deve ser reparada.
- **Desligue a ficha da alimentação e/ou da bateria da ferramenta elétrica antes de fazer quaisquer ajustes, mudar de acessórios ou armazenar a ferramenta elétrica.** Tais medidas de segurança preventiva ajudam a reduzir os riscos de ligar inadvertidamente a ferramenta elétrica.
- **Guarde as ferramentas elétricas não utilizadas fora do alcance das crianças e não permita que pessoas não familiarizadas com a ferramenta elétrica ou com estas instruções utilizem a ferramenta elétrica.** As ferramentas elétricas são perigosas nas mãos de utilizadores sem formação.
- **Proceda à manutenção das ferramentas elétricas e acessórios. Certifique-se de que as partes móveis não estão desalinhas ou bloqueadas, que não há peças quebradas ou qualquer outra condição que possa afetar o funcionamento da ferramenta elétrica. Se estiver danificada, leve a ferramenta elétrica para ser reparada antes da utilização.** Muitos acidentes são provocados pela fraca manutenção das ferramentas elétricas.
- **Mantenha as ferramentas de corte afiadas e limpas.** Ferramentas devidamente mantidas com arestas de corte afiadas são menos fáceis de prender e mais fáceis de controlar.
- **Use a ferramenta elétrica, acessórios e brocas, etc., de acordo com estas instruções, tendo em conta as condições de trabalho e o trabalho a ser efetuado.** A utilização da ferramenta elétrica para operações diferentes daquelas para que foi criada pode dar origem a uma situação perigosa.

- **Mantenha as pegas e superfícies de segurar secas, limpas e sem óleo ou gordura.** Pegas e superfícies de prensão escorregadias podem dar origem a um manuseamento inseguro e/ou perda de controlo da ferramenta.

UTILIZAÇÃO E CUIDADOS DA FERRAMENTA COM A BATERIA

- **Recarregue apenas com o carregador especificado pelo fabricante.** Um carregador que seja adequado para um tipo de bateria pode criar um risco de incêndio quando usado com outra bateria.
- **Use ferramentas elétricas apenas com as baterias especificamente designadas.** A utilização de outras baterias pode criar um risco de ferimentos e incêndio.
- **Quando não usar a bateria, mantenha-a afastada de outros objetos de metais, como cliques de papel, moedas, chaves, pregos, parafusos ou outros pequenos objetos de metal que possam fazer a ligação entre os dois terminais.** Colocar os terminais da bateria em curto-circuito pode dar origem a queimaduras ou fogo.
- **Sob condições abusivas, pode ser ejetado líquido da bateria; evite o contacto. Se ocorrer contacto accidental, lave com água. Se o líquido entrar em contacto com os olhos, procure ajuda médica.** O líquido ejetado da bateria pode provocar irritação ou queimaduras.
- **Não use a bateria nem a ferramenta se estiverem danificadas ou modificadas.** Baterias danificadas ou modificadas podem apresentar comportamentos imprevisíveis, dando origem a fogo, explosão ou risco de lesões.
- **Não exponha a bateria ou a ferramenta ao fogo ou temperatura excessiva.** A exposição ao fogo ou a temperaturas acima dos 130 °C pode causar uma explosão.
- **Siga todas as instruções de carregamento e não carregue a bateria nem a ferramenta a uma temperatura fora dos parâmetros especificados nas instruções.** Carregar incorretamente ou a temperaturas fora dos parâmetros especificados pode danificar a bateria e aumentar o risco de fogo.

REPARAÇÃO

- **A manutenção da sua ferramenta elétrica deverá ser sempre efetuada por pessoas qualificadas, utilizando apenas peças sobresselentes idênticas.** Tal irá assegurar que a segurança da ferramenta elétrica é mantida.

PT

- **Nunca tente reparar uma bateria danificada.** A reparação das baterias só deverá ser efetuada pelo fabricante ou por um reparador autorizado.

REGRAS DE SEGURANÇA PARA A MÁQUINA DE CORTAR RELVA SEM FIOS

PT

⚠️ PERIGO: Esta máquina foi criada para ser utilizada de acordo com as regras de funcionamento seguro incluídas neste manual. Tal como em qualquer tipo de equipamento mecânico, o descuido ou erro por parte do operador pode dar origem a lesões sérias. Esta máquina é capaz de magoar mãos e pés, e de atirar objetos. O incumprimento de todas as instruções de segurança pode resultar em ferimentos graves ou morte.

⚠️ AVISO: Ao utilizar uma máquina de cortar relva sem fios, deverá seguir sempre as precauções básicas de segurança, para reduzir o risco de incêndio, choque elétrico ou lesões pessoais.

IMPORTANTE

LEIA ATENTAMENTE ANTES DE UTILIZAR O APARELHO. GUARDE PARA FUTURAS REFERÊNCIAS.

REGRAS DE SEGURANÇA PARA A MÁQUINA DE CORTAR RELVA SEM FIOS:

CUIDADO: NÃO TOQUE NA LÂMINA ROTATIVA!

TREINO

- Leia atentamente o manual de instruções. Familiarize-se com os controlos e com a utilização correta do aparelho.
- Nunca permita que pessoas ou crianças que não estejam familiarizadas com as instruções utilizem o aparelho. Há a possibilidade de existirem regulamentos locais que restrinjam a idade do operador.
- Nunca corte a relva com pessoas, especialmente crianças, ou animais por perto.
- O operador ou utilizador é o responsável por acidentes ou riscos provocados a outras pessoas ou à sua propriedade.

PREPARAÇÃO

- Enquanto corta a relva, utilize sempre calçado resistente e calças compridas.
- Não utilize o equipamento descalço ou de sandálias abertas. Evite usar roupa larga ou que tenha nós ou cordões, ou uma gravata.

- Inspeccione cuidadosamente a área onde vai utilizar o equipamento e retire quaisquer pedras, paus, ossos e outros objetos estranhos.
- Antes da utilização, inspeccione sempre visualmente se as lâminas, parafuso da lâmina e o conjunto de corte não estão gastos ou danificados. Substitua lâminas gastas ou danificadas e os parafusos em conjunto, para manter o equilíbrio. Substitua as etiquetas danificadas ou ilegíveis.

FUNCCIONAMENTO

- Corte a relva apenas à luz do dia ou com boa luz artificial.
- Evite utilizar o equipamento em relva molhada, sempre que possível.
- Nos locais inclinados, certifique-se sempre do local onde coloca os pés.
- Caminhe, nunca corra.
- Em máquinas de cortar relva rotativas com rodas, corte a relva em encostas de lado, nunca de cima para baixo.
- Tenha muito cuidado quando mudar de direção em encostas.
- Não corte a relva em encostas excessivamente inclinadas.
- Tenha muito cuidado quando virar ou puxar o equipamento na sua direção.
- Pare as lâminas caso a máquina de cortar relva seja inclinada para ser transportada quando passar por superfícies que não sejam relvadas e quando transportar a máquina de cortar relva de e para a área a ser cortada.
- Nunca utilize o aparelho com proteções defeituosas ou sem os dispositivos de segurança, por exemplo, defletores e/ou saco de recolha da relva, no devido lugar.
- Ligue o motor de acordo com as instruções e com os pés bem afastados da(s) lâmina(s).
- Não incline o equipamento quando ligar o motor, exceto se o equipamento tiver de ser inclinado para ser ligado. Neste caso, só deve ser inclinado o estritamente necessário e levantar apenas a parte que está afastada do operador. Certifique-se sempre de que ambas as mãos se encontram na posição de funcionamento antes de colocar o aparelho no chão. Não ligue a máquina enquanto permanecer em frente à conduta de descarga.
- Não coloque as mãos ou pés perto ou debaixo das peças rotativas. Para as máquinas de corte rotativas, mantenha sempre as aberturas de descarga abertas.

- Nunca segure nem ligue uma máquina de cortar relva enquanto o motor estiver a funcionar.
- Desligue e retire a bateria (ou dispositivo de desativação) e certifique-se de que todas as peças móveis pararam completamente antes de efetuar quaisquer ajustes ou limpeza.
 - Sempre que abandonar a máquina;
 - Antes de limpar uma peça bloqueada e desentupir uma saída de descarga;
 - Antes de verificar, limpar ou trabalhar no equipamento;
 - Após bater num objeto estranho. Inspeccione o equipamento quando a danos e efetue as reparações necessárias.
- Se o equipamento começar a vibrar anormalmente (verifique imediatamente).
 - Verifique se existem danos;
 - Substitua ou repare quaisquer peças danificadas;
 - Verifique se existem peças desapertadas e se tal for o caso, aperte-as.

MANUTENÇÃO E ARRUMAÇÃO

- Tenha cuidado ao ajustar a máquina para impedir que dedos fiquem presos entre as lâminas móveis e as peças fixas do equipamento.
- Mantenha todas as porcas e parafusos bem apertados, para se certificar de que o equipamento está em boas condições de funcionamento.
- Verifique frequentemente a caixa de recolha quanto a danos ou deterioração.
- As peças desgastadas ou danificadas deverão ser substituídas por peças de reposição e acessórios de origem.
- A limpeza e manutenção não deverão ser feitas por crianças sem supervisão.
- Quando reparar as lâminas, tenha em conta que, mesmo que a alimentação esteja desligada, as lâminas ainda podem estar em movimento.
- Para máquinas de corte de relva rotativas, certifique-se de que usa apenas meios de corte sobresselentes do tipo certo.

SEGURANÇA PESSOAL

Podem ocorrer acidentes trágicos se o operador não estiver atento à presença de crianças. As crianças costumam ser atraídas pela máquina e pela atividade da máquina. Não compreendem os perigos. Nunca assuma que as crianças permanecem no local onde as viu pela última vez.

- Mantenha as crianças afastadas da área de corte e sob constante supervisão por parte de um adulto responsável para além do operador.

- Esteja atento e desligue a máquina de cortar relva se uma criança entrar na área.
- Tenha muito cuidado quando se aproximar de ângulos mortos, entradas, arbustos, árvores ou outros objetos que possam diminuir a sua visão de uma criança que possa correr na direção da máquina de cortar relva.
- As crianças devem ser supervisionadas, para se assegurar de que não brincam com a máquina de cortar relva.
- Desligue sempre a máquina de cortar relva quando retirar a bateria da ferramenta. Pare as lâminas caso a máquina de cortar relva seja inclinada para ser transportada quando passar por superfícies que não sejam relvadas e quando transportar a máquina de cortar relva de e para a área a ser cortada.

FUNCIONAMENTO FUNCIONAMENTO GERAL:

- Leia com atenção o manual do utilizador por completo antes de tentar montar esta máquina. Leia, compreenda e siga todas as instruções na máquina e no manual antes da utilização. Familiarize-se por completo com os controlos e utilização adequada desta máquina antes da utilização. Guarde este manual num local seguro para futuras referências e para encomendar peças sobresselentes.
- Utilize o equipamento correto. Não utilize a máquina de cortar relva para outros trabalhos para além daqueles para que foi criada.
- Não se estique. Mantenha sempre a base e o equilíbrio adequados.
- Objetos atingidos pela lâmina da máquina de cortar relva podem causar lesões sérias. A relva deverá ser sempre examinada cuidadosamente e deverá retirar quaisquer objetos antes de proceder ao corte.
- Antes de e enquanto se move para trás, olhe para trás e para baixo para ver se há crianças e outras pessoas.
- Esta máquina não é um brinquedo. Assim, tenha sempre muito cuidado. O seu aparelho foi criado para efetuar um trabalho: Cortar relva. Não utilize o aparelho para outra finalidade.
- Não force a máquina de cortar relva. Ela fará o trabalho melhor e de modo mais seguro ao ritmo para o qual foi criada.
- Antes da utilização, inspeccione sempre visualmente se as lâminas, parafuso da lâmina e o conjunto de corte não estão gastos ou danificados. Substitua as lâminas gastas ou danificadas e parafusos e outros componentes em simultâneo, para preservar o equilíbrio. Substitua as etiquetas danificadas ou ilegíveis.

- Tenha muito cuidado quando virar ou puxar o equipamento na sua direção.
- Inspeccione cuidadosamente a área onde o equipamento vai ser usado. Retire todas as pedras, paus, fios, brinquedos e outros objetos estranhos que possam ser apanhados e atirados pela lâmina. Os objetos atirados podem causar lesões pessoais sérias. Planeie o seu padrão de corte para evitar descarregar material para estradas, passeios públicos, outras pessoas ou algo semelhante. Evite também descarregar material contra uma parede ou obstrução, o que pode fazer com que o material ressalte de volta contra o operador.
- Para ajudar a evitar o contacto da lâmina ou ferimentos devido a objetos projetados, permaneça na zona do operador atrás das pegas, e mantenha crianças, terceiros, ajudantes e animais a, pelo menos, 30 m da máquina de cortar relva durante o funcionamento da mesma. Pare a máquina se alguém entrar nessa área.
- Use sempre óculos de segurança durante o funcionamento e enquanto efetua um ajuste ou reparação, para proteger os olhos. Os objetos atirados que fazem ricochete podem causar lesões sérias nos olhos. Utilize uma máscara ou máscara de pó se a operação for poeirenta.
- Vista-se adequadamente. Não utilize roupa larga ou jóias. Estas podem ficar presas em peças móveis. A utilização de luvas de borracha é recomendada para trabalhos no exterior. Use calçado resistente com solas grossas e roupa justa. Recomendamos a utilização de camisolas e calças que cubram os braços e pernas, e calçado com biqueira de aço. Nunca utilize esta máquina descalço, de sandálias, com calçado escorregadio ou leve (ex: Lona).
- Não coloque as mãos ou pés perto ou debaixo da cobertura de corte. O contacto com a lâmina pode causar lesões nas mãos e pés.
- Uma cobertura de descarga em falta ou danificada pode causar o contacto com a lâmina ou lesões devido a objetos projetados.
- Muitas lesões ocorrem como resultado de se puxar a máquina de cortar relva sobre um pé durante uma queda por ter escorregado ou tropeçado. Não se segure à máquina de cortar relva se estiver a cair. Liberte imediatamente a pega.
- Nunca puxe a máquina de cortar relva na sua direção enquanto estiver a andar. Se tiver de puxar a máquina de uma parede ou obstrução, olhe primeiro para baixo e para trás para evitar tropeçar, e siga estes passos:
 - Afaste-se da máquina de cortar relva para esticar por completo os braços.
 - Certifique-se de que está bem equilibrado e com uma base estável para os pés.
 - Puxe lentamente a máquina de cortar relva para trás, não mais do que metade do caminho até si.
 - Repita estes passos, conforme necessário.
- Não utilize a máquina de cortar relva quando estiver sob a influência de álcool ou drogas.
- Mantenha-se alerta e atento ao que está a fazer. Utilize o senso comum. Não utilize a máquina de cortar relva quando estiver cansado.
- A pega de controlo do motor/lâmina é um dispositivo de segurança. Nunca tente anular o seu funcionamento. Se o fizer, torna o dispositivo de segurança inoperacional e pode dar origem a lesões pessoais devido ao contacto da lâmina rotativa. A pega de controlo do motor/lâmina tem de ser utilizada facilmente em ambas as direções e voltar automaticamente à posição de desativada quando libertada.
- Evite ambientes perigosos – Não utilize a máquina de cortar relva em locais húmidos ou molhados.
- Não utilize à chuva.
- Certifique-se sempre do local onde coloca os pés. Escorregar e cair pode causar lesões pessoais sérias. Se sentir que está a perder o equilíbrio, liberte imediatamente a pega de controlo do motor/lâmina e a lâmina pára de rodar no espaço de três segundos.
- Pare a lâmina quando atravessar passeios de cascalho, cascalho ou estradas.
- Se a máquina começar a vibrar anormalmente, desligue o motor e verifique imediatamente as causas. A vibração é normalmente um aviso de problemas.
 - Verifique se existem danos;
 - Substitua ou repare as peças danificadas que podem ser substituídas pelo utilizador;
 - Verifique se existem peças desapertadas. Se tal for o caso, aperte-as.
 - Nunca utilize a máquina de cortar relva sem a devida proteção posterior, cobertura de descarga, saco de recolha da relva, inserção de adubar, saída de descarga lateral, pega de controlo do motor/lâmina ou outros dispositivos de proteção de segurança no devido lugar e a funcionarem. Nunca utilize a máquina com os dispositivos de segurança danificados. O não seguimento das instruções pode dar origem a lesões pessoais sérias.
- Se ocorrerem situações que não sejam abrangidas por este manual, tenha cuidado e faça uso do bom senso. Contacte o centro de apoio ao cliente da EGO para obter assistência.

- A bateria tem de ser retirada do aparelho antes de ser eliminada.
- A bateria tem de ser eliminada de modo seguro.

OPERAÇÃO NUMA ENCOSTA:

As encostas são um fator importante relacionado com quedas que podem dar origem a lesões severas. Nos locais inclinados, certifique-se sempre do local onde coloca os pés. O funcionamento em encostas requer um cuidado extra. Se não se sentir à vontade numa encosta, não corte aí a relva.

A fazer:

- Corte sempre a relva de lado em locais inclinados, nunca de cima para baixo. Tenha muito cuidado quando mudar de direção em encostas.
- Tenha cuidado com buracos, raízes, rochas, objetos escondidos ou montes que possam fazê-lo escorregar ou cair. A relva comprida pode esconder objetos.

Não:

- Não corte a relva perto de fossos, valas ou aterros. Pode perder o apoio para os pés ou o equilíbrio.
- Não corte a relva em locais inclinados com inclinação superior a 15 graus.
- Não corte a relva molhada. O desequilíbrio pode fazê-lo escorregar.

REPARAÇÃO

⚠ AVISO: Os componentes do saco de recolha da relva, cobertura de descarga, saída de descarga lateral, inserção de adubar e proteção posterior estão sujeitos a desgaste e danos, que podem expor as peças móveis ou permitir que objetos sejam atirados, e podem aumentar o risco de lesões. Por razões de segurança, verifique frequentemente todos os componentes e substitua imediatamente os componentes danificados por peças sobresselentes idênticas, listadas neste manual. Contacte o centro de apoio ao cliente da EGO, ou o centro de reparação da EGO mais próximo de si. As reparações ou substituições de peças deverão ser efetuadas por um técnico qualificado!

- Se o interruptor de proteção contra sobrecargas incorporado na máquina de cortar relva for ativado frequentemente, contacte o centro de apoio ao cliente da EGO ou o centro de apoio ao cliente da EGO mais próximo de si.
- Não lave a máquina de cortar relva com uma mangueira. Evite que entre água no motor e nas ligações elétricas.
- Retire a chave e guarde a máquina de cortar relva desligada no interior quando não em uso. Deixe o motor arrefecer antes de guardar em qualquer local

fechado. A máquina de cortar relva deve ser guardada num local seco e alto, fora do alcance das crianças.

- Ao proceder à reparação, utilize apenas peças sobresselentes idênticas às listadas neste manual. A utilização de peças que não vão de encontro às especificações do equipamento original pode dar origem a um desempenho inadequado e comprometer a segurança.
- Retire ou desligue a bateria antes de reparar, limpar ou retirar material da máquina de cortar relva.
- Siga as instruções quanto à mudança de acessórios.
- Mantenha as pegas secas, limpas e sem óleo ou gordura.
- Para reduzir o perigo de incêndio, mantenha a cobertura do motor sem relva, folhas ou montes de resíduos acumulados.
- Verifique os parafusos da lâmina e da estrutura do motor a intervalos frequentes quanto ao devido aperto. Inspeccione também visualmente a lâmina quanto a danos (ex: Dobras, rachas e desgaste). Substitua a lâmina apenas por uma lâmina de substituição idêntica, listada neste manual.
- Proceda à manutenção cuidadosa da sua máquina de cortar relva - Mantenha a lâmina da máquina de cortar relva afiada e limpa, para um melhor desempenho e mais segurança. As lâminas da máquina estão afiadas e podem cortar. Embrulhe a lâmina ou use luvas e tenha muito cuidado quando proceder à sua manutenção.
- Nunca retire nem altere os dispositivos de segurança. Verifique regularmente o seu funcionamento correto. Nunca faça nada que interfira com a função prevista de um dispositivo de segurança, ou para reduzir a proteção fornecida por um dispositivo de segurança.
- Desligue sempre o motor antes de fazer quaisquer ajustes numa roda ou o ajuste da altura de corte.
- Após bater num objeto estranho, pare o motor, retire a chave e inspeccione cuidadosamente a máquina de cortar relva quanto a danos. Repare os danos antes de utilizar a máquina de cortar relva.
- Mantenha ou substitua as etiquetas de segurança e instruções, conforme necessário. Contacte o centro de apoio ao cliente da EGO, ou o centro de reparação da EGO mais próximo de si. As reparações ou substituições de peças deverão ser efetuadas por um técnico qualificado!

- **GUARDE ESTAS INSTRUÇÕES.** Consulte com frequência e utilize estas instruções para instruir outras pessoas sobre a forma de utilizar este equipamento. Se emprestar este aparelho, entregue também as instruções, para evitar uma má utilização do produto e possíveis lesões.

UTILIZAÇÃO E CUIDADOS COM A BATERIA

- Para preservar os recursos naturais, recicle ou elimine as baterias de um modo adequado. Este produto contém baterias de íão de lítio. As leis locais ou nacionais proíbem a eliminação de baterias de íão de lítio juntamente com o lixo doméstico comum. Consulte as autoridades locais quanto ao modo de reciclar e/ou eliminar corretamente.
- Ao retirar a bateria para ser eliminada ou reciclada, cubra os terminais da bateria com uma fita adesiva resistente. Não tente destruir ou desmontar a bateria, não retire qualquer um dos seus componentes. As baterias de íão de lítio têm de ser recicladas ou eliminadas de forma adequada. Além disso, nunca toque em qualquer dos terminais com objetos de metal ou com o corpo, pois isso pode causar um curto-circuito. Mantenha-se afastado das crianças. Se não seguir estes avisos de segurança, pode originar um incêndio e/ou lesões sérias.
- **SOB CONDIÇÕES ABUSIVAS, PODE SER EJETADO LÍQUIDO DA BATERIA. EVITE O CONTACTO. SE OCORRER CONTACTO ACIDENTAL, LAVE COM ÁGUA. SE O LÍQUIDO ENTRAR EM CONTACTO COM OS OLHOS, PROCURE AJUDA MÉDICA.** O líquido ejetado da bateria pode provocar irritação ou queimaduras.

ESPECIFICAÇÕES

Número do modelo	LM2020E	LM2020E-SP
Sistema autopropulsor	Não	Sim
Tensão	56 V	56 V
Velocidade sem carga	3000 /min	3000 /min
Altura de corte	25-95 mm	25-95 mm
Temperatura de funcionamento recomendada:	0°C-40°C	0°C-40°C
Temperatura de armazenamento recomendada:	-20°C-70°C	-20°C-70°C
Posições da altura de corte	6	6
Tamanho da cobertura	51 cm	51 cm
Largura de corte	50 cm	50 cm

Volume do saco de recolha da relva	60 L	60 L	
Peso da máquina de cortar relva (sem a bateria, inserção de adubar)	24,4 kg	27,2 kg	
Modelo da lâmina	AB2001	AB2001	
Nível de potência do som medido L_{WA}	91,5 dB(A) K=1,80 dB(A)	91,0 dB(A) K=1,89 dB(A)	
Nível da pressão do som no ouvido do operador L_{PA} K=3 dB(A)	79,5 dB(A)	79,2 dB(A)	
Nível de potência do som garantido L_{WA} (de acordo com 2000/14/CE)	93 dB(A)	93 dB(A)	
Vibração a_{h1} , K=1,5 m/s ²	Pega esquerda	≤2,5 m/s ²	≤2,5 m/s ²
	Pega direita	≤2,5 m/s ²	≤2,5 m/s ²
Travão da lâmina	Sim	Sim	

- O valor total declarado da vibração foi medido de acordo com um método de teste padrão e pode ser usado para comparar duas ferramentas;
- O valor total declarado da vibração também pode ser usado numa avaliação preliminar da exposição.

AVISO: A emissão de vibrações durante a utilização da ferramenta elétrica pode diferir do valor declarado em que a ferramenta é usada. De modo a proteger o utilizador, este deverá utilizar luvas e proteção auditiva nas condições atuais de utilização.

LISTA DE PEÇAS

NOME DA PEÇA	QUANTIDADE
Máquina de cortar relva	1
Saco de recolha da relva	1
Estrutura do saco de recolha da relva	1
Inserção de adubar	1
Saída lateral de descarga	1
Chave de segurança	1
Manual do utilizador	1

DESCRIÇÃO

CONHEÇA A SUA MÁQUINA DE CORTAR RELVA

(Fig. A, B, C, D e E)

- 1 Interruptor de asa (alavanca do interruptor)
- 2 Pega

- 3 Botão de segurança
- 4 Gatilho autopropulsor
- 5 Braçadeira de fixação da pega
- 6 Saco de recolha da relva
- 7 Alavanca de ajuste de altura de corte
- 8 Roda traseira
- 9 Porta de descarga lateral
- 10 Cobertura da máquina de cortar relva
- 11 Luzes LED
- 12 Cobertura da plataforma
- 13 Roda dianteira
- 14 Tapa da bateria
- 15 Pega traseira
- 16 Alavanca de ajuste rápido
- 17 Porta de descarga traseira
- 18 Calha lateral
- 19 Alavanca de controlo de velocidade do autopropulsor
- 20 Proteção posterior
- 21 Botão de ligação das luzes LED
- 22 Indicador da energia
- 23 Botão de libertação da bateria
- 24 Ranhura da chave de segurança
- 25 Inserção de adubar
- 26 Saída de descarga lateral

FUNCIONAMENTO

MONTAR O SACO DE RECOLHA DA RELVA

- 1) Faça deslizar o saco de recolha da relva para a estrutura (Fig. F).
- 2) Monte os cliques superiores na estrutura (Fig. G) e, em seguida, monte os dois cliques laterais. Por fim, monte o clipe inferior.
- 3) O saco de recolha da relva completamente montado é apresentado na Fig. H.

AJUSTAR A PEGA DESDOBRÁVEL

AVISO: Não tente ligar a máquina de cortar relva até que a pega esteja bloqueada numa das três posições de funcionamento predefinidas (POSIÇÃO DE FUNCIONAMENTO SUPERIOR, POSIÇÃO DE FUNCIONAMENTO INTERMÉDIA e POSIÇÃO DE FUNCIONAMENTO INFERIOR).

A sua máquina de cortar relva é enviada com a pega na posição compacta, POSIÇÃO DE ARMAZENAMENTO BLOQUEADA (Fig. I).

- 1) Prima e mantenha premida a alavanca de ajuste rápido para libertar a pega da POSIÇÃO BLOQUEADA DE ARMAZENAMENTO.
- 2) Comece por levantar a pega da sua posição dobrada e, em seguida, liberte a alavanca. Rode suavemente a pega para cima até ouvir e sentir a cavilha de fixação a fixar numa de

diferentes posições conforme indicado na Fig. J.

Fig. J descrição das peças apresentada abaixo:

J-1	Posição de armazenamento bloqueado
J-2	Posição de fixação/remoção do saco de recolha da relva
J-3	Posição de funcionamento superior
J-4	Posição de funcionamento intermédia
J-5	Posição de funcionamento inferior

PT

FIXAR/RETIRAR O SACO DE RECOLHA DA RELVA/INSERÇÃO DE ADUBAR

AVISO: Nunca faça qualquer ajuste na máquina de cortar relva sem desligar primeiro o motor e retirar a chave de segurança e esperar que a lâmina para de rodar.

AVISO: Fixe quaisquer acessórios à máquina de cortar relva antes de cortar a relva.

■ Para fixar/retirar o saco de recolha da relva (Fig. K)

Ajuste a pega para a posição de funcionamento adequada. Levante a porta de descarga traseira e encaixe o saco de recolha da relva na haste rotativa. Para retirar, basta levantar o saco de recolha da relva, para fora da haste rotativa. Por fim, solte a porta de descarga traseira.

AVISO: Retire a inserção de adubar pré-instalada da máquina de cortar relva antes de fixar o saco de recolha da relva na máquina de cortar relva.

■ Para fixar/retirar a inserção de adubar (Fig. L)

Levante a porta de descarga traseira e insira a inserção de adubar na máquina de cortar relva. Para retirar, basta puxar para fora. Por fim, solte a porta de descarga traseira.

■ Para fixar/retirar a saída de descarga lateral (Fig. M)

Levante a porta de descarga lateral. Alinhe a ranhura da saída de descarga com o manipulador da porta de descarga e solte a porta de descarga lateral com cuidado rodando-a em torno da haste rotativa até ficar firmemente assente na saída de descarga. Para retirar, levante a porta de descarga lateral, levante a saída de descarga lateral para cima, para fora do manipulador de montagem da porta.

Fig. M descrição das peças apresentada abaixo:

M-1	Porta de descarga lateral
M-2	Manipulo de montagem
M-3	Ranhura de montagem
M-4	Saída de descarga lateral
M-5	Pivô

AVISO: A inserção de adubar tem de ser instalada

quando a saída de descarga lateral estiver fixada.

AJUSTAR A ALTURA DE CORTE (Fig. N)

AVISO: Mantenha os pés afastados da cobertura quando ajustar a altura. A máquina de cortar relva pode ser definida para 6 alturas de corte entre 25 mm e 95 mm. Escolha a altura de corte adequada de acordo com os tipos e condições da relva.

AVISO: Quando mover a ferramenta, certifique-se de que a altura de corte está ajustada para a posição 3 ou superior. Se não o fizer, pode dar origem a danos na lâmina.

FIXAR/RETIRAR A BATERIA (Fig. O)

Utilize apenas com as baterias e carregadores listados na imagem A.

CARREGUE ANTES DA PRIMEIRA UTILIZAÇÃO.

AVISO: Se alguma peça estiver partida ou em falta, não tente fixar a bateria na máquina de cortar relva nem utilizar a máquina até que as peças partidas ou em falta sejam substituídas. Se não o fizer, pode dar origem a ferimentos graves.

■ Para fixar

Empurre a bateria para o compartimento da bateria até ouvir um "clique".

■ Para retirar

Prima o botão de libertação da bateria no compartimento da bateria.

Fig. O descrição das peças apresentada abaixo:

0-1	Ranhura da chave de segurança
0-2	Chave de segurança
0-3	Botão de libertação da bateria

AVISO: Certifique-se de que a aba na máquina de cortar relva fica fixa, e que a bateria também fica fixa na máquina de cortar relva antes de começar a utilização.

LIGAR/DESLIGAR A MÁQUINA DE CORTAR RELVA

AVISO: O funcionamento de qualquer máquina de cortar relva pode dar origem ao ressalto de quaisquer objetos estranhos que podem ser atirados para os olhos, podendo dar origem a sérias lesões óticas. Utilize sempre óculos de segurança enquanto utiliza a máquina de cortar relva ou enquanto efetua quaisquer ajustes ou reparações.

AVISO: Certifique-se de que outras pessoas e animais permanecem a, pelo menos, 30m da máquina de cortar relva durante a utilização.

AVISO: A lâmina continua a rodar durante alguns segundos após a máquina de cortar relva ser desligada. Deixe o motor/lâmina pararem por completo antes de voltar a ligar. Não ligue e desligue rapidamente a máquina de cortar relva.

CHAVE DE SEGURANÇA

De forma a evitar a ligação acidental ou uso não autorizado da sua máquina de cortar relva sem fios, uma chave de segurança removível foi incorporada na conceção da sua máquina de cortar relva. A máquina de cortar relva será completamente desativada quando a chave de segurança tiver sido retirada da máquina de cortar relva.

PERIGO: As lâminas rotativas podem causar ferimentos graves. Para evitar ferimentos graves, retire a chave de segurança quando a máquina de cortar relva não estiver sob vigilância ou ao ajustar, limpar, efetuar a manutenção, transportar, levantar ou armazenar a máquina de cortar relva.

NOTA: O motor não liga, a não ser que:

- A pega está fixada numa de duas posições de funcionamento
- As calhas laterais estão completamente estendidas (Fig. P).
- Ambas as braçadeiras verdes de fixação da pega estejam bem fechadas (Fig. Q).

Q-1 linha de indicação

CUIDADO: Não tente anular o funcionamento do botão de segurança nem do interruptor de asa.

Para ligar

- 1) Fixe a bateria na máquina de cortar relva, insira a chave de segurança na ranhura de segurança e feche a tampa da bateria (Fig. O).
- 2) De acordo com a Imagem R, prima o botão de segurança.
- 3) Com o botão de segurança premido, puxe o interruptor de asa para cima para a pega e liberte o botão de segurança (Imagem S).

Para parar

- 1) Liberte o interruptor de asa.
- 2) O travão elétrico do mecanismo de travagem automática vai parar a rotação da lâmina no espaço de 3 segundos após libertar o interruptor de asa.

SISTEMA AUTOPROPULSOR DE VELOCIDADE VARIÁVEL (LM2020E-SP)

A máquina de cortar relva LM2020E-SP está equipada

com capacidade de autopropulsor de velocidade variável. Este sistema é independente do interruptor Ligar-Desligar lâmina; não depende da rotação da lâmina.

Para colocar em funcionamento o sistema sem rotação da lâmina, puxe o gatilho autopropulsor para a pega.

Para desligar o autopropulsor, liberte o gatilho do autopropulsor.

O sistema possui velocidade variável. Para aumentar a velocidade, mova a alavanca de controlo de velocidade do autopropulsor para a frente. Para diminuir a velocidade, mova a alavanca de controlo de velocidade do autopropulsor para trás (Fig. T).

Para colocar em funcionamento com a lâmina de rotação para cortar:

1. Ligue a máquina de cortar relva.
2. Enquanto segura o interruptor de asa contra a pega com a mão esquerda, puxe o gatilho auto-propulsor na direção da pega com a mão direita.
3. Segure o interruptor de asa e o gatilho auto-propulsor em simultâneo contra a pega com a sua mão direita e use a sua mão esquerda para ajustar a alavanca de controlo da velocidade do auto-propulsor para escolher uma velocidade adequada.

AVISO: Para reduzir o risco de ferimento, nunca tente ignorar o funcionamento do interruptor ou sistema autopropulsor. Utilize o autopropulsor apenas para o fim a que se destina.

LUZES DE TRABALHO LED NA MÁQUINA DE CORTAR RELVA (Fig A-13)

Prima o interruptor (Fig. C-22) para ligar/desligar as luzes de trabalho LED na dianteira do compartimento de bateria.

INDICADOR DA ENERGIA NA MÁQUINA DE CORTAR RELVA (Fig. U)

A máquina de cortar relva vem equipada com um indicador da energia, para indicar o estado de carga da bateria e o estado de funcionamento da máquina de cortar relva. O indicador da energia acende quando a lâmina estiver a rodar ou quando as luzes de funcionamento LED acenderem.

Indicador da energia na máquina de cortar relva	Significado	Ação
---	-------------	------

Verde brilhante	A máquina de cortar relva está a funcionar corretamente; a bateria tem, pelo menos, 15% da carga	N/A
Vermelho brilhante	Bateria fraca	Pare a máquina de cortar relva e recarregue a bateria
Vermelho a piscar	A bateria está quase gasta	Pare a máquina de cortar relva e recarregue a bateria
Cor-de-laranja brilhante	A máquina de cortar relva ou a bateria sobreaqueceu	Retire a bateria da máquina de cortar relva, leve-a para a sombra e deixe arrefecer durante, pelo menos, 15 minutos
Cor-de-laranja a piscar	A máquina de cortar relva está sobrecarregada	Abrande o ritmo ou levante a altura de corte para diminuir a carga

PT

PROTEÇÃO CONTRA SOBRECARGA DA MÁQUINA DE CORTAR RELVA

Para evitar condições de sobrecarga, não tente cortar demasiada relva de uma vez. Abrande o ritmo de corte ou aumente a altura de corte.

A sua máquina de cortar relva possui um circuito de proteção contra sobrecargas incorporado. Quando a máquina de cortar relva estiver sobrecarregada, o motor para e o indicador da energia na máquina pisca a cor-de-laranja. Retire a bateria da máquina de cortar relva. Verifique se a relva foi recolhida sob a cobertura e limpe-a se necessário. Depois instale a bateria e reinicie a máquina de cortar relva.

PROTEÇÃO CONTRA ALTA TEMPERATURA DA BATERIA

A bateria gera calor durante o funcionamento. O calor dissipa-se mais lentamente com tempo quente. Se a temperatura da bateria exceder os 70°C durante o funcionamento, o circuito de proteção desliga imediatamente a máquina de cortar relva para proteger a bateria de danos. O indicador da energia na máquina de cortar relva brilha a cor-de-laranja.

Liberte a pega de asa, espere que a bateria arrefeça até cerca de 67°C, depois volte a ligar a máquina de cortar relva.

MANUTENÇÃO

⚠️ AVISO: Para evitar ferimentos pessoais graves, retire sempre a chave de segurança e a bateria da máquina de cortar relva antes de limpar ou efetuar qualquer manutenção.

PT

⚠️ AVISO: Quando fizer reparações, utilize apenas peças sobressalentes idênticas. A utilização de outras peças pode criar um perigo ou provocar danos no produto. Para assegurar a segurança e bom funcionamento, todas as reparações e substituições deverão ser efetuadas por um técnico de reparação qualificado.

LIMPEZA DA MÁQUINA DE CORTAR RELVA

⚠️ AVISO: Retire sempre a chave de segurança e a bateria ao efetuar a manutenção ou transportar a máquina de cortar relva.

A parte inferior da cobertura da máquina de cortar relva deve ser limpa após cada utilização, pois os restos de relva, folhas, sujidades e outros resíduos podem ficar acumulados. Esta acumulação é indesejável, pois irá promover o aparecimento de ferrugem e corrosão de peças metálicas e reduzir a eficiência de corte da máquina de cortar relva.

Retire quaisquer resíduos de relva e de folhas no eixo motriz e em redor deste (apenas LM2020E-SP) e da ventoinha do motor (não utilize água). Limpe a máquina de cortar relva com um pano humedecido.

RETIRAR/INSTALAR A LÂMINA

⚠️ AVISO: Proteja sempre as suas mãos usando luvas resistentes ou embrulhando as extremidades de corte com trapos ou com outros materiais quando efetuar qualquer manutenção na lâmina da máquina de cortar relva.

■ Para retirar a lâmina (Fig. W).

AVISO: Se o parafuso rodar com o eixo do motor ao soltar o parafuso, rode a ventoinha manualmente para alinhar os orifícios de passagem com a ventoinha com os orifícios na lâmina e coloque outra haste metálica nos orifícios alinhados

■ Para instalar a lâmina

Na sequência de montagem na Fig. V, com a lâmina da ventoinha voltada para a cobertura e o lado impresso da lâmina voltado para fora, alinhe os orifícios de passagem na ventoinha com os orifícios na lâmina (Fig. X) e, depois, aperte a lâmina como apresentada na Fig. X.

Fig. U e V descrição das peças apresentada abaixo:

V-1	Ventoinha	V-5	Parafuso
V-2	Rebordo interior	W-1	Estabilizador 1
V-3	Lâmina	W-2	Estabilizador 2
V-4	Rebordo exterior	W-3	Chave de 14 mm

AVISO: O binário recomendado para aperto do parafuso da lâmina é de 49-59Nm.

ARMAZENAMENTO DA MÁQUINA DE CORTAR RELVA

- Retire a bateria da máquina de cortar relva e armazene num local fresco, seco e limpo. Não guarde perto de materiais corrosivos, como fertilizante ou sal grosso.
- Armazene a máquina de cortar relva num espaço coberto e fechado, fresco e seco, e fora do alcance das crianças.
- Não cubra a máquina de cortar relva com um plástico sólido. As coberturas de plástico prendem a humidade em volta da máquina de cortar relva, provocando corrosão e ferrugem.
- A máquina de cortar relva pode ser armazenada na vertical ou na horizontal (Fig. Z).

⚠️ AVISO: Se a máquina de cortar relva começar a inclinar-se, isso pode dar origem a danos na máquina ou ferimentos pessoais. Mantenha sempre a máquina de cortar relva estável e fora do alcance de crianças quando estiver na vertical. Se possível, deite-a para armazenamento.

Proteção do ambiente



Não elimine o equipamento elétrico, o carregador da bateria e as baterias/baterias recarregáveis juntamente com o lixo doméstico comum!

De acordo com a norma europeia 2002/19/UE, o equipamento elétrico e eletrónico que deixe de ser usado e de acordo com a norma europeia 2006/66/CE, as baterias gastas ou defeituosas têm de ser recolhidas em separado.

Se os equipamentos elétricos forem eliminados em aterros ou lixeiras,

substâncias perigosas podem vazarem para os lençóis freáticos e entrar na cadeia de alimentação, danificando a sua saúde e bem-estar.

RESOLUÇÃO DE PROBLEMAS

⚠ AVISO: Retire sempre a chave de segurança e a bateria ao efetuar a manutenção ou transportar a máquina de cortar relva. Proteja sempre as suas mãos usando luvas resistentes ou embrulhando as extremidades de corte com trapos ou com outros materiais quando efetuar qualquer manutenção na lâmina da máquina de cortar relva.

PT

PROBLEMA	CAUSA	SOLUÇÃO
A máquina de cortar relva não liga	<ul style="list-style-type: none">■ A bateria está gasta.■ A bateria não está montada no local do compartimento da bateria.■ A bateria ou circuito da máquina de cortar relva está demasiado quente. (O indicador da energia na máquina de cortar relva acende a cor-de-laranja durante 10 segundos)■ As calhas laterais não estão esticadas ao máximo e as braçadeiras não estão bloqueadas na respetiva posição.■ A pega não está fixada a uma das duas posições de funcionamento.■ A cobertura da máquina de cortar relva está obstruída com relva e resíduos.	<ul style="list-style-type: none">■ Carregue a bateria.■ Fixe a bateria na máquina de cortar relva e pressione até ouvir um clique.■ Deixe a bateria ou a máquina de cortar relva arrefecer até que a temperatura desça abaixo dos 67°C.■ Estique por completo a pega e fixe ambas as braçadeiras.■ Ajuste a pega numa das duas posições de funcionamento.■ Limpe a cobertura da máquina de cortar relva e certifique-se de que a lâmina gira livremente.
A máquina de cortar relva corta de um modo pouco uniforme	<ul style="list-style-type: none">■ A lâmina não está afiada.■ A altura de corte não foi definida corretamente.■ A lâmina foi montada incorretamente.	<ul style="list-style-type: none">■ Afie ou substitua a lâmina.■ Levante a cobertura para uma altura de corte superior.■ Volte a montar a lâmina, tendo em conta a secção "INSTALAR A LÂMINA" neste manual.

PROBLEMA	CAUSA	SOLUÇÃO
A máquina de cortar relva para enquanto corta relva	<ul style="list-style-type: none"> ■ A bateria está gasta. ■ A máquina de cortar relva está em sobrecarga. ■ A cobertura da máquina de cortar relva está obstruída com relva e resíduos. ■ A bateria ou circuito da máquina de cortar relva está demasiado quente. (O indicador da energia na máquina de cortar relva acende a cor-de-laranja durante 10 segundos.) ■ A calha lateral está um pouco retraída pela força aplicada na pega. 	<ul style="list-style-type: none"> ■ Carregue a bateria. ■ Aumente a altura de corte ou abraque enquanto corta relva. ■ Elimine a obstrução na cobertura da máquina de cortar relva. Aumente a altura de corte ou corte de um modo mais estreito. ■ Deixe a bateria ou a máquina de cortar relva arrefecer até que a temperatura desça abaixo dos 67°C. ■ Desbloquee as braçadeiras. Estique por completo as calhas laterais e volte a fixar as braçadeiras.
A máquina de cortar relva não aduba corretamente	<ul style="list-style-type: none"> ■ Existe relva molhada colada na parte inferior da cobertura. ■ A máquina de cortar relva está definida para cortar demasiada relva de uma única vez. 	<ul style="list-style-type: none"> ■ Espere que a relva seque antes de cortar. ■ Levante a cobertura para uma altura de corte superior.
Há muita vibração	<ul style="list-style-type: none"> ■ A lâmina de corte está solta. ■ A lâmina de corte está desequilibrada. ■ A lâmina de corte está dobrada. ■ O eixo do motor está dobrado. 	<ul style="list-style-type: none"> ■ Aperte o parafuso da lâmina. ■ Equilibre a lâmina, tendo em conta as instruções. ■ Substitua a lâmina. ■ Contacte o centro de reparação.
As braçadeiras de fixação da pega não podem ser fechadas na respetiva posição.	<ul style="list-style-type: none"> ■ As calhas laterais não estão esticadas por completo. 	<ul style="list-style-type: none"> ■ Estique por completo as calhas laterais e volte a fixar as braçadeiras.

GARANTIA

POLÍTICA DE GARANTIA EGO

Visite o website egopowerplus.com para os termos e condições completos da política de garantia da EGO.

LEGGERE TUTTE LE ISTRUZIONI!



LEGGERE IL MANUALE DI ISTRUZIONI

AVVERTENZA! Per garantire sicurezza e affidabilità, tutte le riparazioni e sostituzioni devono essere eseguite da un tecnico qualificato.

Usò previsto e uso improprio: il prodotto è destinato al taglio dell'erba esclusivamente in giardini domestici. Non deve essere usato per tagliare erba particolarmente alta, asciutta o bagnata, come quella dei pascoli, né per triturare foglie. Usare l'apparecchio esclusivamente per gli scopi previsti. Altri utilizzi sono da considerarsi uso improprio.

SIMBOLI DI SICUREZZA

Lo scopo dei simboli di sicurezza è attirare l'attenzione dell'operatore su possibili pericoli. I simboli di sicurezza e le relative spiegazioni richiedono la massima attenzione e comprensione da parte dell'operatore. Le avvertenze espresse dai simboli, da sole, non eliminano tutti i rischi. Le istruzioni e le avvertenze non sostituiscono le adeguate misure di prevenzione contro gli incidenti.

AVVERTENZA! Accertarsi di aver letto e compreso tutte le istruzioni di sicurezza in questo manuale, inclusi tutti i simboli di avvertenza come "**PERICOLO**", "**AVVERTENZA**" e "**ATTENZIONE**", prima di usare questo apparecchio. Il mancato rispetto di tutte le istruzioni elencate di seguito comporta il rischio di scossa elettrica, incendio e/o lesioni gravi.

SIGNIFICATO DEI SIMBOLI

AVVERTENZA DI SICUREZZA: Indica **PERICOLO**, **AVVERTENZA** o **ATTENZIONE**. Può essere usato in combinazione con altri simboli.

AVVERTENZA! L'uso di apparecchi elettrici può causare il lancio di oggetti estranei verso l'operatore, con il rischio di lesioni gravi agli occhi. Durante l'uso dell'apparecchio, indossare sempre occhiali protettivi o occhiali di sicurezza con protezioni laterali e, se necessario, una maschera facciale. Si consiglia di indossare una maschera di sicurezza con ampio campo visivo sopra gli occhiali o gli occhiali di sicurezza standard con protezioni laterali.

ISTRUZIONI DI SICUREZZA

Questa pagina illustra e descrive i simboli di sicurezza che possono comparire sul prodotto. Leggere, comprendere e seguire tutte le istruzioni sull'apparecchio prima di tentare di assemblarlo e ripararlo.

	Avvertenza di sicurezza	Precauzioni relative alla sicurezza dell'operatore.
	Leggere il manuale di istruzioni	Per ridurre il rischio di infortunio, l'utente deve leggere e comprendere tutte le istruzioni prima di usare questo prodotto.
	Fare attenzione alle lame affilate	Le lame continuano a ruotare dopo lo spegnimento del motore - Rimuovere la batteria prima delle operazioni di manutenzione. Spegner e rimuovere il gruppo batteria prima di effettuare operazioni di regolazione o pulizia.
	Tenere lontane le altre persone	Assicurarsi che eventuali altre persone e animali rimangano ad almeno 30m di distanza dal tosaerba quando è in funzione.
	Tieni i piedi e la mano lontani	Tieni i piedi e la mano lontani
	CE	Questo prodotto è conforme alle direttive europee applicabili.
	UKCA	Questo prodotto è conforme alla legislazione britannica pertinente.
	WEEE	I prodotti elettrici non devono essere smaltiti insieme ai rifiuti domestici. Portarli presso un centro di riciclaggio autorizzato.
	Rumore	Livello di potenza sonora garantito. Emissione di rumore nell'ambiente conforme alla direttiva dell'Unione europea.
IPX4	Simbolo IP	Protezione contro l'ingresso di acqua di livello 4
V	Volt	Voltaggio
A	Ampere	Corrente
Hz	Hertz	Frequenza (cicli al secondo)
W	Watt	Potenza

IT

min	Minuti	Tempo
~	Corrente alternata	Tipo di corrente
≡	Corrente continua	Tipo o caratteristica della corrente
n ₀	Velocità a vuoto	Velocità di rotazione, senza carico
.../min	Al minuto	Rotazioni al minuto

IT

AVVERTENZE DI SICUREZZA COMUNI A TUTTI GLI UTENSILI ELETTRICI

⚠ AVVERTENZA! LEGGERE TUTTE LE AVVERTENZE DI SICUREZZA, LE ISTRUZIONI, LE ILLUSTRAZIONI E LE SPECIFICHE FORNITE INSIEME A QUESTO UTENSILE ELETTRICO. Il mancato rispetto delle istruzioni sotto riportate comporta il rischio di scossa elettrica, incendio e/o gravi infortuni.

CONSERVARE TUTTE LE AVVERTENZE E LE ISTRUZIONI PER FUTURO RIFERIMENTO.

Il termine "utensile elettrico" utilizzato nelle avvertenze indica un utensile elettrico alimentato tramite rete elettrica (con cavo) o batterie (senza cavo).

SICUREZZA DELL'AREA DI LAVORO

- **Mantenere l'area di lavoro pulita e ben illuminata.** Aree ingombre e ombreggiate favoriscono gli incidenti.
- **Non usare gli utensili elettrici in atmosfere esplosive, ad esempio in presenza di liquidi, gas o polveri infiammabili.** Gli utensili elettrici creano scintille che possono incendiare polveri o fumi.
- **Durante l'uso dell'utensile elettrico, tenere a distanza i bambini e le persone presenti.** Le distrazioni possono far perdere il controllo dell'utensile.

SICUREZZA ELETTRICA

- **Le spine degli utensili elettrici devono essere adatte al tipo di presa. Non modificare la spina in alcun modo. Non usare adattatori con gli utensili elettrici dotati di messa a terra (collegati a massa).** Spine non modificate e prese adatte riducono il rischio di scossa elettrica.
- **Evitare il contatto del corpo con superfici collegate a terra come tubi, radiatori, fornelli elettrici e frigoriferi.** Il rischio di scossa elettrica aumenta se il proprio corpo è collegato a terra.

- **Non esporre gli utensili elettrici a pioggia o umidità.** L'infiltrazione di acqua all'interno di un utensile elettrico aumenta il rischio di scossa elettrica.
- **Non utilizzare il cavo in modo improprio. Non usare il cavo per trasportare, tirare o scollegare l'utensile elettrico dalla presa di corrente. Tenere il cavo al riparo da calore, olio, bordi taglienti o parti in movimento.** La presenza di cavi danneggiati o aggrovigliati aumenta il rischio di scossa elettrica.
- **Durante l'uso di un utensile elettrico all'aperto, utilizzare una prolunga idonea per ambienti esterni.** L'uso di un cavo idoneo riduce il rischio di scossa elettrica.
- **Se è necessario lavorare in un luogo umido, utilizzare un circuito elettrico dotato di interruttore differenziale (RCD).** L'uso di un interruttore differenziale riduce il rischio di scossa elettrica.

SICUREZZA PERSONALE

- **Durante l'uso di un utensile elettrico, prestare sempre la massima attenzione e utilizzare il buon senso. Non usare un utensile elettrico se si è stanchi o sotto l'effetto di droghe, alcol o farmaci.** Un solo attimo di disattenzione durante l'uso dell'utensile elettrico può provocare gravi infortuni.
- **Indossare dispositivi di protezione individuale. Indossare sempre occhiali di protezione.** I dispositivi di protezione individuali come maschere antipolvere, calzature antiscivolo, caschi e cuffie per le orecchie, se utilizzati quando le circostanze lo richiedono, riducono il rischio di infortuni.
- **Prevenire l'avvio accidentale. Assicurarsi che l'interruttore sia in posizione di spegnimento prima di sollevare, trasportare o collegare l'utensile elettrico alla presa di corrente e/o alla batteria.** Per ridurre il rischio di incidenti, non trasportare gli utensili elettrici tenendo le dita sull'interruttore e non collegarli alla presa di corrente se l'interruttore è in posizione di accensione.
- **Rimuovere eventuali chiavi di serraggio prima di accendere l'utensile elettrico.** Una chiave di serraggio rimasta inserita in un elemento mobile dell'utensile elettrico può provocare infortuni.
- **Non allungarsi eccessivamente. Mantenere sempre un buon equilibrio evitando posizioni instabili.** Ciò assicura un miglior controllo dell'utensile elettrico in situazioni impreviste.
- **Vestirsi adeguatamente. Non indossare indumenti ampi o gioielli. Tenere i capelli, gli indumenti e le mani lontano dalle parti mobili.** Indumenti ampi, gioielli o capelli lunghi possono rimanere impigliati nelle parti in movimento.

- **Se sono presenti dispositivi di aspirazione e trattenimento delle polveri, assicurarsi che siano collegati e usati correttamente.** Tali dispositivi possono ridurre i rischi legati alle polveri.
- **Non lasciare che la familiarità con l'apparecchio (derivata da un uso frequente) abbassi il livello di attenzione.** Anche una minima distrazione può causare gravi infortuni.

USO E MANUTENZIONE DELL'UTENSILE ELETTRICO

- **Non forzare l'utensile elettrico. Utilizzare l'utensile più adatto al lavoro da svolgere.** L'utensile elettrico è più sicuro ed efficace se utilizzato alla velocità per la quale è stato progettato.
- **Non usare l'utensile elettrico se l'interruttore non funziona correttamente.** Un utensile elettrico che non può essere controllato dall'interruttore è pericoloso e deve essere riparato.
- **Scollegare l'utensile elettrico dalla presa di corrente e/o dal gruppo batteria prima di regolarlo, riporlo o sostituire gli accessori.** Tale misura di sicurezza riduce il rischio di avvio accidentale dell'utensile elettrico.
- **Riporre gli utensili elettrici fuori dalla portata dei bambini e non permetterne l'uso a persone che non hanno familiarità con l'apparecchio o con queste istruzioni.** Gli utensili elettrici sono pericolosi se utilizzati da persone non competenti.
- **Mantenere gli utensili elettrici e gli accessori in buono stato. Verificare che le parti mobili non siano disallineate o piegate, che i componenti non siano danneggiati e che non siano presenti altri problemi che potrebbero pregiudicare il corretto funzionamento dell'utensile elettrico. Se danneggiato, fare riparare l'utensile elettrico prima di usarlo.** Molti incidenti sono dovuti a una cattiva manutenzione degli utensili elettrici.
- **Mantenere gli utensili di taglio puliti e affilati.** Gli utensili di taglio mantenuti puliti e affilati hanno meno probabilità di subire malfunzionamenti e sono più facili da controllare.
- **Usare l'utensile elettrico, gli accessori, le punte ecc. conformemente a queste istruzioni, tenendo conto delle condizioni dell'area di lavoro e del tipo di lavoro da svolgere.** L'uso dell'utensile elettrico per operazioni diverse da quelle per cui è progettato può comportare situazioni di pericolo.
- **Tenere le impugnature e le superfici di presa asciutte, pulite e prive di olio o grasso.** Impugnature e superfici di presa scivolose non garantiscono l'uso sicuro e/o il controllo dell'utensile.

USO E MANUTENZIONE DELLA BATTERIA

- **Ricaricare la batteria esclusivamente con il caricabatteria specificato dal costruttore.** Un caricabatteria adatto a un tipo di gruppo batteria può comportare il rischio di incendio se usato con un altro gruppo batteria.
- **Usare esclusivamente gruppi batteria progettati specificamente per questo utensile elettrico.** L'uso di altri gruppi batteria comporta il rischio di incendio e infortunio.
- **Quando il gruppo batteria non è in uso, tenerlo lontano da piccoli oggetti metallici, ad esempio graffette, monete, chiavi, chiodi, viti ecc. poiché potrebbero creare un collegamento tra i due terminali.** Il cortocircuito dei terminali della batteria comporta il rischio di incendio o ustioni.
- **L'utilizzo improprio dell'utensile elettrico può causare fuoriuscite di liquido dalla batteria: evitare il contatto con tale liquido. In caso di contatto accidentale, lavare con acqua.** Se il liquido entra in contatto con gli occhi, consultare un medico. Il liquido fuoriuscito dalla batteria può causare irritazioni o ustioni.
- **Non usare gruppi batteria o utensili danneggiati o modificati.** Le batterie danneggiate o modificate possono manifestare comportamenti imprevisti, con il rischio di incendio, esplosione o infortunio.
- **Non esporre il gruppo batteria o l'apparecchio a fiamme o temperature eccessive.** L'esposizione a fiamme o temperature superiori a 130°C comporta il rischio di esplosione.
- **Rispettare tutte le istruzioni relative alla ricarica e non ricaricare il gruppo batteria o l'utensile a temperature diverse da quelle specificate nelle istruzioni.** Una ricarica eseguita in modo improprio o a temperature diverse da quelle specificate può danneggiare la batteria e aumentare il rischio di incendio.

RIPARAZIONI

- **Affidare la riparazione dell'utensile elettrico a tecnici qualificati usando esclusivamente parti di ricambio identiche.** Ciò salvaguarderà la sicurezza dell'utensile elettrico.
- **Non riparare gruppi batteria danneggiati.** La riparazione dei gruppi batteria deve essere effettuata esclusivamente dal fabbricante o da un centro di assistenza autorizzato.

NORME DI SICUREZZA SPECIFICHE PER TOSAERBA A BATTERIA

IT **⚠ PERICOLO!** Questo apparecchio è stato costruito per funzionare conformemente alle norme di sicurezza incluse in questo manuale. Come per tutti gli apparecchi elettrici, disattenzione o errori da parte dell'operatore comportano il rischio di lesioni gravi. Questo apparecchio comporta il rischio di lesioni a mani e piedi e di lancio di oggetti. Il mancato rispetto di tutte le istruzioni di sicurezza comporta il rischio di lesioni gravi o mortali.

⚠ AVVERTENZA! Durante l'uso dei tosaerba a batteria è necessario rispettare alcune elementari norme di sicurezza per ridurre il rischio di incendio, scossa elettrica e infortunio.

IMPORTANTE

**LEGGERE ATTENTAMENTE PRIMA DELL'USO.
CONSERVARE PER RIFERIMENTO FUTURO.**

NORME DI SICUREZZA SPECIFICHE PER TOSAERBA A BATTERIA

ATTENZIONE! NON TOCCARE LA LAMA ROTANTE!

FORMAZIONE

- Leggere attentamente le istruzioni. Familiarizzarsi con i comandi e l'uso corretto dell'apparecchio.
- Non consentire l'uso dell'apparecchio a bambini o persone che non hanno letto queste istruzioni. Normative locali possono limitare l'uso in base all'età.
- Non azionare mai l'apparecchio se sono presenti persone, soprattutto bambini, o animali nelle vicinanze.
- L'operatore o utente è responsabile per incidenti o rischi causati ad altre persone o proprietà.

PREPARAZIONE

- Durante l'uso dell'apparecchio, indossare sempre scarpe robuste e pantaloni lunghi.
- Non usare l'apparecchio a piedi nudi o indossando sandali aperti. Non indossare indumenti ampi o con stringhe e lacci.
- Ispezionare accuratamente l'area di lavoro e rimuovere eventuali pietre, rami, cavi, ossi e altri oggetti estranei.
- Prima dell'uso, ispezionare sempre visivamente l'apparecchio per verificare che le lame, i bulloni delle lame e il gruppo di taglio non siano usurati o danneggiati. Se le lame o i bulloni sono usurati o danneggiati, sostituire sempre tutto il gruppo per

mantenere l'apparecchio bilanciato. Sostituire le etichette adesive danneggiate o illeggibili.

FUNZIONAMENTO

- Usare l'apparecchio solo alla luce del giorno o con una buona illuminazione artificiale.
- Evitare l'uso dell'apparecchio su erba bagnata, se possibile.
- Puntare bene i piedi sui terreni pendenti.
- Camminare e non correre.
- Su terreni pendenti, lavorare sempre perpendicolarmente alla discesa, mai verso l'alto o verso il basso.
- Prestare particolare attenzione quando si cambia direzione sui terreni pendenti.
- Non usare l'apparecchio se la pendenza del terreno è eccessiva.
- Prestare particolare attenzione quando si inverte la direzione dell'apparecchio o lo si tira verso di sé.
- Bloccare le lame se è necessario inclinare l'apparecchio per attraversare superfici non erbose o durante il trasporto da/verso l'area di lavoro.
- Non usare l'apparecchio se i dispositivi di protezione sono danneggiati o mancanti, ad esempio se manca il deflettore e/o il sacco raccogliherba.
- Accendere il motore conformemente alle istruzioni e tenendo i piedi lontani dalle lame.
- Non inclinare l'apparecchio quando si accende il motore, a meno che non sia espressamente indicato. In tal caso, non inclinare l'apparecchio più dello stretto necessario e sollevare solo la parte distante dall'operatore. Assicurarsi sempre che entrambe le mani siano in posizione operativa prima di riportare l'apparecchio sul terreno. Non avviare l'apparecchio stando davanti all'apertura di scarico.
- Non posizionare mani o piedi in prossimità o sotto le parti mobili. Nel caso di tosaerba rotativi, tenersi sempre distanti dalle aperture di scarico.
- Non sollevare o trasportare l'apparecchio quando il motore è in funzione.
- Spegnerlo e rimuovere il gruppo batteria (o il dispositivo di disattivazione) ed accertarsi che le parti mobili siano completamente ferme prima di regolare o pulire l'apparecchio e:
 - prima di lasciare l'apparecchio incustodito;
 - prima di eliminare un'ostruzione o liberare lo scivolo di scarico;
 - prima di controllare, pulire o eseguire lavori sull'apparecchio;

- dopo aver urtato un oggetto estraneo (ispezionare l'apparecchio per verificare che non abbia subito danni e ripararlo se necessario).
- In caso di vibrazioni anomale (controllare immediatamente):
 - verificare l'assenza di danni;
 - sostituire o riparare eventuali componenti danneggiati;
 - controllare l'assenza di componenti allentati e serrarli se necessario.

MANUTENZIONE E CONSERVAZIONE

- Prestare attenzione durante la regolazione dell'apparecchio per evitare di intrappolare le dita tra le lame rotanti e le parti fisse dell'apparecchio.
- Mantenere serrati tutti i dadi, le viti e i bulloni per garantire che l'apparecchio sia in condizioni operative sicure.
- Controllare frequentemente che il sacco raccoglierba non sia usurato o danneggiato.
- Per motivi di sicurezza, sostituire le parti usurate o danneggiate.
- Le operazioni di pulizia e manutenzione ordinaria non devono essere effettuate da bambini non supervisionati.
- Manipolare le lame con cautela perché, anche se la batteria è stata scollegata o rimossa, le lame possono comunque muoversi.
- Accertarsi di sostituire gli accessori di taglio esclusivamente con ricambi del tipo corretto.

SICUREZZA PERSONALE

Possono verificarsi incidenti anche mortali se l'operatore non si accorge della presenza di bambini. I bambini sono spesso attratti dal tosaerba e il suo funzionamento e non comprendono i rischi correlati. Non supporre mai che i bambini rimangano dove sono stati visti l'ultima volta.

- Tenere i bambini fuori dall'area di lavoro e sotto la stretta supervisione di un altro adulto responsabile.
- Rimanere sempre vigili e spegnere il tosaerba se un bambino accede all'area di lavoro.
- Prestare particolare attenzione in prossimità di angoli ciechi, porte d'ingresso, cespugli, alberi o altri oggetti che possono impedire di accorgersi dell'avvicinamento di un bambino.
- Sorvegliare i bambini per assicurarsi che non giochino con l'apparecchio.
- Spegnere sempre il tosaerba prima di rimuovere il gruppo batteria. Bloccare le lame se è necessario inclinare l'apparecchio per attraversare superfici non erbose o durante il trasporto da/verso l'area di lavoro.

FUNZIONAMENTO

FUNZIONAMENTO GENERALE

- Leggere attentamente questo manuale nella sua interezza prima di tentare di assemblare il tosaerba. Leggere, comprendere e seguire tutte le istruzioni riportate sul tosaerba e nel manuale prima dell'uso. Familiarizzarsi con tutti i comandi e l'uso corretto del tosaerba prima dell'uso. Conservare il manuale in un luogo sicuro per riferimento futuro e per acquistare parti di ricambio.
- Usare l'apparecchio appropriato; non usare l'apparecchio per scopi diversi da quelli per cui è progettato.
- Non allungarsi eccessivamente; tenere i piedi a contatto con il pavimento e mantenere sempre l'equilibrio.
- Eventuali oggetti colpiti dalla lama del tosaerba possono causare lesioni gravi. Ispezionare attentamente il prato e rimuovere tutti gli oggetti estranei prima di usare l'apparecchio.
- Prima e durante l'uso dell'apparecchio in retromarcia, guardare dietro di sé e verso il basso per verificare l'assenza di bambini piccoli e altre persone.
- Il tosaerba non è un giocattolo. Pertanto, è necessario prestare estrema attenzione in ogni momento. Questo apparecchio è progettato per eseguire una sola funzione: tagliare erba. Non usarlo per altri scopi.
- Non forzare il tosaerba: sarà più efficace e sicuro se usato al regime per cui è stato progettato.
- Prima dell'uso, ispezionare sempre visivamente l'apparecchio per verificare che le lame, i bulloni delle lame e il gruppo di taglio non siano usurati o danneggiati. Se le lame, i bulloni o altri componenti sono usurati o danneggiati, sostituire sempre tutto il gruppo per mantenere l'apparecchio bilanciato. Sostituire le etichette adesive danneggiate o illeggibili.
- Prestare particolare attenzione quando si inverte la direzione dell'apparecchio o lo si tira verso di sé.
- Ispezionare accuratamente l'area in cui verrà usato l'apparecchio. Rimuovere oggetti come pietre, rami, cavi, giocattoli e altri oggetti estranei per non inciamparvi ed evitare che vengano raccolti e lanciati dalla lama. Eventuali oggetti lanciati dall'apparecchio possono causare lesioni gravi. Pianificare il percorso dell'apparecchio per evitare lo scarico di materiale verso strade, marciapiedi, altre persone, ecc. Inoltre, evitare di scaricare materiale contro pareti o ostruzioni per evitare che il materiale rimbalzi verso l'operatore.

- Per evitare il rischio di contatto con la lama o di lesioni causate da oggetti lanciati dall'apparecchio, rimanere dietro l'impugnatura e tenere bambini, altre persone, assistenti e animali ad almeno 30 m di distanza dal tosaerba quando è in funzione. Arrestare la macchina se un'altra persona accede all'area di lavoro.
- Indossare sempre occhiali di sicurezza o protettivi durante l'uso dell'apparecchio e durante le operazioni di regolazione o riparazione per evitare lesioni oculari. Eventuali oggetti lanciati verso l'operatore possono causare lesioni gravi agli occhi. Indossare sempre una maschera facciale o antipolvere se l'ambiente è polveroso.
- Vestirsi adeguatamente; non indossare indumenti ampi o gioielli perché possono impigliarsi nelle parti in movimento. Si raccomanda l'uso di guanti in gomma e calzature robuste durante i lavori all'aperto. Indossare robuste calzature di lavoro antiscivolo e pantaloni e magliette aderenti. Si consiglia l'uso di magliette a manica lunga, pantaloni lunghi e calzature con la punta in ferro. Non usare mai il tosaerba a piedi nudi o indossando sandali o calzature scivolose o leggere (ad esempio in tela).
- Non posizionare mani o piedi in prossimità delle parti rotanti o sotto il gruppo di taglio. Il contatto con le lame comporta il rischio di lesioni a mani e piedi.
- Se il coperchio dello scarico è danneggiato o mancante, sussiste il rischio di lesioni dovute al contatto con la lama o con oggetti lanciati dall'apparecchio.
- Numerosi incidenti sono dovuti al trascinamento del tosaerba sui piedi durante una caduta causata da scivolamenti o inciampamenti. Non appoggiarsi al tosaerba durante la caduta, ma rilasciare immediatamente l'impugnatura.
- Non tirare mai il tosaerba verso di sé mentre si cammina. Se è necessario fare arretrare il tosaerba per liberarlo da un muro o un'ostruzione, guardare preventivamente dietro di sé e in basso per evitare di inciampare, quindi procedere come descritto di seguito.
 - Allontanarsi dal tosaerba fino a stendere completamente le braccia.
 - Accertarsi di essere in equilibrio e con i piedi completamente a contatto con il terreno.
 - Tirare lentamente il tosaerba verso di sé, senza superare metà della distanza.
 - Se necessario, ripetere questi passaggi.
- Non usare il tosaerba se si è sotto l'effetto di droghe o alcol.
- Rimanere vigili; prestare attenzione al lavoro che si sta effettuando. Usare il buon senso. Non usare il tosaerba se si è stanchi.
- L'impugnatura di controllo del motore/lama è un dispositivo di sicurezza. Non tentare di manomettere il suo funzionamento per non disattivare il dispositivo di sicurezza ed evitare il rischio di lesioni dovute al contatto con la lama rotante. L'impugnatura di controllo del motore/lama deve essere perfettamente funzionante in entrambe le direzioni e deve ritornare automaticamente alla posizione originale quando viene rilasciata.
- Evitare gli ambienti pericolosi; non usare il tosaerba in ambienti umidi o bagnati.
- Non usare l'apparecchio sotto la pioggia.
- Mantenere sempre i piedi a contatto con il terreno. Scivolamenti e cadute possono causare lesioni gravi. Se si percepisce l'imminente perdita di equilibrio, rilasciare immediatamente l'impugnatura di controllo del motore/lama; la lama smetterà di ruotare entro tre secondi.
- Arrestare la lama durante l'attraversamento di strade, vialetti o sentieri in ghiaia.
- Se l'apparecchio inizia a vibrare in modo anomalo, arrestare il motore e individuare immediatamente la causa. La vibrazione è generalmente sintomo di un problema.
 - Verificare l'assenza di danni.
 - Sostituire o riparare eventuali componenti danneggiati.
 - Controllare e serrare eventuali parti allentate.
 - Non usare mai il tosaerba senza il paraspruzzi posteriore, lo sportello dello scarico, il sacco raccogliherba, l'accessorio per pacciamatura, lo scivolo di scarico laterale, l'impugnatura di controllo del motore/lama o altri dispositivi di sicurezza correttamente posizionati e funzionanti. Non usare il tosaerba con dispositivi di sicurezza danneggiati per evitare il rischio di lesioni.
- In caso di situazioni non contemplate in questo manuale, agire con cautela e usare il buon senso. Contattare il centro di assistenza EGO per assistenza.
- Il gruppo batteria deve essere rimosso dall'apparecchio prima che sia smaltito.
- La batteria deve essere smaltita in modo sicuro.

USO SU TERRENI PENDENTI

I terreni pendenti hanno un ruolo primario negli incidenti relativi a scivolamenti e cadute, che comportano il rischio di lesioni gravi. Puntare bene i piedi sui terreni pendenti.

I lavori su terreni pendenti richiedono estrema cautela. Se si percepisce insicurezza su un terreno pendente, non usare l'apparecchio.

Da fare:

- Su terreni pendenti, lavorare sempre perpendicolarmente alla discesa, mai verso l'alto o verso il basso. Prestare particolare attenzione quando si cambia direzione sui terreni pendenti.
- Prestare attenzione a buche, solchi, pietre, oggetti nascosti o protuberanze che possono causare scivolamenti o cadute. L'erba alta può nascondere eventuali ostacoli.

Da evitare:

- Non usare il tosaerba in prossimità di discese ripide, fossi o argini per evitare di perdere l'equilibrio e cadere.
- Non usare l'apparecchio su terreni con pendenza superiore a 15 gradi.
- Non usare l'apparecchio sull'erba bagnata. Le superfici scivolose comportano il rischio di caduta.

RIPARAZIONE

AVVERTENZA! I componenti del sacco raccogliherba, il coperchio dello scarico, lo scivolo di scarico laterale, l'accessorio per pacciamatura e il paraspruzzi posteriore sono soggetti a usura e danni e al conseguente rischio di lesioni dovute al contatto con le parti in movimento o oggetti lanciati dal tosaerba. Per ragioni di sicurezza, controllare frequentemente tutti i componenti e sostituire immediatamente quelli danneggiati con parti di ricambio identiche, riportate in questo manuale. Contattare il servizio clienti EGO o il centro di assistenza EGO più vicino: riparazioni e sostituzioni devono essere effettuate da un tecnico qualificato!

- Se l'interruttore di protezione contro il sovraccarico integrato nel tosaerba scatta frequentemente, contattare il servizio clienti EGO o il centro di assistenza EGO.
- Non pulire l'apparecchio con tubi per innaffiare; evitare le infiltrazioni d'acqua nel motore e nelle connessioni elettriche.
- Rimuovere la chiave e riporre il tosaerba in interni quando non è in uso. Attendere che il motore si raffreddi prima di riporre l'apparecchio. Conservare il tosaerba in un luogo asciutto, elevato o chiuso a chiave, fuori dalla portata dei bambini.
- Per la riparazione dell'apparecchio, usare esclusivamente le parti di ricambio elencate in questo manuale. L'uso di parti che non soddisfano le specifiche delle parti originali possono compromettere le prestazioni e la sicurezza del tosaerba.
- Rimuovere o scollegare il gruppo batteria prima di riparare, pulire o rimuovere materiale dal tosaerba.

- Seguire le istruzioni relative alla sostituzione degli accessori.
- Tenere le impugnature asciutte, pulite e prive di olio e grasso.
- Per ridurre il rischio di incendio, mantenere il vano motore privo di accumuli di detriti, erba e foglie.
- Controllare a brevi intervalli che la lama e i bulloni di fissaggio del motore siano serrati correttamente. Inoltre, ispezionare visivamente la lama per verificare l'assenza di danni (verificare ad esempio che non sia piegata, incrinata o usurata) Sostituire la lama esclusivamente con una lama di ricambio identica, riportata in questo manuale.
- Mantenere il tosaerba in buono stato - Mantenere le lame affilate e pulite per prestazioni sicure e ottimali. Le lame del tosaerba sono affilate e comportano il rischio di lesioni. Proteggere la lama o indossare guanti e prestare particolare attenzione durante la manutenzione del gruppo di taglio.
- Non rimuovere o alterare i dispositivi di sicurezza. Controllare con regolarità che funzionino correttamente. Non effettuare mai operazioni suscettibili di interferire con la destinazione d'uso di un dispositivo di sicurezza o ridurre il grado di protezione fornito.
- Arrestare sempre il motore prima di regolare una ruota o l'altezza di taglio.
- Dopo aver urtato un oggetto estraneo, arrestare il motore, rimuovere la chiave e ispezionare accuratamente il tosaerba per verificare che non abbia subito danni. Riparare il danno prima di usare il tosaerba.
- Mantenere pulite le etichette operative e di sicurezza e sostituirle se necessario. Contattare il servizio clienti EGO o il centro di assistenza EGO più vicino: riparazioni e sostituzioni devono essere effettuate da un tecnico qualificato!
- **CONSERVARE QUESTE ISTRUZIONI.** Consultarle frequentemente e usarle per istruire gli altri operatori dell'apparecchio. Se si presta questo apparecchio ad altre persone, allegare anche queste istruzioni per evitare l'uso errato dell'apparecchio e il rischio di infortunio.

USO E MANUTENZIONE DELLA BATTERIA

- Per salvaguardare le risorse naturali, riciclare o smaltire le batterie adeguatamente. Questo prodotto contiene batterie agli ioni di litio. Normative locali o nazionali possono vietare lo smaltimento delle batterie agli ioni di litio insieme ai rifiuti indifferenziati. Contattare le autorità competente per informazioni relative alle opzioni per il riciclo e/o lo smaltimento.

- Dopo la rimozione del gruppo batteria a scopo di smaltimento o riciclo, coprire i terminali del gruppo batteria con del robusto nastro isolante. Non tentare di distruggere o disassemblare il gruppo batteria o di rimuoverne i componenti. Le batterie agli ioni di litio devono essere riciclate o smaltite adeguatamente. Inoltre, non toccare mai i terminali con oggetti metallici e/o parti del corpo per evitare il rischio di cortocircuito. Tenere fuori dalla portata dei bambini. Il mancato rispetto di queste avvertenze comporta il rischio di incendio e/o gravi infortuni.
- **L'USO IMPROPRIO PUÒ CAUSARE FUORIUSCITE DI LIQUIDO DALLA BATTERIA: EVITARE IL CONTATTO CON TALE LIQUIDO. IN CASO DI CONTATTO ACCIDENTALE, LAVARE CON ACQUA. SE IL LIQUIDO ENTRA A CONTATTO CON GLI OCCHI, CONSULTARE UN MEDICO.** Il liquido fuoriuscito dalla batteria può causare irritazioni o ustioni.

IT

SPECIFICHE TECNICHE

Numero modello	LM2020E	LM2020E-SP
Sistema di avanzamento automatico	No	Sì
Voltaggio	56 V	56 V
Velocità a vuoto	3000 /min	3000 /min
Altezza di taglio	25-95 mm	25-95 mm
Temperatura di funzionamento raccomandata	0°C-40°C	0°C-40°C
Temperatura di conservazione raccomandata	-20°C-70°C	-20°C-70°C
Numero di posizioni altezza di taglio	6	6
Dimensioni dell'apparecchio	51 cm	51 cm
Ampiezza di taglio	50 cm	50 cm
Volume del sacco raccogliherba	60 L	60 L
Peso (senza gruppo batteria, accessorio per pacciamatura)	24,4 kg	27,2 kg
Modello della lama	AB2001	AB2001
Livello di potenza sonora misurato L_{WA}	91,5 dB(A) K=1,80 dB(A)	91,0 dB(A) K=1,89 dB(A)

Livello di pressione sonora a livello dell'orecchio dell'operatore L_{PA} K=3 dB(A)	79,5 dB(A)	79,2 dB(A)	
Livello di potenza sonora garantito L_{WA} (conformemente a 2000/14/EC)	93 dB(A)	93 dB(A)	
Vibrazioni a_{hv} K=1,5 m/s ²	Impugnatura sinistra	≤2,5 m/s ²	≤2,5 m/s ²
	Impugnatura destra	≤2,5 m/s ²	≤2,5 m/s ²
Freno lama	Sì	Sì	

- Il valore totale di vibrazioni indicato è stato misurato tramite il metodo di collaudo standard e può essere utilizzato per confrontare l'apparecchio con altri prodotti analoghi.
- Il valore totale di vibrazioni indicato può essere utilizzato anche per una valutazione preliminare dei livelli di esposizione.

ATTENZIONE! L'emissione di vibrazioni durante l'uso effettivo dell'apparecchio può variare rispetto al valore indicato in base a come viene utilizzato l'utensile. Per proteggersi, l'operatore deve indossare guanti e dispositivi di protezione per le orecchie in base alle reali condizioni d'uso.

CONTENUTO DELLA CONFEZIONE

DENOMINAZIONE DEL COMPONENTE	QUANTITÀ
Tosaerba	1
Sacco raccogliherba	1
Telaio del sacco raccogliherba	1
Accessorio per pacciamatura	1
Scivolo di scarico laterale	1
Chiave di sicurezza	1
Manuale di istruzioni	1

DESCRIZIONE

DESCRIZIONE DEL TOSAERBA (Fig. A, B, C, D e E)

- 1 Barra di avviamento (Interruttore a leva)
- 2 Impugnatura

- 3 Pulsante di sicurezza
- 4 Interruttore di avanzamento automatico
- 5 Morsetto di bloccaggio dell'impugnatura
- 6 Sacco raccogliherba
- 7 Leva regolazione altezza di taglio
- 8 Ruota posteriore
- 9 Sportello dello scarico laterale
- 10 Unità tosaerba
- 11 Fanali LED
- 12 Coperchio dell'unità
- 13 Ruota anteriore
- 14 Coperchio vano batteria
- 15 Impugnatura posteriore
- 16 Leva di regolazione rapida
- 17 Sportello scarico posteriore
- 18 Binario laterale
- 19 Leva di controllo velocità di avanzamento automatico
- 20 Paraspruzzi posteriore
- 21 Interruttore fanali LED
- 22 Spia di carica
- 23 Pulsante di rilascio della batteria
- 24 Fessura per chiave di sicurezza
- 25 Accessorio per pacciamatura
- 26 Scivolo di scarico laterale

FUNZIONAMENTO

ASSEMBLAGGIO DEL SACCO RACCOGLIERBA

- 1) Fare scorrere il sacco raccogliherba sul telaio (Fig. F).
- 2) Assemblare i fermagli superiori sul telaio (Fig. G), quindi assemblare i due fermagli laterali. Assemblare per ultimo il fermaglio inferiore.
- 3) Il sacco raccogliherba completamente assemblato è mostrato in Fig.H.

REGOLAZIONE DELL'IMPUGNATURA PIEGHEVOLE

⚠ AVVERTENZA! Non tentare di avviare il tosaerba finché l'impugnatura non è stata bloccata in una delle tre posizioni operative predefinite (POSIZIONE OPERATIVA SUPERIORE, POSIZIONE OPERATIVA INTERMEDIA o POSIZIONE OPERATIVA INFERIORE).

Il tosaerba è consegnato con l'impugnatura in POSIZIONE BLOCCATA (Fig. I).

- 1) Tenere premuta la leva di regolazione rapida per

sbloccare l'impugnatura dalla POSIZIONE BLOCCATA.

- 2) Sollevare l'impugnatura dalla posizione ripiegata, quindi rilasciare la leva. Ruotare delicatamente l'impugnatura verso l'alto fino a sentire il perno che scatta in una delle diverse posizioni, come illustrato in Fig. J.

Descrizione delle parti in Fig. J:

J-1	Posizione ripiegata
J-2	Posizione di installazione/rimozione del sacco raccogliherba
J-3	Posizione operativa superiore
J-4	Posizione operativa intermedia
J-5	Posizione operativa superiore

IT

INSTALLAZIONE/RIMOZIONE DEL SACCO RACCOGLIERBA/ACCESSORIO PER PACCIAMATURA

⚠ AVVERTENZA! Non regolare mai il tosaerba senza aver prima arrestato il motore, rimosso la chiave di sicurezza e atteso il completo arresto della lama.

ATTENZIONE! Installare sul tosaerba uno degli accessori prima dell'uso.

- **Installare/rimuovere il sacco raccogliherba (Fig. K)**
Impostare l'impugnatura in una delle posizioni operative. Sollevare lo sportello di scarico posteriore e agganciare il sacco raccogliherba all'asta perno. Per rimuovere il sacco raccogliherba, sollevarlo dall'asta perno. Infine, rilasciare lo sportello dello scarico posteriore.
- **ATTENZIONE!** Rimuovere l'accessorio per pacciamatura dal tosaerba prima di installare il sacco raccogliherba sul tosaerba.
- **Installare/rimuovere l'accessorio per pacciamatura (Fig. L)**
Sollevare lo sportello di scarico posteriore e inserire l'accessorio per pacciamatura nel tosaerba. Per rimuoverlo è sufficiente estrarlo. Infine, rilasciare lo sportello dello scarico posteriore.
- **Installare/rimuovere lo scivolo di scarico laterale (Fig. M)**
Sollevare lo sportello dello scarico laterale. Allineare la scanalatura dello scivolo di scarico con la manopola dello sportello di scarico e rilasciare delicatamente lo sportello dello scarico laterale per farlo ruotare intorno all'asta perno finché non appoggia saldamente sullo scivolo di scarico. Per rimuoverlo, sollevare lo sportello dello scarico laterale,

sollevare lo scivolo dello scarico laterale ed estrarlo dalla manopola di assemblaggio dello sportello.

Descrizione delle parti in Fig. M:

M-1	Sportello dello scarico laterale
M-2	Manopola di assemblaggio
M-3	Scanalatura di assemblaggio
M-4	Scivolo di scarico laterale
M-5	Perno

IT

ATTENZIONE! L'accessorio per pacciamatura deve essere installato quando lo scivolo di scarico laterale è installato.

REGOLARE L'ALTEZZA DI TAGLIO (Fig. N)

AVVERTENZA! Tenere i piedi distanti dal tosaerba durante la regolazione dell'altezza. Il tosaerba è dotato di 6 altezze di taglio, da 25 mm a 95 mm. Selezionare l'altezza di taglio più adatta al tipo e alle condizioni dell'erba.

ATTENZIONE! Durante il trasporto dell'apparecchio, accertarsi che l'altezza di taglio sia impostata in posizione 3 o superiore per evitare di danneggiare la lama.

INSTALLARE/RIMUOVERE IL GRUPPO BATTERIA (Fig. O)

Usare esclusivamente con i gruppi batteria e i caricabatteria elencati in fig. A.

RICARICARE PRIMA DEL PRIMO UTILIZZO.

AVVERTENZA! In caso di componenti danneggiati o mancanti, non tentare di installare il gruppo batteria sul tosaerba e non usare il tosaerba finché le parti danneggiate o mancanti sono state sostituite per evitare il rischio di lesioni gravi.

■ Installazione

Spingere il gruppo batteria nel vano batteria fino a udire un "clic".

■ Rimozione

Premere il pulsante di rilascio della batteria nel vano batteria.

Descrizione delle parti in Fig. O:

O-1	Fessura per chiave di sicurezza
O-2	Chiave di sicurezza
O-3	Pulsante di rilascio della batteria

NOTA: accertarsi che il dispositivo di chiusura sul tosaerba si incastri in posizione e che il gruppo batteria sia fissato al tosaerba prima di iniziare il lavoro.

AVVIARE/ARRESTARE IL TOSAERBA

AVVERTENZA! L'uso del tosaerba può causare il

lancio di oggetti estranei verso l'operatore o altre persone, con il rischio di lesioni gravi agli occhi. Indossare sempre occhiali di sicurezza durante l'uso, la regolazione o la riparazione del tosaerba.

AVVERTENZA! Assicurarsi che eventuali altre persone e animali rimangano ad almeno 30m di distanza dal tosaerba quando è in funzione.

AVVERTENZA! La lama continua a ruotare per qualche secondo dopo lo spegnimento del tosaerba. Attendere che il motore/lama smetta di ruotare prima di riavviarlo. Non accendere e spegnere il tosaerba in rapida successione.

CHIAVE DI SICUREZZA

Per evitare l'avviamento accidentale o non autorizzato del tosaerba, nel design del tosaerba è stata incorporata una chiave di sicurezza removibile. Il tosaerba sarà completamente disattivo dopo aver rimosso la chiave di sicurezza.

PERICOLO! Le lame rotanti possono causare lesioni gravi. Per evitare lesioni gravi, rimuovere la chiave di sicurezza prima di lasciare il tosaerba incustodito o durante le operazioni di regolazione, pulizia, riparazione, trasporto, sollevamento o rimessaggio del tosaerba.

NOTA: affinché il motore possa essere avviato devono essere soddisfatte le seguenti condizioni:

- l'impugnatura è bloccata in una delle due posizioni operative
- i binari laterali sono completamente estesi (Fig. P);
- entrambi i morsetti verdi di bloccaggio dell'impugnatura sono chiusi saldamente (Fig. Q).

Q-1 | linea di indicazione

ATTENZIONE! Non tentare di disabilitare il funzionamento del pulsante di sicurezza e della barra di avanzamento.

Avvio

- 1) Installare il gruppo batteria sul tosaerba, inserire la chiave di sicurezza nell'apposita fessura e chiudere il coperchio del vano batteria (Fig. O).
- 2) Come illustrato in Fig. R, premere il pulsante di sicurezza.
- 3) Tenendo premuto il pulsante, tirare la barra di avviamento verso l'impugnatura e rilasciare il pulsante di sicurezza (Fig. S).

Arresto

- 1) Rilasciare la barra di avviamento.
- 2) Il freno elettrico del meccanismo di freno automatico arresterà la rotazione della lama entro 3 secondi dal

rilascio della barra di avviamento.

SISTEMA DI AVANZAMENTO AUTOMATICO A VELOCITÀ VARIABILE (LM2020E-SP)

Il tosaerba LM2020E-SP è dotato di un sistema di avanzamento automatico a velocità variabile. Il sistema è indipendente dall'interruttore della lama; non dipende dalla rotazione della lama.

Per usare il sistema senza al rotazione della lama, tirare la leva di avanzamento automatico verso l'impugnatura.

Per spegnere il sistema di avanzamento automatico, rilasciare la leva di avanzamento automatico.

Il sistema è dotato di velocità variabile. Per aumentare la velocità, spostare la leva di controllo della velocità di avanzamento automatico in avanti. Per diminuire la velocità, spostare la leva di controllo della velocità di avanzamento automatico all'indietro (Fig. T).

Funzionamento con la lama rotante di taglio

1. Avviare il tosaerba.
2. Tenendo la barra di avanzamento contro l'impugnatura con la mano sinistra, tirare la leva di avanzamento automatico verso l'impugnatura con la mano destra.
3. Tenere sia la barra di avanzamento che la leva di avanzamento automatico simultaneamente contro l'impugnatura con la mano destra, e usare la mano sinistra per regolare la leva di controllo della velocità di avanzamento automatico e selezionare la velocità desiderata..

AVVERTENZA! Per ridurre il rischio di lesioni, non tentare di disabilitare il funzionamento dell'interruttore o del sistema di avanzamento automatico. Usare l'avanzamento automatico esclusivamente per lo scopo previsto.

LUCI LED SUL TOSAERBA (Fig. A-13)

Premere l'interruttore (Fig. C-22) per accendere/spegnere le luci LED situate sulla parte anteriore del vano batteria.

SPIA DI CARICA SUL TOSAERBA (Fig. U)

Il tosaerba è dotato di una spia di carica che indica il livello di carica del gruppo batteria e lo stato operativo del tosaerba. La spia si illumina quando la lama è in rotazione o quando le luci LED sono accese.

Spia di carica sul tosaerba	Significato	Azione
Verde fissa	Il tosaerba è in funzione correttamente; la batteria è carica per almeno il 15%	N/A
Rossa fissa	Batteria debole	Arrestare il tosaerba e ricaricare il gruppo batteria
Rossa lampeggiante	Batteria quasi scarica	Arrestare il tosaerba e ricaricare il gruppo batteria
Arancione fissa	Il tosaerba o il gruppo batteria è surriscaldato	Rimuovere la batteria dal tosaerba, spostarli in un luogo all'ombra e lasciarli raffreddare per almeno 15 minuti
Arancione lampeggiante	Il motore è sovraccarico	Ridurre la velocità o aumentare l'altezza di taglio per ridurre il carico.

IT

PROTEZIONE CONTRO IL SOVRACCARICO

Per evitare danni causati da condizioni di sovraccarico, non tentare di tagliare troppa erba in una sola volta. Rallentare la velocità di taglio o aumentare l'altezza di taglio.

Il tosaerba è dotato di un circuito di protezione integrato contro il sovraccarico. Se il tosaerba è sovraccarico, il motore si arresterà e la spia di carica sul tosaerba lampeggerà di arancione. Rimuovere il gruppo batteria dal tosaerba. Controllare se l'erba si è accumulata sotto l'unità tosaerba e rimuoverla se necessario, quindi installare la batteria e riavviare il tosaerba.

PROTEZIONE CONTRO IL SURRISCALDAMENTO DELLA BATTERIA

Il gruppo batteria genera calore quando il tosaerba è in funzione. Il calore si dissipa più lentamente in ambienti caldi. Se la temperatura della batteria supera i 70°C quando il tosaerba è in funzione, il circuito di protezione spegnerà immediatamente il tosaerba per evitare che il gruppo batteria subisca danni. La spia di carica sul tosaerba si illuminerà di arancione. Rilasciare la barra di avviamento, attendere che la temperatura del gruppo batteria scenda fino a circa 67°C, quindi riavviare il tosaerba.

MANUTENZIONE

AVVERTENZA! Per evitare lesioni gravi, rimuovere sempre la chiave di sicurezza e il gruppo batteria dal tosaerba prima delle operazioni di pulizia o manutenzione.

AVVERTENZA! Per la riparazione dell'apparecchio, usare esclusivamente parti di ricambio identiche. L'uso di altri ricambi comporta situazioni pericolose o il rischio di danni all'apparecchio. Per garantire sicurezza e affidabilità, tutte le riparazioni e sostituzioni devono essere eseguite da un tecnico qualificato.

PULIZIA DEL TOSAERBA

AVVERTENZA! Rimuovere sempre la chiave di sicurezza e il gruppo batteria durante la riparazione o il trasporto del tosaerba.

Pulire la parte inferiore del tosaerba dopo ogni utilizzo per evitare l'accumulo di erba tagliata, foglie, sporcizia e altri detriti. Tale accumulo è dannoso perché favorisce la ruggine e la corrosione delle parti metalliche e riduce l'efficienza di taglio del tosaerba.

Rimuovere gli eventuali accumuli di erba e foglie sopra o intorno all'albero motore (esclusivamente LM2020E-SP) e alla ventola motore (non usare acqua). Pulire la superficie con un panno umido.

RIMOZIONE/INSTALLAZIONE DELLA LAMA

AVVERTENZA! Proteggere sempre le proprie mani indossando guanti robusti o avvolgendo i bordi di taglio con stracci o altri materiali durante le operazioni di manutenzione sulla lama del tosaerba.

- Rimuovere la lama (Fig. W).

NOTA: se il bullone ruota insieme all'albero motore quando viene allentato, ruotare la ventola a mano per allineare i fori nella ventola con i fori nella lama, e posizionare un'asta metallica attraverso i fori allineati

Installare la lama

Seguendo la sequenza di assemblaggio illustrata in Fig. V, con la ventola rivolta verso l'unità tosaerba e il lato stampato della lama rivolto verso l'esterno, allineare i fori nella ventola con i fori nella lama (Fig. X), quindi serrare la lama come illustrato in Fig. X.

Descrizione delle parti in Fig. V e W:

V-1	Ventola	V-5	Bullone
V-2	Flangia interna	W-1	Stabilizzatore 1
V-3	Lama	W-2	Stabilizzatore 2
V-4	Flangia esterna	W-3	Chiave 14 mm

NOTA: la coppia di serraggio raccomandata per la lama è 49-59Nm.

CONSERVAZIONE DEL TOSAERBA

- Rimuovere il gruppo batteria dal tosaerba e riporlo in un luogo pulito, fresco e asciutto. Non conservarlo in prossimità di sostanze corrosive, ad esempio fertilizzante o sale.
- Conservare il tosaerba in uno spazio coperto e chiuso, fresco e asciutto, fuori dalla portata dei bambini.
- Non coprire il tosaerba con teli cerati. I teli cerati intrappolano l'umidità intorno al tosaerba, favorendo la formazione di ruggine e corrosioni.
- Il tosaerba può essere conservato in posizione verticale o orizzontale (Fig. Z).

AVVERTENZA! Se il tosaerba inizia a inclinarsi quando è in posizione verticale può causare danni o lesioni. Stabilizzare sempre il tosaerba quando è in posizione verticale e tenerlo fuori dalla portata dei bambini. Se possibile, conservarlo in posizione piana.

Protezione dell'ambiente



Non smaltire gli apparecchi elettrici, caricabatteria e batterie/batterie ricaricabili insieme ai rifiuti indifferenziati!

Conformemente alle direttive europee 2012/19/EU e 2006/66/CE, i rifiuti di apparecchiature elettriche ed elettroniche, pile e accumulatori devono essere raccolti separatamente e smaltiti nel rispetto dell'ambiente.

Se gli apparecchi elettrici vengono smaltiti nelle discariche, le sostanze pericolose possono infiltrarsi nelle falde acquifere e contaminare la catena alimentare, con effetti dannosi sulla salute e il benessere.

RISOLUZIONE DEI PROBLEMI

⚠ AVVERTENZA! Rimuovere sempre la chiave di sicurezza e il gruppo batteria durante la riparazione o il trasporto del tosaerba. Proteggere sempre le proprie mani indossando guanti robusti o avvolgendo i bordi di taglio con stracci o altri materiali durante le operazioni di manutenzione sulla lama del tosaerba.

PROBLEMA	CAUSA	SOLUZIONE
Il tosaerba non si avvia	<ul style="list-style-type: none"> ■ Il gruppo batteria è scarico. ■ Il gruppo batteria non è installato correttamente nel vano batteria. ■ La temperatura del gruppo batteria o del tosaerba è troppo elevata (la spia di carica sul tosaerba si illuminerà di arancione per 10 secondi). ■ I binari laterali non sono estesi alla lunghezza massima e i morsetti non sono bloccati in posizione. ■ L'impugnatura è impostata in una delle due posizioni operative. ■ Il tosaerba è ostruito da erba e detriti. 	<ul style="list-style-type: none"> ■ Ricaricare il gruppo batteria. ■ Spingere il gruppo batteria nel vano batteria fino a udire un "clic". ■ Attendere che la temperatura del gruppo batteria o del tosaerba scenda al di sotto di 67°C. ■ Estendere completamente l'impugnatura e bloccare entrambe i morsetti. ■ Impostare l'impugnatura in una delle due posizioni operative. ■ Pulire il tosaerba e assicurarsi che la lama sia libera di muoversi.
Il tosaerba non taglia in modo uniforme	<ul style="list-style-type: none"> ■ La lama è smussata. ■ L'altezza di taglio non è adeguata. ■ La lama è assemblata in modo errato. 	<ul style="list-style-type: none"> ■ Affilare o sostituire la lama. ■ Aumentare l'altezza di taglio. ■ Riasssemblare la lama seguendo le istruzioni alla sezione INSTALLAZIONE DELLA LAMA di questo manuale.
Il tosaerba si arresta durante l'uso	<ul style="list-style-type: none"> ■ Il gruppo batteria è scarico. ■ Il tosaerba è sovraccarico. ■ Il tosaerba è ostruito da erba e detriti. ■ La temperatura del gruppo batteria o del tosaerba è troppo elevata (la spia di carica sul tosaerba si illuminerà di arancione per 10 secondi). ■ I binari laterali sono leggermente ritratti a causa della forza esercitata sull'impugnatura. 	<ul style="list-style-type: none"> ■ Ricaricare il gruppo batteria. ■ Ridurre la velocità o aumentare l'altezza di taglio. ■ Pulire il tosaerba. Aumentare l'altezza di taglio o ridurre la quantità di erba tagliata. ■ Attendere che la temperatura del gruppo batteria o del tosaerba scenda al di sotto di 67°C. ■ Sbloccare i morsetti. Estendere completamente i binari laterali e bloccare nuovamente i morsetti.

PROBLEMA	CAUSA	SOLUZIONE
Il tosaerba non esegue una corretta pacciamatura	<ul style="list-style-type: none">▪ Sulla parte inferiore del tosaerba rimangono incollati pezzi di erba bagnata.▪ Il tosaerba è regolato sul taglio di troppa erba in una sola volta.	<ul style="list-style-type: none">▪ Attendere che l'erba si asciughi prima di tagliarla.▪ Aumentare l'altezza di taglio.
Vibrazioni eccessive	<ul style="list-style-type: none">▪ La lama di taglio è allentata.▪ La lama di taglio non è bilanciata.▪ La lama di taglio è piegata.▪ L'albero di comando è piegato.	<ul style="list-style-type: none">▪ Serrare il bullone della lama.▪ Bilanciare la lama conformemente alle istruzioni.▪ Sostituire la lama.▪ Contattare il centro di assistenza.
Non è possibile chiudere i morsetti di bloccaggio dell'impugnatura	<ul style="list-style-type: none">▪ I binari laterali non sono completamente estesi.	<ul style="list-style-type: none">▪ Estendere completamente i binari laterali, quindi bloccare i morsetti.

IT

GARANZIA

CONDIZIONI DELLA GARANZIA EGO

Visitare il sito web egopowerplus.com per consultare le condizioni complete della garanzia EGO.

LEES ALLE INSTRUCTIES!



LEES DE GEBRUIKSAANWIJZING

⚠ WAARSCHUWING: Om een continue veiligheid en betrouwbaarheid te waarborgen, dienen alle reparaties en vervangingen van onderdelen uitgevoerd te worden door een vakbekwame reparateur.

Beoogd gebruik & voorzienbaar misbruik: Het beoogd gebruik is uitsluitend het maaien van gras in de tuin van woonhuizen. Hij mag niet worden gebruikt voor het maaien van buitengewoon hoog, droog of nat gras, bijv. weilanden; of om bladeren klein te maken. Het product mag alleen voor het voorheen genoemde doeleinde worden gebruikt. Ieder ander gebruik is in dit geval misbruik.

VEILIGHEIDSSYMBOLEN

Het doel van de veiligheidssymbolen is om u te wijzen op mogelijke gevaren. Besteed daarom voldoende aandacht hieraan en begrijp de veiligheidssymbolen en bijbehorende uitleg. De symboolwaarschuwingen op zich elimineren geen enkel gevaar. De gegeven instructies en waarschuwingen gelden niet als vervanging voor gepaste voorzorgsmaatregelen tegen ongevallen.

⚠ WAARSCHUWING: Lees en begrijp alle veiligheidsinstructies die in deze gebruikershandleiding zijn vermeld, waaronder alle veiligheidssymbolen zoals **"GEVAAR"**, **"WAARSCHUWING"**, en **"OPGELET"** voordat u dit apparaat in gebruik neemt. Het negeren van onderstaande instructies kan leiden tot elektrische schokken, brand en/of ernstig persoonlijk letsel.

BETEKENIS VAN DE SYMBOLEN

WAARSCHUWINGSSYMBOL: Geeft **GEVAAR**, **WAARSCHUWING** of **OPGELET** aan. Kan worden gebruikt in combinatie met andere symbolen of pictogrammen.

⚠ WAARSCHUWING: De werking van het gereedschap kan leiden tot het rondslingeren van (vreemde) objecten die in uw ogen kunnen terechtkomen. Dit kan leiden tot ernstig oogletsel. Wanneer u elektrisch gereedschap gebruikt, zorg er dan voor dat u altijd een veiligheidsbril (met zijschermen) of een gelaatsscherm draagt. We bevelen aan om een gelaatsscherm over uw bril of standaard veiligheidsbril met zijschermen te gebruiken.

VEILIGHEIDSVORSCHRIFTEN

Deze pagina toont en beschrijft alle veiligheidssymbolen die zich op dit product kunnen bevinden. Lees, begrijp en volg alle instructies op de machine voordat u deze in elkaar zet en gebruikt.

	Veiligheids-waarschuwing	Voorzorgsmaatregelen voor uw veiligheid.
	Lees de gebruikers-handleiding	De gebruiker dient de gebruikershandleiding voor het gebruik van dit product te lezen en te begrijpen om risico op letsel te beperken.
	Pas op de scherpe messen op.	De messen draaien nog nadat de motor is uitgeschakeld - Verwijder het blokkerend gereedschap voor onderhoud. Apparaat uitschakelen en accupack ontkoppelen (of blokkeer het apparaat) voordat u instellingen uitvoert of het apparaat reinigt.
	Houd omstanders uit de buurt	Zorg dat andere personen en huisdieren zich op minstens 30 meter van de grasmaaier bevinden wanneer u hem gebruikt.
	Houd de voeten en de hand weg	Houd de voeten en de hand weg
	CE	Dit product is in overeenstemming met de EG-richtlijnen.
	UKCA	Dit product is in overeenstemming met de geldende wetgeving van het VK.
	WEEE	Gooi afgedankte elektrische producten niet weg met het huisvuil. Breng ze naar een erkend inzamelpunt.
	Geluid	Gewaarborgd geluidsvermogensniveau. Geluidsemissie voor de omgeving in overeenstemming met de richtlijnen van de Europese Unie.
	IP symbool	Bescherming tegen het binnendringen van water Klasse 4
	Voit	Spanning
	Ampère	Stroom

NL

Hz	Hertz	Frequentie (cycli per seconde)
W	Watt	Vermogen
min	Minuten	Tijd
	Wisselstroom	Stroomtype
	Gelijkstroom	Stroomtype of -karakteristiek
n_0	Snelheid zonder belasting	Draaisnelheid, zonder belasting
.../min	Per minuut	Toeren per minuut

NL

ALGEMENE VEILIGHEIDSWAARSCHUWINGEN VOOR ELEKTRISCH GEREEDSCHAP

⚠ WAARSCHUWING: LEES ALLE VEILIGHEIDSWAARSCHUWINGEN, INSTRUCTIES, ILLUSTRATIES EN SPECIFICATIES DIE MET HET ELEKTRISCH GEREEDSCHAP ZIJN MEEGELEVERD. Het negeren van onderstaande instructies kan leiden tot een elektrische schok, brand en/of ernstig letsel. **BEWAAR ALLE WAARSCHUWINGEN EN INSTRUCTIES VOOR TOEKOMSTIG GEBRUIK.**

De term "elektrisch gereedschap" in de waarschuwingen verwijst naar uw op het voedingsnet aangedreven (met kabel) elektrisch gereedschap of accu-aangedreven (snoerloos) elektrisch gereedschap.

VEILIGHEID OP DE WERKPLAATS

- **Houd uw werkplaats schoon en goed verlicht.** Rommelige of donkere ruimten kunnen ongevallen veroorzaken.
- **Gebruik geen elektrisch gereedschap in ruimten waar een explosieve atmosfeer kan ontstaan, bijvoorbeeld in de aanwezigheid van ontvlambare vloeistoffen, gassen of stof.** Elektrisch gereedschap creëert vonken, deze kunnen stof of dampen in brand steken.
- **Houd kinderen en omstanders uit de buurt wanneer u een elektrisch gereedschap bedient.** Aflleiding kan tot controleverlies leiden.

ELEKTRISCHE VEILIGHEID

- **De stekker van het elektrisch gereedschap dient met het stopcontact overeen te stemmen. Pas de stekker op geen enkele manier aan. Gebruik geen adapterstekker met geaard elektrisch gereedschap.** Niet aangepaste stekkers en

overeenkomstige stopcontacten beperken het risico op een elektrische schok.

- **Vermijd lichaamscontact met geaarde oppervlakken, zoals pipleidingen, radiatoren, fornuizen of koelkasten.** Het risico op een elektrische schok is groter als uw lichaam geaard is.
- **Stel elektrisch gereedschap niet bloot aan regen of vochtige omstandigheden.** Water dat elektrisch gereedschap binnendringt, vergroot het risico op een elektrische schok.
- **Gebruik de kabel niet op een verkeerde manier. Gebruik de kabel nooit om het elektrisch gereedschap te dragen, te trekken of om de stekker uit het stopcontact te halen. Houd de kabel uit de buurt van hitte, olie, scherpe randen of bewegende onderdelen.** Beschadigde of verstrikte kabels vergroten het risico op een elektrische schok.
- **Wanneer u een elektrisch gereedschap buitenshuis bedient, gebruik dan een verlengkabel die geschikt is voor gebruik buitenshuis.** Het gebruik van een kabel die voor gebruik buitenshuis geschikt is, verkleint het risico op een elektrische schok.
- **Als het gebruik van elektrisch gereedschap in een vochtige ruimte noodzakelijk is, gebruik een differentieelschakelaar.** Het gebruik van een differentieelschakelaar verkleint het risico op elektrische schokken.

PERSOONLIJKE VEILIGHEID

- **Wees waakzaam, let op wat u doet en gebruik uw gezond verstand wanneer u elektrisch gereedschap gebruikt. Gebruik het elektrisch gereedschap niet als u moe bent of onder de invloed bent van drugs, alcohol of medicijnen.** Een moment van onoplettendheid tijdens het gebruik van elektrische gereedschappen kan leiden tot ernstig persoonlijk letsel.
- **Gebruik persoonlijke beschermingsmiddelen. Draag altijd oogbescherming.** Beschermingsmiddelen zoals een stofmasker, slipvast werkschoenen, veiligheidshelm of gehoorbescherming afhankelijk van de aard en het gebruik van het gereedschap verkleint het risico op persoonlijk letsel.
- **Vermijd dat het gereedschap per ongeluk wordt gestart. Zorg dat de schakelaar op de stand 'Uit' is ingesteld voordat u het gereedschap op een stroombron en/of accupack aansluit, vastneemt of draagt.** Het dragen van elektrisch gereedschap met uw vinger op de schakelaar of gereedschap ingeschakeld op de stroomvoorziening aansluiten kan ongevallen veroorzaken.
- **Verwijder instelsleutels of moersleutels voordat**

u het elektrisch gereedschap inschakelt. Een instelsleutel of moersleutel in een draaiend deel van het elektrisch gereedschap achterlaten kan leiden tot persoonlijk letsel.

- **Reik niet te ver. Zorg er altijd voor dat u stevig en stabiel staat.** Dit zorgt ervoor dat u het elektrisch gereedschap in onverwachte situaties beter onder controle kunt houden.
- **Draag passende kleding. Draag geen los hangende kleding of sieraden. Houd uw haar, kleding en handschoenen uit de buurt van bewegende onderdelen.** Los hangende kleding, juwelen en lang haar kunnen in bewegende onderdelen verstrikt raken.
- **Wanneer de montage van stofafzuiging- of stofopvangvoorzieningen mogelijk is, dient u ervoor te zorgen dat deze juist aangesloten en gebruikt worden.** Het gebruik van voorzieningen voor stofopvang kan helpen om het risico in verband met stof te verlagen.
- **Word niet zelfingenomen door de ervaring die u heeft opgedaan door frequent gebruik, waardoor u dan de veiligheidswaarschuwingen negeert.** Een achteloze actie kan binnen een fractie van een seconde ernstig letsel veroorzaken

ELEKTRISCH GEREEDSCHAP GEBRUIKEN EN ONDERHOUDEN

- **Overbelast het elektrisch gereedschap niet. Gebruik het juiste elektrisch gereedschap voor uw toepassing.** Met het juiste elektrisch gereedschap werkt u beter en veiliger binnen het aangegeven vermogensbereik.
- **Gebruik het elektrisch gereedschap niet als de schakelaar niet kan worden in- en uitgeschakeld.** Elektrisch gereedschap dat niet kan worden in- of uitgeschakeld is gevaarlijk en moet worden gerepareerd.
- **Trek de stekker uit het stopcontact en/of verwijder het accupack voordat u het elektrisch gereedschap instelt, accessoires vervangt of het gereedschap opbergt.** Deze preventieve voorzorgsmaatregelen beperken het risico op onbedoeld starten van het elektrisch gereedschap.
- **Berg niet-gebruikt elektrisch gereedschap op buiten het bereik van kinderen en zorg ervoor dat personen die niet vertrouwd zijn met het gereedschap of die deze instructies niet hebben gelezen het gereedschap niet gebruiken.** Elektrisch gereedschap is gevaarlijk wanneer het door onervaren personen wordt gebruikt.

- **Onderhoud het elektrisch gereedschap en de accessoires. Controleer of de bewegende onderdelen correct functioneren en niet vastklemmen en of de onderdelen zodanig gebroken of beschadigd zijn dat de werking van het elektrisch gereedschap nadelig wordt beïnvloed. Laat een beschadigd elektrisch gereedschap eerst repareren voordat u het weer in gebruik neemt.** Vele ongevallen zijn het gevolg van slecht onderhouden elektrisch gereedschap.
- **Houd de snij-onderdelen scherp en schoon.** Zorgvuldig onderhouden scherp-gereedschap met scherpe snijranden klemmen minder snel vast en zijn gemakkelijker te beheersen.
- **Gebruik het elektrisch gereedschap, accessoires, inzetgereedschap, etc. in overeenstemming met deze instructies en houd hierbij rekening met de werkomstandigheden en de uit te voeren werkzaamheden.** Het gebruik van elektrisch gereedschap voor andere dan de beoogde toepassingen kan tot gevaarlijke situaties leiden.
- **Houd de handgrepen en greepvlakken droog, schoon en vrij van olie en smeervet.** Gladde handgrepen en greepvlakken kunnen leiden tot onveilig gebruik en/of het verlies van de controle over het gereedschap.

NL

ACCU-GEREEDSCHAP GEBRUIKEN EN ONDERHOUDEN

- **Opladen alleen met de lader die door de fabrikant is aangegeven.** Een lader die geschikt is voor een bepaald type accupack kan tot brandgevaar leiden wanneer hij gebruikt wordt met een ander accupack.
- **Gebruik elektrisch gereedschap alleen met het specifiek aangegeven accupack.** Het gebruik van andere accupacks kan risico op letsel en brandgevaar veroorzaken.
- **Wanneer u het accupack niet gebruikt, houd het uit de buurt van andere metalen voorwerpen zoals paperclips, munten, sleutels, spijkers, schroeven of andere kleine metalen voorwerpen die de twee aansluitklemmen kunnen verbinden.** Het kortsluiten van de aansluitklemmen kan brandwonden of brand veroorzaken.
- **Bij verkeerd gebruik kan er vloeistof uit de accu worden gespoten; vermijd elk contact. Als aanraking met de vloeistof toevallig plaatsvindt, spoel het dan af met water. Als de vloeistof in de ogen komt, dient u onmiddellijk een arts te consulteren.** Vloeistof dat uit de accu wordt uitgespoten kan irritatie of brandwonden veroorzaken.

- **Gebruik een accupack of gereedschap dat is beschadigd of aangepast niet.** Beschadigde of aangepaste accu's kunnen resulteren in onvoorzien gedrag zoals brand, explosie of het risico op letsel.
- **Stel een accupack of gereedschap niet bloot aan vuur of excessieve temperaturen.** Blootstelling aan vuur of temperaturen boven 130°C kunnen leiden tot een explosie.
- **Neem alle laad instructies in acht en laad het accupack of het gereedschap niet buiten het gespecificeerde temperatuurbereik in de handleiding op.** Het onjuist laden of bij een temperatuur buiten het temperatuurbereik kan de accu beschadigen en er bestaat een gevaar op brand.

SERVICE

- **Laat uw elektrisch gereedschap repareren door een gekwalificeerde reparateur en alleen met identieke reserve-onderdelen.** Dit waarborgt de veiligheid van het elektrisch gereedschap.
- **Repareer beschadigde accupacks nooit.** Onderhoud van accupacks mag alleen worden uitgevoerd door de fabrikant of een geautoriseerde dienstverlener.

VEILIGHEIDSINSTRUCTIES VOOR DE ACCU GRASMAAIER

⚠ GEVAAR: Dit gereedschap werd gebouwd om volgens de veiligheidsvoorschriften, waaronder de voorschriften in deze handleiding, worden gebruikt. Net zoals bij ieder elektrisch gereedschap kunnen nalatigheid of fouten van de gebruiker resulteren in ernstig letsel. Dit gereedschap is in staat handen en voeten te verwonden en voorwerpen rond te slingeren. Het negeren van de veiligheidsinstructies kan ernstig letsel of de dood tot gevolg hebben.

⚠ WAARSCHUWING: Tijdens het gebruik van accu grasmaaiers, moeten de volgende standaard veiligheidsmaatregelen worden genomen om het risico op brand, elektrische schokken en persoonlijk letsel te vermijden.

BELANGRIJK

LEES GRONDIG VOOR GEBRUIK. BEWAAR VOOR LATERE RAADPLEGING.

VEILIGHEIDSINSTRUCTIES VOOR DE ACCU GRASMAAIERS:

WAARSCHUWING-RAAK HET ROTERENDE MES NIET AAN!

OPLEIDING

- Lees de instructies aandachtig door. Maak u vertrouwd met de bedieningsknoppen en het juiste gebruik van het gereedschap.
- Personen of kinderen die deze instructies niet kennen mogen het gereedschap nooit gebruiken. De lokale wetgeving kan de leeftijd van de bediener begrenzen.
- Maai nooit als er zich mensen, in het bijzonder kinderen of huisdieren, in de buurt bevinden.
- De bediener of gebruiker is verantwoordelijk voor ongevallen of gevaren die zich bij ander personen of hun eigendommen voordoen.

VOORBEREIDING

- Tijdens het maaien, draag altijd gepast schoeisel en een lange broek.
- Gebruik het gereedschap nooit met blote voeten of sandalen. Voorkom dat u los zittende kleding met los hangende koorden of stropdassen draagt.
- Controleer het gebied waar u het gereedschap wilt gebruiken en verwijder alle stenen, stokken, draden, botten en andere vreemde voorwerpen.
- Voordat u het gereedschap gebruikt, dient u de messen, moeren van de messen en de opbouw van de messen op slijtage of beschadigingen te controleren. Vervang versleten of beschadigde messen en moeren als set om de balans te behouden. Vervang beschadigde of onleesbare labels.

GEBRUIK

- Maai alleen bij daglicht of voldoende kunstmatig licht.
- Voorkom naar mogelijkheid het gebruik in nat gras.
- Let op uw houding als u het gereedschap op hellingen gebruikt.
- Altijd lopen, nooit rennen.
- Met grasmaaiers met wielen dient u de hellingen zijdelings te maaien, nooit naar boven en beneden.
- Wees voorzichtig als u van richting verandert op een helling.
- Maai niet op extreem steile hellingen.
- Wees zeer voorzichtig als u draait of het gereedschap in uw richting trekt.
- Stop het mes (de messen) als het gereedschap gekanteld wordt voor transport over andere oppervlakten dan gras en als u het gereedschap van en naar het gazon brengt waar u wilt maaien.
- Gebruik het gereedschap nooit met defecte schermen of beschermers, of zonder gemonteerd veiligheidsmechanisme, zoals deflectors en/of de opvangzak.

- Schakel de motor volgens de instructies in en houd uw voeten uit de buurt van het mes (de messen).
- Kantel het gereedschap niet als u de motor inschakelt, tenzij het gereedschap gekanteld moet worden om het in te schakelen. In dit geval dient u het gereedschap niet meer dan nodig te kantelen en alleen het gedeelte te kantelen, dat het verst weg is van de bediener. Houd beide handen in werkstand voordat u het gereedschap op de grond inschakelt. Start het gereedschap niet, als u voor de afvoeropening staat.
- Houd uw handen en voeten uit de buurt van de draaiende onderdelen. In geval van cirkelmaaiers dient u uit de buurt van de afvoeropening te blijven.
- Til het gereedschap nooit op en draag het niet als de motor is ingeschakeld.
- Schakel uit en verwijder het accupack (of schakel het gereedschap uit) en zorg ervoor dat alle bewegende onderdelen helemaal tot stilstand zijn gekomen voordat u veranderingen uitvoert of het gereedschap reinigt:
 - Wanneer u het gereedschap zonder toezicht achterlaat;
 - Voordat u een blokkade verwijdert of de koker leeg maakt;
 - Voor het controleren, reinigen of onderhouden van het gereedschap;
 - Na het raken van een vreemd voorwerp. Controleer het gereedschap op beschadigingen en voer indien nodig reparaties uit.
- Als het gereedschap overmatig trilt (direct controleren):
 - Controleer op beschadigingen;
 - Vervang of repareer beschadigde onderdelen;
 - Controleer op losse onderdelen en draai deze vast.

ONDERHOUD EN OPSLAG

- Wees voorzichtig bij het instellen van het gereedschap om het vast komen te zitten met de vingers tussen de bewegende messen en vaste delen van het gereedschap te voorkomen.
- Zorg dat alle moeren, bouten en schroeven altijd stevig vastgedraaid zijn om een veilige werking van het gereedschap te waarborgen.
- Controleer de opvangzak regelmatig op slijtage of schade.
- Vervang versleten of beschadigde onderdelen uit veiligheidsoverwegingen.
- Kinderen mogen het gereedschap niet reinigen of onderhouden zonder toezicht.
- Als u onderhoud aan de messen uitvoert dient u erop te letten, dat ondanks dat de stroombron is uitgeschakeld, de messen desalniettemin kunnen bewegen.
- In geval van cirkelmaaiers dient u ervoor te zorgen, dat de messen door het juiste type wordt vervangen.

PERSOONLIJKE VEILIGHEID

Er kunnen tragische ongelukken gebeuren als de gebruiker niet alert is bij de aanwezigheid van kinderen. Kinderen worden vaak aangetrokken tot de grasmaaier en de maai-activiteiten. Zij begrijpen de gevaren niet. Ga er nooit van uit dat kinderen op de plek blijven, waar u ze voor het laatst heeft gezien.

- Houd kinderen uit de buurt van het te maaien gebied en onder toezicht oog van een verantwoordelijke volwassene die niet tevens de bediener is.
- Wees alert en schakel de grasmaaier uit als een kind in het gebied loopt.
- Wees uiterst voorzichtig als u in de buurt van blinde hoeken, deuren, struiken, bomen of andere objecten komt dat uw zicht belemmert, waardoor u een kind dat richting de grasmaaier rent niet kunt zien.
- Houd toezicht over kinderen zodat ze niet met de grasmaaier spelen.
- Schakel de grasmaaier altijd uit als u het accupack uit het gereedschap verwijdert. Stop het mes (de messen) als het gereedschap gekanteld wordt voor transport over andere oppervlakten dan gras en als u het gereedschap van en naar het gazon brengt waar u wilt maaien.

GEBRUIK

ALGEMEEN GEBRUIK:

- Lees deze gebruikershandleiding aandachtig en in zijn geheel door voordat u probeert het gereedschap te monteren. Lees, begrijp en volg alle instructies op het gereedschap en in de handleidingen op voordat u het gereedschap gebruikt. Wees volledig vertrouwd met de bedieningselementen en het juiste gebruik van het gereedschap voordat u het in gebruik neemt. Bewaar deze handleiding voor latere en regelmatige raadpleging en voor het bestellen van reserveonderdelen.
- Gebruik het gepaste toebehoor - Gebruik de grasmaaier alleen waarvoor hij is bedoeld.
- Reik niet te ver - Zorg er altijd voor dat u stevig en stabiel staat.
- Voorwerpen die door het mes van de grasmaaier worden geraakt kunnen zwaar persoonlijk letsel veroorzaken. Inspecteer het gazon altijd aandachtig en verwijder alle voorwerpen voordat u met maaien begint.
- Voor en tijdens het naar achteren bewegen, dient u naar achteren en beneden te kijken om te zien of er zich kinderen of andere mensen bevinden.

- Dit gereedschap is geen speelgoed. Ga daarom altijd zeer voorzichtig te werk. Het gereedschap is ontworpen met één gebruiksdoeleinde: het maaien van gras. Gebruik het voor geen enkel ander doeleinde.
- Forceer de grasmaaier niet - hij werkt beter en veiliger binnen het aangegeven capaciteitsbereik.
- Voordat u het gereedschap gebruikt, dient u de messen, moeren van de messen en de opbouw van de messen op slijtage of beschadigingen te controleren. Vervang versleten en beschadigde messen en bouten en andere onderdelen gelijktijdig om het evenwicht te behouden. Vervang beschadigde of onleesbare labels.
- Wees zeer voorzichtig als u draait of het gereedschap in uw richting trekt.
- Inspecteer grondig het gebied waar u het gereedschap wilt gebruiken. Verwijder alle stenen, stokken, draden, speelgoed en andere vreemde voorwerpen waar u over kunt struikelen of die weggeslingerd kunnen worden door het mes. Weggeslingerde voorwerpen kunnen ernstig persoonlijk letsel veroorzaken. Plan uw maaibeeld om het verwijderen van materiaal in richting van wegen, paden en omstanders en dergelijke te voorkomen. Vermijd ook dat materiaal tegen muren of obstakels vliegen, wat ertoe kan leiden dat het materiaal wordt teruggekaatsd richting de gebruiker.
- Om contact met of letsel door weggeslingerde voorwerpen te voorkomen, dient u in de gebruikszone achter de handvatten te blijven en dienen kinderen, omstanders, helpers en dieren minstens 30 meter uit de buurt te blijven als de grasmaaier in gebruik is. Stop het gereedschap als iemand in het gebied komt.
- Draag altijd een veiligheidsbril of werkbril om tijdens het gebruik en als u instellingen of reparaties uitvoert uw ogen te beschermen. Weggegooide objecten die terugkaatsen kunnen ernstig letsel aan de ogen veroorzaken. Gebruik altijd een gezichts- of stofmasker wanneer u in een stoffige omgeving werkt.
- Draag gepaste kleding - Draag geen loshangende kleding of juwelen. Deze kunnen in de bewegende onderdelen vast komen te zitten. Rubber handschoenen en stevig schoeisel worden aanbevolen wanneer u buitenshuis werkt. Draag stevig schoeisel met ruwe zool en strak zittende broeken en shirts. Aanbevolen worden shirts en broeken die de armen en benen bedekken en schoenen met stalen neuzen. Gebruik dit gereedschap nooit blootsvoets, met sandalen, met wegglijdende of lichtgewicht (bijv. canvas) schoenen.
- Houd uw handen en voeten uit de buurt van de draaiende onderdelen en de messen. Contact met de messen kan letsel aan handen en voeten veroorzaken.
- Een missende of beschadigde afdekking van de afvoer kan contact met de messen en hierdoor letsel door weggeslingerde voorwerpen veroorzaken.
- Veelvuldig letsel ontstaat als de grasmaaier wordt teruggetrokken en hierbij de voet raakt, als men valt ten gevolg van uitglijden of struikelen. Houd de grasmaaier niet vast als u valt; laat het handvat direct los.
- Trek de grasmaaier nooit terug als u wandelt. Als u de grasmaaier naar achteren moet bewegen, weg van een wand of obstructie, dient u eerst naar beneden en achterom te kijken om te voorkomen dat u ergens over struikelt en de volgende stappen in acht te nemen:
 - Ga met volledig gestrekte armen naar achteren.
 - Zorg er voor dat u stevig staat.
 - Trek de grasmaaier langzaam terug, niet meer dan de helft in uw richting.
 - Herhaal deze stappen indien nodig.
- Gebruik de grasmaaier niet als u onder de invloed van alcohol of drugs bent.
- Blijf aandachtig – let op wat u doet. Gebruik uw gezond verstand. Gebruik de grasmaaier niet als u moe bent.
- De motor/mes-bedienshandvat is een veiligheidsvoorziening. Probeer deze voorziening niet te overbruggen. Door dit te doen wordt de veiligheidsvoorziening onbruikbaar wat in persoonlijk letsel met het roterende mes kan leiden. De motor/mes-bedienshandvat moet makkelijk in beide richtingen bediend kunnen worden en automatisch in de uitgangspositie gaan als hij wordt losgelaten.
- Vermijd gevaarlijke omgevingen – Gebruik de grasmaaier niet in een vochtige of natte omgeving.
- Gebruik de machine niet als het regent.
- Let altijd op uw houding. Uitglijden en vallen kan ernstig persoonlijk letsel veroorzaken. Als u het gevoel heeft, uw evenwicht te verliezen, dient u de motor/mes-bedienshandvat direct los te laten, waarna het mes binnen drie seconden stopt met draaien.
- Stop het mes als u over grindpaden, stoepen of wegen loopt.
- Als het gereedschap abnormaal trilt, stop de motor en zoek onmiddellijk naar de oorzaak. Trilling wijst vaak op een storing.
 - Controleer op beschadigingen;
 - Vervang of repareer beschadigde onderdelen die door de gebruiker kunnen worden vervangen;
 - Controleer op losse onderdelen en draai deze vast.
 - Gebruik de grasmaaier nooit zonder correct geïnstalleerd sleepscherf, afdekking, opvangzak, mulch-invoer, zijkoker, motor/mes-

bedieningshandvat of de gemonteerde en werkende veiligheidsvoorzieningen. Gebruik de grasmaaier nooit met beschadigde veiligheidsvoorzieningen.

Anders kan dit leiden tot persoonlijk letsel.

- Als er zich situaties voordoen die niet in deze handleiding zijn behandeld, gebruik uw gezond verstand. Neem contact op met het EGO klantenservicecentrum voor bijstand.
- Haal het accupack uit het gereedschap alvorens het gereedschap af te danken.
- Gooi het accupack op een veilige manier weg.

GEBRUIK OP EEN HELLING:

Hellingen zijn een belangrijke factor bij ongevallen waarbij men uitglijdt en valt. Deze kunnen in ernstig letsel resulteren. Let op uw houding als u het gereedschap op hellingen gebruikt. U dient extra alert te zijn als u het gereedschap op een helling gebruikt. Maai niet op een helling, als u zich niet op uw gemak voelt.

Maai:

- De hellingen zijdelings; nooit naar boven en beneden. Wees erg voorzichtig als u van richting verandert op een helling.
- Let op gaten, sporen, stenen, verborgen voorwerpen, of bobbels die ertoe kunnen leiden dat u uitglijdt of struikelt. In hoog gras kunnen zich obstakels verbergen.

Maai niet:

- In de buurt van afronden, sloten of dijken; u kunt uw evenwicht verliezen en vallen.
- Maai geen hellingen van meer dan 15 graden.
- Als het gras nat is. Als een onstabiele stand ertoe kan leiden dat u uitglijdt.

REPARATIES

⚠ WAARSCHUWING: Componenten van de opvangzak, afdekking, zijkoker, mulch-invoer en sleepscherf zijn onderhevig aan slijtage en beschadigingen, waardoor bewegende delen vrij toegankelijke kunnen worden en waardoor voorwerpen weggeslingerd kunnen worden waardoor het risico op letsel toeneemt. Uit veiligheidsoverwegingen dient u regelmatig alle onderdelen te controleren en beschadigde onderdelen direct door identieke onderdelen, die in deze handleiding worden genoemd, te vervangen. Neem contact op met de klantenservice van EGO of uw dichtstbijzijnde EGO service center. Laat reparaties of vervangingen door een gekwalificeerde servicemonteur uitvoeren!

- Als de ingebouwde overbelastingsbeveiliging regelmatig wordt geactiveerd, dient u contact op te nemen met de klantenservice van EGO of uw dichtstbijzijnde EGO service center.

- Reinig de grasmaaier niet met een tuinslang. Zorg dat de motor of elektrische componenten niet met water in aanraking komen.
- Verwijder de sleutel en berg de uitgeschakelde grasmaaier binnenshuis als hij niet wordt gebruikt. Laat de motor afkoelen alvorens hem in een gesloten ruimte op te bergen. De grasmaaier dient te worden opgeslagen in een droge, hoge of gesloten ruimte, buiten het bereik van kinderen.
- Gebruik tijdens onderhoud alleen identieke reserveonderdelen die in deze handleiding zijn vermeld. Het gebruik van onderdelen die niet aan de specificaties van de originele uitrusting voldoen kunnen verkeerde prestaties leveren en de veiligheid in gevaar brengen.
- Verwijder of ontkoppel de accu voor onderhoud, reiniging of verwijdering van vastzittend materiaal uit de grasmaaier.
- Volg de instructies over het vervangen van accessoires.
- Houd de handvatten droog, schoon en vrij van olie en smeervet.
- Om brandgevaar te minimaliseren dient u de afdekking vrij van gras, bladeren en vuilophoppingen te houden.
- Controleer regelmatig of het zaagblad en de motormontagebouten stevig zijn vastgedraaid. Inspecteer de messen tevens regelmatig op schade (bijv. buigen, barsten of slijtage). Vervang de messen alleen door een origineel reserve-onderdeel, dat in de handleiding wordt genoemd.
- Ga zorgvuldig om met uw grasmaaier – houd de messen scherp en schoon voor het beste en veiligste gebruik. De messen van de grasmaaier zijn scherp en kunnen snijden. Pak de messen in of draag handschoenen en ga zeer voorzichtig te werk wanneer u het onderhoudt.
- Verwijder of pas de veiligheidsvoorzieningen nooit aan. Controleer regelmatig of het gereedschap juist werkt. Doe nooit iets dat de juiste werking van de veiligheidsvoorziening kan hinderen of dat de bescherming die de veiligheidsvoorziening biedt beperkt.
- Breng de motor altijd tot stilstand voordat u aanpassingen aan het wiel of de maaihoogte maakt.
- Nadat u een vreemd voorwerp heeft geraakt, dient u de motor te stoppen, de sleutel te verwijderen, en de grasmaaier grondig op beschadigingen te inspecteren. Repareer de schade voordat u de grasmaaier weer in gebruik neemt.
- Onderhoud of vervang de veiligheids- en instructielabels indien dit nodig mocht zijn. Neem contact op met de klantenservice van EGO of uw dichtstbijzijnde EGO service center. Laat reparaties of vervangingen door een gekwalificeerde servicemonteur uitvoeren!

- **BEWAAR DEZE GEBRUIKSAANWIJZING.** Raadpleeg de gebruiksaanwijzing indien nodig en gebruik deze om andere personen die dit apparaat zullen gebruiken te instrueren. Al u dit gereedschap aan iemand anders geeft, doe dan tevens deze gebruikershandleiding erbij om verkeerd gebruik en mogelijk letsel te voorkomen.

ACCU GEBRUIKEN EN ONDERHOUDEN

- Om de natuurlijke hulpbronnen te ontzien, dient u de accu's te recyclen of op correcte wijze te verwijderen. Dit product bevat lithium-ion accu's. Lokale of nationale wetten verbieden de verwijdering van lithium-ion accu's via het normale huisafval. Raadpleeg uw lokale overheid voor informatie over de mogelijkheid tot recycling en/of verwijdering.
- Na verwijdering van het accupack voor afdanking of recycling, dient u de aansluitklemmen van het accupack af te dekken met hoogwaardig plakband. Probeer niet om het accupack te vernietigen of uit elkaar te halen, of om componenten te verwijderen. Lithium-ion accu's moeten worden gerecycled of correct verwijderd. Raak de polen nooit met metalen voorwerpen en/of lichaamsdelen aan aangezien dit tot kortsluiting kan leiden. Buiten het bereik van kinderen houden. Het negeren van deze waarschuwingen kan leiden tot brand en/of ernstig letsel.
- **BIJ VERKEERD GEBRUIK KAN ER VLOEISTOF UIT DE ACCU WORDEN GESPOTEN; VERMIJD ELK CONTACT. ALS AANRAKING MET DE VLOEISTOF TOEVALLIG PLAATSVINDT, SPOEL HET DAN AF MET WATER. ALS ER VLOEISTOF IN CONTACT IS GEKOMEN MET DE OGEN, RAADPLEEG DAN OOK EEN ARTS.** Vloeistof dat uit de accu wordt gespoten kan irritaties of brandwonden veroorzaken.

SPECIFICATIES

Modelnummer	LM2020E	LM2020E-SP
Zelfaangedreven systeem	No	Ja
Spanning	56 V	56 V
Snelheid zonder belasting	3000 /min	3000 /min
Maaihogte	25-95 mm	25-95 mm
Aanbevolen bedrijfstemperatuur:	0°C-40°C	0°C-40°C
Aanbevolen opslagtemperatuur:	-20°C-70°C	-20°C-70°C
Maaihogte standen	6	6
Afmetingen afdekking	51 cm	51 cm
Snijbreedte	50 cm	50 cm

Inhoud van de opvangzak	60 L	60 L
Gewicht van de grasmaaier (zonder accupack, mulch-invoer)	24,4 kg	27,2 kg
Messenmodel	AB2001	AB2001
Gemeten geluidsvermogensniveau L_{WA}	91,5 dB(A) K=1,80 dB(A)	91,0 dB(A) K=1,89 dB(A)
Geluidsdrukkniveau aan het oor van de bediener L_{PA} K=3 dB(A)	79,5 dB(A)	79,2 dB(A)
Gewaarborgd geluidsvermogensniveau L_{WA} (volgens 2000/14/EG)	93 dB(A)	93 dB(A)
Vibratie $a_{h,v}$, K=1,5 m/s ²	Linker handvat	≤2,5 m/s ²
	Rechter handvat	≤2,5 m/s ²
Messenrem	Ja	Ja

- De opgegeven totale vibratiewaarde is gemeten volgens de standaard testmethode en kan worden gebruikt om het apparaat met een ander apparaat te vergelijken;
- De opgegeven totale vibratiewaarde kan ook worden gebruikt in een voorafgaande beoordeling op blootstelling.

MEDEDELING: De vibratie-afgifte tijdens het werkelijk gebruik van het elektrisch gereedschap kan verschillen van de opgegeven totale waarde; Om de bediener te beschermen dient de gebruiker tijdens het gebruik handschoenen en gehoorbescherming te dragen.

INHOUD VAN DE VERPAKKING

NAAM ONDERDEEL	AANTAL
Grasmaaier	1
Opvangzak	1
Frame van de opvangzak	1
Mulch-invoer	1
Zijkoker	1
Veiligheids sleutel	1
Gebruikershandleiding	1

BESCHRIJVING

KEN UW GRASMAAIER (afb. A & B & C & D & E)

- 1 Veiligheidsschakelaar (schakelhendel)
- 2 Handvat
- 3 Veiligheidsknop
- 4 Schakelaar voor de zelfaandrijving
- 5 Vergrendelklem voor het handvat
- 6 Opvangzak
- 7 Hendel voor het instellen van de maaihoogte
- 8 Achterwiel
- 9 Zijklep
- 10 Grasmaaierafdekking
- 11 LED werklampen
- 12 Afdekking
- 13 Voorste handvat
- 14 Afdekking accupack
- 15 Achterste handvat
- 16 Hendel voor de instelling
- 17 Achterklep
- 18 Zijgeleider
- 19 Bedienhendel voor de snelheid van het zelfaangedreven systeem
- 20 Sleepscherm
- 21 Schakelaar voor de LED werklampen
- 22 Indicatielampje
- 23 Accuvrijgaveknop
- 24 Veiligheidsleutel sleuf
- 25 Mulch-invoer
- 26 Zijkoker

BEDIENING

MONTAGE VAN DE OPVANGZAK

- 1) Schuif de opvangzak op het frame (afb. F).
- 2) Bevestig de bovenste clips aan het frame (afb. G) en bevestig vervolgens de twee zijdelingse clips. Bevestig als laatste de onderste clip.
- 3) De compleet gemonteerde opvangzak wordt weergegeven in afb. H.

AANPASSEN VAN HET INKLAPBARE HANDVAT

⚠ WAARSCHUWING: Probeer de grasmaaier niet te starten totdat het handvat in één van de vooraf ingestelde bedieningsposities (BOVENSTE BEDIENINGSPOSITIE, MIDDELSTE BEDIENINGSPOSITIE en ONDERSTE BEDIENINGSPOSITIE).

Uw grasmaaier wordt verstuurd met het handvat in de compacte, VERGRENDELDE OPSLAGPOSITIE (afb. I).

- 1) Druk de hendel voor de snelle instelling om hem uit de VERGRENDELDE OPSLAGPOSITIE te halen.
- 2) Til het handvat uit de opgevouwen positie te tillen en laat vervolgens de hendel los. Beweeg het handvat langzaam omhoog totdat u hoort en voelt hoe de pin in één van de verschillende posities vastklikt zoals weergegeven in afb. J.

Afb. J beschrijving van de onderdelen zie beneden:

J-1	Vergrendelde opslagpositie
J-2	Opvangzak bevestigings-/verwijderingspositie
J-3	Bovenste bedieningspositie
J-4	Middelste bedieningspositie
J-5	Onderste bedieningspositie

BEVESTIGEN/VERWIJDEREN VAN DE OPVANGZAK/ MULCH-INVOER

⚠ WAARSCHUWING: Voer op geen enkel moment aanpassingen uit aan de grasmaaier zolang de motor niet is uitgeschakeld, de veiligheidsleutel is verwijderd en het blad is gestopt met draaien.

OPMERKING: Bevestig één van de toebehoren aan de grasmaaier alvorens te maaien.

Bevestigen/verwijderen van de opvangzak (afb. K)

Stel het handvat op een geschikte bedieningspositie in. Til de achterklep omhoog en haak de gaszak in op de draaistang. Til de opvangzak op, van de draaistang, om hem te verwijderen. Tenslotte maakt u de achterklep weer los.

OPMERKING: Verwijder de reeds geïnstalleerde mulch-inzet uit de grasmaaier voordat u de gaszak bevestigt aan de grasmaaier.

■ Bevestigen/verwijderen van de mulch-invoer (afb. L)

Til de achterklep omhoog en plaats de mulch-invoer in de grasmaaier. Om te verwijderen trekt u hem eruit. Tenslotte maakt u de achterklep weer los.

NL

■ Om de zijkoker te bevestigen/verwijderen (afb. M)

Til de zijklep omhoog. Breng de sleuf van de zijkoker in overeenstemming met de knop van de zijklep en laat de zijkoker langzaam los zodat hij om de draaistang beweegt totdat hij stevig op de zijkoker blijft zitten. Om hem te verwijderen, tilt u de zijklep omhoog, tilt u de zijkoker op, van de montageknop van de deur.

Afb. M beschrijving van de onderdelen zie beneden:

M-1	Zijklep
M-2	Montageknop
M-3	Montagesleuf
M-4	Zijkoker
M-5	Spil

OPMERKING: De mulch-inzet moet geïnstalleerd zijn als de zijkoker is bevestigd.

AANPASSEN VAN DE MAAIHOOGTE (afb. N)

WAARSCHUWING: Houd uw voeten uit de buurt van de messen terwijl u de hoogte instelt. De grasmaaier kan in 6 verschillende hoogtes tussen 25mm en 95mm worden ingesteld. Kies de juiste maaihogte aan de hand van het soort gras en de toestand ervan.

OPMERKING: Als u het gereedschap beweegt, dient u ervoor te zorgen dat de maaihogte op 3 of hoger is ingesteld. Mocht u dit niet doen, kan dit resulteren in beschadiging van de messen.

HET ACCUPACK INSTALLEREN/VERWIJDEREN (afb. O)

Gebruik alleen met in afb. A vermelde accupacks en opladers.

VOOR DE EERSTE INGEBRUIKNAME OPLADEN.

WAARSCHUWING: Als er onderdelen ontbreken of defect zijn, mag u niet proberen het accupack aan de grasmaaier te bevestigen of de grasmaaier in gebruik te nemen totdat de defecte of ontbrekende onderdelen zijn vervangen. Anders kan dit leiden tot ernstig letsel.

■ Bevestigen

Druk het accupack in het accupackvak totdat u een "klik" hoort.

■ Verwijderen

Druk op de ontgrendelingsknop in het accupackvak.

Afb. O beschrijving van de onderdelen zie beneden:

O-1	Veiligheidssleutel sleuf
O-2	Veiligheidssleutel
O-3	Accuvrijgaveknop

OPMERKING: Zorg dat de vergrendeling op de grasmaaier op zijn plaats klikt en het accupack stevig aan het grasmaaier is vastgemaakt voordat u begint te maaien.

STARTEN/STOPPEN VAN DE GRASMAAIER

WAARSCHUWING: De werking van elke grasmaaier kan leiden tot het rondslingeren van vreemde objecten die in uw of andermans ogen kunnen terechtkomen. Dit kan leiden tot ernstig oogletsel. Draag altijd een veiligheidsbril tijdens het bedienen van de grasmaaier of tijdens het uitvoeren van eventuele aanpassingen of reparaties.

WAARSCHUWING: Zorg dat andere personen en huisdieren zich op minstens 30 meter van de grasmaaier bevinden wanneer u hem gebruikt.

WAARSCHUWING: Het mes roteert nog enkele seconden nadat de grasmaaier is uitgeschakeld. Laat de motor/het mes eerst tot rust komen voordat u hem weer start. Start en stop de grasmaaier niet te vaak vlak achter elkaar.

VEILIGHEIDSSLEUTEL

Om het per ongeluk starten of het ongeautoriseerd gebruik van uw accu grasmaaier te voorkomen, behoort een verwijderbare veiligheidssleutel tot de omvang van uw grasmaaier. De grasmaaier is compleet uitgeschakeld als de veiligheidssleutel wordt verwijderd uit de grasmaaier.

GEVAAR: Draaiende messen kunnen ernstig letsel veroorzaken. Om ernstig letsel te voorkomen dient u de veiligheidssleutel uit de grasmaaier te verwijderen als deze onbeheerd is. Dit geldt ook als u de grasmaaier instelt, reinigt, onderhoudt, transporteert, optilt of opbergt.

OPMERKING: De motor kan niet worden gestart zenzij:

- Het handvat is vergrendeld in één van de bedieningsposities
- De zijgeleiding is geheel uitgetrokken (afb. P).
- Beide groene handvat-vergrendelklemmen zijn veilig gesloten (afb. Q).

Q-1	indicatie lijn
-----	----------------

OPGELET: Probeer niet de werking van de veiligheidsknop en veiligheidsschakelaar te overbruggen.

Starten

- 1) Bevestig het accupack aan de grasmaaier, steek de veiligheidssleutel in de sleutelsleuf en sluit het batterijvakdeksel (afb. O).
- 2) Zoals weergegeven op afb. R drukt u de veiligheidsknop naar beneden.
- 3) Met de veiligheidsknop gedrukt, trekt u de

veiligheidsschakelaar naar boven richting het handvat en laat u de veiligheidsknop los. (afb. S)

Stoppen

- 1) Laat de veiligheidsschakelaar los.
- 2) De elektrische rem in de automatische remmechanisme zal de mesrotatie binnen 3 seconden nadat de veiligheidsschakelaar werd losgelaten stoppen.

VARIABLE SNELHEID VOOR HET ZELFAANGEDREVEN SYSTEEM

LM2020E-SP grasmaaier is voorzien van een zelfaangedreven systeem met variabele snelheid. Het systeem is onafhankelijk van de aan/uit-schakelaar van het mes; het is niet afhankelijk van rotatie van het mes.

Om het systeem zonder rotatie van het mes te gebruiken, trekt u de schakelaar voor het zelfaangedreven systeem naar het handvat.

Om het zelfaangedreven systeem uit te schakelen, laat u de schakelaar voor het zelfaangedreven systeem los.

Het systeem heeft een variabele snelheid. Om de snelheid te verhogen, beweegt u de bedienhendel voor het zelfaangedreven systeem naar voren. Om de snelheid te verlagen, beweegt u de bedienhendel voor het zelfaangedreven systeem naar achteren (afb. T).

Gebruiken met het roterende mes voor het maaien:

1. Start de grasmaaier.
2. Terwijl u de veiligheidsschakelaar met de linkerhand tegen het handvat houdt, trekt u de schakelaar voor het zelfaangedreven systeem met de rechterhand naar het handvat.
3. Houd zowel de veiligheidsschakelaar en de schakelaar voor het zelfaangedreven systeem tegelijkertijd tegen het handvat met uw rechterhand en gebruik uw linkerhand om het zelfaangedreven systeem snelheidsbediening aan te passen voor de juiste snelheid.

⚠ WAARSCHUWING: Om het risico op letsel te reduceren, mag u nooit proberen de werking van de schakelaar of het zelfaangedreven systeem te overbruggen. Gebruik het zelfaangedreven systeem alleen voor het beoogde gebruikdoeleinde.

LED WERKLAMPEN OP DE GRASMAAIER (afb. A-13)

Druk de schakelaar (afb. C-22) aan de voorkant van het accuvak om de LED-werklampen aan-/uit te schakelen.

INDICATIELAMPJE OP DE GRASMAAIER (afb. U)

De grasmaaier is voorzien van een indicatielampje dat de laadtoestand van het accupack en de werkstatus

van de grasmaaier aangeeft. De stroomindicator begint te branden zodra de messen roteren of als de LED werklampen zijn ingeschakeld.

Indicatielampje op de grasmaaier	Betekenis	Actie
Groen brandend	De grasmaaier werkt correct; accu heeft tenminste nog 15% van zijn lading	N.v.t.
Rood brandend	Accustand is laag	Stop de grasmaaier en laad het accupack op
Rood knipperend	De accu is bijna leeg	Stop de grasmaaier en laad het accupack op
Oranje brandend	De grasmaaier of het accupack is oververhit	Verwijder de accu uit de grasmaaier, zet hem in de schaduw en laat hem tenminste 15 minuten lang afkoelen
Oranje knipperend	De grasmaaier is overbelast	Beweeg u langzamer of verhoog de hoogte om de belasting te verlagen

NL

OVERBELASTINGSBEVEILIGING VAN DE GRASMAAIER

Om overbelasting te voorkomen, dient u niet te veel gras in één keer te maaien. Loop langzamer of verhoog de maaihoogte.

Uw grasmaaier heeft een ingebouwde overbelastingsbeveiliging. Als de grasmaaier overbelast is, gaat de motor uit en knippert het indicatielampje van de grasmaaier oranje. Haal het accupack uit de grasmaaier. Controleer of zich gras onder de grasmaaier heeft verzameld. Het kan nodig zijn, het te verwijderen en de accu weer te plaatsen en vervolgens de grasmaaier

weer te starten.

ACCUBEVEILIGING TEGEN HOGE TEMPERATUREN

Het accupack produceert warmte tijdens het gebruik. De warmte verdwijnt langzamer bij warm weer. Als de accutemperatuur boven 70°C stijgt, zal de beveiliging de grasmaaier direct uitschakelen om het accupack te beschermen tegen schade. De stroomindicator op de grasmaaier zal oranje branden. Laat de veiligheidsschakelaar los, wacht totdat het accupack afkoelt op ongeveer 67°C, waarna u de grasmaaier opnieuw kunt starten.

NL

ONDERHOUD

⚠ WAARSCHUWING: Om ernstig persoonlijk letsel te voorkomen, dient u altijd de veiligheidssleutel en het accupack uit de grasmaaier te halen voor reiniging of onderhoud.

⚠ WAARSCHUWING: Bij reparatie, gebruik uitsluitend identieke reserve-onderdelen. Het gebruik van andere onderdelen kan gevaar opleveren of schade aan het product veroorzaken. Om een continue veiligheid en betrouwbaarheid te waarborgen, dienen alle reparaties en vervangingen van onderdelen uitgevoerd te worden door een vakbekwame reparateur.

DE GRASMAAIER SCHOONMAKEN

⚠ WAARSCHUWING: Verwijder altijd de veiligheidssleutel en het accupack tijdens onderhoud of transport van de grasmaaier.

De onderkant van de afdekking van de grasmaaier dient na elk gebruik te worden gereinigd aangezien gras, bladeren, verontreinigingen of andere rommel zich hier ophoopt. Deze ophoping is ongewenst aangezien het roest en corrosie van metalen onderdelen en een verslechtering van het maieresultaat veroorzaakt.

Verwijder eventuele ophoping van gras en bladeren rond de aandrijfas (alleen LM2020E-SP) en de motorventilator (gebruik geen water). Maak de grasmaaier schoon met een vochtige doek.

VERWIJDEREN/INSTALLEREN VAN HET MES

⚠ WAARSCHUWING: Bescherm altijd uw handen door handschoenen te dragen of door de snijvlakken met doeken of andere materialen in te wikkelen voordat u onderhoud aan de messen van de grasmaaier uitvoert.

Het mes verwijderen(afb. W).

OPMERKING: Als de bout met de motoras meedraait terwijl u hem los wilt draaien, draait u de ventilator met de hand naar de positie waar de gaten van de ventilator en het mes overeen komen en plaatst u een metalen stang in de uitgelijnde gaten

■ Het mes installeren

Volg voor de montage de volgorde in afb. V, met het ventilatorblad naar de afdekking en het mes richting de buitenkant, lijn de gaten van de ventilator uit met de gaten van het mes (afb. X) en maak vervolgens het mes vast zoals getoond in afb. X.

Afb. V & W beschrijving van de onderdelen zie beneden:

V-1	Ventilator	V-5	Bout
V-2	Binnenflens	W-1	Stabilisator 1
V-3	Mes	W-2	Stabilisator 2
V-4	Buitenflens	W-3	14mm inbussleutel

OPMERKING: Het aanbevolen moment voor het aanhalen van de bout van het mes is 49-59Nm.

DE GRASMAAIER OPBERGEN

- Verwijder het accupack uit de grasmaaier en bewaar het op een koele, droge en schone plek. Bewaar hem niet naast corrosieve stoffen, zoals kunstmest of zout.
- Bewaar de grasmaaier op een afgedekte, gesloten plek, waar het koel en droog is en die zich buiten het bereik van kinderen bevindt.
- Dek de grasmaaier niet af met een stevig plastic zeil. Plastic afdekkingen laten vocht rondom de grasmaaier niet ontsnappen, waardoor roest en corrosie kunnen ontstaan.
- De grasmaaier kan rechtop staand of plat worden opgeborgen (afb. Z).

⚠ WAARSCHUWING: Als de grasmaaier begint te kantelen vanuit de rechtopstaande positie, kan dit leiden tot schade of persoonlijk letsel. Houd de grasmaaier altijd stabiel en buiten het bereik van kinderen als deze rechtop staat. Indien mogelijk dient u hem neer te leggen tijdens het opbergen.

Het milieu beschermen



Gooi geen elektrische apparaten, acculaders en accu's/oplaadbare batterijen met het huisafval weg!

Elektrische en elektronische apparaten, in overeenstemming met de Europese wet 2012/19/EG, en defecte of verbruikte accupacks/batterijen, in overeenstemming met 2006/66/EG, moeten afzonderlijk worden ingezameld.

Als elektrische apparaten op een stortterrein of vuilnisbelt terechtkomen, kunnen gevaarlijke stoffen in het grondwater lekken en in de voedselketen komen wat schadelijk is voor uw gezondheid en welzijn.

NL

PROBLEEMOPLOSSING

⚠ WAARSCHUWING: Verwijder altijd de veiligheidssleutel en het accupack tijdens onderhoud of transport van de grasmaaier. Bescherm altijd uw handen door handschoenen te dragen of door de snijvlakken met doeken of andere materialen in te wikkelen voordat u onderhoud aan de messen van de grasmaaier uitvoert.

NL

PROBLEEM	OORZAAK	OPLOSSING
De grasmaaier start niet	<ul style="list-style-type: none"> ■ Het accupack is uitgeput. ■ Het accupack is niet op zijn plek in het batterijvak gemonteerd. ■ De accu is niet op de grasmaaier aangesloten. ■ De accu of de grasmaaier is te warm. (De stroomindicator op de grasmaaier brandt gedurende 10 seconden oranje) ■ De zijgeleiders zijn niet uitgetrokken tot de maximale lengte en de klemmen zijn niet vergrendeld. ■ Het handvat bevindt zich niet in één van de beide bedieningsposities. 	<ul style="list-style-type: none"> ■ Laad het accupack op. ■ Bevestig het accupack aan de grasmaaier totdat u een klik hoort. ■ Laat het accupack of de grasmaaier afkoelen totdat de temperatuur lager dan 67°C is. ■ Trek het handvat volledig uit en vergrendel beide klemmen. ■ Stel het handvat in één van beide bedieningsposities in. ■ Reinig de afdekking van de grasmaaier en controleer of het mes vrij kan bewegen.
De grasmaaier maait ongelijk	<ul style="list-style-type: none"> ■ Het mes is bot. ■ De maaihoogte is niet goed ingesteld. ■ Het mes is niet goed gemonteerd. 	<ul style="list-style-type: none"> ■ Slijp of vervang het mes. ■ Stel een hogere maaihoogte in. ■ Monteer het mes weer. Volg hierbij de instructies in de paragraaf "INSTALLATIE VAN HET MES" in deze gebruikershandleiding.
De grasmaaier stopt tijdens het maaien	<ul style="list-style-type: none"> ■ Het accupack is uitgeput. ■ De grasmaaier is overbelast. ■ De afdekking van de grasmaaier is verstopt door gras en vuil. ■ De accu of de grasmaaier is te warm. (De stroomindicator op de grasmaaier brandt gedurende 10 seconden oranje.) ■ De zijgeleider is een beetje ingetrokken door de kracht die op het handvat wordt uitgeoefend. 	<ul style="list-style-type: none"> ■ Laad het accupack op. ■ Verhoog de maaihoogte of maai langzamer. ■ Reinig de afdekking van de grasmaaier. Verhoog de maaihoogte of maai in smalle banen. ■ Laat het accupack of de grasmaaier afkoelen totdat de temperatuur lager dan 67°C is. ■ Maak de klemmen los. Trek de zijgeleiders helemaal uit en vergrendel de klemmen weer.

PROBLEEM	OORZAAK	OPLOSSING
De maaier verspreidt het gras niet goed	<ul style="list-style-type: none">■ Nat gemaaid gras blijft aan de onderkant van de afdekking plakken.■ De grasmaaier is zo ingesteld dat hij te veel gras in een keer moet maaien.	<ul style="list-style-type: none">■ Wacht totdat het gras droog is voordat u het maait.■ Stel een hogere maaihoogte in.
Er is sprake van excessieve trillingen	<ul style="list-style-type: none">■ Het mes zit los.■ Het mes is niet in balans.■ Het snijmes is gebogen.■ De motoras is verbogen.	<ul style="list-style-type: none">■ Draai de bouten van het mes vast.■ Balanceer het mes volgens de instructies uit.■ Vervang het mes.■ Neem contact op met het service center.
De vergrendelingsklemmen van het handvat zijn niet in hun positie vergrendeld.	<ul style="list-style-type: none">■ De zijgeleiding is niet volledig uitgetrokken.	<ul style="list-style-type: none">■ Trek de zijgeleiders helemaal uit en vergrendel de klemmen weer.

GARANTIE

EGO GARANTIEBELEID

Bezoek alstublieft de website egopowerplus.com voor de volledige voorwaarden van het EGO garantiebeleid.

LÆS ALLE ANVISNINGER!



LÆS BRUGANVISNING

⚠ ADVARSEL: For at sikre sikkerhed og pålidelighed, bør alle reparationer og udskiftninger udføres af en kvalificeret servicetekniker.

Anvendelsesformål og forudseelig misbrug:

Produktet er kun beregnet til at slå græs i almindelige haver. Den må ikke bruges til at klippe usædvanligt højt, tørt eller vådt græs, som fx græsgange, eller til at skære blade i stykker. Produktet må kun bruges til dets tilsigtede formål. Al anden brug anses for at være misbrug.

DK

SIKKERHEDSSYMBOLER

Formålet med sikkerhedssymboler er at gøre dig opmærksom på mulige farer. Du bør være meget opmærksom på sikkerhedssymbolerne og forklaringer til dem og lære at forstå dem. Symboladvarsler fjerner ikke i sig selv eventuelle farer. Anvisningerne og advarslerne er ingen erstatning for korrekte forebyggelsesforanstaltninger mod ulykker.

⚠ ADVARSEL: Sørg for at læse og forstå alle sikkerhedsanvisninger i denne brugsanvisning, inklusive alle sikkerhedssymboler, såsom **"FARE"**, **"ADVARSEL"** og **"FORSIGTIG"**, før du bruger dette værktøj. Hvis du ikke følger advarsler og anvisninger, kan det resultere i elektrisk stød, brand og/eller alvorlig personskade.

SYMBOLBETYDNING

SYMBOL FOR SIKKERHEDSVARSEL: Angiver **FARE**, **ADVARSEL** eller **FORSIGTIG**. Kan anvendes i kombination med andre symboler eller piktogrammer.

⚠ ADVARSEL: Brugen af et elværktøj kan resultere i, at du får fremmedlegemer i øjnene, hvilket kan give alvorlige øjenskader. Inden du begynder at bruge et elværktøj, skal du altid bære beskyttelsesbriller eller sikkerhedsbriller med sidebeskyttelse og om nødvendigt en fuld ansigtsmaske. Vi anbefaler en maske med bredt udsyn til brug over briller eller standardsikkerhedsbriller med sidebeskyttelse.

SIKKERHEDSINSTRUKTIONER

Denne side viser og beskriver sikkerhedssymbolerne, som kan være på dette produkt. Læs, forstå og følg alle instruktioner på maskinen, inden den samles og bruges.

	Sikkerheds- advarsel	Forholdsregler, der involverer din sikkerhed.
	Læs bruge- vejledningen	For at reducere risikoen for skade, skal brugeren læse og forstå brugervejledningen, inden dette produkt tages i brug.
	Pas på den skarpe klinge.	Klingen drejer fortsat rundt, når motoren slukkes – den afbrydende enhed skal afbrydes, inden nogen form for vedligeholdelsesarbejde udføres. Sluk apparatet og tag batteripakken ud (eller den afbrydende enhed), inden apparatet justeres eller rengøres.
	Hold andre personer væk fra maskinen	Sørg for at andre personer og kæledyr er mindst 30 meter væk fra maskinen, når den er i brug.
	Hold fødderne og hånden væk	Hold fødderne og hånden væk
	CE	Dette produkt er i overensstemmelse med gældende EU-direktiver.
	UKCA	Dette produkt overholder gældende britisk lovgivning.
	WEEE	Affald fra elektriske produkter bør ikke bortskaffes sammen med husholdningsaffald. Bring det til en godkendt genbrugsplads.
	Støj	Garanteret lydniveau. Støjemission til miljøet opfylder EF-direktivet.
	IP-symbol	Beskyttelse mod indtrængen af vand grad 4
	Volt	Spænding
	Ampere	Strøm
	Hz	Frekvens (cyklusser i sekundet)
	Watt	Strømledende
	Minutter	Tid
	Vekselstrøm	Strømart

	Jævnstrøm	Strømart eller strømegenskab
n_0	Hastighed ude belastning	Drejehastighed uden belastning
.../min	i minuttet	Omdrejninger i minutter

GENERELLE SIKKERHEDSADVARSLER OM ELEKTRISKE APPARATER

⚠ ADVARSEL: LÆS ALLE SIKKERHEDSADVARSLER, ANVISNINGER, ILLUSTRATIONER OG SPECIFIKATIONER, DER FØLGER MED DETTE ELVÆRKTØJ. Hvis

anvisningerne nedenfor ikke følges, kan det føre til elektrisk stød, brand og/eller alvorlig personskade

GEM ALLE ADVARSLER OG INSTRUKTIONER TIL FREMTIDIG REFERENCE.

Udtrykket "elværktøj" i advarselerne henviser til eldrevet (ledningsforbundet) og batteridrevet (ledningsfrit) elværktøj.

SIKKERHED PÅ ARBEJDSPLADSEN

- **Sørg for, at arbejdsområdet er rent og godt belyst.** Et rodet eller mørkt område kan føre til ulykker.
- **Brug ikke elværktøj i eksplosive atmosfærer, såsom ved tilstedeværelse af brændbare væsker, gasser eller støv.** Elværktøj kan slå gnister og antænde støv og dampe.
- **Hold børn og tilskuere på afstand, når et elværktøj er i brug.** Distraktioner kan medføre, at du mister kontrollen.

SIKKERHED OMKRING ELEKTRICITET

- **Stikket på elværktøjet skal passe i stikkontakten. Stikket må på ingen måde ændres. Jordforbundet elværktøj må ikke bruges med et adapterstik.** Når der ikke ændres på stikket og det passer i stikkontakten, reduceres risikoen for elektrisk stød
- **Undgå kropskontakt med jordforbundne overflader, såsom rør, radiatorer, komfurer og køleskabe.** Der er øget risiko for elektrisk stød, hvis din krop er jordforbundet.
- **Elværktøj må ikke udsættes for regn eller våde forhold.** Vand kommer ind et elværktøj øger risikoen for elektrisk stød.
- **Ledningen må ikke mishandles. Brug aldrig ledningen til at bære eller trække elværktøjet eller til at trække stikket ud af stikkontakten. Hold ledningen væk fra varme, olie, skarpe kanter og bevægelige dele.** Beskadede eller sammenfildrede ledninger, øger risikoen for elektrisk stød.

- **Når et elværktøj bruges udendørs, skal der bruges en forlængerledning, der er egnet til udendørs brug.** Brug af en egnet ledning til udendørs brug, reducerer risikoen for elektrisk stød.
- **Hvis det ikke kan undgås at benytte apparatet i fugtige omgivelser, så brug et stik med fejlstrømsrelæ.** Anvendelse af et fejlstrømsrelæ mindsker risikoen for elektrisk stød.

PERSONLIG SIKKERHED

- **Vær forsigtig, hold øje med hvad du laver, og brug din sunde fornuft, når du bruger et elværktøj. Brug ikke apparatet, hvis du er træt eller er påvirket af narkotika, alkohol eller medicin.** Et øjeblikks uopmærksomhed, kan føre til alvorlige personskader.
- **Brug personligt beskyttelsesudstyr. Brug altid beskyttelsesbriller.** Værnemidler, såsom støvmaske, skridsikre sikkerhedssko, hjelm eller høreværn, der anvendes under passende betingelser, nedsætter risikoen for personskade.
- **Forhindre utilsigtet start. Sørg for, at tænd/sluk-knappen er slukket, inden apparatet sluttes til strømkilden eller batteripakken, samt inden det løftes op eller bæres rundt.** Hvis elværktøjet bæres med fingeren på kontakten, eller oplades med tænd/sluk-knappen tændt, øger det risikoen for ulykker.
- **Fjern indstillingsværktøj eller skruenøgler, før elværktøjet startes.** En skruenøgle eller en nøgle sidder i en roterende del af elektrisk værktøj, kan resultere i personskade.
- **Undgå at række for langt frem. Sørg altid for at stå ordentligt fast og i god balance.** Dette giver bedre kontrol af det elektriske værktøj når uventede situationer.
- **Kjole ordentligt. Brug ikke løstsiddende tøj eller smykker. Hold dit hår, tøj og handsker fra bevægelige dele.** Løse tøj, smykker eller langt hår kan blive fanget i bevægelige dele.
- **Hvis der monteres tilbehør til opsamling af støv eller andet, skal det sikres, at disse monteres og bruges korrekt.** Anvendelse af støvanordninger kan mindske støvrelaterede risici.
- **Selvom du ofte bruger og har et godt kendskab til værktøjet, må du ikke være overmodig eller glemme sikkerhedsprincipperne.** En uagtsom handling kan forårsage alvorlig skade i en brøkdæl af sekund

DK

BRUG OG PLEJE AF ELVÆRKTØJET

- **Elværktøjet må ikke tvinges under brug. Brug den korrekte elværktøj til din ansøgning.** Det korrekte elværktøj gør arbejdet bedre og mere sikkert, da det er beregnet til formålet.
- **Brug ikke elværktøjet, hvis kontakten ikke kan tænde og slukke.** Alt elværktøj, hvor kontakterne ikke dur, er farligt og skal repareres.
- **Træk stikket til apparatets strømforsyning ud af stikkontakten og/eller fjern batteripakken, inden du foretager justeringer, skifter tilbehør eller lægger elværktøjet til opbevaring.** Sådanne forebyggende sikkerhedsforanstaltninger mindsker risikoen for at starte elværktøjet utilsigtet.
- **Opbevar ubenyttet elværktøj utilgængeligt for børn, og tillad ikke personer, der ikke kender elværktøjet eller disse anvisninger, at benytte elværktøjet.** Elværktøj er farligt i hænderne på brugere, der ikke kender dets rette brug.
- **Vedligehold elværktøj og tilbehør. Kontroller, at de bevægelige dele ikke er fejljusterede eller binder eller er i en tilstand, der kan påvirke elværktøjets drift. Få beskadigede elværktøjet repareret før brug.** Mange ulykker er forårsaget af dårligt vedligeholdt elværktøj.
- **Hold skæreværktøj skarpe og rene.** Skæreværktøjer med skarpe kanter, der vedligeholdes ordentligt, er mindre tilbøjelige til at binde og er lettere at styre.
- **Elværktøjet, tilbehør og bits osv. skal bruges i overensstemmelse med disse instruktioner, hvor arbejdsforholdene og arbejdet, der skal udføres, skal tages i betragtning.** Anvendelse af elværktøj til andre formål end dem, de er beregnet til, kan medføre en farlig situation.
- **Hold håndtag og gribeblader tørre, rene og fri for olie og fedt.** Glatte håndtag og overflader, der griber fat, kan medføre usikker håndtering og/eller tab af kontrollen over værktøjet.

BATTERIVÆRKTØJETS BRUG OG PLEJE

- **Genoplad kun med opladeren er angivet af fabrikanten.** Hvis en oplader, der er egnet til én slags batteri, bruges med en anden slags batteri, kan det føre til brand.
- **Anvend kun elektrisk værktøj med særligt udpegede batteripakker.** Brug af andre batterier kan skabe risiko for personskade og brand.
- **Når batteripakken ikke er i brug, skal den holdes væk fra andre metalgenstande som papirclips,**

mønter, nøgler, søm, skruer eller andre små metalgenstande, der kan skabe forbindelse fra en pol til en anden. Shorting batteripolerne sammen kan forårsage forbrændinger eller brand.

- **Ved forkert anvendelse kan der slippe væske ud af batteriet: Undgå kontakt.** Hvis det alligevel skulle ske, skylles med vand. Hvis væsken kommer i øjnene, skal man også søge læge. Væske fra batteriet kan forårsage irritation eller forbrændinger.
- **Anvend ikke et batteri eller et værktøj, der er beskadiget eller modificeret.** Beskadigede eller modificerede batterier kan opføre sig uforudsigeligt og forårsage brand, eksplosion eller risiko for personskade.
- **Udsæt ikke et batteri eller et værktøj for ild eller for høj temperatur.** Udsættelse for ild eller temperaturer over 130°C kan forårsage eksplosion.
- **Følg alle anvisninger vedrørende opladning, og oplad ikke batteriet eller værktøjet uden for temperaturområdet angivet i anvisningerne.** Forkert opladning eller temperaturer uden for det angivne område kan beskadige batteriet og øge risikoen for brand.

SERVICE

- **Har Elektrisk værktøj skal serviceres af en kvalificeret reparatør kun bruger originale reservedele.** På denne måde sikrer man, at elværktøjet forbliver sikkert at bruge.
- **Udfør aldrig selv service på beskadigede batterier.** Service på batterier bør kun udføres af producenten eller godkendte servicecentre.

SIKKERHEDSREGLER FOR DEN LEDNINGSFRI PLÆNEKLIPPER

FARE: Denne maskine er fremstillet i henhold til reglerne for sikker drift, som står i denne vejledning. Som med alle kraftige maskiner, kan skødesløshed eller fejlbetjening af brugeren føre til alvorlige skader. Denne maskine kan skade hænder og fødder, og udstøde genstande. Manglende overholdelse af samtlige sikkerhedsinstrukser, kan føre til alvorlige skader eller dødsfald.

ADVARSEL: Når du bruger trådløse plæneklippere, skal de grundlæggende sikkerhedsforanstaltninger altid følges, så risikoen for brand, elektrisk stød og personskader reduceres.

VIGTIG

LÆS OMHYGGELEGT FØR BRUG. BEHOLD DISSE OPLYSNINGER TIL SENERE REFERENCE.

**SIKKERHEDSREGLER FOR TRÅDLØSE PLÆNEKLIPPERE:
FORSIGTIG! RØR IKKE DE DREJENDE KLINGER!**

UNDERVISNING

- Læs vejledningen omhyggeligt. Bliv fortrolig med alle knapper og håndtag og den korrekte brug af apparatet.
- Børn må ikke bruge apparatet. Og lad aldrig personer, der ikke er bekendt med disse instruktioner bruge apparatet. Lokale forskrifter kan sætte aldersgrænser for en operatør.
- Plæneklipperen må ikke bruges, hvis der er børn eller kæledyr i nærheden.
- Brugeren er ansvarlig for eventuelle ulykker eller farer for andre personer eller deres ejendom.

FORBEREDELSE

- Når plæneklipperen bruges, skal brugeren altid bære passende fodtøj og langbukser.
- Apparatet må ikke bruges med bare fødder eller med åbne sandaler på. Undgå at bære løstsiddende tøj, eller tøj med hængende snore eller bånd.
- Undersøg området, hvor græsset skal slås, og fjern evt. sten, pinde, ledninger, knogler og andre fremmedlegemer.
- Inden apparatet tages i brug, skal klingene, klingeboltene og klingsamlingen ses efter for slidt og skader. Nedslidte eller beskadigede klinger og bolte skal skiftes på samme tid, så balancen opretholdes. Beskadigede eller ulæselige etiketter skal skiftes.

BETJENING

- Klip kun i dagslys eller godt kunstigt lys.
- Undgå, at bruge plæneklipperen på vådt græs, hvis muligt.
- Sørg for, at du har et ordentligt fodfæste på skråninger.
- Gå, undgå at løbe.
- Hvis du bruger en plæneklipper med hjul på skråninger, skal du køre langs skrånningen, og ikke op og ned ad skrånningen.
- Vær forsigtig, når du vender plæneklipperen om på en skrånning.
- Klip ikke på for stejle skråninger.
- Vær meget forsigtig, hvis du kører baglæns eller trækker apparatet mod dig.
- Stop plæneklipperen, hvis den skal vippes for at kører

over andre overflader end græs, og når den flyttes til og fra området, der skal klippes.

- Plæneklipperen må aldrig bruges uden at beskyttelseskærmene eller sikkerhedsudstyret, som fx afbøjningsplader og/eller græsfangere, er sat på apparatet.
 - Tænd for motoren i henhold til instruktionerne, og med fødderne væk fra klingene.
 - Apparatet må ikke vippes, når motoren tændes, medmindre apparatet skal vippes for at kunne starte. I dette tilfælde må apparatet ikke vippes mere end absolut nødvendigt, og løft kun den del, der er væk fra brugeren. Sørg altid for at have begge hænder klar til at styre apparatet, inden apparatet sættes på jorden. Undgå, at starte apparatet, hvis du står foran udstødningen.
 - Dine hænder eller fødder må ikke komme i nærheden af eller under drejende dele. På plæneklippere med klinger, skal du altid holde dig væk fra udstødningen.
 - Undgå altid, at samle en genstand op eller bære en genstand, når motoren kører.
 - Sluk apparatet, og tag batteripakken ud (eller den afbrydende enhed), og sørg for, at alle bevægelige dele er stoppet helt, inden apparatet justeres eller rengøres - gør også dette, hvis:
 - Hvis du forlader maskinen;
 - Før du rydder en blokering eller tager ting ud af udstødningen;
 - Før du kontrollerer, rengør eller arbejder på apparatet
 - Hvis du rammer et fremmedlegeme. Se apparatet efter for skader, og foretag de nødvendige reparationer.
 - Hvis apparatet begynder at vibrere unormalt (kontroller straks):
 - Se maskinen efter for skader;
 - Udskift eller reparér eventuelle beskadigede dele;
 - Sørg for, at alle løse dele strammes.
- ## VEDLIGEHOLDELSE OG OPBEVARING
- Hvis apparatet skal justeres, skal du være forsigtig med ikke at få fingrene i klemme mellem bevægelige klinger og fastsiddende dele.
 - Sørg altid for, at alle møtrikker, bolte og skruer er spændt ordentligt fast, så det er sikkert at bruge apparatet.
 - Se regelmæssigt græsfanger efter for slid og forringelse.
 - Udskift slidte eller beskadigede dele.
 - Rengøring og brugervedligeholdelse må ikke foretages af børn uden opsyn.

DK

- Hvis klingerne skal repareres eller skiftes, skal du være opmærksom på at de stadig kan bevæge sig, selvom apparatet ikke er strømtilsluttet.
- På plæneklippere med klinger, skal du sørge for at klingerne skiftes med den rigtige type.

PERSONLIG SIKKERHED

Der kan opstå ulykker, hvis brugeren ikke er opmærksom på tilstedeværelsen af børn. Børn er ofte tiltrukket af plæneklipperen, når man klipper græs. De forstår ikke faren ved plæneklipperen. Du må aldrig antage, at børn bliver der, hvor du sidst så dem.

DK

- Børn skal holdes ude af græsområdet der skal slås, og de skal være under nøje opsyn af en anden ansvarlig voksen end personen, der slår græsset.
- Vær opmærksom, og sluk apparatet, hvis et barn kommer ind i området.
- Vær meget forsigtig, når man nærmer sig blinde hjørner, døråbninger, buske, træer eller andre forhindringer, hvor du ikke kan se et barn, der kan komme løbende ind i apparatet.
- Børn skal være under opsyn, så du sikrer at de ikke leger med apparatet.
- Apparatet skal altid slukkes, inden batteripakken tages ud. Stop plæneklipperen, hvis den skal vippes for at køre over andre overflader end græs, og når den flyttes til og fra området, der skal klippes.

BETJENING

GENEREL BRUG:

- Læs hele denne brugsvejledning omhyggeligt, inden apparatet samles. Læs, forstå og følg alle instruktioner på apparatet og i vejledningerne, inden apparatet tages i brug. Sørg for at du er helt fortrolig med betjeningsknapperne, og hvordan apparatet bruges korrekt, inden det tages i brug. Behold denne brugsvejledning på et sikkert sted til senere og regelmæssig reference, og til bestilling af reservedele.
- Brug den rigtige apparat – brug ikke plæneklipperen til noget andet, end hvad det er beregnet til.
- Undgå, at række for langt ud – hold ordentligt fodfæste og balance på alle tidspunkter.
- Genstande, der rammes af plæneklipperens klinge, kan føre til alvorlige personskader. Græsplænen skal altid ses nøje efter, og ryddes for alle slags genstande, inden den slås.
- Inden og mens du køre baglæns med plæneklipperen, skal du se bagud og nedad, og holde øje efter små børn og andre personer.
- Dette apparat er ikke et legetøj. Du skal derfor altid være ekstrem forsigtighed. Apparatet er beregnet til at udføre en opgave: At klippe græs. Apparatet må ikke bruges til andre formål.
- Tving ikke plæneklipperen - den udfører jobbet bedre og mere sikkert i den hastighed, som den er designet til.
- Inden apparatet tages i brug, skal klingens, klingeboltene og klingesamlingen ses efter for slidt og skader. Slidte eller beskadigede klinger og bolte, samt andre dele, skal skiftes på samme tid, så balancen bevares. Beskadigede eller ulæselige etiketter skal skiftes.
- Vær meget forsigtig, hvis du kører baglæns eller trækker apparatet mod dig.
- Se grundigt området, hvor apparatet skal bruges, efter. Fjern alle sten, pinde, kabler, legetøj og andre fremmedlegemer, som man kan falde over, eller som klingens ramme og slynge ud. Genstande, der slynges ud af apparatet, kan føre til alvorlige personskader. Planlægge det mønster, som du vil slå græsset i, så græsset ikke udstødes på veje, fortove, personer eller lignende. Undgå også, at græsset udstødes på vægge eller andre genstande, som kan rikoettere græsset og sten tilbage mod brugeren.
- For at undgå kontakt med klingens eller skader fra udstødte genstande, skal brugeren blive bag håndtagene og holde børn, andre personer, hjælpere og kæledyr mindst 30 meter fra apparatet, når det er i brug. Stop apparatet, hvis nogen kommer ind i området.
- Brug altid beskyttelsesbriller når apparatet bruges, samt hvis det skal justeres eller repareres, så dine øjne beskyttes. Udstødte genstande, der rikoetterer kan føre til alvorlige øjenskader. Brug altid en ansigts- eller støvmaske, hvis det støver, når apparatet bruges.
- Brug det rigtige tøj – undgå, at bære løstsiddende tøj eller smykker. De kan komme i klemme i bevægelige dele. Det anbefales at bruge gummihandsker og fodtøj, når du arbejder udendørs. Brug arbejdssko med robuste såler, og tætsiddende bukser og skjorter. Det anbefales at bruge skjorter og bukser, som dækker arme og ben og sikkerhedssko med ståltå. Dette apparat må aldrig bruges i bare fødder, med sandaler eller med glatte eller lette sko (fx af lærredssko).
- Hænder eller fødder må ikke komme i nærheden af drejende dele eller under klippedækket. Kontakt med klingens kan skade hænder og fødder.
- Hvis udstødningstilgængelige mangler eller beskadiges, kan man komme i kontakt med klingens, og skader kan opstå fra udstødte genstande.
- Mange skader opstår ved at brugeren glider eller snubler, hvorefter plæneklipperen kører over fødderne. Hold ikke fast i plæneklipperen, hvis du falder. Slip straks håndtaget.

- Træk aldrig plæneklipperen tilbage mod dig, mens du går. Hvis plæneklipperen skal trækkes væk fra en væg eller en anden genstand, skal du først kikke nedad og bagud, så du ikke snubler, og følg derefter disse trin:
 - Gå tilbage fra plæneklipperen, og stræk armene helt ud.
 - Sørg for, at du er velafbalanceret og har et godt fodfæste.
 - Træk plæneklipperen langsomt tilbage, men højst halvejs mod dig selv.
 - Gentag disse trin efter behov.
- Plæneklipperen må ikke bruges, hvis du er under indflydelse af alkohol eller narkotika.
- Vær opmærksom – hold øje med, hvad du laver. Brug din sunde fornuft. Undgå, at bruge plæneklipperen, hvis du er træt.
- Styrehåndtaget til motoren/klingen en sikkerhedsenhed. Apparatet skal altid bruges med styrehåndtaget. Hvis dette ikke gøres, kan du miste herredømmet over apparatet, som kan føre til personskader ved kontakt med klingen. Styrehåndtaget til motoren/klingen skal kunne køre let i begge retninger, og det skal automatisk gå tilbage til den åbne indstilling, når det udløses.
- Undgå farlige miljøer – plæneklipperen må ikke bruges på fugtige eller våde steder.
- Apparatet må ikke bruges i regn.
- Sørg altid for at have et godt fodfæste. Hvis du glider og falder, kan det føre til alvorlige personskader. Hvis du er ved at miste dit fodfæste, skal du straks slippe styrehåndtaget, hvorefter klingen stopper efter 3 sekunder.
- Stop klingen, inden du kører apparatet over grus, fortove og veje.
- Hvis apparatet begynder at vibrere unormalt, skal du straks stoppe motoren og finde årsagen til vibrationen. Hvis apparatet begynder at vibrere, betyder det sandsynligvis at der er opstået et problem.
 - Se maskinen efter for skader;
 - Udskift eller reparér eventuelle beskadigede dele;
 - Sørg for, at alle løse dele strammes.
 - Brug aldrig plæneklipperen uden den rigtige bagskærm, udstødningsdæksel, græspose, tildækningsindsats, sideudstødningen, motor/klinge-håndtag eller uden at andre beskyttelsesanordninger er på plads og virker. Plæneklipperne må aldrig bruges med beskadigede dele. Hvis dette sker, kan det føre til personskader.
- Ved situationer, der ikke er dækket i denne vejledning:

Vær forsigtig, og arbejd med omtanke. Kontakt EGO's kundeservicecenter for at få hjælp.

- Batteripakken skal fjernes fra apparatet, inden det bortskaffes.
- Batteriet skal bortskaffes sikkert.

BRUG PÅ EN SKRÅNING:

Skråninger er en væsentlig faktor i forbindelse med glide- og faldulykker, hvilket kan føre til alvorlige skader. Sørg altid for, at have et godt fodfæste på skråninger. Hvis apparatet bruges på skråninger, bedes du være yderst forsigtig. Hvis du ikke har et ordentligt fodfæste på skråningen, skal du ikke klippe den.

Gør følgende:

- Klip langs en skråning. Klip aldrig op- og nedad. Vær forsigtig, når du vender plæneklipperen om på en skråning.
- Hold øje med huller, riller, klipper, skjulte genstande eller bump, som du kan glide på eller falde over. Genstande og forhindringer kan være skjult i højt græs.

Gør ikke følgende:

- Klip ikke i nærheden af lodrette klippesider, grøfter eller volde, da du kan miste dit fodfæste eller balance.
- Undgå, at klippe skråninger, der er over 15 grader.
- Undgå, at slå vådt græs. Et ustabil fodfæste kan gøre at du glider.

SERVICE

⚠ ADVARSEL: Græsbeholderkomponenterne, udstødningslågen, sideudstødningen, tildækningsindsatsen og bagskærmen udsættes for slid og skader, som med tiden kan udsætte personer for bevægelige dele eller genstande kan udstødes, hvilket kan forøge risikoen for skader. For en sikkerheds skyld, skal alle komponenter regelmæssigt ses efter, og skift straks beskadigede komponenter med identiske reservedele, der er anført i denne vejledning. Kontakt EGO's kundeservice eller dit nærmeste EGO-servicecenter. Reparationer og udskiftninger skal udføres af en kvalificeret servicetekniker!

- Hvis plæneklipperens indbygget overbelastningsbeskyttelse ofte går i gang, bedes du kontakte EGO's kundeservice eller dit nærmeste EGO-servicecenter.
- Plæneklipper må ikke vaskes med en slange. Undgå, at der kommer vand ind i motoren eller de elektriske forbindelser.
- Tag nøglen ud og opbevar plæneklipperen indendørs,

Lydtryk ved brugerens øre L_{PA} K=3 dB(A)	79,5 dB(A)	79,2 dB(A)	
Garanteret lydeffekt L_{WA} (målt i henhold til 2000/14/EC)	93 dB(A)	93 dB(A)	
Vibration a_{hv} K=1,5 m/s ²	Venstre håndtag	≤2,5 m/s ²	≤2,5 m/s ²
	Højre håndtag	≤2,5 m/s ²	≤2,5 m/s ²
Klingebræmse	Ja	Ja	

- Den angivne samlede vibrationsstyrke er blevet målt i overensstemmelse med en standard testmetode, og kan bruges til at sammenligne et apparat med et andet.
- Den angivne samlede vibrationsstyrke kan også bruges i en foreløbig vurdering af eksponeringen.

BEMÆRK: Vibrationsemissionen under den faktiske anvendelse af apparatet, kan afvige fra den angivne værdi fra testen. For at beskytte brugeren, skal denne bruge handsker og høreværn, når apparatet bruges.

DELE I PAKKEN

DELNAVN	ANTAL
Plæneklipper	1
Græsbeholder	1
Ramme til græsbeholderen	1
Tildækningsindsats	1
Sideudstødning	1
Sikkerhedsnøgle	1
Brugsvejledning	1

BESKRIVELSE

GOR DIG BEKENDT MED DIN PLÆNEKLIPPER (billede A & B & C & D & E)

- Koblingsbøjle
- Håndtag
- Sikkerhedsknap
- Håndtag til den selvkørende funktion
- Klemme til håndtag
- Græsbeholder
- Indstillingshåndtag til klippehøjde

- Baghjul
- Låge til sideudkast
- Plæneklipperdæk
- Forlygter
- Dæksel til bundplade
- Forhjul
- Låg til batteripakken
- Bageste håndtag
- Håndtag til hurtig indstilling
- Låge til bagudstødning
- Sidestang
- Håndtag til indstilling af selvkørende hastighed
- Bagskærm
- Tænd/sluk-knap til forlygterne
- Strømindikator
- Knap til frigørelse af batteri
- Nøglehul til sikkerhedsnøgle
- Indsats til bioklip
- Skakt til sideudkast

DK

BETJENING

SÅDAN SAMLES GRÆNBEHOLDEREN

- Tryk græsbeholderen på rammen (billede F).
- Saml de øverste klemmer på rammen (billede G), og samlderefter de to sideklemmer. Sæt bundklemmen på til sidst.
- Den samlede græsbeholder kan ses på billede H.

SÅDAN INDSTILLES DET FOLDBARE HÅNDTAG

⚠ ADVARSEL: Plæneklipperen må ikke startes, før håndtaget er låst fast på en af de tre forudindstillede positioner (ØVRE POSITION, MIDTERSTE POSITION og NEDRE POSITION).

Plæneklipperen leveres med håndtag i kompakt position, dvs. den LÅSTE OPBEVARINGSPPOSITION (billede I).

- Hold hurtigjusteringshåndtaget nede, for at frigive håndtaget fra den LÅSTE OPBEVARINGSPPOSITION.
- Løft håndtaget fra sin foldede position, og slip derefter håndtaget. Drej forsigtigt håndtaget opad, indtil du hører og mærker låsestiften låse sig fast i en af positionerne, som vist på billede J.

Følgende er en beskrivelse af delene på billede J:

J-1	Aflåst opbevaringsposition
J-2	Græsbeholder, tilbehør/ stilling for aftagning
J-3	Øvre betjeningsposition
J-4	Midterste betjeningsposition
J-5	Nedre betjeningsposition

MONTERING/FJERNELSE AF GRÆSBEHOLDEREN/ TILDÆKNINGSINDSATSEN

⚠ ADVARSEL: Plæneklipperen må aldrig justeres på nogen måde, før motoren er blevet stoppet og sikkerhedsnøglen er trukket ud, og før klingene er stoppet helt.

BEMÆRK: Sæt alle nødvendige dele på plæneklipperen, inden den tages i brug.

■ Sådan sættes græsbeholderen på og tages af (billede K)

Indstil håndtaget til den passende betjeningsposition. Løft lågen til bagudstødning, og hæng græsbeholderen på hanken. Græsbeholderen fjernes ved at løfte den op og af hanken. Slip derefter lågen til bagudstødningen.

BEMÆRK: Tag den formonterede tildækningsindsats ud af plæneklipperen, inden græsbeholderen sættes på plæneklipperen.

■ Sådan sættes tildækningsindsatsen på og tages ud (billede L).

Løft lågen til bagudstødningen, og sæt indsatsen i plæneklipperen. Indsatsen tages ud, ved blot at trække i den. Slip derefter lågen til bagudstødningen.

■ Sådan sættes sideudstødning på og tages af (billede M)

Løft lågen til sideudstødningen. Sørg for at lugen på sideudstødningen passer med håndtaget på lågen, og slip forsigtigt lågen så du sikre at den drejer rundt om drejehåndtaget, inden til den hviler på udstødningen. For at fjerne den, skal du løfte lågen til sideudstødningen, og løfte sideudstødningen af samlingshåndtaget på lågen.

Følgende er en beskrivelse af delene på billede M:

M-1	Låge til sideudstødning
M-2	Samlingshåndtag
M-3	Monteringsluger
M-4	Sideudstødning
M-5	Omdrejningspunkt

BEMÆRK: Indsatsen til bioklip skal være monteret, når sideudkastet er monteret.

SÅDAN INDSTILLES KLIPPEHØJDEN (billede N)

116

⚠ ADVARSEL: Hold dine fødder fra dækket, når højden indstilles. Apparatet kan indstilles til 6 klippehøjder, mellem 25 og 95 mm. Vælg den korrekte klippehøjde i henhold til græsset.

BEMÆRK: Når apparatet flyttes, skal du sørge for at klippehøjden er indstillet til 3 eller derover. I modsat fald kan klingene beskadiges.

SÅDAN SÆTTES BATTERIPAKKEN I OG TAGES UD (billede O)

Produktet må kun bruges med batteripakkerne og opladerne, der står på listen i fig. A

BATTERIPAKKEN SKAL OPLADES FØR FØRSTE BRUG.

⚠ ADVARSEL: Hvis nogen af delene beskadiges eller mangler, må batteripakken ikke sættes i plæneklipperen, og plæneklipperen må ikke bruges, før den beskadigede del repareres eller manglende del tilføjes. Hvis dette ikke gøres, kan det føre til alvorlige skader.

■ Sådan sættes batteripakken i

Tryk batteripakken i batterirummet, indtil du kan høre en kliklyd.

■ Sådan tages batteripakken ud

Tryk på udløserknappen til batteripakken inde i batterirummet.

Følgende er en beskrivelse af delene på billede O:

O-1	Nøglehul til sikkerhedsnøgle
O-2	Sikkerhedsnøgle
O-3	Udløser til batteripakken

BEMÆRK: Sørg for at låsen på plæneklipperen låses på plads, og at batteripakken sidder ordentligt fast i plæneklipperen, inden den tages i brug.

SÅDAN STARTES/STOPPES PLÆNEKLIPPEREN

⚠ ADVARSEL: Alle plæneklippere kan ske at udstøde genstande, der kan ramme brugerens eller andres øjne, som kan føre til alvorlige øjenskader. Brug altid beskyttelsesbriller når plæneklipperen bruges, og hvis den skal justeres eller repareres.

⚠ ADVARSEL: Sørg for at andre personer og kæledyr er mindst 30 meter væk fra maskinen, når den er i brug.

⚠ ADVARSEL: Klingene bliver ved med at dreje rundt i et par sekunder efter apparatet slukkes. Lad motoren/klingen standse helt, inden apparatet startes igen. Plæneklipperen må ikke tændes umiddelbart efter den slukkes.

SIKKERHEDSNØGLEN

For at undgå utilsigtet start eller uautoriseret brug af dit trådløse plæneklipper, er den udstyret med en aftagelig sikkerhedsnøgle. Plæneklipperen afbrydes fuldstændigt, når sikkerhedsnøglen tages ud.

FARE: Drejende klinger kan føre til alvorlige skader. For at forhindre alvorlige skader, skal sikkerhedsnøglen tages ud, når plæneklipperen ikke er under opsyn, samt hvis den skal justeres, rengøres, serviceres, transporteres, løftes op eller gemmes væk.

BEMÆRK: Motoren kan ikke startes, medmindre:

- Håndtaget er låst fast i en af driftspositionerne.
- Sidestængerne er trukket helt ud (billede P).
- Begge grønne klemmer på håndtaget er lukket helt (billede Q).

Q-1 indikation linje

FORSIGTIG: Sikkerhedsknappen og koblingsbøjlen skal altid bruges.

Sådan startes plæneklipperen

- 1) Sæt batteripakken i plæneklipperen, stik sikkerhedsnøglen i nøglehullet og luk låget til batteripakken (billede O).
- 2) Jævnfør billede. R: Tryk sikkerhedsknappen ned.
- 3) Med trykfryderen nedtrykket, trækkes koblingsbøjlen opad mod håndtaget. Derefter slippes sikkerhedsknappen (billede S).

Sådan stoppes plæneklipperen

- 1) Slip koblingsbøjlen.
- 2) Den elektriske bremse i den automatiske bremsemekanisme stopper klingens mindst 3 sekunder efter koblingsbøjlen slippes.

SELVKØRENDE SYSTEM MED FORSKELLIGE HASTIGHEDER

LM2020E-SP plæneklipperen er udstyret med en selvkørende funktion, der kan indstilles til forskellige hastigheder. Dette system virker uafhængigt af tænd/sluk-knappen til klingens drejning. Det afhænger ikke af, om klingens drejning stopper.

For betjening af systemet uden knivrotation trækkes udløseren til fremtrækket mod håndtaget.

For at slå den selvkørende funktion fra, skal håndtaget frigives igen.

Systemet har forskellige hastigheder. For at øge hastigheden, skal gashåndtaget til den selvkørende funktion trykkes fremad. For at reducere hastigheden, skal

gashåndtaget til den selvkørende funktion trækkes tilbage (billede T).

Sådan startes klingens drejning, når græsset skal klippes:

1. Start plæneklipperen.
2. Tryk koblingsbøjlen mod håndtaget med venstre hånd, og træk håndtaget til den selvkørende funktion mod håndtaget med højre hånd.
3. Hold både koblingsbøjlen og håndtaget til den selvkørende funktion mod håndtaget med højre hånd, og brug venstre hånd til at indstille gashåndtaget til den selvkørende funktion.

ADVARSEL: For at reducere risikoen for skader, skal enten tænd/sluk-knappen og den selvkørende funktion altid bruges. Den selvkørende funktion må kun bruges til dens tilsigtede formål.

DK

FORLYGTERNE PÅ PLÆNEKLIPPEREN (billede A-13)

Tryk på tænd/sluk-knappen (billede C-22), for at tænde og slukke forlygterne foran batterirummet.

STRØMINDIKATOREN PÅ PLÆNEKLIPPEREN (billede U)

Plæneklipperen er udstyret med en strømindikator, som viser batteripakkens opladningsstatus og plæneklipperens driftsstatus. Strømindikatoren lyser, når klingens drejning stopper, og når forlygterne er tændt.

Strømindikatoren på plæneklipperen	Betydning	Handling
Lyser grøn	Plæneklipperen virker ordentligt. Batteriet har mindst 15% tilbage.	Ikke relevant
Lyser rød	Lavt batteriniveau	Stop plæneklipperen, og oplad batteriet
Blinker rød	Batteriet er næsten brugt op	Stop plæneklipperen, og oplad batteriet
Lyser orange	Plæneklipperen eller batteripakken er overophedet	Tag batteriet ud af plæneklipperen. Stil både plæneklipperen og batteriet i skyggen, og lad den køle ned i mindst 15 minutter

Blinker orange	Plæneklipperen er overbelastet	Kør langsommere med plæneklipperen, og hæv klippehøjden, så den ikke overbelastes.
----------------	--------------------------------	--

BESKYTTELSE MOD OVERBELASTNING

For at forhindre skader på grund af overbelastning, skal du undgå at klippe for meget græs på én gang. Sænk farten eller hæv klippehøjden.

DK

Din plæneklipper har en indbygget beskyttelsesfunktion mod overbelastning af kredsløbet. Hvis plæneklipperen overbelastes, stopper motoren og strømindikatorene på plæneklipperen begynder at blinke orange. Tag batteripakken ud af plæneklipperen. Se om græs har samlet sig sammen under dækket, og fjern det, hvis nødvendigt. Sæt derefter batteripakken i og start plæneklipperen igen.

BESKYTTELSE MOD OVEROPHEDNING AF BATTERIET

Batteripakken danner varme under brug. Varmen forsvinder langsommere i varmt vejr. Hvis batteriets temperatur kommer over 70°C under brug, slukker beskyttelsesfunktionen automatisk plæneklipperen, så batteripakken beskyttes mod skader. Strømindikatorene på plæneklipperen lyser orange. Slip koblingen, vent indtil batteripakken er kølet ned til ca. 67° C og start derefter plæneklipperen igen.

VEDLIGEHOLDELSE:

ADVARSEL: For at undgå alvorlige personskader, skal sikkerhedsnøglen og batteripakken altid tages ud af plæneklipperen, inden den rengøres eller vedligeholdes.

ADVARSEL: Hvis plæneklipperen skal repareres, må der kun bruges originale reservedele. Brug af andre dele kan føre til fare eller produktskader. Af hensyn til sikkerhed og pålidelig drift, skal alle reparationer og udskiftninger udføres af en kvalificeret servicetekniker.

SÅDAN RENGØRES PLÆNEKLIPPEREN

ADVARSEL: Sikkerhedsnøglen og batteripakken skal altid tages ud, hvis plæneklipperen skal repareres eller transporteres et andet sted hen.

Undersiden af plæneklipperdækket skal rengøres efter hver brug, da græs, blade, jord og andet snavs kan samle sig. Denne samling er uønsket, da det kan føre til rust og korrosion på metaldelene, og forringe plæneklipperens klippeeffektivitet.

Fjern eventuelle samlinger af græs og blade på eller omkring drivakslen (kun på LM2020E-SP) og på motorventilatoren (brug ikke vand). Tør plæneklipperen ren med en fugtig klud.

SÅDAN SÆTTES KLINGEN PÅ OG TAGES AF

ADVARSEL: Din hænder skal altid beskyttes med kraftige handsker eller ved at pakke klingens ind i en klud eller anden materiale, hvis klingens skal repareres eller på anden måde vedligeholdes.

■ Sådan tages klingens af (billede W)

BEMÆRK: Hvis boltens drejer med motorakslen, når den løsnes, skal ventilatorbladet drejes med hånden så den passer med hullerne i klingens, og sæt en anden metalstift i de tilfældige huller.

■ Sådan sættes klingens på

Følg samplingsrækkefølgen på billede V, med ventilatorvingen mod dækket og med klingens forhøjning mod ydersiden. Sørg for at hullerne på ventilatorvingen passer med hullerne på klingens (billede X), og spænd derefter klingens fast, som vist på billede X.

Følgende er en beskrivelse af delene på billede V og W:

V-1	Ventilator	V-5	Bolt
V-2	Indre flange	W-1	Stabilisator 1
V-3	Klinge	W-2	Stabilisator 2
V-4	Ydre flange	W-3	14mm skruenøgle

BEMÆRK: Det anbefalede drejningsmoment, når boltens til klingens strammes, er 49-59Nm.

OPBEVARING AF PLÆNEKLIPPEREN

- Tag batteripakken ud af plæneklipperen, og opbevar den på et køligt, tørt og rent sted. Plæneklipperen må ikke opbevares ved siden af ætsende stoffer, såsom gødning og stensalt.
- Plæneklipperen skal opbevares i et overdækket, lukket rum, som er koldt og tørt, og utilgængelig for børn.
- Plæneklipperen må ikke tildækkes af en solid plastiktildækning. En tæt plastiktildækning kan danne fugt omkring plæneklipperen, der forårsager rust og korrosion.
- Plæneklipperen kan opbevares enten på højkant eller almindeligt (billede Z).

⚠ ADVARSEL: Hvis plæneklipperen begynder at vælte, når den står på højkant, kan den beskadiges eller forårsage personskader. Plæneklipperen skal altid holdes stabil og utilgængeligt for børn, når den står på højkant. Læg plæneklipperen ned, når den skal opbevares, hvis muligt.

Beskyttelse af miljøet



Elektrisk udstyr, batterier, opladere og genopladelige batterier må ikke bortskaffes med almindeligt husholdningsaffald!

Ifølge EU-lovene 2012/19/EC og 2006/66/EU, skal elektrisk og elektronisk udstyr, der ikke længere er brugbart, samt defekte og opbrugte batteripakker/batterier, indsamles særskilt.

Hvis elektriske apparater bortskaffes på lossepladser, kan farlige stoffer lække i grundvandet og komme ind i fødekæden, som kan være skadeligt for din sundhed og velvære.

DK

FEJLFINDING

⚠ ADVARSEL: Sikkerhedsnøglen og batteripakken skal altid tages ud, hvis plæneklipperen skal repareres eller transporteres et andet sted hen. Din hænder skal altid beskyttes med kraftige handsker eller ved at pakke klingen ind i en klud eller anden materiale, hvis klingens skal repareres eller på anden måde vedligeholdes.

DK

PROBLEM	ÅRSAG	LØSNING
Plæneklipperen kan ikke starte	<ul style="list-style-type: none"> ■ Batteripakken er løbet tør for strøm. ■ Batteriet er ikke at ordentligt i batterirummet. ■ Batteripakken eller plæneklipperen er for varmt. (Strømindikatoren på plæneklipperen lyser orange i 10 sekunder) ■ Sidestængerne er ikke trukket ud til deres maksimale længde, og klemmerne er ikke spændt fast. ■ Håndtaget er ikke indstillet på en af de to driftspositioner. ■ Plæneklipperdækket er tilstoppet med græs og snavs. 	<ul style="list-style-type: none"> ■ Oplad batteripakken. ■ Sæt batteripakken til plæneklipperen, tryk den nedad indtil du hører et klik. ■ Lad batteripakken eller plæneklipperen køle ned, indtil temperaturen kommer under 67°C. ■ Træk håndtaget helt ud, og spænd begge klemmer. ■ Indstil håndtaget til en af de to driftspositioner. ■ Rengør plæneklipperdækket, og sørg for at klingens kan dreje rundt uden modstand.
Plæneklipperen skærer ujævnt	<ul style="list-style-type: none"> ■ Klingens er døv. ■ Klippehøjden er ikke indstillet korrekt. ■ Klingens er monteret forkert. 	<ul style="list-style-type: none"> ■ Slib eller skift klingens. ■ Hæv dækket til en højere klippehøjde. ■ Sæt klingens på igen i henhold til afsnittet "SÅDAN SÆTTES KLINGEN PÅ" i denne brugsvejledning.

PROBLEM	ÅRSAG	LØSNING
Plæneklipperen stopper, når man slår græs.	<ul style="list-style-type: none"> ■ Batteripakken er løbet tør for strøm. ■ Plæneklipperen er overbelastet. ■ Plæneklipperdækket er tilstoppet med græs og snavs. ■ Batteripakken eller plæneklipperen er for varmt. (Strømindikatoren på plæneklipperen lyser orange i 10 sekunder.) ■ Sidestængerne er blevet presset lidt tilbage på grund af trykket på håndtaget. 	<ul style="list-style-type: none"> ■ Oplad batteripakken. ■ Hæv klippehøjden, eller kør langsommere, når du slår græsset. ■ Rengør plæneklipperdækket. Hæv klippehøjden, eller klip i smallere linjer. ■ Lad batteripakken eller plæneklipperen køle ned, indtil temperaturen kommer under 67°C. ■ Spænd klemmerne. Træk sidestængerne helt ud, og spænd klemmerne igen.
Plæneklipperen klipper ikke græsset ordentligt	<ul style="list-style-type: none"> ■ En samling af vådt græs sidder fast på undersiden af dækket. ■ Plæneklipperen er indstillet til at klippe for meget græs på én gang. 	<ul style="list-style-type: none"> ■ Vent, indtil græsset tørrer, inden det slås. ■ Hæv dækket til en højere klippehøjde.
Plæneklipper vibrerer meget	<ul style="list-style-type: none"> ■ Klinge sidder løs. ■ Klinge er ubalanceret. ■ Skærekniven er bøjet. ■ Motorakslen er bøjet. 	<ul style="list-style-type: none"> ■ Stramme bolten på klingene. ■ Balancer klingene i henhold til vejledningerne. ■ Skift klingene. ■ Kontakte servicecentret.
Spændebøjlerne til håndtaget kan ikke låses fast.	<ul style="list-style-type: none"> ■ Sidestængerne er ikke trukket helt ud. 	<ul style="list-style-type: none"> ■ Træk sidestængerne helt ud, og spænd spændebøjlerne.

DK

GARANTI

EGO's GARANTIPOLITIK

Besøg venligst hjemmesiden egopowerplus.com for fuldstændige vilkår og betingelser for EGO's garantipolitik.

LÄS IGENOM ALLA INSTRUKTIONER!



LÄS BRUKSANVISNINGEN

⚠ VARNING: Alla reparationer bör utföras av en kvalificerad servicetekniker för att upprätthålla produktens säkerhet och driftsäkerhet.

Avsedd användning och förutsett missbruk:

Produkten är endast avsedd för att klippa gräs i hushållsträdgårdar. Den får inte användas för att klippa onormalt högt, torrt eller vått gräs. t.ex. betesgräs eller för att strimla löv. Produkten får enbart användas för det föreskrivna ändamålet. All annan användning betraktas som missbruk.

SE

SÄKERHETSSYMBOLER

Syftet med säkerhetssymboler är att fästa din uppmärksamhet på eventuella risker. Säkerhetssymbolerna och deras betydelser bör uppmärksammas nogga och förstås. Själva varningssymboler kan dock inte förebygga någon fara. De instruktioner och varningar som de hänvisar till kan aldrig ersätta lämpliga olycksförebyggande åtgärder.

⚠ VARNING: Se till att läsa igenom och förstå alla säkerhetsinstruktioner i bruksanvisningen, inklusive alla varningssymboler såsom "**RISK**", "**VARNING**" och "**VAR FÖRSIKTIG**", innan produkten tas i bruk. Underlåtenhet att följa alla nedan angivna instruktioner kan leda till elstöt, brand och/eller personskada

YMBOLERNAS BETYDELSE

SÄKERHETSRELATERAD VARNINGSSYMBOL:

Betecknar **RISK**, **VARNING** eller **VAR FÖRSIKTIG**. Kan förekomma i samband med andra symboler eller piktogram.

⚠ VARNING: Användning av något elverktyg kan resultera i att främmande föremål kastas in i dina ögon vilket kan resultera i allvariga ögonskador. Innan elverktyget börjar användas skall alltid skyddsglasögon eller skyddsglasögon med sidoskydd och full ansiktsskydd användas när så behövs. Vi rekommenderar att en ansiktsmask med brett synfält används ovanpå glasögonen eller standard skyddsglasögon med sidoskydd.

SÄKERHETSINSTRUKTIONER

Denna sida avbildar och beskriver säkerhetssymboler som kan visas på denna produkt. Läs igenom, förstå och följ alla instruktioner på maskinen innan försök görs att montera och hantera den.

	Säkerhetslarm	Åtgärder som påverkar din säkerhet.
	Läs igenom bruksanvisningen	För att minska risker för skador måste användare läsa igenom och förstå bruksanvisningen innan denna produkt används.
	Se upp med den vassa kniven.	Kniven fortsätter att rotera efter att motorn stängts av - ta bort urkopplingsenheten innan underhåll. Stäng av och ta bort löstagbara batteripaketet (eller avaktivera enheten) innan inställning eller rengöring.
	Håll åskådare på avstånd.	Se till att andra personer och djur håller sig minst 30m från gräsklipparen när den används.
	Håll fötterna och hand borta	Håll fötterna och hand borta
	CE	Denna produkt överensstämmer med gällande EG-direktiv.
	UKCA	Denna produkt uppfyller tillämplig lagstiftning i Storbritannien.
	WEEE	Förbrukade elektriska produkter får inte kasseras som hushållssopor. Lämnas in till en återvinningsstation.
	Brus	Garanterad ljudeffektnivå. Bullerutsläpp i miljön uppfyller EG-direktiv.
	IP-symbol	Skyddar mot inträngande av vatten grad 4
	Volt	Spänning
	Ampere	Ström
	Hertz	Frekvens (cykler per sekund)
	Watt	Effekt

min	Minuter	Tid
	Växelström	Typ av ström
	Likström	Typ eller karakteristik av ström
n_0	Tomgång-shastighet	Rotationshastighet utan belastning
.../min	Per minut	Varv per minut

ALLMÄNNA SÄKERHETSVARNINGAR FÖR ELVERKTYG

⚠ VARNING: LÄS IGENOM ALLA SÄKERHETSVARNINGAR, INSTRUKTIONER, ILLUSTRATIONER OCH SPECIFIKATIONER SOM MEDFÖLJER DETTA MOTORDRIVNA VERKTYG.

Underlåtenhet att följa alla instruktioner som listas nedan kan resultera i elektriska stötar, brand och/eller allvarliga personskador

SPARA ALLA VARNINGAR OCH INSTRUKTIONER FÖR FRAMTIDA REFERENS

Termen "elverktyg" i varningarna syftar på ditt starkströmsdrivna (sladdanslutna) elverktyg eller batteridrivna (sladdlösa) elverktyg.

ARBETSPLATSSÄKERHET

- **Håll arbetsområdet rent och ordentligt upplyst.** Belamrade eller mörka områden inbjuder till olyckor.
- **Använd inte motordrivna verktyg i explosiva miljöer som t.ex. i närvaron av brandfarliga vätskor, gaser eller damm.** Elverktyg skapar gnistor vilka kan antända dammet eller ångorna.
- **Håll barn och åskådare borta medan elverktyget arbetar.** Störningarna kan göra att du tappar kontrollen.

ELEKTRISK SÄKERHET

- **Elverktygets kontakter måste matcha uttaget. Modifiera aldrig kontakten på något sätt. Använd inte några adapterkontakter med jordanslutna (jordade) elektriska verktyg.** Kontakter som ej är modifierade och matchande uttag minskar risken för elektriska stötar
- **Undvik kroppskontakt med jordanslutna eller jordade ytor såsom rör, värmeelement, spisar och kylskåp.** Det finns en ökad risk för elektrisk stöt om din kropp är jordansluten eller jordad.

- **Utsätt inte elverktyg för regn eller våta förhållanden.** Vatten som kommer in i ett elektriskt verktyg ökar risken för elektriska stötar.
- **Vanvärda inte sladden. Använd aldrig kabeln för att bära, släpa eller dra ut kontakten för elverktyget. Håll kabeln borta från värme, olja, skarpa kanter och rörliga delar.** Skadade eller tilltraslade sladdar ökar risken för elektrisk stöt.
- **Vid användning av motordrivna verktyg utomhus, använd en förlängningskabel som är avsedd för utomhusbruk.** Användning av en sladd som passar för utomhusanvändning minskar risken för elektrisk stöt.
- **Om du måste använda ett motordrivet verktyg i en fuktig miljö, använd en jordfelsbrytare.** En jordfelsbrytare minskar risken för elektriska stötar.

SE

PERSONLIG SÄKERHET

- **Var uppmärksam och observant samt använd sunt förnuft när du använder ett elverktyg. Använd inte ett motordrivet verktyg om du är trött eller under påverkan av droger, alkohol eller medicin.** Ett ögonblick av ouppmärksamhet under arbete med elverktyg kan resultera i allvarliga personskador.
- **Använd personlig skyddsutrustning. Använd alltid skyddsglasögon.** Minska risken för personskador genom att använda skyddsutrustning som t.ex. ansiktsmask, halkfria skyddsskor, hjälm och hörselskydd.
- **Förebygg oavsiktlig igångsättning. Se till att strömbrytaren är i frånläge innan du ansluter till strömkällan och/eller batteripaketet, plockar upp eller bär verktyget.** Att bära elverktyget med fingret på strömbrytaren eller verktyg som är påslagna inbjuder till olyckor.
- **Ta bort inställningsnycklar eller skiftnycklar innan elverktyget slås på.** En skiftnyckel eller en nyckel som sitter kvar på en roterande del av elverktyget kan resultera i personskada.
- **Sträck dig inte för långt. Ha ordentligt fotfäste och balans hela tiden.** Detta möjliggör bättre kontroll av elverktyget i oväntade situationer.
- **Klä dig på lämpligt sätt. Använd inte löst sittande kläder eller smycken. Håll ditt hår, kläder och handskar borta från rörliga delar.** Löst sittande kläder, smycken och långt hår kan fastna i rörliga delar.
- **Om enheter för anslutning av dammuppsamlare finns tillgängliga, se till att de är anslutna och används på korrekt sätt.** Användning av dammuppsamlare kan minska dammrelaterade faror.

- **Var alltid uppmärksam vid användning av verktyget, även efter många användningstillfällen, och ignorera inte verktygets säkerhetsprinciper.** En vårdslös handling kan orsaka allvarliga personskador inom bråkdelen av en sekund

ELVERKTYG ANVÄNDNING OCH SKÖTSEL

- **Forcera inte elverktyget. Använd ett korrekt elverktyg för din tillämpning.** Ett korrekt elverktyg utför jobbet bättre och säkrare om det används för rätt tillämpning.
- **Använd inte elverktyget om strömbrytaren inte kan slås på eller stängas av.** Ett elverktyg som inte kan kontrolleras med strömbrytaren är farligt och måste repareras.
- **Koppla ifrån kontakten från strömkällan och/eller batteripaketet från elverktyget innan några justeringar gör, tillbehör byts eller elverktyget läggs undan.** Dessa förebyggande säkerhetsåtgärder minskar risken för att elverktyget startas oavsiktligt.
- **Förvara elverktyg som går på tomgång utom räckhåll för barn och låt inte personer som är ovana med elverktyget eller dessa instruktioner använda elverktyget.** Elektriska verktyg är farliga i händerna på utbildade användare.
- **Underhåll motordrivna verktyg och tillbehör.** Kontrollera felinställningar eller om rörliga delar har fastnat, bristning hos delar och andra eventuella förhållanden som kan komma att påverka elverktygets funktion. Om skadad, lämna in elverktyget för reparation innan det används. Många olyckor beror på dåligt underhållna elverktyg.
- **Håll kapverktyg vassa och rena.** Ordentligt underhållna kapningsverktyg med vassa sågkanter är mindre sannolika att fastna och är lättare att kontrollera.
- **Använd det motordrivna verktyget, tillbehör, insatsverktyg osv. i enlighet med dessa instruktioner och ta hänsyn till arbetsförhållanden och det arbete som ska utföras.** Om elverktyget används för andra tillämpningar än det är avsett för kan det resultera i farliga situationer.
- **Håll handtagen och greppytorna torra, rena och fria från olja och fett.** Halkiga handtag och greppytorna kan leda till osäker hantering och/eller tappad kontroll av verktyget.

ANVÄNDNING OCH SKÖTSEL AV BATTERIDRIVET VERKTYG

- **Ladda endast med den laddare som rekommenderas av tillverkaren.** En laddare som är

lämplig för en typ av batteripaket kan skapa en risk för brand när den används med ett annat batteripaket.

- **Använd endast elverktyg med deras särskilt avsedda batteripaket.** Användning av andra batteripaket kan medföra risk för personskador och eld.
- **När batteripaketet inte används, håll det borta från metallobjekt som t.ex. pappersgem, mynt, nycklar, spikar, skruvar och andra små metallobjekt som kan bilda en anslutning från en batterikontakt till den andra.** Kortslutning av batteriets terminaler kan orsaka brännskador eller en brand.
- **Under olämpliga förhållanden kan vätska spruta ut från batteriet. Undvik kontakt. Vid oavsiktlig kontakt, spola med vatten. Om vätskan kommer i kontakt med ögonen, sök också läkarhjälp.** Vätska som sprutar ur batteriet kan orsaka sveda och brännskador.
- **Använd inte ett batteripack eller verktyg som skadats eller modifierats.** Skadade eller modifierade batterier kan leda till oförutsägbart uppträdande som leder till brand, explosion eller risk för personskador.
- **Utsätt inte batteripaketet eller verktyget för eld eller extrema temperaturer.** Exponering av eld eller temperaturer över 130 °C kan orsaka explosion.
- **Följ alla laddningsinstruktioner och ladda inte batteripaketet eller verktyget utanför det temperatursområde som anges i instruktionerna.** Felaktig laddning eller vid temperaturer utanför angivet temperatursområde kan skada batteriet och ökar risken för brand.

SERVICE

- **Serva ditt elverktyg hos en kvalificerad servicetekniker som endast använder identiska utbytesdelar.** Det säkerställer att säkerheten hos det motordrivna verktygets underhålls.
- **Utför aldrig service på skadade batteripack.** Service av batteripack bör endast utföras av tillverkaren eller auktoriserade serviceverkstäder.

SÄKERHETSREGLER FÖR SLADDLÖS GRÄSKLIPPARE

FARA: Denna maskin har byggts för att arbeta i enlighet med reglerna för säker drift som inkluderas i denna manual. Såsom med alla typer av elutrustning kan oförsiktighet eller fel hos operatören resultera i allvarliga skador. Denna maskin kan skada händer och fötter och kasta iväg föremål. Underlåtenhet att följa dessa

säkerhetsinstruktioner kan resultera i allvarlig skada eller dödsfall.

⚠ VARNING: När sladdlösa gräsklipparen används skall grundläggande säkerhetsföreskrifter alltid följas för att minska risken för brand, elektriska faror och skador på personer.

VIKTIGT

LÄS IGENOM NOGA FÖRE ANVÄNDNING. SPARA FÖR FRAMTID REFERENS.

SÄKERHETSREGLER FÖR SLADDLÖS GRÄSKLIPPARE:

FÖRSIKTIGHET-VIDRÖR INTE RÖTERANDE KNIV!

UTBILDNING

- Läs igenom instruktionerna noggrant. Bekanta dig med kontroller och hur apparaten används korrekt.
- Låt aldrig personer som är obekanta med dessa instruktioner eller barn använda apparaten. Lokala föreskrifter kan begränsa åldern för användare.
- Klipp aldrig medan personer, särskilt barn eller djur finns i närheten.
- Operatören eller användaren är ansvarig för olyckor eller faror som uppstår för andra personer eller deras egendom.

FÖRBEREDELSE

- Vid klippning använd alltid solida skodon och långbyxor.
- Använd inte denna apparat när du är barfota eller använder öppna sandaler. Undvik att använda kläder som sitter löst eller som har hängande remmar eller band.
- Undersök grundligt området där apparaten ska användas och ta bort alla stenar, pinnar, trådar, ben och andra främmande föremål.
- Före användning kontrollera alltid visuellt så att kniv, knivbultar och klippmontage inte är slitna eller skadade. Byt ut slitna eller skadade knivar och bultar i set för att bibehålla balansen. Byt skadade eller oläsliga etiketter.

ANVÄNDNING

- Klipp endast i dagsljus eller i bra artificiellt ljus.
- Undvik att använda apparaten i vått gräs då det är möjligt.
- Se alltid till att ha bra fotfäste när marken lutar.
- Gå , spring aldrig.
- För hjulförsedda rotationsgräsklippare, rör dig alltid långsamt med lutningar aldrig uppåt och nedåt.

- Var extra försiktig när du byter riktning i sluttingar.
- Använd inte gräsklipparen i mycket branta sluttingar.
- Var extra försiktig när du backar eller drar apparaten mot dig.
- Stoppa kniven om apparaten ska lutas för transport när andra ytor än gräs korsas och när apparaten transporteras från ett område till ett annat som ska klippas.
- Använd aldrig apparaten med defekta skydd och skärmar eller utan säkerhetsenheter, exempelvis strålningskydd och/eller gräsuppsamlare på plats.
- Starta motorn enligt instruktionerna och med fötterna borta från kniven.
- Luta inte apparaten när motorn startas förutom om apparaten måste lutas för start. I detta fall luta inte mer än nödvändigt och lyft endast den del som är längst bort från användaren. Se alltid till att båda händerna är i operativt läge innan apparaten sätts ned på marken. Starta inte maskinen om du står framför utkastaröppningen.
- Placera inte händer eller fötter i närheten eller under roterande delar. För rotationsklippare håll utkastaröppningen ren hela tiden.
- Lyft aldrig upp eller bär apparaten när motorn körs.
- Stäng av och ta bort det löstagbara batteripaketet (eller avaktivera enheten) och se till att alla rörliga delar har stannat helt innan inställning eller rengöring görs:
 - När du lämnar maskinen;
 - Innan rengöring av en blockering eller rensning av utkastaren;
 - Innan kontroll, rengöring eller arbete med apparaten;
 - När apparaten kört på ett främmande föremål. Kontrollera om apparaten har skador och reparera om så behövs.
- Om apparaten börjar vibrera onormalt (kontrollera omedelbart):
 - Inspektera om det finns skador;
 - Byt ut eller reparera skadade delar;
 - Kontrollera om det finns lösa delar och dra åt dessa.

SE

UNDERHÅLL OCH FÖRVARING

- Var försiktig vid justering av maskinen för att förhindra att fingrar fastnar mellan rörliga knivar och fasta delar på apparaten.
- Se till att alla skruvar, muttrar och bultar är åtdragna för att säkra att apparaten är säker att arbeta med.
- Kontrollera gräsuppsamlaren regelbundet för slitage eller förlitning.

- Byt ut slitna eller skadade delar av säkerhetsskäl.
- Rengöring och underhåll får inte utföras av barn utan tillsyn.
- Vid service på kniven var medveten om att, även om strömkällan är urkopplad kan kniven fortfarande vara i rörelse.
- För rotationsgräsklippare, se till att byta ut klipphjälpmiddel mot korrekt sort.

PERSONLIG SÄKERHET

Tragiska olyckor kan ske om operatören inte är uppmärksam om barn finns i närheten. Barn är ofta attraherade av gräsklipparen och gräsklippningen. De förstår inte faran. Anta aldrig att barn kommer att vara kvar där du senast såg dem.

SE

- Håll barnen utanför klippområdet och under uppsikt av annan vuxen är operatören.
- Var uppmärksam och stäng av gräsklipparen om en barn kommer in i området.
- Var extremt försiktig när du närmar dig hörn, dörröppningar, buskage, träd eller andra föremål som kan hindra att du ser ett barn som kan springa in i gräsklipparen.
- Barn bör övervakas så att de inte leker med gräsklipparen.
- Stäng alltid av gräsklipparen när batteripaketet tas bort från verktyget. Stoppa kniven om apparaten ska lutas för transport när andra ytor än gräs korsas och när apparaten transporteras från ett område till ett annat som ska klippas.

ANVÄNDNING

ALLMÄN ANVÄNDNING:

- Läs igenom denna bruksanvisning noga i dess helhet innan du försöker att montera maskinen. Läs igenom, förstå och följ alla instruktioner på maskinen och i manualerna innan den används. Bekanta dig ordentligt med kontrollerna och korrekt användning av denna maskin innan den används. Spara manualen på en säker plats för framtida och återkommande referens och för att beställa reservdelar.
- Använd rätt apparat - Använd inte gräsklipparen för andra jobb än vad den är avsedd för.
- Sträck dig inte - Ha ordentligt fotfäste och balans hela tiden.
- Föremål som träffas av gräsklipparens kniv kan orsaka allvarliga skador på personer. Gräsklipparen skall alltid undersökas noga och alla föremål skall rensas bort före varje klippning.
- Innan och under klippning bakåt, titta bakåt och nedåt efter små barn eller andra personer.
- Denna maskin är ingen leksak. Var därför extremt försiktig hela tiden. Din enhet har designats för att utföra ett jobb: Klippa gräs. Använd inte den för andra syften.
- Tvinga inte gräsklipparen – den kommer att göra jobbet bättre och säkrare i den hastighet som den konstruerats för.
- Före användning kontrollera alltid visuellt så att kniv, knivbultar och klippmontage inte är slitna eller skadade. Byt slitna eller skadade knivar och bultar och alla andra komponenter samtidigt för att undvika obalans. Byt skadade eller oläsliga etiketter.
- Var extra försiktig när du backar eller drar apparaten mot dig.
- Inspektera noga det område där utrustningen skall användas. Ta bort alla stenar, pinnar, ledningar, leksaker och andra främmande föremål som du kan snubbla över eller lyftas upp och kastas iväg av bladet. Föremål som kastas iväg kan orsaka allvarliga personskador. Planera hur du skall klippa för att undvika att material kastas mot vägar, trottoarer, åskådare och liknande. Undvik också att material kastas mot väggar eller mot hinder vilka kan göra att material studsar tillbaka mot operatören.
- För att hjälpa till att undvika kontakt eller att skadas av föremål som kastas iväg, var kvar i operatörszonen bakom handtagen och håll barn, åskådare, medhjälpare och husdjur minst 30 m från gräsklipparen är den används. Stanna maskinen om någon kommer in i området.
- Använd alltid säkerhetsglasögon eller skyddsglasögon under arbetet och när justeringar eller reparationer utförs för att skydda ögonen. Föremål som kastas iväg kan studsas om orsaka allvarliga skador på ögonen. Använd också ansiktsmask eller dammfilterskydd om arbetet är dammig.
- Klä dig korrekt - Bär inte löst sittande kläder eller smycken. De kan fastna i maskinens rörliga delar. Användning av gummihandskar och skor rekommenderas vid arbete utomhus. Använd stadiga arbetsskoor med grov sula och åtsittande byxor och tröjor. Tröjor och byxor som täcker armar och ben och skor med stålhätta rekommenderas. Använd aldrig maskinen barfota, i sandaler, hala eller lätta skor (t.ex. canvas).
- Placera inte händer eller fötter i närheten av roterande delar eller under klippdäcket. Kontakt med bladet kan skada händer eller fötter.
- Ett saknat eller skadat lock till utkastaren kan leda till bladkontakt eller skador från kastade föremål.

- Många skador sker om gräsklipparen dras över foten vid fall som orsakas av att personen halkar eller snubblar. Håll inte i gräsklipparen och du ramlar, släpp handtaget omedelbart.
- Dra aldrig gräsklipparen bakåt medan du går. Om du måste backa gräsklipparen bort från en vägg eller ett hinder, titta förs ned och bakåt för att undvika att snubbla och följ sedan dessa steg:
 - Kliv bakåt från gräsklipparen tills armarna är helt utsträckta.
 - Se till att du har god balans och bra fotfäste.
 - Dra gräsklipparen bakåt sakta, inte mer än halvvägs mot dig.
 - Upprepa dessa steg ovan om så behövs.
- Använd inte gräsklipparen om du är påverkad av alkohol eller droger.
- Var uppmärksam - Titta på det du gör. Använd sunt förnuft. Använd inte gräsklipparen när du är trött.
- Motorns/knivens kontrollhandtag är en säkerhetsenhet. Försök aldrig att kringgå dess funktion. Om så görs blir säkerhetsenheten inaktiv och kan resultera i personskador vid kontakt med de roterande bladen. Motorns/knivens kontrollhandtag måste fungera enkelt i båda riktningarna och automatiskt återgå till den avaktiverade positionen när det släpps.
- Undvik farliga miljöer - använd inte gräsklipparen på fuktiga eller våta platser.
- Använd inte i regn.
- Var alltid stadig på foten. Att halka eller falla kan orsaka allvarliga personskador. Om du känner att du tappar fotfästet, släpp motorns/knivens kontrollhandtag omedelbart och kniven kommer att stanna inom tre sekunder.
- Stoppa kniven när du korsar grusvägar, trottoarer eller vägar.
- Om utrustningen börjar vibrera onormalt, stoppa motorn och kontrollera omedelbart orsaken. Vibrationer är vanligtvis en varning för problem.
 - Inspektera om det finns skador;
 - Byt ut eller reparera utbytbara skadade delar;
 - Kontrollera om det finns lösa delar och dra åt dessa.
- Använd inte gräsklipparen utan korrekt frihängande skydd, utkastartäckning, gräsupsamlare, mullinsats, sidoutkastarrör, motorns/bladets kontrollhandtag eller andra säkerhetsskydd på plats och fungerande. Använd aldrig gräsklipparen med skadade säkerhetsenheter. Om inte detta görs finns det risk för allvarliga personskador.

- Om situationer som inte omfattas av denna bruksanvisning uppstår, var försiktig och använd sunt förnuft. Kontakta EGO:s kundtjänst för hjälp.
- Batteripaketet måste tas ur apparaten innan det skrotas.
- Batteriet måste kasseras på ett säkert sätt.

ARBETE I EN SLUTNING:

Slutningar är en stor faktor för halka-och-falla olyckor vilket kan resultera i allvarlig skada. Se alltid till att ha bra fotfäste när marken lutar. Arbeta i slutningar kräver extra försiktighet. Om du känner dig osäker i en slutning, klipp den inte.

Gör följande:

- Klipp långs med slutningar aldrig uppåt och nedåt. Var extra försiktig när du byter riktning i slutningar.
- Se upp för hål, stenar, dolda föremål eller gupp som kan göra att du halkar eller snubblar. Högt gräs kan dölja hinder.

Gör inte följande:

- Klipp inte nära branta slutningar, diken eller jordvallar, du kan förlora fotfästet eller balansen.
- Klipp inte slutningar med större lutning än 15 grader.
- Klipp inte i vått gräs. Instabilt fotfäste kan göra att du halkar.

SERVICE

⚠ VARNING: Gräsbehållarkomponenter, utkastartäckning, sidoutkastarrör, mullinsats och frihängande skydd slits vilket kan exponera rörliga delar eller att föremål kastas ut och utgöra en risk för skador. Av säkerhetsskäl kontrollera regelbundet alla komponenter och byt skadade komponenter omedelbart med identiska delar som listas i denna manual. Kontakta EGO kundtjänst eller ditt närmaste EGO servicecenter och reparationer och byte av delar skall utföras av en kvalificerad servicetekniker!

- Om gräsklipparen inbyggda överbelastningskydd ofta utlöses, kontakta EGO kundtjänst eller ditt närmaste EGO servicecenter.
- Tvätta inte gräsklipparen med en slang, undvik att få vatten i motorn och i elektriska anslutningar.
- Ta bort nyckeln och förvara gräsklipparen inomhus när den inte används. Låt motorn svalna innan förvaring i något slutet utrymme. Gräsklipparen skall förvaras på en torr, hög plats eller i ett låst utrymme utom räckhåll för barn.

SE

- Vid service, använd endast identiska reservdelar som listas i denna manual. Användning av delar som inte uppfyller originaldelarnas specifikationer kan leda till felaktig prestanda och riskera säkerheten.
- Ta bort eller koppla ifrån batteripaketet före service, rengöring eller borttagning av material från gräsklipparen.
- Följ instruktionerna för hur man byter ut tillbehör.
- Se till att handtagen är torra, rena och fria från olja och fett.
- För att minska brandrisken, håll motorhöljet fritt från gräs, löv och skräp som samlas.
- Kontrollera kniven och motorns monteringsbultar regelbundet för korrekt åtdragning. Inspektera också kniven visuellt om det har några skador (t.ex. är böjt, sprucket eller slitet). Byt endast kniven mot en identisk utbyteskniv som listas i denna manual.
- Sköt om din gräsklippare - håll gräsklipparens kniv vass och ren för bästa och säkraste prestandan. Klipparknivar är vassa och kan skära. Linda in kniven eller använd handskar och var extra försiktig när det får service.
- Ta aldrig bort eller förändra säkerhetsenheter. Kontrollera regelbundet att de fungerar korrekt. Gör inget för att störa den avsedda funktionen på en säkerhetsenhet för att minska skyddet som ges via en säkerhetsenhet.
- Stoppa alltid motorn innan några justeringar görs på ett hjul eller klipphöjden justeras.
- Om den slår emot ett främmande föremål, stoppa motorn, ta bort nyckeln och inspektera noga gräsklipparen för att se om den skadats. Reparera skadan innan gräsklipparen används igen.
- Behåll eller ersätt säkerhets- och instruktionsetiketter när så behövs. Kontakta EGO kundtjänst eller ditt närmaste EGO servicecenter och reparationer och byte av delar skall utföras av en kvalificerad servicetekniker!
- **TA VÅL VARA PÅ SÄKERHETSANVISNINGARNA.** Läs igenom dem regelbundet och använd dem för att instruera andra som kan komma att använda detta verktyg. Om du lånar ut detta verktyg till någon annan låna då också ut dessa instruktioner för att förhindra missbruk av produkten och eventuella skador.

BATTERI ANVÄNDNING OCH SKÖTSEL

- För att spara på naturresurser, återvinn eller kassera batterier på korrekt sätt. Denna produkt innehåller ett litium-jon batterier. Lokala eller nationella

lagar förbjuder kassering av litium-jon batterier i vanliga soporna. Rådfråga din lokala myndighet för sophantering om tillgänglig information och återvinning och/eller kasseringsalternativ.

- Vid borttagning av batteripaketet för kassering eller återvinning, täck över batteripaketets terminalen med kraftig självhäftande tejp. Försök inte att förstöra eller demontera batteripaketet eller att ta bort någon av dess komponenter. Litium-jonbatterier måste återvinnas eller kasseras korrekt. Vidrör heller aldrig terminalerna med metallföremål och/eller kroppsdelar då det kan resultera i kortslutning. Förvara utom räckhåll för barn. Om inte dessa varningar följs kan det leda till brand och/eller allvarlig skada.
- **UNDER OLÄMPLIGA FÖRHÅLLANDEN KAN VÄTSKA SPRUTA UT FRÅN BATTERIET. UNDVIK KONTAKT. VID OAVSIKTLIG KONTAKT, SPOLA MED VATTEN. OM VÄTSKAN KOMMER I KONTAKT MED ÖGONEN, SÖK OCKSÅ LÄKARHJÄLP.** Vätska som sprutar ur batteriet kan orsaka sveda och brännskador.

SPECIFIKATIONER

Modellnr	LM2020E	LM2020E-SP
Självgående system	Nej	Ja
Spänning	56 V	56 V
Tomgångshastighet	3000 /min	3000 /min
Klipphöjd	25-95 mm	25-95 mm
Rekommenderad driftstemperatur:	0°C-40°C	0°C-40°C
Rekommenderad förvaringstemperatur:	-20°C-70°C	-20°C-70°C
Klipphöjdslägen	6	6
Däckstorlek	51 cm	51 cm
Klippbredd	50 cm	50 cm
Volym gräsbehållare	60 L	60 L
Gräsklipparvikt (utan batteripaket, mullinsats)	24,4 kg	27,2 kg
Knivmodell	AB2001	AB2001
Uppmätt ljudtrycksnivå L_{WA}	91,5 dB(A) K=1,80 dB(A)	91,0 dB(A) K=1,89 dB(A)
Ljudtrycksnivå vid operatörens öra L_{PA} K=3 dB(A)	79,5 dB(A)	79,2 dB(A)
Garanterad ljudeffektivnivå L_{WA} (enligt 2000/14/EG)	93 dB(A)	93 dB(A)

Vibration a_{hv} K=1,5 m/s ²	Vänster handtag	≤2,5 m/s ²	≤2,5 m/s ²
	Höger handtag	≤2,5 m/s ²	≤2,5 m/s ²
Knivbroms		Ja	Ja

- Det deklarerade totala vibrationsvärdet har uppmätts i enlighet med en standardtestmetod och kan användas för att jämföra ett verktyg med ett annat.
- Det deklarerade totala vibrationsvärdet kan också användas i en preliminär utvärdering av exponeringen.

NOTERA: Vibrationsutstrålningen under verklig användning av elverktyg kan skilja sig från det deklarerade värdet i vilken verktyget används. För att skydda operatören skall användaren använda skyddshandskar och hörselskydd under faktiska användningsförhållandet.

PACKNINGSLISTA

ARTIKELNAMN	MÄNGD
Gräsklippare	1
Gräsbehållare	1
Gräsbehållarram	1
Mullinsats	1
Sidoutkastarrör	1
Säkerhetsnyckel	1
Bruksanvisning	1

BESKRIVNING

LÄR KÄNNA DIN GRÄSKLIPPARE (Fig. A & B & C & D & E)

- 1 Bågomkopplare (omkopplarspak)
- 2 Handtag
- 3 Säkerhetsknapp
- 4 Självdrivande systemets avtryckare
- 5 Låsklämma handtag
- 6 Gräsbehållare
- 7 Justerspak klipphöjd
- 8 Bakhjul
- 9 Sidoutkastarlucka
- 10 Gräsklippardäck
- 11 LED-strålkastare
- 12 Däckskydd

- 13 Framhjul
- 14 Batteripaketlock
- 15 Bakre handtag
- 16 Snabbjusteringsspak
- 17 Bakre utkastarlucka
- 18 Sidoskena
- 19 Självdrivande systemets hastighetskontrollspak
- 20 Frihängande skydd
- 21 Omkopplarknapp för LED-strålkastare
- 22 Strömindikator
- 23 Frigöringsknapp för batteriet
- 24 Säkerhetsnyckelhål
- 25 Mullinsats
- 26 Sidoutkastarrör

SE

DRIFT

MONTERING AV GRÄSBEHÅLLARE

- 1) Låt gräsbehållaren glida upp på ramen (Fig. F).
- 2) Fäst toppclippen på ramen (Fig. G), fäst sedan det två sidoclippen. Fäst det undre clipset sist.
- 3) Den kompletta monterade gräsbehållaren visas i Fig. H.

INSTÄLLNING AV DET VIKBARA HANDETGET

⚠ VARNING: Försök inte att starta gräsklipparen innan handtaget låsts i en av de tre förinställda driftpositionerna (ÖVRE DRIFTPOSITION, MELLERSTA DRIFTPOSITIONEN eller NEDRE DRIFTPOSITION).

Din gräsklippare levereras med handtaget i hopfällt, LÅST FÖRVARINGSPOSITION (Fig. I).

- 1) Tryck på och håll kvar snabbinställningsspaken för att lossa handtaget från LÅST LAGRINGSPOSITION.
- 2) Lyft upp handtaget från dess hopvikta position, släpp sedan spaken. Luta försiktigt handtaget uppåt tills du hör och känner att låspinnen aktiveras i en av positionerna såsom visas i Fig. J.

Fig. J delarnas beskrivning se nedan:

J-1	Låst förvaringsposition
J-2	För montering/borttagning av gräsbehållare
J-3	Övre driftläge
J-4	Mellersta driftläge
J-5	Nedre driftposition

FÄSTA/TA BORT GRÄSBEHÅLLAREN/ MULLINSATSEN

⚠ VARNING: Gör aldrig under några förhållanden några justeringar på gräsklipparen utan att först ha stoppat motorn, tagit bort säkerhetsnyckeln och väntat tills kniven har slutat att rotera.

NOTERA: Fäst någon av tillsatserna på gräsklipparen innan klippning.

■ Fästa/ta bort gräsbehållaren (Fig. K)

Justera handtaget till lämplig driftsposition. Lyft den bakre utkastarluckan och haka fast gräsbehållaren på pivotstängan. För att ta bort, lyft bara gräsbehållaren rakt upp från pivotstängan. Slutligen lossa bakre utkastarluckan.

NOTERA: Ta bort den förinstallerade mullinsatsen från gräsklipparen innan gräsbehållaren fästs på gräsklipparen.

■ Fästa/ta bort mullinsatsen (Fig. L)

Lyft på den bakre utkastarluckan och sätt in mullinsatsen i gräsklipparen. För att ta bort, dra den bara rakt ut. Slutligen lossa bakre utkastarluckan.

■ Fästa/ta bort sidoutkastarröret (Fig. M)

Lyft på sidoutkastarluckan. Rikta in öppningen på utkastarröret mot knoppen på utkastarluckan och lossa sidoutkastarluckan försiktigt för att få den att rotera runt pivotstängan tills den vilar fast mot utkastarröret. För att ta bort, lyft sidoutkastarluckan, lyft sidoutkastarröret upp och bort från monteringsknoppen på luckan.

Fig. M delarnas beskrivning se nedan:

M-1	Sidoutkastarlucka
M-2	Monteringsknopp
M-3	Monteringsöppning
M-4	Sidoutkastarrör
M-5	Pivot

OBS! Mullinsatsen måste vara på plats när sidoutkastarröret är monterat.

INSTÄLLNING AV KLIPPHÖJDEN (Fig. N)

⚠ VARNING: Håll fötter undan från däckat när höjden ställs in. Gräsklipparen kan ställas in på 6 olika klipphöjder mellan 25 mm och 95 mm. Välj korrekt klipphöjd enligt typ och förhållandet hos gräset.

NOTERA: När verktyget förflyttas se till att klipphöjden är inställd på position 3 eller högre. Om inte så görs kan det resultera i skador på kniven.

FASTSÄTTNING/BORTTAGNING AV BATTERIPAKET (Fig. O)

Använd endast med de batteripack och laddare som listas i bild A.

IADDA innan första ANVÄNDNING.

⚠ VARNING: Om någon del är trasig eller saknas, försök inte att fästa batteripaketet på gräsklipparen eller använd gräsklipparen innan den trasiga eller saknade delen ersatts. Om inte detta görs finns det risk för allvarliga personskador.

■ Att fästa

Skjut batteripaketet i batterifacket tills du hör ett "klick".

■ Borttagning

Tryck ned batterilåsknappen i batterifacket.

Fig. O delarnas beskrivning se nedan:

0-1	Säkerhetsnyckelhål
0-2	Säkerhetsnyckel
0-3	Batterilåsknapp

NOTERA: Se till att haken på gräsklipparen snäpper på plats och att batteripaketet sitter fast i gräsklipparen innan arbetet påbörjas.

STARTA/STOPPA GRÄSKLIPPAREN

⚠ VARNING: Användning av något gräsklippare kan resultera i att främmande föremål kastas in i dina ögon vilket kan resultera i allvarliga ögonskador. Använd alltid skyddsglasögon när gräsklipparen används eller när justeringar eller reparationer görs på den.

⚠ VARNING: Se till att andra personer och djur håller sig minst 30m från gräsklipparen när den används.

⚠ VARNING: Kniven fortsätter att rotera i några sekunder efter det att gräsklipparen stängts av. Låt motorn/kniven slut rotera innan den "slås på" igen. Växla inte snabbt mellan på och av.

SÄKERHETSNYCKEL

För att förhindra oavsiktlig start eller obehörig användning av din sladdlösa gräsklippare finns en löstagbar säkerhetsnyckel inbyggd i designen av gräsklipparen. Gräsklipparen blir helt avaktiverad när säkerhetsnyckeln har tagits bort från gräsklipparen.

⚠ FARA: Roterande knivar kan orsaka allvarliga skador. För att förhindra allvarlig skada skall säkerhetsnyckeln tas bort när gräsklipparen är utan uppsikt eller vid inställningar, rengöring, service, lyft eller förvaring av gräsklipparen.

NOTERA: Motorn kan inte starta såvida inte:

- Handtaget är låst i en av driftpositionerna
- Sidoskenorna är helt utdragna (Fig. P).
- Båda gröna handtagsklämmorna är låsta (Fig. Q).

Q-1 | indikation linje

⚠ FÖRSIKTIGHET: Försök inte att åsidosätta funktionen hos säkerhetsknappen och bågomkopplaren

Att starta

- 1) Fäst batteripaketet i gräsklipparen, sätt i säkerhetsnyckeln i nyckelhålet och stäng batteriluckan (Fig. O).
- 2) Enligt bild R, tryck ner säkerhetsknappen.
- 3) Med omkopplingsknappen nertryckt, dra bågomkopplaren uppåt mot handtaget och frigör säkerhetsknappen (Fig. S).

Att stoppa

- 1) Släpp bågomkopplaren.
- 2) Den elektriska bromsen i den automatiska bromsmekanismen kommer att stoppa knivens rotation inom 3 sekunder efter att bågomkopplarens släppts.

VARIABEL HASTIGHET SJÄLVGÅENDE SYSTEM

LM2020E-SP gräsklippare är utrustad med variabel självdrivande hastighet. Detta system är oberoende av knivens omkopplare, den är inte beroende av knivens rotation.

För att driva systemet utan knivrotation, dra självgående avtryckaren till handtaget.

För att stänga av självdrivande systemet, släpp självgående avtryckaren.

Systemet har variabel hastighet. För att öka hastigheten, flytta självdrivande systemets hastighetskontrollspak framåt. För att minska hastigheten, flytta den självgående hastighetskontrollspaken bakåt. (Fig. T).

Hantering med kniven roterande för klippning:

1. Starta gräsklipparen.
2. Medan bågomkopplaren hålls mot handtaget med vänster hand, dra reglaget för självdrivning till handtaget med höger hand.
3. Håll både bågomkopplaren och reglaget för självdrivning mot handtaget med höger hand och använd vänster hand för att justera hastighetsspaken till en lämplig hastighet.

⚠ VARNING: För att minska risken för skador, försök aldrig att åsidosätta driften av omkopplaren eller själva drivsystemet. Använd det självdrivande systemet endast för vad det är avsett för.

LED ARBETSBELYSNING PÅ GRÄSKLIPPAREN (Fig. A-13)

Tryck på omkopplarknappen (Fig. C-22) för att slå på/ stänga av LED arbetsbelysningen framför batterifacket.

STXRÖMINDIKATOR PÅ GRÄSKLIPPAREN (Fig. U)

Gräsklipparen är utrustad med en strömindikator för att indikera laddningsstatusen hos batteripaketet och arbetsstatusen för gräsklipparen. Strömindikatorn kommer att lysa när kniven rotera 5r eller när LED arbetsbelysningen är påslagen.

Strömindikator på gräsklipparen	Innebörd	Åtgärd
Lyser grönt	Gräsklipparen arbetar korrekt, batteriet har minst 15% av dess laddning kvar.	N/A
Lyser rött	Svagt batteri	Stoppa gräsklipparen och ladda batteripaketet
Blinkar rött	Batteriet är nästan helt tomt	Stoppa gräsklipparen och ladda batteripaketet
Lyser orange	Gräsklipparen eller batteripaketet är överhettat	Ta bort batteripaketet från gräsklipparen, flytta dem till skuggan och kyl dem i minst 15 minuter
Blinkar orange	Gräsklipparen är överladdad	Sakta ned farten eller öka klipphöjden för att minska belastningen.

SE

GRÄSKLIPPARE ÖVERBELASTNINGSSKYDD

För att förhindra överbelastning, försök att inte klippa för mycket gräs på en gång. Skata ned klipphastigheten eller öka klipphöjden.

Din gräsklippare har en inbyggd överbelastningskrets skydd. När gräsklipparen är överbelastad kommer motorn att stoppa och strömindikatorn på gräsklipparen att blinka orange. Ta bort batteriet från gräsklipparen. Kontrollera om gräs har samlats under däckets och rensa om så behövs, installera sedan batteriet och starta om gräsklipparen.

SKYDD HÖG BATTERITEMPERATUR

Batteripaketet kommer att generera värme under drift. Värmen försvinner långsammare vid varmt väder. Om batteritemperaturen överstiger 70°C under drift kommer skyddskretsen omedelbart att stänga av gräsklipparen för att skydda batteripaketet från att skadas. Strömindikatorn på gräsklipparen kommer att lysa orange. Släpp båghandtaget, vänta tills batteripaketet kylts ned till ungefär 67°C, starta sedan om gräsklipparen.

SE

UNDERHÅLL

⚠ VARNING: För att undvika allvarliga personsador skall alltid säkerhetsnyckeln och batteripaketet tas bort från gräsklipparen innan rengöring eller underhåll utförs.

⚠ VARNING: Vid service ska enbart identiska utbyteskomponenter användas. Användning av andra delar kan skapa risker eller orsaka produktsador. För att garantera säkerheten och pålitligheten skall alla reparationer och utbyten utföras av en kvalificerad servicetekniker.

RENGÖRING AV GRÄSKLIPPAREN

⚠ VARNING: Ta alltid bort säkerhetsnyckeln och batteripaketet vid service eller transport av gräsklipparen.

Undersidan av gräsklipparkåpan skall rengöras efter varje användning efter som gräsklipp, löv, smuts och annat skräp kommer att ackumuleras. Denna ackumulering är oönskad då det kommer att främja rostbildning och korrosion på metalldelar och minska klippeffektiviteten hos gräsklipparen.

Ta bort allt uppsamlat gräs och löv på och runt drivaxeln (endast LM2020E-SP) och motorfläkten (använd inte vatten). Torka rent gräsklipparen med en fuktig trasa.

BORTTAGNING/INSTALLATION AV KNIVEN

⚠ VARNING: Skydda alltid händer genom att använda kraftiga handskar eller linda in skärkniven med trasor eller annat material när underhålls görs av kniven.

■ Borttagning av kniven (Fig. W).

NOTERA: Om bulten roterar med motoraxeln lossa bulten, vrid fläkten för hand för att rikta in hålen på fläkten mot hålen på kniven och placera en annan metallstång i de inriktade hålen

■ Installera kniven

Följ monteringssekvensen i Fig. V, med fläktbladet riktat mot däckets och kniven med dess skrivna text mot utsidan, rikta in hålen i fläkten mot hålen i kniven (Fig. X) och dra sedan åt kniven såsom Fig. X visar. Fig. V & W delarnas beskrivning se nedan:

V-1	Fläkt	V-5	Bult
V-2	Inre fläns	W-1	Stabilisator 1
V-3	Kniv	W-2	Stabilisator 2
V-4	Yttre fläns	W-3	14 mm skuvnyckel

NOTERA: Det rekommenderade vridmomentet för åtdragning av kniven är 49-59Nm.

FÖRVARING AV GRÄSKLIPPAREN

- Ta bort batteripaketet från gräsklipparen och förvara det på en kall, torr och ren plats. Förvara det inte nära korrosiva material, såsom gödningsmedel eller bergssalt
- Förvara gräsklipparen i ett täckt och slutet utrymme som är svalt, torrt och utom räckhåll för barn.
- Täck inte över gräsklipparen med ett tätt plastskyne. Plastskynten över fukten runt gräsklipparen vilket orsakar rost och korrosion.
- Gräsklipparen kan förvaras upprätt eller plant (Fig. Z).

⚠ VARNING: Om gräsklipparen börjar tippa över från upprätt position kan gräsklipparen eller personer skadas. Ha alltid gräsklipparen stabil placerad och utom räckhåll för barn när den är i upprätt position. Om möjligt, lägg den plant vid förvaring.

Skydda miljön



Kasta inte elektrisk utrustning, batteriladdare och batterier/laddningsbara batterier i hushållssoporna.

I enlighet med Europeisk lag 2012/19/EU måste elektrisk och elektronisk utrustning som inte längre är användbara, och enligt Europeisk lag 2006/66/EG, defekta eller förbrukade batteripaket/batterier samlas in separat.

Om elektriska apparater kasseras i fyllnadsgröpar på marken eller soptippar kan farliga substanser läcka ut i grundvattnet och komma in i livsmedelskedjan och skada din hälsa och ditt välbefinnande.

SE

FELSÖKNING

⚠ VARNING: Ta alltid bort säkerhetsnyckeln och batteripaketet vid service eller transport av gräsklipparen. Skydda alltid händer genom att använda kraftiga handskar eller linda in skärkniven med trasor eller annat material när underhålls görs av kniven.

SE

PROBLEM	ORSAK	LÖSNING
Gräsklipparen startar inte	<ul style="list-style-type: none"> ■ Batteriet är helt tomt. ■ Batteriet är inte monterad på plats i batterifacket. ■ Batteriet eller gräsklipparens kretssystem är för hett. (Strömindikatorn på gräsklipparen kommer att lysa orange under 10 sekunder) ■ Sidoskenorna är inte utdragna till dess maximala längd och klämmorna är inte låsta på plats. ■ Handtaget är inte inställt i en av de två driftpositionerna. ■ Gräsklipparkåpan är igensatt med gräs och skräp. 	<ul style="list-style-type: none"> ■ Ladda batteripaketet. ■ Fäst batteripaketet i gräsklipparen, tryck tills du hör ett klick. ■ Låt batteripaketet eller gräsklipparen svalna tills temperaturen sjunker under 67°C. ■ Dra ut hantaget helt och lås båda klämmorna. ■ Ställ in handtaget till en av de två driftpositionerna. ■ Rengör gräsklipparkåpan och se till att kniven kan röra sig fritt.
Gräsklipparen klipper ojämnt.	<ul style="list-style-type: none"> ■ Kniven är slö. ■ Klipphöjden är inte korrekt inställd. ■ Kniv är felaktigt monterad. 	<ul style="list-style-type: none"> ■ Slipa eller byt kniven. ■ Höj däckets till en högre klipphöjd. ■ Montera tillbaka kniven, följ sektionen "INSTALLERA KNIVEN" i denna manual.
Gräsklipparen stannar under klippningen	<ul style="list-style-type: none"> ■ Batteriet är helt tomt. ■ Gräsklipparen är överbelastad. ■ Gräsklipparkåpan är igensatt med gräs och skräp. ■ Batteriet eller gräsklipparens kretssystem är för hett. (Strömindikatorn på gräsklipparen kommer att lysa orange i 10 sekunder) ■ Sidoskenan är tillbakadragen något genom att tryck skett på handtaget. 	<ul style="list-style-type: none"> ■ Ladda batteripaketet. ■ Öka klipphöjden eller sakta ned klippningen. ■ Rensa gräsklipparkåpan. Höj klipphöjden eller klipp en smalare sträng. ■ Låt batteripaketet eller gräsklipparen svalna tills temperaturen sjunker under 67°C. ■ Lås upp klämmorna. Dra ut sidoskenan helt och lås klämmorna igen.
Gräsklipparen finfördelar inte ordentligt	<ul style="list-style-type: none"> ■ Vått gräs har fastnat på undersidan av kåpan. ■ Gräsklipparen är inställd att klippa för mycket gräs i taget. 	<ul style="list-style-type: none"> ■ Vänta tills gräset torkar innan klippning. ■ Höj kåpan till en högre klipphöjd.

PROBLEM	ORSAK	LÖSNING
Det förekommer kraftiga vibrationer	<ul style="list-style-type: none">▪ Klippkniven är lös.▪ Klippkniven är i obalans.▪ Skärbladet är böjt.▪ Motoraxeln är böjd.	<ul style="list-style-type: none">▪ Dra åt alla knivbultar.▪ Balansera kniven enligt instruktionerna.▪ Byt kniven.▪ Kontakta servicecentret.
Låsklämmorna på handtaget kan inte stängas i positionen.	<ul style="list-style-type: none">▪ Sidoskenorna är inte helt utdragna.	<ul style="list-style-type: none">▪ Dra ut sidoskenorna helt och lås klämmorna igen.

SE

GARANTI

GARANTIVILLKOREN AV EGO

Var god besök webbplatsen egopowerplus.com för att se de fullständiga garantivillkoren av EGO.

LUE KAIKKI OHJEET!



LUE KÄYTTÖOPAS

VAROITUS: Valtuutetun huoltoteknikon tulee suorittaa kaikki korjaukset ja osien vaihdot, jotta voidaan taata tuotteen turvallinen ja luotettava käyttö.

Käyttötarkoitus ja ennakoidut

väärinkäyttömahdollisuudet: Tuote on tarkoitettu ruohon leikkaamiseen vain kotipuutarhoissa. Sitä ei ole tarkoitettu erityisen pitkän, kuivan tai kostean ruohon leikkaamiseen, esim. laidunruohon, tai lehtien silppuamiseen. Tuotetta tulee käyttää vain sille tarkoitettuun tarkoitukseen. Kaikki muu käyttö katsotaan väärinkäytöksi.

FI

TURVAMERKIT

Turvamerkkien tavoitteena on kiinnittää huomio mahdollisiin vaaroihin. Sinun tulee lukea huolellisesti käyttöohjeet ja ymmärtää turvamerkit ja niiden selitteet. Turvamerkit eivät itsessään poista vaaraa. Niiden antamat ohjeet ja varoitukset eivät korvaa asianmukaisia tapaturman torjuntatoimenpiteitä.

VAROITUS: Varmista, että luet ja ymmärrät kaikki tämän käyttäjän käsikirjan turvallisuusohjeet, mukaan lukien kaikki vaaramerkit, kuten **"VAARA"**, **"VAROITUS"** ja **"HUOMIO"**, ennen kuin käytät työkalua. Alla mainittujen ohjeiden noudattamatta jättäminen voi aiheuttaa sähköiskun, tulipalon ja/tai vakavan henkilövahingon.

MERKIN SISÄLTÖ

VAROITUSMERKKI: Ilmaisee seuraavia: **VAARA**, **VAROITUS TAI HUOMIO**. Voidaan käyttää yhdessä muiden merkkien tai kuvamerkkien kanssa.

VAROITUS: Minkä tahansa sähkötyökalun käyttö saattaa aiheuttaa vierasesineiden sinkoutumisen silmiin, mikä voi aiheuttaa vakavia silmävammoja. Käytä aina suojalaseja, joissa on sivusuojat, ja tarvittaessa koko kasvot peittävää suojaa, kun käytät sähkötyökaluja. Silmälasien päällä suosittelemme käytettäväksi suojamaskia, jossa on laaja näkökenttä, tai tavallisia suojalaseja, joissa on sivusuojat.

TURVALLISUUSOHJEET

Tällä sivulla esitetään ja kuvataan tähän tuotteeseen mahdollisesti liittyvät turvamerkit. Lue kaikki koneen ohjeet siten, että ymmärrät ne, ja noudata niitä ennen kuin kasaat koneen ja käytät sitä.

	Turvallisuusvaroitus	Turvallisuuteen liittyvät varotoimenpiteet.
	Lue käyttäjän käsikirja	Tapaturmariskin pienentämiseksi käyttäjän täytyy lukea ja ymmärtää käyttäjän käsikirja ennen tuotteen käyttöä.
	Varo teräviä teriä.	Terät jatkavat pyörimistä sen jälkeen, kun moottori on sammutettu - irrota erotuslaite ennen huoltoa. Sammuta ruohonleikkuri ja poista irrotettava akkuyksikkö (tai erotuslaite) ennen säätöä tai puhdistusta
	Pidä sivulliset etäällä	Varmista, että muut ihmiset ja lemmikkieläimet ovat vähintään 30m päässä ruohonleikkurista sen ollessa käytössä.
	Pidä jalat ja kädet pois	Pidä jalat ja kädet pois
	CE	Tämä tuote vastaa sovellettavia EU-direktiivejä.
	UKCA	Tämä tuote on Yhdistyneen kuningaskunnan lainsäädännön mukainen.
	WEEE	Vanhoja sähkölaitteita ei saa hävittää kotitalousjätteen mukana. Vie laite valtuutettuun kierrätyslaitokseen.
	Melu	Taattu äänitehotaso. Melupäästöt ympäristöön Euroopan yhteisön direktiivin mukaiset.
	IP-merkintä	Suojaus veden tunkeutumisista vastaan luokka 4

V	Voltti	Jännite
A	Ampeeria	Virta
Hz	Hertsi	Taajuus (sykliä sekunnissa)
W	Wattia	Teho
min	Minuuttia	Aika
	Vaihtovirta	Virran tyyppi
	Tasavirta	Virran tyyppi tai virtajännite-ominaiskäyrä
n_0	Tyhjäkäyntinopeus	Pyörimisnopeus, kuormittamattomana
... /min	Pyörintänopeus	Kierrosta minuutissa

YLEISET SÄHKÖTYÖKALUJEN TURVALLISUUSVAROITUKSET

VAROITUS: LUE KAIKKI TÄMÄN SÄHKÖTYÖKALUN MUKANA TULLEET TURVALLISUUSVAROITUKSET, OHJEET, PIIRUSTUKSET JA TEKNISET TIEDOT. Jos kaikkia alla olevia ohjeita ei noudateta, seurauksena saattaa olla sähköisku, tulipalo ja/tai vakava loukkaantuminen.

SÄILYTTÄ KAIKKI VAROITUKSET JA OHJEET MYÖHEMPÄÄ KÄYTTÖÄ VARTEN.

Varoituksissa käytetty termi ”sähkötyökalu” tarkoittaa joko verkkovirtakäyttöistä (johdollista) sähkötyökalua tai akkukäyttöistä (johdotonta) sähkötyökalua.

TYÖALUEEN TURVALLISUUS

- **Pidä työskentelyalue siistinä ja hyvin valaistuna.** Sotkuiset tai hämärät alueet aiheuttavat onnettomuuksia.
- **Älä käytä sähkötyökaluja räjähdysriskissä ympäristössä, kuten syttyvien nesteiden, kaasujen tai pölyn läheisyydessä.** Sähkötyökalut saattavat aiheuttaa kipinöitä, jotka voivat sytyttää tomun tai höyryjä.
- **Älä päästä lapsia tai sivullisia lähelle, kun käytät sähkötyökaluja.** Häiriötekijät voivat aiheuttaa hallinnan menettämisen.

SÄHKÖTURVALLISUUS

Sähkötyökalun pistotulpan on vastattava pistorasiaa. Älä ikinä muokkaa pistotulppaa millään tavalla. Älä käytä minkäänlaisia sovittipistotulppia maadoitettujen sähkötyökalujen kanssa.

Muokkaamattomat pistotulpat ja niihin sopivat pistorasiat vähentävät sähköiskun vaaraa

- **Vältä koskemasta vartalollasi maadoitettuihin pintoihin, kuten putkiin, lämmityspattereihin, liesiin ja jääkaappeihin.** Sähköiskun riski kasvaa, jos keho on maadoitettu.
- **Älä altista sähkötyökaluja sateelle tai kosteudelle.** Sähkötyökaluun pääsevä vesi lisää sähköiskun vaaraa.
- **Älä väärinkäytä johtoa. Älä koskaan kannata vedä laitetta johdosta tai irrota pistoketta pistorasiasta johdosta vetämällä.** Pidä johto poissa tulen, öljyn, terävien reunojen tai liikkuvien osien läheltä. Vahingoittuneet tai sotkeutuneet johdot lisäävät sähköiskun vaaraa.
- **Kun käytät sähkötyökalua ulkona, käytä ulkokäyttöön tarkoitettua jatkojohtoa.** Ulkokäyttöön tarkoitetun jatkojohdon käyttö vähentää sähköiskun riskiä.
- **Jos et voi välttää sähkötyökalun käyttöä kosteissa olosuhteissa, käytä vikavirtasuojakytkimellä (vsvk) suojattua virtalähdettä.** Vikavirtasuojakytkimen käyttö vähentää sähköiskun vaaraa.

HENKILÖKOHTAINEN TURVALLISUUS

- **Ole valpas, tarkkaavainen ja käytä maalaisjärkeä, kun käytät sähkötyökalua. Älä käytä sähkötyökalua, kun olet väsynyt tai kun olet huumeiden, alkoholin tai lääkeyksen vaikutuksen alaisena.** Hetkellinenkin huomion herpaantuminen sähkötyökalua käytettäessä saattaa aiheuttaa vakavan henkilökohtaisen vamman.
- **Käytä henkilönsuojaimia. Käytä aina silmäsuojaimia.** Suojavarusteiden, kuten hengityssuojaimen, luistamattomien turvakengien, suojakypärän tai kuulosuojaimien, käyttö tarvittaessa vähentää loukkaantumisvaaraa.
- **Estä vahingossa käynnistyminen. Varmista, että kytkin on off-asennossa, ennen kuin liität virtalähteen ja/tai akun, nostat laitteen tai kannat sitä.** Sähkötyökalujen kantaminen niin, että sormesi on kytkimellä, tai sähkötyökaluihin virran kytkeminen kytkin päällä voi aiheuttaa onnettomuuksia.
- **Poista kaikki säätöön käytetyt avaimet tai kiintoavaimet ennen kuin käynnistät sähkötyökalun.** Sähkötyökalun pyöriivään osaan jätetty avain tai kiintoavain saattaa aiheuttaa henkilövamman.

- **Älä kurkottele. Säilytä aina tukeva asento ja hyvä tasapaino.** Näin hallitset sähkötyökalun parhaalla mahdollisella tavalla odottamattomissa tilanteissa.
- **Pukeudu asianmukaisesti. Älä käytä väljiä vaatteita tai koruja. Pidä hiuksesi, vaatteesi ja käsineesi poissa liikkuvien osien läheltä.** Väljät vaatteet, korut tai pitkät hiukset voivat takertua liikkuviin osiin.
- **Jos laitteissa on liitännät pölynpoistolaitteille ja keräilylaitteille, varmista, että ne on liitetty ja niitä käytetään oikein.** Pölynpoistolaitteiden käyttö voi vähentää pölyyn liittyviä vaaroja.
- **Älä anna tuotteen tuttuuden toistuvan käytön takia tehdä sinua liian itsevarmaksi, äläkä jätä työkalun turvallisuusohjeita noudattamatta.** Huolimaton toiminta voi aiheuttaa vakavan henkilövahingon sekunnin murto-osassa.

FI

SÄHKÖTYÖKALUJEN KÄYTTÖ JA KUNNOSSAPITO

- **Älä pakota sähkötyökalua. Käytä omaan käyttötarkoitukseesi soveltuva sähkötyökalua.** Oikea sähkötyökalu suoriutuu parhaiten ja turvallisimmin tehtävästä sille tarkoitettulla nopeudella.
- **Älä käytä sähkötyökalua, jos sitä ei saa käynnistettyä ja suljettua kytkimellä.** Sähkötyökalun, jota ei voida hallita kytkimellä, käyttö on vaarallista ja laite on korjattava.
- **Irrota pistotulppa virtalähteestä ja/tai akku sähkötyökalusta ennen kuin teet mitään muutoksia, vaihdat apuvälineitä tai laitat sähkötyökalun varastoon.** Nämä estävät turvallisuustoimenpiteet vähentävät sähkötyökalun vahingossa käynnistämisen riskiä.
- **Säilytä käyttämättömiä sähkötyökaluja lasten ulottumattomissa, äläkä anna henkilöiden, jotka eivät tunne sähkötyökalua tai näitä ohjeita, käyttää sähkötyökalun.** Sähkötyökalut ovat vaarallisia kokemattomien käyttäjien käsissä.
- **Huolla sähkötyökalut ja lisävarusteet. Tarkista, että liikkuvat osat ovat kunnolla paikallaan, että osat ovat ehjiä, ja että sähkötyökalussa ei ole muita ongelmia, jotka saattaisivat vaikuttaa sen toimintaan. Jos sähkötyökalu on vahingoittunut, korjauta se ennen käyttöä.** Monet onnettomuudet johtuvat huonosti ylläpidetyistä sähkötyökaluista.
- **Pidä leikkuutyökalut terävinä ja puhtaina.** Oikein huolletut leikkuutyökalut, joissa on terävät leikkuureunat, eivät todennäköisesti jumiuudu, ja niitä on helpompi hallita.
- **Käytä sähkötyökaluja, lisävarusteita ja teriä yms. näiden ohjeiden mukaisesti ja niin, että**

otat huomioon käyttöolosuhteet ja tehtävän työn. Sähkötyökalujen käyttö muihin kuin niille suunniteltuihin tarkoituksiin saattaa aiheuttaa vaaratilanteen.

- **Pidä kahvat ja tartuntapinnat kuivina, puhtaina, öljyttöminä ja rasvattomina.** Liukkaat kahvat ja tartuntapinnat aiheuttavat vaaraa ja/tai työkalun hallinnan menettämisen.

AKKUTYÖKALUN KÄYTTÖ JA KUNNOSSAPITO

- **Lataa vain valmistajan määrittelemällä laturilla.** Tietynlaisen laturin käyttö tietynlaisen akun kanssa saattaa aiheuttaa tulipalon riskin, jos sitä käytetään toisenlaisen akun kanssa.
- **Käytä sähkötyökaluja vain niille erikseen määriteltyjen akkujen kanssa.** Muunlaisten akkujen käyttö saattaa aiheuttaa loukkaantumisen tai tulipalon vaaran.
- **Kun akku ei ole käytössä, pidä se erillään metalliesineistä, kuten paperiliittimet, kolikot, avaimet, naulat, ruuvit ja muut pienet metalliesineet, jotka voivat yhdistää akun navat toisiinsa.** Akun napojen oikosulku voi aiheuttaa palovammoja tai tulipalon.
- **Akusta voi valua nestettä väärästä käytöstä johtuen. Vältä kosketusta nesteeseen. Jos kosket nesteeseen vahingossa, huuhtelee vedellä. Jos nestettä pääsee silmiin, hakeudu lääkärin hoitoon.** Akusta valuva neste voi aiheuttaa ärsytystä tai palovammoja.
- **Älä käytä akkua tai työkalua, joka on vaurioitunut tai jota on muutettu.** Vaurioituneet tai muutetut akut voivat käyttäytyä arvaamattomasti ja aiheuttaa tulipalon, räjähdysken tai henkilövahingon vaaran.
- **Älä altista akkua tai työkalua tulelle tai äärimmäisille lämpötiloille.** Altistaminen yli 130 °C:n lämpötilalle voi aiheuttaa räjähdysken.
- **Noudata kaikkia latausohjeita. Älä lataa akkua tai työkalua lämpötilassa, joka ole ohjeissa ilmoitetun lämpötila-alueen sisällä.** Virheellinen lataaminen tai lataaminen ilmoitetun lämpötila-alueen ulkopuolella olevassa lämpötilassa voi vaurioittaa akkua ja lisätä palovaaraa.

HUOLTO

- **Huollata sähkötyökalusi asiantuntevalla korjaajalla, joka käyttää vain identtisiä varaosia.** Näin taataan sähkötyökalun turvallisuuden säilyminen.

- **Älä koskaan huolla vaurioituneita akkuja.** Akkujen huollon saa tehdä vain valmistaja tai sen valtuuttamat huoltoilikkeet.

AKKUKÄYTTÖISEN RUOHONLEIKKURIN TURVALLISUUSOHJEET

▲ VAARA: Tämä laite on tarkoitettu käytettäväksi tämän käyttöoppaan turvallisten käyttöohjeiden mukaisesti. Kuten kaikkien sähkölaitteiden yhteydessä, käyttäjän tekemä virhe tai yleinen huolimattomuus saattaa aiheuttaa vakavan vamman. Tämä laite voi vahingoittaa käsiä tai jalkoja ja singota irtoesineitä. Jos turvallisuusohjeita ei noudateta, seurauksena voi olla vakava vamma tai kuolema.

▲ VAROITUS: Kun käytät akkukäyttöisiä ruohonleikkureita, noudata aina perusturvallisuusohjeita. Niiden noudattaminen vähentää tulipalon, sähköiskun ja henkilövamman riskiä.

TÄRKEÄÄ

LUE KÄYTTÖOHJEET ENNEN KÄYTTÖÄ. SÄILYTÄ MYÖHEMPÄÄ TARVETTA VARTEN.

AKKUKÄYTTÖISTEN RUOHONLEIKKUREIDEN TURVALLISUUSOHJEET:

HUOMIO – ÄLÄ KOSKE PYÖRIVÄÄN TERÄÄN!

ENNEN KÄYTTÖÄ

- Lue ohjeet huolellisesti. Tutustu laitteen säätimiin ja oikeanlaiseen käyttöön.
- Älä anna ohjeisiin perehtymättömien henkilöiden tai lasten käyttää laitetta. Paikalliset säädökset saattavat rajoittaa käyttäjän ikää.
- Älä ikinä käytä ruohonleikkuria, kun lähellä on ihmisiä, erityisesti lapsia, tai lemmikkieläimiä.
- Käyttäjä on vastuussa onnettomuuksista tai vaaratilanteista, jotka tapahtuvat muille ihmisille tai heidän omaisuudelleen.

KÄYTÖN VALMISTELU

- Käytä ruohoa ajaessasi tukevia jalkineita ja pitkälahkeisia housuja.
- Älä käytä laitetta paljain jaloin tai avonaisina sandaalein. Vältä löysien vaatteiden tai sellaisten vaatteiden käyttöä, joissa on roikkuvia nauhoja tai solmuja.
- Tarkasta alue, jolla laitetta on tarkoitus käyttää. Poista kaikki kivet, oksat, rautalangat, luut ja muut vierasesineet.
- Tarkista aina ennen käyttöä, etteivät terät, terän pultit

ja leikkurikokoonpano ole kuluneet tai vahingoittuneet. Vaihda kuluneet tai vahingoittuneet terät ja pultit sarjoina, jotta laitteen tasapaino säilyy. Vaihda vahingoittuneet tai lukukelvottomat merkinnät.

KÄYTTÖ

- Leikkaa ruoho vain päivänvalossa tai hyvässä keinovalaistuksessa.
- Mikäli mahdollista, vältä laitteen käyttöä määrässä ruohikossa.
- Varmista, että seisot tukevasti rinteissä.
- Kävele, älä juokse.
- Renkaallisten pyörievien leikkureiden tapauksessa leikkaa ruoho rinteissä aina poikittaissuunnassa, ei koskaan ylös ja alas.
- Ole erittäin varovainen, kun vaihdat suuntaa rinteissä.
- Älä leikkaa ruohoa liian jyrkissä rinteissä.
- Ole erittäin varovainen, kun peruutat tai vedät laitetta itseäsi kohti.
- Pysäytä terät, jos laitetta on kallistettava ylitteäessäsi muita pintoja kuin ruohoa, ja kun kuljetat laitetta leikattavalle alueelle ja siitä pois.
- Älä koskaan käytä konetta viallisten suojusten kanssa tai ilman paikallaan olevia turvalaitteita, kuten ruohosuojuksia ja/tai ruohonkerääjiä.
- Käynnistä moottori ohjeiden mukaisesti niin, että jalat ovat riittävän kaukana teristä.
- Älä kallista laitetta, kun käynnistät moottoria, paitsi jos laitetta on kallistettava käynnistystä varten. Siinä tapauksessa kallista laitetta vain sen verran kuin on pakko, ja nosta vain sitä osaa, joka on kaukana käyttäjästä. Varmista, että molemmat kädet ovat käyttöasennossa ennen kuin palautat laitteen maan tasolle. Älä käynnistä laitetta, kun seisot poistoaukon edessä.
- Älä laita käsiä tai jalkoja pyörievien osien lähelle tai niiden alle. Pyörievien leikkureiden tapauksessa pidä huolta, että poistoaukko on aina puhdas.
- Älä koskaan nosta tai kanna laitetta, jonka moottori on käynnissä.
- Sammuta laite ja poista irrotettava akku (tai estolaite) ja varmista, että kaikki liikkuvat osat ovat pysähtyneet täysin ennen kuin säädät tai puhdistat laitetta:
 - Aina kun lähdet pois koneen luota;
 - Ennen kuin puhdistat tukoksen tai tyhjennät kourun;
 - Ennen kuin tarkastat tai puhdistat laitteen tai teet sille muita toimenpiteitä;
 - Vieraaseen esineeseen osumisen jälkeen. Tarkasta, onko laite vahingoittunut ja korjaa tarvittaessa.

- Jos laite alkaa täristä epänormaalisti (tarkasta heti):
 - Tarkasta vaurioiden varalta;
 - Vaihda tai korjaa kaikki vahingoittuneet osat;
 - Tarkasta ja kiristä mahdolliset löystyneet osat.

KUNNOSSAPITO JA SÄILYTYS

- Ole varovainen, kun säädät laitetta, etteivät sormesi jää puristuksiin liikkuvien terien ja laitteen kiinteiden osien väliin.
- Varmista, että kaikki mutterit, pultit ja ruuvit ovat tiukasti kiinni, jotta laite on turvallinen käyttää.
- Tarkasta ruohonkerääjä säännöllisesti kulumien tai heikkenemisen varalta.
- Vaihda kuluneet tai vahingoittuneet osat turvallisuusyhtiöstä.
- Lapset eivät saa puhdistaa tai huoltaa laitetta ilman aikuisen valvontaa.
- Huomioi terä huoltaessasi, että terät voivat silti liikkua vaikka virtalähde olisi pois päältä.
- Pyörivien leikkureiden tapauksessa varmista, että käytössä on vain oikean tyyppisiä leikkausosien varaosia.

HENKILÖKOHTAINEN TURVALLISUUS

Jos käyttäjä ei huomioi lasten paikallaoloa, saattaa tapahtua vakavia onnettomuuksia. Lasten mielestä leikkuri ja sen toiminta on usein kiehtovaa. He eivät ymmärrä miten vaarallinen se voi olla. Älä ikinä oletta, että lapset pysyvät siellä, missä heidät viimeksi näit.

- Pidä lapset poissa leikkuaalueelta ja toisen vastuuntuntoisen aikuisen valvonnassa.
- Ole tarkkaavainen ja sammuta leikkuri, jos lapsi tulee alueelle.
- Ole erityisen varovainen, kun lähestyt kulkimia, oviaukkoja, pensaita, puita tai muita kohtia, jotka voivat estää ruohonleikkurin eteen ryntäävää lasta näkyvästä.
- Lapsia tulee valvoa, jotta he eivät leiki leikkurin kanssa.
- Sammuta leikkuri aina, kun poistat akun työkalusta. Pysäytä terät, jos laitetta on kallistettava kuljetusta varten muilla pinnoilla kuin nurmella, ja kun kuljetat laitetta leikattavalle alueelle ja siitä pois.

KÄYTTÖ

YLEINEN KÄYTTÖ:

- Lue tämä käyttöopas kokonaisuudessaan ennen kuin yrität koota laitetta. Lue, ymmärrä ja noudata kaikkia koneen ja käyttöoppaan ohjeita ennen kuin yrität käyttää sitä. Tutustu laitteen säätimiin ja oikeanlaiseen käyttöön ennen sen käytön aloittamista. Säilytä tämä käyttöopas turvallisessa paikassa, jotta voit tulevaisuudessa tarkistaa siitä tietoja ja tilata varaosia.

- Käytä oikeaa laitetta – Älä käytä ruohonleikkuria muunlaisiin töihin kuin sellaisiin, joihin se on tarkoitettu.
- Älä kurota liian pitkälle – varmista, että asentosi ja jalansijasi ovat aina vakaat.
- Ruohonleikkurin terän sinkoamat esineet voivat aiheuttaa vakavia henkilövammoja. Nurmikko tulee aina tutkia tarkkaan ja siitä tulee poistaa kaikki vieraat esineet ennen leikkausta.
- Varmista ennen peruuttamista ja sen aikana taakse- ja alaspäin katsomalla, ettei lapsia tai muita ihmisiä ole tiellä
- Tämä laite ei ole leikkikalu. Ole siis aina erittäin varovainen sen kanssa. Laite on tarkoitettu yhteen tarkoitukseen: ruohon leikkaamiseen. Älä käytä sitä mihinkään muuhun tarkoitukseen.
- Älä pakota ruohonleikkuria – tee työn paremmin ja turvallisemmin laitteelle tarkoitetulla teholla.
- Tarkasta aina ennen käyttöä, etteivät terät, terän pultit ja leikkurikokoonpano ole kuluneet tai vahingoittuneet. Vaihda kuluneet tai vahingoittuneet terät ja pultit samanaikaisesti, jotta laitteen tasapaino säilyy. Vaihda vahingoittuneet tai lukukelvottomat merkinnät.
- Ole erittäin varovainen, kun peruutat tai vedät laitetta itseäsi kohti.
- Tarkasta alue, jossa laitetta on tarkoitus käyttää. Poista kaikki kivet, oksat, rautalangat, lelut ja muut vierasesineet, joihin voi kompastua tai jotka voivat sinkoutua leikkurin terästä. Sinkoutuneet esineet saattavat aiheuttaa vakavan henkilövamman. Suunnittele leikkureitti niin, että väitit leikkurijätteen tyhjentymisen teille, jalkakäytävälle, sivullisten päälle jne. Vältä myös leikkurijätteen suuntautumista seinäin tai esteisiin, joista se saattaa sinkoutua takaisin käyttäjää kohti.
- Väitit teräkosketuksen ja vammat sinkoutuneista esineistä, kun pysyt käyttäjäalueella kahvojen takana. Pidä lapset, sivulliset ja lemmikit vähintään 30 m:n päässä käytössä olevasta leikkurista. Sammuta laite, jos joku tulee tuolle alueelle.
- Käytä aina suojalaseja käytön aikana ja kun säädät laitetta tai korjaat sitä. Kimmonneet tai sinkoutuneet esineet saattavat aiheuttaa vakavia silmävammoja. Käytä aina hengityssuojainta, jos työ on pölyistä.
- Pukeudu asianmukaisesti – älä käytä löysiä vaatteita tai koruja. Ne voivat juuttua liikkuviin osiin. Kumihanskojen ja jalkineiden käyttöä suositellaan ulkona työskennellessä. Käytä tukevia kenkiä, joissa on kuvioitu pohja, ja istuvia housuja ja paitoja.

Suosittellemme paitoja, jotka peittävät käsivarret, housuja, jotka ovat nilkkoihin asti, ja teräskärkisiä kenkiä. Älä ikinä käytä tätä laitetta paljain jaloin, sandaaleilla tai liukkailla tai kevyillä (esim. kankaisilla) kengillä.

- Älä laita käsiä tai jalkoja pyörievien osien lähelle tai leikkauskannen alle. Terään koskeminen saattaa vahingoittaa käsiä ja jalkoja.
- Puuttuva tai vahingoittunut poistokansi saattaa aiheuttaa kosketuksen teriin tai vammoja sinkoutuneista esineistä.
- Monet vammat tapahtuvat silloin, kun leikkuri osuu jalkaan käyttäjän liukastuessa tai kompastuessa. Älä pidä kiinni leikkurista kun kaadot, päästä kahvasta irti välittömästi.
- Älä koskaan vedä leikkuria itseäsi kohden, kun kävelet. Jos sinun täytyy peruuttaa ruohonleikkuri seinästä tai esteestä, katso ensin maahan ja taaksesi, jotta vältät kompastumisen, ja toimi sen jälkeen seuraavasti:
 - Astu taaksepäin leikkurista, kunnes kätesi ovat täysin suorana.
 - Varmista, että olet täysin tasapainossa ja seisot tukevasti.
 - Vedä leikkuria taaksepäin hitaasti korkeintaan puoleen väliin sinun ja leikkurin alkuperäisestä matkasta.
 - Toista nämä vaiheet tarvittaessa.
- Älä käytä leikkuria, kun olet huumeiden tai alkoholin vaikutuksen alaisena.
- Ole valpas – tee työ tarkkaavaisesti. Käytä maalaisjärkeä. Älä käytä ruohonleikkuria, kun olet väsynyt.
- Moottorin/terän hallintakahva on turvallisuuslaite. Älä ikinä yritä ohittaa sen toimintaa. Saatat aiheuttaa turvallisuuslaitteen toimimattomuuden ja siten aiheuttaa henkilövamman, koska pyöriivään terään voi koskea. Moottorin/terän hallintakahvan on oltava helposti käytettävissä molemmissa suunnissa ja automaattisesti palauduttava vapaaseen asentoon vapautettaessa.
- Vältä vaarallisia olosuhteita – älä käytä ruohonleikkureita kosteissa tai märissä olosuhteissa.
- Älä käytä sateessa.
- Varmista, että seisot tukevasti. Liukastuminen ja kaatuminen saattavat aiheuttaa vakavan henkilövamman. Jos sinusta tuntuu, että olet kaatumassa, vapauta moottorin/terän hallintakahva välittömästi ja terä lopettaa pyörimisen kolmen

sekunnin kuluessa.

- Pysäytä terä, kun ylität soralla päällystettyjä teitä tai polkuja.
- Jos laite alkaa täräistä poikkeavasti, pysäytä moottori ja tarkasta välittömästi syy. Tärinä on yleensä merkki häiriöistä.
 - Tarkasta vaurioiden varalta;
 - Vaihda tai korjaa kaikki vahingoittuneet osat, jotka käyttäjä voi itse vaihtaa;
 - Tarkasta ja kiristä mahdolliset löystyneet osat.
- Älä koskaan käytä leikkuria ilman sopivaa ja toimivaa lokasuojaa, poistokantaa, ruohopussia, maankattolisäkettä, sivulla olevaa poistosuppiltoa, moottorin/terän hallintakahvaa tai muuta suojaavaa turvallisuuslaitetta. Älä koskaan käytä leikkuria, jonka turvallisuuslaitteet ovat vahingoittuneet. Tämän ohjeen noudattamatta jättäminen saattaa aiheuttaa henkilövammoja.
- Jos kohtaat tilanteen, jota ei tässä käyttöoppaassa käsitellä, toimi varoen ja käytä omaa harkintakykyäsi. Pyydä lisäohjeita EGO-asiakaspalvelusta.
- Akku tulee poistaa laitteesta ennen laitteen hävittämistä.
- Akku tulee hävittää turvallisesti.

KÄYTTÖ RINTEESSÄ:

Rinteet ovat merkittävä tekijä liukastumis- ja kaatumisonnettomuuksissa, jotka saattavat aiheuttaa merkittävän vamman. Varmista, että seisot tukevasti rinteissä. Käyttö rinteissä vaatii erityistä tarkkaavaisuutta. Jos et tunne oloasi turvallisiksi rinteessä, älä aja ruohoa rinteestä.

Tee:

- Leikkaa ruoho aina rinteen sivusuunnassa, älä ylhäältä alas. Ole erittäin varovainen, kun vaihdat suuntaa rinteessä.
- Varo kuoppia, uurteita, piilossa olevia esineitä tai kumpuja, jotka saattavat aiheuttaa liukastumisen tai kompastumisen. Pitkä ruohikko saattaa piilottaa esineitä.

Älä:

- Leikkaa ruohoa lähellä kielekkeitä, oja tai penkereitä; saatat menettää tasapainosi tai astua harhaan.
- Älä leikkaa ruohoa rinteiltä, jotka ovat jyrkempiä kuin 15 astetta.
- Älä leikkaa märkää ruohoa. Huono jalansija saattaa aiheuttaa liukastumisen.

HUOLTO

VAROITUS: Ruohopussiosat, poistoluukku, sivulla oleva poistosuppilo, silppuriosat ja lokasuojat voivat kulumaa ja vahingoittua, mikä saattaa aiheuttaa liikkuvien osien näkymistä tai esineiden sinkoutumista ja näin lisätä vammariskiä. Turvallisuussyistä tarkasta kaikki komponentit säännöllisin väliajoin ja vaihda vahingoittuneet komponentit välittömästi identtisiin varaosiin, jotka on lueteltu tässä käyttöoppaassa. Ota yhteyttä EGO-asiakaspalveluun tai lähimpään EGO-huoltokeskukseen, niin asiantunteva huoltoteknikko tekee korjaukset tai vaihdot!

- Jos leikkurin sisänrakennettu ylikuormitussuojakytkin naksauttaa käyttöön jatkuvasti, ota yhteyttä EGO-asiakaspalveluun tai lähimpään EGO-huoltokeskukseen.
- Älä pese leikkuria kasteluletkulla; vältä veden pääsyä moottoriin tai elektronisiin liitäntöihin.
- Poista avain ja varasto käyttämätön ruohonleikkuri sisätiloissa. Anna moottorin jäähtyä, ennen kuin varastoit laitteen suljettuun tilaan. Ruohonleikkuria tulee säilyttää kuivassa paikassa, korkealla tai lukitussa tilassa, poissa lasten ulottuvilta.
- Käytä huollossa vain identtisiä varaosia, jotka luetellaan tässä käyttöoppaassa. Sellaisen osien käyttö, jotka eivät vastaa alkuperäisiä laitemäärittäjiä, saattaa aiheuttaa vääranlaisen toiminnan ja heikentää turvallisuutta.
- Poista tai irrota akku ennen kuin huollat, puhdistat tai poistat materiaalia ruohonleikkurista.
- Noudata ohjeita, kun vaihdat lisävarusteita.
- Pidä kahvat kuivina, puhtaina, öljyttöminä ja rasvattomina.
- Tulipalovaaran vähentämiseksi pidä moottorin kansi puhtaana ruohosta, lehdistä ja irtaaineksesta.
- Tarkasta terän ja moottorin kiinnityspulttien oikea kireys säännöllisin väliajoin. Tarkista terä myös silmämääräisesti vaurioiden (esim. taipumisen, säröilyn tai kulumisen) varalta. Vaihda terä vain identtiseen varaterään, joka löytyy tämän käyttöoppaan luettelosta.
- Kunnossapidä leikkuriasi huolellisesti – pidä leikkurin terä terävänä ja puhdistat se, jotta laite toimisi mahdollisimman hyvin ja turvallisesti. Leikkurin terät ovat teräviä ja voivat aiheuttaa viiltoja. Kääri terä suojaan tai käytä hanskoja ja ole erityisen varovainen, kun huollat terää.
- Älä ikinä poista tai muokkaa turvallisuuslaitteita. Tarkasta niiden oikea toiminta säännöllisesti. Älä koskaan tee mitään, mikä saattaa aiheuttaa häiriöitä turvallisuuslaitteen suunniteltuun toimintaan tai vähentää turvallisuuslaitteen suojaavuutta.

- Pysäytä moottori aina ennen kuin säädät rengasta tai leikkukorkeutta.
- Jos osut vieraaseen esineeseen, sammuta moottori, poista avain ja tutki leikkuri perusteellisesti vahinkojen varalta. Korjaa vahingot ennen kuin käytät leikkuria.
- Ylläpidä tai vaihda turvallisuus- ja ohjemerkinnyt tarpeen mukaan. Ota yhteyttä EGO-asiakaspalveluun tai lähimpään EGO-huoltokeskukseen, niin asiantunteva huoltoteknikko tekee korjaukset tai vaihdot!
- **SÄILYTÄ NÄMÄ OHJEET!** Lue ohjeet säännöllisesti ja käytä niitä muiden työkalujen käyttäjien ohjeistamisessa. Jos lainaa tämän laitteen jollekulle muulle, lainaa samalla myös nämä ohjeet laitteen väärinkäytön tai mahdollisen vamman estämiseksi.

AKUN KÄYTTÖ JA YLLÄPITO

- Suojele luonnonvaroja ja kierrätä tai hävitä akut oikeaoppisesti. Tämä tuote sisältää litium-ioniakun. Paikalliset ja kansalliset lait kieltävät litium-ioniakkujen hävittämisen kotitalousjätteen seassa. Kysy neuvoa paikallisilta jätehuollon asiantuntijoilta, jos et tiedä miten akku tulee kierrättää ja/tai hävittää.
- Kun poistat akun hävitystä tai kierrätystä varten, peitä akun navat kestäväillä teipillä. Älä yritä tuhota tai purkaa akkua tai poistaa mitään sen komponentteja. Litium-ioniakut tulee kierrättää tai hävittää oikeaoppisesti. Älä myöskään koske napoihin metalliesineillä ja/tai rungon osilla, koska se saattaa aiheuttaa oikosulun. Pidä poissa lasten ulottuvilta. Näiden ohjeiden noudattamatta jättäminen voi aiheuttaa tulipalon ja/tai vakavan vamman.
- **AKUSTA VOI VALUA NESTETTÄ VÄÄRÄSTÄ KÄYTTÖSTÄ JOHTUEN. VÄLTÄ KOSKETUSTA NESTEESÄEN. JOS KOSKET NESTEESÄEN VAHINGOSSA, HUUHTELE VEDELLÄ. JOS NESTETTÄ PÄÄSEE SILMIIN, HAKEUDU LÄÄKÄRIN HOITOON.** Akusta valuva neste voi aiheuttaa ärsytystä tai palovammoja.

FI

MÄÄRITYKSET

Mallinumero	LM2020E	LM2020E-SP	
Automaattinen työntöjärjestelmä	Ei	Kyllä	
Jännite	56 V	56 V	
Nopeus ilman vastusta	3000 /min	3000 /min	
Leikkauskorkeus	25-95 mm	25-95 mm	
Suositteltu käyttölämpötila:	0°C-40°C	0°C-40°C	
Suositteltu säilytyslämpötila:	-20°C-70°C	-20°C-70°C	
Leikkauskorkeuden asennot	6	6	
Kannen koko	51 cm	51 cm	
Leikkausleveys	50 cm	50 cm	
Ruohopussin tilavuus	60 L	60 L	
Leikkurin paino (ilman akkua, maankattolisäke)	24,4 kg	27,2 kg	
Terämalli	AB2001	AB2001	
Mitattu äänen tehotaso L_{WA}	91,5 dB(A) K=1,80 dB(A)	91,0 dB(A) K=1,89 dB(A)	
Äänenpaineen taso käyttäjän korvien tasolla L_{PA} K=3 dB(A)	79,5 dB(A)	79,2 dB(A)	
Taattu äänen tehotaso L_{WA} (2000/14/EC:n mukaisesti)	93 dB(A)	93 dB(A)	
Värinä a_h K=1,5 m/s ²	Vasen kahva	≤2,5 m/s ²	≤2,5 m/s ²
	Oikea kahva	≤2,5 m/s ²	≤2,5 m/s ²
Terän jarru	Kyllä	Kyllä	

- Ilmoitettu värinän kokonaisarvo on mitattu standardikoemenetelmän mukaan ja sitä voidaan käyttää verrattaessa työkaluja keskenään
- Ilmoitettua värinän kokonaisarvoa voidaan myös käyttää altistumisen ennakoarvioinnissa.

HUOMAA: Sähkötyökalun todellisen käytön aikana ilmenevä värinä voi erota työkalun käytölle ilmoitetusta arvosta. Käyttäjän suojelemiseksi on todellisissa käyttöolosuhteissa käytettävä käsiineitä ja kuulosuojaimia.

PAKKAUSLUETTELO

OSAN NIMI	MÄÄRÄ
Ruohonleikkuri	1
Ruohopussi	1
Ruohopussin kehys	1
Silppuri	1
Sivuosan ulosheittokouru	1
Turva-avain	1
Käyttäjän käsikirja	1

KUVAUS

TUNNE LEIKKURISI (kuvat A, B, C, D ja E)

- Vapautuskytkin (kytkinvipu)
- Kahva
- Turvallisuuspainike
- Automaattisen työnnön liipaisin
- Kahvan lukituskieristin
- Ruohopussi
- Leikkauskorkeuden säätövipu
- Takarengas
- Sivulla oleva poistoluukku
- Leikkurin kansi
- LED-ajovalot
- Kansisuojaus
- Etukahva
- Akun kansi
- Takakahva
- Pikasäädin
- Takana oleva poistoluukku
- Sivukisko
- Automaattisen työnnön nopeudensäädinvipu
- Lokasuoja
- LED-ajovalojen kytkinpainike
- Virran merkkivalo
- Akun vapautuspainike
- Turva-avaimen avaimenreikä
- Maankattolisäke
- Sivulla oleva poistosupplio

FI

KÄYTTÖ

RUOHOPUSSIN KOKOAMINEN

- 1) Liu'uta ruohopussi kehykseen (kuva F).
- 2) Kiinnitä yläkiinnikkeet kehykseen (kuva G) kiinnitä sen jälkeen kaksi sivukiinnikettä. Kiinnitä alakiinnike viimeisenä.
- 3) Valmiiksi koottu ruohopussi on esitetty kuvassa H.

TAITETTAVAN KAHVAN SÄÄTÄMINEN

VAROITUS: Älä yritä käynnistää leikkuria ennen kuin kahva on lukittu johonkin esiasetetuista käyttöasenoista (YLEMPI KÄYTTÖASENTO, KESKITASON KÄYTTÖASENTO ja YLEMPI KÄYTTÖASENTO).

FI

Leikkurin kahva on kuljetettaessa tilaa säästävässä, LUKITUSSA VARASTOASENNOSSA (kuva I).

- 1) Paina pohjassa pikasäädintä, niin kahva vapautuu LUKITUSTA VARASTOASENNOSTA.
- 2) Nosta kahva taitetusta asennosta ja vapauta säädin. Käännä säädintä ylös, kunnes kuulet ja tunnet lukkopinnin lukittuvan johonkin kuvan J osoittamista asennoista.

Kuva J osien kuvaus alla:

J-1	Lukittu varastoasento
J-2	Ruohopussin liittämisen/-poistamisasento
J-3	Ylempi käyttöasento
J-4	Keskitalon käyttöasento
J-5	Alempi käyttöasento

RUOHOPUSSIN/SILPPURIN LIITTÄMINEN/POISTAMINEN

VAROITUS: Älä ikinä tee muutoksia ruohonleikkuriin ilman, että ensin sammutat moottorin, poistat turva-avaimen ja odotat, että terä lopettaa pyörimisen.

HUOMAA: Liitä mikä tahansa osa ruohonleikkuriin ennen leikkaamista.

■ Ruohopussin liittämisen/irrottaminen (kuva K)

Säädä kahva sopivaan käyttöasentoon. Nosta takana oleva poistoluukku ja kiinnitä ruohopussi kääntyvään tankoon. Ruohopussin voi poistaa nostamalla se pois tangosta. Vapauta viimeiseksi takana oleva poistoluukku.

HUOMAA: Poista esiasennettu maankattolisäke leikkurista ennen kuin liität leikkuriin ruohopussin.

■ Silppurin liittämisen/irrottaminen (kuva L)

Nosta takana oleva poistoluukku ja aseta maankattolisäke leikkuriin. Poista se vetämällä se ulos. Vapauta viimeiseksi takana oleva poistoluukku.

■ Sivulla olevan ulosheittokourun/poistaminen (kuva M)

Nosta sivulla oleva poistoluukku. Aseta poistoluukun aukko poistoluukun tapin kohdalle ja vapauta ote poistoluukusta varovaisesti niin, että se pyörii kääntyvässä tangossa, kunnes se lepää tukevasti poistosuppilon päällä. Poista se nostamalla sivulla oleva poistoluukku ja nostamalla sivulla oleva poistosuppilo luukun kokoonpanotapista.

Kuva M osien kuvaus alla:

M-1	Sivulla oleva poistoluukku
M-2	Kokoonpanotappi
M-3	Kokoonpanoaukko
M-4	Sivulla oleva poistokouru
M-5	Tappi

HUOMAA: Maankattolisäke on asennettava, kun sivulla oleva poistosuppilo on kiinnitetty.

LEIKKAUSKORKEUDEN SÄÄTÄMINEN (kuva N)

VAROITUS: Pidä jalat etäällä rungosta, kun säädät sen korkeutta. Ruohonleikkuri voidaan asettaa 6 eri leikkuukorkeudelle 25-95 mm välille. Valitse oikea leikkuukorkeus ruohotyypin ja nurmikon olosuhteiden mukaan.

HUOMAA: Varmista työkalua liikuttaessasi, että leikkuukorkeus on säädetty vähintään asentoon 3. Varoituksen noudattamatta jättäminen voi aiheuttaa terän vaurioitumisen.

AKKUKYSIKÖN KIINNITYS/IRROTUS (kuva O)

Käytä vain kuvassa A lueteltujen akkujen ja latureiden kanssa.

LATAA ENNEN ENSIMMÄISTÄ KÄYTTÖÄ.

VAROITUS: Jos jokin osa on rikkoutunut tai puuttuu, älä yritä kiinnittää akkuyksikköä ruohonleikkuriin tai käyttää ruohonleikkuria ennen kuin rikkoutuneet tai puuttuvat osat on korvattu. Varoituksen noudattamatta jättäminen voi aiheuttaa vakavan henkilövahingon.

■ Liittäminen

Työnnä akkuyksikköä, kunnes kuulet napsahduksen.

■ Poistaminen

Paina akkusiossa olevaa akun vapautuspainiketta ja vedä akku ulos.

Kuva 0 osien kuvaus alla:

0-1	Turva-avaimen avaimenreikä
0-2	Turva-avain
0-3	Akun vapautuspainike

huomaa: Varmista ennen käytön aloittamista, että ruohonleikkurin salpa napsahtaa paikalleen ja että akkuyksikkö on kiinnitetty ruohonleikkuriin.

LEIKKURIN KÄYNNISTÄMINEN/SAMMUTTAMINEN

VAROITUS: Vierasesineitä voi ruohonleikkurien käytön seurauksena lentää omiin silmiisi tai muiden silmiin, jolloin silmiin voi tulla vakavia silmävammoja. Pidä aina suojalaseja käyttäessäsi ruohonleikkuria ja tehdessäsi siihen säätöjä tai korjauksia.

VAROITUS: Varmista, että muut ihmiset ja lemmikkieläimet ovat vähintään 30m päässä ruohonleikkurista sen ollessa käytössä.

VAROITUS: Terä jatkaa muutaman sekunnin pyörimistä sen jälkeen, kun ruohonleikkuri on sammutettu. Anna moottorin/terän pysähtyä ennen kuin käynnistät sen uudelleen. Älä käynnistä ja sammuta ruohonleikkuria nopeasti.

TURVA-AVAIN

Leikkuriin on sisällytetty poistettava turva-avain, joka estää laitteen käynnistämisen vahingossa tai langattoman leikkurin luvattoman käytön. Leikkuria ei voi käyttää, jos turva-avain ei ole leikkurissa.

VAARA: Pyörivät terät voivat aiheuttaa vakavan vamman. Vakavien vammojen välttämiseksi poista turva-avain aina, kun leikkuri on vartioimatta tai kun säädät, puhdistat, huollat, kuljetat, nostat tai varastoit leikkurin.

HUOMAA: Moottorin voi käynnistää vain, jos.

- Kahva on lukittu toiseen käyttöasentoon
- Sivukiskot ovat täydessä pituudessaan (kuva P).
- Molemmat vihreät kahvan lukituskiinnikkeet on lukittu kunnolla (kuva Q).

Q-1	osoitus line
-----	--------------

HUOMAUTUS: Älä yritä ohittaa turvapainikkeen tai vapautuskytkimen toimintaa

Käynnistys

- 1) Liitä akku leikkuriin, aseta turva-avain avaimenreikään ja sulje akun kansi (kuva O).
- 2) Paina turvapainike pohjaan kuvan R mukaisesti.

- 3) Samalla kun turvapainiketta painetaan pohjaan, vedä vapautuskytkintä ylös kahvaan asti ja päästä sitten turvapainike irti. (Kuva S)

Sammutus

- 1) Vapauta ajokytkin.
- 2) Automaattisen jarrulaitteiston sähköjarru pysäyttää terän pyörimisen 3 sekunnin kuluessa ajokytkimen vapauttamisesta.

AUTOMAATTINEN VETOJÄRJESTELMÄ (LM2020E-SP)

LM2020E-SP-leikkurissa on automaattinen vetomahdollisuus. Järjestelmä on erillinen terän virtakytkimestä; se ei ole riippuvainen terien pyörimisestä.

Jos haluat käyttää järjestelmää ilman, että terät pyörivät, vedä automaattisen työntötoiminnon liipaisinta kahvaa kohti. Kun päästät irti automaattisen työntötoiminnan liipaisimesta, automaattinen työntötoiminta sammuu.

Järjestelmän nopeus on vaihteleva. Jos haluat lisätä nopeutta, siirrä automaattisen vetotoiminnon nopeusvipua eteenpäin. Jos haluat vähentää nopeutta, siirrä automaattisen vetotoiminnon nopeusvipua taakse (kuva T).

Leikkuukäyttö pyörivien terien kanssa:

1. Käynnistä leikkuri.
2. Pidä vapautuskytkintä kahvaa vasten vasemmalla kädelläsi ja vedä samalla automaattisen työntötoiminnon liipaisinta kahvaa kohti oikealla kädelläsi.
3. Pidä sekä vapautuskytkintä että automaattisen työntötoiminnan liipaisinta samanaikaisesti kahvaa vasten oikealla kädelläsi ja käytä vasenta kättäsi säätämään automaattisen työntötoiminnon nopeusvipua halutulla tavalla.

VAROITUS: Vammariskin vähentämiseksi älä ikinä yritä ohittaa kytkintä tai automaattista vetokytkintä. Automaattinen vetotoiminto on tarkoitettu vain suunniteltuun käyttötarjoitukseensa.

LEIKKURIN LED-AJOVALOT(kuva. A-13)

Paina vaihtopainiketta (kuva C-22) syyttääksesi/sammuttaaksesi LED-ajovalot akkuosion etuosassa.

LEIKKURIN VIRRRAN MERKKIVALO (kuva U)

Ruohonleikkuri on varustettu virran tilan osoittimella, joka ilmaisee akkuyksikön varauksen tilan ja ruohonleikkurin työskentelytilan. Virran tilan osoitin syytty, kun terä pyörii tai kun LED-työvalot palavat.

Ruohonleikkurin virran tilan osoitin	Merkitys	Toimenpide
Palaa vihreänä	Ruohonleikkuri toimii asianmukaisesti; akun varausta on jäljellä vähintään 15%	n/a
Palaa punaisena	Matala akun varaus	Sammuta ruohonleikkuri ja lataa akkuyksikkö
Viikkuu punaisena	Akkuyksikkö on lähes tyhjä	Sammuta ruohonleikkuri ja lataa akkuyksikkö
Palaa oranssina	Ruohonleikkuri tai akkuyksikkö on ylikuumentunut	Irrota akku ruohonleikkurista, siirrä molemmat varjoon ja anna niiden jäähtyä vähintään 15 minuuttia
Viikkuu oranssina	Ruohonleikkuri on ylikuormittunut	Leikkaa hitaammin tai pienennä kuormitusta nostamalla leikkauskorkeutta

LEIKKURIN YLIKUORMITUSSUOJAUS

Ylikuormituksen välttämiseksi vältä liian suurten ruohikkoalueiden leikkaamista kerralla. Hidasta leikkaustahtia tai nosta leikkauskorkeutta.

Leikkurissa on sisäänrakennettu ylikuormitussuojaus. Kun leikkuri on ylikuormittunut, moottori sammuu ja leikkurin virran merkkivalo vilkkuu oranssina. Poista akku leikkurista. Tarkista, onko kannen alle kertynyt ruohoa ja poista se tarvittaessa. Asenna sitten akku takaisin ja käynnistä leikkuri uudelleen.

AKUN KORKEAN LÄMPÖTILAN SUOJA

Akkuyksikkö tuottaa lämpöä käytön aikana. Lämpö haihtuu pois hitaammin kuumalla säällä. Jos akun lämpötila ylittää 70°C käytön aikana, suojauspiiri sammuttaa välittömästi ruohonleikkurin akkuyksikön suojelemiseksi vaurioitumiselta. Ruohonleikkurin virran tilan osoitin palaa oranssina.

Vapauta ajokahva, odota kunnes akkuyksikkö jäähtyy n. 67°C:n lämpötilaan ja käynnistä ruohonleikkuri sen jälkeen uudelleen.

YLLÄPITO

VAROITUS: Poista turva-avain ja akku leikkurista aina, kun kokoat osia, teet muutoksia tai puhdistat laitetta vakavan henkilövammaan välttämiseksi.

VAROITUS: Käytä huollon yhteydessä vain valmistajan hyväksymiä varaosia. Muiden osien käyttö voi aiheuttaa vaaran tai vahingoittaa tuotetta. Valtuutetun huoltoteknikon tulee suorittaa kaikki korjaukset ja vaihdot, jotta voidaan taata tuotteen turvallinen ja luotettava käyttö.

LEIKKURIN PUHDISTUS

VAROITUS: Poista aina turva-avain ja akku, kun huollat tai kuljetat leikkuria.

Leikkurin kannen alaosa tulee puhdistaa jokaisen käyttökerran jälkeen, sillä ruoho, lehdet, lika ja muu irtoaines kertyvät sinne. Tämä kertyminen aiheuttaa metalliosien ruostumista ja syöpmistä ja vähentää leikkurin leikkaustehoa.

Poista kaikki kertynyt ruoho ja lehdet ajoakselin ympäriltä (vain LM2020E-SP) ja moottorituulettimesta (älä käytä vettä). Puhdista leikkuri kostealla liinalla.

TERÄN POISTAMINEN/ASENTAMINEN

VAROITUS: Suojaa aina kätesi paksuilla käsineillä tai käärimällä leikkauspinnat riepuihin tai muihin materiaaleihin silloin, kun teet ylläpitotöitä leikkurin terälle.

Terän poistaminen(kuva W)

HUOMAA: Jos pultti pyörii moottorin akselin kanssa, kun pulttia löysätään, käännä tuuletinta käsin, kunnes tuulettimen aukot ovat samassa linjassa terän aukkojen kanssa, ja laita toinen metallitanko reikiin.

Terän asentaminen

Seuraa kuvan V kokoonpanojärjestystä: kun tuulettimen terä on kohti kantta ja kuviollinen terän puoli kohti ulkopuolta, linjaa tuulettimen aukot terän aukkoihin (kuva X) ja kiristä sitten terä kuvan X osoittamalla tavalla.

Kuvien V ja W osien kuvaus alla:

V-1	Tuuletin	V-5	Pultti
V-2	Sisälaiippa	W-1	Vakain 1
V-3	Terä	W-2	Vakain 2
V-4	Ulkolaiippa	W-3	14 mm:n kiintoavain

HUOMAA: Suositeltu momentti terän pultin kiristämiseksi on 49–59Nm.

LEIKKURIN SÄILYTYS

- Irrota akkuyksikkö ruohonleikkurista ja varastoi se viileään ja kuivaan tilaan. Älä säilytä sitä syövyttävien materiaalien, kuten lannoitteiden tai suolan, vieressä.
- Varastoi ruohonleikkuri katettuun, suljettuun tilaan, joka on viileä ja kuiva ja lasten ulottumattomissa.
- Älä peitä ruohonleikkuria yhtenäisellä muovipressulla. Muovipäälysteet pidättävät kosteutta ruohonleikkurin ympärille, mikä aiheuttaa ruostetta ja korroosiota.
- Leikkuri voidaan varastoida litteään tai pystyasennossa (kuva Z).

VAROITUS: Jos ruohonleikkuri alkaa kaatua kumoon pystysuorasta asennosta, ruohonleikkuri voi vaurioitua tai voi aiheutua henkilövahinko. Pidä ruohonleikkuri aina vakaana ja lasten ulottumattomissa, kun se on pystysuorassa asennossa. Jos mahdollista, varastoi se vaakasuoraan.

Ympäristönsuojelu



Älä hävitä sähkölaitteita, akun latauslaitteita ja akkuja/ladattavia akkuja kotitalousjätteen mukana!

Euroopan parlamentin ja neuvoston direktiivin 2012/19/EU mukaan sähkö- ja elektroniikkalaitteet, jotka eivät ole enää käyttökelpoisia, ja Euroopan parlamentin ja neuvoston direktiivin 2006/66/EY mukaan vialliset tai käytetyt akkuyksiköt/ akut täytyy kerätä erikseen.

Jos sähkölaitteet hävitetään viemällä kaatopaikoille tai roskaläjiin, vaarallisia aineita voi vuotaa pohjaveteen ja päästä ravintoketjuun ja vahingoittaa täten ihmisten terveyttä ja hyvinvointia.

FI

VIANETSINTÄ

VAROITUS: Poista aina turva-avain ja akkuyksikkö, kun huollat tai kuljetat ruohonleikkuria. Suojaa aina käsiäsi käyttämällä paksuja käsineitä tai kietomalla leikkusärmiin rättejä tai muita materiaaleja, kun huollat ruohonleikkurin terää.

ONGELMA	SYY	RATKAISU
Ruohonleikkuri ei käynnisty	<ul style="list-style-type: none"> ■ Akkuyksikkö on tyhjä ■ Akkua ei ole kiinnitetty paikalleen akkulokerossa. ■ Akku tai ruohonleikkuri on liian kuuma. (Ruohonleikkurin virran tilan osoitin palaa oranssina 10 sekuntia) ■ Sivukiskot eivät ole täydessä pituudessaan ja kiinnikkeitä ei ole lukittu asentoon ■ Kahvaa ei ole asetettu kumpaankaan käyttöasentoon. ■ Ruoho ja leikkuujätteet ovat tukkineet ruohonleikkurin rungon. 	<ul style="list-style-type: none"> ■ Lataa akkuyksikkö ■ Kiinnitä akku leikkuriin. Paina sitä, kunnes kuulet naksahduksen. ■ Anna akkuyksikön tai ruohonleikkurin jäähtyä, kunnes lämpötila laskee alle 67°C:een. ■ Pidennä kahva täyteen pituuteen ja lukitse molemmat kiinnikkeet. ■ Säädä kahva toiseen käyttöasentoon. ■ Puhdista ruohonleikkurin runko ja varmista, että terä pääsee liikkumaan.
Ruohonleikkuri ei leikkaa tasaisesti	<ul style="list-style-type: none"> ■ Terä on tylsä. ■ Leikkuukorkeutta ei ole asetettu oikein. ■ Terä on koottu väärin. 	<ul style="list-style-type: none"> ■ Teroita tai vaihda terä. ■ Nosta runkoa korkeampaan leikkuukorkeusasetukseen. ■ Kokoa terä uudelleen, noudattaen tämän käsikirjan osiota "TERÄN ASENNUS".
Ruohonleikkuri sammuu ruohonleikkuun aikana	<ul style="list-style-type: none"> ■ Akkuyksikkö on tyhjä. ■ Ruohonleikkuri on ylikuormitustilassa. ■ Ruoho ja leikkuujätteet ovat tukkineet ruohonleikkurin rungon. ■ Akku tai ruohonleikkuri on liian kuuma (Ruohonleikkurin virran tilan osoitin palaa oranssina 10 sekuntia.). ■ Sivukisko on vetäytynyt hieman takaisin sisään kahvaan käytetyn työntövoiman seurauksena. 	<ul style="list-style-type: none"> ■ Lataa akkuyksikkö. ■ Nosta leikkuukorkeutta tai hidasta leikkuunopeutta. ■ Puhdista ruohonleikkurin runko. Nosta leikkuukorkeutta tai leikkaa kapeampaa väylää. ■ Anna akkuyksikön tai ruohonleikkurin jäähtyä, kunnes lämpötila laskee alle 67°C:een. ■ Avaa kiinnikkeiden lukitus. Pidennä sivukiskot täyteen pituuteen ja lukitse kiinnikkeet uudelleen.

ONGELMA	SYY	RATKAISU
Ruohonleikkuri ei silppua oikein	<ul style="list-style-type: none"> ■ Märkä leikkuujäte tarttuu rungon alapuolelle. ■ Ruohonleikkuri on asetettu leikkaamaan liikaa ruohoa kerralla. 	<ul style="list-style-type: none"> ■ Odota, kunnes ruoho kuivaa ennen kuin jatkat leikkaamista. ■ Nosta runkoa korkeampaan leikkuukorkeusasetukseen.
Liiallista tärinää esiintyy	<ul style="list-style-type: none"> ■ Leikkuuterä on löysällä. ■ Leikkuuterä on tasapainoton. ■ Leikkausterä on vääntynyt. ■ Moottorin akseli on taipunut. 	<ul style="list-style-type: none"> ■ Kiristä terän pultti. ■ Tasapainota terä ohjeiden mukaan. ■ Vaihda terä. ■ Ota yhteyttä EGO-asiakaspalveluun.
Kahvan lukitus ei toimi.	<ul style="list-style-type: none"> ■ Kiskot eivät ole täysin auki. 	<ul style="list-style-type: none"> ■ Vedä kiskot mahdollisimman auki ja lukitse salvat.

TAKUU

EGO-TAKUUKÄYTÄNTÖ

Katso verkkosivuilta osoitteesta egopowerplus.com EGO-takuukäytännön ehdot ja edellytykset kokonaisuudessaan.

LES ALLE INSTRUKSJONER!



LES BRUKERMANUALEN

⚠ ADVARSEL: For sikre både sikkerheten og påliteligheten, skal alle reparasjoner utføres av en kvalifisert servicetekniker.

Planlagt bruk og forutsigbart misbruk: Produktet er beregnet for å klippe gress i private hager. Den må ikke brukes til å klippe uvanlig høyt, tørt eller vått gress, f.eks. beitegress; eller til å rive opp blader. Produktet skal bare brukes til det foreskrevne formålet sitt. All annen bruk anses å være misbruk.

NO

SIKKERHETSSYMBOLER

Formålet med sikkerhetssymbolene er å trekke oppmerksomheten din mot mulige faresituasjoner. Sikkerhetssymbolene og forklaringene krever din fulle oppmerksomhet og forståelse. Symbolvarslene eliminerer ikke farer på egen hånd. Instruksjonene og advarslene som finnes i dem er ikke erstatninger for passende ulykkesforebyggende tiltak.

⚠ ADVARSEL: Sørg for å lese og forstå alle sikkerhetsanvisningene i denne bruksanvisningen, inkludert alle sikkerhetsvarselssymboler så som «FARE», «ADVARSEL» og «FORSIKTIG» før du bruker dette verktøyet. Hvis du ikke følger alle instruksjonene nedenfor, kan det føre til elektriske støt, brann og/eller alvorlig personskade.

SYMBOLFORKLARINGER

SIKKERHETSSYMBOL: Indikerer **FARE**, **ADVARSEL** eller **FORSIKTIG**. Kan brukes sammen med andre symboler eller piktogrammer.

⚠ ADVARSEL: Bruk av hvilke som helst elektroverktøy kan føre til at fremmedlegemer blir kastet mot øynene, og dette kan føre til alvorlig øyeskader. Før du begynner å bruke elektroverktøyet, skal du alltid bruke vernebriller eller vernebriller med sidebeskyttelse, og en full ansiktsskjerm der det trengs. Vi anbefaler en Wide Vision Safety Mask til bruk over briller, eller standard vernebriller med sidebeskyttelse.

SIKKERHETSINSTRUKSJONER

Denne siden viser og beskriver sikkerhetssymboler som finnes på produktet. Les, forstå og følg alle instruksjoner på maskinen før begynner montering og bruk.

	Sikkerhetsvarsel	Forsiktighetsregler som har med sikkerheten din å gjøre.
	Les brukermanualen.	For å redusere risikoen for skader, må brukeren lese og forstå bruksanvisningen før produktet brukes.
	Pass deg for skarpe blader.	Bladene fortsetter å rotere etter at motoren er slått av – fjern deaktiveringseheten før vedlikehold. Slå av og fjern den avtagbare batteripakken (eller deaktiver enheten) før justering eller rengjøring.
	Hold tilskuere borte.	Sørg for at andre mennesker og kjæledyr er minst 30m unna klipperen når den er i bruk.
	Hold føttene og hånden unna	Hold føttene og hånden unna
	CE	Dette produktet er utformet i tråd med gjeldende EC-direktiver.
	UKCA	Dette produktet er i samsvar med gjeldende britisk lovgivning.
	WEEE	Elektrisk avfall må ikke kastes sammen med vanlig husholdningsavfall. Må avleveres på en godkjent gjenvinningsstasjon.
	Noise	Garantert lydteknisk nivå. Støy i omgivelsene er i henhold til EUs direktiv.
IPX4	IP-symbol	Beskyttelse mot inntrengning av vann, grad 4
V	Volt	Spenning
A	Ampere	Strøm
Hz	Hertz	Frekvens (sykluser per sekund)
W	Watt	Effekt
min	Minutter	Klokkeslett
	Vekselstrøm	Typen spenning
	Likestrøm	Type eller karakteristikk for spenningen

n ₀	Hastighet uten last	Rotasjonshastighet, uten last
... /min	Pr. minutt	Omdreininger pr. minutt

GENERELLE SIKKERHETSADVARSLER FOR ELEKTROVERKTØY

⚠ ADVARSEL: LES ALLE SIKKERHETSADVARSLENE, INSTRUKSJONENE, ILLUSTRASJONENE OG SPESIFIKASJONENE SOM FØLGER MED DETTE ELEKTROVERKTØYET. Manglende etterlevelse av alle instruksjonene under kan resultere i elektrisk støt, brann og/eller alvorlig skade

TA VARE PÅ ALLE ADVARSLER OG INSTRUKSJONER FOR FREMTIDIG BRUK.

Betegnelsen "elektroverktøy" i advarslene refererer til elektroverktøy som kobles til strømmettet (med ledning), eller batteridrevet (trådløst) elektroverktøy.

SIKKERHET I ARBEIDSRÅDET

- **Hold arbeidsområdet rent og godt opplyst.** Rotete eller mørke områder gjør at ulykker lettere oppstår.
- **Ikke bruk maskinen i eksplosjonsfarlige omgivelser, for eksempel der det finnes brennbare væsker, gasser eller støv.** Elektroverktøy lager gnister som kan antenne støv eller damp.
- **Hold barn og andre personer unna når elektroverktøyet er i bruk.** Distraksjoner kan føre til at du mister kontrollen.

ELEKTRISK SIKKERHET

- **Støpselet til elektroverktøyet må passe inn i stikkkontakten. Støpselet må ikke modifiseres på noen som helst måte. Ikke bruk adapterstøpsler sammen med jordede elektroverktøy.** Uforandrede støpsler og passende stikkontakter reduserer risikoen for elektrisk støt.
- **Unngå kroppskontakt med jordete overflater som rør, radiatorer, komfyrer og kjøleskap.** Det er økt risiko for elektrisk støt hvis kroppen din er jordet.
- **Ikke utsett elektroverktøy for regn eller våte omgivelser.** Kommer det vann inn i et elektroverktøy, øker risikoen for elektrisk støt.
- **Ikke utsett ledningen for feil behandling. Unngå å bære eller dra i verktøyet ved hjelp av ledningen, eller å dra i ledningen når du skal ta verktøyet ut av stikkkontakten. Hold ledningen på avstand fra varme, olje, skarpe kanter og bevegelige deler.**

Skadede eller sammenfiltrede ledninger øker risikoen for elektriske støt.

- **Når du bruker et elektroverktøy utendørs må du bruke skjøteledning som er godkjent for dette.** Bruk av ledning som er egnet for utendørs bruk reduserer risikoen for elektrisk støt.
- **Hvis du ikke kan unngå å bruke verktøyet i fuktige omgivelser, så benytt en jordfeilbryter.** Bruk av jordfeilbryter reduserer risikoen for elektrisk støt.

PERSONLIG SIKKERHET

- **Vær årvåken, se hva du gjør, og følg sunn fornuft når du bruker et elektroverktøy. Ikke bruk elektroverktøy når du er trøtt eller er påvirket av narkotika, alkohol eller medikamenter.** Et øyeblikks uoppmerksomhet mens du bruker elektroverktøy kan føre til alvorlige personskader.
- **Bruk personlig verneutstyr. Bruk alltid vernebriller.** Verneutstyr som støvmaske, sklisikre vernesko, hjelm eller hørselsvern når omgivelsene krever det, reduserer risikoen for personskader.
- **Unngå utilsikket oppstart. Pass på at bryteren er i av-stilling før du kobler til strømkilden og/eller batteripakken, eller når du løfter og bærer verktøyet.** Bærer du elektroverktøy med fingeren på bryteren eller kobler det til strømkilden mens bryteren står i på-posisjon, vil det øke faren for ulykker.
- **Fjern eventuelle justeringsnøkler før du slår på elektroverktøyet.** Et verktøy eller en nøkkel som sitter igjen i en roterende del av elektroverktøyet, kan føre til personskade.
- **Ikke strekk deg for langt. Pass på å ha skikkelig foffeste og balanse til enhver tid.** Dette muliggjør bedre kontroll over elektroverktøyet i uventede situasjoner.
- **Kle deg riktig. Ikke bruk løse klær eller smykker. Hold hår, klær og hansker unna bevegelige deler.** Løse klær, smykker eller langt hår kan sette seg fast i bevegelige deler.
- **Hvis det følger med utstyr for tilkopling av støvavsug og oppsamlingsutstyr, skal disse kobles til og brukes riktig.** Bruk av støvenheter kan redusere støvrelaterte farer.
- **Selv om du har opparbeidet deg erfaring gjennom hyppig bruk av verktøyet må du alltid være årvåken og følge sikkerhetsinstruksjonene.** Et ørlite øyeblikks uoppmerksomhet er alt som skal til for at alvorlige personskader kan oppstå.

NO

■ BRUK OG VEDLIKEHOLD AV ELEKTROVERKTØY

- **Ikke legg press på elektroverktøyet. Bruk et elektroverktøy som er egnet for det du skal gjøre.** Et egnet elektroverktøy vil gjøre jobben på en bedre og tryggere måte, i den hastigheten verktøyet er konstruert for.
- **Ikke bruk elektroverktøyet hvis bryteren ikke slår det på og av.** Elektroverktøy som ikke kan kontrolleres med bryteren er farlig og må repareres.
- **Koble støpselet fra strømkilden og/eller ta batteripakken ut av verktøyet før du foretar justeringer, skifter tilbehør eller setter bort maskinen.** Slike forebyggende sikkerhetstiltak reduserer risikoen for at det elektriske verktøyet starter utilsiktet.
- **Oppbevar elektroverktøy utilgjengelig for barn, og ikke la personer som ikke er kjent med verktøyet eller disse instruksjonene, betjene maskinen.** Elektroverktøy er farlige når de brukes av uerfarne personer.
- **Elektroverktøy og tilbehør må vedlikeholdes. Se etter feiljusteringer eller oppbinding av bevegelige deler, skadede deler og eventuelle andre forhold som kan påvirke elektroverktøyet funksjon. Hvis det er skadet, må elektroverktøyet repareres før bruk.** Mange ulykker forårsakes av elektroverktøy som ikke er godt vedlikeholdt.
- **Hold skjæreverktøyet skjerpet og rent.** Riktig vedlikehold av skjæreverktøy med skarpe kanter gjør at det er mindre sannsynlighet for oppbinding, og at det er lettere å kontrollere.
- **Bruk elektroverktøy, tilbehør, bits, osv. i henhold til disse anvisningene, og ta hensyn til omgivelsene og arbeidet som skal utføres.** Bruk av elektroverktøy til andre formål enn det som er angitt, kan føre til farlige situasjoner.
- **Hold håndtakene og gripeflatene tørre, rene og fri for olje og fett.** Glatte håndtak og grep kan gi usikker håndtering og/eller manglende kontroll på verktøyet.

BRUK OG VEDLIKEHOLD AV BATTERIVERKTØY

- **Lades bare med ladere som er spesifisert av produsenten.** En lader som passer for én type batteripakke, kan gi brannfare dersom den brukes med andre batteripakker.
- **Elektroverktøyet skal bare brukes med spesifiserte batteripakker.** Bruk av andre batteripakker kan skape risiko for skader og brann.
- **Når batteriet ikke er i bruk skal det holdes unna andre metallgjenstander som binders,**

mynter, nøkler, spikere, skruer eller andre små metallgjenstander som kan lage forbindelse fra én terminal til en annen. Kortslutning av batteripolene kan forårsake brannskader eller brann.

- **Under farlige forhold kan væske komme ut av batteriet. Unngå kontakt med denne. Hvis kontakt oppstår ved et uhell, skyl med vann. Får du væske i øynene, skal det i tillegg søkes medisinsk hjelp.** Væske som blir slynget ut av batteriet, kan forårsake irritasjon eller brannskader.
- **Ikke bruk en batteripakke eller et verktøy som er skadet eller tilpasset.** Skadde eller modifiserte batterier kan oppføre seg uforutsigbart og medføre brann, eksplosjon eller risiko for personskade.
- **Ikke eksponer batteripakken eller verktøyet for ild eller svært høye temperaturer.** Eksponering for ild eller temperaturer over 130 °C kan forårsake eksplosjon.
- **Følg alle ladeinstruksjonene, og ikke lad batteripakken eller verktøyet utenfor temperaturområdet som er angitt i instruksjonene.** Hvis batteriet lades på feil måte eller ved temperaturer som er utenfor det angitte området, kan batteriet bli skadet og brannrisikoen øke.

SERVICE

- **Elektroverktøyet må repareres av et kvalifisert serviceverksted som kun bruker identiske reservedeler.** Dette opprettholder sikkerheten til elektroverktøyet.
- **Batteripakker som er skadet, må aldri brukes.** Service på batteripakker må bare utføres av produsenten eller autoriserte tjenesteleverandører.

SIKKERHETSREGLER FOR TRÅDLØS GRESSKLIPPER

⚠ FARE: Denne maskinen ble bygget for å brukes i henhold til reglene for sikker drift som finnes i denne bruksanvisningen. Som med alle typer elektroutstyr, kan uforsiktighet eller feil fra operatørens side føre til alvorlig skade. Denne maskinen er i stand til å skade hender og føtter, og kaste ut gjenstander. Å ikke følge sikkerhetsinstruksene til fulle kan resultere i alvorlige skader eller død.

⚠ ADVARSEL: Når du bruker trådløse gressklippere, må du alltid følge grunnleggende sikkerhetsregler for å redusere risikoen for brann, elektrisk støt og personskade.

VIKTIG

LES NØYE FØR BRUK. BEHOLD FOR SENERE BRUK.

SIKKERHETSREGLER FOR TRÅDLØSE GRESSKLIPPERE:

FORSIKTIG – IKKE RØR ROTERENDE BLAD!

TRENING

- Les instruksene nøye. Vær fortløig med betjeningsinstrumentene og riktig bruk av produktet.
- La aldri folk som ikke er kjent med disse instruksjonene eller barn bruke produktet. Lokale regelverk kan ha krav til aldersgrense for operatøren.
- Aldri klipp mens personer, spesielt barn eller kjæledyr er i nærheten.
- Operatøren er ansvarlig for skade som skjer andre folk eller annens eiendom.

FORBEREDELSE

- Du skal alltid ha på deg kraftig fottøy og lange bukser mens du klipper.
- Ikke bruk produktet når du er barbert eller bruker åpne sandaler. Unngå å bruke klær som er løstsittende eller som har hengende snorer eller bånd.
- Kontroller området der maskinen skal brukes nøye, og fjern alle steiner, pinner, tråder, bein og andre fremmedlegemer.
- Før bruk skal du alltid kontrollere visuelt at knivene, knivboltene og knivkomponenter ikke er slitte eller ødelagte. Bytt ut slitte eller ødelagte kniver og bolter i sett for å opprettholde balansen. Skadede eller uleselige etiketter.

DRIFT

- Klipp kun i dagslys eller god kunstig belysning.
- Unngå å bruke apparatet i vått gress, når det er mulig.
- Vær alltid sikker på at du har fotfeste i bakker.
- Gå, løp aldri.
- Ved bruk av klippere med hjul, skal man klippe på tvers i bakker; aldri opp og ned.
- Utvis ekstrem forsiktighet når du endrer retning i skråninger.
- Ikke klipp på svært bratte bakker.
- Vær ekstremt forsiktig når du rygger eller trekker produktet mot deg.
- Stopp blad(ene) hvis apparatet må vippes for transport når du krysser overflater annet enn gress, og ved transport av apparatet til og fra området som skal klippes.
- Bruk aldri apparatet med defekte vern eller skjerm, eller

eller hvis sikkerhetsutstyr, for eksempel deflektorer og/eller gressoppsamlere, ikke er på plass.

- Slå på motoren i henhold til instruksjonene, og med føttene godt unna blad(er).
- Ikke vipp apparatet når du slår på motoren, bortsett fra hvis apparatet må vippes for å starte det. I slike tilfeller må du ikke vippe det mer enn absolutt nødvendig, og løfte kun den delen som vender bort fra operatøren. Pass alltid på at begge hender er i driftsstilling før maskinen senkes til bakken. Stå ikke foran utkastingsåpningene når maskinen startes.
- Ikke plasser hender eller føtter nær eller under roterende deler. Hold deg alltid unna utkastingsåpningen ved bruk av klippere med roterende blader.
- Løft aldri opp eller bær produktet mens motoren er i gang.
- Slå av og fjern den avtagbare batteripakken (eller deaktiveringsenheten) og sørg for at alle bevegelige deler har stoppet helt før justering eller rengjøring:
 - Når du forlater maskinen;
 - Før du fjerner en blokkering og rensker rennen;
 - Før du sjekker, rengjør eller arbeider på produktet;
 - Etter å ha støtt på et fremmedlegeme. Inspiser produktet for skader og utfør reparasjoner som nødvendig.
- Hvis apparatet begynner å vibrere unormalt (sjekk umiddelbart):
 - Inspiser for skader
 - Bytt eller reparere eventuelle skadede deler;
 - Se etter og stram eventuelle løse deler.

NO

VEDLIKEHOLD OG LAGRING

- Vær forsiktig når du justerer maskinen, slik at fingrene ikke blir sittende fast mellom bevegelige blader og de faste delene av produktet.
- Hold alle mutrer, bolter og skruer stramme for å sikre at produktet er i sikker brukstilstand.
- Kontroller oppsamleren med jevne mellomrom for slitasje eller forringelse.
- Skift ut slitte og ødelagte deler for sikkerhet.
- Rengjøring og vedlikehold skal ikke gjøres av barn med mindre de har tilsyn.
- Ved service på bladene må man være klar over at selv om strømforsyningen er slått av, kan bladene fortsatt flyttes på.
- For rotasjonsplenklippere skal det sikres at nye kuttedeler er av riktig type.

PERSONLIG SIKKERHET

Det kan skje tragiske ulykker dersom brukeren ikke er på vakt når det er barn i nærheten. Barn blir ofte tiltrukket av klipperen og klippingen. De forstår ikke farene. Stol aldri på at barna holder seg i ro der du så dem sist.

- Hold barn borte fra bevegelsesområdet og under nøye overvåking av en annen ansvarlig voksen person annen enn operatøren.
- Vær på vakt og slå av klipperen hvis det kommer barn inn i området.
- Vær ekstremt forsiktig når du nærmer deg blinde hjørner, døråpninger, busker, trær eller andre gjenstander som kan hindre sikten og oppdagelse av barn som kan kollidere med klipperen.
- Barn bør være under tilsyn for å sikre at de ikke leker med klipperen.
- Slå alltid klipperen av når du tar ut batteripakken fra verktøyet. Stopp blad(ene) hvis apparatet må vippes for transport når du krysser overflater annet enn gress, og ved transport av apparatet til og fra området som skal klippes.

NO

DRIFT VANLIG BRUK:

- Les denne bruksanvisningen nøye i sin helhet før du prøver å sette sammen denne maskinen. Les, forstå og følg alle instruksjoner på maskinen eller i manualen før bruk. Gjør deg helt kjent med kontrollene og riktig bruk av denne maskinen før du bruker den. Oppbevar denne håndboken på et trygt sted for fremtidig og regelmessig referanse, og for bestilling av reservedeler.
- Bruk riktig produkt – ikke bruk gressklipperen til jobber som den ikke er laget for.
- Ikke strekk deg for langt – pass på å ha skikkelig fotfeste og balanse til enhver tid.
- Objekter som treffes av gressklipperblader kan forårsake alvorlige skader på personer. Plenen bør alltid undersøkes nøye og ryddes for alle gjenstander før hver klipping.
- Før og under kjøring i revers skal du se bakover og ned for kontrollere at det ikke er småbarn eller andre personer i området.
- Denne maskinen er ikke et leketøy. Derfor skal man alltid være ekstremt forsiktig. Enheten din har blitt laget for ett formål: å klippe gress. Ikke bruk til noen annen ting.
- Ikke tving gressklipperen – den vil gjøre jobben bedre og sikrere i den hastigheten som den er konstruert for.
- Før bruk skal du alltid kontrollere visuelt at knivene, knivboltene og knivkomponenter ikke er slitte eller ødelagte. Skift ut slitte eller skadde blader, bolter og andre komponenter samtidig som balansen beholdes. Skadede eller uleselige etiketter.
- Vær ekstremt forsiktig når du rygger eller trekker produktet mot deg.
- Undersøk nøye området der utstyret skal benyttes. Fjern alle steiner, pinner, tråder, leker og andre fremmedlegemer som kan snubles i eller plukkes opp og kastes ut av bladet. Gjenstander som kastes ut kan føre til alvorlig personskade. Planlegg klippemønsteret for å unngå at materialet kastes mot veier, fortau, tilskuere og lignende. Unngå også utkastning av materialer mot vegger eller hindringer, som kan forårsake at utladet materiale spretter tilbake mot operatøren.
- For å unngå bladkontakt eller skade fra gjenstander som slynges ut, skal brukeren holde seg i sonen bak håndtakene og holde barn, tilskuere, hjelpere og kjæledyr minst 30 m fra klipperen mens den er i bruk. Stopp maskinen hvis noen kommer inn i området.
- Bruk alltid vernebriller under drift og ved utføring av justering eller reparasjon, for å beskytte øynene. Gjenstander som slynges ut og spretter tilbake kan forårsake alvorlig skade på øynene. Alltid bruk ansikts- eller støvmaske hvis arbeidet er støvete.
- Kle deg riktig – Ikke bruk løstsittende klær eller smykker. Disse kan sette seg fast i bevegelige deler. Bruk av gummihansker og fottøy anbefales når du arbeider utendørs. Bruk solide, grovsålede arbeidssko, og tettsittende bukser og skjorter. Skjorter og bukser som dekker armer og ben, og vernesko anbefales. Aldri bruk denne maskinen i bare føtter, sandaler, eller med glatte eller lette (f.eks lærret) sko.
- Ikke plasser hender eller føtter nær eller under klippeaggregatet. Kontakt med bladet kan skade hender og føtter.
- Manglende eller skadet utløpsdeksel kan føre til bladkontakt eller skader fra gjenstander som slynges ut.
- Mange skader oppstår som et resultat av at gressklipperen trekkes over foten ved fall, på grunn av at man glir eller snubler. Ikke hold på klipperen hvis du faller; slipp håndtaket umiddelbart.
- Trekk aldri klipperen bakover mot deg mens du går. Hvis du må rygge klipperen bort fra en vegg eller hindring, ser du først ned og bakover for å unngå å snuble, og deretter gjør du følgende:
 - Ta et steg tilbake fra klipperen slik at armene dine er helt strukket ut.
 - Vær sikker på at du har god balanse og fotfeste.
 - Trekk klipperen sakte bakover, ikke mer enn halvveis mot deg.

- Gjenta disse trinnene etter behov.
- Ikke bruk klipperen hvis du er påvirket av alkohol eller medikamenter.
- Vær på vakt – følg med på det du gjør. Bruk sunn fornuft. Ikke bruk gressklipperen når du er trett.
- Motor-/bladspaken er en sikkerhetsanordning. Forsøk aldri å omgå denne funksjonen. Gjør du det kan sikkerhetsanordningen bli virkningsløs, og føre til personskade gjennom kontakt med det roterende bladet. Motor-/bladspaken må kunne flyttes lett i begge retninger, og automatisk tilbake til utkoplet stilling når den slippes.
- Unngå farlige miljøer – ikke bruk gressklippere på fuktige eller våte steder.
- Må ikke brukes når det regner.
- Vær alltid sikker på at du har fotfeste. Å gli og falle kan føre til alvorlige personskader. Hvis du føler at du mister fotfestet, slipp motor-/bladkontrollspaken umiddelbart, slik at bladet slutter å rotere i løpet av tre sekunder.
- Stopp bladet når du krysser grusveier, stier eller veier.
- Hvis utstyret begynner å vibrere unormalt, må motoren stoppes og sjekkes umiddelbart, for å finne årsaken. Vibrasjoner er vanligvis en advarsel om at noe er galt.
 - Inspiser for skader
 - Bytt eller reparer eventuelle brukerutskiftbare, skadede deler
 - Se etter og stram eventuelle løse deler.
 - Bruk aldri gressklipperen uten riktig skjermer montert, samt utløpsdeksel, gressoppsamler, bioklipp-innsats, sideutkast, motor-/bladspaker og andre sikkerhetsanordninger på plass og fungerende. Bruk aldri gressklipperen med skadede sikkerhetsanordninger. Unnlattelse av å gjøre dette kan resultere i personskade.
- Hvis situasjoner oppstår som ikke er dekket i denne håndboken, må du utvise forsiktighet og sunn fornuft. Kontakt EGOs servicesenter for hjelp.
- Batteripakken må fjernes fra apparatet før det kasseres.
- Batteriet skal avhendes på en sikker måte.

BRUK I SKRÅNINGER:

Skråninger er en viktig faktor i forbindelse med skli- og fallulykker som kan resultere i alvorlig skade. Vær alltid sikker på at du har fotfeste i bakker. Bruk i skråninger krever ekstra forsiktighet. Hvis du føler deg usikker i en skråning, skal den ikke klippes.

Gjør:

- Klipp på tvers i bakker; aldri opp og ned. Utvis ekstrem forsiktighet når du endrer retning i skråninger.
- Se etter hull, hjulspor, steiner, skjulte objekter eller støt som kan gjøre at du sklir eller snubler. Høyt gress kan skjule hindringer.

Ikke:

- Ikke klipp nær stup, grøfter eller fyllinger; du kan miste fotfestet eller balansen.
- Ikke klipp skråninger som er brattere enn 15 grader.
- Ikke slå vått gress. Ustabilt fotfeste kan føre til at man glir.

SERVICE

⚠ ADVARSEL: Gressoppsamlerens deler, utløpsdekslet, sideutkast, bioklipp-innsats og etterfølgende skjold er utsatt for slitasje og skader, noe som kan avdekke bevegelige deler eller la gjenstander kastes ut, og kan øke risikoen for skader. For sikkerhets skyld skal komponentene sjekkes ofte, og ødelagte komponenter byttes umiddelbart med identiske reservedeler, som er oppført i denne bruksanvisningen. Kontakt EGOs kundeservice eller ditt nærmeste EGO-servicesenter. Reparasjoner eller utskiftninger skal utføres av en kvalifisert servicetekniker!

- Hvis klipperens innebygde overbelastningsvern ofte utløses, tar du kontakt EGOs kundeservice eller ditt nærmeste EGO-servicesenter.
- Ikke vask klipperen med hageslange; unngå å få vann i motoren og i elektriske kontakter.
- Ta ut nøkkelen og oppbevar den deaktiverte gressklipperen innendørs når den ikke er i bruk. La motoren avkjøles før du lagrer den i et skap. Gressklipperen skal oppbevares i et tørt, høyt eller låst skap, og utilgjengelig for barn.
- Ved service skal det kun brukes identiske reservedeler som nevnt i denne bruksanvisningen. Bruk av deler som ikke oppfyller de opprinnelige utstyrsspesifikasjonene kan føre til feil i ytelsen og dårligere sikkerhet.
- Fjern eller koble fra batteripakken før det utføres service, renhold, eller materiale fjernes fra gressklipperen.
- Følg instruksjonene for bytte av tilbehør.
- Hold håndtakene tørre, rene og frie for olje og fett.
- For å redusere brannfaren skal motordekslet holdes fritt for gress, løv og rusk-oppbygging.
- Sjekk bladet og motorfesteboltene ofte, for å se at de er riktig strammet. Bladet skal også visuelt inspiseres for skade (for eksempel bøyning, sprekker og slitasje). Bladet skal bare byttes med et identisk, som oppført i denne bruksanvisningen.

NO

- Vær nøye med vedlikeholdet av klipperen – hold klipperblader skarpe og rene for å sikre best mulig og trygg ytelse. Gressklipperens kniver er skarpe og kan kutte. Pakk inn bladet eller bruk hansker og utvis ekstra forsiktighet når du utfører service på det.
- Sikkerhetsutstyr skal aldri fjernes eller tukles med. Sjekk jevnlig at de fungerer riktig. Aldri gjøre noe for å forstyrre den tiltenkte funksjonen til en sikkerhetsanordning, eller for å redusere beskyttelsen som en sikkerhetsanordning gir.
- Stopp alltid motoren før du foretar justeringer på hjul eller høydejustering av kuttingen.
- Etter å ha truffet på et fremmedlegeme, skal motoren stoppes, nøkkelen tas ut, og klipperen grundig inspiseres for eventuelle skader. Reparer skaden før du bruker gressklipperen.
- Vedlikehold eller erstatt sikkerhets- og instruksjonsskilt, når det blir nødvendig. Kontakt EGOS kundeservice eller ditt nærmeste EGO-servicesenter. Reparasjoner eller utskiftninger skal utføres av en kvalifisert servicetekniker!
- **TA VARE PÅ DISSE INSTRUKSJONENE.** Referer til dem ofte, og bruk dem til å instruere andre som kan komme til å bruke verktøyet. Hvis du låner ut verktøyet til noen andre, må de også få låne disse instruksjonene, for å hindre feilbruk av produktet og mulige skader.

NO

BRUK AV OG OMSORG FOR BATTERI

- For å bevare naturressurser, skal batterier resirkuleres eller kastes på riktig måte. Dette produktet inneholder lithium-ion-batterier. Lokale eller nasjonale lover forbyr deponering av lithium-ion batterier i vanlig søppel. Ta kontakt med det lokale renholdsverket ditt for å få informasjon om tilgjengelige resirkulerings- og/eller deponeringsløsninger.
- Ved fjerning av batteripakken for avhending eller resirkulering, dekkes batteripakkens terminaler med tykk tape. Ikke forsøk å ødelegge eller demontere batteripakken, eller fjerne noen av komponentene. Lithium-ion batterier må resirkuleres eller avhendes på riktig måte. Polene må aldri komme i kontakt med metallgjenstander og/eller kroppsdeleer, da dette kan føre til kortslutning. Hold utstyret utilgjengelig for barn. Hvis du ikke følger disse advarslene, kan det føre til brann og/eller alvorlig personskaade.
- **UNDER FÆRLIGE FORHOLD, KAN VÆSKE KASTES UT FRA BATTERIET. UNNGÅ KONTAKT. HVIS KONTAKT OPPSTÅR VED UHELL, SKYLL MED VANN. HVIS MAN FÅR VÆSKE I ØYNENE, SKAL DET I TILLEGG SØKES MEDISINSK HJELP.** Væske som renner ut av batteriet, kan forårsake irritasjon eller brannskår.

SPESIFIKASJONER

Modellnummer	LM2020E	LM2020E-SP	
Selvgangssystem	Nei	Ja	
Spenning	56 V	56 V	
Hastighet uten last	3000 /min	3000 /min	
Klippehøyde	25-95 mm	25-95 mm	
Anbefalt driftstemperatur	0°C-40°C	0°C-40°C	
Anbefalt lagringstemperatur	-20°C-70°C	-20°C-70°C	
Klippehøyde-innstillinger	6	6	
Dekkestørrelse	51 cm	51 cm	
Klippebredde	50 cm	50 cm	
Gressposevolum	60 L	60 L	
Klipperens vekt (uten batteripakke, bioklipp-innsats)	24,4 kg	27,2 kg	
Bladmodell	AB2001	AB2001	
Målt lydeffektnivå L_{WA}	91,5 dB(A) K=1,80 dB(A)	91,0 dB(A) K=1,89 dB(A)	
Lydtrykknivå ved brukerens øre L_{PA} K=3 dB(A)	79,5 dB(A)	79,2 dB(A)	
Garantert lydeffektnivå L_{WA} (i henhold til 2000/14/EC)	93 dB(A)	93 dB(A)	
Vibrasjon a_{h1} K=1,5 m/s ²	Venstre håndtak	≤2,5 m/s ²	≤2,5 m/s ²
	Høyre håndtak	≤2,5 m/s ²	≤2,5 m/s ²
Bladbrems	Ja	Ja	

- Den deklarerte totale vibrasjonsverdien er målt i overensstemmelse med en standard testmetode, og kan brukes til å sammenligne ett verktøy med et annet.
- Den deklarerte totale vibrasjonsverdien kan også brukes i en foreløpig vurdering av eksponering.

MERK: Vibrasjoner under faktisk bruk av elektroverktøyet kan variere fra den opplyste verdien der verktøyet brukes; For å beskytte brukeren, skal det brukes hansker og hørselsvern under de faktiske bruksforholdene.

PAKKELISTE

NAVN PÅ DEL	MENGDE
Gressklipper	1

Gressoppsamler	1
Gressoppsamler-ramme	1
Bioklipp-innsats	1
Sideutløpsrenne	1
Sikkerhetsnøkkel	1
Bruksanvisning	1

Gressklipperen leveres med håndtak i den kompakte, LÅSTE LAGRINGSSTILLINGEN (Fig. I).

- 1) Trykk og hold hurtigjusteringshåndtaket for å frigjøre håndtaket fra LÅST LAGRING-POSISJON.
- 2) Løft håndtaket fra brettet posisjon, og slipp spaken. Sving håndtaket forsiktig oppover til du hører og føler at låsestiften tar tak i en av de ulike posisjonene som vist i Fig. J.

Fig. J delebeskrivelse se nedenfor:

J-1	Låst posisjon for oppbevaring
J-2	Gressoppsamler/posisjon for å ta av
J-3	Øvre posisjon for kjøring av gressklipper
J-4	Midtre posisjon for kjøring av gressklipper
J-5	Nedre posisjon for kjøring av gressklipper

BESKRIVELSE

KJENN KLIPPEREN DIN (Fig. A og B og C og D og E)

- 1 Dødmannsknapp (koplingshendel)
- 2 Håndtak
- 3 Sikkerhetsknapp
- 4 Selvgående utløser
- 5 Håndtakslåsende klemme
- 6 Gressoppsamler
- 7 Justeringsspak for klippehøyde
- 8 Bakhjul
- 9 Sidetømmingsluke
- 10 Klippeenhet
- 11 LED-kjøreløys
- 12 Deksel
- 13 Forhjul
- 14 Batteripakkedeksel
- 15 Bakhåndtak
- 16 Hurtigjusteringsspak
- 17 Bakre utløpsdør
- 18 Sidespor
- 19 Spak for selvgående hastighet-kontroll
- 20 Etterslepene skjerm
- 21 Bryterknapp for LED-kjøreløys
- 22 Strømindikator
- 23 Utløserknapp for batteri
- 24 Nøkkelspor
- 25 Bioklipp-innsats
- 26 Sidetømmingsrenne

DRIFT

MONTERING AV GRESSOPPSAMLER

- 1) Skyv gressoppsamleren på rammen (Fig. F).
- 2) Monter de øvre klipsene på rammen (Fig. G), og deretter settes de to sideklipsene sammen. Monter den nederste klipsen sist.
- 3) Den fullstendig monterte gressoppsamleren vises i Fig. H.

JUSTERING AV DET SAMMENLEGGBARE HÅNDTAKET

⚠ ADVARSEL: Ikke prøv å starte klipperen før håndtaket er låst i en av de tre forhåndsinnstilte driftsposisjonene (ØVRE DRIFTSPOSISJON, MIDTRE DRIFTSPOSISJON og NEDRE DRIFTSPOSISJON).

FESTE/FJERNE GRESSOPPSAMLER/BIOKLIPP-INNSATS

NO

⚠ ADVARSEL: Det skal aldri noen gang foretas justeringer på gressklipperen uten først at motoren først stoppes og sikkerhetsnøkkelen fjernes, og deretter må bladet slutte å rotere.

MERK: Fest et av tilbehørene på gressklipperen før klippingen startes.

■ Feste/fjerne gressoppsamler (Fig. K)

Juster håndtaket til passende stilling. Løft den bakre utslippsdøren og heft gressoppsamleren på vippestangen. For å fjerne den, er det bare å løfte gressoppsamleren opp og ut av vippestangen. Til slutt slippes den bakre utslippsdøren.

MERK: Fjern den forhåndsinstallerte bioklipp-innsatsen fra klipperen før du fester gressoppsamleren til klipperen.

■ Feste/fjerne bioklipp-innsatsen (Fig. L)

Løft den bakre utslippsdøren og sett inn bioklipp-innsatsen i klipperen. For å fjerne den, er det bare å dra den ut. Til slutt slippes den bakre utslippsdøren.

■ Feste/fjerne sideutkastrenne (Fig. M)

Løft sideutkast-døren. Juster sporet til utkastrennen med knotten til utkast-døren og slipp sideutkast-døren forsiktig for å få den til å rotere rundt vippestangen til den hviler stødig på utkastrennen. For å fjerne den, løft sideutkast-døren, løft sideutkastrennen opp og av monteringsknotten til døren.

Fig. M delebeskrivelse, se nedenfor:

M-1	Sideutkast-dør
M-2	Monteringsknott
M-3	Monteringsspor
M-4	Sideutkastrenne
M-5	Pivot

MERK: Bioklipp-innsatsen må installeres når sidetømmingsrennen sitter på.

JUSTERING AV KLIPPEHØYDE (Fig. N)

⚠ ADVARSEL: Hold føttene borte fra aggregatet når du justerer høyden. Klipperen kan stilles inn til 6 klippehøyder mellom 25 mm og 95 mm. Velg riktig klippehøyde i henhold til typen gress og forholdene i gresset.

NO

MERK: Ved flytting av verktøyet, må klippehøyden justeres til posisjon 3 eller høyere. Unnlattelse av å gjøre det, kan føre til skade på bladet.

FESTE/FJERNE BATTERIPAKKEN (Fig. O)

BRUK KUN MED BATTERIPAKKER OG LADERE SOM OPPFØRT I FIG. A.

LAD OPP FØR FØRSTE GANGS BRUK.

⚠ ADVARSEL: Hvis deler er ødelagte eller mangler, må du ikke forsøke å feste batteripakken på klipperen eller betjene klipperen før de ødelagte eller manglende delene blir byttet. Hvis du ikke gjør det, kan det føre til alvorlig skade.

■ Festing

Skyv batteripakken inn i batterirommet til du hører et «klikk».

Løsning

Trykk inn batteriutløserknappen i batterirommet.

Fig. O delebeskrivelse se nedenfor:

0-1	Sikkerhetsnøkkelspor
0-2	Sikkerhetsnøkkel
0-3	Batteriutløsningsknapp

MERK: Sørg for at låsen på klipperen klikker på plass og at batteripakken er festet til klipperen før du begynner.

START/STOPP AV KLIPPEREN

⚠ ADVARSEL: Driften av enhver gressklipper kan resultere i at fremmedlegemer blir kastet mot dine eller andres øyne, noe som kan skade øynene alvorlig. Bruk alltid vernebriller når du bruker gressklipperen, eller mens du utfører justeringer eller reparasjoner på den.

⚠ ADVARSEL: Sørg for at andre mennesker og kjøledyr er minst 30m unna klipperen når den er i bruk.

⚠ ADVARSEL: Bladet vil fortsette å rotere i noen sekunder etter at klipperen slås av. La motoren/bladet slutte å rotere før du starter klipperen på nytt. Ikke slå klipperen raskt av og på.

SIKKERHETSNOKKEL

For å hindre utilsiktet oppstart eller uautorisert bruk av den batteridrevne gressklipperen din, har en avtagbar sikkerhetsnøkkel blitt innlemmet i utformingen av klipperen. Klipperen vil bli fullstendig deaktivert når sikkerhetsnøkkelen fjernes.

⚠ FARE: Roterende blader kan forårsake alvorlige skader. For å unngå alvorlig personskade, skal sikkerhetsnøkkelen fjernes når klipperen er uten tilsyn, samt ved justering, rengjøring, vedlikehold, transport, løfting eller lagring av klipperen.

MERK: Motoren kan ikke startes, med mindre:

- Håndtaket er låst i en av driftsposisjonene.
- Sideskinnene er trukket helt ut (Fig. P).
- Begge de grønne håndtakslåselekkene er lukket nøye (Fig. Q).

Q-1	indikasjonslinjen
-----	-------------------

⚠ FORSIKTIG: Ikke forsøk å overstyre driften av sikkerhetsknappen og dødmannsknapp.

Start (Fig. Q)

- 1) Fest batteripakken til klipperen, sett inn sikkerhetsnøkkelen i nøkkelsporet og lukk batteridekselet (Fig. O).
- 2) Trykk ned sikkerhetsknappen som vist i Fig. R.
- 3) Mens du holder bryterknappen nede, drar du dødmannsknappen opp mot håndtaket før du slipper sikkerhetsknappen (Fig. S).

Stoppe

- 1) Slipp dødmannsknappen.
- 2) Den elektriske bremsen i den automatiske bremsemekanismen vil stoppe bladrotasjonen innen 3 sekunder etter at dødmannsknappen slippes.

VARIABEL HASTIGHETS SELVGANGSSYSTEM

LM2020E-SP Klipperen er utstyrt med et variabel hastighets selvgangssystem. Dette systemet er uavhengig av bladets på-/av-bryter; det er ikke avhengig av at bladene roterer.

For å betjene systemet uten bladrotasjon, trekkes selvgangsutløseren mot håndtaket.

For å slå selvgangssystemet av, slippes selvgangsutløseren.

Systemet har variabel hastighet. For å øke hastigheten, flyttes spaken for hastighetskontroll fremover. For å senke hastigheten, flyttes spaken for hastighetskontroll bakover (Fig. T).

Bruk med bladet roterende for kutting:

1. Start klipperen.
2. Mens du holder dødmannsknappen mot håndtaket med venstre hånd, drar du i propellutløseren mot håndtaket med høyre hånd.
3. Hold både dødmannsknappen og propellutløseren mot håndtaket samtidig med høyre hånd, og bruk venstre hånd til å justere hastighetsspaken for å velge riktig hastighet på propellen.

⚠ ADVARSEL: For å redusere risikoen for skader, skal man aldri forsøke å overstyre driften av bryteren eller selvgangssystemet. Selvkjøringen skal bare brukes for det tiltenkte formålet.

LED-ARBEIDSLYS PÅ KLIPPEREN (Fig. A-13)

Trykk på bryterknappen (Fig. C-22) for å slå av/på LED-arbeidsliset foran batterirommet.

STRØMINDIKATOR PÅ KLIPPEREN (Fig. U)

Klipperen er utstyrt med en strømindikator som indikerer ladestatus for batteripakken og arbeidsstatusen til klipperen. Strømindikatorene lyser når bladet roterer, eller når LED-arbeidsliset er slått på.

Strømindikator på klipperen	Betydning	Handling
Lyser grønt	Klipperen fungerer som den skal; batteriet har minst 15% lademengde	N/A
Lyser rødt	Lavt batterinivå	Stopp klipperen og lad batteriet
Blinker rødt	Batteriet er nesten tomt	Stopp klipperen og lad batteriet
Lyser oransje	Klipperen eller batteripakken er overopphetet	Ta ut batteriet fra klipperen, flytt det til skyggen og la avkjøles i minst 15 minutter

Blinkende oransje	Klipperen er overbelastet	Klipp saktere, eller hev kutteghøyden for å redusere belastningen
-------------------	---------------------------	---

OVERBELASTNINGSVERN PÅ KLIPPER

For å unngå overbelastning, skal man ikke prøve å flytte for mye gress på en gang. Senk klippehøyden eller hev klippehøyden.

Gressklipperen har innebygget overbelastningsvern. Når klipperen er overbelastet, vil motoren stoppe og strømindikatorene på klipperen vil blinke oransje. Fjern batteripakken fra klipperen. Se etter om gresset har samlet seg opp under dekket, og fjern det om nødvendig. Deretter installeres batteripakken og klipperen startes.

HØY-TEMPERATUR BESKYTTELSE AV BATTERIET

Batteripakken vil generere varme under bruk. Varmen forsvinner saktere i varmt vær. Hvis batteritemperaturen overstiger 70°C under drift, vil vernekremsen umiddelbart slå klipperen av for å beskytte batteriet mot skade. Strømindikatorene på klipperen vil lyse oransje. Slipp dødmannsknappen, vent helt til batteriet kjøles ned til ca 67°C, og start deretter klipperen igjen.

NO

VEDLIKEHOLD

⚠ ADVARSEL: For å unngå alvorlige personskader, skal sikkerhetsnøkkelen og batteripakken alltid tas ut av klipperen før rengjøring eller vedlikehold.

⚠ ADVARSEL: Ved service skal det bare brukes originale reservedeler. Bruk av andre deler kan forårsake farer eller skader på produktet. For sikre både sikkerheten og påliteligheten, skal alle reparasjoner utføres av en kvalifisert servicetekniker.

RENGJØRING AV KLIPPEREN

⚠ ADVARSEL: Ta alltid ut sikkerhetsnøkkelen og batteripakken ved service eller transport av klipperen.

Undersiden av klippeaggregatet skal rengjøres etter hver bruk, der gressrester, blader, skitt og annet rusk samler seg. Denne opphopningen er uønsket, ettersom det vil føre til rust og korrosjon på metalldele, og redusere klippe-effektiviteten.

Fjern eventuell opphopning av gress og blader på eller rundt drivakselen (kun LM2020E-SP) og motorviften (ikke bruk vann). Tørk klipperen ren med en fuktig klut.

FJERNING/INSTALLERING AV BLADET

⚠ ADVARSEL: Beskytt alltid hendene med tunge hansker eller ved å pakke inn klippekanter med filler eller andre materialer når det utføres vedlikehold på klipperblader.

■ Fjerning av bladet (Fig. W).

MERK: Hvis bolten roterer sammen med motorakselen når du løsner bolten, vrir du viften for hånd for å justere inn hullene i viften med hullene i bladet, og setter en metalstang inn gjennom hullene.

■ Installering av blad

Etter monteringssekvensen i Fig. V, innrettes hullene i viften med hullene i bladet med vifteblad mot dekket og det trykte bladet siden mot utsiden (Fig. X). Trekk deretter til bladet som vist i Fig. X.

Fig. V og W delebeskrivelse, se nedenfor:

V-1	Vifte	V-5	Bolt
V-2	Indre flens	W-1	Stabilisator 1
V-3	Blad	W-2	Stabilisator 2
V-4	Ytre flens	W-3	14 mm fastnøkkel

MERK: Anbefalt dreiemoment for stramming av knivboltene er 49 til 59Nm.

LAGRING AV KLIPPEREN

- Fjern batteripakken fra klipperen og oppbevar den på et kjølig, tørt og rent sted. Ikke oppbevar den ved siden av etsende stoffer, så som gjødsel eller steinsalt.
- Oppbevar klipperen tildekket i et lukket rom, kjølig, tørt og utilgjengelig for barn.
- Ikke dekk til gressklipperen med solidide plastplater. Plastdeksler fanger fuktigheten rundt klipperen, noe som fører til rust og korrosjon.
- Klipperen kan lagres stående eller flatt (Fig. Z).

⚠ ADVARSEL: Hvis klipperen begynner å velte fra oppreist stilling, kan klipperen få skader eller det kan føre til personskader. Hold alltid klipperen stabil og utilgjengelig for barn når den er i oppreist stilling. Hvis mulig, legg den flatt ved lagring.

Beskytt miljøet



Elektrisk utstyr, batterilader og batterier/ oppladbare batterier skal ikke kastes i husholdningsavfall.

Ifølge EU-forskrift 2012/19/EU, skal elektrisk og elektronisk utstyr som ikke lenger er brukbart, og som i henhold til EU-forskrift 2006/66/EC har defekte eller brukte batteripakker/batterier, samles inn separat.

Hvis elektrisk apparater kastes på søppeffyllinger, kan farlige stoffer lekke ut i grunnvannet og komme inn i næringskjeden, og forårsake skader på helse og velvære.

NO

FEILSØKING

⚠ ADVARSEL: Ta alltid ut sikkerhetsnøkkelen og batteripakken ved service eller transport av klipperen. Beskytt alltid hendene med tunge hansker eller ved å pakke inn klippekanten med filler eller andre materialer når det utføres vedlikehold på klipperblader.

PROBLEM	ÅRSAK	LØSNING
Klipperen starter ikke	<ul style="list-style-type: none"> ■ Batteripakken er tom. ■ Batteripakken er ikke montert på plass i batterirommet. ■ Batteriet eller klipperens kretser er for varme. (Strømindikatoren på klipperen vil lyse i oransje i 10 sekunder) ■ Sideskinnene er ikke trukket ut til maksimal lengde, og klemmene er ikke i låst posisjon. ■ Håndtaket er ikke innstilt til en av de to driftstillingene. ■ Klippeaggregatet er tilstoppet med gress og rusk. 	<ul style="list-style-type: none"> ■ Lad opp batteripakken. ■ Fest batteripakken i klipperen, og trykk den ned til du hører et klikk. ■ La batteripakken eller klipperen kjøle seg ned til temperaturen synker under 67°C. ■ Strekk håndtaket helt ut, og lås begge klemmene. ■ Juster håndtaket til én av de to driftposisjonene. ■ Rengjør klipperaggregatet og sørg for at bladet har bevegelsesfrihet.
Klipperen klipper ujevnt	<ul style="list-style-type: none"> ■ Bladet er sløvt. ■ Klippehøyden er ikke riktig innstilt. ■ Bladet er satt sammen feil. 	<ul style="list-style-type: none"> ■ Skjerp eller bytt bladet. ■ Hev dekket til en høyere klippehøyde. ■ Monter bladet igjen – se avsnittet «INSTALLASJON AV BLADET» i denne bruksanvisningen.
Klipperen stopper under klipping	<ul style="list-style-type: none"> ■ Batteripakken er tom. ■ Klipperen er i overbelastningstilstand. ■ Klippeaggregatet er tilstoppet med gress og rusk. ■ Batteriet eller klipperens kretser er for varme. (Strømindikatoren på klipperen vil lyse i oransje i 10 sekunder.) ■ Sideskinnen trekkes inn litt av skyvekraften på håndtaket. 	<ul style="list-style-type: none"> ■ Lad opp batteripakken. ■ Hev klippehøyden eller klipp saktere. ■ Fjern blokkeringer i klippeaggregatet. Hev klippehøyden, eller klipp et smalt område. ■ La batteripakken eller klipperen kjøle seg ned til temperaturen synker under 67°C. ■ Lås opp klemmene. Strekk skinnene helt ut, og lås klemmene igjen.

NO

PROBLEM	ÅRSAK	LØSNING
Klipperen bioklipper ikke riktig	<ul style="list-style-type: none">■ Våte gressrester sitter fast på undersiden av aggregatet.■ Klipperen er satt til å klippe for mye gress på en gang.	<ul style="list-style-type: none">■ Vent til gresset tørker før du klipper det.■ Hev dekket til en høyere klippehøyde.
Det er overdrevne vibrasjoner	<ul style="list-style-type: none">■ Kuttebladet er løst.■ Kappeskiven er ubalansert.■ Kutterbladet er bøyd.■ Motorakselen er bøyd.	<ul style="list-style-type: none">■ Stram bladbolten.■ Balanser bladet i følge instruksjonene.■ Bytt knivbladet ut.■ Kontakt servicesenteret.
Håndtakets låseklemmer kan ikke lukkes i posisjon.	<ul style="list-style-type: none">■ Sideskinnene ikke er trukket helt ut.	<ul style="list-style-type: none">■ Strekk sideskinnene helt ut, og lås klemmene.

NO

GARANTI

EGO GARANTIREGLER

Besøk nettsiden egopowerplus.com for å se fullstendige vilkår og betingelser for EGO-garantireglene.

ПРОЧИТАЙТЕ ВСЕ ИНСТРУКЦИИ!



ПРОЧИТАЙТЕ РУКОВОДСТВО ПОЛЬЗОВАТЕЛЯ

▲ ПРЕДУПРЕЖДЕНИЕ. Чтобы обеспечить безопасность и надежность устройства, его ремонт и замену частей должен выполнять квалифицированный специалист.

Назначение и возможное неправильное использование Данное устройство предназначено только для скашивания травы на домашних участках. Оно не предназначено для скашивания слишком высокой, сухой или мокрой травы (например на пастбищах), а также для измельчения листьев. Устройство должно использоваться только по назначению. Любое другое использование, кроме упомянутого, считается ненадлежащим.

СИМВОЛЫ БЕЗОПАСНОСТИ

Символы безопасности предназначены для привлечения внимания к возможным рискам. Символы безопасности, а также объяснения к ним, требуют особого внимания и понимания. Предупреждения по технике безопасности сами по себе не устраняют опасность. Инструкции и предупреждения не заменяют соответствующие меры по предотвращению несчастных случаев.

▲ ПРЕДУПРЕЖДЕНИЕ. Перед использованием устройства внимательно прочитайте все инструкции в данном руководстве пользователя и ознакомьтесь с предупреждающими символами безопасности, такими как «ОПАСНОСТЬ», «ПРЕДУПРЕЖДЕНИЕ» и «ВНИМАНИЕ». Несоблюдение всех приведенных ниже инструкций может привести к поражению электрическим током, возникновению пожара и/или получению серьезных травм.

ЗНАЧЕНИЕ СИМВОЛОВ

ПРЕДУПРЕЖДАЮЩИЙ СИМВОЛ Означает **УВЕДОМЛЕНИЯ, ПРЕДУПРЕЖДЕНИЯ и ПРЕДОСТЕРЕЖЕНИЯ.** Может использоваться с другими символами или изображениями.




▲ ПРЕДУПРЕЖДЕНИЕ. В результате работы электроинструмента в глаза могут попасть посторонние предметы, что приведет к серьезному повреждению глаз. Перед началом использования электроинструмента всегда надевайте защитную маску или защитные очки с боковыми щитками и полнопрофильную защитную маску (при необходимости). Поверх очков или стандартных защитных очков рекомендуется надевать безопасную маску с широким обзором.

МЕРЫ ПРЕДОСТОРОЖНОСТИ

На данной странице описаны предупреждающие символы, которые могут присутствовать на изделии. Прочитайте и разберитесь со всеми инструкциями на устройстве и соблюдайте их при сборке и эксплуатации инструмента.

	Предупре— ждение	Правила техники безопасности.
	Внимательно Прочитайте Руководство Пользователя.	Для снижения вероятности получения травм прежде чем работать с устройством, необходимо ознакомиться с руководством пользователя.
	Осторожно — острые ножи.	Ножи продолжают вращаться в течение некоторого времени после выключения двигателя. Перед проведением техобслуживания извлеките ключ. Перед настройкой или очисткой устройства отключите и снимите аккумуляторную батарею (или ключ).
	Не подпускайте к себе посторонних.	Следите за тем, чтобы люди и животные не приближались к работающей газонокосилке на расстояние менее 30 метров.
	Держите ноги и руки	Держите ноги и руки
	CE	Соответствует основным требованиям стандартов безопасности Европейских директив.
	UKCA	Данный продукт соответствует действующему законодательству Великобритании.
	WEEE	Неисправные электрические устройства нельзя выбрасывать вместе с бытовым мусором. Сдавайте их в авторизованные пункты сбора и утилизации.

RU

	Шум	Гарантированный уровень звуковой мощности. Уровень шума в окружающей среде в соответствии с директивой ЕС.
IPX4	Класс IP	Защита от воды 4 класса
V	Вольты	Напряжение
A	Амперы	Сила тока
Hz	Герцы	Частота (циклов в секунду)
W	Ватты	Мощность
min	Минуты	Время
	Переменный ток	Тип тока
	Постоянный ток	Тип или характеристики тока
n ₀	Холостой ход	Скорость вращения без нагрузки
.../min	В минуту	Оборотов в минуту

RU

ОБЩИЕ ПРАВИЛА ТЕХНИКИ БЕЗОПАСНОСТИ ПРИ РАБОТЕ С ЭЛЕКТРОИНСТРУМЕНТАМИ

⚠️ ПРЕДУПРЕЖДЕНИЕ. Прочитайте все правила безопасности, инструкции, иллюстрации и спецификации, прилагаемые к этому электроинструменту. Невыполнение изложенных ниже инструкций может привести к поражению электрическим током, пожару и (или) тяжелым травмам.

Сохраните все предупреждения и инструкции для использования в будущем.

Термин «электроинструмент» в предупреждениях означает электрический инструмент с питанием от сети (с кабелем) или электрический инструмент с питанием от аккумулятора (без кабеля).

БЕЗОПАСНОСТЬ РАБОЧЕГО МЕСТА

- **Обеспечьте чистоту и освещенность рабочего места.** Загроможденные и плохо освещенные места служат причиной несчастных случаев.

- **Не используйте электроинструменты во взрывоопасных местах, например вблизи горючих жидкостей, газов или пыли.** Электроинструменты генерируют искры, которые могут воспламенить пыль или испарения.
- **Не позволяйте детям и посторонним находиться вблизи работающего электроинструмента.** Отвлекающие факторы могут привести к потере контроля.

ЭЛЕКТРОБЕЗОПАСНОСТЬ

- **Вилка электроинструмента должна соответствовать розетке. Никогда не переделывайте вилку. Не используйте переходники для заземленного электроинструмента.** Использование оригинальных вилок и соответствующих им розеток уменьшает риск поражения электрическим током.
- **Избегайте прикосновений к заземленным объектам, таким как трубы, радиаторы, плиты и холодильники.** Риск поражения электрическим током выше, когда тело заземлено.
- **Не подвергайте электроинструменты воздействию дождя или влаги.** При попадании воды в электроинструмент увеличивается риск поражения электрическим током.
- **Обращайтесь с кабелем аккуратно. Никогда не переносите, не тяните и не выключайте электроинструмент за кабель. Держите кабель подальше от источников тепла, масла, острых предметов и движущихся частей.** Поврежденные и запутанные кабели повышают риск поражения электрическим током.
- **Для работы с электроинструментом вне помещения используйте предназначенный для этого удлинительный кабель.** Использование кабеля, подходящего для использования вне помещения, снижает риск поражения электрическим током.
- **Если использование электроинструмента в сыром месте неизбежно, подключайте его через устройство защитного отключения (УЗО).** Использование УЗО снижает риск поражения электрическим током.

ЛИЧНАЯ БЕЗОПАСНОСТЬ

- **При использовании электроинструмента будьте бдительны, следите за**

своими действиями и следуйте здравому смыслу. Не пользуйтесь электроинструментом, если вы устали или находитесь под воздействием наркотиков, алкоголя или медикаментов. Даже кратковременная невнимательность при работе с электроинструментом может привести к тяжелым травмам.

- **Используйте средства индивидуальной защиты. Всегда используйте защитные средства для глаз.** Защитное оборудование, такое как противопылевая маска, нескользкая предохранительная обувь, жесткая каска или устройства защиты органов слуха в соответствующих условиях уменьшает риск травмирования.
- **Не допускайте случайного запуска инструмента. Перед подключением электроинструмента к сети питания (или аккумулятора) и перед его переноской убедитесь, что выключатель находится в выключенном положении.** Не держите палец на выключателе при переноске электроинструментов и не включайте вилку в розетку, если электроинструмент включен. Это может привести к несчастному случаю.
- **Перед включением электроинструмента снимите с него регулировочные инструменты и гаечные ключи.** Регулировочный инструмент или гаечный ключ, оставленный на вращающейся части электроинструмента, может стать причиной травмы.
- **Не тянитесь. Всегда сохраняйте устойчивое положение и равновесие.** Это позволит лучше контролировать электроинструмент в непредвиденных ситуациях.
- **Одевайтесь надлежащим образом. Не надевайте свободную одежду и украшения. Держите волосы, одежду и перчатки подальше от движущихся частей.** Свободная одежда, украшения и длинные волосы могут попасть в движущиеся части.
- **При наличии устройств для отвода и сбора пыли убедитесь, что они подключены и правильно работают.** Использование пылеулавливающих устройств снижает вред, причиняемый пылью.
- **Не допускайте небрежности, которая может возникнуть из-за частого использования инструмента и повлечь за собой самоуверенность и игнорирование правил безопасности.** Неосторожное действие может причинить серьезную

травму за доли секунды.

ИСПОЛЬЗОВАНИЕ И ОБСЛУЖИВАНИЕ ЭЛЕКТРОИНСТРУМЕНТА

- **Не прикладывайте к электроинструменту чрезмерных усилий. Используйте подходящий для ваших задач электроинструмент.** Правильно выбранный электроинструмент более эффективен и безопасен при номинальной нагрузке.
- **Не используйте электроинструмент, если его выключатель неисправен.** Электроинструменты с неисправным выключателем опасны и подлежат ремонту.
- **Перед регулировкой, сменой аксессуаров или хранением отключите электроинструмент от сети питания и (или) аккумулятора.** Такие меры предосторожности уменьшают риск случайного запуска электроинструмента.
- **Храните неиспользуемые электроинструменты в местах, недоступных для детей, и не доверяйте электроинструмент лицам, не знакомым с ним и с этими инструкциями.** Электроинструменты опасны в руках неподготовленных пользователей.
- **Выполняйте техническое обслуживание электроинструментов и принадлежности. Проверьте выравнивание и сцепление подвижных деталей, наличие поломок и прочие условия, которые могут повлиять на работу электроинструмента. Если электроинструмент поврежден, перед использованием его необходимо отремонтировать.** Недостаточный уход за электроинструментом является причиной многих несчастных случаев.
- **Храните режущие инструменты в чистоте и заточенном состоянии.** Правильно обслуживаемые и хорошо заточенные режущие инструменты меньше заклинивают и лучше контролируются.
- **Используйте электроинструмент, аксессуары, насадки и т. п. в соответствии с этими инструкциями, учитывая условия и специфику выполняемой работы.** Использование электроинструмента для выполнения непредусмотренных операций может привести к опасным ситуациям.

RU

- Следите за тем, чтобы рукоятки и поверхности захвата были сухими и чистыми и на них не было масла или смазочного материала. Скользкие рукоятки и поверхности захвата могут привести к небезопасному обращению и (или) потере контроля над инструментом.

ЭКСПЛУАТАЦИЯ И ОБСЛУЖИВАНИЕ ИНСТРУМЕНТА С ПИТАНИЕМ ОТ АККУМУЛЯТОРА

- Заряжайте аккумулятор только с помощью зарядного устройства, указанного изготовителем. Зарядное устройство, предназначенное для одного типа аккумуляторных батарей, может стать причиной пожара при использовании с другим типом батарей.
- Используйте электроинструмент только со специально предназначенными для него аккумуляторами. Использование любого другого вида аккумуляторных батарей может стать причиной несчастных случаев или пожара.
- Когда аккумулятор не используется, храните его отдельно от металлических предметов — канцелярских скрепок, монет, ключей, гвоздей, винтов и др. — они могут соединить контакты. Короткое замыкание контактов аккумуляторной батареи может стать причиной ожогов или пожара.
- При неблагоприятных обстоятельствах из аккумулятора может потечь электролит; избегайте контакта с ним. При случайном контакте промойте водой. Если жидкость попала в глаза, обратитесь к врачу. Жидкость из аккумуляторной батареи может вызвать раздражение и ожоги.
- Не используйте аккумулятор и инструмент, если они повреждены или подвергались модификациям. Поведение поврежденных или модифицированных аккумуляторов может быть непредсказуемым, что приведет к возгоранию, взрыву и риску получения травм.
- Не подвергайте аккумуляторную батарею и инструмент воздействию огня и высокой температуры. Воздействие огня или температуры выше 130 °C может привести к взрыву.
- Следуйте всем инструкциям по зарядке и не заряжайте аккумулятор и инструмент при температуре,

выходящей за пределы указанного диапазона. Если зарядка выполняется неправильно или в условиях неподходящей температуры, это может привести к повреждению аккумулятора и возгоранию.

РЕМОНТ

- Ремонт электроинструмента должен производиться квалифицированным специалистом с использованием только идентичных запасных частей. Это обеспечит безопасную работу электроинструмента.
- Никогда не выполняйте обслуживание поврежденного аккумулятора. Обслуживание аккумуляторов должно выполняться только производителем или в авторизованном сервисном центре.

ПРАВИЛА ТЕХНИКИ БЕЗОПАСНОСТИ ПРИ РАБОТЕ С БЕСПРОВОДНОЙ ГАЗОНОКОСИЛКОЙ

⚠ ОПАСНО! При использовании данного устройства необходимо соблюдать меры предосторожности, указанные в настоящем руководстве. При работе с данным устройством, как и с любым электрооборудованием, небрежности или ошибки оператора могут привести к серьезным травмам. Данное устройство может травмировать руки или ноги, а также отбрасывать предметы. Несоблюдение всех инструкций по безопасности может привести к серьезным травмам или летальному исходу.

⚠ ПРЕДУПРЕЖДЕНИЕ. При использовании беспроводной газонокосилки необходимо соблюдать основные меры предосторожности для уменьшения вероятности возникновения пожара, поражения электрическим током и получения травм.

ВАЖНО!

ВНИМАТЕЛЬНО ПРОЧИТАЙТЕ ПЕРЕД ИСПОЛЬЗОВАНИЕМ. СОХРАНИТЕ ЭТО РУКОВОДСТВО ДЛЯ ИСПОЛЬЗОВАНИЯ В БУДУЩЕМ.

ПРАВИЛА ТЕХНИКИ БЕЗОПАСНОСТИ ПРИ РАБОТЕ С БЕСПРОВОДНОЙ ГАЗОНОКОСИЛКОЙ
ВНИМАНИЕ! НЕ КАСАЙТЕСЬ ВРАЩАЮЩЕГОСЯ РЕЖУЩЕГО ЭЛЕМЕНТА!

ОБУЧЕНИЕ

- Внимательно прочитайте инструкцию. Освойтесь с органами управления и научитесь правильно пользоваться устройством.
- Не разрешайте пользоваться устройством лицам, не прочитавшим настоящие инструкции, а также детям. Местные нормы могут ограничивать возраст оператора.
- Не используйте устройство, если рядом находятся люди, особенно дети, или животные.
- Оператор или владелец несут ответственность за несчастные случаи и ущерб, нанесенный другим людям или их имуществу.

ПОДГОТОВКА

- Для работы с газонокосилкой надевайте прочную обувь и длинные брюки.
- Не работайте босиком или в открытых сандалиях. Не надевайте свободную длинную одежду, а также одежду со свисающими завязками или ремнями.
- Тщательно осмотрите участок, где будет использоваться устройство, и уберите все камни, палки, провода, кости и другие посторонние предметы.
- Перед работой всегда осматривайте режущие элементы, болты и весь режущий узел на наличие признаков износа или повреждений. Заменяйте изношенные и поврежденные режущие элементы и болты сразу комплектом, чтобы не нарушать балансировку. Заменяйте поврежденные или неразборчивые этикетки.

ИСПОЛЬЗОВАНИЕ

- Работайте только при дневном свете или хорошем искусственном освещении.
- По возможности избегайте использования устройства в мокрой траве.
- На склонах всегда следите за тем, чтобы находиться в устойчивом положении.
- Передвигайтесь шагом, не бегайте.
- При использовании ротационных газонокосилок на колесиках перемещайтесь поперек склона — никогда не косите траву сверху вниз и снизу вверх.
- Будьте очень осторожны при перемене направления движения по склону.
- Не косите на слишком крутых склонах.
- Будьте предельно осторожны, двигаясь задним ходом или перемещая устройство по направлению к себе.

- Чтобы наклонить устройство для транспортировки через нетравянистый участок, а также для транспортировки на участок для обработки и с него, остановите вращающиеся режущие элементы.
- Не используйте устройство с поврежденными щитками и кожухами или без средств защиты, например без отражателей и (или) контейнера для сбора травы.
- Включите двигатель в соответствии с инструкцией. Ноги должны находиться на безопасном расстоянии от режущих элементов.
- Не наклоняйте устройство при включении двигателя, если процедура запуска этого не требует. В этом случае наклоняйте устройство в сторону от себя и не выше, чем требуется. Прежде чем опустить устройство на землю, убедитесь, что обе руки находятся в рабочем положении. Не запускайте устройство, стоя перед разгрузочным отверстием.
- Держите руки и ноги подальше от вращающихся деталей. Всегда держитесь на достаточном расстоянии от разгрузочных отверстий ротационных газонокосилок.
- Никогда не поднимайте и не переносите устройство с работающим двигателем.
- Перед выполнением регулировки или очистки отключите устройство и извлеките аккумулятор (или отключающее устройство) и убедитесь, что все движущиеся детали полностью остановились. Это необходимо также в следующих случаях:
 - когда отходите от устройства;
 - перед устранением засорения и очисткой разгрузочного желоба;
 - перед проверкой, очисткой или ремонтом устройства;
 - после столкновения с посторонним предметом. Осмотрите устройство на наличие повреждений и при необходимости отремонтируйте его.
- В случае чрезмерной вибрации устройства немедленно выполните следующее:
 - проверьте на наличие повреждений;
 - замените или отремонтируйте поврежденные детали;
 - проверьте наличие плохо закрепленных частей и при необходимости затяните их.

ОБСЛУЖИВАНИЕ И ХРАНЕНИЕ

- Соблюдайте осторожность во время регулировки устройства, чтобы пальцы не застряли между вращающимися режущими элементами и неподвижными частями устройства.

RU

- Следите за тем, чтобы все гайки, болты и винты были плотно затянуты — это обеспечит безопасную работу устройства.
- Регулярно проверяйте травосборник на наличие признаков износа и повреждений.
- В целях безопасности заменяйте изношенные и поврежденные детали.
- Не позволяйте детям выполнять очистку и техническое обслуживание устройства без наблюдения взрослых.
- При выполнении сервисного обслуживания режущих элементов помните, что они могут продолжать вращаться даже после отключения источника питания.
- На ротационных газонокосилках используйте только режущие элементы соответствующего типа.
- Используйте подходящее для ваших задач оборудование. Газонокосилку можно использовать только по назначению.
- Не тянитесь. Всегда сохраняйте устойчивое положение и равновесие.
- Предметы, попавшие под режущий элемент газонокосилки, могут стать причиной серьезных травм. Перед работой внимательно осмотрите газон и уберите с него все посторонние предметы.
- Прежде чем двигаться назад, оглянитесь и посмотрите вниз — сзади могут оказаться дети или другие люди.
- Данный инструмент — не игрушка. Всегда соблюдайте осторожность. Устройство предназначено только для одной цели — скашивания травы. Не используйте его в других целях.

ЛИЧНАЯ БЕЗОПАСНОСТЬ

Недостаточная осторожность в присутствии детей может привести к несчастным случаям. Детей часто привлекают газонокосилки. Они не понимают, насколько это может быть опасно. Помните, что дети никогда не сидят на месте и могут очень быстро оказаться там, где вы не ожидали.

- Не подпускайте детей к работающей газонокосилке. За ними должны присматривать другие взрослые.
- Будьте готовы выключить газонокосилку, если в рабочей зоне окажется ребенок.
- Будьте крайне осторожны при работе в местах с ограниченным обзором: в проходах, возле деревьев, кустов и других объектов, которые могут помешать увидеть ребенка, бегущего к газонокосилке.
- Следите за тем, чтобы дети не играли с газонокосилкой.
- Всегда выключайте устройство, прежде чем извлечь аккумулятор. Чтобы наклонить устройство для транспортировки через нетравянистый участок, а также для транспортировки на участок для обработки и с него, остановите вращающиеся режущие элементы.
- Перед работой всегда осматривайте режущие элементы, болты и весь режущий узел на наличие признаков износа или повреждений. Изношенные и поврежденные режущие элементы, болты и любые другие детали заменяйте комплектом — это позволит сохранить балансировку устройства. Заменяйте поврежденные и неразборчивые этикетки.
- Будьте предельно осторожны, двигаясь задним ходом или перемещая устройство по направлению к себе.
- Тщательно проверьте участок, где будет использоваться устройство. Уберите все камни, палки, провода, игрушки и другие посторонние предметы, о которые можно споткнуться и которые могут быть отброшены устройством. Отбрасываемые предметы могут нанести серьезные травмы. Планируйте маршрут передвижения таким образом, чтобы косилка не выбрасывала отходы на дорожки, тротуары, прохожих и т. д. Также следите за тем, чтобы выбрасываемые отходы не попадали на стены и другие препятствия, так как выброшенные предметы могут отскочить и попасть в вас.
- Во избежание контакта с режущим элементом и получения травм от выброшенных предметов стойте строго на месте оператора позади рукояток. Следите за тем, чтобы дети, посторонние и животные находились на расстоянии не менее 30 м от работающей газонокосилки. При появлении на участке посторонних лиц остановите устройство.
- Во время работы и при выполнении регулировок или ремонта устройства надевайте защитные очки. Выброшенные предметы могут отскочить и травмировать глаза. При работе в пыльной среде обязательно надевайте маску или респиратор.

RU

ИСПОЛЬЗОВАНИЕ

ОБЩИЕ УКАЗАНИЯ ПО ЭКСПЛУАТАЦИИ

- Перед сборкой устройства внимательно прочитайте настоящее руководство пользователя. Перед работой внимательно прочитайте и соблюдайте все инструкции, приведенные на устройстве и в руководстве пользователя. Перед использованием газонокосилки полностью изучите все органы управления и научитесь правильному использованию устройства. Сохраните настоящее руководство в надежном месте для справки и заказа запасных частей.

- Одевайтесь надлежащим образом. Не надевайте свободную одежду и украшения. Они могут попасть в движущиеся части. При работе на открытом воздухе рекомендуется использовать резиновые перчатки и прочную обувь. Надевайте прочные ботинки на жесткой подошве, облегаящие брюки и рубашки. Рубашки и брюки должны полностью закрывать руки и ноги. Кроме того, рекомендуется носить ботинки со стальным носком. Не работайте босиком, в сандалиях, в скользкой или легкой обуви (например, в кедах).
- Не подставляйте руки и ноги под платформу газонокосилки и не держите их рядом с вращающимися деталями. Контакт с режущими элементами может привести к травмам рук или ног.
- Отсутствие крышек на разгрузочных отверстиях или использование поврежденных крышек может привести к травмам из-за контакта с режущим элементом или от выброшенных предметов.
- Частой причиной травм является ситуация, когда оператор споткнулся или поскользнулся и упал, потянув на себя газонокосилку, которая проехала по его ноге. В случае падения не держитесь за газонокосилку, немедленно отпустите ее рукоятку.
- Не тяните газонокосилку на себя, когда идете. Если необходимо отодвинуть газонокосилку от стены или препятствия, сначала оглянитесь и посмотрите под ноги, чтобы не поскользнуться, а затем выполните следующие действия.
 - Отступите назад от газонокосилки, чтобы полностью выпрямить руки.
 - Убедитесь, что находитесь в устойчивом положении.
 - Медленно потяните газонокосилку назад не более чем на половину разделяющего вас расстояния.
 - При необходимости повторите эти действия.
- Не используйте газонокосилку в состоянии алкогольного или наркотического опьянения.
- Будьте осторожны и следите за своими действиями. Руководствуйтесь здравым смыслом. Не пользуйтесь газонокосилкой в состоянии усталости.
- Рукоятка управления двигателем/режущим элементом является защитным устройством. Не вмешивайтесь в ее работу. В противном случае она не сможет выполнять свои защитные функции, что приведет к получению травмы от контакта с вращающимся режущим элементом. Рукоятка управления двигателем/режущим элементом должна свободно перемещаться в обоих направлениях и автоматически возвращаться в исходное положение при отпускании.
- Не работайте в опасных условиях. Не используйте газонокосилку во влажных и мокрых местах.
- Не используйте во время дождя.
- Следите за тем, чтобы находиться в устойчивом положении. В результате соскальзывания или падения можно получить серьезную травму. Если вы чувствуете, что потеряли равновесие, немедленно отпустите рукоятку управления двигателем/режущим элементом. Режущий элемент остановится через три секунды.
- Останавливайте режущий элемент при пересечении травинок дорожек, тропинок и улиц.
- Если устройство начало сильно вибрировать, немедленно остановите двигатель и найдите причину. Обычно вибрация указывает на возникновение проблемы. Выполните следующее:
 - проверьте на наличие повреждений;
 - замените или отремонтируйте поврежденные детали;
 - проверьте наличие плохо закрепленных частей и при необходимости затяните их.
- Никогда не используйте газонокосилку, если щиток, крышка разгрузочного желоба, травосборник, вставка для приготовления мульчи, рукоятка управления двигателем/режущим элементом или другие устройства безопасности не установлены или не работают. Не используйте газонокосилку с поврежденными защитными устройствами. В противном случае велика вероятность получения травм.
- При возникновении ситуаций, не описанных в данном руководстве, соблюдайте осторожность и руководствуйтесь здравым смыслом. Обратитесь в сервисный центр EGO за помощью.
- Прежде чем выбрасывать устройство, необходимо извлечь аккумулятор.
- Аккумулятор необходимо утилизировать безопасным способом.

РАБОТА НА СКЛОНЕ

На склоне легко поскользнуться и упасть, что может стать причиной серьезных травм. На склонах всегда следите за тем, чтобы находиться в устойчивом положении. Работа на склонах требует повышенной внимательности. Не скашивайте траву на склоне, если вам неудобно на нем работать.

Рекомендуется

- Перемещайтесь только поперек склона, а не вверх и вниз. Будьте очень осторожны при перемене направления движения по склону.
- Осмотрите склон на наличие ям, ухабов, камней, незаметных объектов или неровностей, в результате которых можно поскользнуться или споткнуться. Препятствия могут быть незаметны из-за высокой травы.

Не рекомендуется

- Не скашивайте траву возле обрывов, канав и на берегах: вы можете потерять равновесие и упасть.
- Не работайте на уклонах более 15 градусов.
- Не скашивайте мокрую траву. Вы можете поскользнуться.

РЕМОНТ

⚠ ПРЕДУПРЕЖДЕНИЕ. Травосборник, крышка разгрузочного отверстия, боковой разгрузочный желоб, вставка для приготовления мульчи и задний щиток изнашиваются, вследствие чего движущиеся детали могут оказаться открытыми и устройство может начать выбрасывать посторонние предметы, что создает риск получения травм. В целях безопасности регулярно проверяйте все компоненты и немедленно заменяйте поврежденные детали на аналогичные, как указано в настоящем руководстве. Обратитесь в службу поддержки клиентов EGO или в ближайший сервисный центр EGO. Замена деталей и ремонтные работы должны производиться квалифицированными специалистами!

Если встроенная система защиты от перегрузок стала срабатывать слишком часто, обратитесь в службу поддержки клиентов EGO или в ближайший сервисный центр EGO.

- Не мойте газонокосилку водой из шланга, не допускайте попадания воды в двигатель и на электрические компоненты.
- Если газонокосилка не используется, извлеките ключ и уберите устройство в помещение. Прежде чем убрать устройство на хранение в закрытое помещение, дайте двигателю остыть. Газонокосилку следует хранить в сухом помещении, где она будет недоступна для детей. Для этого расположите ее высоко над полом либо закройте помещение на замок.
- При обслуживании устройства используйте только идентичные запасные части, указанные в настоящем руководстве. Использование деталей с другими характеристиками может привести к снижению эффективности работы и безопасности устройства.

- Перед выполнением обслуживания, очистки и перед удалением отходов из газонокосилки снимите или отключите аккумулятор.
- Соблюдайте инструкции по замене принадлежностей.
- Следите за тем, чтобы рукоятки были сухими и чистыми и на них не было масла или смазочного материала.
- Во избежание возгорания следите за тем, чтобы на крышке двигателя не скапливалась трава, листья и мусор.
- Периодически проверяйте надежность фиксации режущего элемента и крепежных болтов. Осматривайте режущий элемент на предмет повреждений (например изгибов, трещин и износа). Заменяйте режущие элементы только на идентичные (указаны в настоящем руководстве).
- Не забывайте ухаживать за газонокосилкой. Чтобы устройство работало эффективно и безопасно, режущий элемент должен быть острым и чистым. Режущие элементы газонокосилки очень острые — не порежьтесь. Будьте осторожны: при работе с режущими элементами их необходимо обернуть во что-нибудь или надеть перчатки.
- Никогда не демонтируйте и не модифицируйте защитные устройства. Регулярно проверяйте их функционирование. Никогда не выполняйте таких действий, которые могут помешать работе защитных устройств или снизить их эффективность.
- Перед регулировкой колес или высоты среза всегда останавливайте двигатель.
- При наезде на посторонний предмет остановите двигатель, извлеките ключ и тщательно осмотрите газонокосилку на предмет повреждений. Прежде чем продолжать работу, отремонтируйте газонокосилку при необходимости.
- Следите за состоянием этикеток с инструкциями и заменяйте их при необходимости. Обратитесь в службу поддержки клиентов EGO или в ближайший сервисный центр EGO. Замена деталей и ремонтные работы должны производиться квалифицированными специалистами!
- **СОХРАНИТЕ ДАННЫЕ ИНСТРУКЦИИ.** Регулярно просматривайте их и предоставляйте для ознакомления другим пользователям. Одалживая кому-либо устройство, передайте также данные инструкции для предотвращения неправильного использования и травм.

ЭКСПЛУАТАЦИЯ И ОБСЛУЖИВАНИЕ

RU

АККУМУЛЯТОРА

- Чтобы сохранить природные ресурсы, обеспечьте надлежащую переработку и утилизацию аккумулятора. В этом устройстве используется литий-ионный аккумулятор. Местное и федеральное законодательство могут запрещать выбрасывать литий-ионные аккумуляторы вместе с бытовыми отходами. Для получения информации о возможности переработки и способах утилизации обратитесь в местную организацию по утилизации.
- После извлечения аккумулятора для утилизации или вторичной переработки закройте его контакты сверхпрочной изоляционной лентой. Не пытайтесь уничтожить или разобрать аккумулятор и не извлекайте из него компоненты. Литий-ионные аккумуляторы необходимо перерабатывать или утилизировать надлежащим образом. Не прикасайтесь к клеммам металлическими предметами и (или) частями тела — это может привести к короткому замыканию. Храните в недоступном для детей месте. Несоблюдение данных правил может стать причиной возгорания и (или) получения серьезной травмы.
- **ПРИ НЕБЛАГОПРИЯТНЫХ ОБСТОЯТЕЛЬСТВАХ ИЗ АККУМУЛЯТОРА МОЖЕТ ПОТЕЧЬ ЭЛЕКТРОЛИТ. ИЗБЕГАЙТЕ КОНТАКТА С НИМ. ПРИ СЛУЧАЙНОМ КОНТАКТЕ ПРОМОЙТЕ ВОДОЙ. ЕСЛИ ЖИДКОСТЬ ПОПАЛА В ГЛАЗА, ОБРАТИТЕСЬ К ВРАЧУ.** Жидкость из аккумуляторной батареи может вызвать раздражение и ожоги.

ТЕХНИЧЕСКИЕ ХАРАКТЕРИСТИКИ

Номер модели	LM2020E	LM2020E-SP
Система механического привода	Нет	Да
Напряжение	56 В	56 В
Холостой ход	3000 /мин	3000 /мин
Высота среза	25-95 мм	25-95 мм
Рекомендуемая рабочая температура	0-40°C	0-40°C
Рекомендуемая температура хранения	-20-70°C	-20-70°C
Положения высоты среза	6	6
Размер платформы	51 см	51 см
Ширина среза	50 см	50 см

Объем мешка для травы	60 л	60 л	
Масса косилки (без аккумулятора, травы/мульчирующей вставки)	24,4 кг	27,2 кг	
Модель ножа	AB2001	AB2001	
Измеренный уровень звуковой мощности L_{WA}	91,5 дБ (A) K=1,80 дБ (A)	91,0 дБ (A) K=1,89 дБ (A)	
Уровень звукового давления на уровне уха оператора L_{PA} K=3 дБ(A)	79,5 дБ (A)	79,2 дБ (A)	
Гарантированный уровень звукового давления L_{WA} (в соответствии с 2000/14/EC)	93 дБ (A)	93 дБ (A)	
Вибрация a_{rh} K=1,5 м/с ²	Левая рукоятка	≤2,5 м/с ²	≤2,5 м/с ²
	Правая рукоятка	≤2,5 м/с ²	≤2,5 м/с ²
Тормоз ножа	Да	Да	

RU

- Номинальный уровень вибрации был измерен в соответствии со стандартными методиками, и полученное значение можно использовать для сравнения инструментов между собой.
- Значение номинального уровня вибрации также можно использовать для оценки воздействия инструмента на оператора.

ОБРАТИТЕ ВНИМАНИЕ: фактический уровень вибрации во время использования устройства может отличаться от номинального. Оператору рекомендуется надевать перчатки и средства защиты органов слуха.

КОМПЛЕКТ ПОСТАВКИ

ДЕТАЛЬ	КОЛИЧЕСТВО
Газонокосилка	1
Мешок для травы	1
Рама мешка для травы	1

Мульчирующая вставка	1
Боковой разгрузочный желоб	1
Предохранительный ключ	1
Руководство пользователя	1

ОПИСАНИЕ

ЗНАКОМСТВО С ГАЗОНОКОСИЛКОЙ

(рис. А, В, С, D и E)

- 1 Дуговой переключатель (рычаг переключателя)
- 2 Рукоятка
- 3 Предохранительная кнопка
- 4 Скоба активации механического привода
- 5 Фиксатор рукоятки
- 6 Мешок для травы
- 7 Рычаг регулировки высоты среза
- 8 Заднее колесо
- 9 Дверца боковой разгрузки
- 10 Платформа газонокосилки
- 11 Светодиодные фары
- 12 Крышка деки
- 13 Переднее колесо
- 14 Крышка аккумуляторного отсека
- 15 Задняя рукоятка
- 16 Рычаг быстрой регулировки
- 17 Лючок заднего разгрузочного отверстия
- 18 Боковая направляющая
- 19 Рычаг регулировки скорости движения
- 20 Задний щиток
- 21 Выключатель светодиодных фар
- 22 Индикатор питания
- 23 Кнопка фиксации аккумулятора
- 24 Замок ключа безопасности
- 25 ТРАВЫ/МУЛЬЧИРУЮЩЕЙ ВСТАВКИ
- 26 Боковой разгрузочный желоб

ЭКСПЛУАТАЦИЯ

УСТАНОВКА МЕШКА ДЛЯ ТРАВЫ

- 1) Наденьте мешок для травы на раму (рис. F).
- 2) Установите на раму верхние зажимы (рис. G), а затем прикрепите два боковых зажима. Нижний зажим устанавливается в последнюю очередь.
- 3) Мешок для травы в собранном виде показан на рис. H.

РЕГУЛИРОВКА СКЛАДНОЙ РУКОЯТКИ

▲ ВНИМАНИЕ! Не запускайте устройство, если рукоятка не зафиксирована в одном из трех рабочих положений (ВЕРХНЕМ, СРЕДНЕМ или НИЖНЕМ).

Газонокосилка поставляется с рукояткой, сложенной в ПОЛОЖЕНИЕ ДЛЯ КОМПАКТНОГО ХРАНЕНИЯ (рис. 1).

- 1) Нажмите и удерживайте рычаг быстрой регулировки, чтобы перевести рукоятку из ПОЛОЖЕНИЯ ДЛЯ КОМПАКТНОГО ХРАНЕНИЯ в другое положение.
- 2) Поднимите рукоятку и отпустите рычаг. Плавно перемещайте рукоятку вверх. Когда она встанет в одно из положений, показанных в рис. J, вы услышите и почувствуете, как сработали фиксаторы. сработали фиксаторы.

См. описание деталей на рис. J ниже:

J-1	Заблокированное положение для хранения
J-2	Положение установки и демонтажа травосборника
J-3	Верхнее рабочее положение
J-4	Среднее рабочее положение
J-5	Нижнее рабочее положение

УСТАНОВКА МЕШКА ДЛЯ ТРАВЫ/ МУЛЬЧИРУЮЩЕЙ ВСТАВКИ

▲ ВНИМАНИЕ! Не проводите никаких работ на газонокосилке, пока двигатель не остановится. Извлеките из устройства предохранительный ключ и дождитесь, пока нож не остановится.

ОБРАТИТЕ ВНИМАНИЕ: перед началом работы следует установить на косилку одно из необходимых приспособлений.

■ Установка/снятие мешка для травы (рис. K)

Установите рукоятку в удобное рабочее положение. Поднимите лючок заднего разгрузочного отверстия и наденьте мешок для травы на поворотный стержень. Чтобы снять мешок, просто приподнимите его, и он снимется со стержня. Отпустите лючок заднего разгрузочного отверстия.

ОБРАТИТЕ ВНИМАНИЕ: прежде чем устанавливать на устройство мешок для травы, снимите установленную мульчирующую вставку.

■ **Установка/снятие мульчирующей вставки (рис. L)**

Поднимите лючок заднего разгрузочного отверстия и поместите мульчирующую вставку в устройство. Поднимите вставку, чтобы снять ее с устройства. Отпустите лючок заднего разгрузочного отверстия.

■ **Установка/снятие бокового разгрузочного желоба (рис. M)**

Поднимите лючок бокового разгрузочного отверстия. Совместите прорезь на боковом разгрузочном желобе с выступом на лючке и плавно отпустите ее, чтобы, повернувшись на шарнире, она плотно легла на разгрузочный желоб. Для снятия бокового разгрузочного желоба его нужно приподнять и снять с выступа лючка бокового разгрузочного отверстия.

См. описание деталей на рис. M ниже:

M-1	Лючок бокового разгрузочного отверстия
M-2	Выступ
M-3	Прорезь
M-4	Боковой разгрузочный желоб
M-5	Стержень

ПРИМЕЧАНИЕ. Заглушка для приготовления мульчи должна устанавливаться только в том случае, если прикреплен боковой разгрузочный желоб.

РЕГУЛИРОВКА ВЫСОТЫ СРЕЗА (рис. N)

⚠ ВНИМАНИЕ! Не подставляйте ноги под платформу во время регулировки ее высоты. Можно выбрать один из 6 вариантов высоты среза от 25 до 95 мм. Выбирайте высоту среза исходя из типа и состояния травы.

ОБРАТИТЕ ВНИМАНИЕ: при перемещении устройства убедитесь, что высота среза стоит в положении 3 или выше. В противном случае можно повредить нож.

УСТАНОВКА/СНЯТИЕ АККУМУЛЯТОРНОЙ БАТАРЕИ (рис. O)

Используйте только аккумуляторы и зарядные устройства, указанные на рис. A.

ЗАРЯДИТЬ ПЕРЕД ПЕРВЫМ ИСПОЛЬЗОВАНИЕМ.

⚠ ВНИМАНИЕ! Не устанавливайте батарею на газонокосилку и не включайте устройство, если на нем неисправны или отсутствуют какие-либо детали — их необходимо отремонтировать или заменить. В противном случае велика вероятность получения травм.

Установка

Установите батарею в аккумуляторный отсек. Должен раздаться щелчок.

■ **Снятие**

Нажмите на кнопку фиксатора батареи, находящуюся в отсеке.

См. описание деталей на рис. O ниже:

O-1	Скважина предохранительного ключа
O-2	Предохранительный ключ
O-3	Кнопка фиксатора батареи

ОБРАТИТЕ ВНИМАНИЕ: прежде чем приступать к работе, убедитесь, что фиксатор сработал и батарея надежно сидит на месте.

ЗАПУСК/ОСТАНОВКА ГАЗОНОКОСИЛКИ

⚠ ВНИМАНИЕ! Использование газонокосилки может привести к попаданию посторонних предметов в глаза, что может стать причиной серьезных травм. Перед использованием устройства, а также для проведения регулировки или ремонта обязательно надевайте защитные очки.

⚠ ВНИМАНИЕ! Следите за тем, чтобы люди и животные не приближались к работающей газонокосилке на расстояние менее 30 метров.

⚠ ВНИМАНИЕ! Нож продолжает вращаться в течение нескольких секунд после выключения газонокосилки. Дождитесь, пока двигатель/нож остановятся, прежде чем снова запускать устройство. Не нажимайте на кнопку включения/выключения несколько раз подряд.

ПРЕДОХРАНИТЕЛЬНЫЙ КЛЮЧ

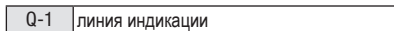
Беспроводная газонокосилка оборудована предохранительным ключом для защиты от случайного или несанкционированного запуска. Если с устройства снять предохранительный ключ, оно не будет работать.

RU

⚠ ОПАСНОСТЬ! Вращающийся нож может стать причиной серьезных травм. Во избежание травм всегда снимайте с устройства предохранительный ключ, если оставляете его без присмотра, а также при проведении регулировки, очистки, техобслуживания, при транспортировке и подъеме устройства, а кроме того, если вы убираете его на хранение.

ОБРАТИТЕ ВНИМАНИЕ: двигатель не будет запускаться в следующих случаях:

- Рукоятка не зафиксирована в одном из рабочих положений
- Боковые направляющие не выдвинуты до конца. (рис. P).
- Не зафиксирован один из зеленых фиксаторов рукоятки (рис. Q).



RU

⚠ ОСТОРОЖНО! Не вмешивайтесь в работу предохранительной кнопки и скобы-выключателя.

Запуск

- 1) Установите аккумуляторную батарею на газонокосилку, вставьте в устройство предохранительный ключ и закройте крышку аккумуляторного отсека (рис. O).
- 2) Нажмите кнопку предохранителя (см. Рис. R).
- 3) Удерживая нажатой кнопку включения, прижмите дуговой переключатель вверх к рукоятке и отпустите кнопку предохранителя (Рис. S).

Остановка

- 1) Отпустите скобу.
- 2) Электрическая система автоматического торможения остановит нож через 3 секунды после того, как вы отпустите скобу.

СИСТЕМА МЕХАНИЧЕСКОГО ПРИВОДА С РЕГУЛИРОВКОЙ СКОРОСТИ (LM2020E-SP)

Газонокосилка LM2020E-SP оборудована системой механического привода с регулировкой скорости. Данная система никак не связана с выключателем ножа и не зависит от вращения последнего.

Чтобы использовать систему, не включая нож, нажмите на рычаг системы механического привода.

Чтобы остановить устройство, отпустите рычаг. Скорость движения устройства можно регулировать. Для увеличения скорости передвиньте рычаг регулировки скорости движения вперед. Для уменьшения скорости передвиньте рычаг регулировки скорости движения назад (рис. T).

Кошение травы с помощью устройства

1. Включите газонокосилку.
2. Удерживая дуговой переключатель прижатым к рукоятке левой рукой, прижмите рычаг самоходной функции к рукоятке правой рукой.
3. Одновременно удерживайте дуговой переключатель и рычаг самоходной функции прижатыми к рукоятке правой рукой и используйте левую руку для регулировки скорости с помощью рычага регулировки скорости в самоходном режиме.

⚠ ВНИМАНИЕ! Во избежание травм не вмешивайтесь в работу выключателя или системы механического привода. Используйте механический привод только по назначению.

СВЕТОДИОДНЫЕ ФАРЫ (рис А-13)

Нажмите на кнопку (рис. С-22), чтобы включить/ выключить светодиодные фары, расположенные перед аккумуляторным отсеком.

ИНДИКАТОР ПИТАНИЯ (рис. U)

Газонокосилка оборудована индикатором питания, который отражает состояние устройства и показывает, когда батарея заряжается. Индикатор питания горит, когда вращается нож или включены светодиодные фары.

Индикатор питания газонокосилки	Значение	Действие
Светится зеленым	Газонокосилка работает нормально, заряд батареи выше 15%	Не требуется
Светится красным	Батарея разряжается	Остановите газонокосилку и зарядите батарею

Мигает красным	Батарея разряжена почти полностью	Остановите газонокосилку и зарядите батарею
Светится оранжевым	Перегрев газонокосилки или батареи	Снимите батарею с устройства, уберите ее в тень и дайте остыть в течение 15 минут
Мигает оранжевым	Перегрузка газонокосилки	Снизьте скорость работы или увеличьте высоту среза, чтобы уменьшить нагрузку

ЗАЩИТА ГАЗОНОКОСИЛКИ ОТ ПЕРЕГРУЗКИ

Для защиты устройства от перегрузки старайтесь не скашивать очень много травы за один заход. Снизьте скорость движения и увеличьте высоту среза.

Газонокосилка оборудована встроенной системой защиты электрических компонентов от перегрузки. В случае перегрузки двигатель останавливается, а индикатор питания начинает мигать оранжевым светом. Снимите с устройства аккумулятор. Проверьте, не набилась ли трава под платформу и при необходимости очистите. Установите аккумулятор на место и запустите газонокосилку.

ЗАЩИТА БАТАРЕИ ОТ ПЕРЕГРЕВА

При работе батарея нагревается. В жаркую погоду тепло рассеивается плохо. Если во время работы температура батареи превышает 70°C, система защиты немедленно отключает газонокосилку, чтобы защитить ее от повреждения. Индикатор питания загорается оранжевым светом. Отпустите скобу-выключатель, дождитесь, пока батарея остынет примерно до 67°C, а затем продолжайте работу.

ТЕХОБСЛУЖИВАНИЕ

⚠ ВНИМАНИЕ! Во избежание травм обязательно снимайте с устройства предохранительный ключ и аккумуляторную батарею, перед тем как проводить очистку или техобслуживание.

⚠ ВНИМАНИЕ! При проведении обслуживания используйте только идентичные запчасти. Использование других запчастей создает опасность получения травм и повреждения устройства. Для обеспечения безопасности и надежной эксплуатации устройства все ремонтные работы должны выполняться силами квалифицированных

специалистов.

ОЧИСТКА ГАЗОНОКОСИЛКИ

⚠ ВНИМАНИЕ! Обязательно снимайте с устройства предохранительный ключ и аккумулятор перед проведением обслуживания или транспортировкой.

Нижнюю сторону платформы газонокосилки необходимо очищать после каждого использования, так как там скапливаются обрезки травы, листья и другой мусор. Из-за этого металлические детали могут начать ржаветь, что приведет к снижению эффективности работы газонокосилки.

Удалите скопления травы и листьев вокруг приводного вала (только устройства LM2020E-SP) и вентилятора двигателя (не используйте воду для этого). Протрите газонокосилку влажной тканью.

СНЯТИЕ/УСТАНОВКА НОЖА

⚠ ВНИМАНИЕ! Во время обслуживания ножей газонокосилки защищайте руки: надевайте прочные перчатки или оборачивайте режущие кромки ножа ветошью или другим материалом.

■ Снятие ножа (рис. W).

ОБРАТИТЕ ВНИМАНИЕ: если при раскручивании вал двигателя проворачивается вместе с болтом, поверните вентилятор вручную так, чтобы отверстия в нем совпали с отверстиями в ноже, а затем вставьте в них металлический стержень

■ Установка ножа

Выполняйте установку в последовательности, показанной на рис. V так чтобы вентилятор был направлен к платформе, а нож — печатной стороной наружу. Совместите отверстия в вентиляторе с отверстиями в ноже (рис. X), а затем затяните нож, как показано на рис. X.

См. описание деталей на рис. V и W ниже:

V-1	Вентилятор	V-5	Болт
V-2	Внутренний фланец	W-1	Стабилизатор 1
V-3	Нож	W-2	Стабилизатор 2
V-4	Внешний фланец	W-3	Ключ на 14 мм

ОБРАТИТЕ ВНИМАНИЕ: рекомендованный момент затяжки болта составляет 49–59Нм.

RU

ХРАНЕНИЕ ГАЗОНОКОСИЛКИ

- Снимите с газонокосилки батарею и уберите устройство на хранение в прохладное, чистое и сухое место. Не храните устройство рядом с веществами, вызывающими коррозию, например с удобрениями или каменной солью.
- Храните газонокосилку в закрытом, сухом и прохладном помещении вне досягаемости детей.
- Не накрывайте газонокосилку пластиком. Пластиковые чехлы не дают испаряться влаге, которая может вызвать коррозию.
- Устройство можно хранить как в горизонтальном, так и в вертикальном положении (рис. Z).

⚠ ВНИМАНИЕ! Если устройство, стоящее в вертикальном положении, наклоняется, оно может упасть. Это влечет риск травм и поломки косилки. Если вы ставите устройство вертикально, следите за тем, чтобы оно стояло в устойчивом положении и чтобы дети не могли до него добраться. Старайтесь хранить устройство в горизонтальном положении, если это возможно.

RU

Защита окружающей среды



Не выбрасывайте электроприборы, зарядные устройства и аккумуляторные батареи вместе с бытовыми отходами!

Неиспользуемое электрическое и электронное оборудование (в соответствии с законом ЕС 2012/19/EU), а также неисправные или разряженные аккумуляторные батареи (в соответствии с законом ЕС 2006/66/EC) должны утилизироваться отдельно от другого мусора.

При утилизации электроприборов на свалках и полигонах ТБО опасные вещества могут попасть в грунтовые воды, а следовательно и в пищу, что создает угрозу здоровью и благосостоянию людей.

ПОИСК И УСТРАНЕНИЕ НЕИСПРАВНОСТЕЙ

⚠ ВНИМАНИЕ! Перед проведением обслуживания или транспортировкой устройства обязательно извлекайте предохранительный ключ и батарею. Во время обслуживания ножей газонокосилки защищайте руки: надевайте прочные перчатки или оборачивайте режущие кромки ножа ветошью или другим материалом.

ПРОБЛЕМА	ПРИЧИНА	РЕШЕНИЕ
Газонокосилка не запускается	<ul style="list-style-type: none"> ■ Разряжена батарея. ■ Аккумуляторная батарея не установлена в отсек. ■ Перегрев батареи или электрических цепей устройства. (Индикатор питания будет светиться оранжевым светом в течение 10 секунд) ■ Боковые направляющие не раскрыты полностью, на сработали фиксаторы. ■ Рукоятка не установлена в одно из двух рабочих положений. ■ Платформа газонокосилки забита травой и мусором. 	<ul style="list-style-type: none"> ■ Зарядите батарею. ■ Установите батарею в устройство и нажмите до щелчка. ■ Подождите, пока батарея или газонокосилка не остынут до 67°C. ■ Вытяните рукоятку до упора и зафиксируйте с помощью обоих фиксаторов. ■ Установите рукоятку в одно из двух рабочих положений. ■ Очистите платформу устройства и убедитесь, что нож свободно вращается.
Устройство неровно скашивает траву.	<ul style="list-style-type: none"> ■ Затупился нож. ■ Неправильно установлена высота среза. ■ Нож установлен неправильно. 	<ul style="list-style-type: none"> ■ Заточите или замените нож. ■ Поднимите платформу повыше. ■ Установите нож на место, как описано в разделе «УСТАНОВКА НОЖА» настоящего руководства.
Устройство неожиданно прекращает работу	<ul style="list-style-type: none"> ■ Разряжена батарея. ■ Перегрузка устройства. ■ Платформа газонокосилки забита травой и мусором. ■ Перегрев батареи или электрических цепей устройства. (Индикатор питания будет светиться оранжевым светом в течение 10 секунд). ■ Боковая направляющая немного сложилась из-за усилия, приложенного к рукоятке. 	<ul style="list-style-type: none"> ■ Зарядите батарею. ■ Увеличьте высоту среза или снизьте скорость работы. ■ Очистите платформу газонокосилки. Увеличьте высоту среза или скашивайте более узкую полосу травы. ■ Подождите, пока батарея или газонокосилка не остынут до 67°C. ■ Ослабьте фиксаторы. Вытяните боковые направляющие до конца и снова зафиксируйте их.

ПРОБЛЕМА	ПРИЧИНА	РЕШЕНИЕ
Устройство плохо выполняет мульчирование	<ul style="list-style-type: none"> ■ Обрезки мокрой травы налипли на нижнюю сторону платформы. ■ Устройство отрегулировано так, что срезает слишком много травы за один заход. 	<ul style="list-style-type: none"> ■ Дождитесь, пока трава подсохнет, прежде чем скашивать ее. ■ Поднимите платформу повыше.
Устройство сильно вибрирует	<ul style="list-style-type: none"> ■ Разболтался нож. ■ Нож разбалансирован. ■ Режущее приспособление погнуто. ■ Погнулся вал двигателя. 	<ul style="list-style-type: none"> ■ Затяните болт крепления ножа. ■ Отбалансируйте нож в соответствии с инструкциями в руководстве. ■ Замените нож. ■ Свяжитесь с сервисным центром.
Фиксаторы рукоятки не удерживают нужное положение	<ul style="list-style-type: none"> ■ Боковые направляющие вытянуты не до конца. 	<ul style="list-style-type: none"> ■ Вытяните боковые направляющие до упора и затяните фиксаторы.

RU

ГАРАНТИЯ

ГАРАНТИЙНАЯ ПОЛИТИКА EGO

Посетите веб-сайт egopowerplus.com, чтобы ознакомиться со всеми условиями и сроками гарантийной политики EGO.

PRZECZYTAJ WSZYSTKIE INSTRUKCJE!



PRZECZYTAJ INSTRUKCJĘ OPERATORA

⚠ OSTRZEŻENIE Aby zagwarantować bezpieczeństwo i niezawodność, wszystkie naprawy i wymiany części powinny być wykonywane przez wykwalifikowanych techników serwisu.

Przeznaczenie i przewidywane przykłady

niewłaściwego użycia: Urządzenie jest przeznaczone do koszenia trawy wyłącznie w ogrodach domowych. Kosiarki nie należy używać do koszenia trawy wyjątkowo wysokiej, suchej lub mokrej, np. pastwisk, a także do rozdrabniania liści. Narzędzia należy używać wyłącznie do przewidzianych celów. Wszelkie inne zastosowania uznaje się za niezgodne z przeznaczeniem.

SYMBOLE BEZPIECZEŃSTWA

Celem symboli bezpieczeństwa jest zwrócenie uwagi użytkownika na możliwe zagrożenia. Symbole bezpieczeństwa i objaśnienia do nich zasługują na to, by je uważnie przestudiować i zrozumieć. Symbole bezpieczeństwa nie eliminują same z siebie jakichkolwiek zagrożeń. Podawane w nich instrukcje i ostrzeżenia nie zastępują odpowiednich środków zapobiegania wypadkom.

⚠ OSTRZEŻENIE Przed użyciem narzędzia prosimy przeczytać i zrozumieć wszystkie instrukcje dotyczące bezpieczeństwa podane w podręczniku użytkownika, łącznie z wszystkimi symbolami ostrzegawczymi takimi jak „**NIEBEZPIECZEŃSTWO**”, „**OSTRZEŻENIE**” i „**UWAGA**”. Niestosowanie się do wszystkich podanych niżej instrukcji może doprowadzić do porażenia prądem, pożaru i/lub poważnych obrażeń.

ZNACZENIE SYMBOLI

SYMBOL OSTRZEGAWCZY: Oznacza **NIEBEZPIECZEŃSTWO, OSTRZEŻENIE** lub **PRZESTROGĘ**. Może być używany razem z innymi symbolami lub piktogramami.




⚠ OSTRZEŻENIE Praca elektronarzędziami może spowodować wyrzucenie ciał obcych w oczy użytkownika, co może doprowadzić do poważnych urazów oczu. Przed rozpoczęciem pracy elektronarzędziem należy zawsze założyć gogle ochronne lub okulary z osłonami bocznymi, a w stosownych przypadkach także pełną osłonę na twarz. Zalecamy nakładanie na zwykłe okulary maski zabezpieczającej o szerokim polu widzenia lub stosowanie standardowych okularów zabezpieczających z osłonami bocznymi.

INSTRUKCJE BEZPIECZEŃSTWA

Strona ta przedstawia i opisuje symbole bezpieczeństwa, które mogą pojawić się na tym urządzeniu. Przeczytaj ze zrozumieniem i przestrzegaj wszystkich instrukcji na urządzeniu przed jego montażem i obsługą.

	Ostrzeżenie przed niebezpieczeństwem	Zasady związane z bezpieczeństwem użytkownika.
	Przeczytaj instrukcję użytkownika	Aby zmniejszyć ryzyko obrażeń, użytkownik powinien przeczytać ze zrozumieniem instrukcje użytkownika przed obsługą tego urządzenia.
	Uważaj na ostre ostrza.	Ostrza wciąż się kręcą po wyłączeniu silnika - Wyjmij urządzenie odłączające przed konserwacją. Wyłącz i wyjmij wymienny akumulator (lub urządzenie odłączające) przed regulacją lub czyszczeniem.
	Osoby postronne zatrzymaj w bezpiecznej odległości	Upewnij się, że inne osoby oraz zwierzęta pozostają w odległości co najmniej 30m od włączonej kosiarki.
	Trzymaj stopy i dłonie z daleka	Trzymaj stopy i dłonie z daleka
	CE	Produkt jest zgodny z obowiązującymi dyrektywami WE.
	UKCA	Produkt jest zgodny z obowiązującym ustawodawstwem Wielkiej Brytanii.
	WEEE	Zużytych urządzeń elektrycznych nie należy wyrzucać razem ze zwykłymi odpadami domowymi. Należy je oddać do autoryzowanego punktu recyklingu.

PL

	Hałas	Gwarantowany poziom mocy akustycznej. Emisja hałasu do środowiska zgodnie z dyrektywą Wspólnoty Europejskiej.
IPX4	Symbol IP	Zabezpieczenie przed dostaniem się wody do środka, stopień 4
V	Wolt	Napięcie
A	Ampery	Prąd
Hz	Herc	Częstotliwość (cykle na sekundę)
W	Wat	Moc
min	Minuty	Czas
	Prąd przemienny	Rodzaj prądu
	Prąd stały	Rodzaj lub charakterystyka prądu
n ₀	Prędkość bez obciążenia	Prędkość obrotowa, bez obciążenia
... /min	na minutę	Obroty na minutę

PL

OGÓLNE OSTRZEŻENIA DOTYCZĄCE BEZPIECZEŃSTWA UŻYWANIA ELEKTRONARZĘDZI

⚠ OSTRZEŻENIE: PROSIMY PRZECZYTAĆ WSZYSTKIE OSTRZEŻENIA I INSTRUKCJE ORAZ PRZESTUDIOWAĆ SPECYFIKACJĘ I ILUSTRACJE DOSTARCZONE WRAZ Z ELEKTRONARZĘDZIEM. Niestosowanie się do wszystkich podanych niżej instrukcji może doprowadzić do porażenia prądem, pożaru i/lub poważnych obrażeń.

PROSIMY ZACHOWAĆ NA PRZYSZŁOŚĆ WSZYSTKIE OSTRZEŻENIA I INSTRUKCJE.

Termin „elektronarzędzie” występujący w ostrzeżeniach dotyczy narzędzia elektrycznego o zasilaniu sieciowym (przewodowego) lub akumulatorowym (beprzewodowego).

BEZPIECZEŃSTWO W MIEJSCU PRACY

- Należy dbać o czystość i dobre oświetlenie w miejscu pracy. Bałagan i złe oświetlenie sprzyjają wypadkom.

- Nie należy używać elektronarzędzi w miejscach zagrożonych wybuchem, np. w obecności łatwopalnych cieczy, gazów lub pyłu. Elektronarzędzia wytwarzają iskry, które mogą zapalić opary lub pył.
- W czasie pracy elektronarzędzie należy trzymać z dala od dzieci i osób postronnych. Chwila nieuwagi może spowodować utratę kontroli nad urządzeniem.

BEZPIECZEŃSTWO ELEKTRYCZNE

- Wtyczki elektronarzędzi muszą pasować do gniazdek. Nigdy w jakikolwiek sposób nie wolno przerabiać wtyczki. Do elektronarzędzi wymagających uziemienia nie należy używać przejściówek. Oryginalne wtyczki i pasujące do nich gniazdzka zmniejszają ryzyko porażenia prądem.
- Należy unikać dotykania ciałem powierzchni uziemionych, takich jak np. rury, kaloryfery, kuchenki i lodówki. Uziemienie ciała zwiększa ryzyko porażenia prądem.
- Elektronarzędzia należy chronić przed deszczem i wilgocią. Woda dostająca się do wnętrza elektronarzędzia zwiększa ryzyko porażenia prądem.
- Nie należy nadwyręzać przewodu. Nigdy nie należy używać przewodu do noszenia lub ciągnięcia elektronarzędzia; nie należy chwycić za przewód, aby wyjąć wtyczkę z kontaktu. Przewód należy chronić przed gorącym, ropą, olejem, ostrymi krawędziami i poruszającymi się częściami. Zapłątane lub uszkodzone przewody zwiększają ryzyko porażenia prądem.
- Podczas używania elektronarzędzia na dworku należy stosować przedłużacz nadający się do używania na dworku. Używanie przewodu przeznaczonego do stosowania na dworku zmniejsza ryzyko porażenia prądem.
- Jeżeli użycie elektronarzędzia w miejscu o dużej wilgotności jest nieuniknione, należy stosować zasilanie zabezpieczone wyłącznikiem różnicowoprądowym. Używanie wyłącznika różnicowoprądowego zmniejsza ryzyko porażenia prądem.

BEZPIECZEŃSTWO OSOBISTE

- Podczas pracy narzędziem należy zachowywać czujność, patrzeć, co się robi i kierować się zdrowym rozsądkiem. Nie należy używać elektronarzędzia,

gdy użytkownik jest zmęczony, albo jest pod wpływem narkotyków, alkoholu lub leków. Chwila nieuwagi w czasie posługiwania się elektronarzędziami może spowodować poważne obrażenia.

- **Należy używać środków ochrony osobistej. Należy zawsze nosić okulary ochronne.** Stosowanie w odpowiednich warunkach sprzętu ochronnego takiego jak np. maska przeciwpyłowa, obuwie ochronne z podszewkami antypoślizgowymi, kask lub ochronniki słuchu zmniejszy ewentualne obrażenia.
- **Nie należy dopuszczać do przypadkowego włączenia. Należy pilnować, aby przed podłączeniem narzędzia do zasilania i/lub baterii akumulatorowej oraz przed podniesieniem i przenoszeniem przełącznik był ustawiony w pozycji „wylączone”.** Trzymanie palca na przełączniku włączającym w czasie przenoszenia elektronarzędzi lub podłączanie ich do zasilania, gdy przełącznik ustawiony jest w pozycji „włączone”, może doprowadzić do wypadku.
- **Przed włączeniem elektronarzędzia należy usunąć wszystkie klucze regulacyjne i inne narzędzia.** Klucz zaczepiony o obracającą się część elektronarzędzia może spowodować obrażenia.
- **Nie należy sięgać za daleko. Należy zawsze dbać o utrzymanie równowagi i pewne podparcie nóg.** W nieprzewidzianych sytuacjach zapewni to lepszą kontrolę nad elektronarzędziem.
- **Należy nosić odpowiednią odzież. Nie powinno się nosić luźnych ubrań ani biżuterii. Włosy, odzież i rękawice należy trzymać z dala od poruszających się części.** Luźne ubrania, biżuteria lub długie włosy mogą zaczepić się o poruszające się części.
- **Jeżeli urządzenie jest przystosowane do podłączania do odsysacza pyłu i urządzenia zbierającego, należy dopilnować, aby systemy te były podłączone i właściwie stosowane.** Używanie urządzeń służących do pochłaniania pyłu może zmniejszyć zagrożenia związane z pyłem.

- **Nie wolno dopuścić do tego, aby poczucie znajomości narzędzia wynikające z jego częstego używania doprowadziło do lekceważenia i ignorowania zasad bezpieczeństwa.** Jedno lekkomyślne działanie może w ułamku sekundy doprowadzić do ciężkich urazów.

UŻYWANIE I KONSERWOWANIE ELEKTRONARZĘDZI

- **Elektronarzędzia nie należy forsować. Należy używać narzędzia dostosowanego do wykonywanej pracy.** Odpowiednie narzędzie elektryczne wykona pracę lepiej i bezpieczniej, gdy pozwoli mu się pracować z prędkością/obrotami do jakich zostało zaprojektowane.
- **Nie należy używać elektronarzędzia, jeżeli przełącznik zasilania nie włącza go lub nie wylącza.** Elektronarzędzie, którego nie da się kontrolować przełącznikiem, jest potencjalnie niebezpieczne i wymaga naprawy.
- **Przed jakąkolwiek regulacją, wymianą akcesoriów lub schowaniem elektronarzędzia należy wyjąć wtyczkę z gniazdka i/lub odłączyć od narzędzia akumulator.** Tego typu zapobiegawcze środki ostrożności zmniejszają ryzyko przypadkowego włączenia się elektronarzędzia.
- **Nieużywane elektronarzędzia należy przechowywać w miejscu niedostępnym dla dzieci. Osobom, które nie znają narzędzia lub nie zapoznały się z instrukcją nie należy pozwalać go używać.** W rękach nieprzeszkolonych użytkowników elektronarzędzia mogą stanowić zagrożenie.
- **Elektronarzędzia i akcesoria należy utrzymywać w dobrym stanie. Należy kontrolować, czy części ruchome nie są odchylone od osi, nie zacinają się i nie są pęknięte lub uszkodzone w inny sposób, który mógłby wpłynąć na działanie elektronarzędzia. W razie uszkodzenia, przed użyciem narzędzie należy oddać do naprawy.** Wiele wypadków wynika ze złej konserwacji elektronarzędzi.
- **Należy dbać o czystość i naostrzenie narzędzi tnących.** Odpowiednio utrzymane narzędzia tnące z ostrymi krawędziami tnącymi są mniej narażone na zakleszczanie się i łatwiej jest je kontrolować.

- **Elektronarzędzi, akcesoriów, wiertel, bitów, itp. należy używać zgodnie z niniejszą instrukcją, z uwzględnieniem warunków i rodzaju wykonywanej pracy.** Korzystanie z elektronarzędzi niezgodnie z przeznaczeniem może prowadzić do niebezpiecznych sytuacji.
- **Należy dbać o to, aby uchwyty i powierzchnie do trzymania były suche, czyste i niezaplamione olejem lub smarem.** Śliskie uchwyty i powierzchnie do trzymania mogą prowadzić do niebezpiecznych sytuacji i/lub utraty kontroli nad narzędziem.

UŻYWANIE I KONSERWOWANIE NARZĘDZI AKUMULATOROWYCH

- **Do ładowania należy używać wyłącznie ładowarki wskazanej przez producenta.** Użycie ładowarki pochodzącej od jednego akumulatora do ładowania innego akumulatora grozi pożarem.
- **Elektronarzędzi należy używać wyłącznie z dedykowanymi do nich akumulatorami.** Użycie jakichkolwiek innych akumulatorów grozi obrażeniami i pożarem.
- **Jeżeli akumulator nie jest używany, należy go przechowywać z dala od innych przedmiotów metalowych, np. spinaczy, monet, kluczy, gwoździ, śrub i innych drobnych przedmiotów metalowych, które mogłyby spowodować zwarcie wyprowadzeń akumulatora.** Zwarcie wyprowadzeń akumulatora może doprowadzić do oparzenia lub pożaru.
- **W niesprzyjających warunkach może dojść do wycieku cieczy z akumulatora. Należy wtedy unikać wszelkiego kontaktu z tą cieczą. W razie przypadkowego kontaktu ze skórą, zabrudzone miejsce należy obficie przemyć wodą. Jeżeli płyn dostanie się do oczu, należy dodatkowo zasięgnąć porady lekarza.** Płyn wyciekający z akumulatora może powodować podrażnienie lub oparzenia.
- **Nie należy używać akumulatora lub narzędzia, które są uszkodzone lub zostały poddane przeróbkom.** Uszkodzone lub zmodyfikowane akumulatory mogą zachowywać się w sposób nieprzewidywalny, co może doprowadzić do pożaru lub wybuchu lub stwarzać ryzyko urazów.
- **Nie należy narażać akumulatora lub narzędzia na kontakt z ogniem lub zbyt wysokimi temperaturami.** Ogień lub temperatury przekraczające 130°C mogą doprowadzić do wybuchu.
- **Należy przestrzegać wszystkich instrukcji ładowania. Nie należy ładować**

akumulatora lub narzędzia poza przedziałem temperatur podanym w instrukcji. Ładowanie w sposób nieprawidłowy lub w temperaturze wykraczającej poza określony zakres może doprowadzić do uszkodzenia akumulatora i zwiększa ryzyko pożaru.

SERWISOWANIE

- **Serwisowanie elektronarzędzia należy powierzać wykwalifikowanemu serwisantowi, a do naprawy używać wyłącznie części zamiennych identycznych z oryginalnymi.** Zapewni to bezpieczeństwo eksploatacji elektronarzędzia.
- **Uszkodzonych akumulatorów nie należy nigdy naprawiać.** Jakikolwiek czynności serwisowe przy akumulatorach powinny być wykonywane wyłącznie przez producenta lub pracowników autoryzowanego serwisu.

ZASADY BEZPIECZEŃSTWA DLA KOSIARKI DO TRAWY

⚠ NIEBEZPIECZEŃSTWO: Urządzenie to powinno być obsługiwane zgodnie z zasadami bezpiecznego działania zawartymi w niniejszej instrukcji. Jak w przypadku innego sprzętu elektrycznego, niedbalstwo lub błąd użytkownika może spowodować poważne obrażenia. Urządzenie to może być przyczyną obrażeń rąk i stóp i może wyrzucać przedmioty. Nieprzestrzeganie wszystkich tych instrukcji może spowodować poważne obrażenia lub śmierć.

⚠ OSTRZEŻENIE: Przy używaniu bezprzewodowych kosiarek do trawy należy przestrzegać podstawowych środków bezpieczeństwa, aby zmniejszyć ryzyko pożaru, porażenia prądem i obrażeń ciała.

WAŻNE

PRZECZYTAJ UWAGNIE PRZED ZASTOSOWANIEM. ZACHOWAJ, GDYŻ MOŻE BYĆ UŻYTECZNE W PRZYSZŁOŚCI.

ZASADY BEZPIECZEŃSTWA DLA KOSIARKI DO TRAWY:

UWAGA-NIE DOTYKAJ RUCHOMYCH OSTRZY!

SZKOLENIE

- Przeczytaj uważnie instrukcję. Zapoznaj się z funkcjami sterowania oraz właściwym korzystaniem z urządzenia
- Nigdy nie pozwalaj dzieciom lub osobom, które nie zapoznały się z niniejszą instrukcją na używanie urządzenia. Miejscowe rozporządzenia mogą ograniczać wiek operatora.

- Nie używaj kosiarki, jeśli w pobliżu znajdują się dzieci lub zwierzęta.
- Operator lub użytkownik ponoszą odpowiedzialność w przypadku wypadków lub zagrożeń dla innych osób lub ich własności.

PRZYGOTOWANIE

- Podczas koszenia noś zawsze solidne buty oraz długie spodnie.
- Nie używaj urządzenia bez butów lub w sandałach. Nie noś luźnych ubrań lub z wiszącymi frędzlami.
- Uważnie skontroluj obszar, na którym zamierzasz stosować urządzenie, usuń wszystkie kamienie, patyki, przewody, kości i inne obce przedmioty.
- Przed użyciem sprawdzaj zawsze wizualnie czy ostrza, śruby ostrzy i zestaw tnący nie są zużyte lub uszkodzone. Wymień uszkodzone lub zużyte ostrza i śruby parami, aby zachować równowagę. Wymień uszkodzone lub nieczytelne etykiety.

OBŚLUGA

- Koś trawnik jedynie przy dziennym świetle lub przy dobrym sztucznym oświetleniu.
- Unikaj używania urządzenia w mokrej trawie, w miarę możliwości.
- Upewnij się zawsze, że masz punkt oparcia na stokach.
- Nigdy nie biegaj.
- W przypadku kosiarek obrotowych na kółkach, koś naprzeciw zbocza, nigdy z góry na dół ani z dołu do góry
- Zachowaj szczególną ostrożność przy zmianie kierunku na zboczu.
- Nie koś na bardzo stromych zboczach.
- Zachowaj szczególną uwagę, kiedy cofasz lub pociągasz urządzenie w swoją stronę.
- Zatrzymaj nóż, jeśli urządzenie musi być przechylone w celu przeniesienia przy przekraczaniu powierzchni bez trawy i przy przenoszeniu urządzenia na obszar pracy.
- Nigdy nie używaj urządzenia z uszkodzonymi osłonami, bez zamontowanego pojemnika na trawę, bez zamontowanej osłony przeciwkamiennej lub innych elementów ochronnych.
- Włącz silnik zgodnie z instrukcjami i uważaj, aby nogi były oddalone od noży.
- Nie pochylaj urządzenia przy włączaniu silnika, chyba, że urządzenie musi być pochylone przy rozruchu. W tym przypadku nie pochylaj więcej niż potrzeba i podnieś jedynie część, która jest oddalona od operatora. Zawsze upewnij się, że obie ręce są w pozycji obsługi zanim skierujesz urządzenie do ziemi.

- Nie włączaj urządzenia, kiedy stoisz naprzeciw kanału wyładowania trawy.
- Nie umieszczaj rąk lub nóg w pobliżu lub pod ruchomymi częściami. W przypadku kosiarek obrotowych zawsze należy stać poza otworem wylotowym.
- Nigdy nie przenoś lub nie noś urządzenia przy włączonym silniku.
- Przed regulacją lub czyszczeniem wyłącz i wyjmij zdejmowany akumulator (lub urządzenie odłączające) i upewnij się, że wszystkie ruchome części całkowicie się zatrzymały:
 - za każdym razem, gdy oddalasz się od urządzenia;
 - przed czyszczeniem blokad lub odblokowaniem koryta;
 - przed kontrolą, czyszczeniem lub obsługą urządzenia;
 - po uderzeniu w obcy przedmiot. Sprawdź, czy urządzenie nie jest uszkodzone i napraw, w razie potrzeby.
- Zatrzymaj silnik, jeśli przy pracy urządzenia pojawią się nienormalne wibracje (sprawdź natychmiast przyczynę):
 - sprawdź, czy nie jest uszkodzone;
 - wymień lub napraw uszkodzone części;
 - sprawdź, czy nie ma poluzowanych części.

PL

KONSERWACJA I PRZECHOWYWANIE

- Podczas regulacji urządzenia zachowaj ostrożność, by palce nie zostały wcignięte między ruchome ostrza i stałe części urządzenia.
- Sprawdź, czy wszystkie nakrętki, śruby są mocno przykręcone, aby zapewnić pracę z urządzeniem w bezpiecznych warunkach.
- Regularnie sprawdzaj, czy pojemnik na trawę nie jest zużyty lub zniszczony.
- Wymień zużyte lub uszkodzone części dla bezpieczeństwa.
- Dzieci nie mogą bez nadzoru wykonywać czynności związanych z czyszczeniem i konserwacją.
- Podczas prac serwisowych pamiętaj, że nawet jeśli źródło zasilania jest odłączone, to ostrza mogą się ruszać.
- W przypadku kosiarek obrotowych upewnij się, że używane są tylko odpowiedniego rodzaju elementy tnące.

BEZPIECZEŃSTWO OSOBISTE

Tragiczne wypadki mogą się zdarzyć, jeśli użytkownik jest powiadomiony o obecności dzieci. Dzieci często pociągają kosiarkę i czynność koszenia. Nie zdają sobie sprawy z niebezpieczeństwa. Nigdy nie oczekuj, że dzieci pozostaną w tym samym miejscu, gdzie je widziałeś po raz ostatni.

- Pilnuj, by dzieci były oddalone od strefy koszenia i znajdowały się pod uważną opieką odpowiedzialnej osoby dorosłej innej niż użytkownik kosiarki.
- Zachowaj ostrożność i wyłącz kosiarkę, jak tylko dziecko znajdzie się w strefie koszenia.
- Zachowaj szczególną ostrożność, gdy zbliżasz się ślepych rogów, przejść, krzaków lub innych przedmiotów, które mogą zasłonić widok dziecka biegnącego w stronę kosiarki.
- Aby nie dopuścić do zabawy kosiarką, dzieci powinny pozostawać pod opieką osób dorosłych.
- Zawsze wyłącz kosiarkę, gdy wyjmiesz akumulator z urządzenia. Zatrzymaj nóż/noże, jeśli urządzenie musi być przechylone w celu przeniesienia przy przekraczaniu powierzchni bez trawy i przy przenoszeniu urządzenia na obszar pracy.

PL

DZIAŁANIE OGÓLNE DZIAŁANIE:

- Przeczytaj uważnie całą instrukcję obsługi użytkownika, przed montażem urządzenia. Przeczytaj ze zrozumieniem i przestrzegaj wszystkich instrukcji na urządzeniu i w instrukcji obsługi przed jego obsługą. Zapoznaj się z kontrolkami i właściwą obsługą urządzenia przez użyciem. Przechowuj instrukcję w bezpiecznym miejscu do przyszłych i regularnych referencji i do zamówień części zamiennych.
- Używaj właściwego urządzenia - nie używaj kosiarki do innych czynności, niż te do których jest przeznaczona.
- Nie sięgaj za daleko - Utrzymuj cały czas właściwą postawę i równowagę.
- Przedmioty, o które uderza kosiarka mogą spowodować poważne obrażenia u osób. Należy zawsze sprawdzać uważnie trawnik i usunąć z niego wszelkie przedmioty przed każdym koszeniem.
- Przed cofaniem się i podczas cofania, patrz do tyłu i w dół, by sprawdzić, czy nie w pobliżu małych dzieci i innych osób.
- To urządzenie nie jest zabawką. Z tego względu zachowaj cały czas szczególną ostrożność. Urządzenie to zostało przeznaczone do jednej czynności: koszenia trawnika. Nie używaj go do innych celów.
- Nie przeciążaj kosiarki - będzie lepiej i bezpieczniej działała, jeśli będzie używana z właściwą prędkością.
- Przed użyciem sprawdzaj zawsze wizualnie czy ostrza, śruby ostrzy i zestaw tnący nie są zużyte lub uszkodzone. Wymień zużyte lub uszkodzone ostrza i nakrętki oraz inne elementy w tym samym czasie, by zachować równowagę. Wymień uszkodzone lub nieczytelne etykiety.
- Zachowaj szczególną uwagę, kiedy cofasz lub pociągasz urządzenie w swoją stronę.
- Dokładnie sprawdź strefę, w której urządzenie będzie używane. Usuń wszystkie kamienie, patyki, przewody, zabawki oraz inne obce przedmioty, o które można się potknąć lub które mogą być wyrzucone przez ostrze. Wyrzucane przedmioty mogą spowodować poważne obrażenia. Zaplanuj trasę koszenia, by uniknąć wyrzucania materiału na drogi, chodniki i osoby postronne. Unikaj również wyrzucania materiału w kierunku ściany lub przeszkody, co może spowodować odbicie rykoszetem materiału w stronę użytkownika.
- Aby uniknąć kontaktu z ostrzami lub obrażeniami przez wyrzucone przedmioty, nie wykraczaj poza strefę koszenia i pilnuj, by dzieci, osoby postronne, osoby pomagające oraz zwierzęta znajdowały się w odległości co najmniej 30 metrów od pracującej kosiarki. Zatrzymaj urządzenie, gdy ktoś wejdzie do strefy roboczej.
- Zawsze noś okulary ochronne lub osłonę na oczy podczas obsługi i czynności regulacyjnych lub naprawczych, by chronić oczy. Wyrzucone przedmioty mogą spowodować poważne obrażenia oczu. Podczas pracy powodującej pylenie używaj maseczki przeciwpyłowej na twarz.
- Noś odpowiednie ubranie - Nie noś luźnych ubrań i biżuterii. Mogą być one wciągnięte przez ruchome części. Zaleca się noszenie gumowych rękawic i obuwia podczas pracy na zewnątrz. Noś stabilne obuwie o szorstkiej podeszwie oraz wąskie spodnie i bluzki. Zaleca się noszenie bluzek i spodni okrywających ramiona i nogi oraz obuwia z metalowym podnoskiem. Nigdy nie obsługuj urządzenia na bosą, w sandałach, śliskim lub lekkim (np. płóciennym) obuwiu.
- Nie zbliżaj rąk i nóg do ruchomych części i nie wkładaj ich pod spód pokrywy. Zbliżenie rąk i stóp do ostrza może spowodować ich zranienie.
- Brakująca lub uszkodzona pokrywa może spowodować dotknięcie ostrzy i obrażenia spowodowane wyrzucenymi przedmiotami.
- Wiele obrażeń jest spowodowanych przeciągnięciem kosiarki nad stopą podczas upadku na skutek poślizgnięcia się lub potknięcia. Nie trzymaj się kosiarki podczas upadku, natychmiast ją puść.
- Nie pociągaj nigdy kosiarki do siebie jak idziesz. Jeśli musisz pociągnąć kosiarkę do tyłu od ściany lub od przeszkody, najpierw spójrz w dół i do tyłu, by uniknąć potknięcia się i postępuj zgodnie z następującymi etapami:

- Odsuń się od kosiarki, by wyciągnąć ramię na całą długość.
- Upewnij się, że zachowujesz równowagę i masz dobre oparcie na nogi.
- Pociągnij powoli kosiarkę do połowy odległości od siebie.
- Powtórz czynności w razie potrzeby.
- Nie używaj urządzenia pod wpływem alkoholu lub narkotyków.
- Nigdy nie używaj urządzenia z uszkodzonymi osłonami, bez zamontowanego pojemnika na trawę, bez zamontowanej osłony przeciwkamiennej lub innych elementów ochronnych.
- Zachowaj czujność - patrz na to, co robisz. Kieruj się zdrowym rozsądkiem. Nie używaj kosiarki do trawy, kiedy jesteś zmęczony.
- Uchwyt sterujący silnika/ostrza jest mechanizmem zabezpieczającym. Nigdy nie próbuj obchodzić jego działania. Mechanizm ten będzie mógł wtedy działać, co może spowodować obrażenia na skutek dotknięcia ruchomego ostrza. Uchwyt sterujący silnika/ostrza musi swobodnie działać w dwóch kierunkach i automatycznie powraca do wyłączonej pozycji, gdy jest zwolniony.
- Unikaj niebezpiecznych środowisk - Nie zostawiaj kosiarki w miejscach wilgotnych lub mokrych.
- Nie używaj podczas deszczu.
- Upewnij się zawsze, że masz punkt oparcia. Poślizgnięcie się i upadek mogą spowodować poważne obrażenia. Jeśli czujesz, że tracisz oparcie, zwolnij natychmiast uchwyt sterujący silnika/ostrza a ostrze przestanie się obracać w ciągu trzech sekund.
- Załóż ostrze, gdy przechodzi przez żwirówce, podłoże, chodniki lub drogi.
- Jeśli sprzęt znacznie nietypowo wibruje, wyłącz silnik i poszukaj natychmiast przyczyny. Wibracje stanowią zazwyczaj objaw usterek.
 - Sprawdź, czy nie jest uszkodzone;
 - Wymień lub napraw uszkodzone części, które mogą być wymienione przez użytkownika;
 - Sprawdź, czy nie ma poluzowanych części.
- Nigdy nie używaj kosiarki bez właściwej osłony tylnej, pokrywy wyladowania, worka na trawę, przysłony do mulczowania, bocznego wylotu, uchwytu sterującego silnika/ostrza lub innych elementów zabezpieczających. Nigdy nie używaj kosiarki z uszkodzonymi elementami zabezpieczającymi. Nieprzestrzeganie tego zalecenia może spowodować poważne obrażenia.
- Jeśli wystąpi jakaś sytuacja nieopisana w niniejszej instrukcji, zachowaj ostrożność i użyj odpowiedniego osądzenia. Skontaktuj się z punktem obsługi klienta EGO.
- Akumulator musi być wyjęty z urządzenia przed wyrzuceniem.

- Należy bezpiecznie wyrzucać akumulator.

OBŚLUGA NA ZBOCZACH:

Zbocza są głównym czynnikiem poślizgnięć i upadków, które mogą powodować poważne obrażenia. Upewnij się zawsze, że masz punkt oparcia na zboczach. Obsługa na zboczach wymaga dodatkowej ostrożności. Jeśli nie czujesz się pewnie na zboczach, nie koś tam trawy.

Wykonaj następujące czynności:

- Koś naprzeciw zbocza, nigdy do góry na dół ani z dołu do góry. Zachowaj szczególną ostrożność przy zmianie kierunku na zboczu.
- Uważaj na dziury, skały, ukryte przedmioty lub wyboje, które mogą spowodować poślizgnięcie lub potknięcie. Wysoka trawa maskuje przeszkody.

Nie wykonuj następujących czynności:

- Nie koś w pobliżu pochylonych powierzchni, rowów i nasypów, możesz stracić oparcie lub równowagę.
- Nie należy kosić zboczy o nachyleniu większym niż 15 stopni.
- Nie koś mokrej trawy. Niestabilne oparcie może spowodować poślizgnięcie.

KONTROLA

⚠ OSTRZEŻENIE: Elementy worka na trawę, pokrywa wyladowania, boczny wylot, przysłona do mulczowania, osłona tylna mogą się zużyć i uszkodzić, co spowoduje odsłonięcie ruchomych części lub wyrzucanie przedmiotów i może zwiększyć zagrożenie. Dla bezpieczeństwa kontroluj regularnie wszystkie elementy i natychmiast wymień uszkodzone części na identyczne, wymienione w niniejszej instrukcji. Skontaktuj się z punktem obsługi klienta EGO lub najbliższym punktem serwisowym EGO. Naprawy i wymiana powinny być wykonane przez serwisanta z odpowiednimi kwalifikacjami!

- Jeśli przełącznik wewnętrznego zabezpieczenia przeciwprzeciążeniowego włącza się często, skontaktuj się z punktem obsługi klienta EGO lub najbliższy punkt serwisowy EGO.
- Nie czyść kosiarki wężem; woda nie powinna się dostać do silnika ani przewodów elektrycznych.
- Wyjmij klucz i przechowuj wyłączoną kosiarkę wewnątrz, gdy nie jest używana. Odczekaj, aż silnik ochłodzi się przed przechowywaniem. Przechowuj kosiarkę do trawy w suchym, wysoko położonym lub zamkniętym pomieszczeniu, poza zasięgiem dzieci.
- Podczas prac serwisowych używaj wyłącznie części zamiennych identycznych z częściami wymienionymi w niniejszej instrukcji. Stosowanie części, które nie spełniają oryginalnych specyfikacji sprzętu może spowodować

niewłaściwe działania i narazić na niebezpieczeństwo.

- Wymij lub odłącz akumulator przed przystąpieniem do czynności serwisowych, czyszczenia lub wymiowania materiału z kosiarki.
- Przestrzegaj instrukcji dotyczących wymiany akcesoriów.
- Pilnuj, aby uchwyty były suche, czyste i pozbawione śladów oleju i smarów.
- Aby zmniejszyć ryzyko pożaru, pilnuj, by pokrywa silnika nie była pokryta trawą, liśćmi lub zanieczyszczeniami.
- Sprawdź regularnie, czy śruby mocujące ostrzy i silnika są właściwie przykręcone. Sprawdź wizualnie, czy ostrza nie są uszkodzone (np. wygięte, pęknięte lub zużyte). Wymień ostrza wyłącznie na identyczne ostrza, wymienione w niniejszej instrukcji.
- Dbaj o kosiarkę - pilnuj, by ostrza były ostre i czyste dla lepszego i bezpiecznego działania. Ostrza kosiarki są ostre i mogą skaleczyć. Okręć ostrza lub włóż rękawice i zachowaj szczególną ostrożność przy czynnościach konserwacyjnych.
- Nigdy nie wyjmuj i nie manipuluj elementów zabezpieczających. regularnie sprawdzaj ich właściwe działanie. Nigdy nie wykonuj czynności przeszkadzających w wykonywaniu oryginalnych funkcji elementów zabezpieczających lub zmniejszających zabezpieczenie, które mają one zapewnić.
- Zawsze wyłączaj silnik przed regulacji kół lub ustawianiem wysokości cięcia.
- Po uderzeniu w obcy przedmiot, wyłącz silnik, wyjmij klucz i dokładnie sprawdź, czy kosiarka nie została uszkodzona. Napraw uszkodzenie przed włączeniem kosiarki.
- Dbaj i wymieniaj plakietki z informacjami o bezpieczeństwie i instrukcjami, w razie potrzeby.. Skontaktuj się z punktem obsługi klienta EGO lub najbliższym punktem serwisowym EGO. Naprawy i wymiana powinny być wykonane przez serwisanta z odpowiednimi kwalifikacjami!
- INSTRUKCJE TE NALEŻY ZACHOWAĆ.** Konsultuj je często i korzystaj z nich, by informować innych użytkowników tego urządzenia. Jeśli pożyczasz urządzenie innej osobie, przekazaj jej również instrukcje obsługi, by uniknąć niewłaściwego używania urządzenia i obrażeń.

OBŚLUGA I KONSERWACJA AKUMULATORA

- Aby chronić zasoby naturalne, należy utylizować lub wyrzucać akumulator we właściwy sposób. Urządzenie to zawiera litowo-jonowy akumulator. Miejscowe lub krajowe przepisy zabraniają wyrzucania baterii litowo-jonowych ze zwykłymi śmieciami. Skontaktuj się z miejscowymi władzami, w celu uzyskania informacji o dostępnych opcjach wyrzucania i/lub utylizacji.
- Przed wyjęciem akumulatora, w celu jego wyrzucenia lub utylizacji, zaklej jego wyprowadzenia wytrzymałą taśmą klejącą. Nie próbuj niszczyć lub rozkładać akumulatora lub wyjmować jakiegokolwiek jego elementy.

Litowo-jonowe baterie powinny być utylizowane lub wyrzucone w odpowiednim miejscu. Nigdy nie dotykaj wyprowadzeń metalowymi przedmiotami i/lub częściami ciała, gdyż może to spowodować krótkie spięcie. Przechowuj z dala od dzieci. Nieprzestrzeganie tych ostrzeżeń może spowodować pożar lub/i poważne obrażenia.

- W TRUDNYCH WARUNKACH Z BATERII MOŻE WYDOSTAWAĆ SIĘ PŁYN; UNIKAĆ KONTAKTU. W RAZIE PRZYPADKOWEGO KONTAKTU ZE SKÓRĄ OBFICIE PRZEMYJ WODĄ, JEŚLI PŁYN DOSTAŁ SIĘ DO OCZU, ZASIĘ GNIJ PORADY LEKARZA.** Płyn, który wypłynął z baterii może spowodować podrażnienia lub oparzenia.

SPECYFIKACJE

Numer modelu	LM2020E	LM2020E-SP
System samonapędzający	Nr	Tak
Napięcie	56 V	56 V
Prędkość bez obciążenia	3000 /min	3000 /min
Wysokość cięcia	25-95 mm	25-95 mm
Zalecana temperatura użytkowania:	0°C-40°C	0°C-40°C
Zalecana temperatura przechowywania:	-20°C-70°C	-20°C-70°C
Pozycje wysokości cięcia	6	6
Rozmiar pokrywy	51 cm	51 cm
Szerokość cięcia	50 cm	50 cm
Pojemność pojemnika na ściętą trawę	60 L	60 L
Ciężar kosiarki (bez akumulatora, wkładka do mulczowania)	24,4 kg	27,2 kg
Model ostrza	AB2001	AB2001
Mierzony poziom mocy akustycznej L _{WA}	91,5 dB(A) K=1,80 dB(A)	91,0 dB(A) K=1,89 dB(A)
Poziom ciśnienia dźwięku przy uchu operatora L _{PA} K=3 dB(A)	79,5 dB(A)	79,2 dB(A)
Gwarantowany poziom mocy akustycznej L _{WA} (zgodnie z 2000/14/EC)	93 dB(A)	93 dB(A)
Drgania a _h K=1,5 m/s ²	Uchwyt lewy	≤2,5 m/s ²
	Uchwyt prawy	≤2,5 m/s ²

Hamulec ostrza	Tak	Tak
----------------	-----	-----

Deklarowana całkowita wartość wibracji została zmierzona zgodnie ze standardowymi metodami testowania i może być używana do porównywania różnych narzędzi;

- Deklarowana całkowita wartość wibracji może również być używana do wstępnej oceny narażenia na drgania.

UWAGA: Emisja dźwięku podczas rzeczywistego stosowania elektronarzędzia może różnić się od deklarowanej wartości, w której narzędzie jest używane; aby się zabezpieczyć, użytkownik powinien nosić rękawice i ochronniki na uszy w rzeczywistych warunkach użytkowania.

LISTA ELEMENTÓW W OPAKOWANIU

NAZWA CZĘŚCI	ILOŚĆ
Kosiarka do trawy	1
Worek na trawę	1
Rama pojemnika na trawę	1
Przysłona do mulczowania	1
Boczny wylot	1
Klucz zabezpieczający	1
Instrukcja użytkownika	1

OPIS

ZAPOZNAJ SIĘ ZE SWOJĄ KOSIARKĄ

(Rys. A & B & C & D & E)

- 1 Ciężno przełącznikowe (Dźwignia przełączająca)
- 2 Uchwyt
- 3 Przycisk bezpieczeństwa
- 4 Spust samonapędzania
- 5 Zacisk blokujący uchwyt
- 6 Worek na trawę
- 7 Dźwignia regulacji wysokości cięcia
- 8 Tylne koło
- 9 Boczna kłapa wyrzutowa
- 10 Pokrywa kosiarki
- 11 Reflektory LED
- 12 Pokrywa
- 13 Przednie koło
- 14 Pokrywa akumulatora
- 15 Uchwyt tylny
- 16 Dźwignia szybkiego ustawiania
- 17 Tylne drzwiczki wyrzutu trawy

- 18 Boczna szyna
- 19 Samonapędzana dźwignia kontroli prędkości
- 20 Osłona tylna
- 21 Przycisk do reflektorów LED
- 22 Wskaźnik zasilania
- 23 Przycisk odblokowujący akumulator
- 24 Stacyjka na kluczyk zabezpieczający
- 25 Wkładka do mulczowania
- 26 Boczna rynna wyrzutowa

OBSŁUGA

MONTAŻ WORKA NA TRAWĘ

- 1) Wsuń worek na trawę do ramki (Rys. F).
- 2) Zamontuj górne zaciski na ramie (Rys. G), a następnie zamontuj dwa boczne zaciski. Zamontuj na końcu dolny zacisk.
- 3) Całkowicie złożony worek na trawę jest przedstawiony na Rys. H.

REGULACJA SKŁADANEGO UCHWYTU

⚠ OSTRZEŻENIE: Nie próbuj uruchamiać kosiarki, jeśli uchwyt nie jest zablokowany w jednej z trzech zaprogramowanych pozycji (GÓRNE POŁOŻENIE DZIAŁANIA, ŚREDNIE POŁOŻENIE DZIAŁANIA lub DOLNE POŁOŻENIE DZIAŁANIA).

Kosiarka jest dostarczona z uchwytem w ZABLOKOWANYM POŁOŻENIU DO PRZECHOWYWANIA (Rys. I).

- 1) Wciśnij i przytrzymaj dźwignię szybkiego ustawiania, by zwolnić uchwyt z ZABLOKOWANEGO POŁOŻENIA DO PRZECHOWYWANIA.
- 2) Podnieś uchwyt ze złożonego położenia i zwolnij dźwignię. Przekręć delikatnie uchwyt do góry na wysokość ucha i włóż sworzeź blokujący w jedną z różnych pozycji, przedstawionych na Rys. J.

Opis części z Rys. J poniżej:

J-1	Pozycja zablokowana na czas przechowywania
J-2	Pozycja zakładania/wyjmowania pojemnika na trawę
J-3	Górna pozycja robocza
J-4	Środkowa pozycja robocza
J-5	Dolna pozycja robocza

PL

MOCOWANIE/WYJMOWANIE WORKA NA TRAWĘ/ PRZYŚLONY DO MULCZOWANIA

⚠ OSTRZEŻENIE: Przed każdą regulacją kosiarki wyłącz silnik i wyjmij klucz zabezpieczający i odczekaj, aż ostrze przestanie się obracać.

■ Mocowanie/Wyjmowanie worka na trawę (Rys. K)

Ustaw uchwyt w żądanym położeniu działania. Podnieś tylne drzwiczki wyrzutu trawy i zaczepek worka na trawę haczykami do trzpienia obrotowego. Aby go wyjąć, unieś worka na trawę, wyjmij trzpień obrotowy. Na koniec zamknij tylne drzwiczki wyrzutu trawy.

UWAGA: Wyjmij zamontowaną przysłonę do mulczowania z kosiarki przed zamocowaniem worka na trawę.

■ Mocowanie/Wyjmowanie przysłony do mulczowania (Rys. L)

Podnieś tylne drzwiczki wyrzutu trawy i włóż przysłonę do mulczowania do kosiarki. Aby ją wyjąć, po prostu ją wyciągnij. Na koniec zamknij tylne drzwiczki wyrzutu trawy

■ Mocowanie/Wyjmowanie bocznego wykotu (Rys. M)

Podnieś boczne drzwiczki wyrzutu. Wyrównaj szczelinę wylotu z pokrętkiem drzwiczek wyrzutu i zwolnij delikatnie boczny wylot, aby przekreślił się wokół trzpienia obrotowego i zatrzymał się mocno w wylocie. Aby go wyjąć, podnieś boczne drzwiczki, podnieś boczny wylot, wyjmij pokrętło mocujące drzwiczek.

Opis części z Rys. M poniżej:

M-1	Boczne drzwiczki wyrzutu trawy
M-2	Pokrętło montażu
M-3	Szczelina montażu
M-4	Boczny wylot
M-5	Sworzeń

UWAGA: W przypadku zamontowania prowadnicy wyrzutu bocznego konieczne jest zainstalowanie wkładki do mulczowania.

REGULACJA WYSOKOŚCI CIĘCIA (Rys. N)

⚠ OSTRZEŻENIE: Nie zbliżaj nóg do pokrywy, gdy ustawiasz wysokość. Kosiarkę można ustawić na 6 wysokości cięcia między 25 mm i 95 mm. Wybierz właściwą wysokość cięcia w zależności od rodzaju i warunków trawy.

UWAGA: Przy poruszaniu urządzeniem upewnij się, że wysokość cięcia jest ustawiona na 3 lub więcej. Nieprzestrzeganie tego zalecenia może spowodować uszkodzenie ostrza.

MONTOWANIE/WYJMOWANIE AKUMULATORA (Rys. O)

W urządzeniu należy używać wyłącznie akumulatorów i ładowarek podanych na rys. A.

NAŁADUJ PRZED UŻYCIEM.

⚠ OSTRZEŻENIE: Jeśli jakiegokolwiek części są złamane lub ich nie ma, nie próbuj montować akumulatora na kosiarce lub używać kosiarki do chwili, gdy wszystkie uszkodzone lub brakujące części zostaną wymienione. Nieprzestrzeganie tego zalecenia może spowodować poważne obrażenia.

■ Montowanie

Wsuń akumulator do pojemnika na akumulator, aż usłyszysz kliknięcie.

■ Wyjmowanie

Wciśnij przycisk zwalniający akumulator w pojemniku.

Opis części z Rys. O poniżej:

O-1	Szczelina na klucz zabezpieczający
O-2	Klucz zabezpieczający
O-3	Przycisk zwalniający akumulator

UWAGA: Upewnij się, że zatrzask na kosiarce zablokuje się we właściwej pozycji i że akumulator jest zablokowany w kosiarce.

URUCHAMIANIE/WYŁĄCZANIE KOSIARKI

⚠ OSTRZEŻENIE: Stosowanie kosiarek do trawy może spowodować dostanie się obcych przedmiotów do oczu, co może spowodować poważne obrażenia oczu. Zawsze noś okulary ochronne podczas obsługi kosiarki lub podczas jej ustawiania lub naprawiania.

⚠ OSTRZEŻENIE: Upewnij się, że inne osoby oraz zwierzęta pozostają w odległości co najmniej 30m od włączonej kosiarki.

⚠ OSTRZEŻENIE: Ostrza ruszają się przez kilka sekund po wyłączeniu kosiarki. Odczekaj, aż silnik/ ostrza przestaną się obracać przed ponownym uruchomieniem. Nie wyłączaj i nie włączaj kosiarki w krótkich odstępach.

KLUCZ ZABEZPIECZAJĄCY

Aby zapobiec przypadkowemu uruchomieniu lub nieupoważnionemu używaniu bezprzewodowej kosiarki, został do niej dołączony klucz zabezpieczający. Kosiarka będzie całkowicie wyłączona, gdy klucz zabezpieczający jest z niej wyjęty.

⚠ NIEBEZPIECZEŃSTWO: Obracające się ostrza mogą spowodować poważne obrażenia. Aby zapobiec poważnym obrażeniom, wyjmij klucz zabezpieczający, gdy nie pilnujesz kosiarki, lub w trakcie ustawiania, czyszczenia, serwisowania, transportu, podnoszenia lub

przechowywania jej.

UWAGA: Silnika nie można uruchomić dopóki:

- Uchwyt nie jest zablokowany w jednym z położeń działania
- Boczne szyny nie są całkowicie rozłożone (Rys. P).
- Oba zielone zaciski blokowania uchwytu nie są całkowicie zamknięte (Rys. Q).

Q-1 linia wskazania

⚠ OSTRZEŻENIE: Nie próbuj przeszkadzać w działaniu przycisku bezpieczeństwa i przełącznika sterowania.

Uruchomienie

- 1) Zamocuj akumulator w kosiarce, włóż klucz bezpieczeństwa do szczeliny i zamknij pokrywę akumulatora (Rys. O).
- 2) Naciśnij przycisk zabezpieczający zgodnie z Rys. R.
- 3) Przy wciśniętym przycisku zabezpieczającym, pociągnij ciągną przełącznikowe do góry i docisnąć do uchwytu, a następnie puścić przycisk zabezpieczający (Rys. S).

Zatrzymanie

- 1) Zwolnij przełącznik sterowania.
- 2) Elektroniczny hamulec w mechanizmie automatycznego hamowania zatrzyma obroty ostrzy w ciągu 3 sekund od zwolnienia przełącznika.

SYSTEM SAMONAPĘDZAJĄCY O ZMIENNEJ PRĘDKOŚCI (LM2020E-SP)

Kosiarka LM2020E-SP jest wyposażona w funkcję samonapędzania o zmiennej prędkości. System jest niezależny od przełącznika ON/Off ostrza, i nie zależy od obrotów ostrza.

Aby używać system bez obrotów ostrzy, pociągnij za spust samonapędzania na uchwycie.

Aby wyłączyć samonapędzanie, zwolnij spust.

System „ma zmienne prędkości. Aby zwiększyć prędkość, przesun dźwignię samonapędzania kontroli prędkości do przodu. Aby zwiększyć prędkość, przesun dźwignię samonapędzania kontroli prędkości do tyłu (Rys. T).

Działanie z obracającym ostrzem do cięcia:

1. Uruchom kosiarkę.
2. Przytrzymać uchwyt lewą ręką i pociągnąć spust napędu prawą ręką.
3. Jednocześnie przytrzymać zarówno ciągną przełącznikowe jak i spust napędu i docisnąć je prawą ręką do uchwytu. Lewą ręką ustawić dźwignię regulacji prędkości, aby wybrać odpowiednią

prędkość.

⚠ OSTRZEŻENIE: Aby zmniejszyć ryzyko obrażeń, nigdy nie próbuj przeszkadzać w działaniu przełącznika lub systemu samonapędzającego. Używaj samonapędzania tylko do celów, do których zostało przeznaczone.

ROBOCZE KONTROLKI ŚWIETLNE LED W KOSIARCE (Rys. A-13)

Wciśnij przycisk (Rys. C-22), by włączyć/wyłączyć robocze kontrolki świetlne LED z przodu pojemnika na akumulator.

WSKAŹNIK MOCY NA KOSIARCE (Rys. U)

Kosiarka jest wyposażona we wskaźnik mocy, by wskazywać poziom akumulatora oraz stan roboczy kosiarki. Wskaźnik mocy zaświeci się, gdy ostrze się obraca lub gdy robocze kontrolki świetlne LED są włączone.

Wskaźnik mocy na kosiarce	Znaczenie	Działanie
Świeący zielony	Kosiarka działa właściwie; akumulator jest naładowany co najmniej do 15%	Nie dotyczy
Świeący czerwony	Słaba bateria	Zatrzymaj kosiarkę i naładuj akumulator
Migający czerwony	Bateria jest prawie wyczerpana	Zatrzymaj kosiarkę i naładuj akumulator
Świeący pomarańczowy	Kosiarka lub akumulator są przegrzane	Wymnij akumulator z kosiarki, ustaw je w cieniu i odczekaj co najmniej 15 minut, aż ostygną.
Migający pomarańczowy	Kosiarka jest przegrzana	Zwolnij tempo lub zwiększ wysokość cięcia, by zmniejszyć obciążenie.

PL

ZABEZPIECZENIE PRZECIWOBCIĄŻENIOWE KOSIARKI

Aby zapobiec obciążeniu, nie próbuj ciąć zbyt dużo trawy

za jednym razem. Zwolnij tempo koszenia lub zwiększ wysokość cięcia.

Kosiarka jest wyposażona w wewnętrzne zabezpieczenie przeciw obciążeniu systemu. Gdy kosiarka jest przeciążona, silnik wyłączy się a wskaźnik mocy zacznie migać na pomarańczowo. Wyjmij akumulator z kosiarki. Sprawdź, czy pod pokrywą nie nagromadziła się trawa i usuń w razie potrzeby, następnie włóż akumulator i uruchom ponownie kosiarkę.

ZABEZPIECZENIE PRZED ROZGRZANIEM AKUMULATORA

Akumulator rozgrzewa się w trakcie działania. Ciepło rozprzodza się wolniej przy wysokich temperaturach. Jeśli temperatura akumulatora przekroczy 70°C w trakcie działania, układ zabezpieczający wyłączy natychmiast kosiarkę, by chronić akumulator przed uszkodzeniem. Wskaźnik mocy na kosiarce będzie świecić na pomarańczowo. Zwolnij przełącznik sterujący, odczekaj, aż akumulator ochłodzi do około 67°C a następnie uruchom kosiarkę.

PL

KONSERWACJA

⚠ OSTRZEŻENIE: Aby uniknąć poważnych obrażeń, zawsze wyjmij klucz zabezpieczający i akumulator z kosiarki przed czyszczeniem lub czynnościami konserwacyjnymi.

⚠ OSTRZEŻENIE: Podczas prac serwisowych używaj wyłącznie części zamiennych identycznych z oryginalnymi. Stosowanie innych części stwarza zagrożenie i może spowodować uszkodzenie produktu. Aby zapewnić bezpieczeństwo i niezawodność, wszystkie naprawy i wymiany powinny być wykonane przez serwisanta z odpowiednimi kwalifikacjami.

CZYSZCZENIE KOSIARKI

⚠ OSTRZEŻENIE: Zawsze wyjmij klucz zabezpieczający i akumulator do czynności konserwacyjnych i transportu kosiarki.

Spód pokrywy kosiarki powinien być czyszczony po każdym użyciu, gdyż resztki trawy, liście, brud i inne substancje mogą się nagromadzić. Nagromadzenie jest niepożądane, gdyż powoduje tworzenie rdzy i korozji na metalowych częściach i zmniejsza wydajność cięcia kosiarki.

Usuń nagromadzoną trawę i liście z wału napędowego i wokół niego (tylko LM2020E-SP) i z wentylatora silnika (bez użycia wody). Czyść kosiarkę wilgotną ściereczką.

ZDEJMOWANIE/ZAKŁADANIE OSTRZA

⚠ OSTRZEŻENIE: Zawsze chroń ręce nakładając grube rękawice lub owijając krawędzie tnące ściereczkami lub innymi tkaninami przy czynnościach konserwacyjnych na

ostrzach kosiarki. Zawsze wyjmuj akumulator do czynności konserwacyjnych i transportu kosiarki.

■ Zdejmowanie ostrza (Rys. W)

UWAGA: Jeśli śruba obraca się z wałem silnika, gdy jest poluzowana, przekreć ręcznie wentylator, by wyrównać otwory w wentylatorze z otworami w ostrzu i umieść inny trzpień metalowy w wyrównanych otworach.

■ Zakładanie ostrza

Zgodnie z montażem przedstawionym na Rys. V, z łopatkami wentylatora ustawionymi w kierunku pokrywy i nadrukowaną stroną ostrza na zewnątrz, wyrównaj otwory wentylator z otworami ostrza (Rys. X) a następnie przykręć ostrze zgodnie z Rys. X.

Opis części z Rys. V i W poniżej:

V-1	Wentylator	V-5	Śruba
V-2	Kolnierz wewnętrzny	W-1	Stabilizator 1
V-3	Ostrze	W-2	Stabilizator 2
V-4	Kolnierz zewnętrzny	W-3	Klucz 14 mm

UWAGA: Zalecany moment siły podczas dokręcania śrub ostrza wynosi 49-59Nm.

ХРАНЕНИЕ ГАЗОНОКОСИЛКИ

■ Снимите с газонокосилки батарею и уберите устройство на хранение в прохладное, чистое и сухое место. Не храните устройство рядом с веществами, вызывающими коррозию, например с удобрениями или каменной солью.

■ Храните газонокосилку в закрытом, сухом и прохладном помещении вне досягаемости детей.

■ Не накрывайте газонокосилку пластиком. Пластиковые чехлы не дают испаряться влаге, которая может вызвать коррозию.

■ Устройство можно хранить как в горизонтальном, так и в вертикальном положении (Rys. Z).

⚠ ВНИМАНИЕ! Если устройство, стоящее в вертикальном положении, наклоняется, оно может упасть. Это влечет риск травм и поломки косилки. Если вы ставите устройство вертикально, следите за тем, чтобы оно стояло в устойчивом положении и чтобы дети не могли до него добраться. Старайтесь хранить устройство в горизонтальном положении, если это возможно.

Ochrona środowiska



Urządzeń elektrycznych, ładowarki do akumulatorów oraz akumulatorów/baterii akumulatorowych nie należy wyrzucać do zwykłych zmieszanych śmieci domowych!

Zgodnie z dyrektywami Wspólnoty Europejskiej, odpowiednio nr 2012/19/WE i 2006/66/WE, urządzenia elektryczne i elektroniczne nienadające się dłużej do użycia oraz uszkodzone lub zużyte akumulatory/baterie trzeba zbierać oddzielnie.

Wyrzucanie urządzeń elektrycznych na wysypisko grozi wyciekami niebezpiecznych substancji do wód gruntowych i przedostaniem się ich do łańcucha pokarmowego, ze szkodą dla zdrowia i jakości życia użytkownika.

ПОИСК И УСТРАНЕНИЕ НЕИСПРАВНОСТЕЙ

⚠ ВНИМАНИЕ! Перед проведением обслуживания или транспортировкой устройства обязательно извлекайте предохранительный ключ и батарею. Во время обслуживания ножей газонокосилки защищайте руки: надевайте прочные перчатки или оборачивайте режущие кромки ножа ветошью или другим материалом.

ПРОБЛЕМА	ПРИЧИНА	РЕШЕНИЕ
Газонокосилка не запускается	<ul style="list-style-type: none"> ■ Разряжена батарея. ■ Аккумуляторная батарея не установлена в отсек. ■ Перегрев батареи или электрических цепей устройства. (Индикатор питания будет светиться оранжевым светом в течение 10 секунд) ■ Боковые направляющие не раскрыты полностью, не сработали фиксаторы. ■ Рукоятка не установлена в одно из двух рабочих положений. ■ Платформа газонокосилки забита травой и мусором. 	<ul style="list-style-type: none"> ■ Зарядите батарею. ■ Установите батарею в устройство и нажмите до щелчка. ■ Подождите, пока батарея или газонокосилка не остынут до 67°C. ■ Вытяните рукоятку до упора и зафиксируйте с помощью обоих фиксаторов. ■ Установите рукоятку в одно из двух рабочих положений. ■ Очистите платформу устройства и убедитесь, что нож свободно вращается.
Устройство неровно скашивает траву.	<ul style="list-style-type: none"> ■ Затупился нож. ■ Неправильно установлена высота среза. ■ Нож установлен неправильно. 	<ul style="list-style-type: none"> ■ Заточите или замените нож. ■ Поднимите платформу повыше. ■ Установите нож на место, как описано в разделе «УСТАНОВКА НОЖА» настоящего руководства.
Устройство неожиданно прекращает работу	<ul style="list-style-type: none"> ■ Разряжена батарея. ■ Перегрузка устройства. ■ Платформа газонокосилки забита травой и мусором. ■ Перегрев батареи или электрических цепей устройства. (Индикатор питания будет светиться оранжевым светом в течение 10 секунд). ■ Боковая направляющая немного сложилась из-за усилия, приложенного к рукоятке. 	<ul style="list-style-type: none"> ■ Зарядите батарею. ■ Увеличьте высоту среза или снизьте скорость работы. ■ Очистите платформу газонокосилки. Увеличьте высоту среза или скашивайте более узкую полосу травы. ■ Подождите, пока батарея или газонокосилка не остынут до 67°C. ■ Ослабьте фиксаторы. Вытяните боковые направляющие до конца и снова зафиксируйте их.

ПРОБЛЕМА	ПРИЧИНА	РЕШЕНИЕ
Устройство плохо выполняет мульчирование	<ul style="list-style-type: none"> ■ Обрезки мокрой травы налипли на нижнюю сторону платформы. ■ Устройство отрегулировано так, что срезает слишком много травы за один заход. 	<ul style="list-style-type: none"> ■ Дождитесь, пока трава подсохнет, прежде чем скашивать ее. ■ Поднимите платформу повыше.
Устройство сильно вибрирует	<ul style="list-style-type: none"> ■ Разболтался нож. ■ Нож разбалансирован. ■ Режущее приспособление погнуто. ■ Погнулся вал двигателя. 	<ul style="list-style-type: none"> ■ Затяните болт крепления ножа. ■ Отбалансируйте нож в соответствии с инструкциями в руководстве. ■ Замените нож. ■ Свяжитесь с сервисным центром.
Фиксаторы рукоятки не удерживают нужное положение	<ul style="list-style-type: none"> ■ Боковые направляющие вытянуты не до конца. 	<ul style="list-style-type: none"> ■ Вытяните боковые направляющие до упора и затяните фиксаторы.

ГАРАНТИЯ

PL

ГАРАНТИЙНАЯ ПОЛИТИКА EGO

Посетите веб-сайт egopowerplus.com, чтобы ознакомиться со всеми условиями и сроками гарантийной политики EGO.

PŘEČTĚTE SI VŠECHNY POKYNY!



PŘEČTĚTE SI NÁVOD K OBSLUZE

VAROVÁNÍ: Z důvodu bezpečnosti by měl všechny opravy a výměny provádět kvalifikovaný servisní technik.

Účel použití a předpokládané nesprávné použití: Výrobek je určen k sekání trávy pouze v soukromých zahradách. Nesmí se používat k sekání neobvykle vysoké, suché nebo mokré trávy, např. pící trávy; nebo k drčení listů. Výrobek se smí používat pouze k vyhrazenému účelu. Jakékoli jiné použití se považuje za nesprávné.

BEZPEČNOSTNÍ SYMBOLY

Účelem bezpečnostních symbolů je upoutat vaši pozornost k případným nebezpečím. Bezpečnostní symboly a jejich vysvětlení vyžadují vaši zvýšenou pozornost a porozumění. Výstražné symboly samy o sobě nevylučují žádné nebezpečí. Pokyny a varování nejsou náhradou vhodných opatření pro prevenci úrazů.

CZ

VAROVÁNÍ: Před použitím tohoto nástroje si přečtěte a seznamte se se všemi bezpečnostními pokyny v tomto návodu k obsluze včetně veškerých výstražných symbolů, jako např. „NEBEZPEČÍ“, „VAROVÁNÍ“ nebo „UPOZORNĚNÍ“. Nedodržení níže uvedených pokynů může mít za následek úraz elektrickým proudem, požár anebo vážná poranění osob.

VÝZNAM SYMBOLŮ

BEZPEČNOSTNÍ VÝSTRAŽNÉ SYMBOLY: Upozorňují na NEBEZPEČÍ, VAROVÁNÍ, nebo UPOZORNĚNÍ. Lze je používat ve spojení s jinými symboly nebo piktogramy.

VAROVÁNÍ: Při použití elektrického nářadí může dojít k vymrštění cizích těles do očí, což může způsobit jejich závažné poškození. Před použitím elektrického nářadí si vždy nasadte ochranné brýle, ochranné brýle s bočními kryty nebo v případě potřeby obličejový štít. Na brýle nebo standardní ochranné brýle s bočními kryty doporučujeme použít ochrannou masku.

BEZPEČNOSTNÍ POKYNY

Na této stránce jsou zobrazeny a popsány bezpečnostní symboly, které se mohou objevit na výrobku. Před montáží a provozem si přečtěte, seznamte se a dodržujte veškeré pokyny ke stroji.

	Bezpečnostní upozornění	Bezpečnostní opatření týkající se vaší bezpečnosti.
	Přečtěte si návod k obsluze	Z důvodu snížení rizika úrazu si musí uživatel před použitím tohoto výrobku přečíst a seznámit se s návodem k obsluze.
	Pozor na ostré nože.	Nože se otáčí i po vypnutí motoru –před údržbou odstraňte blokovací zařízení. Před nastavením nebo čištěním sekačky vypněte a vyjměte vyjímatelný akumulátor (nebo blokovací zařízení).
	Udržujte ostatní osoby v bezpečné vzdálenosti	Když sekačku používáte, udržujte od ostatních osob a domácích zvířat bezpečnou vzdálenost aspoň 30m.
	Udržujte nohy a ruku pryč	Udržujte nohy a ruku pryč
	CE	Tento výrobek je v souladu s platnými směrnici ES.
	UKCA	Tento výrobek je v souladu s příslušnou britskou legislativou.
	WEEE	Odpadní elektrické výrobky se nesmí likvidovat s domovním odpadem. Odevzdejte do autorizovaného recyklačního střediska WEEE
	Hlučnost	Garantovaná hladina akustického výkonu. Emise hluku do prostředí dle direktivy Evropského společenství.
	Symbol IP	Ochrana proti vniknutí vody stupeň 4
	Voltů	Napětí
	Ampérů	Proud
	Hertzů	Frekvence (počet cyklů za sekundu)
	Wattů	Výkon
	Minut	Doba
	Střídavý proud	Druh proudu
	Stejnoseměrný proud	Druh nebo vlastnosti proudu

n_0	Rychlost při chodu naprázdno	Otáčky při chodu naprázdno
... /min	Za minutu	Otáčky za minutu

OBECNÁ BEZPEČNOSTNÍ VAROVÁNÍ PRO PRÁCI S ELEKTRICKÝM NÁŘADÍM

⚠ VAROVÁNÍ: PŘEČTĚTE SI VŠECHNY BEZPEČNOSTNÍ VÝSTRAHY, POKYNY, ILUSTRACE A TECHNICKÉ ÚDAJE DODANÉ S TÍMTO ELEKTRICKÝM NÁŘADÍM. Nedodržení všech níže uvedených pokynů může vést k úrazu elektrickým proudem, požáru a/nebo vážnému úrazu.

VŠECHNA VAROVÁNÍ A POKYNY SI USCHOVEJTE PRO BUDOUCÍ POUŽITÍ.

Termín „elektrické nářadí“ ve varováních odkazuje na vaše elektrické (s kabelem) nebo akumulátorové (bez kabelu) elektrické nářadí.

BEZPEČNOST NA PRACOVIŠTI

- **Udržujte pracovní prostor v čistotě a dobře osvětlený.** Nepořádek nebo neosvětlené pracovní oblasti mohou vést k úrazům.
- **Nepracujte s elektrickým nářadím ve výbušném prostředí, například v přítomnosti hořlavých kapalin, plynů nebo prachu.** Elektrické nářadí je zdrojem jiskření, které může zapálit prach nebo výpary.
- **Při práci s elektrickým nářadím udržujte děti a přihlízející osoby v bezpečné vzdálenosti.** Při rozptýlení můžete ztratit kontrolu nad zařízením.

ELEKTRICKÁ BEZPEČNOST

- **Zástrčky elektrického nářadí musí odpovídat zásuvkám. V žádném případě nikdy neupravujte zástrčku. Nepoužívejte adaptér zástrčky s uzemněným (ukostřeným) elektrickým nářadím.** Neupravené zástrčky a shodné zásuvky snižují riziko úrazu elektrickým proudem
- **Zabraňte kontaktu těla s uzemněnými povrchy, jako jsou potrubí, radiátory, sporáky a ledničky.** Existuje zvýšené riziko úrazu elektrickým proudem, pokud je vaše tělo uzemněno.
- **Nevystavujte elektrické nářadí dešti nebo vlhkému prostředí.** Vniknutí vody do elektrického nářadí zvyšuje riziko úrazu elektrickým proudem.

- **Nezatěžujte kabel. Nikdy nepoužívejte napájecí kabel k přenášení nářadí, tahání nebo vytahování zástrčky ze zásuvky. Udržujte kabel daleko od tepla, oleje, ostrých hran nebo pohyblivých částí.** Poškozené nebo spletené kabely zvyšují riziko úrazu elektrickým proudem.
- **Při práci s nářadím venku používejte prodlužovací kabel vhodný pro venkovní použití.** Použití kabelu vhodného pro venkovní použití snižuje riziko úrazu elektrickým proudem.
- **Pokud musíte s elektrickým nářadím pracovat ve vlhkém prostředí, použijte napájení s ochranou proti zbytkovému proudu (RCD).** Použití RCD snižuje riziko úrazu elektrickým proudem.

BEZPEČNOST OSOB

- **Zůstaňte stále pozorní, sledujte, co děláte a používejte zdravý rozum při práci s elektrickým nářadím. Nepoužívejte elektrické nářadí, jste-li unaveni nebo pod vlivem drog, alkoholu nebo léků.** Chvilka nepozornosti při práci s nářadím může vést k vážnému zranění.
- **Používejte osobní ochranné pracovní prostředky. Vždy používejte ochranu očí.** Ochranné pomůcky, jako např. respirátor, protiskluzová bezpečnostní obuv, pevná přilba nebo chrániče sluchu používané ve vhodném prostředí snižují riziko úrazu.
- **Zabraňte náhodnému spuštění. Před připojením ke zdroji napětí a/nebo akumulátoru, zvednutím nebo přenášením nářadí se ujistěte, že spínač je ve vypnuté poloze.** Přenášení elektrického nářadí s prstem na spínači, nebo zapojování elektrického nářadí, které má zapnutý spínač, může snadno způsobit nehodu či úraz.
- **Před zapnutím elektrického nářadí odstraňte seřizovací klíče nebo klíče.** Nástroj nebo klíč, který ponecháte připevněn k otáčející se části elektrického nářadí, může způsobit osobní zranění.
- **Nepřeceňujte se. Vždy udržujte pevný postoj a rovnováhu.** To umožňuje lepší ovladatelnost nářadí v neočekávaných situacích.
- **Správně se oblékněte. Nenoste volný oděv ani šperky. Udržujte své vlasy, oblečení a rukavice mimo dosah pohybujících se částí.** Volný oděv, šperky nebo dlouhé vlasy se mohou zachytit do pohybujících se dílů.
- **Pokud je zařízení vybaveno adaptérem pro připojení odsávání prachu a sběrnými zařízeními, zajistěte jejich správné připojení a řádnou funkci.** Použití zařízení k odsávání prachu může snížit rizika spojená s prachem.

GZ

- **Nedovolte, abyste se po získání zkušeností častým používáním nástrojů stali neobezřetnými a ignorovali zásady bezpečnosti.** Nedbalá činnost může způsobit vážné zranění za zlomek sekundy.

POUŽITÍ A PÉČE O ELEKTRICKÉ NÁŘADÍ

- **Netlačte příliš na nářadí. Používejte správný typ nářadí pro vaši aplikaci.** Správné elektrické nářadí bude pracovat lépe a bezpečněji rychlostí, pro kterou bylo navrženo.
- **Nepoužívejte nářadí, pokud ho spínač nezapne a nevypne.** Jakékoliv elektrické nářadí, které nelze ovládat spínačem, je nebezpečné a musí být opraveno.
- **Před jakýmkoliv seřizováním, výměnou příslušenství nebo před uložením nepoužívaného elektrického nářadí odpojte zástrčku od zdroje energie a/nebo akumulátoru.** Tato preventivní bezpečnostní opatření snižují riziko náhodného spuštění nářadí.
- **Uložte elektrické nářadí mimo dosah dětí a nedovolte ostatním osobám, které nejsou seznámeny s elektrickým nářadím nebo s tímto návodem, aby s nářadím pracovali.** Elektronářadí je nebezpečné v rukou nekvalifikované obsluhy.
- **Udržujte elektrické nářadí a příslušenství. Zkontrolujte vychýlení či zaseknutí pohyblivých částí, poškození jednotlivých dílů a jiné okolnosti, které mohou ovlivnit chod nářadí. Je-li nářadí poškozeno, nechejte ho před použitím opravit.** Mnoho nehod je způsobeno nedostatečnou údržbou nářadí.
- **Žací nástroje udržujte ostré a čisté.** Řádně udržované žací nástroje s ostrými žacími břity jsou méně náchylné k zanášení nečistotami a lépe se ovládají.
- **Používejte elektrické nářadí, příslušenství a nástrojové bity atd. v souladu s těmito pokyny s přihlédnutím k pracovním podmínkám a práci, která má být provedena.** Použití elektrického nástroje na činnosti jiné, než je určující použití, může vést k nebezpečným situacím.
- **Udržujte rukojeti a uchopovací plochy suché, čisté, bez oleje a maziva.** Kluzké rukojeti a uchopovací plochy mohou vést k nebezpečné manipulaci a/nebo ztrátě kontroly nad nářadím.

POUŽITÍ A PÉČE O AKUMULÁTOROVÉ NÁŘADÍ

- **Nabíjejte pouze v nabíječce určené výrobcem.** Nabíječka vhodná pro jeden typ akumulátoru může způsobit riziko požáru při použití s jiným akumulátorem.
- **Používejte elektrické nářadí pouze s výslovně určenými akumulátory.** Použití jiných akumulátorů může způsobit riziko úrazu a požáru.
- **Pokud akumulátor nepoužíváte, držte jej z dosahu**

kovových předmětů, jako jsou kancelářské sponky na papír, mince, klíče, hřebíky, šroubky nebo další drobné kovové předměty, které mohou spojit vývody baterie navzájem. Zkratování kontaktů baterie může způsobit spálení nebo požár.

- **V nevhodných podmínkách může kapalina unikat z baterie. Zabraňte kontaktu.** Při náhodném kontaktu opláchněte vodou. Při zasažení očí kapalinou vyhledejte lékařskou pomoc. Unikající kapalina z akumulátoru může způsobit podráždění pokožky nebo popálení.
- **Nepoužívejte akumulátor nebo nástroj, který je poškozen nebo upraven.** Poškozené nebo upravené baterie mohou mít nepředvídatelné chování, které může vést k požáru, výbuchu nebo nebezpečí zranění.
- **Nevystavujte akumulátor ani nástroj ohni nebo nadměrné teplotě.** Při vystavení ohni nebo teplotě nad 130 ° C může dojít k výbuchu.
- **Dodržujte všechny pokyny pro nabíjení a nenabíjejte baterii nebo nástroj mimo rozsah teplot uvedených v pokynech.** Nesprávné nabíjení nebo při teplotách mimo stanovený rozsah může poškodit akumulátor a zvýšit riziko požáru.

SERVIS

- **Svěřte opravu vašeho elektrického nářadí kvalifikované osobě používající pouze shodné náhradní díly.** Tím zajistíte bezpečnost elektrického nářadí.
- **Nikdy neopravujte poškozené akumulátory.** Servis akumulátorů smí provádět pouze výrobce nebo autorizovaní poskytovatelé služeb.

BEZPEČNOSTNÍ ZÁSADY PRO AKUMULÁTOROVOU SEKAČKU NA TRÁVU

⚠ NEBEZPEČÍ: Tento stroj byl zkonstruován k použití podle zásad pro bezpečný provoz, které jsou součástí tohoto návodu. Stejně jako u jiných typů elektrických zařízení, může vést nedbalost a chyba obsluhy k vážnému úrazu. Tento stroj může poranit ruce, nohy a vymrštit různé předměty. Nedodržení všech bezpečnostních pokynů může vést k vážnému zranění nebo smrti.

⚠ VAROVÁNÍ: Při používání akumulátorových sekaček na trávu je nutné vždy dodržovat základní bezpečnostní opatření pro zamezení rizika požáru, úrazu elektrickým proudem a úrazu.

DŮLEŽITÉ

ČTĚTE PEČLIVĚ PŘED POUŽITÍM. USCHOVEJTE PRO BUDOUCÍ POUŽITÍ.

BEZPEČNOSTNÍ ZÁSADY PRO AKUMULÁTOROVOU SEKAČKU NA TRÁVU:

POZOR, NEDOTÝKEJTE SE ROTUJÍCÍHO NOŽE!

ŠKOLENÍ

- Pečlivě si přečtete tyto pokyny. Seznamte se s ovládacími prvky a správným použitím zařízení.
- Osoby nebo děti, které se neseznámily s těmito pokyny, nesmí zařízení používat. Místní předpisy mohou omezovat věk obsluhy.
- Nikdy nesekejte trávu, pokud jsou v blízkosti osoby, zejména děti, nebo domácí zvířata.
- Obsluha nebo uživatel je zodpovědný za nehody nebo ohrožení jiných osob nebo jejich majetku.

PŘÍPRAVA

- Při sekání trávy vždy noste pevnou obuv a dlouhé kalhoty.
- Nepoužívejte zařízení, když jste bosí, nebo máte na nohou otevřené sandály. Nenoste volný oděv, nebo takový, ze kterého visí šňůrky nebo pásky.
- Pečlivě zkontrolujte prostor, kde budete zařízení používat, a odstraňte všechny kameny, klacky, dráty, kosti a další cizí tělesa.
- Před použitím vždy vizuálně zkontrolujte nože, šrouby nožů a žací mechanismus, zda nejsou opotřebené nebo poškozené. Opotřebené nebo poškozené nože a šrouby vyměňte v sadách z důvodu zachování vyvážení. Vyměňte poškozené nebo nečitelné štítky.

POUŽITÍ

- Trávu sekejte pouze za denního světla nebo při dobrém umělém osvětlení.
- Pokud lze, vyhněte se použití zařízení v mokré trávě.
- Ve svahu vždy dbejte na pevný postoj.
- Chodte, nikdy neběhejte.
- S kolovými rotačními sekačkami sekejte trávu ve svazích podélně, nikdy nahoru a dolů.
- Dbejte zvýšené opatrnosti při změně směru svahu.
- Nesekejte na příliš prudkých svazích.
- Dbejte zvýšené opatrnosti při jízdě vzad, nebo tažení zařízení směrem k vám.
- Zastavte nože, pokud se musí zařízení naklonit z důvodu přepravy při přejezdění jiných než travnatých povrchů a při přepravě zařízení na a z prostoru, kde se má sekat tráva.
- Nikdy nepoužívejte zařízení s vadnými ochrannými kryty, štíty nebo bez bezpečnostních zařízení, např. instalované vychylovače anebo lapače trávy.

- Zapněte motor podle pokynů, nohy udržujte v bezpečné vzdálenosti od nožů.
- Při zapínání motoru zařízení nenaklánějte s výjimkou případů, kdy se musí zařízení naklonit z důvodu spuštění. V takovém případě jej nenaklánějte více, než je nezbytně nutné, a zdvihněte pouze jednu část, která je vzdálenější od obsluhy. Před vrácením zařízení na zem dbejte, aby byly obě ruce v provozní poloze. Zařízení nespouštějte, když stojíte před výstupním otvorem.
- Nestrkejte ruce ani nohy do blízkosti nebo pod rotující části. U rotačních sekaček se vždy vyhybte výstupním otvorem.
- Nikdy zařízení nezdvíhejte ani nepřenášejte, pokud je motor v chodu.
- Před nastavením nebo čištěním sekačku vypněte, zkontrolujte, že se všechny pohyblivé části zcela zastavily a vyjměte vyjímatelný akumulátor (nebo blokovací zařízení):
 - Kdykoliv odcházíte od stroje;
 - Před odstraněním překážky a čištěním vývodu;
 - Před kontrolou, čištěním nebo prací na zařízení;
 - Po nárazu do cizího tělesa. Zkontrolujte, zda nedošlo k poškození zařízení, a v případě potřeby proveďte opravu.
- Pokud začne zařízení neobvykle vibrovat (ihned zkontrolujte):
 - Zkontrolujte, zda není poškozené;
 - Vyměňte nebo opravte všechny poškozené díly;
 - Zkontrolujte, zda jsou všechny díly utažené.

ÚDRŽBA A SKLADOVÁNÍ

- Při nastavení stroje buďte opatrní, aby se vám nezachytily prsty mezi žací nože a pevné díly zařízení.
- Řádně utahujte všechny šrouby a matice pro zajištění bezpečného provozního stavu zařízení.
- Často kontrolujte opotřebení nebo poškození lapače trávy.
- Z důvodu bezpečnosti opotřebené nebo poškozené díly vyměňte.
- Čištění a údržbu nesmějí provádět děti, pokud nejsou pod dohledem dospělé osoby.
- Při servisu nožů nezapomínejte, že i když je napájení vypnuté, mohou se nože stále otáčet.
- U rotačních sekaček dbejte při výměně na použití správného typu řezacího nástroje.

BEZPEČNOST OSOB

Pokud obsluha nedbá přítomnosti dětí, může dojít k tragickým nehodám. Děti se často zajímají o sekačku a sekání trávy. Nechápu hrozící nebezpečí. Nikdy nepředpokládejte, že děti zůstanou na místě, kde jste je naposled spatřili.

- Udržujte děti mimo prostor, kde sekáte trávu, a pod pečlivým dohledem další odpovědné dospělé osoby.
- Dávejte pozor, a vypněte sekačku, pokud dítě vstoupí do daného prostoru.
- Dbejte zvýšené pozornosti, když se blížíte k nepřehledným rohům, dveřím, keřům, stromům nebo jiným objektům, které vám mohou zakrýt výhled na dítě, které může vběhnout pod sekačku.
- Děti musí být pod dozorem, aby si se sekačkou nehrály.
- Při vyjímání akumulátoru ze sekačky ji vždy vypněte. Zastavte nože, pokud se musí zařízení naklonit z důvodu přepravy při přejezdění jiných než travnatých povrchů a při přepravě zařízení na a z prostoru, kde se má sekat tráva.

POUŽITÍ OBECNÉ POUŽITÍ:

- Pečlivě si přečtete celý tento návod k obsluze, než začnete s montáží stroje. Před použitím si přečtete, seznámte se a dodržujte všechny pokyny na stroji a v návodu. Před použitím stroje se seznámte se všemi ovládacími prvky a správným použitím. Uchovávejte tento návod na bezpečném místě pro budoucí a pravidelné použití a pro objednávkou náhradních dílů.
- Používejte správné zařízení – nepoužívejte sekačku na trávu k jiné práci, než ke které je určena.
- Nepřeceňujte své síly – vždy udržujte pevný postoj a rovnováhu.
- Předměty zasažené nožem sekačky na trávu mohou způsobit vážný úraz. Před každým sekáním trávy trávník vždy pečlivě prohlédněte a odstraňte z něj všechny předměty.
- Před a při pohybu vzad se podívejte za sebe a dolů, zda kolem sebe nemáte malé děti nebo jiné osoby.
- Tento stroj není hračkou. Proto dbejte vždy zvýšené opatrnosti. Vaše sekačka byla navržena tak, aby vykonávala jednu práci: sekala trávu. Nepoužívejte ji k jiným účelům.
- Sekačku na trávu nepřetěžujte – svou práci bude lépe a bezpečněji vykonávat v rámci parametrů, pro něž byla určena.
- Před použitím vždy vizuálně zkontrolujte nože, šrouby nožů a žací mechanismus, zda nejsou opotřebené nebo poškozené. Opotřebené nebo poškozené nože, šrouby a další součásti vyměňujte současně z důvodu zachování vyvážení. Vyměňte poškozené nebo nečitelné štítky.
- Dbejte zvýšené opatrnosti při jízdě vzad, nebo tažení zařízení směrem k vám.
- Důkladně zkontrolujte prostor, kde budete zařízení používat. Odstraňte kameny, klacky, dráty, hračky a

další cizí tělesa, o která můžete zakopnout, nebo je může nabrat a vymrštít nůž. Vymrštěné předměty mohou způsobit vážný úraz. Trasu sekání trávy si naplánujte tak, aby odpadní materiál nesměřoval na cesty, chodníky, ostatní osoby apod. Dbejte také, aby odpadní materiál nesměřoval proti zdem nebo jiným překážkám, od kterých by se mohli odrazit zpět směrem k obsluze.

- Aby nedošlo ke kontaktu s nožem nebo zranění vymrštěnými předměty, zůstaňte v zóně obsluhy za rukojetí a udržujte při práci děti, ostatní osoby, pomocníky a domácí zvířata v bezpečné vzdálenosti aspoň 30 m od sekačky. Pokud někdo vstoupí to prostoru, stroj zastavte.
- Při práci a nastavení nebo opravě vždy noste ochranné brýle, kterými si chráníte oči. Odražené vymrštěné předměty mohou způsobit vážné poranění očí. Vždy noste ochrannou masku nebo protiprachový respirátor, pokud je práce prašná.
- Vhodně se oblékněte – nenoste volný oděv ani šperky. Mohou se zachytit v pohyblivých částech. Při práci venku doporučujeme použití gumové rukavice a boty. Noste pevnou pracovní obuv s drsnou podrážkou a přiléhavé kalhoty a košile. Doporučujeme košile a kalhoty, které zakrývají paže a nohy a boty s ocelovou špičkou. Nikdy stroj nepoužívejte, když jste bosí, v sandálech, kluzkých nebo lehkých (např. plátěných) botách.
- Nestrkejte ruce ani nohy do blízkosti nebo pod šasi sekačky. Kontakt s nožem může zranit ruce a nohy.
- Chybějící nebo poškozený výstupní kryt může vést ke kontaktu s nožem nebo úrazu vymrštěným předmětem.
- K řadě úrazů dochází v důsledku přetažení sekačky přes nohu při pádu způsobeném uklouznutím nebo klopýtnutím. Pokud padáte, nedržte se sekačky; okamžitě pusťte rukojeť.
- Za chůze nikdy netahejte sekačku zpět směrem k sobě. Pokud musíte se sekačkou couvat před zdí nebo překážkou, nejprve se podívejte dolů a za sebe, abyste neklopýtli, a pak postupujte podle následujících kroků:
 - Ustupte od sekačky na délku paže.
 - Zkontrolujte, zda držíte rovnováhu a máte pevný postoj.
 - Pomalu táhněte sekačku zpět ne více než na polovinu vzdálenosti mezi vámi a sekačkou.
 - Tyto kroky opakujte podle potřeby.
- Se sekačkou nepracujte pod vlivem alkoholu nebo jiných návykových látek.
- Buďte pozorní – sledujte, co děláte. Buďte soudní. Nepoužívejte sekačku na trávu, pokud jste unaveni.

- Rukojeť ovládání motoru/nože je bezpečnostním zařízením. Nikdy se nepokoušejte obejít jeho funkci. Pokud tak učiníte, bezpečnostní zařízení nefunguje a výsledkem může být úraz v důsledku kontaktu s rotujícím nožem. Rukojeť ovládání motoru/nože se musí snadno ovládat v obou směrech a po uvolnění se musí automaticky vracet do výchozí polohy.
- Vyhnete se nebezpečnému prostředí – nepoužívejte sekačky na trávu ve vlhkém nebo mokřém prostředí.
- Nepoužívejte ji v dešti.
- Vždy dbejte na pevný postoj. Uklouznutí a pád může způsobit vážný úraz. Pokud máte pocit, že ztrácíte půdu pod nohama, uvolněte okamžitě rukojeť ovládání motoru/nože, nůž se zastaví během tří sekund.
- Nůž zastavte, když přejíždíte štěrkové příjezdové cesty, chodníky nebo cesty.
- Pokud začne zařízení abnormálně vibrovat, zastavte motor a okamžitě vyhledejte příčinu. Vibrace obvykle upozorňují na problém.
 - Zkontrolujte, zda není poškozené;
 - Vyměňte nebo opravte všechny uživatelsky vyměnitelné poškozené díly;
 - Zkontrolujte, zda jsou všechny díly utažené.
 - Nikdy nepoužívejte sekačku bez instalovaného a funkčního zadního štítu, krytu výstupu, vaku na trávu, mulčovací vložky, bočního vývodu, rukojeti ovládání motoru/nože nebo bezpečnostních a ochranných zařízení. Nikdy nepoužívejte sekačku s poškozenými bezpečnostními zařízeními. Nedodržení uvedených pokynů může vést ke zranění.
- Pokud nastane situace, která není popsána v tomto návodu, použijte pečlivě a zdravý úsudek. Obráťte se na zákaznické servisní středisko EGO se žádostí o pomoc.
- Před likvidací vyjměte ze zařízení akumulátor.
- Akumulátor likvidujte bezpečným způsobem.

POUŽITÍ NA SVAHU:

Svahy jsou hlavním faktorem souvisejícím s nehodami při uklouznutí a pádu, což může vést k vážnému úrazu. Ve svahu vždy dbejte na pevný postoj. Použití na svazích vyžaduje zvýšenou opatrnost. Pokud se na svahu cítíte nejistí, nesekejte jej.

Co dělat:

- Sekat trávu ve svahu podélně; nikdy nesekejte nahoru a dolů. Dbejte zvýšené opatrnosti při změně směru svahu.
- Dávejte pozor na díry, vyjeté koleje, kameny, skryté předměty nebo hrboly, na kterých můžete uklouznout nebo klopýtnout. Ve vysoké trávě se mohou skrývat překážky.

Co nedělat:

- Nesekejte trávu v blízkosti srázů, příkopů nebo náspů; můžete ztratit pevnou půdu pod nohama nebo rovnováhu.
- Nesekejte svahy se sklonem přesahujícím 15 stupňů.
- Nesekejte mokrou trávu. Nestabilní postoj může způsobit uklouznutí.

SERVIS

VAROVÁNÍ: Součástí vaku na trávu, výstupní kryt, boční vývod, mulčovací vložka a zadní štít se mohou opotřebovat a poškodit, což může odhalit pohyblivé části, nebo umožnit vymřštění předmětů a zvýšit riziko úrazu. Pro zachování bezpečnosti často kontrolujte všechny součásti a poškozené součásti okamžitě vyměňte za originální náhradní díly uvedené v tomto návodu. Kontaktujte zákaznický servis společnosti EGO, nebo vaše nejbližší servisní středisko společnosti EGO, opravy a výměny musí provést kvalifikovaný servisní technik!

- Pokud se spínač vestavěné ochrany proti přetížení spouští často, kontaktujte zákaznický servis společnosti EGO, nebo vaše nejbližší zákaznické středisko společnosti EGO.
- Sekačku nemyjte hadicí; dbejte, aby se do motoru a elektrických přípojek nedostala voda.
- Vytáhněte klíč a uskladněte nepoužívanou sekačku na trávu v interiéru. Před uskladněním v uzavřeném prostoru nechejte motor vychladnout. Sekačka na trávu by se měla skladovat na suchém, vysoko položeném nebo uzamykatelném místě mimo dosah dětí.
- Při opravách používejte pouze originální náhradní díly uvedené v tomto návodu. Použití dílů, které nespĺňují specifikace originálního vybavení, může vést k nekvalitnímu výkonu a narušení bezpečnosti.
- Před servisem, čištěním nebo odstraňováním materiálů ze sekačky na trávu vyjměte nebo odpojte akumulátor.
- Dodržujte pokyny pro výměnu příslušenství.
- Udržujte rukojeti suché, čisté, bez oleje a maziva.
- Aby se snížilo riziko vzniku požáru, udržujte kryt motoru čistý, bez trávy listů a usazených nečistot.
- V pravidelných intervalech kontrolujte správné utažení upevňovacích šroubů nože a motoru. Rovněž vizuálně zkontrolujte, zda není poškozen nůž (např. ohnutý, prasklý nebo opotřebovaný). Nůž vyměňte pouze za originální náhradní nůž uvedený v tomto návodu.
- Provádějte pečlivou údržbu sekačky – udržujte nůž sekačky ostrý a čistý pro dosažení nejlepších a nejbezpečnějších výkonů. Nože sekačky jsou ostré, můžete se pořezat. Při jejich servisu nůž obalte nebo používejte rukavice a dbejte zvýšené opatrnosti.
- Nikdy neupravujte ani nezasahujte do bezpečnostních zařízení. Pravidelně kontrolujte jejich správnou funkci.

GZ



Nikdy nedělejte nic, co by bylo v rozporu s funkcí bezpečnostního zařízení, nebo omezou ochranu zajištěnou bezpečnostním zařízením.

- Před úpravami kol nebo výšky sekání vždy vypněte motor.
- Po nárazu do cizího tělesa zastavte motor, vytáhněte klíč a pečlivě zkontrolujte, zda nedošlo k poškození sekačky. Před spuštěním sekačky poškození opravte.
- Udržujte nebo vyměňujte bezpečnostní štítky a štítky s pokyny podle potřeby. Kontaktujte zákaznický servis společnosti EGO, nebo vaše nejbližší servisní středisko společnosti EGO, opravy a výměny musí provést kvalifikovaný servisní technik!
- **ULOŽTE SI TYTO POKYNY.** Používejte je často a také k poučení dalších osob, které mohou toto nářadí používat. Pokud nářadí někomu půjčíte, půjčte mu také tento návod k obsluze, aby nedošlo k nesprávnému použití výrobků nebo případně k úrazu.

POUŽITÍ A PÉČE O AKUMULÁTOR

- Chcete-li zachovat přírodní zdroje, akumulátory recyklujte nebo správně likvidujte. Tento výrobek obsahuje lithium-iontové akumulátory. Místní nebo národní právní předpisy zakazují likvidaci lithium-iontových akumulátorů spolu s běžným odpadem. Informace o možných způsobech recyklace anebo likvidace vám podá místní úřad pro likvidaci odpadů.
- Po vyjmutí akumulátoru za účelem likvidace nebo recyklace zalepte póly akumulátoru odolnou lepicí páskou. Nepokoušejte se akumulátor zničit nebo rozebrat ani odstranit žádnou z jeho částí. Lithium-iontové akumulátory se musí řádně recyklovat nebo likvidovat. Nikdy se také nedotýkejte pólů kovovými předměty anebo částmi těla, může dojít ke zkratu. Uchovávejte mimo dosah dětí. Nedodržení těchto varování může vést ke vzniku požáru anebo k vážnému úrazu.
- **V NEVHODNÝCH PODMÍNKÁCH MŮŽE UNIKAT KAPALINA Z AKUMULÁTORU. ZABRAŇTE KONTAKTU. PŘI NÁHODNÉM KONTAKTU OPLÁCHNĚTE ZASAŽENÉ MÍSTO VODOU. PŘI ZASAŽENÍ OČÍ KAPALINOU, VYHLEDEJTE LÉKAŘSKOU POMOC.** Kapalina unikající z akumulátoru může způsobit podráždění pokožky nebo popáleniny.

SPECIFIKACE

Číslo modelu	LM2020E	LM2020E-SP
Systém pojezdu	Ne	Ano
Napětí	56 V 	56 V 

Rychlost při chodu naprázdno	3000 /min	3000 /min	
Výška sekání	25-95 mm	25-95 mm	
DoporM-5	0°C-40°C	0°C-40°C	
Doporučená teplota skladování:	-20°C-70°C	-20°C-70°C	
Polohy výšky sekání	6	6	
Velikost šasi	51 cm	51 cm	
Šířka sekání	50 cm	50 cm	
Objem vaku na trávu	60 L	60 L	
Hmotnost sekačky (bez akumulátoru, mulčovací vložka)	24,4 kg	27,2 kg	
Model nože	AB2001	AB2001	
Měřená úroveň akustického výkonu L_{WA}	91,5 dB(A) K=1,80 dB(A)	91,0 dB(A) K=1,89 dB(A)	
Hladina akustického tlaku na sluch obsluhy L_{PA}	79,5 dB(A) K=3 dB(A)	79,2 dB(A)	
Zaručená úroveň akustického výkonu L_{WA} (podle směrnice 2000/14/ES)	93 dB(A)	93 dB(A)	
Vibrace a_{rh} K=1,5 m/s ²	Levá rukojeť	≤2,5 m/s ²	≤2,5 m/s ²
	Pravá rukojeť	≤2,5 m/s ²	≤2,5 m/s ²
Brzda nože	Ano	Ano	

- Celková deklarovaná hodnota vibrací byla naměřena podle standardní zkušební metody a lze ji použít ke srovnání s jiným nářadím;
- Celkovou deklarovanou hodnotu vibrací lze použít také k předběžnému stanovení expozičních limitů.

POZNÁMKA: Emise vibrací při konkrétním použití elektrického nářadí se mohou lišit od deklarované hodnoty, při které se nářadí používá; z důvodu ochrany provozovatele by měl uživatel ve skutečných pracovních podmínkách nosit rukavice a chrániče sluchu.

OBSAH BALENÍ

NÁZEV DÍLU	MNOŽSTVÍ
Sekačka na trávu	1
Vak na trávu	1
Rám vaku na trávu	1
Mulčovací vložka	1
Boční vývod	1
Bezpečnostní klíč	1
Návod k obsluze	1

POPIS

SEZNAMTE SE SE SVOU SEKAČKOU (obr. A, B, C, D a E)

- 1 Pákový spínač (spínací páka)
- 2 Rukojeť
- 3 Bezpečnostní tlačítko
- 4 Spoušť pojezdu
- 5 Pojistná svorka rukojeti
- 6 Vak na trávu
- 7 Páka na nastavení výšky sekání
- 8 Zadní kolo
- 9 Boční výstupní dvířka
- 10 Šasi sekačky
- 11 LED světlomety
- 12 Kryt stroje
- 13 Přední kolo
- 14 Kryt akumulátoru
- 15 Zadní rukojeť
- 16 Páka rychlého nastavení
- 17 Zadní výstupní dvířka
- 18 Boční lišta
- 19 Regulační páka rychlost pojezdu
- 20 Zadní štít
- 21 Spínač pro LED světlomety
- 22 Kontrolka nabití
- 23 Tlačítko pro uvolnění baterie
- 24 Otvor pro bezpečnostní klíč
- 25 Mulčovací vložka
- 26 Boční výstupní žlab

POUŽITÍ

MONTÁŽ VAKU NA TRÁVU

- 1) Nasuňte vak na trávu na rám (obr. F).
- 2) Namontujte horní svorky na rám (obr. G), a pak namontujte dvě boční svorky. Spodní svorku namontujte jako poslední.
- 3) Kompletně smontovaný vak na trávu je znázorněn na obr. H.

NASTAVENÍ SKLOPNÉ RUKOJETI

VAROVÁNÍ: Nepokoušejte se spouštět sekačku, dokud není rukojeť zajištěna v jedné ze tří předem nastavených provozních poloh (HORNÍ PROVOZNÍ POLOHA, STŘEDNÍ PROVOZNÍ POLOHA nebo DOLNÍ PROVOZNÍ POLOHA).

Vaše sekačka se dodává s rukojetí v kompaktní, ZAJIŠTĚNÉ SKLADOVACÍ POLOZE (obr. I).

- 1) Stiskněte a držte páku pro rychlé nastavení a uvolněte rukojeť ze ZAJIŠTĚNÉ SKLADOVACÍ POLOHY.
- 2) Zdvihněte rukojeť ze sklopené polohy, a pak uvolněte páku. Zlehka otočte rukojeť vzhůru, dokud neuslyšíte a neucítíte, že pojistka zapadla do jedné ze dvou

poloh, jak je znázorněno na obr. J.

Obr. J, následuje popis dílů:

J-1	Zajištěná skladovací poloha
J-2	Nástavec pro pytel na trávu / Odstraňovací pozice
J-3	Horní provozní poloha
J-4	Střední provozní poloha
J-5	Dolní provozní poloha

NASAZENÍ/SEJMUTÍ VAKU NA TRÁVU/MULČOVACÍ VLOŽKY

VAROVÁNÍ: Nikdy se nepokoušejte provádět úpravy sekačky na trávu aniž byste nejprve zastavili motor, vytáhli bezpečnostní klíč a počkali, než nůž přestane rotovat.

■ Nasazení/sejmutí vaku na trávu (obr. K)

Nastavte rukojeť do vhodné provozní polohy. Zdvihněte zadní výstupní dvířka a zahákněte vak na trávu za otočnou tyč. Chcete-li vak na trávu sejmut, zdvihněte jej a vyhákněte z otočné tyče. Nakonec uvolněte zadní výstupní dvířka.

POZNÁMKA: Před nasazením vaku na trávu na sekačku vyjměte předinstalovanou mulčovací vložku.

■ Nasazení/sejmutí mulčovací vložky (obr. L)

Zdvihněte zadní výstupní dvířka a vložte mulčovací vložku do sekačky. Chcete-li ji sejmut, jednoduše ji vytáhněte. Nakonec uvolněte zadní výstupní dvířka.

■ Nasazení/sejmutí bočního vývodu (obr. M)

Zdvihněte boční výstupní dvířka. Srovnajte drážku bočního vývodu s kolíkem výstupních dvířek a zlehka boční výstupní dvířka uvolněte, aby se otočila okolo otočné tyče, dokud se pevně nezaprů o boční vývod. Chcete-li boční vývod sejmut, zdvihněte dvířka bočního vývodu, zdvihněte boční vývod a sejměte jej z montážního kolíku dvířek.

Obr. M, následuje popis dílů:

M-1	Boční výstupní dvířka
M-2	Montážní kolík
M-3	Montážní drážka
M-4	Boční vývod
M-5	Otočný čep

POZNÁMKA: Mulčovací vložka musí být nainstalována, i když je připojen boční výstupní žlab.

NASTAVENÍ VÝŠKY SEKÁNÍ (obr. N)

VAROVÁNÍ: Při nastavování výšky udržujte nohy vždy v bezpečné vzdálenosti od šasi. Sekačku lze nastavit do 6 výšek sekání v rozmezí od 25 do 95mm. Vyberte správnou výšku sekání podle typu a stavu trávy.

GZ

POZNÁMKA: Při přesunu nářadí dbejte, aby byla výška nastavená v poloze 3 a vyšší. Pokud tak neučiníte, může dojít k poškození nože.

INSTALACE/VYJMUTÍ AKUMULÁTORU (obr. O)

Používejte pouze akumulátory a nabíječky uvedené na obr. A.

PŘED PRVNÍM POUŽITÍM AKUMULÁTOR NABIJTE.

VAROVÁNÍ: Pokud jsou některé části poškozené nebo chybí, nepokoušejte se instalovat akumulátor na sekačku, nebo ji používat, dokud nevyměníte poškozené nebo chybějící díly. Pokud tak neučiníte, může dojít k vážnému úrazu.

■ Instalace

Zatlačte akumulátor do prostoru pro akumulátor, dokud neuslyšíte „kliknutí“.

■ Vyjmutí

Stiskněte tlačítko pro uvolnění akumulátoru v prostoru pro akumulátor.

Obr. O, následuje popis dílů:

O-1	Otvor pro bezpečnostní klíč
O-2	Bezpečnostní klíč
O-3	Tlačítko pro uvolnění akumulátoru

POZNÁMKA: Dbejte, aby západka na sekačce zapadla na místo a akumulátor byl upevněn k sekačce před spuštěním.

SPUŠTĚNÍ/VYPNUTÍ SEKAČKY

VAROVÁNÍ: Při použití sekačky na trávu může dojít k vymrštění cizích těles do očí, což může způsobit jejich závažné poškození. Při práci se sekačkou nebo při úpravách a opravách noste vždy ochranné brýle.

VAROVÁNÍ: Když sekačku používáte, udržujte od ostatních osob a domácích zvířat bezpečnou vzdálenost aspoň 30m.

VAROVÁNÍ: Nůž se bude otáčet ještě několik sekund po vypnutí sekačky. Před dalším spuštěním nechejte motor/nůž, aby se zastavily. Sekačku se nesnažte rychle vypnout a zapnout.

BEZPEČNOSTNÍ KLÍČ

Aby nedošlo k neúmyslnému spuštění nebo neoprávněnému použití vaší akumulátorové sekačky, je součástí konstrukce vaší sekačky bezpečnostní klíč. Jakmile se bezpečnostní klíč vytáhne ze sekačky, je sekačka kompletně vypnutá.

NEBEZPEČÍ: Rotující nože mohou způsobit vážný úraz. Pokud je sekačka bez dozoru, nebo provádíte úpravy, čištění, servis, sekačku přepravujete, zdviháte nebo uskládňujete, vyjměte bezpečnostní klíč, aby nedošlo k vážnému úrazu.

POZNÁMKA: Motor nelze nastartovat, dokud není/nejsou:

- Rukojeť zajištěná v jedné z provozních poloh.
- Boční lišty jsou maximálně vysunuté (obr. P).
- Obě zelené pojistné svorky rukojeti bezpečně uzavřené (obr. Q).

Q-1 indikace linka

UPOZORNĚNÍ: Nepokoušejte se potlačit funkci bezpečnostního tlačítka a pákového spínače.

Spuštění

- 1) Instalujte akumulátor do sekačky, vložte bezpečnostní klíč do otvoru a zavřete kryt akumulátoru (obr. O).
- 2) Podle obr. R stiskněte bezpečnostní tlačítko.
- 3) Se stlačeným bezpečnostním tlačítkem zdvihněte pákový spínač směrem k rukojeti a uvolněte bezpečnostní tlačítko.

Vypnutí

- 1) Uvolněte pákový spínač.
- 2) Elektrická brzda v automatickém brzdovém mechanismu zastaví rotaci nože během 3 sekund od uvolnění pákového spínače.

SYSTÉM POJEZDU S VARIABILNÍ RYCHLOSTÍ (LM2020E-SP)

Sekačka LM2020E-SP je vybavena funkcí pojezdu s variabilní rychlostí. Systém je nezávislý na spínači nože; nezávisí na rotaci nože.

Chcete-li spustit systém bez rotace nože, přitáhněte spoušť pojezdu k rukojeti.

Pokud chcete pojezd zastavit, uvolněte spoušť pojezdu.

Systém má variabilní rychlost. Pro zvýšení rychlosti posuňte regulační páku rychlosti pojezdu vpřed. Pro snížení rychlosti posuňte regulační páku rychlosti pojezdu vzad (obr. T).

Chcete-li sekat s rotujícím nožem:

1. Spuště sekačku.
2. Zatímco držíte pákový spínač proti rukojeti s levou rukou, vytáhněte spouštěč vlastního pohonu na rukojeti s vaší pravou rukou.

3. Uchopte pákový spínač a spouštěč vlastního pohonu současně proti rukojeti s pravou rukou a levou ruku použijte k nastavení páčky rychlosti vlastního pohonu a zvolte správnou rychlost.

VAROVÁNÍ: Pro snížení rizika úrazu se nikdy nepokoušejte potlačit funkci spínače nebo systému pojezdu. Pojezd používejte pouze k učenému účelu.

PRACOVNÍ LED SVĚTLA NA SEKAČCE (obr. A-13)

Stiskněte tlačítko spínače (obr. C-22) a zapněte/vypněte pracovní LED světla před prostorem pro akumulátor.

KONTROLKA NABITÍ SEKAČKY (obr. U)

Sekačka je vybavena kontrolkou nabití, která ukazuje stav nabití akumulátoru a provozní stav sekačky. Kontrolka nabití se rozsvítí, jakmile začne rotovat nůž, nebo když se zapnou pracovní LED světla.

Kontrolka nabití sekačky	Význam	Činnost
Svítil zeleně	Sekačka pracuje správně; akumulátor má kapacitu aspoň 15% nabití	Nevztahuje se
Svítil červeně	Nízká úroveň nabití akumulátoru	Zastavte sekačku a nabijte akumulátor
Bliká červeně	Akumulátor je téměř vybitý	Zastavte sekačku a nabijte akumulátor
Svítil oranžově	Přehřátí sekačky nebo akumulátoru	Vyjměte akumulátor ze sekačky, přemístěte je do stínu a nechejte je zchladnout po dobu aspoň 15 min
Bliká oranžově	Akumulátor je přetížený	Zpomalte tempo, nebo zvýšte výšku sekání pro snížení zátěže

OCHRANA SEKAČKY PROTI PŘETÍŽENÍ

Aby nedošlo k přetížení, nepokoušejte se odstranit příliš velké množství trávy najednou. Zpomalte tempo sekání, nebo zvýšte výšku sekání.

Vaše sekačka je vybavena vestavěnou ochranou proti přetížení. Pokud dojde k přetížení sekačky, motor se zastaví a kontrolka nabití sekačky začne blikat oranžově. Vyjměte akumulátor ze sekačky. Zkontrolujte, zda se šasi nezažehlo trávou, v případě potřeby jej vyčistěte, a pak instalujte akumulátor a restartujte sekačku.

TEPELNÁ OCHRANA AKUMULÁTORU

Akumulátor při provozu generuje teplo. V horkém počasí se teplo rozptýluje daleko pomaleji. Pokud teplota akumulátoru přesáhne při provozu 70 °C, ochranný obvod sekačku okamžitě zastaví, aby chránil akumulátor před poškozením. Kontrolka nabití sekačky bude svítit oranžově. Uvolněte pákový spínač, počkejte, dokud akumulátor nezchladne na přibližně 67 °C, a pak znovu spusťte sekačku.

ÚDRŽBA

VAROVÁNÍ: Aby nedošlo k vážnému úrazu, vždy před čištěním nebo jinou údržbou vyjměte ze sekačky bezpečnostní klíč a akumulátor.

VAROVÁNÍ: Při opravách používejte pouze originální náhradní díly. Použití jiných dílů může být rizikem nebo způsobit poškození výrobku. Z důvodu bezpečnosti by měl všechny opravy a výměny provádět kvalifikovaný servisní technik.

ČIŠTĚNÍ SEKAČKY

VAROVÁNÍ: Při servisu nebo přepravě sekačky vždy vyjměte bezpečnostní klíč a akumulátor.

Spodní část šasi sekačky čistěte po každém použití, jelikož dochází k hromadění posekané trávy, listí, hlíny a dalších nečistot. Tato kumulace je nežádoucí, protože podporuje korozi kovových dílů a snižuje účinnost sekání sekačky.

Odstraňte nános trávy a listí z hnacího hřídele (pouze LM2020E-SP), kolem něj a rotoru motoru (nepoužívejte vodu). Sekačku setřete čistým a vlhkým hadrem.

SEJMUTÍ/INSTALACE NOŽE

VAROVÁNÍ: Vždy chraňte ruce s pomocí pevných rukavic nebo zabalením břitů nože hadrem nebo jiným materiálem při údržbě nože sekačky.

■ Sejmутí nože (obr. W).

POZNÁMKA: Pokud se při povolání šroub otáčí s hřídelem motoru, otočte rotorem ručně tak, aby se srovnaly otvory v rotoru a v noži a do vyrovnaných otvorů vložte další kovovou tyč

■ Instalace nože

Podle montážního postupu na obr.V s rotorem nože směřujícím směrem k šasi a potříšenou stranou nože směřující směrem ven srovnajte otvory v rotoru s otvory v noži (obr. X) a přišroubujte nůž, jak je znázorněno na obr. X.

GZ

Obr. V a W, následuje popis dílů:

V-1	Rotor	V-5	Šroub
V-2	Vnitřní příruba	W-1	Stabilizátor 1
V-3	Nůž	W-2	Stabilizátor 2
V-4	Vnější příruba	W-3	Klíč 14 mm

POZNÁMKA: Doporučený krouticí moment pro utažení šroubu nože je 49–59Nm.

SKLADOVÁNÍ SEKAČKY

- Vyjměte akumulátor ze sekačky a uskladněte jej na chladném, suchém a čistém místě. Neskladujte jej v blízkosti korozivních materiálů jako je např. hnojivo nebo kamenná sůl.
- Sekačku uskladněte v krytém, uzavřeném prostoru, který je studený, suchý a mimo dosah dětí.
- Sekačku na trávu nezakrývejte pevnou plastovou fólií. Plastové plachty uzavírají vlhkost okolo sekačky, což způsobuje korozi.
- Sekačku lze skladovat ve svislé nebo vodorovné poloze (obr. Z).

VAROVÁNÍ: Pokud se sekačka převrhne ze svislé polohy, může dojít k poškození sekačky nebo úrazu. Pokud je sekačka ve svislé poloze, udržujte její stabilitu a držte ji mimo dosah dětí. Pokud je to možné, skladujte ji ve vodorovné poloze.

CZ

Ochrana životního prostředí



Elektrické zařízení, nabíječku a baterie/nabíjecí baterie nevhazujte do domovního odpadu!

Podle směrnice Evropského parlamentu a Rady 2012/19/EU se musí odpadní elektrická a elektronická zařízení a podle směrnice 2006/66/ES vadné nebo použité akumulátory/baterie sbírat odděleně.

Pokud se elektrická zařízení likvidují na zavážkách nebo skládkách, mohou do podzemní vody prosáknout nebezpečné látky, dostat se do potravního řetězce a poškodit tak vaše zdraví a zdravotní stav.

ODSTRAŇOVÁNÍ PROBLÉMŮ

⚠ VAROVÁNÍ: Při servisu nebo přepravě sekačky vždy vyjměte bezpečnostní klíč a akumulátor. Vždy chraňte ruce s pomocí pevných rukavic nebo zabalením břitů nože hadrem nebo jiným materiálem při údržbě nože sekačky.

PROBLÉM	PŘÍČINA	ŘEŠENÍ
Sekačka se nespustí	<ul style="list-style-type: none"> ■ Akumulátor je vybitý. ■ Akumulátor není instalován v prostoru pro akumulátor. ■ Obvody akumulátoru nebo sekačky jsou příliš horké. (Kontrolka nabití sekačky se rozsvítí oranžově na dobu 10 sekund) ■ Boční lišty nejsou zcela vysunuté a svorky nezapadly do správné polohy. ■ Rukojeť není nastavená v jedné ze dvou provozních poloh. ■ Šasi sekačky je zanesené trávou a nečistotami. 	<ul style="list-style-type: none"> ■ Nabijte akumulátor. ■ Instalujte akumulátor do sekačky a zatlačte jej, dokud neuslyšíte kliknutí. ■ Nechejte akumulátor nebo sekačku zchladnout, dokud teplota neklesne pod 67°C. ■ Vysuňte maximálně rukojeť a zajistěte ji oběma svorkami. ■ Nastavte rukojeť do jedné ze dvou provozních poloh. ■ Vyčistěte šasi sekačky a zkontrolujte, zda se může nůž volně otáčet.
Sekačka seká nerovnoměrně	<ul style="list-style-type: none"> ■ Nůž je tupý. ■ Výška sekání není správně nastavená. ■ Nůž je nesprávně namontovaný. 	<ul style="list-style-type: none"> ■ Nabruste nebo vyměňte nůž. ■ Zdvihněte šasi do vyšší polohy výšky sekání. ■ Nůž znovu smontujte podle pokynů v části „INSTALACE NOŽE“ v tomto návodu.
Sekačka se při sekání trávy zastaví	<ul style="list-style-type: none"> ■ Akumulátor je vybitý. ■ Sekačka je přelížená. ■ Šasi sekačky je zanesené trávou a nečistotami. ■ Obvody akumulátoru nebo sekačky jsou příliš horké. (Kontrolka nabití sekačky se rozsvítí oranžově na dobu 10 sekund.) ■ Boční lišty se mírně zasunula v důsledku tlačné síly vyvíjené na rukojeť. 	<ul style="list-style-type: none"> ■ Nabijte akumulátor. ■ Zdvihněte výšku sekání nebo zpomalte sekání. ■ Vyčistěte šasi sekačky. Zdvihněte výšku sekání nebo sekejte užší pás. ■ Nechejte akumulátor nebo sekačku zchladnout, dokud teplota neklesne pod 67°C. ■ Uvolněte svorky. Vysuňte maximálně boční lišty a znovu zajistěte je svorkami.
Sekačka špatně mulčuje	<ul style="list-style-type: none"> ■ Na spodní straně šasi se usazuje posekaná tráva. ■ Sekačka je nastavená tak, aby sekala příliš velké množství trávy najednou. 	<ul style="list-style-type: none"> ■ Počkejte, až tráva před sekáním uschne. ■ Zdvihněte šasi do vyšší polohy výšky sekání.

GZ

PROBLÉM	PŘÍČINA	ŘEŠENÍ
Nadměrné vibrace	<ul style="list-style-type: none">▪ Žací nůž je uvolněný.▪ Žací nůž je nevyvážený.▪ Kutterbladet er bøyd.▪ Hřídel motoru je ohnutý.	<ul style="list-style-type: none">▪ Dotáhněte šroub nože.▪ Vyvažte nůž podle pokynů.▪ Vyměňte nůž.▪ Kontaktujte servisní středisko.
Pojistnou svorku rukojeti nelze zajistit v dané poloze	<ul style="list-style-type: none">▪ Boční lišty nejsou maximálně vysunuté.	<ul style="list-style-type: none">▪ Vysuňte maximálně boční lišty, a pak zajistěte svorky.

ZÁRUKA

ZÁRUKA SPOLEČNOSTI EGO

Úplné záruční podmínky společnosti EGO naleznete na webové stránce egopowerplus.com.

CZ

PREČÍTAJTE SI VŠETKY POKYNY!



PREČÍTAJTE SI NÁVOD NA OBSLUHU.

VAROVANIE: Pre zaistenie bezpečnosti a spoľahlivosti je nevyhnutné, aby všetky opravy a výmeny vykonával len kvalifikovaný servisný technik.

Zamýšľané použitie a predpokladané nesprávne použitie: Výrobok je určený výlučne na kosenie trávy v domácich záhradách. Nesmie byť používaný na kosenie príliš vysokej, suchej alebo mokrej trávy, napr. pastvín; ani na sekanie listov. Výrobok sa musí používať v súlade s účelom použitia. Každé iné použitie sa považuje za prípad nevhodného použitia.

BEZPEČNOSTNÉ SYMBOLY

Účelom bezpečnostných symbolov je upozorniť vás na možné nebezpečenstvá. Venujte príslušnú pozornosť a pochopte bezpečnostné symboly a ich vysvetlenia. Varovné symboly, samy o sebe, nedokážu eliminovať nebezpečenstvo. Pokyny a varovania, ktoré obsahujú, nie sú náhradou za vhodné opatrenia na prevenciu úrazov.

VAROVANIE: Pred použitím tohto nástroja si prečítajte a pochopte všetky bezpečnostné pokyny v tomto návode na obsluhu, vrátane všetkých bezpečnostných výstražných symbolov, ako sú „**NEBEZPEČENSTVO**“, „**VAROVANIE**“ a „**UPOZORNENIE**“. Nedodržanie nižšie uvedených pokynov môže mať za následok úraz elektrickým prúdom, požiar a / alebo vážne zranenie.

VÝZNAM SYMBOLU

BEZPEČNOSTNÝ VÝSTRAŽNÝ SYMBOL: Označuje **NEBEZPEČENSTVO**, **VAROVANIE**, alebo **UPOZORNENIE**. Môže byť použitý v spojení s inými symbolmi alebo piktogramami.

VAROVANIE: Prevádzka akéhokoľvek elektrického náradia môže viesť k vymršteniu cudzích predmetov do vašich očí, čo môže spôsobiť vážne poškodenie zraku. Predtým, než začnete používať elektrické náradie, si vždy nasadte ochranné okuliare alebo ochranné okuliare s postrannými krytmi a prípadne celotvárový štít. Odporúčame použiť bezpečnostnú masku so širokým prieszorom na okuliare alebo štandardné bezpečnostné okuliare s postrannými krytmi.

BEZPEČNOSTNÉ POKYNY

Na tejto strane sú uvedené a popísané bezpečnostné symboly, ktoré sa nachádzajú na výrobku. Predtým, než budete montovať a používať stroj, si prečítajte všetky pokyny, snažte sa im porozumieť a postupujte podľa nich.

	Bezpečnostná výstraha	Opatrenia týkajúce sa vašej bezpečnosti.
	Prečítajte si návod na obsluhu	Pred použitím tohto výrobku si musí používateľ prečítať a pochopiť návod na obsluhu, aby sa znížilo riziko poranenia.
	Dávajte pozor na ostré nože.	Nože sa otáčajú i po vypnutí motora. Pred vykonaním údržby odstráňte blokovacie zariadenie. Pred zmenou nastavení alebo čistením stroja ho vypnite a odstráňte odnímateľný akumulátor (alebo blokovacie zariadenie).
	Udržujte osoby v bezpečnej vzdialenosti	Počas používania kosačky zabezpečte, aby osoby a domáce zvieratá zostali vo vzdialenosti aspoň 30m.
	Udržujte nohy a ruky preč	Udržujte nohy a ruky preč
	CE	Tento výrobok je v súlade s platnými smernicami ES.
	UKCA	Tento výrobok je v súlade s príslušnou britskou legislatívou.
	WEEE	Nepotrebné elektrické výrobky sa nesmú likvidovať spolu s domovým odpadom. Odovzdajte do autorizovaného recyklačného strediska.
	Hlučnosť	Garantovaná hladina akustického výkonu. Emisie hluku do prostredia podľa smernice Európskeho spoločenstva.
	Symbol indikátoru napájania	Ochrana proti vniknutiu vody 4. stupňa
	Volt	Napätie
	Ampér	Prúd
	Hertz	Frekvencia (cykly za sekundu)
	Watt	Výkon
	Minúty	Čas
	Striedavý prúd	Typ prúdu
	Jednosmerný prúd	Typu alebo charakteristika prúdu

SK

n_0	Rýchlosť bez záťaže	Rýchlosť otáčania bez záťaže
... /min	Za minútu	Otáčky za minútu

VŠEOBECNÉ BEZPEČNOSTNÉ UPOZORNENIA PRE ELEKTRICKÉ NÁRADIE

⚠ VAROVANIE: PREČÍTAJTE SI VŠETKY BEZPEČNOSTNÉ VÝSTRAHY, POKYNY, ILUSTRÁCIE A TECHNICKÉ ÚDAJE DODANÉ S TÝMTO ELEKTRICKÝM NÁSTROJOM. Nedodržanie nižšie uvedených pokynov môže mať za následok úraz elektrickým prúdom, požiar a/alebo vážne zranenie.

VŠETKY VAROVANIA A POKYNY SI PONECHAJTE PRE PRÍPADNÚ POTREBU V BUDÚCNOSTI.

Termín „elektrické náradie“ vo varovaniach znamená váš elektrický prístroj zapojený (cez kábel) do prívodu elektrickej energie alebo napájaný (bezdrôtovo) z batérie.

BEZPEČNOSŤ PRACOVISKA

- Udržiavajte pracovisko čisté a dobre osvetlené. Preplnené alebo tmavé miesta znásobujú riziko nehody.
- **Nepoužívajte elektrické náradie vo výbušnom prostredí, napríklad v prítomnosti horľavých kvapalín, plynov alebo prachu.** Elektrické náradie je zdrojom iskrenia, ktoré môže zapáliť prach alebo výpary.
- Pri používaní elektrického náradia udržiavajte deti a okolostojace osoby mimo pracoviska. Rozptyľovanie pozornosti môže viesť ku strate kontroly.

ELEKTRICKÁ BEZPEČNOSŤ

- Zástrčka elektrického náradia musí zodpovedať elektrickej zásuvke. Nikdy a žiadnym spôsobom nemodifikujte zástrčku. Nepoužívajte žiadne rozbočovacie zástrčky s uzemneným elektrickým náradím. Neupravené zástrčky a príslušné zásuvky obmedzia nebezpečenstvo úrazu elektrickým prúdom.
- Zabráňte kontaktu tela s uzemnenými povrchmi, ako sú rúry, radiátory, sporáky a chladničky. Dochádza k zvýšeniu rizika úrazu elektrickým prúdom, ak je vaše telo uzemnené.
- Chráňte elektrické náradie pred dažďom a vlhkým prostredím. Vniknutie vody do elektrického náradia zvyšuje riziko úrazu elektrickým prúdom.
- Nepoužívajte kábel nesprávnym spôsobom. Nepoužívajte ho na prenášanie, ťahanie alebo

odpájanie elektrického náradia. Udržujte kábel v dostatočnej vzdialenosti od zdrojov tepla, oleja, ostrých hrán alebo pohyblivých častí. Poškodená alebo zamotaná šnúra zvyšuje riziko zasiahnutia elektrickým prúdom.

- Ak sa chystáte náradie použiť v exteriéroch, použite výhradne predĺžovaciu šnúru vhodnú na použitie v exteriéroch. Použitie šnúry vhodnej pre použitie v exteriéroch znižuje riziko úrazu elektrickým prúdom.
- Ak je používanie elektrického náradia vo vlhkom prostredí nevyhnutné, použite napájanie chránené prúdovým chráničom. Použitie prúdového chrániča znižuje riziko úrazu elektrickým prúdom.

BEZPEČNOSŤ OSÔB

- Buďte pozorní, sledujte to, čo robíte a používajte zdravý rozum pri práci s elektrickým náradím. Nepoužívajte elektrické náradie, ak ste unavení alebo pod vplyvom drog, alkoholu alebo liekov. Chvilková nepozornosť pri práci s elektrickým náradím môže mať za následok vážne zranenie.
- Používajte osobné ochranné pomôcky. Vždy používajte ochranu očí. Ochranné prostriedky ako respirátor, protišmyková bezpečnostná obuv, prilba alebo chrániče sluchu použité za vhodných podmienok znižujú nebezpečenstvo zranenia.
- Zabráňte neúmyselnému uvedeniu stroja do prevádzky. Pred pripojením k zdroju napájania a/alebo akumulátoru, pri zdvíhaní alebo prenášaní nástroja sa uistite, že prepínač je vo vypnutej polohe. Prenášanie elektrického náradia s prstom na vypínači alebo aktivácia elektrického náradia, ktoré má zapnutý vypínač, môže viesť k úrazu.
- Pred spustením náradia vždy odstráňte nastavovací klin alebo kľúč. Kľúč alebo klin, ktorý necháte pripavený k otáčajúcej sa časti elektrického náradia, môže spôsobiť zranenie osôb.
- Nepreceňujte sa. Pri práci vždy dodržujte správny postoj a rovnováhu. To umožňuje lepšiu ovládateľnosť náradia v nečakaných situáciách.
- Noste vhodné oblečenie. Nenoste šperky alebo voľný odev. Udržujte vlasy, oblečenie a rukavice v dostatočnej vzdialenosti od pohybujúcich sa dielov. Voľný odev, šperky alebo dlhé vlasy môžu byť zachytené pohybujúcimi sa dielmi.
- Pokiaľ je náradie vybavené zariadením na zachytávanie prachu a úlomkov materiálu, skontrolujte, či je k náradu správne pripavené. Použitie odsávania prachu môže znížiť nebezpečenstvo, ktoré súvisí s prachom.

SK

- **Nedovoľte, aby ste sa po získaní skúseností častým používaním nástrojov stali neobozretnými a ignorovali zásady bezpečnosti.** Nedbalá činnosť môže spôsobiť vážne zranenie za zlomok sekundy.

POUŽITIE ELEKTRICKÉHO NÁRADIA A STAROSTLIVOSŤ

- **Stroj nepreťažujte. Používajte správny typ náradia určený na danú prácu.** Náradie bude pracovať lepšie a bezpečnejšie pri rýchlosti, na ktorú bolo navrhnuté.
- **Nepoužívajte elektrické náradie, ak sa nedá zapnúť a vypnúť použitím vypínača.** Akékoľvek elektrické náradie, ktoré sa nedá ovládať vypínačom je nebezpečné a musí sa opraviť.
- **Pred akýmkoľvek nastavením, výmenou príslušenstva alebo pred uložením elektrického náradia odpojte zástrčku od zdroja a/alebo akumulátora.** Takéto preventívne bezpečnostné opatrenia znižujú riziko náhodného spustenia elektrického náradia.
- **Uchovávajte nepoužívané elektronáradie mimo dosahu detí a nedovoľte, aby osoby neoboznámene s elektrickým náradím alebo s týmito pokynmi náradie používali.** Elektrické náradie je nebezpečné v rukách neskúsených používateľov.
- **Udržujte elektrické náradie a príslušenstvo. Skontrolujte nastavenie pohyblivých častí, poškodenie dielov a akékoľvek ďalšie okolnosti, ktoré môžu mať vplyv na funkciu elektrického náradia. Ak je elektrické náradie poškodené, nechajte ho pred použitím opraviť.** Veľa úrazov je zapríčinených zle udržiavaným náradím.
- **Rezacie nástroje udržiavajte ostré a čisté.** Starostlivo ošetrované rezné nástroje s ostrými čepeľami menej pravdepodobne uviaznu a jednoduchšie sa ovládajú.
- **Používajte elektronáradie, príslušenstvo, násady apod. podľa týchto pokynov a rešpektujte pritom pracovné podmienky a vykonávanú činnosť.** Použitie elektrického náradia na iné ako určené účely môže viesť k nebezpečným situáciám.
- **Udržujte rukoväte a uchopovacie plochy suché, čisté, bez oleja a maziva.** Klzké držadlá a uchopovacie plochy môžu viesť k nebezpečnej manipulácii alebo strate schopnosti ovládať nástroj.

POUŽÍVANIE A STAROSTLIVOSŤ O NÁRADIE NA BATÉRIE

- **Nabíjajte len pomocou nabíjačky špecifikovanej výrobcom.** Nabíjačka, ktorá je vhodná pre jeden typ akumulátorovej batérie, môže predstavovať pri nabíjaní iného typu akumulátorovej batérie nebezpečenstvo.
- **Používajte elektrické náradie iba s výslovnou určenými akumulátormi.** Použitie iných typov akumulátorov môže spôsobiť riziko úrazu a požiaru.
- **Ak sa akumulátor nepoužíva, držte ho mimo iných kovových predmetov, ako sú sponky, mince, kľúče, kince, skrutkovače alebo iné malé kovové predmety, ktoré by mohli navzájom prepojiť kontakty akumulátora.** Skratovanie kontaktov akumulátora môže spôsobiť popálenie alebo požiar.
- **Za nevhodných podmienok môže z akumulátora uniknúť kvapalina. Zabráňte kontaktu. Pri náhodnom kontakte opláchnite vodou. Pri zasiahnutí očí vyhľadajte lekársku pomoc. Unikajúca kvapalina z akumulátora môže spôsobiť podráždenie pokožky alebo popálenie.**
- **Nepoužívajte akumulátor alebo nástroj, ktorý je poškodený alebo upravený.** Poškodené alebo upravené akumulátory môžu mať nepredvídateľné chovanie, ktoré môže viesť k požiaru, výbuchu alebo nebezpečenstvu poranenia.
- **Nevystavujte akumulátor ani nástroj ohňu alebo nadmernej teplote.** Pri vystavení ohňu alebo teplote nad 130 ° C môže dôjsť k výbuchu.
- **Dodržujte všetky pokyny pre nabíjanie a nenabíjajte akumulátor alebo nástroj mimo rozsah teplôt uvedených v pokynoch.** Nesprávne nabíjanie alebo nabíjanie pri teplotách mimo stanovený rozsah môže poškodiť akumulátor a zvýšiť riziko požiaru.

Oprava

- **Náradie zverte do opravy kvalifikovanej osobe, ktorá použije iba originálne náhradné diely.** Zabezpečte tak zachovanie bezpečnosti elektrického náradia.
- **Nikdy neopravujte poškodené akumulátory.** Servis akumulátorov smie robiť iba výrobca alebo autorizovaný poskytovateľ služieb.

SK

BEZPEČNOSTNÉ PRAVIDLÁ PRE AKUMULÁTOROVÚ KOSAČKU NA TRÁVU

⚠ NEBEZPEČENSTVO: Tento stroj bol vyrobený tak, aby bol používaný v súlade s pravidlami pre bezpečnú prevádzku uvedenými v tomto návode. Rovnako ako u akéhokoľvek typu elektrického zariadenia, nedbalosť alebo chyba na strane používateľa môže viesť k vážnemu zraneniu. Tento stroj môže spôsobiť poranenia rúk a nôh a vymrštenie predmetov. Nedodržanie bezpečnostných pokynov môže mať za následok vážne poranenie alebo smrť.

⚠ VAROVANIE: Pri použití akumulátorových kosačiek je potrebné vždy dodržiavať základné bezpečnostné opatrenia, aby sa znížilo riziko požiaru, úrazu elektrickým prúdom a zranenia osôb.

DÔLEŽITÉ

PRED POUŽITÍM SI POZORNE PREČÍTAJTE. ODLOŽTE SI PRE BUDÚCU POTREBU.

BEZPEČNOSTNÉ PRAVIDLÁ PRE AKUMULÁTOROVÚ KOSAČKU NA TRÁVU:

VÝSTRAHA - NEDOTÝKAJTE SA OTÁČAJÚCEJ ČEPELE!

ŠKOLENIE

- Prečítajte si pozorne tieto pokyny. Zoznámte sa s ovládacími prvkami a správnym používaním zariadenia.
- Nikdy nedovoľte používať zariadenie osobám alebo deťom, ktoré nie sú oboznámené s týmito pokynmi. Miestne predpisy môžu obmedzovať vek obsluhy.
- Nikdy nekoste trávu v blízkosti osôb, najmä detí alebo zvierat.
- Obsluha alebo používateľ je zodpovedný za nehody a nepredvídané udalosti voči iným osobám a ich majetku.

PRÍPRAVA

- Pri kosení vždy noste pevnú obuv a dlhé nohavice.
- Nepoužívajte zariadenie, ak ste bosí alebo máte obuté otvorené sandále. Nenoste oblečenie, ktoré je voľné alebo z ktorého visia šnúrky alebo remienky.
- Dôkladne skontrolujte oblasť, kde má byť zariadenie používané a odstráňte všetky kamene, palice, drôty, kosti a iné cudzie predmety.
- Pred použitím vždy vizuálne skontrolujte, či nie sú poškodené čepele, skrutky čepeľí a rezný mechanizmus. Vymeňte opotrebované alebo poškodené čepele a skrutky naraz, aby ste zachovali vyváženú. Vymeňte poškodené alebo nečitateľné štítky.

OBSLUHA

- Pracujte iba za denného svetla alebo pri dobrom umelom osvetlení.
- Ak je to možné, vyvarujte sa použitiu zariadenia na mokrej tráve.
- Pri pohybe na svahu dajte na pevný postoj.
- Kráčajte, nikdy nebežte.
- Pri použití kolesových rotačných kosačiek koste trávu krížom cez svah, nikdy nie nahor a nadol.
- Zvýšte opatrnosť pri zmene smeru na svahu.
- Nekoste na príliš strmých svahoch.
- Pri cúvaní alebo ťahaní zariadenia smerom k sebe buďte mimoriadne opatrní.
- Zastavte čepele, ak chcete zariadenie nakloniť kvôli preprave pri prechádzaní iných povrchov než trávy a pri preprave zariadenia z a do oblasti, ktorá sa má kosiť.
- Nikdy nepoužívajte zariadenie s poškodenými ochrannými krytmi alebo štítkmi, alebo bez správne umiestnených bezpečnostných zariadení, napríklad deflektorov a/alebo zberného vaku na trávu.
- Zapnite motor podľa pokynov. Dbajte na to, aby boli vaše nohy ďaleko od čepele.
- Pri zapínaní motora nenakláňajte zariadenie okrem prípadu, kedy ho treba nakloniť kvôli spusteniu. V takomto prípade ho nenakláňajte viac, než je nevyhnutné a zodvihnite iba časť, ktorá je ďalej od používateľa. Pred vrátením zariadenia na zem sa vždy uistite, že máte obe ruky v obslužnej polohe. Nezapínajte zariadenie, ak stojíte pred výpustným otvorom.
- Nedávajte ruky alebo nohy do blízkosti rotujúcich častí alebo pod nich. Pri používaní rotačných kosačiek sa vždy pohybujte mimo výpustného otvoru.
- Nikdy zariadenie nedvíhajte ani neprenášajte počas chodu motora.
- Pred úpravou nastavenia a čistením vypnite zariadenie a odstráňte odnímateľný akumulátor (alebo blokovacie zariadenie) a uistite sa, že všetky pohyblivé časti sa úplne zastavili:
 - vždy, keď odídete od stroja;
 - pred čistením upchatia a uvoľnením výsypky;
 - pred kontrolou, čistením alebo prácou na zariadení;
 - po náraze na cudzí predmet. Skontrolujte, či nie je zariadenie poškodené a podľa potreby vykonajte opravu.
- V prípade, že zariadenie začne nezvyčajne vibrovať (ihneď prevrte):
 - Skontrolujte prípadné poškodenie;

SK

- Vymeňte alebo opravte poškodené diely;
- Skontrolujte a dotiahnite všetky uvoľnené časti.

ÚDRŽBA A SKLADOVANIE

- Pri nastavovaní zariadenia buďte opatrní, aby ste predišli zakliesneniu prstov medzi pohybujúce sa čepele a pevné časti zariadenia.
- Kontrolujte utiahnutie všetkých závitníc, skrutiek a matíc s cieľom zaistiť bezpečný prevádzkový stav zariadenia.
- Pravidelne kontrolujte zberný vak na známky opotrebenia alebo poškodenia.
- V rámci zaistenia bezpečnosti vymeňte opotrebované alebo poškodené diely.
- Čistenie a údržbu nesmú robiť deti, ak nie sú pod dohľadom dospelšej osoby.
- Pri údržbe čepeľí si treba uvedomiť, že hoci je zdroj napájania vypnutý, čepele sa môžu ešte pohybovať.
- Pri používaní rotačných kosačiek sa uistite, že používate iba správny typ náhradných rezných nástrojov.

OSOBNÁ OCHRANA

Ak si používateľ neuvedomuje prítomnosť detí, môže prísť k tragickému nehode. Deti často zaujímajú kosačky a kosenie. Nerozumejú nebezpečenstvu. Nepredpokladajte, že deti zostanú tam, kde ste ich naposledy videli.

- Deti musia zostať mimo priestoru, v ktorom sa kosí a pod starostlivým dohľadom zodpovednej dospelšej osoby, ktorá práve nepoužíva zariadenie.
- Dávajte pozor a vypnite kosačku, ak dieťa vstúpi do uvedeného priestoru.
- Zvýšte pozornosť, ak prichádzate k slepým uhlom, pri vchodoch do dverí, kríkoch, stromoch a iných predmetoch, ktoré vám môžu zasiahnuť výhľad na dieťa utekajúce ku kosačke.
- Deti musia byť pod dohľadom, ktorý zabezpečí, že sa nebudú hrať s kosačkou.
- Vždy vypnite kosačku, ak z stroja vyberáte akumulátor. Zastavte čepele, ak chcete zariadenie nakloniť kvôli preprave pri prechádzaní iných povrchov než trávy a pri preprave zariadenia z a do oblasti, ktorá sa má kosiť.

POUŽÍVANIE

BEŽNÁ OBSLUHA:

- Dôkladne si prečítajte tento návod na obsluhu v celom rozsahu predtým, než sa pokúsíte zmontovať stroj. Pred používaním stroja si prečítajte všetky pokyny, snažte sa im porozumieť a postupujte podľa nich. Pred použitím stroja sa dôkladne oboznámte s jeho ovládacími prvkami a správnym používaním. Odložte si túto príručku na bezpečné miesto pre budúce a pravidelné používanie a pre objednávanie náhradných dielov.
- Používajte správne zariadenie. Nepoužívajte kosačku na inú činnosť, než na akú je určená.
- Nepreceňujte svoje sily. Za každých okolností udržiavajte pevný postoj a rovnováhu.
- Predmety odrazené od čepele kosačky môžu spôsobiť vážne poranenie osôb. Pred kosiením vždy trávnik starostlivo prezrite a odstráňte všetky predmety.
- Pred a pri pohybe vzad sa obzrite za seba a dolu a skontrolujte prítomnosť malých detí a iných osôb.
- Tento stroj nie je hračka. Preto vždy dajte na maximálnu opatnosť. Výrobok bol navrhnutý na jednu činnosť: kosenie trávy. Nepoužívajte ho na iné účely.
- Netlačte kosačku silou. Bude lepšie a bezpečnejšie kosiť pri rýchlosti, na ktorú bola navrhnutá.
- Pred použitím vždy vizuálne skontrolujte, či nie sú poškodené čepele, skrutky čepeľí a rezný mechanizmus. Vymeňte opotrebované alebo poškodené čepele a skrutky a všetky ďalšie súčasti naraz, aby ostal stroj vyvážený. Vymeňte poškodené alebo nečitateľné štítky.
- Pri cúvaní alebo ťahaní zariadenia smerom k sebe buďte mimoriadne opatrní.
- Dôkladne skontrolujte oblasť, kde má byť zariadenie použité. Odstráňte všetky kamene, palice, drôty, hračky a iné cudzie predmety, o ktoré by mohli čepele kosačky zavadiť, nadvihnúť ich a vymrštiť. Vymrštené predmety môžu spôsobiť vážne zranenie. Naplánujte si kosenie tak, aby ste zabránili rozptýleniu materiálu smerom na cestu, chodníky, okolité osoby a podobne. Snažte sa tiež vyhnúť vyhadzovaniu materiálu proti múru alebo prekážkam, ktoré môže spôsobiť, že sa materiál odrazí späť smerom k obsluhu.
- Počas používania sa snažte predísť kontaktu s čepeľami alebo zraneniu spôsobenému vymrštenými predmetmi tým, že budete pracovať v oblasti za rukoväťami a udržiavať deti, okoloidúcich, pomocníkov a domáce zvieratá vo vzdialenosti najmenej 30 m od kosačky. Zastavte stroj, ak niekto vstúpi do pracovného priestoru.
- Počas používania, nastavovania a opravách vždy noszte ochranné okuliare, aby ste si chránili oči. Vymrštené predmety, ktoré sa odrazia, môžu spôsobiť vážne poranenie očí. V prašnej prevádzke vždy používajte tvárovú alebo protiprachovú masku.

SK

- Vhodne sa obliekajte. Nenoste voľné oblečenie alebo šperky. Môžu byť zachytené pohybujúcimi sa časťami. Pri práci vonku odporúčame používať gumové rukavice a obuv. Noste pracovné topánky s pevnou, drsnou podrážkou a priliehavé nohavice a košeľe. Odporúčame používať košeľe a nohavice, ktoré zakryjú ruky a nohy a topánky s oceleovou špicou. Nikdy nepoužívajte tento stroj, ak ste bosí, máte obuté sandále, šmykľavé alebo ľahké topánky (napr. plátenné).
- Nedávajte ruky alebo nohy do blízkosti rotujúcich častí alebo pod spodnú časť kosačky. Kontakt s čepeľou môže spôsobiť poranenie rúk a nôh.
- Chýbajúci alebo poškodený kryt môže viesť ku kontaktu s čepeľou a k zraneniam spôsobeným vyvrátenými predmetmi.
- Mnoho zranení je dôsledkom ťahania kosačky cez nohy alebo pádu spôsobeného pošmyknutím alebo potknutím. Pri páde sa nedržte kosačky. Ihneď pusťte rukoväť.
- Pri chôdzi nikdy neťahajte kosačku smerom k sebe. Ak musíte odtrhnúť kosačku od steny alebo prekážky, najskôr sa pozrite dolu a za seba, aby ste predišli zakopnutiu a postupujte nasledovne:
 - Odstúpte od kosačky tak, aby ste úplne natiahli ruky.
 - Uistite sa, že máte dobrú rovnováhu a správne stojíte.
 - Potiahnite kosačku pomaly späť, nie viac ako na pol cesty smerom k vám.
 - Opakujte tieto kroky podľa potreby.
- Nepoužívajte kosačku, ak ste pod vplyvom alkoholu alebo drog.
- Buďte stále v strehu. Dávajte pozor na to, čo robíte. Používajte zdravý rozum. Nepoužívajte kosačku, ak ste unavení.
- Ovládacia páčka motora/čepele je bezpečnostné zariadenie. Nikdy sa nesnažte premostiť jej funkciu. Môže to spôsobiť odstavenie bezpečnostného zariadenia, čo môže mať za následok zranenie osoby pri kontakte s otáčajúcou sa čepeľou. Ovládacia páčka motora/čepele sa musí ľahko pohybovať oboma smermi a pri uvoľnení sa musí automaticky vrátiť do nezapnutej polohy.
- Vyhýnajte sa nebezpečnému prostrediu. Nepoužívajte kosačky vo vlhkom alebo mokrom prostredí.
- Nepoužívajte v daždi.
- Majte vždy pevný postoj. Pošmyknutie a pád môžu spôsobiť vážne osobné zranenie. Ak máte pocit, že váš postoj nie je pevný, okamžite uvoľnite ovládacia páčka motora/čepele a čepeľ sa do troch sekúnd prestane otáčať.
- Zastavte čepeľ pri prechádzaní cez štrkové príjazdové cesty, chodníky alebo ulice.
- V prípade, že nástroj začne nezvyčajne vibrovať, vypnite motor a ihneď zistite príčinu. Vibrácie zvyčajne upozorňujú na problém.
 - Skontrolujte prípadné poškodenie;
 - Vymeňte alebo opravte všetky poškodené diely, ktoré používateľ môže opravovať;
 - Skontrolujte a dotiahnite všetky uvoľnené časti.
 - Nikdy nepoužívajte kosačku bez nainštalovaného vhodného a funkčného ochranného štítu, krytu výsypky, zberného vaku, mulčovacej vložky, bočnej výsypky, ovládacej páčky motora/čepele alebo iného bezpečnostného ochranného zariadenia. Nikdy nepoužívajte kosačku s poškodenými bezpečnostnými zariadeniami. Ak tak urobíte, môže dôjsť k zraneniu osôb.
- Ak sa vyskytnú situácie, ktoré nie sú zahrnuté v tomto návode, buďte opatrní a použite zdravý úsudok. Obráťte sa na zákazníkove servisné stredisko EGO pre pomoc.
- Pred likvidáciou musí byť akumulátor odstránený zo zariadenia.
- Batérie likvidujte bezpečným spôsobom.

SK

PREVÁDZKA NA SVAHU:

Svahy sú hlavným faktorom v súvislosti s pošmyknutím a pádom, ktoré môžu viesť k ťažkým zraneniam. Pri pohybe na svahu dbajte na pevný postoj. Použitie kosačky na svahoch vyžaduje zvýšenú pozornosť. Ak sa na svahu necítite dobre, nekoste ho.

Čo robiť:

- Koste križom cez svah; nikdy nekoste smerom hore a dolu. Zvýšte opatnosť pri zmene smeru na svahu.
- Dávajte pozor na diery, vyjazdené kolajce, skaly, skryté predmety alebo hrbole, ktoré môžu spôsobiť pošmyknutie alebo zakopnutie. Vysoká tráva môže skrývať prekážky.

Čo nerobiť:

- Nekoste v blízkosti zrázov, priekop alebo násypov; mohli by ste stratiť pevný postoj alebo rovnováhu.
- Nekoste svahy so sklonom väčším ako 15 stupňov.
- Nekoste mokrú trávu. Nestabilný postoj môže spôsobiť pošmyknutie.

OPRAVA

VAROVANIE: Diely zberného vaku, kryt výsypky, bočná výsypka, mulčovacia vložka a ochranný štít podliehajú opotrebovaniu a poškodeniu, ktoré by mohlo odkryť pohyblivé časti alebo vyvrátiť predmety a zvýšiť riziko zranenia. Z pohľadu bezpečnosti je dôležité často

kontrolovať všetky komponenty a ihneď vymeniť poškodené časti za identické náhradné diely uvedené v tomto návode. Kontaktujte zákaznický servis EGO alebo najbližšie servisné stredisko EGO. Opravu alebo výmenu smie vykonávať len kvalifikovaný servisný technik!

- Ak sa prepínač zabudovanej ochrany proti preťaženiu kosačky často vypína, obráťte sa na zákaznické stredisko EGO alebo najbližšie servisné stredisko EGO.
- Na umývanie kosačky nepoužívajte hadicu. Voda by sa mohla dostať do motora a elektrických spojov.
- Ak sa kosačka nepoužíva, vyberte kľúč a uskladnite ju nezapojenú v uzavretom priestore. Pred uložením do uzavretého priestoru nechajte motor vychladnúť. Kosačka musí byť skladovaná v suchom, vysokom alebo uzamykateľnom uzavretom priestore, mimo dosahu detí.
- Pri údržbe používajte iba identické náhradné diely uvedené v tomto návode. Používanie dielov, ktoré nespĺňajú pôvodné technické údaje zariadenia, môže mať za následok nedostatočný výkon a ohrozenie bezpečnosti.
- Odstráňte a odpojte akumulátor pred vykonávaním údržby, čistením alebo odstraňovaním materiálu z kosačky.
- Dodržujte pokyny pre výmenu príslušenstva.
- Udržujte rukoväte suché, čisté, bez oleja a maziva.
- Aby sa znížilo nebezpečenstvo požiaru, dbajte na to, aby bol kryt motora bez trávy, listia a nahromadených nečistôt.
- V pravidelných intervaloch kontrolujte na správne dotiahnutie upevňovacie skrutky čepele a motora. Tiež vizuálne skontrolujte, či nie je čepeľ poškodená (napr. prehnutie, praskliny a opotrebovanie). Vymeňte čepeľ len za originálnu náhradnú čepeľ uvedenú v tomto návode.
- O kosačku sa dôkladne starajte. Ostrite a čistite čepeľ, aby ste dosiahli najlepší a najbezpečnejší výkon. Čepele kosačky sú ostré a dokážu porezať. Pri údržbe čepeľ zabaľte alebo použite rukavice. Dbajte na zvýšenú opatnosť.
- Nikdy neodstraňujte, alebo nemanipulujte s bezpečnostnými zariadeniami. Pravidelne kontrolujte ich správnu činnosť. Nikdy nerobte nič, čo by mohlo zasiahnuť do zamýšľanej funkcie bezpečnostného zariadenia alebo znížiť ochranu poskytovanú bezpečnostným zariadením.
- Pred nastavovaním výšky kolies alebo kosenia vždy zastavte motor.
- Po náraze na cudzí predmet zastavte motor, vyberte kľúč a dôkladne skontrolujte prípadné poškodenie kosačky. Pred použitím kosačky opravte poškodenie.
- Podľa potreby udržiavajte bezpečnostné štítky a štítky s pokynmi v dobrom stave. Kontaktujte zákaznický

servis EGO alebo najbližšie servisné stredisko EGO. Opravu alebo výmenu smie vykonávať len kvalifikovaný servisný technik!

- **ODLOŽTE SI TIETO POKYNY.** Používajte ich často a používajte ich tiež na poučenie ostatných, ktorí môžu tento prístroj používať. Ak niekomu požičiate kosačku, požičajte mu aj tieto pokyny, aby ste predišli nesprávnemu použitiu výrobku a možnému zraneniu.

POUŽITIE A STAROSTLIVOSŤ O BATÉRIE

- Batérie náležite recyklujte a likvidujte tak, aby ste chránili prírodné zdroje. Tento výrobok obsahuje lítium-iónové batérie. Lokálne alebo národné zákony zakazujú vyhadzovanie lítium-iónových batérií do bežného odpadu. Poradte sa na miestnom úrade ohľadne likvidácie odpadu a získajte informácie o dostupných možnostiach recyklácie a/alebo likvidácie.
- Po vybratí akumulátora na likvidáciu alebo recykláciu zakryte svorky akumulátora odolnou lepiacou páskou. Nepokúšajte sa zničiť alebo rozoberať akumulátor, či odstrániť niektorú z jeho súčastí. Lítium-iónové batérie sa musia správne recyklovať alebo likvidovať. Tiež sa nikdy nedotýkajte svoriek s kovovými predmetmi a/alebo časťami tela, pretože by mohlo dôjsť ku skratu. Uschovajte mimo dosahu detí. Nedodržanie týchto varovaní môže viesť k požiaru a/alebo vážnemu zraneniu.
- **ZA NEVHODNÝCH PODMIENOK MÔŽE Z BATÉRIE UNIKAŤ KVAPALINA. ZABRÁŇTE KONTAKTU. PRI NÁHODNOM KONTAKTE OPLÁCHNITE VODOU. PRI ZASIAHNUTÍ OČÍ VYHLADAJTE LEKÁRSKU POMOC.** Unikajúca kvapalina z batérie môže spôsobiť podráždenie alebo popálenie.

SK

TECHNICKÉ ÚDAJE

Číslo modelu	LM2020E	LM2020E-SP
Samohybný systém	Nie	Áno
Napätie	56 V	56 V
Rýchlosť bez záťaže	3000 /min	3000 /min
Výška kosenia	25-95 mm	25-95 mm
Odporúčaná prevádzková teplota:	0°C-40°C	0°C-40°C
Odporúčaná skladovacia teplota:	-20°C-70°C	-20°C-70°C
Polohy výšky kosenia	6	6
Veľkosť spodnej strany kosačky	51 cm	51 cm

Šírka kosenia	50 cm	50 cm	
Objem zberného koša	60 L	60 L	
Hmotnosť kosačky (bez akumulátora, mulčovací vložka)	24,4 kg	27,2 kg	
Model noža	AB2001	AB2001	
Nameraná hladina akustického výkonu L_{WA}	91,5 dB(A) K=1,80 dB(A)	91,0 dB(A) K=1,89 dB(A)	
Hladina akustického tlaku na uši obsluhy L_{PA} K=3 dB(A)	79,5 dB(A)	79,2 dB(A)	
Garantovaná hladina akustického výkonu L_{WA} (merané podľa 2000/14 / ES)	93 dB(A)	93 dB(A)	
Vibrácie A_{hod} K=1,5 m/s ²	Ľavá rukoväť	≤2,5 m/s ²	≤2,5 m/s ²
	Pravá rukoväť	≤2,5 m/s ²	≤2,5 m/s ²
Brzda noža	Áno	Áno	

- Celková deklarovaná hodnota vibrácií bola naměřena. Deklarovaná celková hodnota vibrácií bola v súlade so štandardnou skúšobnou metódou a môže sa použiť na vzájomné porovnanie jednotlivých nástrojov;
- Deklarovaná celková hodnota vibrácií sa tiež môže použiť na predbežné vyhodnotenie času práce.

UPOZORNENIE: Hodnota vibrácií pri aktuálnom použití elektrického zariadenia sa môže líšiť od deklarovanej hodnoty, v rámci ktorej je stroj používaný; kvôli svojej ochrane by mal používateľ nosiť rukavice a ochranu sluchu podľa aktuálnych podmienok použitia.

OBSAH BALENIA

NÁZOV DIELU	MNOŽSTVO
Kosačka na trávnu	1
Zberný kôš	1
Konštrukcia zberného koša	1
Mulčovací vložka	1
Bočná výsypka	1
Bezpečnostný kľúč	1
Návod na obsluhu	1

POPIS

ZOZNÁMTE SA S KOSAČKOU

(obr. A & B & C & D & E)

- 1 Výkyvný prepínač (pákový prepínač)
- 2 Rukoväť

- 3 Bezpečnostné tlačidlo
- 4 Samohybný spúšťač
- 5 Blokovacia svorka rukoväte
- 6 Zberný kôš
- 7 Páka na nastavenie výšky kosenia
- 8 Zadné koleso
- 9 Bočné výstupné dverka
- 10 Spodná časť kosačky
- 11 LED predné svetlá
- 12 Kryt stroja
- 13 Predné koleso
- 14 Kryt akumulátora
- 15 Zadná rukoväť
- 16 Páka rýchleho nastavenia
- 17 Zadné dverka výsypky
- 18 Bočná lišta
- 19 Samohybná páka na kontrolu rýchlosti
- 20 Tieniaci štít
- 21 Vypínač LED predných svetiel
- 22 Indikátor napájania
- 23 Tlačidlo na uvoľnenie batérie
- 24 Otvor na bezpečnostný kľúč
- 25 Mulčovací vložka
- 26 Bočný výstupný žlab

PREVÁDZKA

ZOSTAVENIE ZBERNÉHO KOŠA

- 1) Nasadte zberný kôš na konštrukciu (obr. F).
- 2) Pripojte horné svorky ku konštrukcii (obr. G), potom nasadte dve bočné svorky. Ako poslednú nasadte spodnú svorku.
- 3) Kompletne zostavený zberný kôš je znázornený na obr. H.

NASTAVENIE SKLOPNEJ RUKOVÄTE

VAROVANIE: Nepokúšajte sa zapnúť kosačku, kým nie je rukoväť blokována v jednej z troch prednastavených prevádzkových polôh (HORNEJ PREVÁDZKOVEJ POLOHE, STREDNEJ PREVÁDZKOVEJ POLOHE alebo DOLNEJ PREVÁDZKOVEJ POLOHE).

Kosačka je dodávaná s rukoväťou v kompaktnej, ZAFIXOVANEJ POLOHE PRE SKLADOVANIE (obr. I).

- 1) Stlačte a podržte páku rýchleho nastavenia, aby ste uvoľnili rukoväť zo ZAFIXOVANEJ POLOHY PRE SKLADOVANIE.
- 2) Zdvihnite rukoväť zo sklopenej polohy, potom uvoľnite

páku. Jemne otočte rukoväťou smerom nahor, až kým nebudete počuť a neucítite, že poistný kolík zapadol do jednej z polôh tak, ako je znázornené na obr. J.

Obr. J pozri nižšie popis dielov:

J-1	Zaistená poloha pre skladovanie
J-2	Nástavec pre vak na trávu / Odstraňovacia poloha
J-3	Horná prevádzková poloha
J-4	Stredná prevádzková poloha
J-5	Dolná prevádzková poloha

NASADENIE / VYŇATIE ZBERNÉHO KOŠA / MULČOVAČEJ VLOŽKY

VAROVANIE: Predtým než začnete vykonávať zmeny nastavenia kosačky, vždy najskôr vypnite motor, vytiahnite bezpečnostný kľúč a počkajte, kým sa nôž prestane otáčať.

UPOZORNENIE: Pred koséním pripevnite ku kosačke všetko príslušenstvo.

■ Nasadenie / Vyňatie zberného koša (obr. K)

Nastavte rukoväť do vhodnej prevádzkovej polohy. Zdvihnite zadné dvierka výsypky a zaveste zberný kôš na trávy na otočnú tyč. Ak chcete kôš odstrániť, stačí ho zdvihnúť a vysunúť z otočnej tyče. Nakoniec pustíte zadné dvierka výsypky.

UPOZORNENIE: Odstráňte inštalovanú mulčovací vložku v kosačke predtým, než k nej pripojíte zberný kôš.

■ Nasadenie / Vyňatie mulčovacej vložky (obr. L)

Zdvihnite zadné dvierka výsypky a vložte mulčovací vložku do kosačky. Ak ju chcete odstrániť, stačí ju vytiahnuť von. Nakoniec pustíte zadné dvierka výsypky.

■ Nasadenie / Vyňatie bočnej výsypky (obr. M)

Zdvihnite dvierka bočnej výsypky. Nastavte otvor výsypky kolieskom dverí výsypky a opatne uvoľnite dvierka bočnej výsypky, aby sa otáčali okolo otočnej tyče, až kým sa pevne nezastavia na výsypke. Pri vyňatí zdvihnite dvere bočnej výsypky, zdvihnite bočnú výsypku, uvoľnite koliesko dverí.

Obr. M pozri nižšie popis dielov:

M-1	Bočné dvierka výsypky
M-2	Nastavenie ovládacieho kolieska
M-3	Nastavenie otvoru
M-4	Bočná výsypka
M-5	Otočný čap

POZNÁMKA: Mulčovací vložka musí byť nainštalovaná, aj keď je pripojený bočný výstupný žlab.

NASTAVENIE VÝŠKY KOSENIA (obr. N)

VAROVANIE: Dbajte na to, aby boli vaše nohy v bezpečnej vzdialenosti od spodnej časti kosačky pri nastavovaní jej výšky. Kosačku je možné nastaviť na 6 výšok kosenia v rozmedzí od 25 mm do 95 mm. Vyberte si správnu výšku kosenia podľa typu a stavu trávy.

UPOZORNENIE: Pri presune stroja sa uistite, že výška kosenia je nastavená na polohu 3 a vyššie. Ak tak neurobíte, môže dôjsť k poškodeniu noža.

NASADENIE / ODPOJENIE AKUMULÁTORA (obr. O)

Používajte iba s akumulátormi a nabíjačkami, ktoré sú uvedené na obr. A.

PRED PRVÝM POUŽITÍM HO NABITE.

VAROVANIE: Ak je niektorý diel pokazený alebo chýba, nepokúšajte sa akumulátor pripojiť do kosačky alebo s kosačkou pracovať, až kým sa pokazený alebo chýbajúci diel nevymení. Ak tak neurobíte, môže dôjsť k vážnemu zraneniu.

■ Nasadenie

Zatlačte akumulátor do priestoru pre batériu, až kým nezačujete "cvaknutie".

■ Odpojenie

Stlačte tlačidlo na uvoľnenie batérie v priestore na batériu.

Obr. O pozri nižšie popis dielov:

O-1	Otvor na bezpečnostný kľúč
O-2	Bezpečnostný kľúč
O-3	Tlačidlo na uvoľnenie batérie

UPOZORNENIE: Pred použitím sa uistite, že západka na kosačke zapadla na svoje miesto a že akumulátor je pripojený ku kosačke.

SPUSTENIE / ZASTAVENIE KOSAČKY

VAROVANIE: Používanie akejkoľvek kosačky môže spôsobiť vymrštenie cudzích predmetov do očí, čo môže mať za následok vážne poškodenie zraku. Počas prevádzky, nastavovania alebo opravy kosačky vždy používajte ochranné okuliare.

VAROVANIE: Počas používania kosačky zabezpečte, aby osoby a domáce zvieratá zostali vo vzdialenosti aspoň 30m.

VAROVANIE: Nôž sa bude aj po vypnutí kosačky počas niekoľkých sekúnd naďalej točiť. Pred opätovným spustením nechajte motor/nôž úplne zastaviť. Nezapínajte a nevypínajte kosačku v rýchlom slede za sebou.

SK

BEZPEČNOSTNÝ KLÍČ

Aby sa zabránilo náhodnému naštartovaniu alebo neoprávnenému použitiu bezdrôtovej kosačky, do konštrukcie kosačky bol začlenený odnímateľný bezpečnostný kľúč. Kosačku nemôžete používať po vytiahnutí bezpečnostného kľúča.

⚠ NEBEZPEČENSTVO: Rotujúce nože môžu spôsobiť vážne zranenie. Vytiahnite bezpečnostný kľúč, ak je kosačka bez dozoru, pri nastavovaní, čistení, údržbe, doprave, zdvíhaní alebo skladovaní kosačky, aby sa predišli vážnemu zraneniu.

POZNÁMKA: Motor nie je možné spustiť, ak:

- Je rukoväť je blokováná v jednej z prevádzkových polôh.
- Bočné lišty sú plne vysunuté (obr. P).
- Obe zelené svorky na blokovanie rukoväte sú pevne zatvorené (obr. Q).

Q-1 indikácia linka

⚠ VÝSTRAHA: Nepokúšajte sa o anulovanie funkcie bezpečnostného tlačidla a kyvného prepínača.

Spustenie

- 1) Pripojte akumulátor ku kosačke, vložte bezpečnostný kľúč do otvoru a zatvorte kryt akumulátora (obr. O).
- 2) Podľa obr. R stlačte bezpečnostné tlačidlo.
- 3) Pri stlačení prepínača vytiahnite pákový spínač smerom hore k rukoväti a uvoľnite bezpečnostné tlačidlo (Obr. S).

Zastavenie

- 1) Uvoľnite kyvný prepínač.
- 2) Elektrická brzda automatického brzdného mechanizmu zastaví otáčanie noža do 3 sekúnd po uvoľnení kyvného prepínača.

SAMOHYBNÝ SYSTÉM S PREMENLIVOU RÝCHLOSŤOU

Kosačka LM2020E-SP je vybavená samohybnou schopnosťou s premenlivou rýchlosťou. Tento systém je nezávislý na vypínači noža ON-OFF; nie je závislý na rotácii noža.

Ak chcete používať systém bez rotácie noža, zatiahnite samohybný spúšťač k rukoväti.

Pre vypnutie samohybný spúšťač uvoľníte.

Systém má premenlivú rýchlosť. Ak chcete rýchlosť zvýšiť, posuňte ovládacia páku rýchlosti samohybného systému dopredu. Ak chcete rýchlosť znížiť, posuňte ovládacia páku rýchlosti samohybného systému dozadu (obr. T).

Používanie otáčajúceho sa noža na kosenie:

1. Zapnite kosačku.
2. Zatiaľ čo držíte pákový spínač oproti rukoväti s ľavou rukou, vytiahnite spúšťač vlastného pohonu na rukoväti s vašou pravou rukou.
3. Uchopte pákový spínač a spúšťač vlastného pohonu súčasne oproti rukoväti s pravou rukou a ľavú ruku použite na nastavenie páčky rýchlosti vlastného pohonu a zvolte správnu rýchlosť.

⚠ VAROVANIE: Ak chcete znížiť riziko zranenia, nikdy sa nepokúšajte anulovať funkciu prepínača alebo samohybného systému. Používajte samohybný pohon iba na daný účel.

LED PRACOVNÉ SVETLÁ NA KOSAČKE (obr. A-13)

Stlačte tlačidlo vypínača (obr. C-22) na zapnutie/vypnutie LED pracovných svetiel v prednej časti priestoru na batériu.

INDIKÁTOR NAPÁJANIA NA KOSAČKE (obr. U)

Kosačka je vybavená indikátorom napájania, ktorý ukazuje stav nabitia akumulátora a prevádzkový stav kosačky. Indikátor napájania sa rozsvieti, keď sa nôž otáča alebo keď sú zapnuté LED pracovné svetlá.

Indikátor napájania na kosačke	Význam	Činnosť
Svietiaci zelený	Kosačka funguje správne; batéria je nabitá na minimálne 15%	Neuvádza sa
Svietiaci červený	Slabá batéria	Zastavte kosačku a nabite akumulátor
Blikajúci červený	Batéria je takmer vybitá	Zastavte kosačku a nabite akumulátor
Svietiaci oranžový	Kosačka alebo akumulátor je prehriaty	Vyberte batériu z kosačky, presuňte ich do tieňa a nechajte vychladnúť aspoň 15 minút
Blikajúci oranžový	Kosačka je preťažená	Spomaľte tempo, alebo zvýšte výšku kosenia, aby ste znížili záťaž

OCHRANA PROTI PREŤAŽENIU KOSAČKY

Aby nedošlo k poškodeniu v dôsledku stavu preťaženia, snažte sa nekosiť príliš veľa trávy naraz. Spomaľte tempo kosenia alebo zvýšte výšku kosenia.

Kosačka má vstavanú ochranu proti preťaženiu obvodu. Keď je kosačka preťažená, motor sa zastaví a indikátor napájania na kosačke bude blikať na oranžovo. Vyberte akumulátor z kosačky. Skontrolujte, či sa na spodnej strane kosačky nenahromadila tráva a v prípade potreby ju odstráňte. Potom nasadte batériu a kosačku znovu zapnite.

VYSOKOTEPELNÁ OCHRANA BATÉRIE

Akumulátor bude počas prevádzky tvoriť teplo. Teplo sa rozptyľuje pomalšie v horúcom počasí. Ak počas používania teplota batérie prekročí 70 °C, ochranný obvod okamžite vypne kosačku, aby ochránil akumulátor pred poškodením. Indikátor napájania na kosačke bude svietiť na oranžovo. Uvoľnite rukoväť, počkajte, až sa batéria ochladí na približne 67 °C a potom znovu kosačku zapnite.

ÚDRŽBA

VAROVANIE: Ak chcete predísť vážnemu poraneniu osôb, pred čistením alebo vykonávaním údržby vždy vyťahnite bezpečnostný kľúč a akumulátor z kosačky.

VAROVANIE: Pri údržbe používajte iba identické náhradné diely. Použitie iných dielov môže byť nebezpečné a môže spôsobiť poškodenie výrobku. Pre zaistenie bezpečnosti a spoľahlivosti by mal všetky opravy a výmeny vykonávať len kvalifikovaný servisný technik.

ČISTENIE KOSAČKY

VAROVANIE: Pri údržbe alebo preprave kosačky vždy vyťahnite bezpečnostný kľúč a akumulátor.

Spodnú časť konštrukcie kosačky je potrebné čistiť po každom použití, aby ste zabránili hromadeniu pokosenej trávy, lístia, hliny a iných nečistôt. Hromadenie je nežiaduce, pretože spôsobí hrdzavenie kovových častí a zníži reznú účinnosť kosačky.

Odstáňte všetku nahromadenú trávu a lístie na hnacom hriadeľi alebo okolo neho (iba typ LM2020E-SP) a z ventilátora motora (nepoužívajte vodu). Utrite kosačku dočista vlhkou handričkou.

ODSTRÁNENIE/NASADENIE NOŽA

VAROVANIE: Pri vykonávaní údržby noža kosačky vždy noste pevné rukavice alebo zabaľte rezné hrany do handier alebo iných materiálov, aby ste si chránili ruky.

■ Odstránenie noža (obr. W).

UPOZORNENIE: V prípade, že sa skrutka otáča s hriadeľom motora, pri uvoľňovaní skrutky otočte ručne vrtuľu s cieľom dať do jednej línie otvory vo vrtuli s otvormi v noži a umiestnite do vycentrovaných otvorov ďalšiu kovovú tyč

■ Nasadenie noža

V nadväznosti na montážny postup z obr. V, kedy vrtuľa s nožom smeruje k spodnej časti a vydutá strana noža smerom von, nastavte otvory vrtule do roviny s otvormi v noži (obr. X) a potom utiahnite nôž podľa obr. X.

Obr. V & W pozri nižšie popis dielov:

V-1	Vrtuľa	V-5	Skrutka
V-2	Vnúťorná príruha	W-1	Stabilizátor 1
V-3	Nôž	W-2	Stabilizátor 2
V-4	Vonkajšia príruha	W-3	14 mm francúzsky kľúč

UPOZORNENIE: Odporúčaný krútiaci moment pre utiahnutie skrutky noža je 49-59Nm.

SKLADOVANIE KOSAČKY

- Vyberte akumulátor z kosačky a uložte ho na chladnom, suchom a čistom mieste. Neskladujte ho v blízkosti korozívnych materiálov, ako sú hnojivá alebo kamenná soľ.
- Skladujte kosačku v zastrešenom, uzavretom, chladnom a suchom priestore, mimo dosahu detí.
- Nezakrývajte kosačku pevnou plastovou fóliou. Plastové obaly zachytávajú vlhkosť okolo kosačky, čo spôsobuje hrdzavenie.
- Kosačka môže byť uložená vzpriamene alebo ležato (pozri obr. Z).

SK

VAROVANIE: Ak sa kosačka začne preklápať zo zvislej polohy, môže dôjsť k jej poškodeniu či zraneniu osôb. Dávajte pozor na to, aby bola kosačka stabilná a mimo dosahu detí, ak je vo zvislej polohe. Pokiaľ je to možné, skladujte ju na ležato.

Ochrana životného prostredia



Nevyhadzujte elektrické zariadenie, nabíjačku batérií a batérie/nabíjateľné batérie do komunálneho odpadu!

Podľa Zákona EÚ 2012/19/EÚ a Zákona EÚ 2006/66/EC sa elektrické a elektronické zariadenia, ktoré sa už nedajú používať, a chybné alebo použité akumulátory/batérie musia zberať oddelene.

Ak sa elektrické spotrebiče vyhodia na skládku alebo smetisko, môžu nebezpečné látky unikať do podzemných vôd a dostať sa do potravinového reťazca, čo spôsobuje poškodenie zdravia.

SK

RIEŠENIE PROBLÉMOV

⚠ VAROVANIE: Pri údržbe alebo preprave kosačky vždy vyťahnite bezpečnostný kľúč a akumulátor. Pri vykonávaní údržby noža kosačky vždy noste pevné rukavice alebo zabalte rezné hrany do handier alebo iných materiálov, aby ste si chránili ruky.

PROBLÉM	PRÍČINA	RIEŠENIE
Kosačka sa nedá zapnúť	<ul style="list-style-type: none"> ■ Akumulátor je vybitý. ■ Akumulátor nie je pripojený na správnom mieste v priestore pre batérie. ■ Obvody batérie alebo kosačky sú príliš horúce. (Indikátor napájania na kosačke bude svietiť na oranžovo po dobu 10 sekúnd) ■ Bočné lišty nie sú rozťahnuté na maximálnu dĺžku a svorky nie sú zatvorené v správnej polohe. ■ Rukoväť nie je nastavená na jednu z dvoch prevádzkových polôh. ■ Spodná časť kosačky je upchatá trávou a nečistotami. 	<ul style="list-style-type: none"> ■ Nabite akumulátor. ■ Pripojte akumulátor do kosačky, zatlačte ho, kým nezačujete cvaknutie. ■ Nechajte batériu alebo kosačku vychladnúť, až kým teplota neklesne pod 67°C. ■ Úplne natiahnite rukoväť a zatvorte obe svorky. ■ Nastavte rukoväť do jednej z dvoch prevádzkových polôh. ■ Vyčistite spodnú časť kosačky a uistite sa, že nôž sa voľne pohybuje.
Kosačka kosí nerovnomerne	<ul style="list-style-type: none"> ■ Nôž je tupý. ■ Výška kosenia nie je správne nastavená. ■ Nôž nie je správne nasadený. 	<ul style="list-style-type: none"> ■ Naostrite alebo vymeňte nôž. ■ Zdvihnite spodnú časť na nastavenie vyššej výšky kosenia. ■ Znovu nasadte nôž podľa časti „NASADENIE NOŽA“ tohto návodu.
Kosačka sa pri kosení zastavuje	<ul style="list-style-type: none"> ■ Akumulátor je vybitý. ■ Kosačka je preťažená. ■ Spodná časť kosačky je upchatá trávou a nečistotami. ■ Obvody batérie alebo kosačky sú príliš horúce. (Indikátor napájania na kosačke bude svietiť na oranžovo po dobu 10 sekúnd.) ■ Bočná lišta sa pri tlaku na rukoväť trochu sťahne. 	<ul style="list-style-type: none"> ■ Зарядите батарею. ■ Увеличьте высоту среза или снизьте скорость работы. ■ Очистите платформу газонокосилки. Увеличьте высоту среза или скашивайте более узкую полосу травы. ■ Подождите, пока батарея или газонокосилка не остынут до 67°C. ■ Ослабьте фиксаторы. Вытяните боковые направляющие до конца и снова зафиксируйте их.

SK

PROBLÉM	PRÍČINA	RIEŠENIE
Kosačka nedostatočne mulčuje	<ul style="list-style-type: none"> ■ Mokrý odrezky trávy sú prilepené na spodnej časti kosačky. ■ Kosačka je nastavená na kosenie príliš veľkého množstva trávy naraz. 	<ul style="list-style-type: none"> ■ Pred kosením nechajte trávu vyschnúť. ■ Zdvihnite spodnú časť na nastavenie vyššej výšky kosenia.
Stroj nadmerne vibruje	<ul style="list-style-type: none"> ■ Rezný nôž je uvoľnený. ■ Rezný nôž je nevyvážený. ■ Kutterbladet er bøyd. ■ Hriadel' motora je ohnutý. 	<ul style="list-style-type: none"> ■ Utiahnite skrutku noža. ■ Vyvážte nôž podľa návodu. ■ Vymeňte nôž. ■ Kontaktuje servisné stredisko.
Uzatvárateľné svorky rukoväte sa nedajú zatvoriť v danej polohe.	<ul style="list-style-type: none"> ■ Bočné lišty nie sú úplne vysunuté. 	<ul style="list-style-type: none"> ■ Úplne vysuňte bočné lišty, potom zatvorte svorky.

ZÁRUKA

ZÁRUČNÁ POLITIKA EGO

Navštívte webové stránky egopowerplus.com pre úplné podmienky záručnej politiky spoločnosti EGO.

SK

OLVASSA EL AZ ÖSSZES UTASÍTÁST!



OLVASSA EL A HASZNÁLATI ÚTMUTATÓT

FIGYELMEZTETÉS: A biztonságosság és megbízhatóság biztosítása érdekében minden javítást szakképzett szerviztechnikus hajtson végre.

Rendeltetésszerű használat és előrelátható helytelen használat: A termék kizárólag otthon, kertben fű nyírására alkalmas. Nem szabad magas, száraz vagy nedves fűvet nyírni, pl. legelőn, és levelek aprítására használni. A terméket csak az előírt célokra használja. Bármilyen más használat helytelen használatnak minősül.

BIZTONSÁGI SZIMBÓLUMOK

A biztonsági szimbólumok célja, hogy felhívják a figyelmet az esetleges veszélyekre. Nagyon figyeljen a biztonsági szimbólumokra és magyarázatokra, ill. ezek megértésére. A szimbólumok figyelmeztetései önmagukban nem hárítják el a veszélyeket. Az utasítások és figyelmeztetések nem helyettesítik a megfelelő balesetmegelőző intézkedéseket.

FIGYELMEZTETÉS: A szerszám használata előtt feltétlenül olvassa el a jelen használati útmutató minden biztonsági utasítását, a „VESZÉLY”, „FIGYELMEZTETÉS” és „FIGYELEM” biztonsági szimbólumokat is. Az alább felsorolt utasítások be nem tartása áramütést, tűzveszélyt és/vagy súlyos személyi sérülést idézhet elő.

SZIMBÓLUM JELENTÉSE

BIZTONSÁGI SZIMBÓLUM: VESZÉLYT vagy **FIGYELMEZTETÉST** jelöl. Más szimbólumokkal vagy rajzokkal együtt használható.



FIGYELMEZTETÉS: Bármely elektromos kéziszerszám működtetése azzal járhat, hogy idegen tárgyak kerülhetnek a szembe, ami súlyos szemsérüléseket okozhat. Az elektromos kéziszerszám működtetése előtt mindig vegyen fel oldalsó védőlemezzel ellátott védőszemüveget és a teljes védőálarcot, ha szükséges. Javasoljuk, hogy viseljen Wide Vision Safety Mask-ot (védőálarc) a védőszemüveg fölött vagy standard védőszemüveget oldalsó védőlemezzel.

BIZTONSÁGI UTASÍTÁSOK

Ezen az oldalon olyan biztonsági szimbólumok láthatók és olvashatók, amelyek megjelenhetnek a terméken. Az összeszerelés vagy működtetés előtt olvassa el, értse meg és tartsa be a gép minden utasítását.

	Biztonsági figyelmeztetés	Az Ön biztonságát érintő óvintézkedések.
	Olvassa el a használati útmutatót	A sérülések kockázatának csökkentése érdekében a használatnak a termék használata előtt el kell olvasnia, és meg kell értenie a használati útmutatót.
	Legyen óvatos az éles pengékkel.	A kések a motor leállítása után is forognak – karbantartás előtt távolítsa el az üzemen kívül helyezett készüléket. Beállítás vagy tisztítás előtt kapcsolja ki, és vegye ki a kivehető akkumulátoregységet (vagy üzemen kívül helyezett készüléket).
	Tartsa távol a nézelődőket	Ügyeljen arra, hogy más személyek és a háziállatok legalább 30 m távolságban legyenek a fűnyíró használat közben.
	Tartsa távol a lábat és a kézzel	Tartsa távol a lábat és a kézzel
	CE	A termék megfelel az érvényes EK irányelveknek.
	UKCA	Ez a termék megfelel az alkalmazandó brit jogszabályoknak.
	WEEE	Az elhasznált elektromos termékek nem helyezhetők a háztartási hulladék közé. Vigye hivatalos újrahasznosító telephelyre.
	Zaj	Garantált hangteljesítményszint. Környezetre ható zajkibocsátás a Európai Közösség irányelve szerint.
	IP szimbólum	Víz behatolása elleni védelmi szint: 4.
	volt	Feszültség
	amper	Aktuális
	hertz	Frekvencia (ciklusok másodpercenként)
	watt	Teljesítmény

HU

min	perc	Idő
	Váltakozó áram	Áram típusa
	Egyenáram	Áram típusa vagy jellemzői
n_0	Üresjárat fordulatszám	Forgási sebesség üresjáraton
.../min	Percenként	Fordulat percenként

AZ ELEKTROMOS SZERSZÁMOKRA VONATKOZÓ ÁLTALÁNOS BIZTONSÁGI FIGYELMEZTETÉSEK

▲ FIGYELMEZTETÉS: OLVASSA EL AZ ELEKTROMOS KÉZISZERSZÁMHOZ MELLÉKELT ÖSSZES BIZTONSÁGI FIGYELMEZTETÉST, UTASÍTÁST, ÁBRÁT ÉS SPECIFIKÁCIÓT. Az alább felsorolt utasítások be nem tartása áramütést, tűzveszélyt és/vagy súlyos sérülést idézhet elő.

ŐRIZZEN MEG MINDEN FIGYELMEZTETÉST ÉS UTASÍTÁST, HOGY KÉSŐBB IS ELŐ TUDJA MAJD VENNII.

HU

Az „elektromos kéziszerszám” megnevezés a figyelmeztetéseken egyaránt vonatkozik a hálózati feszültségről meghajtott elektromos kéziszerszámokra (hálózati vezetékkel rendelkező elektromos kéziszerszámok), valamint az akkumulátorral működtetett elektromos kéziszerszámokra (hálózati vezeték nélküli elektromos kéziszerszámok).

MUNKATERÜLET BIZTONSÁG

- **A munkaterület legyen tiszta és jól megvilágított.** A munkahelyen uralkodó rendetlenségnek vagy a rossz megvilágításnak baleset lehet a következménye.
- **Ne használjon elektromos szerszámokat robbanásveszélynek kitett környezetben, például olyan helyen, ahol éghető folyadékok, gázok vagy porok találhatóak.** Az elektromos kéziszerszámok szikrákat képeznek, amelyek meggyújthatják a porokat vagy gázokat.
- **Tartsa távol a gyermekeket és az illetéktelen személyeket, amikor elektromos kéziszerszámmal dolgozik.** Ha megzavarják, elveszítheti uralmát a készülék felett.

■ ELEKTROMOS BIZTONSÁG

- **Az elektromos kéziszerszám hálózati csatlakozódugójának illeszkednie kell az elektromos aljzathoz. Soha és semmiképpen se módosítsa a csatlakozódugót. Ne használjon adapteres csatlakozódugókat a földelt elektromos kéziszerszámokhoz.** Az eredeti csatlakozódugó és megfelelő hálózati aljzat alkalmazásával megelőzi az áramütés veszélyét.
- **Ne érjen földelt felületekhez, ilyenek pl. a csövek, fűtőtestek, tűzhelyek vagy hűtőszekrények.** Az áramütés kockázata nagyobb, ha a teste le van földelve.
- **Ne tegye ki az elektromos kéziszerszámot esőnek vagy nedves környezetnek.** Az elektromos kéziszerszámba bekerülő víz megnöveli az áramütés kockázatát.
- **Ne használja a kábelt helytelen módon. Soha ne használja a kábelt az elektromos kéziszerszám hordozására, húzására vagy lecsatlakoztatására. Tartsa távol a vezetékét hőtől, olajtól, éles szegélyektől és mozgó alkatrészekről.** A sérült vagy összegabalyodott hálózati kábelek megnövelik az áramütés veszélyét.
- **Az elektromos szerszám szabadtéri üzemeltetéséhez használjon szabadtéren használható hosszabbító kábelt.** A szabadtéren használható kábel alkalmazása csökkenti az áramütés kockázatát.
- **Ha elkerülhetetlen az elektromos kéziszerszám használata nedves helyen, használjon földzárlat-megszakítóval (RCD) ellátott tápellátást.** Az RCD használata csökkenti az áramütés veszélyét.

SZEMÉLYI BIZTONSÁG

- **Legyen figyelmes, ügyeljen arra, amit csinál, és józan ésszel fogjon a munkához, ha elektromos kéziszerszámot használ.** Ne használjon elektromos kéziszerszámot, ha fáradt, kábítószert, alkoholt vagy gyógyszer befolyása alatt áll. Az elektromos kéziszerszám üzemeltetése közben egy pillanatnyi figyelmetlenség is súlyos személyi sérülést okozhat.
- **Használjon személyi védőfelszerelést. Mindig viseljen védőszemüveget.** A védőfelszerelések, mint például porvédő maszk, csúszásmentes lábbeli, sisak és hallásvédő, rendeltetészerű használata révén elkerüli a sérülési veszélyeket.
- **Akadályozza meg a véletlen indítást. Ügyeljen arra, hogy a kapcsoló kikapcsolt állásban legyen, mielőtt az áramforráshoz és/vagy az akku egységhez csatlakoztatja, felveszi vagy viszi a szerszámot.** Balesetekre vezethet, ha a hálózatra csatlakoztatott

szerszámot úgy viszi, hogy közben az uja a bekapcsoló gombon van, vagy ha a hálózati csatlakozódugót olyankor dugja be az aljzatba, amikor be van kapcsolva a szerszám.

- **Vegye ki a szerszámkulcsot és a beállító szerszámot, mielőtt az elektromos kéziszerszámot bekapcsolná.** Az elektromos szerszám mozgó alkatrészén felejtett csavar kulcs vagy eszköz személyi sérülést okozhat.
- **Ne hajoljon a gép fölé. Vegyen fel stabil testhelyzetet, és mindig tartsa meg az egyensúlyát.** Ezáltal jobban tudja irányítani az elektromos kéziszerszámot a legváratlanabb helyzetben is.
- **Viseljen megfelelő ruházatot. Ne hordjon laza, bő ruhát, és ne viseljen ékszert. A haj, a ruházat és a kesztyű ne érjen a mozgó részekhez.** A laza ruházatot, az ékszert vagy a hosszú hajat becsíphetik a mozgó alkatrészek.
- **Ha az elektromos kéziszerszámot poreszívó vagy porfelfogó eszközzel szerelik fel, akkor győződjön meg arról, hogy ezek előírászerűen vannak-e csatlakoztatva, és használja őket a rendeltetésüknek megfelelően.** Porgyűjtő használata csökkentheti a porral járó veszélyeket.
- **Ne hagyja, hogy a rendszeres használat során megszerzett tapasztalat miatt önteltté váljon, és emiatt figyelmen kívül hagyja a biztonsági irányelveket.** Egy óvatlan cselekedet a másodperc töredéke alatt súlyos sérülést okozhat.

A KÉZI SZERSZÁMGÉP ÜZEMELTETÉSE ÉS GONDOZÁSA

- **Ne terhelje túl az elektromos kéziszerszámot. A munkájához használja az arra alkalmas elektromos kéziszerszámot.** A megfelelő elektromos kéziszerszámmal jobban és biztonságosabban dolgozhat a megadott teljesítményhatárokon belül.
- **Ne használja az elektromos kéziszerszámot, ha nem lehet a bekapcsoló segítségével be- vagy kikapcsolni.** Az olyan elektromos kéziszerszám, amely nem irányítható a kapcsolóval, veszélyes és javításra szorul.
- **Húzza ki a hálózati csatlakozó dugót az aljzattól, mielőtt beállításokat végezne, tartozékot cserélné vagy az elektromos kéziszerszámot félretenné.** Az ilyen megelőző biztonsági óvintézkedések csökkentik az elektromos kéziszerszám véletlen beindításának kockázatát.
- **A használaton kívüli elektromos kéziszerszámokat gyermekektől távol tartsa, és ne engedje meg, hogy olyan személyek használják az elektromos kéziszerszámot, akik nem ismerik azt, vagy nincsenek tisztában ezekkel a biztonsági**

utasításokkal. Az elektromos szerszámok veszélyt jelentenek a gyakorlatlan felhasználó kezében.

- **Gondosan ápolja az elektromos szerszámot és tartozékait.** Ellenőrizze a mozgó részek beállítását és rögzítését, vizsgáljon meg minden részt, nem sérült-e, és ellenőrizze, nem állnak-e fenn olyan körülmények, amelyek befolyásolhatják az elektromos kéziszerszámok helyes kezelését. **Használat előtt javíttassa meg a sérült elektromos kéziszerszámot.** A rosszul karbantartott elektromos szerszámok sok balesetet okoznak.
- **A vágószerszámok legyenek mindig élesek és tiszták.** A megfelelően karbantartott és kiélezett vágószékekkel rendelkező vágószerszámok kevésbé hajlamosak az elgörbülésre, valamint könnyebben kezelhetők.
- **Az elektromos kéziszerszámot, tartozékot, vágófelleket, stb. mindig ezen biztonsági utasításoknak megfelelően használja, mindig vegye figyelembe a munkakörülményeket, és legyen tekintettel a megmunkálandó munkadarabra.** Az elektromos kéziszerszámoknak az előírt rendeltetéstől eltérő célra való használata veszélyes.
- **Tartsa szárazon, tisztán, olajtól és zsírtól mentesen a fogantyúkat és a tartófelületeket.** A csúszós fogantyúk és a füves felületek nem biztonságos kezeléshez és/vagy a szerszám fölötti uralom elvesztéséhez vezethetnek.

HU

AZ AKKUMULÁTORRAL MŰKÖDŐ SZERSZÁM ÜZEMELTETÉSE ÉS GONDOZÁSA

- **Csak a gyártó által meghatározott töltőt használja.** Az olyan töltő, amely egy típusú akkumulátoregységhez alkalmas, tűzveszélyt okozhat, ha más típusú akkumulátoregységhez használja.
- **Az elektromos kéziszerszámokat csak speciálisan meghatározott akkumulátoregységekkel használja.** Bármely más akkumulátoregység használata sérülés- vagy tűzveszélyt okozhat.
- **Amikor nem használja az akkumulátoregységet, tartsa távol más fémtárgyaktól, például gemkapocs, érmék, kulcsok, tűk, csavarok vagy más kis fémtárgyak, amelyek kapcsolatba léphetnek vele.** Ha rövidre zárodnak az akkumulátorok kapcsolai, ez égési sérülést vagy tüzet okozhat.
- **Nem megfelelő körülmények között folyadék szivároghat az akkumulátorból; ne érjen ehhez. Amennyiben véletlenül hozzáérne, mossa le vízzel. Ha ez a folyadék szembe kerül, forduljon orvoshoz is.** Az akkumulátorból kiszivárgó folyadék irritációt vagy égést okozhat.

- **Ne használjon sérült vagy módosított akkumulátoregységet vagy szerszámot.** A sérült vagy módosított akkumulátorok előre nem látható viselkedést válthatnak ki, amelynek eredménye tűz, robbanás vagy sérülésveszély lehet.
- **Ne tegye ki az akkumulátoregységet tűznek vagy túlzott hőmérsékletnek.** Ha tűznek, vagy 130°C feletti hőmérsékletnek teszi ki, akkor felrobbanhat.
- **Tartsa be a töltési utasításokat, és ne töltse az akkumulátoregységet vagy a szerszámot az utasításokban meghatározott hőmérséklet-tartományon kívül.** A nem megfelelő vagy a meghatározott hőmérséklet-tartományon kívüli töltés megrongálhatja az akkumulátort, és növeli a tűzveszélyt.

SZERVIZ

- **Az elektromos kéziszerszám szervizelését szakképzett szerelő végezze, csak eredeti cserealkatrészek felhasználásával.** Ezzel biztosítja az elektromos kéziszerszám biztonságának fenntartását.
- **Soha ne szervizeljen sérült akkumulátoregységet.** Az akkumulátoregységet csak a gyártó vagy felhatalmazott szerviz szolgáltató szervizelheti.

BIZTONSÁGI SZABÁLYOK A VEZETÉK NÉLKÜLI FŰNYÍRÓHOZ

⚠ VESZÉLY: A gépet arra tervezték, hogy a jelen használati útmutatóban lévő utasításoknak megfelelően működtessék. Ahogy bármilyen másik elektromos készüléknél, a kezelő elővigyázatlanúsága vagy hibája súlyos sérülést okozhat. A gép a kéz, láb és tárgyak sérülését okozhatja. A biztonsági utasítások figyelmen kívül hagyása esetén súlyos vagy halálos sérülést okozhat.

⚠ FIGYELMEZTETÉS: A vezeték nélküli fűnyíró használata közben mindig tartsa be a következő alapvető biztonsági óvintézkedéseket a tűz, áramütés és személyi sérülések kockázatának csökkentése érdekében.

FONTOS

HASZNÁLAT ELŐTT FIGYELMESEN OLVASSA EL. ŐRIZZE MEG KÉSŐBBI HASZNÁLATRA.

BIZTONSÁGI SZABÁLYOK VEZETÉK NÉLKÜLI FŰNYÍRÓHOZ

VIGYÁZAT-NE NYÚLJON A FORGÓ PENGÉKHEZ!

GYAKORLÁS

- Körültekintően olvassa el az utasításokat. Ismerje meg a készülék szabályozását és helyes használatát.

- Ne engedélyezze a készülék használatát gyermekeknek vagy olyan személyeknek, akik nem ismerkedtek meg az utasításokkal. A helyi rendelkezések korlátozásokat tartalmazhatnak a szerszám működtetőjének életkorára vonatkozóan.
- Soha ne nyírjon fűvet, ha emberek, különösen gyermekek, vagy kis állatok vannak a közelben.
- A szerszám működtetője a felelős azokért a balesetekért vagy veszélyekért, amelyek más embereket érintenek vagy mások vagyontárgyait érintik.

ELŐKÉSZÍTÉS

- Fűnyírás közben mindig megfelelő lábbelit és hosszúszerű nadrágot kell viselni.
- Ne használja a készüléket mezítláb vagy nyitott cipőben. Ne viseljen bő ruházatot, vagy amelyen szalagok vagy zsinórok lógnak.
- Alaposan vizsgálja meg a területet, ahol a készüléket használni fogja és távolítsa el minden követ, botot, vezetékét, csontot és minden más idegen tárgyat.
- Használat előtt mindig ellenőrizze szemrevételezéssel, hogy a pengék és penge csavarok nem kopottak-e el vagy nem sérültek-e meg. Készletek formájában cserélje a kopott pengéket és csavarokat az egységűl fenntartása érdekében. A sérült vagy olvashatatlan címkéket cserélje ki.

MŰKÖDTETÉS

- Csak nappali világosságnál vagy megfelelő mesterséges megvilágítás mellett nyírjon fűvet.
- Ha lehetséges, kerülje a készülék használatát nedves fűben.
- Ha lejtős terepen van, mindig ügyeljen rá, hova lép.
- Sétáljon, soha ne fusson.
- Kerekes fűnyírók esetén lejtőkön mindig keresztirányba nyírja a fűvet, soha ne fel és le.
- Legyen különösen elővigyázatos, amikor irányt vált a lejtőn.
- Ne használja a fűnyírót túlságosan meredek lejtőkön.
- Legyen rendkívül óvatos, ha megfordítja vagy önmaga felé húzza a fűnyírót.
- Állítsa le a pengé(ke)t, ha a készüléket meg kell dönteni szállításhoz, mert nem füves területen kell füves területre átvinni, vagy onnan visszahozni.
- Soha ne használja a készüléket hibás pajzsokkal vagy biztonsági egységek nélkül, például ha a kidobó és/vagy a fűgyűjtő rész nincs a helyén.
- Kapcsolja be a motort az utasítások szerint, és megfelelő távolságban állva a pengé(k)től.

- Bekapcsolás közben ne döntse meg a készüléket, kivéve, ha a készüléket csak így tudja elindítani. Ebben az esetben, ne döntse meg jobban, mint amennyire szükséges, és csak a felhasználótól távolabb lévő részt emelje meg. Mindig győződjön meg róla, hogy a két keze a használói helyzetben vannak, mielőtt visszatérne a géphez. Ne indítsa be a gépet, ha a fűgyújtó nyílás előtt áll.
- Ne tegye kezét vagy lábfejét a forgó alkatrészek alá. A fűnyírón mindig tartsa tisztán a fűgyújtó nyílásokat.
- Bekapcsolt állapotban soha ne emelje fel vagy cipelje a készüléket.
- Kapcsolja ki, és távolítsa el a kivethető akkumulátoregységet (vagy üzemen kívül helyezett készüléket), és ellenőrizze, hogy minden mozgó alkatrész teljesen leállt-e beállítás vagy tisztítás előtt:
 - Amikor otthagyja a gépet;
 - Az elakadás ellenőrzése és a belső tisztítás előtt;
 - Mielőtt ellenőrzi, tisztítja vagy bármilyen más munkát végez a készüléken;
 - Ha idegen tárgyba akadt. Ellenőrizze meg, hogy a készülék nem sérült-e és végezze el a szükséges javításokat.
- Ha a készülék rendellenesen remegni kezd (azonnal ellenőrizze);
 - Ellenőrizze a sérüléseket;
 - Cserélje ki, vagy javítsa meg a sérült alkatrészeket;
 - Ellenőrizze a laza alkatrészeket, hogy meg kell-e őket húzni.

KARBANTARTÁS ÉS TÁROLÁS

- Legyen óvatos a készülék beállításánál, hogy megelőzze az ujjai mozgó kések vagy rögzített részek közé szorulását.
- Az összes csavar, alátét és hasonló rész legyen jól meghúzva, hogy a gép biztonságos munkaalapban legyen.
- Gyakran ellenőrizze a fűgyújtót, nem kopott vagy sérült-e még.
- Biztonsági okokból cserélje ki az elkopott vagy megsérült alkatrészeket.
- A tisztítást és karbantartást gyermekek csak felügyelet alatt végezhetik.
- A kések szervizelésénél vegye figyelembe, hogy bár a gép lekapcsolt állapotban van, a kés még mozoghat.
- Ellenőrizze, hogy csak a megfelelő típusú csere pengét használja a fűnyíróhoz.

SZEMÉLYI BIZTONSÁG

Tragikus balesetek történhetnek, ha a kezelő nem ügyel arra, hogy gyermekek is jelen vannak. A gyermekek gyakran érdeklődnek a fűnyíró és a fűnyírás iránt. Ők még

nem fogják fel a veszélyeket. Soha ne feltételezze, hogy a gyermekek ott maradnak, ahol utoljára látta őket.

- Tartsa távol a gyermekeket a fűnyírás területétől, és legyenek olyan felelős felnőtt felügyelete alatt, aki nem a kezelő.
- Legyen körültekintő, és kapcsolja ki a fűnyírót, ha gyermek lép a területre.
- Legyen rendkívül óvatos, amikor beláthatatlan kanyarhoz, kapuhoz, sövényekhez, fákhöz vagy más olyan tárgyakhoz közelít, amelyek miatt nem látja, ha egy gyermek a fűnyíró felé szalad.
- A gyerekeket szemmel kell tartani, hogy ne játsszanak a fűnyíróval.
- Mindig kapcsolja ki a fűnyírót, amikor kivesszi az akkumulátoregységet a szerszámból. Állítsa le a pengé(ke)t, ha a készüléket meg kell dönteni szállításhoz, mert nem füves területen kell füves területre átvinni, vagy onnan visszahozni.

ÜZEMELTETÉS

ÁLTALÁNOS MŰKÖDTETÉS:

- Alaposan olvassa el a használati útmutatót, mielőtt megpróbálja összeszerelni a gépet. Összeszerelés előtt olvassa el, értse meg és tartsa be a gépen és a használati útmutatóban lévő minden utasítást. Működtetés előtt ismerje meg a gép vezérlését és megfelelő használatát. Biztonságos helyen őrizze a használati útmutatót, és rendszeresen nézze meg, ill. ez alapján rendeljen cserealkatrészeket.
- Megfelelő készülék használata – Ne használja a fűnyírót más munkához, csak amire készült.
- Ne hajoljon túl – Vegyen fel stabil testhelyzetet, és mindig tartsa meg az egyensúlyát.
- A fűnyíró pengéjébe beakadó tárgyak súlyos sérüléseket okozhatnak. A fűnyírót minden fűnyírás előtt gondosan vizsgálja át, és tisztítsa meg a tárgyaktól.
- Mielőtt és mialatt hátrafelé nyírja a fűvet, nézzen hátra és lefelé, hogy nincsenek-e ott kisgyermekek vagy más személyek.
- Ez a gép nem játék. Ezért mindig a legnagyobb óvatossággal használja. Az egység egy munkához készült: ez a fűnyírás. Ne használja más célra.
- Ne erőltesse a fűnyírót – jobban és biztonságosabban dolgozhat a megadott teljesítményhatárokon belül.
- Használat előtt mindig ellenőrizze szemrevételezéssel, hogy a pengék és penge csavarok nem kopottak-e el vagy nem sérültek-e meg. Az elkopott vagy megsérült pengéket és más alkatrészeket egyszerre cserélje ki az egyensúly megtartása érdekében. A sérült vagy olvashatatlan címkéket cserélje ki.

HU

- Legyen rendkívül óvatos, ha megfordítja vagy önmaga felé húzza a fűnyírót.
- Alaposan vizsgálja meg a területet, ahol a készüléket használni fogja. Távolítsa el minden követ, botot, vezetéket, játékokat és más idegen tárgyakat, amelyekben meg lehet botlani, vagy a penge felveheti, és kilökheti. A kilökődő tárgyak súlyos személyi sérüléseket okozhatnak. Tervezze meg a fűnyírás útvonalát, hogy ne szórjon anyagokat utak, járdák, nézelődők és hasonlók felé. Ne szórjon anyagokat falak vagy akadályok felé sem, mert az anyagok visszapatlanhatnak a kezelő felé.
- Működtetés közben maradjon a kezelői területen a fogantyúk mögött, hogy ne érjen a pengékhez, és ne sérüljön meg repülő tárgyak miatt, és a gyermekeket, nézelődőket, segítőkét és állatokat tartsa 30 m távol a fűnyírótól. Állítsa le a gépet, ha valaki a területre lép.
- Működtetés, beállítás vagy javítás közben mindig viseljen védőkesztyűt vagy védőszemüveget, hogy védje a szemét. A visszapatlanó tárgyak súlyos sérülést okozhatnak a szemben. Mindig használjon arc- vagy porvédő maszkot, ha a működtetés porral jár.
- Megfelelően öltözzön fel – Ne viseljen laza ruházatot vagy ékszereket. Beakadhatnak a mozgó alkatrészekbe. Amikor kint dolgozik, gumikesztyű és cipő viselése javasolt. Viseljen könnyű, durva talpú munkacipőt, valamint szűk nadrágot és pólót. Javasoljuk, hogy kart és lábat elfedő nadrágot és pólót, ill. acélbetétes cipőt viseljen. Soha ne működtesse a gépet mezítláb, szandálban, csúszós vagy könnyű (pl. vászon) cipőben.
- Ne tegeye a kezét vagy lábát a forgó alkatrészekhez, vagy a vágóegység burkolata alá. Ha a pengéhez ér, megsebesítheti a kezét vagy lábát.
- A hiányzó vagy sérült burkolat miatt hozzáérhet a pengéhez, és a repülő tárgyak miatt megsérülhet.
- Számos sérülés azért történik, mert a kezelő áttolja a fűnyírót a lábán, mert megcsúszott vagy megbotlott. Ha elesik, ne kapaszkodjon a fűnyíróba; azonnal engedje el a fogantyút.
- Menet közben soha ne tolja a fűnyírót maga felé. Amikor vissza kell húznia a fűnyírót faltól vagy akadálytól, akkor mindig nézzen le és hátra, nehogy megbotoljon, és kövesse az alábbi lépéseket:
 - Lépjön hátra a fűnyírótól, és teljesen nyújtsa ki a karját.
 - Legyen kellő egyensúlyban és testhelyzetben.
 - Lassan húzza vissza a fűnyírót, de csak félútig.
 - Ismételje meg ezeket a lépéseket, ha szükséges.
- Ne működtesse a fűnyírót alkohol vagy kábítószer hatása alatt.
- Legyen figyelmes – figyeljen oda arra, amit csinál. Használja a józan eszét. Ne használja a fűnyírót, ha fáradt.
- A motor/penge szabályozó fogantyú biztonsági berendezés. Soha ne próbálja meg áthidalni a működését. Ha ezt teszi, akkor a biztonsági berendezés működésképtelenné válik, és személyi sérülést okozhat, ha a forgó pengéhez ér. A motor/penge szabályozó fogantyúnak mindkét irányban könnyen kell működnie, és automatikusan vissza kell állnia a kioldott állásba, ha elengedi.
- Kerülje a veszélyes környezetet – Ne használja a fűnyírót nedves vagy vizes helyeken.
- Ne használja esőben.
- Mindig ügyeljen rá, hova lép. A megcsúszás vagy elesés súlyos személyi sérülést okozhat. Ha úgy érzi, hogy elveszíti az egyensúlyát, azonnal engedje el a motor/penge szabályozó fogantyút, és a penge forgása leáll három másodpercen belül.
- Állítsa le a pengét, ha kavicsos utakon, járdákon megy keresztül.
- Ha a felszerelés rendellenesen vibrálni kezd, akkor azonnal állítsa le a motort, és ellenőrizze az okot. A vibráció általánosságban problémára figyelmeztet.
 - Ellenőrizze a sérüléseket;
 - Cserélje ki, vagy javítsa meg a cserélhető, sérült alkatrészeket;
 - Ellenőrizze, és húzza meg a laza alkatrészeket.
 - Soha ne működtesse a fűnyírót megfelelően működő és helyén lévő védőlemez, burkolat, fűgyűjtő zsák, talajlefedő betét, oldalsó fűgyűjtő rekesz, motor/penge szabályozó fogantyú vagy más biztonsági védőfelszerelés nélkül. Soha ne működtesse a fűnyírót sérült biztonsági eszközökkel. Amennyiben nem ezt teszi, személyes sérülést szenvedhet.
- Amennyiben olyan helyzet adódik, amely nem szerepel a jelen használati útmutatóban, akkor óvatosan és kellő mérlegeléssel cselekedjen. Forduljon az EGO ügyfélszolgálatához segítségért.
- Az akkumulátoregységet ki kell venni, mielőtt kicselejtezi a készüléket.
- Az akkumulátort biztonságosan kell ártalmatlanítani.

MŰKÖDTETÉS LEJTŐN:

A lejtőkön történik a legtöbb csúszás vagy esés baleset, amely súlyos sérülést okozhat. Ha lejtős terepen van, mindig ügyeljen rá, hova lép. A lejtőkön való működtetés különleges odafigyelést igényel. Ha nehézkesnek tartja a fűnyírást lejtőn, akkor ne csinálja.

Teendő:

- A lejtőkön mindig keresztirányba nyírja a fűvet, soha ne fel és le. Legyen különösen elővigyázatos, amikor irányt vált a lejtőn.
- Ügyeljen a lyukakra, kövekre, rejtett tárgyakra, vagy kiemelkedésre, amely miatt megcsúszhat vagy megbotolhat. A magas fűben lehetnek rejtett akadályok.

Tilos:

- Ne használja a fűnyírót szakadékok, árkok vagy gátak közelében, elveszítheti az egyensúlyát vagy a testhelyzetét.
- Ne használja a fűnyírót 15 foknál nagyobb lejtőkön.
- Ne használja a fűnyírót nedves fűvön. Az instabil testhelyzet miatt megcsúszhat.

SZERVIZ

▲ FIGYELMEZTETÉS: A fűgyűjtő zsák komponensei, a burkolat, az oldalsó fűgyűjtő rekesz, a fedőlemez és védőlemez elkophat és megsérülhet, így a mozgó alkatrészek védtelenek maradnak, vagy tárgyak kerülhetnek bele, amely megnöveli a sérülések kockázatát. A biztonság érdekében rendszeresen ellenőrizze az alkatrészeket, és azonnal cserélje ki a sérült alkatrészeket a jelen útmutatóban felsorolt azonos cserealkatrészekre. Forduljon az EGO ügyfélszolgálathoz, vagy a legközelebbi EGO ügyfélszolgálathoz, a javítást és cserét szakképzett szerviztechnikusnak kell elvégeznie.

- Ha a fűnyíró beépített túlterhelés elleni kapcsolója rendszeresen bekapcsol, akkor forduljon az EGO ügyfélszolgálathoz, vagy a legközelebbi EGO ügyfélszolgálathoz.
- Ne mossa tömlővel a fűnyírót; ne kerüljön víz a motorba és az elektromos csatlakozásokba.
- Vegye ki a kulcsot, és a használaton kívüli fűnyírót beltéren tárolja. Zárt helyen való tárolás előtt hagyja kihűlni a motort. A fűnyírót száraz, magas vagy elzárt helyen, gyermekektől távol tárolja.
- Javításkor használjon azonos, a jelen használati útmutatóban felsorolt pótalkatrészeket. Az olyan alkatrészeket használata, amelyek nem felelnek meg az eredeti felszerelés műszaki adatainak, nem megfelelő teljesítményt eredményeznek, és befolyásolják a biztonságot.

- A fűnyíró szervizelése, tisztítása vagy anyagok eltávolítása előtt vegye ki, vagy húzza ki az akkumulátoregységet.
 - Tartsa be a tartozékok cseréjére vonatkozó utasításokat.
 - Tartsa szárazon, tisztán, olajtól és zsírtól mentesen a fogantyúkat.
 - A tűzveszély csökkentése érdekében tartsa a motor burkolatát fűtől, levelektől és hulladékoktól megtisztítva.
 - Rendszeres időközönként ellenőrizze a penge és a motor alátéteit, hogy megfelelően szorosak-e. Szemrevételezéssel is ellenőrizze a penge sérülését (pl. behajolt, megrepedt és elkopott). A pengét csak azonos, a jelen útmutatóban felsorolt csere pengére cserélje ki.
 - Óvatosan tartsa karban a fűnyírót – tartsa élesen a fűnyíró pengét, és a legjobb és legbiztonságosabb teljesítmény érdekében tisztán. A fűnyíró pengéi élesek, és megvághatják. Tekerje be a pengét, vagy viseljen kesztyűt, és legyen különösen elővigyázatos a szervizelésnél.
 - Soha ne vegye le, és ne módosítsa a biztonsági eszközöket. Rendszeresen ellenőrizze, hogy megfelelően működnek-e. Soha ne csináljon olyasmit, ami zavarhatja a biztonsági berendezés funkcióját, vagy csökkenti a biztonsági berendezés általi védelmet.
 - Mindig állítsa le a motort a kerekek vagy a vágási magasság beállítása előtt.
 - Ha idegen tárgyba akadt, állítsa le a motort, húzza ki a kulcsot, és alaposan nézze át a fűnyírót sérülések szempontjából. A fűnyíró működtetése előtt javítsa ki a sérülést.
 - A biztonsági és utasításokkal ellátott címkéket tartsa karban, és cserélje ki, ha szükséges. Forduljon az EGO ügyfélszolgálathoz, vagy a legközelebbi EGO ügyfélszolgálathoz, a javítást és cserét szakképzett szerviztechnikusnak kell elvégeznie.
- ŐRIZZE MEG EZEKET AZ UTASÍTÁSOKAT.** Időnként olvassa át, és használja, amikor másokat a kéziszerszám használatára tanít be. Ha valakinek kölcsön adja a szerszámot, akkor adja át a használati utasítást is a helytelen használat és lehetséges sérülések elkerülése érdekében.

AZ AKKUMULÁTOR HASZNÁLATA ÉS GONDOZÁSA

- A természetes források megtartása érdekében kérjük, az akkumulátorokat megfelelően ártalmatlanítsa, vagy hasznosítsa újra. A termék lítium-ion akkumulátorokat tartalmaz. A helyi és nemzeti törvények tiltják, hogy a lítium-ion akkumulátorokat normál hulladékok közé dobják. Kérjen tanácsot a helyi újrahasznosító állomástól a lehetséges újrahasznosítási és/vagy

HU

ártalmatlanítási lehetőségekről.

- Ha kivesszi az akkumulátoregységet, hogy újrahajósítsa vagy ártalmatlanítsa, vigye, akkor fedje be az akkumulátoregységet nagy teherbírási ragasztószalaggal. Ne próbálja meg szétszerelni vagy megsemmisíteni az akkumulátoregységet, vagy levenni bármely komponensét. A lítium-ion akkumulátorokat megfelelően kell újrahajósítani, vagy ártalmatlanítani. Soha ne érjen a részeihez fém tárgyakkal és/vagy testrészekkel, mivel az rövidzárlatot okozhat. Gyermekektől tartsa távol. Ezen figyelmeztetések be nem tartása tüzet és/vagy súlyos sérülést okozhat.
- NEM MEGFELELŐ KÖRÜLMÉNYEK KÖZÖTT FOLYADÉK SZIVÁROGHAT AZ AKKUMULÁTORBÓL, NE ÉRJEN EHHEZ. AMENNYIBEN VÉLETLENÜL HOZZÁÉRNE. MOSSA LE VÍZZEL. HA EZ A FOLYADÉK SZEMBE KERÜL, FORDULJON ORVOSHoz IS.** Az akkumulátorból kiszivárgó folyadék irritációt vagy égést okozhat.

MŰSZAKI ADATOK

Modellszám	LM2020E	LM2020E-SP
Önműködő rendszer	Ne	Taip
Feszültség	56 V	56 V
Üresjárati fordulatszám	3000 /min	3000 /min
Vágás magassága	25-95 mm	25-95 mm
Javasolt működési hőmérséklet:	0°C-40°C	0°C-40°C
Javasolt tárolási hőmérséklet:	-20°C-70°C	-20°C-70°C
Vágásmagasság pozíciók	6	6
Burkolat mérete	51 cm	51 cm
Vágásszélesség	50 cm	50 cm
Fügyűjtő zsák térfogata	60 L	60 L
Fünyíró súlya (akkumulátoregység nélkül, talajfedő betét)	24,4 kg	27,2 kg
Penge modell	AB2001	AB2001
Mért hangteljesítményszint L_{WA}	91,5 dB(A) K=1,80 dB(A)	91,0 dB(A) K=1,89 dB(A)
Hangnyomásszint a kezelő fülénél L_{PA} K=3 dB(A)	79,5 dB(A)	79,2 dB(A)

Mért hangteljesítményszint L_{WA} (a 2000/14/EK szerint mérve)	93 dB(A)	93 dB(A)
Vibráció a_h K=1,5 m/s ²	Bal oldali fogantyú	≤2,5 m/s ²
	Jobb oldali fogantyú	≤2,5 m/s ²
Motorfék	IGEN	IGEN

- A névleges rezgési összérték mérése standard bevizsgálási módszerrel történt, és használatával a szerszámok egymással összehasonlíthatók.
- A névleges rezgési érték a kockázat előzetes felméréséhez is felhasználható.

MEGJEGYZÉS: A rezgés kibocsátás az elektromos szerszám aktuális használata közben eltérhet attól a névleges értéktől, amellyel a szerszámot használják: a kezelő védelme érdekében a használaton kesztyűt és hallásvédőt kell használni a működtetés közben.

CSOMAGOLÁS TARTALMA

ALKATRÉSZ NEVE	MENNYISÉG
Fünyíró	1
Fügyűjtő zsák	1
Fügyűjtő zsák keret	1
Talajfedő betét	1
Biztonsági kulcs	1
Használati útmutató	1

LEÍRÁS

ISMERJE MEG A LOMBFÚVÓT (A & B & C & D & E)

- Fogantyú kapcsoló (kapcsolókar)
- Fogantyú
- Biztonsági gomb
- Önműködő trigger
- Fogantyú rögzítő
- Fügyűjtő zsák
- Vágásmagasság beállító kar
- Hátsó kerék
- Oldalsó fügyűjtő rekesz ajtó
- Fünyíró fedél
- LED fejlámpa
- Burkolat
- Elülső kerék
- Akkumulátoregység fedél

- 15 Hátsó fogantyú
- 16 Gyors beállító kar
- 17 Hátsó fűgyújtó ajtó
- 18 Oldalsó állvány
- 19 Önműködő sebességszabályozó kar
- 20 Védőlemez
- 21 Kapcsoló a LED munkalámpához
- 22 Működési jelzőlámpa
- 23 Akkumulátor kioldógomb
- 24 Biztonsági kulcslyuk
- 25 Talajlefedő betét
- 26 Oldalsó fűgyújtó rekesz

MŰKÖDTETÉS

A FŰGYÚJTÓ ZSÁK ÖSSZESZERELÉSE

- 1) Csúsztassa a fűgyújtó zsákat a keretre (F ábra).
- 2) Szerelje a felső kapcsokat a keretre (G ábra), majd kapcsolja össze a két kapcsot.. Az alsó kapcsot tegye fel utoljára.
- 3) A teljesen összeszerelt fűgyújtó zsák a H ábrán látható.

AZ ÖSSZESZUKHATÓ FOGANTYÚ BEÁLLÍTÁSA

▲ FIGYELMEZTETÉS: Ne próbálja meg beindítani a fűnyírót, amíg a fogantyú a két előre beállított működési pozícióban van rögzítve (FELSŐ MŰKÖDÉSI POZÍCIÓ vagy ALSÓ MŰKÖDÉSI POZÍCIÓ).

A fűnyírót kompakt, LEZÁRT TÁROLÁSI POZÍCIÓBAN (I ábra) szállítjuk.

- 1) Nyomja meg, és tartsa lenyomva a gyors beállító kart a fogantyú LEZÁRT TÁROLÁSI POZÍCIÓBÓL való kioldásához.
- 2) Vegye ki a fogantyút az összeszukott pozícióból, majd oldja ki a kart. Finoman fordítsa a fogantyút felfelé, amíg a rögzítőcsap kattánását nem hallja, és nem érzi az H ábrán látható különböző pozíciók egyikében.

Az J ábra alkatrészeinek leírását lásd lent:

J-1	Rögzített tárolási pozíció
J-2	Fűgyújtó zsák csatlakoztatási/levételei pozíció
J-3	Felső működési pozíció
J-4	Középső működési pozíció
J-5	Alsó működési pozíció

FŰGYÚJTÓ ZSÁK/TALAJLEFEDŐ BETÉT CSATLAKOZTATÁSA

▲ FIGYELMEZTETÉS: Soha ne végezzen beállítást a fűnyírón, amíg le nem állította a motort, és amíg ki nem

vette a biztonsági kulcsot, és amíg a penge forgása le nem állt.

MEGJEGYZÉS: Az alkatrészeket a fűnyírás megkezdése előtt csatlakoztassa a fűnyíróra.

■ A fűgyújtó zsák csatlakoztatása/levétele (K ábra)

Állítsa a fogantyút a megfelelő működési pozícióba. Emelje fel a hátsó fűgyújtó rekesz ajtót, és akassza a fűgyújtó zsákat a csapárrudra. A levételhez csak emelje meg a fűgyújtó zsákat, és vegye le a csapárrúdról. Végül oldja ki a hátsó fűgyújtó rekesz ajtót.

MEGJEGYZÉS: Vegye le az előre felszerelt talajlefedő betétet, mielőtt a fűgyújtó zsákat a fűnyíróra csatlakoztatja.

■ A fedőlemez csatlakoztatása/levétele (L ábra)

Emelje fel a hátsó fűgyújtó rekesz ajtót, és helyezze fel a fedőlemezt a fűnyíróra. A levételhez csak húzza ki. Végül oldja ki a hátsó fűgyújtó rekesz ajtót.

■ Az oldalsó fűgyújtó rekesz csatlakoztatása/levétele (M ábra)

Emelje fel az oldalsó fűgyújtó rekesz ajtót. Illesse a fűgyújtó rekesz nyílását a fűgyújtó rekesz ajtó gombjához, és finoman oldja ki az oldalsó fűgyújtó rekesz ajtót, hogy elforduljon a csapárrúd körül, amíg szorosan nem illeszkedik a fűgyújtó rekeszhez. A levételhez emelje meg az oldalsó fűgyújtó rekesz ajtót, emelje le az oldalsó fűgyújtó rekeszt, az ajtó szerelógombjáról.

Az M ábra alkatrészeinek leírását lásd lent:

M-1	Oldalsó fűgyújtó rekesz ajtó
M-2	Szerelógomb
M-3	Szerelőnyílás
M-4	Oldalsó fűgyújtó rekesz mélyedés
M-5	Tengely

MEGJEGYZÉS: A fedőlemezt fel kell helyezni, ha az oldalsó fűgyújtó rekesz fel van helyezve.

VÁGÁSI MAGASSÁG BEÁLLÍTÁSA (N ábra)

▲ FIGYELMEZTETÉS: Tartsa távol a lábát a burkolattól, amikor beállítja a magasságot. A fűnyíró 6 vágásmagasságba állítható 25 mm és 95 mm között. A megfelelő vágásmagasságot a fű típusától és állapotától függően válassza ki.

MEGJEGYZÉS: Amikor mozgatja a szerszámot, gondoskodjon arról, hogy a vágásmagasság 3 vagy magasabb pozícióban legyen. Ellenkező esetben a penge sérülését okozhatja.

AZ AKKUMULÁTOREGYSÉG BEHELYEZÉSE/ KIVÉTELE (O ábra)

Csak az A.ábrán felsorolt akkumulátoregységeket és töltőket használja.

AZ ELSŐ HASZNÁLAT ELŐTT TÖLTSE FEL.

▲ FIGYELMEZTETÉS: Ha bármilyen alkatrészt sérült vagy hiányzik, akkor ne próbálja meg csatlakoztatni az akkumulátoregységet a fűnyírót, és ne működtesse a fűnyírót, amíg a sérült vagy hiányzó alkatrészt ki nem cserélik. Ellenkező esetben súlyos sérülést okozhat.

■ Csatlakoztatás

Tolja az akkumulátoregységet az akkumulátortartó rekeszbe, amíg kattantást nem hall.

■ Kivétel

Nyomja meg az akkumulátor kioldógombot az akkumulátortartó rekeszen.

Az O ábra alkatrészeinek leírását lásd lent:

O-1	Biztonsági kulcslyuk
O-2	Biztonsági kulcs
O-3	Akkumulátor kioldógomb

MEGJEGYZÉS: Ellenőrizze, hogy a zár a fűnyírón a helyére kattant-e, és hogy az akkumulátoregység a fűnyírón rögzítve van-e, mielőtt működtetni kezdené.

A FŰNYÍRÓ INDÍTÁSA/LEÁLLÍTÁSA

▲ FIGYELMEZTETÉS: Bármely fűnyírót működtetése azzal járhat, hogy idegen tárgyak mások szemébe kerülnek, amely súlyos szemsérüléseket okozhat. Mindig viseljen védőszemüveget a fűnyírót működtetése közben, vagy beállítások és javítások végzése közben.

▲ FIGYELMEZTETÉS: Ügyeljen arra, hogy más személyek és a háziállatok legalább 30 m távolságban legyenek a fűnyírót használata közben.

▲ FIGYELMEZTETÉS: A penge még egy kis ideig forog a fűnyírót kikapcsolása után. Hagyja, hogy a motor/penge leálljon, mielőtt újra elindítja. Ne kapcsolgassa gyorsan ki és be a fűnyírót.

BIZTONSÁGI KULCS

A fűnyírót véletlenszerű beindításának vagy jogosulatlan használatának megakadályozása érdekében biztonsági

kulccsal szereltük fel a fűnyírót. A fűnyírót teljesen leáll, ha kihúzza a biztonsági kulcsot a fűnyíróból.

▲ VESZÉLY: A forgó pengék súlyos sérülést okozhatnak. A súlyos sérülések elkerülése érdekében húzza ki a kulcsot, ha a fűnyírót felülete nélkül hagyja, vagy beállítást, tisztítást, szervizelést végez rajta, ill. szállítja, emeli vagy elteszi a fűnyírót.

MEGJEGYZÉS: A motor nem tud elindulni, amíg:

- A fogantyú a három működési pozíció egyikében van rögzítve, lásd AZ ÖSSZECSUKHATÓ FOGANTYÚ BEÁLLÍTÁSA fejezetet.
- Az oldalsó állvány nincs teljesen kihúzva (P ábra).
- A két zöld fogantyú lezáró kapocs nincs biztonságosan lezárva (Q ábra).

Q-1 Indikátort

▲ FIGYELEM: Ne próbálja meg hatástalanítani a biztonsági gomb és fogantyú kapcsolót.

Indítás

- 1) Csatlakoztassa az akkumulátoregységet a fűnyíróhoz, helyezze be a biztonsági kulcsot a kulcsnyílásba, és zárja vissza az akkumulátor fedelét (O ábra).
- 2) Az R ábrának megfelelően nyomja le a biztonsági kulcsot.
- 3) A lenyomott biztonsági gombbal húzza felfelé a fogantyú kapcsolót a fogantyúig, és engedje el a biztonsági kulcsot.

Leállítás

- 1) Teljesen oldja ki a fogantyú kapcsolót.
- 2) Az automatikus fékező mechanizmusban lévő elektromos fék a fogantyú kapcsoló elengedése után 3 másodpercen belül leállítja a penge forgását.

ÁLLÍTHATÓ SEBESSÉGŰ ÖNMŰKÖDŐ RENDSZER

Az LM2020E-SP fűnyírót állítható sebességű önműködő lehetőséggel van felszerelve. A rendszer független a penge be-ki kapcsolójától; nem függ a penge forgásától.

A rendszer penge forgás nélküli működtetéséhez tolja el az önműködő triggeret.

Az önműködő rendszer kikapcsolásához oldja ki az önműködő triggeret.

A rendszer különböző sebességekkel működik. A sebesség növeléséhez tolja az önműködő sebességszabályozó kart előre. A sebesség csökkentéséhez tolja az önműködő sebességszabályozó kart hátra (T ábra).

A forgó rotorral való működtetés vágáshoz:

1. Indítsa be a fűnyírót.
2. Mialatt a fogantyú kapcsolót a bal kezével a fogantyú felé tartja, húzza az önműködő triggert jobb kézzel a fogantyúhoz.
3. Tartsa a fogantyú kapcsolót és az önműködő triggert egyidejűleg a fogantyúhoz a jobb kezével, és a bal kezével állítsa be az önműködő sebességszabályozó kart a kívánt sebesség kiválasztásához.

▲ FIGYELMEZTETÉS: A sérülések kockázatának csökkentése érdekében soha ne próbálja meg hatástalanítani a kapcsolót vagy az önműködő rendszert. Az önműködő rendszert kizárólag azokra a célokra használja, amelyre tervezték.

LED FEJLÁMPAK (A-13 ábra)

Nyomja meg a kapcsolót (C-22 ábra) az akkumulátortartó rekeszen lévő LED fejlámpa ki/bekapcsolásához.

FŰNYÍRÓ TELJESÍTMÉNYJELZŐ (U ábra)

A fűnyíró teljesítményjelzővel van felszerelve, hogy jelezze az akkumulátoregység töltési státuszát és a fűnyíró működési státuszát. A teljesítményjelző világít, ha a penge forog, vagy ha a LED munkalámpa be van kapcsolva.

Fűnyíró teljesítményjelző	Jelentés	Művelet
Zölden világít	A fűnyíró megfelelően működik; az akkumulátor legalább 15%-os töltéssel rendelkezik	N/A
Pirosan világít	Alacsony akkumulátor töltöttségi szint	Állítsa le a fűnyírót, és töltsse fel az akkumulátoregységet.
Pirosan villog	Az akkumulátor majdnem lemerült	Állítsa le a fűnyírót, és töltsse fel az akkumulátoregységet.
Narancssárgán világít	A fűnyíró vagy az akkumulátoregység túlmelegedett	Vegye ki az akkumulátort a fűnyíróból, vigye árnyékba, és hagyja legalább 15 percig hűlni.

Narancssárgán villog	A fűnyíró túlterhelt	Lassítsa le a lépését, vagy növelje meg a vágásmagasságot a terhelés csökkentéséhez.
----------------------	----------------------	--

FŰNYÍRÓ TÚLTERHELÉS ELLENI VÉDELEM

A túlterhelés elkerülése érdekében ne próbáljon meg egyszerre túl sok fűvet nyírni. Lassabban lépkedjen nyírás közben, vagy növelje a vágás magasságát.

A fűnyíró beépített túlterhelés elleni védelemmel rendelkezik. Ha a fűnyíró túlterhelt, akkor a motor leáll, és a teljesítményjelző narancssárga színben villog. Vegye ki az akkumulátoregységet a fűnyíróból. Ellenőrizze, hogy nem gyűlt-e össze fű a burkolat alatt, és szükség esetén tisztítsa meg, majd helyezze be az akkumulátort, és indítsa el a fűnyírót.

AKKUMULÁTOR TÚLMELEGEDÉS ELLENI VÉDELEM

Az akkumulátoregység működés közben felmelegszik. A meleg forró időben lassabban távozik. Ha az akkumulátor hőmérséklete működés közben eléri a 70°C-ot, a védőáramkör azonnal kikapcsolja a fűnyírót, hogy megvédje az akkumulátoregységet a sérüléstől. A teljesítményjelző narancssárgán világít a fűnyírón, és az akkumulátoron lévő LED narancssárgán villog. Engedje el a fogantyú kapcsolót, várjon, amíg az akkumulátoregység kihűl körülbelül 67°C-ra, majd indítsa újra a fűnyírót.

HU

KARBANTARTÁS

▲ FIGYELMEZTETÉS: A súlyos személyi sérülések elkerülése érdekében a fűnyíró tisztítása, karbantartása vagy szállítása előtt mindig húzza ki a biztonsági kulcsot.

▲ FIGYELMEZTETÉS: Javításkor használjon azonos pótalkatrészeket. Más alkatrészek használata veszélyt okozhat, vagy megrongálhatja a terméket. A biztonságosság és megbízhatóság biztosítása érdekében minden javítást és cserét szakképzett szerviztechnikus hajtson végre.

A FŰNYÍRÓ TISZTÍTÁSA

FIGYELMEZTETÉS: Mindig vegye ki a biztonsági kulcsot és az akkumulátoregységet a fűnyíró szervizelése vagy szállítása közben.

A fűnyíró burkolat alját minden használat után meg kell tisztítani, mivel egyébként a lenyírt fű, levelek, szennyeződések és más hulladékok felgyülemelnek.

Távolítsa el a lerakódott fűvet vagy leveleket a motor burkolatról vagy körülötte (ne használjon vizet). Majd szárítsa meg a fűnyírót egy száraz ruhával.

A PENGE FELHELYEZÉSE/KIVÉTELE

⚠ FIGYELMEZTETÉS: Mindig védje a kezét nagy teherbírású kesztyűvel vagy úgy, hogy a vágóéleket betekeri rongyokba vagy más anyagokba, amikor karbantartást végez a fűnyíró pengéjén. Mindig vegye ki a biztonsági kulcsot és az akkumulátoregységet a fűnyíró szervizelése vagy szállítása közben.

■ A penge levétele(W ábra)

MEGJEGYZÉS: Ha a csavar a motortengellyel együtt forog, amikor meglazítja a csavart, akkor kézzel fordítsa meg a propellert, hogy a penge lyukakat a propeller lyukba tudja illeszteni, és helyezzen másik fém rudat az összeillesztett lyukakba.

■ A penge felhelyezése

Kövesse az összeszerelés sorrendjét a V ábrán, a propeller a föld irányába mutasson, a penge pereme kifelé nézzen, illessze a propeller lyukait a penge lyukaihoz (X ábra), majd húzza meg a pengét az X ábrán látható módon.

A V & W ábra alkatrészeinek leírását lásd lent:

V-1	Stabilizátor 1	V-5	Belső perem
V-2	Stabilizátor 2	W-1	Penge
V-3	14 mm imbuszkulcs	W-2	Külső perem
V-4	Ventilátor	W-3	Csavar

MEGJEGYZÉS: A javasolt forgatónyomaték a penge csavar meghúzásához 49-59 Nm.

A FŰNYÍRÓ TÁROLÁSA

- Vegye ki az akkumulátoregységet a fűnyíróból, és tárolja hűvös, száraz és tiszta helyen. Ne tárolja maró hatású anyagok mellett, pl. műtrágya vagy kősó.
- A fűnyírót fedett, zárt helyen tárolja, amely hűvös és száraz, és gyermekek nem férnek hozzá.
- Ne fedje le a fűnyírót erős műanyag zsákkal. A műanyag burkolatok összegyűjtik a vizet a fűnyíró körül, amely rozsdásodást okoz.
- A fűnyírót függőlegesen vagy fektetve tárolja (Z ábra).

⚠ FIGYELMEZTETÉS: Ha a fűnyíró elkezd dőlni függőleges helyzetből, akkor a fűnyíró megrongálódhat, vagy személyi sérülést okozhat. Mindig tartsa stabilan a fűnyírót, és gyermekektől elzárva, ha függőleges helyzetben van. Ha lehetséges, laposan tárolja.

A környezet védelme



Ne dobja az elektromos felszerelést, az akkumulátor töltőt és az akkumulátorokat/újratölthető akkumulátorokat a háztartási hulladékok közé!

Az elektromos és elektronikus berendezések hulladékairól szóló 2012/19/EU európai törvény, amely már nincs érvényben, és az 2006/66/EK európai törvény értelmében a sérült vagy elhasznált akkumulátoregységeket/akkumulátorokat külön kell gyűjteni.

Ha az elektromos berendezéseket talajfeltöltési vagy árokbetömési célokra használják, olyan veszélyes anyagok kerülhetnek belőlük a talajvízbe, majd onnan a táplálkozási láncba, amelyek veszélyeztetik az egészséget.

HIBAELHÁRÍTÁS

▲ FIGYELMEZTETÉS: Mindig vegye ki a biztonsági kulcsot és az akkumulátoregységet a fűnyíró szervizelése vagy szállítása közben. Mindig védje a kezét nagy teherbírású kesztyűvel vagy úgy, hogy a vágóéleket betekeri rongyokba vagy más anyagokba, amikor karbantartást végez a fűnyíró pengéjén.

PROBLÉMA	A PROBLÉMA OKA	MEGOLDÁS
A fűnyíró nem indul	<ul style="list-style-type: none"> ■ Az akkumulátoregység lemerült. ■ Az akkumulátoregység nincs a helyére téve az akkumulátortartóban. ■ Az akkumulátoregység vagy a fűnyíró túl forró. (A fűnyíró teljesítményjelzője narancssárga színben világít 10 másodpercig.) ■ Az oldalsó állvány nincs teljesen kihajtva, és a kapcsok nincsenek a helyükre rögzítve. ■ A fogantyú nincs beállítva a két működési pozíció egyikébe. ■ A fűnyíró eltömődött fűvel vagy hulladékkal. 	<ul style="list-style-type: none"> ■ Töltse fel az akkumulátoregységet. ■ Csatlakoztassa az akkumulátoregységet a fűnyíróhoz. Nyomja le az akkumulátoregységet, amíg kattanást nem hall. ■ Hagyja kihűlni az akkumulátoregységet vagy a fűnyírót 67°C alatti hőmérsékletre. ■ Teljesen hajtja ki a fogantyút, és rögzítse a két kapcsot. ■ Állítsa a fogantyút a két működési pozíció egyikébe. ■ Tisztítsa meg a fűnyíró burkolatát, és ellenőrizze, hogy a penge szabadon tud mozogni.
A fűnyíró egyenetlenül vág.	<ul style="list-style-type: none"> ■ A penge tompa. ■ A vágásmagasság nincs megfelelően beállítva. ■ A penge helytelenül van összeszerelve. 	<ul style="list-style-type: none"> ■ Élezze meg, vagy cserélje ki a pengét. ■ Emelje magasabb vágásmagasságba. ■ A penge visszaszereléséhez nézze meg a „A PENGE KENÉSE” fejezetet a jelen használati útmutatóban.
A fűnyíró működés közben leáll.	<ul style="list-style-type: none"> ■ Az akkumulátoregység lemerült. ■ A fűnyíró túlterhelt. ■ A fűnyíró eltömődött fűvel vagy hulladékkal. ■ Az akkumulátoregység vagy a fűnyíró túl forró. (A fűnyíró teljesítményjelzője narancssárga színben világít 10 másodpercig.) ■ Az oldalsó állvány kissé be van húzva a fogantyúra kifejtett tolóerő miatt. 	<ul style="list-style-type: none"> ■ Töltse fel az akkumulátoregységet. ■ Emelje a vágásmagasságot, vagy lassítsa a fűnyírást. ■ Tisztítsa meg a fűnyíró burkolatot. Emelje a vágásmagasságot, vagy keskeny sávot nyírjon. ■ Hagyja kihűlni az akkumulátoregységet vagy a fűnyírót 67°C alatti hőmérsékletre. ■ Oldja ki a kapcsokat. Teljesen nyissa ki az oldalsó állványt, és rögzítse vissza a kapcsokat.

HU

PROBLÉMA	A PROBLÉMA OKA	MEGOLDÁS
A fűnyíró nem megfelelően nyír.	<ul style="list-style-type: none">■ Nedves lenyírt fű ragadt a burkolat aljára.■ A fűnyíró úgy van beállítva, hogy egyszerre túl sok fűvet nyírjon.	<ul style="list-style-type: none">■ Fűnyírás előtt várjon, amíg a fű megszárad.■ Emelje magasabb vágásmagasságba.
Túlzott vibráció	<ul style="list-style-type: none">■ A penge laza.■ A penge kiegyensúlyozatlan.■ A penge hajlott.■ A motor tengely hajlott.	<ul style="list-style-type: none">■ Húzza meg a penge csavarját.■ Egyensúlyozza ki a pengét az utasításoknak megfelelően.■ Cserélje ki a pengét.■ Lépjen kapcsolatba a szervizközponttal.
A fogantyú rögzítő kapcsokat nem lehet pozícióba rögzíteni.	<ul style="list-style-type: none">■ Az oldalsó állvány nincs teljesen kinyitva.	<ul style="list-style-type: none">■ Teljesen nyissa ki az oldalsó állványt, és zárja le a kapcsokat.

GARANCIA

EGO GARANCIÁLIS FELTÉTELEK

Kérjük, látogasson el az egopowerplus.com oldalra, ahol megtalálja a részletes EGO garanciális feltételeket.

HU

CITIȚI TOATE INSTRUCȚIUNILE!



CITIȚI MANUALUL DE INSTRUCȚIUNI.

⚠️ AVERTISMENT: Pentru siguranța și fiabilitatea produsului, toate reparațiile ar trebui efectuate de către un tehnician de service autorizat.

Scopul destinat și utilizări greșite previzibile: Produsul este destinat pentru tunderea ierbii numai în grădini din gospodărie. Acesta nu trebuie utilizat pentru tunderea ierbii neobișnuit de înaltă, uscată sau udă, de ex. pășuni, sau pentru tocarea frunzelor. Produsul trebuie utilizat numai în scopul pentru care a fost proiectat. Orice altă utilizare este considerată a fi caz de utilizare necorespunzătoare.

SIMBOLURI PRIVIND SIGURANȚA

Scopul simbolurilor privind siguranța este să vă atragă atenția asupra pericolelor posibile. Simbolurile privind siguranța și explicațiile furnizate cu acestea merită atenția și înțelegerea dumneavoastră. Simbolurile de avertizare, ele singure, nu elimină niciun pericol. Instrucțiunile și avertismentele pe care le oferă nu pot înlocui măsurile corecte de prevenire a accidentelor.

⚠️ AVERTISMENT: Asigurați-vă că ați citit și înțelegiți toate instrucțiunile privind siguranța din acest Manual de utilizare, inclusiv toate simbolurile de alertă privind siguranța precum **“PERICOL,”** **“AVERTISMENT,”** și **“ATENȚIE”** înainte de a utiliza această sculă. Nerespectarea tuturor avertismentelor și instrucțiunilor poate duce la electrocutare, incendiu și/sau răniiri grave.

SEMNIFICAȚIA SIMBOLURILOR

SIMBOL DE AVERTIZARE PRIVIND SIGURANȚA: Indică **PERICOL,** **AVERTISMENT,** sau **ATENȚIE.** Poate fi utilizat împreună cu alte avertismente sau pictograme.



⚠️ AVERTISMENT: Operarea oricăror scule electrice poate rezulta în proiectarea înspre ochii dumneavoastră a unor obiecte străine, ceea ce poate duce la vătămări grave ale ochilor. Înainte de a începe să utilizați scula electrică, întotdeauna purtați ochelari de protecție cu apărători laterali și vizieră facială completă când este nevoie. Vă recomandăm să purtați o vizieră lată de protecție peste ochelarii de vedere sau ochelari de protecție standard cu apărători laterale.

INSTRUCȚIUNI PRIVIND SIGURANȚA

Această pagină descrie simbolurile de siguranță ce pot apărea pe acest produs. Citiți, înțelegeți, și respectați toate instrucțiunile de pe mașină înainte de asamblare și operare.

	Alertă privind siguranța	Precauții care implică siguranța dumneavoastră.
	Citiți manualul de instrucțiuni	Pentru a reduce riscul de rănire, utilizatorul trebuie să citească și să înțeleagă manualul de instrucțiuni înainte de a utiliza acest produs.
	Atenție la lamele ascuțite.	Lamele continuă să se rotească după oprirea motorului - Îndepărtați dispozitivul de dezactivare înainte de a efectua operațiuni de întreținere. Oprțiți și îndepărtați setul de acumulatori (dispozitivul de dezactivare) înainte de a regla sau curăța.
	Țineți trecătorii la distanță	Asigurați-vă că terții și animalele de companie se află o distanță de cel puțin 30m de produs când acesta este în funcțiune.
	Țineți picioarele și mâinile departe	Țineți picioarele și mâinile departe
	CE	Acest produs este în conformitate cu directivele europene aplicabile.
	UKCA	Acest produs este în conformitate cu legislația aplicabilă din Marea Britanie.
	DEEE	Deșeurile produselor electrice nu trebuie să fie eliminate împreună cu deșeurile menajere. Predați-le unui punct de reciclare autorizat.
	Zgomot	Nivelul puterii sunetului garantat. Emisii sonore în mediul înconjurător conform Directivei comunitare europene.
	Simbol IP	Protecție împotriva pătrunderii apei de grad 4

RO

V	Volt	Voltaj
A	Amperi	Rezistență
Hz	Hertz	Frecvență (cicli pe secundă)
W	Watt	Putere
min	Minute	Durată
	Curent alternativ	Tip de curent
	Curent continuu	Tip sau o caracteristică a curentului
n ₀	Turație de mers în gol	Turație de mers în gol
.../min	Pe minut	Revoluții pe minut

INSTRUCȚIUNI GENERALE DE SIGURANȚĂ PENTRU SCULE ELECTRICE

⚠️ AVERTISMENT: CITIȚI TOATE INSTRUCȚIUNILE, AVERTIZĂRILE DE SIGURANȚĂ, ILUSTRĂȚIILE ȘI SPECIFICAȚIILE LIVRATE ÎMPREUNĂ CU ACEASTĂ SCULĂ ELECTRICĂ. Nerespectarea tuturor instrucțiunilor enumerate mai jos se poate solda cu șoc electric, incendiu și/sau vătămare corporală gravă.

RO

PĂSTRAȚI TOATE AVERTIZĂRILE ȘI INSTRUCȚIUNILE PENTRU CONSULTARE ULTERIOARĂ.

Termenul „sculă electrică” din avertizări se referă la scula electrică (cu cablu) alimentată de la rețeaua electrică sau scula electrică (fără cablu de alimentare) care funcționează cu acumulator.

SIGURANȚA ZONEI DE LUCRU

- **Păstrați zona de lucru curată și bine iluminată.** Zonele dezordonate și întunecoase predispun la accidente.
- **Nu puneți în funcțiune sculele electrice în atmosfere explozive, cum ar fi în prezența lichidelor, gazelor sau prafurilor inflamabile.** Sculele electrice creează scântei, care pot aprinde praful sau gazele.
- **Țineți copiii și persoanele prezente la distanță atunci când operați o sculă electrică.** Distragerea atenției vă poate face să pierdeți controlul.

SIGURANȚA ELECTRICĂ

- **Ștecherile sculelor electrice trebuie să corespundă cu priza de rețea electrică.** Nu modificați niciodată ștecherul în vreun fel. Nu utilizați adaptoare de priză cu scule electrice împământate. Ștecherile nemodificate și prizele adecvate vor reduce riscul de electrocutare.
- **Evitați contactul corpului cu suprafețele legate la împământare, cum sunt țevile, caloriferele, mașinile de gătit și frigidererele.** Acest lucru reprezintă un risc sporit de electrocutare în cazul care corpul dumneavoastră este împământat.
- **Nu expuneți sculele electrice la ploaie sau condiții de umiditate.** Pătrunderea apei într-o sculă electrică va crește riscul de electrocutare.
- **Nu folosiți în mod abuziv cablul de alimentare. Nu utilizați niciodată cordonul de alimentare pentru a transporta, a trage sau a scoate din priză scula electrică. Țineți cablul de alimentare departe de căldură, ulei, margini tăioase sau piese în mișcare.** Cablurile electrice deteriorate sau încălțite cresc riscul de electrocutare.
- **Când utilizați o sculă electrică în aer liber utilizați un cablu prelungitor adecvat pentru utilizarea în aer liber.** Utilizarea unui cablu adecvat pentru utilizare în aer liber reduce riscul de electrocutare.
- **Dacă utilizarea unei scule electrice într-o zonă umedă este inevitabilă, utilizați o sursă de alimentare protejată cu un întrerupător de protecție la curent rezidual (DCR).** Utilizarea unui astfel de întrerupător reduce riscul de electrocutare.

SIGURANȚA PERSONALĂ

- **Păstrați-vă vigilența, urmăriți ceea ce faceți și apelați la bunul simț când utilizați o sculă electrică.** Nu utilizați o sculă electrică când sunteți obosit, sau sub influența drogurilor, a alcoolului sau a medicației. Un moment de neatenție în timp ce utilizați sculele electrice se poate solda cu vătămări grave.
- **Utilizați echipamente de protecție personală. Purtați întotdeauna echipament de protecție oculară.** Echipamentele de protecție, cum ar fi masca de praf, bocancii de protecție antiderapanți, casca sau antifoanele utilizate în condiții corespunzătoare, vor reduce vătămrile corporale.
- **Preveniți pornirea accidentală. Asigurați-vă că întrerupătorul este în poziția oprit înainte de a conecta la o sursă de alimentare și/sau set de acumulatori, înainte de a ridica sau transporta scula.** Transportul sculelor electrice cu degetul pe întrerupător sau cu alimentarea cu energie electrică pornită, predis pune la accidente.
- **Îndepărtați orice cheie de reglare sau cheie fixă**

Înainte de a porni scula electrică. O cheie lăsată într-o piesă rotativă a sculei electrice poate duce la accidente.

- **Nu vă întindeți prea tare. Păstrați-vă stabilitatea și echilibrul în orice moment.** Astfel veți avea un mai bun control asupra sculei electrice în situații neașteptate.
- **Îmbrăcați-vă corespunzător. Nu purtați haine largi sau bijuterii.** Păstrați-vă părul, îmbrăcămintea și mănușile departe de componentele în mișcare. Îmbrăcămintea largă, bijuteriile sau părul lung pot fi prinse de piesele în mișcare.
- **Dacă sunt furnizate dispozitive pentru conectarea sistemelor de extragere și colectare a prafului, asigurați-vă că acestea sunt conectate și utilizate corespunzător.** Utilizarea dispozitivelor colectoare de praf poate reduce pericolele legate de praf.
- **Nu permiteți ca familiaritatea dobândită în urma utilizării frecvente a sculelor să vă facă să neglijați sau să nesocotiți principiile de siguranță ale sculei.** O operație neglijentă poate cauza răni grave într-o fracțiune de secundă

UTILIZAREA ȘI ÎNGRIJIREA SCULELOR ELECTRICE

- **Nu forțați scula electrică. Utilizați scula electrică corespunzătoare pentru aplicația dumneavoastră.** Scula electrică corectă va face o treabă mai bună și mai sigură utilizată conform specificațiilor pentru care a fost concepută.
- **Nu utilizați scula electrică dacă întrerupătorul nu comută pe pozițiile pornit și oprit.** Orice sculă electrică ce nu poate fi controlată cu întrerupătorul este periculoasă și trebuie reparată.
- **Deconectați ștecherul de la sursa de alimentare și/sau setul de acumulatori de scula electrică înainte de efectuarea oricăror reglaje, schimbări de accesorii sau înainte de depozitarea sculelor electrice.** Astfel de măsuri preventive reduc riscul de pornire accidentală a sculei electrice.
- **Depozitați sculele electrice într-un loc inaccesibil copiilor și nu permiteți utilizarea sculei electrice de persoane nefamiliarizate cu aceasta sau cu aceste instrucțiuni.** Sculele electrice sunt periculoase în mâna utilizatorilor neinstruiți.

- **Întrețineți sculele electrice și accesorii.** Verificați dacă există abateri de la coaxialitate sau îndoiri ale pieselor în mișcare, avarii ale pieselor și orice altă situație care poate afecta funcționarea sculelor electrice. În caz de deteriorare, reparați scula electrică înainte de utilizare. Multe accidente sunt cauzate de sculele electrice prost întreținute.
- **Mențineți sculele de tăiere ascuțite și curate.** Sculele de tăiere întreținute corespunzător și cu muchii de tăiere ascuțite riscă mai puțin să se îndoie și sunt mai ușor de controlat.
- **Utilizați scula electrică, accesorii și cuțitele demontabile etc. în conformitate cu aceste instrucțiuni, ținând cont de condițiile de lucru și lucrarea de efectuat.** Utilizarea sculei electrice pentru operații diferite de cele intenționate s-ar putea solda cu o situație periculoasă.
- **Mențineți mânerul și suprafețele de apucat uscate, curate și fără ulei și vaselină.** Mănerul și suprafețele de apucare alunecoase pot duce la manevrarea în nesiguranță și/sau la pierderea controlului asupra sculei.

UTILIZAREA ȘI ÎNGRIJIREA ACUMULATORULUI

- **Reîncărcați numai cu încărcătorul specificat de producător.** Un încărcător adecvat pentru un tip de set de acumulatori poate prezenta risc de incendiu dacă este utilizat cu alt set de acumulatori.
- **Utilizați sculele electrice doar cu seturile de acumulatori special menționate.** Utilizarea oricărui alt set de acumulatori prezintă risc de accidente și incendiu.
- **Când nu se utilizează setul de acumulatori, țineți-l departe de alte obiecte metalice precum clamele de hârtie, monedele, cheile, cuietele, șuruburile sau alte obiecte metalice mici care pot realiza o conexiune între borne.** Scurtcircuitarea bornelor acumulatorului poate produce arsuri sau un incendiu.
- **În condiții abuzive se poate scurge lichid din acumulator; evitați contactul.** Dacă are loc contactul accidental, clătiți cu apă. Dacă lichidul intră în contact cu ochii, efectuați suplimentar un consult medical. Lichidul scurs din acumulator poate produce iritații sau arsuri.
- **Nu utilizați un set de acumulatori sau o sculă avariată sau modificată.** Acumulatorii deteriorați sau modificați pot prezenta comportament imprevizibil, care poate duce la incendiu, explozie sau risc de vătămare.
- **Nu expuneți setul de acumulatori la foc sau la temperaturi excesive.** Expunerea la foc sau la temperaturi de peste 130°C poate provoca explozie.

RO

- **Respectați instrucțiunile de încărcare și nu încărcați setul de acumulatori sau scula în afara intervalului de temperatură specificat în instrucțiuni.** Încărcarea necorespunzătoare sau la temperaturi în afara domeniului specificat poate duce la deteriorarea acumulatorului și la creșterea riscului de incendiu.

DEPANARE

- **Apelați numai la o persoană calificată pentru a vă repara scula electrică utilizând numai piese de schimb identice.** Astfel se asigură menținerea nivelului de siguranță al sculei electrice.
- **Nu efectuați niciodată operații de service asupra seturilor de acumulatori avariați.** Depanarea acumulatorilor trebuie să fie efectuată numai de producător sau de prestatorii autorizați de servicii.

SFATURI PRIVIND MAȘINA DE TUNS IARBA CU ACUMULATOR

⚠ PERICOL: Această mașină a fost concepută pentru a fi exploatată în conformitate cu regulile privind utilizarea în siguranță incluse în acest manual. Ca în cazul oricărui echipament electric, neglijența sau greșelile din partea utilizatorului pot provoca răni grave. Această mașină poate vătăma mâinile și picioarele și poate proiecta obiecte. Nerespectarea tuturor instrucțiunilor de siguranță poate duce la rănire gravă sau deces.

RO

⚠ AVERTISMENT: În timpul utilizării mașinilor de tuns iarba cu acumulator, respectați măsuri de bază de siguranță pentru a reduce riscul de incendiu, de electrocutare și de vătămări.

IMPORTANT

CITIȚI CU ATENȚIE ÎNAINTE DE UTILIZARE. A SE PĂSTRA PENTRU CONSULTĂRI VIITOARE.

REGULI DE SIGURANȚĂ PRIVIND MAȘINILE DE TUNS IARBA CU ACUMULATOR:

ATENȚIE - NU ATINGEȚI LAMA ROTATIVĂ!

INSTRUIREA

- Citiți cu atenție instrucțiunile. Familiarizați-vă cu comenzile și cu utilizarea corectă a aparatului.
- Nu permiteți niciodată persoanelor nefamiliarizate cu aceste instrucțiuni sau copiilor să utilizeze aparatul. Reglementările locale pot restricționa vârsta operatorului.
- Nu tundeți niciodată iarba în timp ce sunt oameni, mai ales copii, sau animale în apropiere.

- Operatorul sau utilizatorul este responsabil de accidentele sau pericolele care se întâmplă altor persoane sau bunurilor acestora.

PREGĂTIREA

- În timp ce tundeți iarba, purtați întotdeauna încălțăminte trainică și pantaloni lungi.
- Nu puneți mașina în funcțiune când nu purtați încălțăminte sau dacă purtați sandale deschise. Evitați purtarea articolelor largi de îmbrăcăminte sau care prezintă șnururi sau fire ce atârnă.
- Inspectați cu atenție zona în care urmează a fi utilizată mașina pentru a îndepărta toate pietrele, bețele, oasele și alte obiecte străine.
- Înainte de utilizare, verificați întotdeauna vizual lama, șuruburile lamei și ansamblul lamei să nu fie uzate sau deteriorate. Înlocuiți lamele uzate sau deteriorate și șuruburile în seturi, pentru a păstra echilibrul. Înlocuiți etichetele distruse sau ilizibile.

UTILIZAREA

- Utilizați mașina de tuns iarba numai pe timp de zi sau în condiții de lumină artificială bună.
- Evitați utilizarea mașinii pe iarba udă, când acest lucru este posibil.
- Mențineți întotdeauna o poziție stabilă pe pante.
- Mergeți, nu alergați niciodată.
- Pentru mașini rotative pe roți, tundeți iarba transversal pe pante, niciodată în sus și în jos;
- Fiți foarte atenți când schimbați direcția pe pante.
- Nu lucrați pe pante excesiv de abrupte.
- Fiți foarte atenți când schimbați sensul sau trageți mașina către dumneavoastră.
- Opriti lama (lamele) dacă mașina trebuie înclinată pentru transport când traversați alte suprafețe diferite de iarbă și când transportați mașina către și de la zona care urmează să fie tunsă.
- Nu utilizați niciodată aparatul cu apărători defecte sau fără dispozitive de siguranță, de exemplu deflector și/ sau fără colectorul de resturi montat pe poziție.
- Porniți motorul, conform instrucțiunilor, cu picioarele la distanță de lamă (lame).
- Nu înclinați mașina când porniți motorul, cu excepția cazului în care mașina trebuie înclinată pentru pornire. În acest caz, nu înclinați mai mult decât este absolut necesar și ridicați numai partea care este la distanță de operator. Întotdeauna asigurați-vă că ambele mâni sunt în poziția de funcționare a mașinii înainte de a o repune pe sol. Nu porniți mașina când vă aflați în fața gurii de evacuare.

- Nu puneți niciodată mâinile sau picioarele în apropiere sau sub părțile rotative. Pentru mașinile de tuns iarba rotative, stați întotdeauna departe de orificiile de evacuare.
- Nu ridicați sau transportați mașina cât timp motorul este încă pornit.
- Oprțiți mașina și detașați setul de acumulatori (sau dispozitivul de dezactivare) și asigurați-vă că toate componentele sunt complet oprite înainte de a efectua reglaje sau de a curăța:
 - Ori de câte ori plecați de lângă mașină;
 - Înainte de îndepărtarea blocajelor sau de deblocarea canalului de evacuare a ierbii;
 - Înainte de verificarea, curățarea sau orice intervenție adusă aparatului;
 - După lovirea unui obiect străin. Inspectați mașina pentru depistarea deteriorărilor și efectuați reparații dacă este nevoie.
- Dacă mașina începe să vibreze anormal (verificați imediat):
 - Inspectați pentru depistarea deteriorărilor;
 - Înlocuiți sau reparați piesele deteriorate;
 - Verificați dacă există piese desfăcute care trebuie strânse.

ÎNȚEȚINERE ȘI DEPOZITARE

- Fiți atent în timpul reglării mașinii pentru a preveni prinderea degetelor între lamele în mișcare și părțile fixe ale mașinii.
- Mențineți strânse toate piulițele și șuruburile, pentru a fi sigur că aparatul este în stare bună de funcționare.
- Verificați frecvent colectorul de iarbă pentru depistarea semnelor de uzură sau deteriorare.
- Înlocuiți piesele uzate sau defecte în vederea asigurării securității.
- Este interzisă efectuarea curățării și întreținerii aparatului permisibile utilizatorului de către copii nesupraveheați.
- Când executați operațiuni de întreținere a lamelor, nu uitați că deși sursa de alimentare este oprită, lamele pot continua să se miște.
- Pentru mașinile de tuns rotative, asigurați-vă că sunt utilizate numai piese de schimb corecte ale elementelor de tăiere.

SIGURANȚA PERSONALĂ

Accidente tragice se pot întâmpla dacă operatorul nu este

atent la prezența copiilor. De multe ori, copiii sunt atrași de mașina de tuns și de tunsul ierbii. Aceștia nu înțeleg pericolele. Nu presupuneți niciodată că aceștia vor rămâne în locul unde i-ați văzut ultima dată.

- Țineți copiii în afara zonei de tuns și sub supravegherea atentă a unui adult responsabil, altul decât operatorul mașinii de tuns.
- Fiți atent și oprțiți mașina dacă un copil intră în zona de lucru.
- Aveți foarte multă grijă când vă apropiați de unghiuri moarte, uși de intrare, arbuști, copaci sau alte obiecte care v-ar putea împiedica să vedeți un copil ce ar putea să se ciocnească de mașina de tuns.
- Copiii trebuie să fie supraveheați pentru a vă asigura că nu se joacă cu mașina de tuns.
- Întotdeauna oprțiți mașina de tuns când îndepărtați setul de acumulatori din sculă. Oprțiți lama (lamele) dacă mașina trebuie înclinată pentru transport când traversați alte suprafețe diferite de iarbă și când transportați mașina către și de la zona care urmează să fie tunsă.

3 UTILIZAREA

FUNCȚIONARE GENERALĂ:

- Citiți acest manual de utilizare cu atenție și în întregime înainte de a încerca să asamblați mașina. Citiți, înțelegeți și respectați toate instrucțiunile de pe mașină și din manualele de utilizare înainte de operare. Familiarizați-vă cu controalele și utilizarea corectă a acestui aparat înainte de a-l utiliza. Păstrați acest manual într-un loc sigur pentru viitor și consultări periodice și pentru comandarea pieselor de schimb.
- Utilizați aparatul adecvat - Nu utilizați mașina de tuns gazonul în alt scop decât cel prevăzut.
- Nu vă întindeți excesiv - Păstrați-vă întotdeauna o poziție stabilă a picioarelor și echilibrul.
- Obiectele lovite de lama mașinii de tuns iarba pot cauza răni grave persoanelor. Peluza trebuie întotdeauna inspectată cu atenție și curățată de toate obiectele înainte de fiecare tuns.
- Înainte și în timp ce vă deplasați înapoi, priviți în spate și în jos pentru vizualizarea copiilor și a altor persoane.
- Această mașină nu este o jucărie. Din acest motiv, acordați atenție în permanență. Aparatul dumneavoastră a fost proiectat să execute o singură sarcină: să tundă iarba. A nu se utiliza în alt scop.
- Nu forțați mașina de tuns iarba - aceasta va efectua lucrarea mai bine și în siguranță mai mare, la viteza pentru care a fost proiectată.
- Înainte de utilizare, verificați întotdeauna vizual lama, șuruburile lamei și ansamblul lamei să nu fie uzate

RO

sau deteriorate. Înlocuiți lamele uzate sau avariate și bolțurile și oricare alte componente în același timp pentru păstrarea echilibrului. Înlocuiți etichetele distruse sau ilizibile.

- Fiți foarte atent când schimbați sensul sau trageți mașina către dumneavoastră.
- Inspectați cu atenție zona în care urmează a fi utilizat echipamentul. Îndepărtați toate pietrele, bețele, jucăriile și alte obiecte străine care v-ar putea împiedica sau care ar putea fi aspirate și ejectate de lamă. Obiectele ejectate ar putea cauza răni grave. Calculați-vă traseul mașinii pentru a evita evacuarea materialului înspre străzi, trotuare, trecători etc. De asemenea, evitați evacuarea materialului lângă pereți sau obstacole, acestea putând cauza ricoșarea materialului evacuat înapoi înspre operator.
- Pentru a se evita contactul cu lama sau rănirea cu obiecte ejectate, stați în zona de lucru în spatele mânerelor și țineți copii, trecătorii, asistenții și animalele de companie la cel puțin 30 m de mașina de tuns în timpul funcționării acesteia. Oprțiți mașina dacă cineva pătrunde în zona de lucru.
- Purtați întotdeauna ochelari de protecție sau protecții oculare în timpul utilizării și efectuării unui reglaj sau reparații pentru a vă proteja ochii. Obiectele ejectate care pot ricoșa pot cauza răni grave ale ochilor. Întotdeauna utilizați o mască de față sau o mască de praf dacă operația creează praf.
- Îmbrăcați-vă corespunzător - Nu purtați haine largi sau bijuterii. Acestea pot fi prinse în piesele aflate în mișcare. Utilizarea mănușilor și a încălțămintei de cauciuc este recomandată când lucrați în aer liber. Purtați bocanci rezistenți, cu talpă groasă și pantalonii și cămăși strâmte. Sunt recomandate cămășile și pantalonii care acoperă brațele și picioarele și bocanci cu bombeu de oțel. Nu utilizați niciodată acest aparat în picioarele goale, purtând sandale, încălțămintă alunecoasă sau ușoară (de ex. din pânză).
- Nu puneți mâinile sau picioarele în apropierea sau sub puntea de tăiere. Contactul cu lama poate răni mâinile și picioarele.
- Un capac lipsă sau avariata guri de evacuare poate cauza contactul cu lama sau poate provoca vătămări din cauza obiectelor aruncate.
- Multe vătămări sunt rezultatul împingerii mașinii de tuns peste picior în timpul unei căderi provocate de alunecare sau de împiedicare. Nu vă apucați de mașina de tuns în cazul în care cădeți; eliberați imediat mânerul.
- Nu trageți niciodată mașina de tuns înspre

dumneavoastră în timp ce mergeți. Dacă trebuie să dați mașina în marșarier dinspre un perete sau obstacol, priviți mai întâi în jos și în spate pentru a evita împiedicarea, după care urmați pașii următori:

- Pășiți în spatele mașinii de tuns pentru a vă întinde brațele la maxim.
- Asigurați-vă că vă puteți echilibra corect și aveți stabilitate.
- Trageți ușor mașina de tuns înapoi, fără să depășiți jumătate din distanța dintre mașină și dumneavoastră.
- Repetați acești pași cât de mult este nevoie.
- Nu operați mașina de tuns iarba dacă sunteți sub influența băuturilor alcoolice sau a drogurilor.
- Fiți vigilenți - urmăriți ceea ce faceți. Apelați la bunul simț. Nu utilizați mașina de tuns când sunteți obosit.
- Mânerul de control al motorului/lamei este un dispozitiv de siguranță. Nu încercați niciodată să-l șunțați. Făcând acest lucru, dispozitivul de siguranță devine nefuncțional și poate cauza vătămări corporale prin contactul cu lama rotativă. Mânerul de control al motorului/lamei trebuie să poată fi utilizat cu ușurință în ambele direcții și să revină automat la poziția dezactivată când este eliberat.
- Evitați mediile periculoase - Nu utilizați mașina de tuns iarba în locuri cu umezeală sau ude.
- Nu utilizați mașina în ploaie.
- Mențineți întotdeauna o poziție stabilă. O alunecare și cădere pot cauza răni grave. Dacă simțiți că vă pierdeți stabilitatea, eliberați imediat mânerul de control al motorului/lamei și lama se va opri din rotir în 3 secunde.
- Oprțiți lama când traversați drumurile cu pietriș, alei sau străzi.
- Dacă echipamentul începe să producă vibrații anormale, oprțiți motorul și identificați imediat cauza. Vibrațiile sunt în general semnul unor probleme.
 - Inspectați pentru depistarea deteriorărilor;
 - Înlocuiți sau reparați piesele deteriorate care pot fi depanate de către utilizator;
 - Verificați dacă există piese desfăcute care trebuie strânse și strângeți-le.
- Nu puneți niciodată mașina de tuns în funcțiune dacă nu este echipată cu scutul tractat corect, capacul guri de evacuare, sacul colector de iarbă, priza de tocare, evacuarea laterală, mânerul de control al motorului/lamei sau alte dispozitive de siguranță instalate și funcționale. Nu utilizați niciodată mașina de tuns cu dispozitivele de siguranță deteriorate. Nerespectarea acestei instrucțiuni se poate solda cu

vătămări grave.

- În cazul situațiilor care nu sunt adresate în acest manual, utilizați grijă și raționament. Contactați centrul de service pentru clienți EGO pentru asistență.
- Setul de acumulatori trebuie scos din aparat înainte de eliminarea acestuia.
- Acumulatorul trebuie eliminat într-un mod nepericulos.

UTILIZAREA PE O PANTĂ:

Pantele sunt un factor major în accidentele datorate alunecărilor și căderilor, care pot rezulta în răniuri grave. Mențineți întotdeauna o poziție stabilă pe pante. Funcționarea pe pante necesită grijă suplimentară. Dacă nu vă simțiți în siguranță pe o pantă, nu o tundeți.

Așa da:

- Tundeți iarba transversal pe pante; niciodată în sus și în jos. Fiți foarte atenți când schimbați direcția pe pante.
- Atenție la găuri, brazde, pietre, obiecte ascunse sau denivelări care v-ar putea face să cădeți sau să vă împiedicați. Iarba înaltă poate ascunde obstacole.

Așa nu:

- Nu tundeți în apropierea povârnișurilor, șanțurilor sau a pontoanelor; riscați să vă pierdeți stabilitatea sau echilibrul.
- Nu tundeți pante mai abrupte de 15 grade.
- Nu tundeți iarba udă. Poziția instabilă a picioarelor vă poate face să alunecați.

DEPANARE

⚠️ AVERTISMENT: Componentele colectorului de iarbă, capacul gurii de evacuare, evacuarea laterală, priza de tocare și scutul tractat sunt supuse uzurii, ceea ce poate duce la expunerea părților mobile sau pot permite proiectarea obiectelor, sporind riscul de rănire. Din motive de protecție, verificați periodic toate componentele și înlocuiți componentele avariate imediat cu piese de schimb identice, trecute în acest manual. Contactați Serviciul de clienți EGO sau cel mai apropiat centru de service EGO, iar reparațiile sau înlocuirile trebuie executate de către un tehnician de reparații autorizat!

- Dacă întrerupătorul de protecție încorporat al mașinii de tuns este acționat, contactați Serviciul de clienți EGO sau cel mai apropiat centru de service EGO.
- Nu spălați mașina de tuns cu furtunul de grădină; evitați pătrunderea apei în motor și în conexiunile electrice.
- Scoateți cheia și depozitați mașina de tuns iarba în interior când nu este utilizată. Lăsați motorul să se răcească înainte de a o depozita într-o încăpere.

Mașina de tuns iarba trebuie depozitată într-un loc uscat, la înălțime sau spațiu închis cu cheia, inaccesibil copiilor.

- Când efectuați operații de service, utilizați numai piese de schimb identice listate în acest manual. Utilizarea pieselor care nu întrucesc specificațiile echipamentului original pot duce la funcționarea inadecvată și la compromiterea siguranței.
- Îndepărtați sau deconectați setul de acumulatori înainte de a efectua operațiuni de service de a curăța sau de a îndepărta materiale din mașina de tuns iarba.
- Respectați instrucțiunile legate de schimbarea accesoriilor.
- Mențineți mânerul uscat, curat și fără ulei și vaselină.
- Pentru a reduce riscul de incendiu, păstrați capacul motorului curat, fără acumulări de iarbă, frunze și resturi.
- La intervale frecvente, verificați dacă lama și bolțurile de montare a motorului sunt strânse corect. De asemenea, inspectați vizual lama pentru depistarea avariilor (de ex. lamă îndoită, crăpată și uzată). Înlocuiți lama numai cu o lamă de schimb identică, specificată în manual.
- Întrețineți cu grijă mașina de tuns - păstrați lama mașinii de tuns ascuțită și curată pentru cele mai bune rezultate în siguranță. Lamele mașinilor de tuns sunt ascuțite și pot tăia. Înfășurați lama sau purtați mănuși și aveți grijă suplimentară când o depanați.
- Nu îndepărtați și nu modificați niciodată dispozitivele de siguranță. Verificați periodic dacă acestea funcționează corect. Nu încercați niciodată să interveniți asupra funcției destinate unui dispozitiv de siguranță sau să reduceți protecția furnizată de dispozitivul de siguranță.
- Opriti întotdeauna motorul înainte de a regla o roată sau de a regla înălțimea de tăiere.
- După lovirea unui obiect străin, opriti motorul, scoateți cheia și inspectați bine mașina de tuns pentru depistarea avariilor. Reparați avaria înainte de a utiliza mașina de tuns.
- Reparați sau înlocuiți etichetele de siguranță și cu instrucțiuni după cum este necesar. Contactați Serviciul de clienți EGO sau cel mai apropiat centru de service EGO, iar reparațiile sau înlocuirile trebuie executate de către un tehnician de reparații autorizat!
- **PĂSTRAȚI ACESTE INSTRUCȚIUNI.** Consultați-le frecvent și utilizați-le pentru a instrui alte persoane care ar putea utiliza această sculă electrică. Dacă împrumutați cuiva această sculă, împrumutați-i și aceste instrucțiuni pentru a preveni utilizarea inadecvată a produsului și posibile vătămări.

UTILIZAREA ȘI ÎNGRIJIREA ACUMULATORULUI

- Pentru a conserva resursele naturale, vă rugăm să reciclați sau să eliminați acumulatorii în mod corespunzător. Acest produs conține acumulatori cu litiu-ion. Legile locale sau naționale interzic eliminarea acumulatorilor cu litiu-ion împreună cu deșeurile menajere. Consultați autoritatea locală în domeniul deșeurilor pentru informații suplimentare privind opțiunile disponibile de reciclare și/sau de eliminare.
- După îndepărtarea setului de acumulatori în vederea eliminării sau reciclării, acoperiți bornele setului de acumulatori cu bandă adezivă super rezistentă. Nu încercați să distrugeți sau să demontați setul de acumulatori sau să-i îndepărtați vreo componentă. Acumulatorii cu litiu-ion trebuie reciclați sau eliminați într-un mod corect. De asemenea, nu atingeți niciodată bornele și/sau părți ale corpului cu obiecte metalice deoarece se poate produce un scurtcircuit. A nu se lăsa la îndemâna copiilor. Nerespectarea acestor instrucțiuni poate duce la incendiu și/sau vătămare corporală gravă.
- **ÎN CONDIȚII ABUZIVE SE POATE SCURGE LICHID DIN ACUMULATOR; EVITAȚI CONTACTUL. DACĂ ARE LOC CONTACTUL ACCIDENTAL, CLĂȚIȚI CU APĂ. DACĂ LICHIDUL INTRĂ ÎN CONTACT CU OCHII, EFECTUAȚI SUPLIMENTAR UN CONSULT MEDICAL.** Lichidul scurs din acumulator poate produce iritări sau arsuri.

Nivel de putere sonoră măsurat L_{WA}	91,5 dB(A) K=1,80 dB(A)	91,0 dB(A) K=1,89 dB(A)
Nivel de presiune sonoră la urechea operatorului L_{PA} K=3 dB (A)	79,5 dB(A)	79,2 dB(A)
Nivel de putere sonoră garantat L_{WA} (măsurat în conformitate cu 2000/14/CE)	93 dB(A)	93 dB(A)
Vibrații $a_{h,}$ K=1,5 m/s ²	Mâner stânga	≤2,5 m/s ²
	Mâner dreapta	≤2,5 m/s ²
Frână lamă	DA	DA

- Valoarea totală declarată a vibrațiilor a fost măsurată în conformitate cu o metodă standard de testare și poate fi utilizată pentru compararea sculelor între ele;
- Valoarea totală declarată poate fi utilizată în evaluarea preliminară a expunerii.

OBSERVAȚIE: Vibrațiile emise în timpul utilizării efective a sculei electrice pot diferi față de valoarea celor declarate pentru scula utilizată; Pentru protejerea operatorului, utilizatorul trebuie să poarte mănuși și protecții auditive în timpul utilizării efective a produsului.

CONȚINUTUL AMBALAJULUI

DENUMIRE PIESĂ	CANTITATE
Mașină de tuns iarbă	1
Sac colector de iarbă	1
Cadru colector de iarbă	1
Priză de tocare resturi vegetale	1
Cheie de siguranță	1
Manual de instrucțiuni	1

DESCRIERE

DESCRIEREA TRIMMERULUI (Fig. A & B & C & D & E)

- 1 Întrerupător mâner (Manetă întrerupătoare)
- 2 Mâner
- 3 Trăgaci de auto propulsie
- 4 Clemă de blocare mâner
- 5 Clemă de blocare mâner
- 6 Sac colector de iarbă
- 7 Manetă de reglare a înălțimii de tăiere
- 8 Roată posterioară
- 9 Ușă de evacuare laterală
- 10 Carcasă mașină de tuns iarbă
- 11 Faruri LED

RO

SPECIFICAȚII

Număr model	LM2020E	LM2020E-SP
Sistem cu auto propulsie	Ne	Taip
Voltaaj	56 V	56 V
Turație de mers în gol	3000 /min	3000 /min
Înălțime de tăiere	25-95 mm	25-95 mm
Temperatură de funcționare recomandată:	0°C-40°C	0°C-40°C
Temperatură de depozitare recomandată:	-20°C-70°C	-20°C-70°C
Poziții înălțime de tăiere	6	6
Dimensiuni carcasă	51 cm	51 cm
Lățime de tăiere	50 cm	50 cm
Volum colector de iarbă	60 L	60 L
Greutate mașină de tuns (fără set de acumulatori, priză de tocare resturi vegetale)	24,4 kg	27,2 kg
Model lamă	AB2001	AB2001

- 12 Capac caroserie
- 13 Roată frontală
- 14 Capac set de acumulatori
- 15 Mâner posterior
- 16 Manetă de reglare rapidă
- 17 Ușă de evacuare posterioară
- 18 Șină laterală
- 19 Manetă de viteză pentru auto propulsie
- 20 Scut tractat
- 21 Buton întrerupător pentru faruri cu LED
- 22 Indicator de alimentare
- 23 Buton de detașare acumulator
- 24 Contact cheie de siguranță
- 25 Priză de tocare resturi vegetale
- 26 Evacuare laterală

UTILIZAREA

ASAMBLAREA COLECTORULUI DE IARBĂ

- 1) Glisați colectorul de iarbă pe cadru (Fig. F).
- 2) Asamblați clemele superioare de cadru (Fig. G), după care asamblați cele două cleme laterale. La sfârșit, prindeți cleva inferioară.
- 3) Colectorul de iarbă asamblat în întregime este ilustrat în Fig. H.

REGLAREA MÂNERULUI PLIANT

⚠️ AVERTISMENT: Nu încercați să porniți mașina de tuns dacă mânerul nu este blocat într-una dintre pozițiile de funcționare presetate (POZIȚIA SUPERIOARĂ DE FUNCȚIONARE sau POZIȚIA INFERIOARĂ DE FUNCȚIONARE).

Mașina dumneavoastră de tuns este livrată cu mânerul compact, BLOCAT ÎN POZIȚIA DE DEPOZITARE (Fig. I).

- 1) Apăsăți și mențineți apăsat maneta de reglare rapidă pentru eliberarea mânerului din POZIȚIA DE DEPOZITARE BLOCATĂ.
- 2) Ridicați mânerul din poziția sa pliantă, după care eliberați maneta. Pivotați cu delicatețe mânerul în sus, până auziți și simțiți știftul de blocare anclanșat într-una dintre diferitele poziții precum în indicațiile din Fig. J.

Fig. J pentru descrierea pieselor consultați tabelul de mai jos:

J-1	Poziție blocată de depozitare
J-2	Dispozitiv de prindere colector de iarbă/ Poziție de îndepărtare
J-3	Poziție superioară de funcționare

J-4	Poziție mijlocie de funcționare
J-5	Poziție inferioară de funcționare

ATAȘAREA/DETAȘAREA SACULUI COLECTOR DE IARBĂ/PRIZEI DE TOCARE RESTURI VEGETALE

⚠️ AVERTISMENT: Nu efectuați în niciun moment vreun reglaj asupra mașinii de tuns iarbă fără să opriți mai întâi motorul, să scoateți cheia de siguranță și să așteptați ca lama să se oprească din rotire.

OBSERVAȚIE: Atașați la mașină unul dintre accesorii înainte de a tunde.

■ Atașarea/Detașarea sacului colector de iarbă (Fig. K)

Ajustați mânerul în poziția de operare dorită. Ridicați clapa de evacuare posterioară și atașați colectorul de iarbă pe tija pivotantă. Pentru a îndepărta, este suficient să ridicați colectorul de iarbă de pe tija pivotantă. La sfârșit, eliberați trapa posterioară de evacuare.

OBSERVAȚIE: Îndepărtați priza de tocare preinstalată înainte de a prinde colectorul de iarbă de mașina de tuns.

■ Atașarea/Detașarea prizei de tocare resturi vegetale (Fig. L)

Ridicați clapa de evacuare posterioară și introduceți priza de tocare în mașina de tuns. Pentru a o detașa, pur și simplu scoateți-o. La sfârșit, elibera clapa evacuării posterioare.

■ Atașarea/Detașarea evacuării laterale (Fig. M)

Ridicați clapa evacuării laterale. Aliniați fanta canalului de evacuare cu butonul clapei de evacuare și eliberați ușor clapa evacuării laterale pentru a o face să se rotească în jurul tijei pivotante până când se fixează cu fermitate pe canalul de evacuare. Pentru a îndepărta, ridicați clapa evacuării laterale, ridicați canalul lateral al evacuării de pe ansamblul mânerului clapei.

Fig. M pentru descrierea pieselor consultați tabelul de mai jos:

M-1	Clapă evacuare laterală
M-2	Mâner asamblare
M-3	Fantă asamblare
M-4	Canal lateral de evacuare
M-5	Pivot

OBSERVAȚIE: Priza de tocare resturi vegetale trebuie instalată când canalul lateral de evacuare este atașat.

RO

AJUSTAREA ÎNĂLȚIMII DE TĂIERE (Fig. N)

⚠️ AVERTISMENT: Păstrați-vă picioarele la distanță de carcasă când reglați înălțimea mașinii. Mașina poate fi setată pe 6 înălțimi de tăiere, între 25mm și 95mm. Alegeți înălțimea de tăiere corectă, în conformitate cu tipurile și condiția ierbii.

OBSERVAȚIE: Când deplasați mașina, asigurați-vă că înălțimea de tăiere este reglată pe poziția 3 sau mai sus. Nerespectarea acestei indicații poate cauza avariarea lamei.

ATAȘAREA/DETAȘAREA SETULUI DE ACUMULATORI (Fig. O)

Utilizați numai seturile de acumulatori și încărcătorii din fig.A.

ÎNCĂRCAȚI ACUMULATORUL ÎNAINTE DE PRIMA UTILIZARE.

⚠️ AVERTISMENT: În cazul părților lipsă sau defecte, nu încercați să instalați setul de acumulatori pe mașina de tuns sau să puneți mașina în funcțiune dacă părțile lipsă sau avariate nu sunt înlocuite. Nerespectarea acestei indicații poate duce la accidentări grave.

- **Pentru instalare**
Împingeți setul de acumulatori în compartimentul de acumulatori până la azul unui clic.
- **Pentru detașare**
Apăsați butonul de detașare a setului de acumulatori din compartimentul acestuia.

Fig. O pentru descrierea pieselor consultați tabelul de mai jos:

O-1	Fantă cheie de siguranță
O-2	Fantă cheie de siguranță
O-3	Buton de detașare acumulator

OBSERVAȚIE: Înainte de a începe utilizarea, asigurați-vă că opritorul de pe acumulator intră în locaș cu un zgomot sec, iar acumulatorul este fixat în mașina de tuns.

PORNIREA/OPRIREA MAȘINII DE TUNS IARBA

⚠️ AVERTISMENT: Operarea oricăror scule electrice poate rezulta în proiectarea înspre ochii dumneavoastră sau a altor persoane a unor obiecte străine, ceea ce poate duce la vătămări grave ale ochilor. Purtați întotdeauna ochelari de protecție în timpul operării sau la efectuarea unei ajustări sau reparații.

⚠️ AVERTISMENT: Asigurați-vă că terții și animalele de companie se află o distanță de cel puțin 30m de produs când acesta este în funcțiune.

⚠️ AVERTISMENT: Lama continuă să se rotească câteva secunde după oprirea mașinii de tuns. Lăsați motorul/lama să se oprească din rotir înainte de a reincepe. Nu porniți și opriți rapid mașina de tuns.

CHEIE DE SIGURANȚĂ

Pentru a se preveni pornirea accidentală sau utilizarea nepermisă a mașinii dumneavoastră de tuns iarba cu acumulator, o cheie de siguranță detașabilă a fost încorporată în proiectarea mașinii. Mașina va fi complet dezactivată când cheia de siguranță a fost scoasă din mașina de tuns.

⚠️ PERICOL: Lamele rotative pot cauza răni grave. Pentru prevenirea rănilor grave, scoateți cheia de siguranță din mașină când acesta este lăsată nesupravegheată sau când reglați, curățați, depanați transportați, ridicați sau depozitați mașina.

NOTĂ: Motorul nu poate fi pornit decât dacă:

- Mânerul este blocat într-una din cele trei poziții de funcționare, consultați AJUSTAREA MÂNERULUI PLIANT.
- Șinele laterale sunt extinse complet (Fig. P).
- Ambele cleme verzi de blocare a mânerului sunt bine închise (Fig. Q).

Q-1 Line indicare

⚠️ ATENȚIE: Nu încercați să anulați funcționarea butonului de siguranță și a manetei întrerupătoare.

Pornirea

- 1) Prindeți setul de acumulatori de mașina de tuns, introduceți cheia de siguranță în fanta acesteia și închideți capacul acumulatorului (Fig. O).
- 2) Conform Fig. R, apăsați în jos butonul de siguranță.
- 3) Cu butonul de siguranță apăsat, trageți maneta întrerupătoare în sus, spre mâner și eliberați butonul de siguranță.

Oprirea

- 1) Eliberați complet maneta întrerupătoare.
- 2) Frâna electrică a Mecanismului automat de frânare va opri rotirea lamei în 3 secunde de la eliberarea manetei întrerupătoare.

SISTEMUL CU AUTO PROPULSIE ȘI VITEZĂ VARIABILĂ

Mașina de tuns LM2020E-SP este echipată cu auto-propulsie și viteză variabilă. Sistemul este independent de întrerupătorul on/off (pornit/oprit) al lamei; nu depinde de rotirea lamei.

Pentru a opera sistemul fără rotirea lamei, trageți trăgaciul de auto propulsie spre mâner.

Pentru a opri auto propulsia, eliberați trăgaciul de auto propulsie.

Sistemul are viteză variabilă. Pentru a mări viteza, deplasați maneta controlului vitezei de auto propulsie spre înainte. Pentru a micșora viteza, deplasați maneta controlului vitezei de auto propulsie spre înapoi (Fig. T).

Pentru a opera cu lama rotindu-se pentru tăiere:

1. Porniți mașina de tuns.
2. Strângând maneta întrerupătoare de mâner cu mâna stângă, trageți trăgaciul de auto propulsie înspre mâner cu mâna dreaptă.
3. Strângeți simultan maneta întrerupătoare și trăgaciul de auto-propulsie de mâner cu mâna dreaptă și utilizați-vă mâna stângă pentru a regla maneta de control al vitezei în modul de auto-propulsie pentru a alege viteza dorită.

AVERTISMENT: Pentru a reduce riscul de rănire, nu încercați să anulați funcționarea întrerupătorului sau a sistemului de auto-propulsie. Utilizați funcția de auto-propulsie numai în scopul desemnat.

FARURILE CU LED (Fig. A-13)

Apăsați butonul întrerupător (Fig.C-22) pentru a porni/opri farurile cu LED situate în fața compartimentului acumulatorului.

INDICATORUL DE ALIMENTARE DE PE MAȘINA DE TUNS IARBA (Fig. U)

Mașina de tuns iarba este echipată cu un indicator de alimentare pentru a indica nivelul de încărcare al setului de acumulatori și starea de lucru a mașinii de tuns. Indicatorul de alimentare se va aprinde când lama se rotește sau când farurile cu LED sunt aprinse.

Indicator de alimentare pe mașina de tuns	Semnificație	Acțiune
Se aprinde verde	Mașina de tuns funcționează corect; acumulatorul are un nivel de încărcare de minim 15%	Nu este cazul
Se aprinde roșu	Baterie descărcată	Opriti mașina de tuns iarba și încărcați setul de acumulatori.

Roșu intermitent	Bateria este aproape descărcată	Opriti mașina de tuns iarba și încărcați setul de acumulatori.
Se aprinde portocaliu	Mașina de tuns sau setul de acumulatori sunt supraîncălzite	Scoateți setul de acumulatori din mașină, deplasați-l la umbră și lăsați să se răcească minim 15 minute.
Portocaliu intermitent	Mașina de tuns este supraîncărcată	Încetiniți ritmul sau ridicați înălțimea de tăiere pentru a micșora sarcina.

PROTECȚIE LA SUPRASARCINĂ A MAȘINII DE TUNS IARBA

Pentru prevenirea suprasolicitarea, nu încercați să tundeți prea multă iarbă odată. Încetiniți ritmul de tăiere sau măriți înălțimea de tăiere.

Mașina dumneavoastră de tuns iarba este echipată cu un circuit de protecție la suprasarcină. Când mașina este suprasolicitată, motorul se va opri și indicatorul de alimentare de pe mașină va clipi portocaliu. Detașați setul de acumulatori de pe mașina de tuns iarbă. Verificați dacă sub caroserie s-a acumulat iarbă și îndepărtați-o dacă este nevoie, după care instalați acumulatorul și restarțați mașina de tuns.

PROTECȚIA ÎMPOTRIVA SUPRAÎNCĂLZIRII ACUMULATORULUI

Setul de acumulatori va genera căldură în timpul operării. Căldura se împrăștie mai încet pe timp de vreme caldă. Dacă temperatura acumulatorului depășește 70°C în timpul utilizării, circuitul de protecție va opri automat mașina de tuns pentru a împiedica avarierea setului de acumulatori. Indicatorul de alimentare de pe mașină ca clipi portocaliu și LED-ul de pe acumulator va clipi portocaliu. Eliberați mânerul întrerupător, așteptați până când setul de acumulatori se răcește până la aproximativ 67°C, după care reporniți mașina de tuns iarba.

ÎNȚEȚINEREA

AVERTISMENT: Pentru a evita rănirile grave, întotdeauna scoateți cheia de siguranță din mașină înainte de a o curăța, efectua orice operațiune de întreținere sau de a transporta mașina.

RO

⚠️ AVERTISMENT: Când efectuați operații de service, utilizați doar piese de schimb identice. Utilizarea oricăror altor piese poate crea un pericol sau poate produce o deteriorare. Pentru siguranța și fiabilitatea produsului, toate reparațiile și înlocuirile de piese ar trebui efectuate de către un tehnician de service autorizat.

AVERTISMENT: Întotdeauna scoateți cheia de siguranță și setul de acumulatori când efectuați operații de întreținere sau transportați mașina de tuns. **CURĂȚAREA MAȘINII DE TUNS IARBA**

CURĂȚAREA MAȘINII DE TUNS IARBA

⚠️ AVERTISMENT: Întotdeauna scoateți cheia de siguranță și setul de acumulatori când efectuați operații de întreținere sau transportați mașina de tuns.

Dedesubtul carcasei mașinii de tuns iarbă trebuie curățat după fiecare utilizare, pentru a preveni acumularea de iarbă tăiată, frunze, murdărie sau alte resturi.

Îndepărtați orice depuneri de iarbă și frunze de pe sau din jurul capacului motorului (nu utilizați apă). Ștergeți mașina de tuns cu o cârpă curată.

ÎNDEPĂRTAREA/INSTALAREA LAMEI

⚠️ AVERTISMENT: Întotdeauna protejați-vă mâinile purtând mănuși rezistente sau înfășurând marginile tăioase cu cârpe sau alte materiale când efectuați orice operație de întreținere asupra lamei de tăiere. Întotdeauna scoateți cheia de siguranță și setul de acumulatori când efectuați operații de întreținere sau transportați mașina de tuns.

■ Îndepărtarea lamei

OBSERVAȚIE: Dacă bolțul se rotește cu axul motorului când slăbiți bolțul, rotiți ventilatorul cu mâna pentru a alinia găurile din ventilator cu găurile din lamă, și amplasați o altă tijă metalică în găurile aliniate.

■ Instalarea lamei

Urmând ordinea de asamblare din Fig. V, cu lama ventilatorului înspre carcasă și proeminența de pe lamă înspre exterior, aliniați găurile de pe ventilator cu găurile din lamă (Fig. X), după care strângeți lama ca în instrucțiunile din Fig. X.

Fig. V & W pentru descrierea pieselor consultați tabelul de mai jos:

V-1	Stabilizator 1	V-5	Flanșă interioară
V-2	Stabilizator 2	W-5	Lamă
V-3	Cheie de 14mm	W-2	Flanșă exterioară
V-4	Ventilator	W-3	Bolț

OBSERVAȚIE: Cuptul recomandat pentru strângerea bolțului lamei este 49-59Nm.

DEPOZITAREA MAȘINII DE TUNS IARBA

- Îndepărtați setul de acumulatori din mașina de tuns iarbă și depozitați-l într-un loc răcoros, uscat și curat. Nu depozitați mașina în apropierea materialelor corozive precum fertilizanți sau sare gemă.
- Depozitați mașina de tuns într-un spațiu închis acoperit, răcoros și uscat și inaccesibil copiilor.
- Nu acoperiți mașina de tuns cu o folie de plastic solidă. Foliile acoperitoare de plastic acumulează umezeala în jurul mașinii de tuns iarbă, ceea ce poate provoca rugină și coroziune.
- Mașina de tuns poate fi depozitată într-o poziție verticală sau orizontală (Fig. Z).

⚠️ AVERTISMENT: Dacă mașina de tuns începe să se încline din poziția verticală, poate cauza avariarea mașinii sau rănirea persoanelor. Întotdeauna păstrați mașina de tuns stabilă și inaccesibilă copiilor când este depozitată în poziție verticală. Dacă este posibil, depozitați-o orizontal.

Protejarea mediului înconjurător



Nu eliminați echipamentul electric, încărcătorul de acumulatori și bateriile/acumulatorii împreună cu deșeurile menajere!

Conform Directivei europene 2012/19/UE, sculele echipamentele electrice și electronice care nu mai sunt utilizabile, și conform Directivei europene 2006/66/CE, seturile de acumulatori/bateriile defecte sau uzate trebuie colectate separat.

Dacă aparatele electrice sunt aruncate la groapa de gunoi sau la haldă, se pot scurge substanțe periculoase în pânza freatică și acestea pot intra în lanțul trofic, afectându-vă sănătatea și bunăstarea.

RO

GHID DE DEPANARE

⚠️ AVERTISMENT: Întotdeauna scoateți cheia de siguranță și setul de acumulatori când efectuați operații de întreținere sau transportați mașina de tuns. Întotdeauna protejați-vă mâinile purtând mănuși rezistente sau înfășurând marginile tăioase cu cârpe sau alte materiale când efectuați orice operație de întreținere asupra lamei de tăiere.

PROBLEMĂ	CAUZĂ	SOLUȚIE
Mașina de tuns nu pornește.	<ul style="list-style-type: none"> ■ Setul de acumulatori este descărcat. ■ Setul de acumulatori nu este montat în compartimentul de acumulatori. ■ Setul de acumulatori sau mașina sunt prea fierbinți. (Indicatorul de alimentare de pe mașină se va aprinde portocaliu pentru 10 secunde) ■ Șinele laterale nu sunt extinse la lungimea lor maximă și clemele nu sunt blocate în poziție. ■ Mânerul nu este setat într-una dintre cele două poziții de funcționare. ■ Mașina de tuns este înfundată cu iarbă și resturi. 	<ul style="list-style-type: none"> ■ Încărcați setul de acumulatori. ■ Atașați setul de acumulatori de mașină. Apăsăți în jos setul de acumulatori până la auzul unui clic. ■ Lăsați setul de acumulatori sau mașina de tuns iarba să se răcească până când temperatura scade sub 67°C. ■ Extindeți la maxim mânerul și blocați ambele cleme. ■ Ajustați mânerul într-una dintre cele două poziții de funcționare. ■ Curățați carcasa mașinii de tuns și asigurați-vă că lama nu este obstrucționată.
Mașina de tuns nu tunde uniform	<ul style="list-style-type: none"> ■ Lama este tocită. ■ Înălțimea de tăiere nu este setată corect. ■ Lama este asamblată greșit. 	<ul style="list-style-type: none"> ■ Ascuțiți sau înlocuiți lama. ■ Ridicați carcasa mașinii la o înălțime mai mare de tăiere. ■ Reasamblați lama, urmând instrucțiunile din capitolul "INSTALAREA LAMEI" din acest manual.
Mașina de tuns se oprește în timpul tunsului	<ul style="list-style-type: none"> ■ Setul de acumulatori este descărcat. ■ Mașina este suprasolicitată. ■ Carcasa mașinii este înfundată cu iarbă și resturi. ■ Setul de acumulatori sau mașina sunt prea fierbinți. (Indicatorul de alimentare de pe mașină se va aprinde portocaliu pentru 10 secunde) ■ Șina laterală este retractată un pic datorită forței de împingere aplicată pe mâner. 	<ul style="list-style-type: none"> ■ Încărcați setul de acumulatori. ■ Ridicați înălțimea de tăiere sau încetiniți tunsul. ■ Desfundați carcasa mașinii de tuns. Ridicați înălțimea de tăiere sau tăiați un culoar mai îngust. ■ Lăsați setul de acumulatori sau mașina de tuns iarba să se răcească până când temperatura scade sub 67°C. ■ Deblocați clemele. Extindeți la maxim șinele laterale și blocați din nou clemele.

RO

PROBLEMĂ	CAUZĂ	SOLUȚIE
Mașina de tuns nu toacă resturile corect	<ul style="list-style-type: none"> ■ Resturile de iarbă tăiată udă se lipesc de dedesubtul carcasei. ■ Mașina de tuns este setată să taie prea multă iarbă odată. 	<ul style="list-style-type: none"> ■ Așteptați să se usuce iarba înainte de a tunde. ■ Ridicați carcasa mașinii la o înălțime mai mare de tăiere.
Există vibrații excesive	<ul style="list-style-type: none"> ■ Lama de tăiere este slăbită. ■ Lama de tăiere este dezechilibrată. ■ Lama de tăiere este îndoită. ■ Axul motorului este îndoit. 	<ul style="list-style-type: none"> ■ Strângeți bolțul lamei. ■ Echilibrați lama în conformitate cu instrucțiunile. ■ Înlocuiți lama. ■ Contactați un centru de service.
Clemele de blocare ale mânerului nu pot fi închise în poziție.	Șinele laterale nu sunt extinse la maxim.	Extindeți la maxim șinele laterale, după care blocați clemele.

GARANȚIA

POLITICA DE GARANȚIE EGO

Vă rugăm consultați website-ul egopowerplus.com pentru termenii și condițiile complete ale politicii de garanție EGO.

RO

PREBERITE VSA NAVODILA!



PREBERITE PRIROČNIK Z NAVODILI ZA UPORABO.

⚠ OPOZORILO: Za zagotovitev varnosti in zanesljivosti mora vsa popravila izvesti usposobljen serviser.

Namenska uporaba in predvidena nepravilna uporaba: Izdelek je namenjen košenju trave le v domačih vrtovih. Izdelka ne smete uporabljati za košnjo neobičajno visoke, suhe ali mokre trave, npr. trave na pašnikih ali listja. Izdelek se lahko uporablja samo za predpisan namen. Kakršna koli druga uporaba se smatra za nepravilno uporabo.

VARNOSTNI SIMBOLI

Namen varnostnih simbolov je, da pritegnejo vašo pozornost na morebitne nevarnosti. Varnostni simboli in njihova pojasnila si zaslužijo vašo pozornost in razumevanje. Opozorilni simboli sami ne odpravljajo nobene nevarnosti. Navodila in opozorila niso nadomestilo za ustrezne ukrepe za preprečevanje nesreč.

⚠ OPOZORILO: Poskrbite, da boste pred uporabo orodja prebrali in razumeli vsa varnostna navodila v priročniku z navodili za uporabo, vključno z vsemi simboli za varnostna opozorila, kot so »**NEVARNOST**«, »**OPOZORILO**«, in »**SVARILO**«. Neupoštevanje spodaj navedenih navodil se lahko odrazi v električnem udaru, požaru in/ali resnih telesnih poškodbah.

POMEN SIMBOLOV

SIMBOL VARNOSTNEGA OPOZORILO: Nakazuje **NEVARNOST**, **OPOZORILO** ali **SVARILO**. Uporablja se lahko skupaj z drugimi simboli ali piktogrami.

⚠ OPOZORILO: Delovanje katerega koli električnega orodja lahko povzroči metanje tujkov v vaše oči, kar lahko povzroči resne poškodbe očesa. Pred začetkom dela z električnim orodjem vedno nosite zaščitna očala ali varnostna očala s stranskimi zaščitami in kadar je treba tudi ščit za celoten obraz. Priporočamo vam uporabo varnostne maske Wide Vision Safety Mask za uporabo preko očal ali standardnih varnostnih očal s stransko zaščito.

VARNOSTNA NAVODILA

Na tej strani so prikazani in opisani varnostni simboli, ki se lahko pojavijo na tem izdelku. Preberite, osvojite in sledite navodilom na stroju preden ga boste poskušali sestaviti in upravljati.

	Varnostno opozorilo	Ukrepi za večjo varnost.
	Preberite priročnik z navodili za uporabo	Za zmanjšanje nevarnosti poškodb je pomembno, da si uporabnik pred uporabo naprave prebere priročnik z navodili za uporabo.
	Pazite na ostra rezila.	Potem, ko je motor že ugasnjen, se rezila še naprej vrtijo. Pred vzdrževanjem odstranite napravo za ustavljanje. Izklopite in odstranite baterijski sklop (napravo za ustavljanje) pred prilagajanjem ali čiščenjem.
	Prisotni naj bodo varno oddaljeni	Poskrbite, da bodo drugi ljudje in hišni ljubljenci vsaj 30 m stran od kosilnice, ko je v uporabi.
	Drži noge in se spusti	Drži noge in se spusti
	CE	Ta izdelek je v skladu z veljavnimi direktivami ES.
	UKCA	Ta izdelek je v skladu z veljavno zakonodajo Združenega kraljestva.
	Odpadna električna in elektronska oprema (OEEO)	Odpadnih električnih izdelkov se ne sme odlagati med gospodinjске odpadke. Odnosite jih k pooblaščenemu izvajalcu postopka recikliranja.
	Šum	Zajamčena raven zvočnega tlaka. Emisije hrupa v okolico so v skladu z direktivo Evropske skupnosti.
	Simbol IP	4. stopnja zaščite pred vdorom vode
	Volt	Napetost
	Amperi	Tok

SL

Hz	Hertz	Frekvenca (v ciklih na sekundo)
W	Watt	Napajanje
min	Minute	Čas
	Izmenični tok	Vrsta toka
	Enosmerni tok	Vrsta ali značilnost toka
n_0	Št. vrtljajev v prostem teku	Hitrost vrtenja, brez obremenitve
... /min	Na minuto	Vrtljajev na minuto.

SPLOŠNA VARNOSTNA OPOZORILA ZA ELEKTRIČNA ORODJA

⚠ OPOZORILO: PREBERITE VSA VARNOSTNA OPOZORILA, NAVODILA, SLIKE IN TEHNIČNE PODATKE, KI SO PRILOŽENI TEMU ELEKTRIČNEMU ORODJU. Zaradi neupoštevanja spodaj navedenih navodil lahko pride do električnega udara, požara in/ali hudih telesnih poškodb.

VSA OPOZORILA IN NAVODILA SHRANITE ZA KASNEJŠO UPORABO.

Izraz »električno orodje« v opozorilih se nanaša na orodja, ki jih poganja električni tok (žična), ali na baterijska (brežžična) orodja.

VARNOST DELOVNEGA OBMOČJA

- **Delovno območje naj bo čisto in dobro osvetljeno.** V neurejenih in temnih območjih se rade zgodijo nesreče.
- **Električnega orodja ne upravljajte v eksplozivnih okoljih, kot je ob prisotnosti vnetljivih tekočin, plinov ali prahu.** Električno orodje ustvarja iskre, ki lahko povzročijo vžig prahu ali hlapov.
- **Med uporabo električnega orodja v bližino ne pustite otrok in drugih ljudi.** Zaradi motenj lahko izgubite nadzor.

ELEKTRIČNA VARNOST

- **Vtiči električnih orodij se morajo prilegati vtičnicam.** Vtiča nikoli ne smete spreminjati na kakršen koli način. Z ozemljenimi električnimi orodji ne uporabljajte adapterjev. Nespremenjeni vtiči in ujemaajoče se vtičnice bodo zmanjšale tveganje za električni udar.

- **Izogibajte se telesnemu stiku z ozemljenimi površinami, kot so cevi, radiatorji, štedilniki in hladilniki.** Če je vaše telo ozemljeno, obstaja povečano tveganje električnega udara.
- **Orodja ne izpostavljajte dežju ali vlažnim vremenskim pogojem.** Če v električno orodje zaide voda, obstaja večja možnost električnega udara.
- **Ne poškodujte električnega kabla.** Kabla nikoli ne uporabljajte za nošenje, vlečenje ali odklapanje električnega orodja. Kabel hranite stran od vročine, olja, ostrih robov ali premikajočih se delov. Poškodovani ali zapleteni kablji zvišujejo tveganje električnega udara.
- **Med zunanjo uporabo električnega orodja uporabljajte podaljšek, ki je primeren za zunanjo uporabo.** Uporaba kabla, primerne za zunanjo uporabo, znižuje tveganje električnega udara.
- **Če je uporaba električnega orodja na vlažnem mestu neizogibna, uporabite napajanje, zaščiten z napravo na diferenčni tok.** Uporaba te naprave bo zmanjšala nevarnost električnega udara.

OSEBNA VARNOST

- **Med uporabo električnega orodja bodite pozorni, spremljajte potek dela in uporabljajte zdrav razum.** Električnega orodja ne uporabljajte, kadar ste utrujeni ali pod vplivom drog, alkohola ali zdravil. Trenutek nepazljivosti med uporabo električnega orodja lahko povzroči hude telesne poškodbe.
- **Uporabljajte osebno varovalno opremo. Vedno poskrbite za zaščito za oči.** Če v različnih okoliščinah nosite ustrezno zaščitno opremo, kot so maska proti prahu, obutev z nedrsečim podplatom, trdno pokrivalo glave in zaščita za sluh, zmanjšate možnost telesnih poškodb.
- **Preprečite neželen zagon. Pred priklopom napajanja in/ali baterijskega sklopa, pred dvigovanjem ali nošenjem orodja se prepričajte, da je stikalo v položaju za izklop.** Prenašanje električnih orodij s prstom na stikalu ali dovajanje napajanja električnim orodjem, pri katerih je stikalo v položaju za vklop, poveča tveganje nesreč.
- **Pred vklopom električnega orodja odstranite morebitne nastavitvene ključe ali izvijače.** Izvijač ali ključ, ki je pritrjen na vrtljivi del električnega orodja, lahko povzroči telesne poškodbe.
- **Ne stegujte se preveč. Pazite, da stojite stabilno in imate ravnotežje.** To omogoča boljši nadzor nad električnim orodjem v nepričakovanih situacijah.

SL

- **Bodite primerno oblečeni. Ne nosite ohlapnih oblačil ali nakita. Pazite, da lasje, oblačila in rokavice ne pridejo v bližino gibljivih delov.** Ohlapna oblačila, nakit ali dolgi lasje se lahko zapletejo v gibljive dele.
- **Če imate na voljo naprave za sesanje in zbiranje prahu, preverite, ali so priključene in ali se ustrezno uporabljajo.** Uporaba naprav za odstranjevanje prahu lahko zmanjša nevarnosti, povezane s prahom.
- **Čeprav dobro poznate orodje zaradi pogoste uporabe, ne postanite ravnodušni in ne prezirajte varnostnih načel orodja.** Nepazljivost pri uporabi lahko povzroči hude telesne poškodbe v delcu sekunde.

UPORABA IN NEGA ELEKTRIČNEGA ORODJA

- **Električnega orodja ne preobremenjujte.** Uporabite električno orodje, ki ustreza vašemu delu. Ustrezno električno orodje bo nalogo opravilo bolje in varneje pri zmogljivosti, za katero je bilo zasnovano.
- **Ne uporabljajte električnega orodja, če ga ni mogoče vklopiti ali izklopiti s stikalom.** Kakršno koli električno orodje, ki ga ni mogoče nadzirati s stikalom, je nevarno in ga je potrebno popraviti.
- **Odklopite vtič iz vira napajanja in/ali baterije, preden opravite kakršne koli prilagoditve, menjate dodatke ali shranjujete električno orodje.** Tovrstni preventivni varnostni ukrepi zmanjšujejo tveganje nenamernega zagona električnega orodja.
- **Električna orodja, ki niso v uporabi, shranjujte izven dosega otrok in ne dovolite, da bi električno orodje uporabljale osebe, ki niso seznanjene z električnim orodjem ali s temi navodili.** Električno orodje je v rokah neusposobljenih uporabnikov nevarno.
- **Električna orodja in dodatke redno vzdržujte.** Preverite morebitno nevarnost ali povezano premikajočih se delov, zlome delov ali morebitno drugačno stanje, ki bi lahko vplivalo na delovanje električnega orodja. Če je električno orodje poškodovano, ga pred ponovno uporabo nesite na popravilo. Mnogo nesreč se pripeti zaradi slabo vzdrževanih električnih orodij.
- **Rezalna orodja naj bodo vedno nabrušena in čista.** Pravilno vzdrževana rezalna orodja z ostrimi rezili se težje zaskočijo in jih je lažje nadzirati.
- **Električno orodje, dodatke in dele orodja itd. uporabljajte v skladu s temi navodili, pri tem pa upoštevajte delovne pogoje in delo, ki ga boste opravljali.** Če boste električno orodje uporabljali za neustrezne namene, lahko pride do nevarnih situacij.

- **Ročaji in prijemne površine naj bodo suhe, čiste in brez madežev olja ali masti.** Drseči ročaji in prijemne površine lahko povzročijo nevarno upravljanje in/ali izgubo nadzora nad orodjem.

UPORABA IN VZDRŽEVANJE BATERIJSKEGA ORODJA

- **Baterijo polnite le s polnilnikom, ki ga določa proizvajalec.** Polnilnik, ki ustreza eni vrsti baterijskega sklopa, morda lahko povzroči požar, če z njim polnite drugo vrsto baterijskega sklopa.
- **Baterijska orodja uporabljajte samo s predpisano vrsto baterij.** Uporaba katerih koli drugih baterijskih sklopov lahko povzroči tveganje poškodb in požara.
- **Ko baterijski sklop ni v uporabi, ga hranite ločeno od kovinskih predmetov, kot so sponke za papir, kovanci, ključji, žebliji, vijaki ali drugi majhni kovinski predmeti, ki lahko povzročijo stik med enim in drugim terminalom.** Kratek stik zaradi povezanih terminalov baterije lahko povzroči opekline ali požar.
- **Ob zlorabi baterije lahko iz nje steče tekočina. Če se nehote dotaknete tekočine, mesto dotika sperite z vodo. Če pride tekočina v stik z očmi, poiščite zdravstveno pomoč.** Tekočina, ki izteče iz baterije, lahko povzroči vnetje ali opekline.
- **Baterijskega sklopa ali orodja, ki je poškodovano ali spremenjeno, ne uporabljajte.** Poškodovane ali spremenjene baterije se lahko nepredvidljivo vedejo, kar lahko povzroči požar, eksplozijo ali tveganje telesnih poškodb.
- **Baterijskega sklopa ali orodja ne izpostavljajte ognju ali previsokim temperaturam.** Izpostavljenost ognju ali temperaturam nad 130 °C lahko povzroči eksplozijo.
- **Upoštevajte vsa navodila za polnjenje in baterijskega sklopa ali orodja ne polnite izven temperaturnega razpona, navedenega v navodilih.** Nepravilno polnjenje ali temperature izven navedenega razpona lahko poškodujejo baterijo in povečajo tveganje požara.

SERVIS

- **Električno orodje naj servisira usposobljeno servisno osebje, ki uporablja le enake nadomestne dele.** To bo zagotovilo ohranjanje varnosti električnega orodja.
- **Nikoli ne popravljajte poškodovanih baterijskih sklopov.** Baterijske sklope lahko popravi le proizvajalec ali pooblaščen izvajalec storitev.

VARNOSTNA PRAVILA ZA BREŽIČNO KOSILNICO

⚠ NEVARNOST: Ta stroj je bil izdelan za upravljanje v skladu s pravili za varno upravljanje v tem priročniku. S to vrsto naprav lahko brezbržnost ali napaka s strani upravljavca vodita v resno poškodbo. Ta stroj lahko povzroči poškodbe dlani in stopal ter metanje predmetov. Če teh navodil ne boste spoštovali, lahko pride do hudih poškodb ali celo smrti.

⚠ OPOZORILO: Pri uporabi brezžičnih kosilnic morate vedno upoštevati osnovne previdnostne ukrepe, saj le tako lahko zmanjšate nevarnost požara, električnega udara, opeklin in telesnih poškodb.

POMEMBNO

PRED UPORABO NATANČNO PREBERITE. SHRANITE ZA PRIHODNJO UPORABO.

VARNOSTNA PRAVILA ZA BREŽIČNE KOSILNICE:

SVARILO – NE DOTIKAJTE SE VRTEČEGA REZILA!

URJENJE

- Pozorno preberite navodila. Seznanite se s krmilnimi elementi in pravilno uporabo naprave.
- Ljudem, ki niso seznanjeni s temi navodili, ali otrokom nikoli ne dovolite uporabljati naprave. Lokalni predpisi morda omejujejo starost upravljavca.
- Ne kosite, če so v bližini ljudje, zlasti otroci, ali pa domače živali.
- Upravljevec oziroma uporabnik je odgovoren za nesreče in tveganja drugih ljudi in lastnine.

PRIPRAVA

- Med košnjo vedno nosite ustrezno obutev in dolge hlače.
- Naprave ne upravljajte bos ali v odprtih sandalih. Ne nosite oblačil, ki so ohlapna ali z njih visijo trakovi.
- Območje, kjer boste uporabljali napravo, temeljito pregledajte in odstranite vse kamne, palice, žice, kosti in druge tujke.
- Pred uporabo napravo pregledajte za obrabo ali poškodbe rezil, vijakov rezil in sklopa rezila. Obrabljena ali poškodovana rezila in vijake zamenjajte hkrati, da ohranite uravnoteženost naprave. Zamenjajte poškodovane ali neberljive oznake.

UPRAVLJANJE

- Kosite le podnevi ali ob dobri umetni svetlobi.
- Kjer je mogoče, se izognite uporabi naprave v mokri travi.

- Pri uporabi na pobočjih vedno pazite na ravnotežje.
- Hodite, nikoli ne tecite.
- Z rotacijskih kosilnicah na kolesih kosite poševno glede na pobočje, nikoli navzgor in navzdol.
- Pri menjavanju smeri na pobočjih bodite izredno previdni.
- Ne kosite na preveč strmih pobočjih.
- Pri vzvratnem premikanju ali ob potegu naprave proti sebi bodite izjemno previdni.
- Ustavite rezila, če je treba napravo nagniti za transport preko površin, ki niso trava, in pri transportu naprave na in z območja košnje.
- Naprave ne upravljajte, če so okvarjeni ščitniki, če ni nameščenih varnostnih naprav, kot so odbojniki in/ali lovilci trave.
- Motor zaženite v skladu z navodili in z dovolj odstranjenimi stopali od rezila.
- Pri zagonu motorja ne nagibajte naprave, razen če je napravo treba nagniti za zagon. V tem primeru je ne nagnite bolj kot je nujno potrebno in dvignite samo del, ki je odmaknjen od upravljavca. Preden boste napravo položili nazaj na tla, se prepričajte, da sta obe roki v položaju za upravljanje. Stroja ne zaženite, kadar stojite pred odprtino za izmet.
- Roke in stopala držite stran od vrtečih se delov. Pri rotacijskih kosilnicah bodite ves čas stran od odprtin za izmet.
- Medtem ko motor teče, naprave ne dvigujte in ne nosite.
- Izklopite in odstranite baterijski sklop (ali napravo za ustavljanje) in pred prilagajanjem ali čiščenjem poskrbite, da so se vsi vrtljivi deli popolnoma ustavili:
 - kadar koli pustite napravo brez nadzora;
 - pred čiščenjem blokade in posode;
 - pred pregledom, čiščenjem ali delom na napravi;
 - ko zadenete ob tujek. Napravo pregledajte za poškodbe in jo popravite, če je treba.
- Če naprava začne nenormalno vibrirati (takoj preverite):
 - pregledajte za poškodbe;
 - zamenjajte ali popravite poškodovane dele;
 - pregledajte in privijte razrahljanje dele.

VZDRŽEVANJE IN SHRANJEVANJE

- Med prilagajanjem stroja bodite previdni, da preprečite ujetost prstov med premikajoča rezila in fiksne dele naprave.

SL

- Vse matice in vijaki naj bodo trdno priviti, da boste zagotovili varno delovno stanje naprave.
- Zbiralnik trave redno preverjajte za obrabo ali razpad.
- Obrabljene ali poškodovane dele zaradi varnosti redno menjajte.
- Otroci naj ne izvajajo čiščenja in vzdrževanja naprave brez nadzora.
- Pri servisiranju rezil se zavedajte, da tudi če je vir napajanja izključen, se lahko rezila še vedno premikajo.
- Pri rotacijskih kosilnicah poskrbite, da boste uporabili le nadomestna rezilna sredstva prave vrste.

OSEBNA VARNOST

Če upravljavec ni pozoren na prisotnost otrok, lahko pride do tragičnih nesreč. Otroke velikokrat privlači kosilnica in košenje. Ne razumejo nevarnosti. Nikoli ne predvidevajte, da bodo otroci ostali, kjer ste jih nazadnje videli.

- Otroci naj bodo izven območja košnje pod budnim očesom odgovorne odrasle osebe, ki ni upravljavec.
- Bodite pozorni in kosilnico izklopite, če otrok vstopi v območje košnje.
- Izjemno previdni bodite, ko vstopate v mrtve kote, v bližino vrat, grmovja, dreves ali drugih objektov, ki lahko zmanjšajo vašo vidljivost otroka, ki lahko priteče h kosilnici.
- Otroke je treba nadzorovati in poskrbeti, da se ne igrajo s kosilnico.
- Ko iz orodja odstranjujete baterijski sklop, vedno izklopite kosilnico. Ustavite rezila, če je treba napravo nagniti za transport preko površin, ki niso trava, in pri transportu naprave na in z območja košnje.

SL

DELOVANJE

SPLOŠNO UPRAVLJANJE:

- Pred sestavljanjem stroja temeljito preberite celoten priročnik z navodili za uporabo. Pred upravljanjem preberite, osvojite in sledite navodilom na stroju in v priročnikih. Pred upravljanjem se popolnoma seznanite s kontrolami in pravilno uporabo tega stroja. Ta priročnik hranite na varnem mestu za nadaljnjo in redno referenco ter za naročanje rezervnih delov.
- Uporabite pravo napravo. Kosilnico uporabljajte izključno za dela, za katera je namenjena.
- Ne segajte predaleč. Pazite, da stojite stabilno in da imate ravnotežje.
- Predmeti, ki obtičijo ob rezilu kosilnice, lahko povzročijo resne telesne poškodbe. Pred vsako košnjo morate kosilnico temeljito pregledati in iz nje očistiti tujke.
- Pred in med premikanjem nazaj glejte nazaj in navzdol ter bodite pozorni na otroke in druge ljudi.
- Ta stroj ni igrača. Zato bodite vedno zelo previdni. Vaša enota je bil zasnovana za opravljanje enega dela: košnje trave. Za druge namene je ne uporabljajte.
- Kosilnice ne uporabljajte s silo. Svoje delo bo opravljala bolje in bolj varno pri hitrosti, za katero je bila zasnovana.
- Pred uporabo napravo pregledajte za obrabo ali poškodbe rezil, vijakov rezil in sklopa rezila. Za ohranjanje ravnotežja hkrati zamenjajte obrabljena ali poškodovana rezila in vijake. Zamenjajte poškodovane ali neberljive oznake.
- Pri vzratnem premikanju ali ob potegu naprave proti sebi bodite izjemno previdni.
- Temeljito pregledajte območje, kjer boste uporabljali opremo. Odstranite vse kamne, palice, žico, igrače in druge tujke, ob katere se lahko spotaknete ali jih zgrabi in izvrže rezilo. Takšni predmeti lahko povzročijo resno telesno poškodbo. Načrtujte potek košnje, da se izognete odmetavanju materiala proti cesti, pločnikom, prisotnim ljudem in podobno. Poleg tega se izognite odmetavanju materiala ob stene ali ovire, od katerih se bi lahko material odbil nazaj proti upravljavcu.
- Da se izognete stiku z rezilom ali poškodbam zaradi izmeta predmetov, ostanite v območju upravljavca za ročaji, otroci, prisotni, pomočniki in hišni ljubljenci pa naj bodo med košnjo vsaj 30 m stran od kosilnice. Če kdor koli vstopi v območju, kosilnico ustavite.
- Med upravljanjem naprave in med prilagajanjem ali popravljanjem vedno nosite varnostna očala ali zaščitna očala. Predmeti, ki jih izvrže lahko resno poškodujejo oči. Pri prašnem delu vedno nosite masko za obraz ali protiprašno masko.
- Primerno se oblecite. Ne nosite ohlapnih oblačil ali nakita. Zataknejo se lahko v premikajoče dele. Pri delu zunaj je priporočljivo, da uporabljate gumijaste rokavice in čevlje. Nosite močne delovne čevlje z grobim podplatom in prilegajoče se hlače in majice. Priporočljive so dolge hlače in majice z dolgimi rokavi ter čevlji z varnostno kapico. Stroja nikoli ne upravljajte bosi, v sandalih, v spolzkih ali lahkih čevljih (npr. platnenih).
- Dlani ali stopal ne polagajte v bližino vrtečih se delov ali pod kosišče. Stik z rezilom lahko poškoduje dlani in stopala.
- Manjkajoč ali poškodovan pokrov izmeta lahko povzroči stik z rezilom ali poškodbe zaradi izvrženih predmetov.
- Veliko poškodb se zgodi zaradi potega kosilnice preko stopala ob padcu zaradi zdrsa ali spotika. Ob padcu takoj izpusite ročaj kosilnice.

- Medtem ko hodite, kosilnice nikoli ne vlecite nazaj proti sebi. Če morate kosilnico odmakniti od stene ali ovire, najprej pogledajte navzdol in nazaj, da se izognite padcu, nato sledite naslednjim korakom:
 - Stopite nazaj od kosilnice, da popolnoma iztegnete roke.
 - Prepričajte se, da ste dobro uravnoteženi in imate dobro oporo.
 - Kosilnico počasi povlecite nazaj, vendar ne več kot polovico poti proti sebi.
 - Po potrebi korake ponovite.
- Kosilnice ne upravljajte, če ste pod vplivom alkohola ali drog.
- Ostanite pozorni. Pazite, kaj delate. Uporabljajte trezno presojo. Kadar ste utrujeni, kosilnice ne uporabljajte.
- Kontrolni ročaj motorja/rezila je varnostna naprava. Nikoli ne poskušajte obiti njegovega delovanja. Če to storite, bo varnostna naprava postala nedelujoča in lahko vodi v telesno poškodbo zaradi stika z vrtečim se rezilom. Kontrolni ročaj motorja rezila mora delovati z lahkoto v obe smeri ter se samodejno vrniti v neaktiviran položaj, ko ga sprostite.
- Izogibajte se nevarnim okoljem. Kosilnic ne uporabljajte v vlažnih ali mokrih okoljih.
- Ne uporabljajte na dežju.
- Vedno stojite trdno. Zdrs in padec lahko povzročita resno telesno poškodbo. Če imate občutek, da izgubljate oporo, nemudoma sprostite kontrolni ročaj motorja/rezila in rezilo se bo v treh sekundah nehalo vrteči.
- Pri prečkanju gramoznih cest, poti ali cest ustavite rezilo.
- Če začne oprema nenormalno vibrirati, ustavite motor in takoj poskušajte ugotoviti vzrok. Vibracije običajno opozarjajo na težave:
 - preglejte za poškodbe;
 - zamenjajte ali popravite poškodovane dele, ki jih lahko uporabnik zamenja sam;
 - preglejte in privijte razrahljane dele;
 - kosilnice nikoli ne upravljajte brez primerne zadnjega ščitnika, pokrova izmeta, vreče za travo, vložka za mulčenje, stranskega deflektorja za izmet, kontrolnega ročaja za motor/rezilo ali drugih nameščenih in delujočih varnostnih naprav za zaščito. Kosilnice s poškodovanimi varnostnimi napravami nikoli ne upravljajte. Če tega ne upoštevate, lahko pride do telesnih poškodb.

- Če pride do situacij, ki niso zajete v tem priročniku, bodite pazljivi in uporabite dobro presojo. Za pomoč se obrnite na servisni center EGO.
- Preden napravo zavržete, morate iz nje odstraniti baterijski sklop.
- Baterijo morate varno odvreči.

UPRAVLJANJE NA POBOČJU:

Pobočja predstavljajo velik faktor pri nastanku nesreč zaradi zdrsa in padca, ki lahko vodijo v resne telesne poškodbe. Pri uporabi na pobočjih vedno pazite na ravnotežje. Uporaba na pobočjih zahteva dodatno previdnost. Če na pobočju niste sproščeni, ga ne kosite.

Naredite:

- Kosite poševno po pobočju, nikoli navzdol in navzgor. Pri menjavanju smeri na pobočjih bodite izredno previdni.
- Pazite na luknje, skale, skrite predmete ali izbokline, zaradi katerih lahko zdrsnete ali se obnje spotaknete. Visoka trava lahko skriva ovire.

Nikoli:

- Nikoli ne kosite v bližini odlagališč, jarkov ali nasipov, saj lahko izgubite oporo ali ravnotežje.
- Ne kosite pobočjih, ki so strmejša od 15 stopinj.
- Ne kosite mokre trave. Nestabilna pozicija lahko povzroči zdrs.

SERVIS

⚠ OPOZORILO: Komponente vreče za travo, pokrova izmeta, stranskega deflektorja za izmet, vložka za mulčenje in zadnjega ščitnika se obrabijo in poškodujejo, kar lahko izpostavi premikajoče se dele ali dovoli izmed predmetov, to pa lahko vodi do nevarnosti poškodbe. Za varnostno zaščito redno preverjajte vse komponente in poškodovane komponente nemudoma zamenjajte z identičnimi nadomestnimi deli, navedenimi v tem priročniku. Stopite v stik s storitvijo za kupce EGO ali najbližjim servisnim centrom EGO. Popravila in zamenjave mora izvesti pooblaščen serviser.

- Če se vgrajeno stikalo kosilnice za zaščito pred preobremenitvijo pogosto sproža, stopite v stik s storitvijo za kupce EGO ali najbližjim servisnim centrom EGO.
- Kosilnice ne umivajte s cevjo. Voda naj ne pride v motor ali električne priključke.
- Odstranite ključ in nedejavno kosilnico shranite v notranjost, kadar ni v uporabi. Preden kosilnico shranite v zaprt prostor, naj se motor ohladi. Kosilnica mora biti shranjena na suhem, visokem in zaklenjenem mestu izven dosega otrok.

SL

- Pri servisiranju uporabljajte le identične nadomestne dele, navedene v tem priročniku. Uporaba delov, ki ne izpolnjujejo zahtev originalne opreme, lahko vodi k neprimernemu delovanju in ogroženi varnosti.
- Pred servisiranjem, čiščenjem ali odstranjevanjem materiala iz kosilnice odstranite ali odklopite baterijski sklop.
- Sledite navodilom za menjavo priključkov.
- Ročaji naj bodo suhi, čisti in brez madežev olja ali masti.
- Za zmanjšanje nevarnosti požara, naj bo pokrov motorja brez nanosa trave, listja in delcev.
- Redno preverjajte, ali so vijaki za namestitve rezila in motorja dovolj trdno priviti. Prav tako vizualno preglejte rezilo za poškodbe (npr. upogibanje, razpoke in obrabo). Rezilo zamenjajte le z identičnim nadomestnim rezilom, navedenim v tem priročniku.
- Kosilnico skrbno vzdržujte. Rezilo kosilnice naj bo ostro in čisto za najboljše in najbolj varno delovanje. Rezila kosilnice so ostra in vas lahko urežejo. Rezilo ovijte ali nosite rokavice ter bodite posebej previdni pri servisiranju.
- Varnostnih naprav nikoli ne odstranjujte ali spreminjajte. Redno preverjajte njihovo pravilno delovanje. Nikoli ne naredite ničesar, kar bi vplivalo na namensko funkcijo varnostne naprave ali bi zmanjšalo zaščito, ki jo zagotavlja varnostna naprava.
- Pred prilaganjem kolesa ali višine košnje vedno ustavite motor.
- Če zadenete ob tujek, ustavite motor, odstranite ključ in kosilnico temeljito preglejte za poškodbe. Pred upravljanjem kosilnice popravite poškodbo.
- Vzdržujte ali, če je potrebno, zamenjajte varnostne nalepke in nalepke z navodili. Stopite v stik s storitvijo za kupce EGO ali najbližjim servisnim centrom EGO. Popravila in zamenjave mora izvesti pooblaščen servisier.
- **NAVODILA SHRANITE.** Pogosto jih preberite in jih uporabite za poučevanje drugih, ki uporabljajo to orodje. Če to orodje komu posodite, posodite tudi ta navodila, da tako za preprečite nepravilno uporabo izdelka in možnost poškodb.



UPORABA IN SKRB ZA BATERIJO

- Za ohranjanje naravnih virov, pravilno reciklirajte oziroma odvrzite baterijo. Ta izdelek vsebuje litij-ionske baterije. Lokalni oziroma nacionalni predpisi prepovedujejo odlaganje litij-ionskih baterij med navadne odpadke. Za informacije glede razpoložljivih možnosti za recikliranje in/ali odstranjevanje se obrnite

na lokalne oblasti za ravnanje z odpadki.

- Po odstranitvi baterijskega sklopa za odlaganje ali recikliranje sponke baterijskega sklopa prelepite z odpornim lepilnim trakom. Baterijskega sklopa ne poskušajte uničiti ali razstaviti oziroma odstraniti katerega koli sestavnega dela. Litij-ionske baterije je treba reciklirati ali primerno zavreči. Poleg tega se nikoli ne dotikajte sponk s kovinskimi predmeti in/ali deli telesa, saj lahko pride do kratkega stika. Hranite izven dosega otrok. Če teh opozoril ne upoštevate, lahko pride do požara in/ali hudih poškodb.
- **V NEPRIMERNIH RAZMERAH LAHKO IZ BATERIJE STEČE TEKOČINA. IZOGNITE SE STIKU Z NJO. ČE SE TEKOČINE NEHOTE DOTAKNETE, MESTO DOTIKA SPERITE Z VODO. ČE PRIDE TEKOČINA V STIK Z OČMI, POIŠČITE ZDRAVNIŠKO POMOČ.**
Tekočina, ki izteče iz akumulatorja, lahko povzroči vnetje ali opekline.

TEHNIČNI PODATKI

Številka modela	LM2020E	LM2020E-SP
Samohodni sistem	Ne	Da
Napetost	56 V 	56 V 
Št. vrtiljav v prostem teku	3000 /min	3000 /min
Višina košnje	25-95 mm	25-95 mm
Priporočena delovna temperatura:	Od 0°C do 40°C	Od 0°C do 40°C
Priporočena temperatura za shranjevanje:	Od -20°C do 70°C	Od -20°C do 70°C
Pozicije višine košnje	6	6
Velikost deflektorja	51 cm	51 cm
Širina košnje	50 cm	50 cm
Prostornina vreče za travo	60 L	60 L
Teža kosilnice (brez baterijskega sklopa, vložek za mulčenje)	24,4 kg	27,2 kg
Model rezila	AB2001	AB2001
Izmerjena raven zvočnega tlaka L_{WA}	91,5 dB(A) K=1,80 dB(A)	91,0 dB(A) K=1,89 dB(A)
Raven zvočnega tlaka v ušesu upravljavca L_{PA} K=3 dB(A)	79,5 dB(A)	79,2 dB(A)
Zajamčena raven zvočnega tlaka L_{WA} (izmerjena glede na 2000/14/EC)	93 dB(A)	93 dB(A)

Vibracije a_n $K=1,5 \text{ m/s}^2$	Levi ročaj	$\leq 2,5 \text{ m/s}^2$	$\leq 2,5 \text{ m/s}^2$
	Desni ročaj	$\leq 2,5 \text{ m/s}^2$	$\leq 2,5 \text{ m/s}^2$
Zavora rezila		Da	Da

- Deklarirana skupna vrednost vibracij je bila izmerjena v skladu s standardno preskusno metodo in se lahko uporabi za medsebojno primerjavo različnih orodij.
- Navedena skupna vrednost vibracij se lahko uporabi za predhodne ocene izpostavljenosti.

OPOMBA: Emisije vibracij se lahko med dejansko uporabo električnega orodja razlikujejo od deklarirane vrednosti, pri kateri se orodje uporablja. Z namenom zaščite upravljavca mora uporabnik v dejanskih pogojih uporabe nositi rokavice in zaščito za ušesa.

SEZNAM PAKIRANJA

IME DELA	KOLIČINA
Kosilnica	1
Vreča za travo	1
Okvir vreče za travo	1
Vložek za mulčenje	1
Varnostni ključ	1
Priročnik z navodili za uporabo	1

OPIS

SPNOZNAJTE SVOJ OBREZOVALNIK ŽIVE MEJE (slika

A & B & C)

- Vzvod varnostnega stikala
- Ročaj
- Varnostni gumb
- Sprožilec samohodnega sistema
- Sponka za zaklepanje ročaja
- Vreča za travo
- Vzvod za prilagajanje višine košnje
- Zadnje kolo
- Stranska vrata za izmet
- Pokrov kosilnice
- Žarometi LED
- Pokrov kosilnice
- Sprednje kolo
- Pokrov baterijskega sklopa
- Zadnji ročaj
- Vzvod za hitro prilagajanje

- Zadnja vrata za izmet
- Stranski ročaj
- Vzvod za nadzor hitrosti samohodnega sistema
- Zadnji štيتnik
- Gumb za stikalo delovnih luči LED
- Indikator napajanja
- Gumb za sprostitve baterije
- Reža za varnostni ključ
- Vložek za mulčenje
- Stranski deflektor za izmet

DELOVANJE

NAMEŠČANJE VREČE ZA TRAVO

- Vrečo za travo potisnite na okvir (slika F).
- Zgornje sponke namestite na okvir (slika G), nato namestite dve stranski sponki. Nazadnje namestite spodnjo sponko.
- Na sliki H je prikazana popolnoma nameščena vreča za travo.

PRILAGAJANJE ZLOŽLJIVEGA ROČAJA

⚠ OPOZORILO: Ne poskušajte upravljati kosilnice, dokler ročaj ni zaklenjen v enega izmed dveh prednastavljenih položajev (ZGORNJI POLOŽAJ DELOVANJA ali SPODNJI POLOŽAJ DELOVANJA).

Vaša kosilnica je dobavljena z ročajem v kompaktnem ZAKLENJENEM POLOŽAJU ZA SHRANJEVANJE (slika I).

- Pritisnite in držite vzvod za hitro prilagajanje, da sprostite ročaj iz ZAKLENJENEGA POLOŽAJA ZA SHRANJEVANJE.
- Ročaj dvignite iz zloženega položaja, nato sprostite vzvod. Nežno zavrtite ročaj navzgor, da zaslišite in začutite aktivacijo zaklepne sponke na enem izmed različnih položajev, kot je prikazano na sliki J. Slika J: za opis delov glejte spodaj:

J-1	Zaklenjen položaj za skladiščenje
J-2	Položaj za namestitvev/odstranitvev vreče za travo
J-3	Zgornji položaj delovanja
J-4	Srednji položaj delovanja
J-5	Spodnji položaj delovanja

NAMEŠČANJE/ODSTRANJEVANJE VREČE ZA TRAVO/VLOŽKA ZA MULČENJE

SL

⚠ OPOZORILO: Nikoli ne izvajajte prilagoditev na kosilnici, ne da bi najprej ustavili motor, odstranili varnostni ključ in počakali, da se rezilo preneha vrteti.

OPOMBA: Pred košnjo na kosilnico namestite vse priključke.

■ **Namestitev/odstranitev vreče za travo (slika K)**

Ročaj nastavite v ustrezen položaj za delovanje. Dvignite zadnja vrata za izmet in obesite vrečo za travo na vrtljivo os. Če želite vrečo odstraniti, jo snemite z vrtljive osi. Nato spustite zadnja vrata za izmet.

OPOMBA: Odstranite predhodno nameščen vložek za mulčenje pred namestitvijo vreče za travo.

■ **Namestitev/odstranitev vložka za mulčenje (slika L)**

Dvignite zadnja vrata za izmet in vstavite vložek za mulčenje v kosilnico. Če ga želite odstraniti, ga izvlecite. Nato spustite zadnja vrata za izmet.

■ **Namestitev/odstranitev stranskega deflektorja za izmet (slika M)**

Dvignite stranska vrata za izmet. Poravnajte režo deflektorja za izmet z gumbom vrat za izmet in nežno sprostite stranska vrata za izmet, da se vrtljivo okoli vrtljive osi, dokler čvrsto ne ležijo na deflektorju za izmet. Če jih želite odstraniti, dvignite stranska vrata za izmet, nato pa stranski deflektor za izmet dvignite z gumba sklopa vrat.

Slika M: za opis delov glejte spodaj:

M-1	Stranska vrata za izmet
M-2	Gumb sklopa
M-3	Reža sklopa
M-4	Stranski deflektor za izmet
M-5	Pivot

OPOMBA: vložek za mulčenje mora biti nameščen, če je nameščen stranski deflektor za izmet.

PRILAGAJANJE VIŠINE KOŠNJE (slika N)

⚠ OPOZORILO: Pri prilagajanju višine imejte stopala stran od pokrova. Kosilnico lahko nastavite na 6 različnih višin med 25 mm in 95 mm. Izberite primerno višino košnje glede na tip in stanje trave.

OPOMBA: Pri premikanju orodja poskrbite, da je višina košnje nastavljena na položaj 3 ali višje. V nasprotnem primeru lahko poškodujete rezilo.

NAMEŠČANJE/ODKLAPLJANJE BATERIJSKEGA SKLOPA (slika O)

Napravo uporabljajte le z akumulatorskimi baterijami in polnilniki, navedenimi v sliki A.

PRED PRVO UPORABO GA NAPOLNITE.

⚠ OPOZORILO: Če je kateri izmed delov zlomljen ali manjka, baterijskega sklopa ne poskušajte namestiti v kosilnico ali upravljati kosilnice, dokler ne nadomestite zlomljenega ali manjkajočega dela. Neupoštevanje tega nasveta se lahko odrazi v hudih poškodbah.

■ **Namestitev**

Baterijski sklop potisnite v prostor za baterijo, da zaslišite klik..

■ **Odklop**

V prostoru za baterijo pritisnite gumb za sprostitev baterije.

Slika O: za opis delov glejte spodaj:

O-1	Reža za varnostni ključ
O-2	Varnostni ključ
O-3	Gumb za sprostitev baterije

OPOMBA: Pred začetkom upravljanja se prepričajte, da se zaklep na kosilnici zaskoči na mesto in da je baterijski sklop pritrjen na kosilnico.

ZAGON/ZAUSTAVITEV KOSILNICE

⚠ OPOZORILO: Delovanje katere koli kosilnice lahko povzroči metanje tujkov v vaše oči, kar lahko povzroči resne poškodbe očesa. Pri upravljanju kosilnice, izvajanju nastavitvev ali popravi vedno nosite zaščitna očala.

⚠ OPOZORILO: Poskrbite, da bodo drugi ljudje in hišni ljubljenci vsaj 30 m stran od kosilnice, ko je v uporabi.

⚠ OPOZORILO: Po izključitvi kosilnice se bo rezilo še naprej vrtilo nekaj sekund. Pustite, da se motor/rezilo ustavi, pred ponovnim zagonom. Kosilnice ne vključujte in izključujte hitro.

VARNOSTNI KLJUČ

Da preprečite nenameren zagon ali nepooblaščen uporabo kosilnice, je bil v kosilnico vgrajen odstranljivi varnostni ključ. Ko boste varnostni ključ odstranili iz kosilnice, bo kosilnica popolnoma onemogočena.

⚠ NEVARNOST: Vrteča rezila lahko povzročijo resne poškodbe. Da preprečite resne poškodbe, odstranite varnostni ključ, ko kosilnica ni pod nadzorom, pri izvajanju prilagajan, čiščenju, servisiranju, transportu, dvigovanju ali shranjevanju kosilnice.

OPOMBA: Motor se ne more zagnati, razen:

- Ročaj je zaklenjen v enem izmed treh položajev za delovanje, glejte razdelek NASTAVLJANJE ZLOŽLJIVEGA ROČAJA.
- Stranski ročajji so popolnoma iztegnjeni (slika P).
- Obe sponki za zaklep zelenega ročaja sta varno zaprti (slika Q).

Q-1 Navedba vrstica

SVARILO: Ne poskušajte obiti delovanja varnostnega gumba in varnostnega stikala.

Zagon

- 1) Baterijski sklop namestite na kosilnico, vstavite varnostni ključ v režo za ključ in zaprite pokrov baterije (slika O).
- 2) V skladu s sliko R pritisnite varnostni gumb navzdol.
- 3) Ko je varnostni gumb pritisnjen, potegnite vzvod varnostnega stikala navzgor k ročaju ter sprostite varnostni gumb.

Zaustavitev

- 1) Popolnoma sprostite vzvod varnostnega stikala.
- 2) Električna zavora v avtomatskem zavornem mehanizmu bo rezilo ustavila v 3 sekundah po sprostitvi vzvoda varnostnega stikala.

SAMOHODNI SISTEM S SPREMLJIVO HITROSTJO

Kosilnica LM2020E-SP je opremljena s samohodno sposobnostjo s spremenljivo hitrostjo. Ta sistem je neodvisen od stikala za vklop/izklop rezila in ni odvisen od vrtenja rezila.

Za upravljanje sistema brez vrtenja rezila povlecite sprožilec samohodnega sistema k ročaju.

Za izklop samohodnega sistema sprostite sprožilec samohodnega sistema.

Sistem ima spremenljivo hitrost. Za povečanje hitrosti pomaknite vzvod za nadzor hitrosti samohodnega sistema naprej. Za zmanjšanje hitrosti pomaknite vzvod za nadzor hitrosti samohodnega sistema nazaj (slika T).

Za upravljanje z vrtečim rezilom za košnjo:

1. Zaženite kosilnico.
2. Medtem ko z levo roko držite vzvod varnostnega stikala ob ročaju, z desno povlecite sprožilec samohodnega sistema do ročaja.
3. Z desno roko ob ročaju hkrati držite vzvod varnostnega stikala in sprožilec samohodnega sistema, levo roko pa uporabite za nastavitev vzvoda za nadzor hitrosti samohodnega sistema, da izberete željeno hitrost.

OPOZORILO: Da se izognete tveganju za poškodbe, nikoli ne poskušajte obiti delovanja stikala ali samohodnega sistema. Samohodni sistem uporabljajte za predpisan namen.

ŽAROMETI LED (slika A-13)

Pritisnite gumb stikala (Slika C-22) za vklop/izklop žarometov LED v sprednjem delu prostora za baterijo.

INDIKATOR NAPAJANJA NA KOSILNICI (slika U)

Kosilnica je opremljena z indikatorjem napajanja, ki nakazuje stanje napoljenosti baterijskega sklopa in delovno stanje kosilnice. Indikator napajanja bo svetil, ko se bo rezilo vrtelo ali ko bodo delovne luči LED vklopljene.

Indikator napajanja na kosilnici	Pomen	Dejanje
Sveti zeleno	Kosilnica deluje pravilno, baterija je napolnjena na vsaj 15 %.	ni na voljo
Sveti rdeče	Nizek nivo	Ustavite kosilnico in napolnite baterijski sklop.
Utripa rdeče	Baterija je skoraj prazna.	Ustavite kosilnico in napolnite baterijski sklop.
Sveti oranžno	Kosilnica ali baterijski sklop je pregret.	Iz kosilnice odstranite baterijo, postavite ju v senco in ju vsaj 15 minut ohlajajte.
Utripa oranžno	Kosilnica je preobremenjena.	Upočasnite tempo ali dvignite višino košnje, da zmanjšate obremenitev.

SL

ZAŠČITA KOSILNICE PRED PREOBREMITVJO

Da preprečite preobremenitev, ne poskušajte pokositi preveč trave naenkrat. Upočasnite tempo košnje ali povečajte višino košnje.

Vaša kosilnica ima vgrajeno zaščitno vezje pred preobremenitvijo. Ko je kosilnica preobremenjena, se bo motor ustavil, indikator napajanja na kosilnici pa bo utripal oranžno. Iz kosilnice odstranite baterijski sklop. Preverite, če se je pod pokrovom nabrala trava, ter jo očistite, če je treba. Nato namestite baterijo in ponovno zaženite kosilnico.

ZAŠČITA BATERIJE PRED VISOKO TEMPERATURO

Baterijski sklop med delovanjem ustvarja toploto. Toplota v vročem vremenu izginja počasneje. Če temperatura baterije preseže 70 °C med delovanjem, bo zaščitno vezje kosilnico samodejno izključilo, da bo tako baterijski sklop zaščitilo pred poškodbami. Indikator napajanja na kosilnici bo svetil oranžno in lučka LED na bateriji bo utripala oranžno. Sprostite vzvod varnostnega stikala, počakajte, da se baterijski sklop ohladi na približno 67 °C, nato kosilnico ponovno zaženite.

VZDRŽEVANJE

⚠ OPOZORILO: Da se izognete resni telesni poškodbi, pred čiščenjem, vzdrževanjem ali transportom kosilnice, vedno odstranite varnostni ključ iz kosilnice.

⚠ OPOZORILO: Pri servisiranju uporabljajte le identične nadomestne dele. Uporaba drugih delov je tvegana in lahko povzroči škodo na izdelku. Za zagotovitev varnosti in zanesljivosti mora vsa popravila in zamenjave izvesti usposobljen serviser.

ČIŠČENJE KOSILNICE

OPOZORILO: pri servisiranju ali transportu kosilnice vedno odstranite varnostni ključ in baterijski sklop.

Spodnjo stran pokrova kosilnice morate očistiti po vsaki uporabi, saj se tam nabirajo ostanki trave, listje, umazanija in drugi delci.

Odstranite ostanke trave in listja na ter okoli pokrova motorja (ne uporabljajte vode). Kosilnico obrišite s suho krpo.

ODSTRANJEVANJE/NAMEŠČANJE REZILA

⚠ OPOZORILO: Pri izvajanju vzdrževanja na rezilu kosilnice dlani vedno zaščitite z robustnimi rokavicami ali robove rezila ovijte s krpami ali drugim materialom. Pri servisiranju ali transportu kosilnice vedno odstranite varnostni ključ in baterijski sklop.

■ Odstranitev rezila

■ **OPOMBA:** Če se vijak vrti z gredjo motorja, ko odvijate vijak, z roko zasučite ventilator, da luknje v ventilatorju poravnate z luknjami v rezilu, v poravnane luknje pa namestite drugo kovinsko palico.

■ Namestitev rezila

Sledite postopku nameščanja na sliki V. Ventilator rezila obrnite proti pokrovu in izboklino na rezilu proti zunanjemu delu. Rezilo poravnajte skozi luknje v ventilatorju z luknjami v rezilu (slika X), nato rezilo privijte, kot prikazuje slika X.

■ Slika V & W: za opis delov glejte spodaj:

V-1	Stabilizator1	V-5	Notranja prirobnica
V-2	Stabilizator2	W-1	Rezilo
V-3	14-mm ključ	W-2	Zunanja prirobnica
V-4	Ventilator	W-3	Vijak

OPOMBA: Priporočen navor za privijte vijaka rezila je 49–59 Nm.

SHRANJEVANJE KOSILNICE

- Iz kosilnice odstranite baterijski sklop in kosilnico shranite v hladnem, suhem in čistem prostoru. Ne shranjujte je v bližini korozivnih materialov, kot so gnojila ali kamena sol.
- Kosilnico shranite v pokrit in zaprt prostor, ki je hladen in suh ter izven dosega otrok.
- Kosilnice ne pokrivajte s plastično folijo. Plastična pokrivala ujamejo vlago okoli kosilnice, kar povzroči rjavenje in korozijo.
- Kosilnico lahko shranite v pokončnem ali ležečem položaju (slika Z).

⚠ OPOZORILO: Če se kosilnica obrne iz pokončnega položaja, lahko pride do poškodb kosilnice ali telesnih poškodb. Ko je kosilnica v pokončnem položaju, poskrbite, da bo stabilna in izven dosega otrok. Če je mogoče, jo shranjujte v ležečem položaju.

Varovanje okolja

Električne opreme, polnilnika baterij in baterij/baterij, ki jih je mogoče polniti, ne odvrzite med gospodinjske odpadke!

V skladu z evropskim zakonom 2012/19/EU glede električne in elektronske opreme, ki ni več uporabna, in v skladu z evropskim zakonom 2006/66/EC glede pokvarjenih ali izrabljenih baterijskih sklopov/baterij, je treba baterije zbrati ločeno.

Če električne naprave odvržete na smetišča, lahko nevarne snovi pronicajo v podtalnico in tako pridejo v prehranjevalno verigo, s čimer ogrozijo vaše zdravje in dobro počutje.

SL

ODPRAVLJANJE TEŽAV

⚠ OPOZORILO: Pri servisiranju ali transportu kosilnice vedno odstranite varnostni ključ in baterijski sklop. Pri izvajanju vzdrževanja na rezilu kosilnice dlani vedno zaščitite z robustnimi rokavicami ali robove rezila ovijte s krpami ali drugim materialom.

TEŽAVA	VZROK	REŠITEV
Kosilnica se ne zažene.	<ul style="list-style-type: none"> ■ Baterijski sklop je izprazen. ■ Baterijski sklop ni nameščen na mesto v prostoru za baterije. ■ Baterija ali vezje kosilnice je prevročje. (Indikator napajanja na kosilnici bo 10 sekund svetil oranžno.) ■ Stranska ročaja nista iztegnjena do največje dolžine in sponke niso v zaklenjenem položaju. ■ Ročaj ni nastavljen v enega izmed dveh položajev za delovanje. ■ Pokrov kosilnice je zamašen s travo in delci. 	<ul style="list-style-type: none"> ■ Napolnite baterijski sklop. ■ Baterijski sklop pritrdite na kosilnico; Baterijski sklop potisnite navzdol, da zaslišite klik. ■ Baterijski sklop ali kosilnico ohladite do temperature, ki je nižja od 67°C. ■ Popolnoma iztegnite ročaj in zaklenite obe sponki. ■ Ročaj nastavite v enega izmed obeh položajev za delovanje. ■ Očistite pokrov kosilnice in se prepričajte, da ima rezilo prostor za premikanje.
Kosilnica ne kosi enakomerno.	<ul style="list-style-type: none"> ■ Rezilo je topo. ■ Višina košnje ni pravilno nastavljena. ■ Rezilo ni pravilno nameščeno. 	<ul style="list-style-type: none"> ■ Naostrite ali zamenjajte rezilo. ■ Pokrov dvignite na višjo nastavitev košnje. ■ Ponovno namestite rezilo, pri tem pa sledite navodilom v razdelku »NAMEŠČANJE REZILA« v tem priročniku.
Kosilnica se med košnjo ustavi.	<ul style="list-style-type: none"> ■ Baterijski sklop je izprazen. ■ Kosilnica je preobremenjena. ■ Pokrov kosilnice je zamašen s travo in delci. ■ Baterija ali vezje kosilnice je prevročje. (Indikator napajanja na kosilnici bo 10 sekund svetil oranžno.) ■ Stranski ročaj je nekoliko znižan zaradi potisne sile na ročaju. 	<ul style="list-style-type: none"> ■ Napolnite baterijski sklop. ■ Zvišajte višino košnje ali upočasnite košnjo. ■ Očistite pokrov kosilnice. Zvišajte višino košnje ali kosite ozko območje. ■ Baterijski sklop ali kosilnico ohladite do temperature, ki je nižja od 67°C. ■ Odklenite sponke. Popolnoma iztegnite stranske ročaje in ponovno zaklenite sponke.

SL

TEŽAVA	VZROK	REŠITEV
Kosilnica ne mulči pravilno.	<ul style="list-style-type: none"> ■ Drobcji mokre trave so se nalepili na spodnjo stran pokrova. ■ Kosilnica je nastavljena tako, da kosi preveč trave naenkrat. 	<ul style="list-style-type: none"> ■ Pred košenjem počakajte, da se trava posuši. ■ Pokrov dvignite na višjo nastavitvev košnje.
Prihaja do pretiranih vibracij.	<ul style="list-style-type: none"> ■ Rezilo je zrahljano. ■ Rezilo ni uravnovešeno. ■ Rezilo je upognjeno. ■ Gred motorja je upognjena. 	<ul style="list-style-type: none"> ■ Privijte vijak rezila. ■ Uravnovesite rezilo v skladu z navodili. ■ Zamenjajte rezilo. ■ Obrnite se na servisni center.
Sponk za zaklepanje ročajev ni mogoče zakleniti v položaj.	<ul style="list-style-type: none"> ■ Stranska ročaja nista popolnoma iztegnjena. 	<ul style="list-style-type: none"> ■ Popolnoma iztegnite stranske ročaje in zaklenite sponke.

GARANCIJA

GARANCIJSKA POLITIKA DRUŽBE EGO

Za popolne pogoje garancijske politike družbe EGO obiščite spletno stran egopowerplus.com.

SL

PERSKAITYKITE VISAS INSTRUKCIJAS!



SKAITYTI OPERATORIAUS VADOVĄ

⚠️ ĮSPĖJIMAS: Norint užtikrinti saugų ir patikimą gaminio naudojimą, visus remonto ir keitimo darbus turi atlikti kvalifikuotas techninės priežiūros specialistas.

Numatytoji paskirtis ir galimas netinkamas naudojimas. Šis gaminys skirtas tik vežti namų soduose. Juo negalima pjauti neįprastai aukštos, sausos arba šlapios žolės, pvz., ganyklos pievos, arba smulkinti lapų. Šį gaminį reikia naudoti tik pagal nurodytą paskirtį. Naudojimas bet kokių kitu tikslu laikomas netinkamu naudojimui.

SAUGOS SIMBOLIAI

Šių simbolių paskirtis – atkreipti dėmesį į galimus pavojus. Gerai susipažinkite su saugos simboliais bei jų paaiškinimais ir juos įsidėmėkite. Simbolių įspėjimai patys savaime negali apsaugoti nuo pavojų. Jais žymimi nurodymai ir įspėjimai neatstoja tinkamų nelaimingų atsitikimų prevencijos priemonių.

⚠️ ĮSPĖJIMAS: Prieš pradėdami naudoti šį gaminį perskaitykite visus šioje naudojimo instrukcijoje pateiktus saugos nurodymus, taip pat susipažinkite su visais saugos įspėjamaisiais simboliais, tokiais kaip „**PAVOJUS**“, „**ĮSPĖJIMAS**“, ir „**PERSPĖJIMAS**“, ir įsitikinkite, kad juos supratote. Nesilaikant visų toliau išdėstytų nurodymų galima patirti elektros smūgį, sukelti gaisrą ir (arba) sunkiai susižeisti.

LT

SIMBOLIO REIŠMĖ

SAUGOS ĮSPĖJAMASIS SIMBOLIS: nurodo **PAVOJŲ, ĮSPĖJIMĄ**, arba **PERSPĖJIMĄ**. Gali būti panaudotas su kitais simboliais arba piktogramomis.

⚠️ ĮSPĖJIMAS: naudojant bet kokius elektrinius įrankius gali būti išsviesti ir pataikyti į akis pašaliniai objektai, galintys sunkiai sužaloti akis. Prieš pradėdami naudoti elektros prietaisą, visada užsidėkite apsauginius akinius arba apsauginius akinius su šonine apsauga ir, kai reikia, visą veidą dengiantį skydelį. Rekomenduojame naudoti platų matymo lauką užtikrinančią apsauginę kaukę ant akinių arba standartinius apsauginius akinius su šonine apsauga.

SAUGOS NURODYMAI

Šiame puslapyje pavaizduoti ir aprašyti saugos simboliai, kurių gali būti ant šio gaminio. Prieš bandydami surinkti ir naudoti įrenginį, perskaitykite visus ant jo pateiktus nurodymus, įsitikinkite, ar juos supratote, ir jais vadovaukitės.

	Saugos įspėjimas	Atsargumo priemonės, skirtos užtikrinti jūsų saugumą.
	Perskaitykite naudojimo instrukciją	Kad sumažintų pavojų susižaloti, naudotojas turi perskaityti naudojimo instrukciją ir įsitikinti, ar ją suprato.
	Saugokitės aštrių peilių	Išjungus variklį, peiliai toliau sukasi – išimkite išjungimo įtaisą prieš atlikdami techninės priežiūros darbus. Išjunkite įrenginį ir išimkite išimamąjį akumuliatorių (arba išjungimo įtaisą) prieš reguliuodami arba valydami.
	Neleiskite artintis pašaliniais asmenims	Užtikrinkite, kad kiti žmonės ir augintiniai būtų ne mažesniu nei 30m atstumu nuo vejąpovės, kai ji naudojama.
	Laikykitės kojų ir rankų	Laikykitės kojų ir rankų
	CE	Šis gaminys atitinka taikomas EB direktyvas.
	UKCA	Šis gaminys atitinka jam taikomus JK reglamentus.
	WEEE	Elektros prietaisų atliekas draudžiama išmesti kartu su buitinėmis atliekomis. Perduoti įgaliotam perdirbėjui.
	Triukšmas	Garantuojamas garso galios lygis. Triukšmo sklaida į aplinką atitinka Europos Bendrijos direktyvą.
	IP simbolis	4 klasės apsauga nuo vandens patekimo.
	Volts	Įtampa
	Amperas	Srovė
	Hercas	Dažnis (ciklai per sekundę)
	Vatas	Galia

min	Minutės	Laikas
	Kintamoji elektros srovė	Srovės tipas
	Nuolatinė elektros srovė	Srovės tipas arba charakteristika
n_0	Sūkių be apkrovos	Sukimosi greitis, kai nėra apkrovos
.../min	Per minutę	Apsisukimai per minutę

BENDRIEJI ELEKTRINIO ĮRANKIO SAUGOS NURODYMAI

⚠ ĮSPĖJIMAS: PERSKAITYKITE IR PERŽIŪRĖKITE VISUS SU ŠIUO ELEKTRINIŲ ĮRANKIŲ PATEIKTUS SAUGOS NURODYMUS, INSTRUKCIJAS, ILIUSTRACIJAS IR SPECIFIKACIJAS. Nesilaikant visų toliau išdėstytų nurodymų galima patirti elektros smūgį, sukelti gaisrą ir (ar) sunkiai susižaloti.

ĮSAUGOKITE VISAS INSTRUKCIJAS SU ĮSPĖJIMAIS, NES JŲ GALI PRIREIKTI ATEITYJE.

Įspėjimuose vartojamu terminu „elektrinis įrankis“ nurodomas iš elektros lizdo maitinamas (laidinis) arba baterija maitinamas (belaidis) elektrinis įrankis.

DARBO VIETOS SAUGA

- Darbo vieta turi būti švari ir gerai apšviesta. Jei darbo vieta netvarkinga ar blogai apšviesta, gali įvykti nelaimingas atsitikimas.
- Nedirbkite su elektros prietaisu sprogoje aplinkoje, pavyzdžiui, ten, kur yra degių skysčių, dujų arba dulkių. Elektriniai įrankiai gali kibirkščiuoti, o nuo kibirkščių gali užsidegti dulkės arba susikaupę garai.
- Dirbdami su elektriniu įrankiu, neleiskite artintis vaikams ir pašaliniais asmenims. Dėl dėmesio blaškymo galite nesuvaldyti įrankio.

ELEKTROSAUGA

- Elektrinio įrankio kištukas turi tikti elektros lizdai. Niekada joku būdu neperdarykite kištuko. Įžemintiems elektriniams įrankiams nenaudokite jokių kištukų adapterių. Originalūs kištukai ir jiems tinkantys elektros lizdai sumažina pavojų patirti elektros smūgį.
- Nesilieskite prie žemintų paviršių, pavyzdžiui, vamzdžių, radiatorių, viryklių ir šaldytuvų. Jei jūsų kūnas bus įžemintas, padidės elektros smūgio pavojus.

- Saugokite elektrinius įrankius nuo lietaus ir drėgmės. Į elektrinio įrankio vidų patekus vandens padidėja elektros smūgio pavojus.
- Atsargiai elkitės su laidu. Niekada neneškite ir netempkite elektrinio įrankio, laikydami už maitinimo laido. Netraukite laikydami už maitinimo laido, norėdami ištraukti kištuką iš elektros lizdo. Saugokite laidą nuo kaitros šaltinių, alyvos, aštrių briaunų ir judančių dalių. Pažeidus arba supainiojus laidus, kyla didesnis pavojus patirti elektros smūgį.
- Naudodamiesi elektriniu įrankiu lauke, naudokite laukui skirtą laido ilgintuvą. Naudojant laukui skirtą maitinimo laidą, sumažėja pavojus patirti elektros smūgį.
- Jeigu elektrinio įrankio naudojimas drėgnoje vietoje yra neišvengiamas, naudokite maitinimo šaltinį su liekamąja srove valdomu atjungimo įtaisu (RCD). RCD naudojimas sumažina elektros smūgio pavojų.

ASMENINĖ SAUGA

- Dirbdami su elektriniu įrankiu, būkite budrūs, stebėkite, ką darote, ir vadovaukitės sveika nuovoka. Nedirbkite su prietaisu, jei esate pavargę arba vartojote narkotikus, alkoholį ar medikamentus. Dirbant su elektros prietaisais užtenka vienos neatidumo akimirkos ir galima sunkiai susižeisti.
- Naudokite asmens apsaugos priemones. Visada būkite su apsauginiais akiniais. Tinkamomis sąlygomis naudojamos apsaugos priemonės, pvz., respiratorius, neslidūs apsauginiai batai, šalmas arba ausinės, sumažina pavojų susižaloti.
- Apsisaugokite nuo atsitiktinio įrankio įsijungimo. Prieš jungdami prie maitinimo šaltinio ir (ar) sudėtinės baterijos, prieš įrankį keldami arba nešdami įsitikinkite, kad jungiklis yra išjungimo padėtyje. Nešant elektrinius įrankius uždėjus pirštą ant jungiklio arba netyčia įjungiant elektrinį įrankį su įjungtu jungikliu, gali įvykti nelaimingas atsitikimas.
- Prieš įjungdami elektrinį įrankį, patraukite į šalį visus reguliavimo raktus ir veržliarakčius. Elektrinio įrankio sukamojoje dalyje likus raktui ar veržliarakčiui galima susižeisti.
- Nesistenkite pasiekti pernelyg toli. Visada stovėkite tvirtai ir išlaikykite pusiausvyrą. Tuomet geriau suvaldysite elektrinį įrankį netikėtose situacijose.
- Dėvėkite tinkamus drabužius. Nedėvėkite laisvų drabužių ir nenešioti laisvai kabančių papuošalų. Saugokite plaukus, drabužius ir pirštines nuo sukamųjų prietaiso dalių. Laisvus drabužius, papuošalus ar ilgus plaukus gali įtraukti besisukančios dalys.

LT

- Jei yra įtaisai, skirti dulkių išsiurbimo ir surinkimo įtaisams prijungti, tinkamai juos prijunkite ir naudokite. Naudojant dulkių filtravimo įtaisus galima sumažinti kenksmingą dulkių poveikį.
- Dažnai naudodami įrankius pernelyg savimi nepasitikėkite ir nepraraskite budrumo, kad paisytumėte saugaus įrankio naudojimo taisyklių. Užtenka akimirkos, kad dėl neatsargaus veiksmo sunkiai susižalotumėte.

ELEKTRINIŲ ĮRANKIŲ NAUDOJIMAS IR PRIEŽIŪRA

- Elektrinio įrankio pernelyg nespauskite. Naudokite jūsų darbui tinkamą elektrinį įrankį. Veikdamas numatytuju greičiu, tinkamas elektrinis įrankis darba atlieka veiksmingiau ir saugiau.
- Nenaudokite elektrinio įrankio, jeigu jo negalima įjungti ar išjungti jungikliu. Bet koks elektrinis įrankis, kurio jungiklis neveikia, yra pavojingas, tad jį būtina sutaisyti.
- Prieš atlikdami bet kokius elektrinių įrankių derinimo, priedų keitimo arba sandėliavimo darbus, atjunkite kištuką nuo maitinimo šaltinio ir (ar) sudėtinę bateriją nuo elektrinio įrankio. Ši saugumo priemonė apsaugos jus nuo netyčinio elektrinio įrankio jungimo.
- Nenaudojamus elektrinius įrankius laikykite vaikams neprieinamoje vietoje. Su elektriniu įrankiu neieškite dirbti asmenims, nesusipažinusiems su įrankiu arba šia instrukcija. Neapmokytų naudotojų naudojami elektriniai įrankiai kelia pavojų.
- Tinkamai prižiūrėkite elektrinius įrankius ir jų priedus. Patikrinkite, ar sukamos dalys išcentruotos ir nestringa, ar nėra sulūžusių dalių ir kitų sąlygų, galinčių turėti įtakos elektrinio įrankio veikimui. Jei elektrinis įrankis sugedęs, prieš naudodami jį suremontuokite. Daugelio nelaimingų atsitikimų priežastis yra netinkama elektrinių įrankių priežiūra.
- Pjovimo įrenginiai turi būti aštrūs ir švarūs. Tinkamai prižiūrėti pjovimo įrankiai aštriais ašmenimis rečiau stringa ir lengviau valdomi.
- Elektrinį įrankį, priedus, antgalius ir kitas dalis naudokite pagal šią instrukciją, atsižvelgdami į darbo sąlygas ir atliekamą darbą. Naudojant elektrinius įrankius ne pagal paskirtį gali susidaryti pavojingos situacijos.
- Įrankių rankenos ir sugriebimo paviršiai turi būti sausi, švarūs ir neištepti alyva ar tepalu. Dėl slidžių rankenų ir sugriebimo paviršių įrankį gali būti nesaugu naudoti ir (ar) galima jo nesuvaldyti.
- Pakartotiniai kraukite tik naudodami gamintojo nurodytą įkroviklį. Naudojant įkroviklį, skirtą kito tipo sudėtinėi baterijai, gali kilti gaisro pavojus.
- Elektrinius įrankius naudokite tik su jiems skirtomis sudėtinėmis baterijomis. Naudojant kitokias sudėtines baterijas gali kilti sužalojimų ir gaisro pavojus.
- Nenaudojama sudėtinė baterija turi būti laikoma atokiau nuo metalinių daiktų, tokių kaip sąvaržėlės, monetos, raktai, vinys, varžtai ar kiti smulkūs metaliniai daiktai, galintys sujungti abu baterijos gnybtus. Įvykus trumpajam jungimui tarp baterijos gnybtų galima nusidegini ar gali kilti gaisras.
- Dėl netinkamų sąlygų iš baterijos gali ištėkėti skystis – nelieskite jo. Skysčiai atsitiktinai patekus ant odos, nedelsiant nuplaukite vandeniu. Jeigu skystis pateko į akis, papildomai kreipkitės pagalbos į gydytojus. Iš baterijos ištėkėjęs skystis gali dirginti arba nudeginti.
- Nenaudokite pažeistos ar modifikuotos sudėtinės baterijos ar įrankio. Tokios netinkamos sudėtinės baterijos gali kelti gaisro, sprogo ar sužalojimo pavojų.
- Sudėtinės baterijos ar įrankio negalima deginti ar kaitinti. Bateriją deginant ar įkaitinus virš 130 °C ji gali sprogti.
- Laikykitės įrankio ar sudėtinės baterijos įkrovimo instrukcijų ir įkrovimą vykdykite nurodytame temperatūrų diapazone. Priešingu atveju galite sugadinti sudėtinę bateriją ar net sukelti gaisrą.

TECHNINĖ PRIEŽIŪRA

- Jūsų elektrinio įrankio techninės priežiūros darbus gali vykdyti tik kvalifikuotas remonto meistras, naudodamas tik identiškas atsargines dalis. Taip bus užtikrinta, jog elektrinis įrankis išliks saugus.
- Niekada neremontuokite sugadintos sudėtinės baterijos. Tokias baterijas remontuoti gali tik gamintojas arba įgalioto techninės priežiūros centro specialistai.

AKUMULIATORINEI VEJAPJOVEI TAIKOMOS SAUGOS TAISYKLĖS

▲ PAVOJUS. Šis įrenginys pagamintas naudoti laikantis saugaus naudojimo taisyklių, aprašytų šioje instrukcijoje. Kaip ir naudojant kitokią elektros įrangą, operatoriaus neatsargumas arba klaida gali lemti sunkų susižalojimą. Šis įrenginys gali sužaloti rankas ir kojas, išsviesti daiktus. Nesilaikant visų saugos nurodymų, galima sunkiai arba mirtinai sužaloti.

AKUMULIATORINIŲ ĮRANKIŲ NAUDOJIMAS IR PRIEŽIŪRA

⚠️ ĮSPĖJIMAS. Naudodami akumulatorines veļapjoves, visada imkitės svarbiausių atsargumo priemonių, kad sumažintumėte gaisro, elektros smūgio ir susižalojimo pavojų.

SVARBU

ATIDŽIAI PERSKAITYKITE PRIEŠ NAUDOJIMĄ. IŠSAUGOKITE VĖLESNIAM NAUDOJIMUI.

AKUMULATORINĖMS VEĖAPJOVĖMS TAIKOMOS SAUGOS TAISYKLĖS

PERSPĖJIMAS – NELIESKITE BESISUKANČIO PEILIO!

MOKYMAS

- Atidžiai perskaitykite instrukciją. Susipažinkite su valdymo prietaisais ir tinkamo prietaiso naudojimo nurodymais.
- Įrankio niekada neleiskite naudoti asmenims arba vaikams, nesusipažinusiems su šia instrukcija. Vietiniai teisės aktai gali riboti operatoriaus amžių.
- Niekada nepjaukite veļos, kai netoliese yra žmonių, ypač vaikų, arba augintinių.
- Operatorius arba naudotojas atsako už nelaimingus atsitikimus ir pavojus, keliamus kitiems žmonėms ir jų nuosavybei.

PASIRUOŠIMAS

- Pjaudami veļą, visada avėkite tvirtą avalynę ir vilkėkite ilgas kelnes.
- Nenaudokite įrenginio būdami basi arba avėdami sandalus atviru priekiu. Stenkitės nevilkėti drabužių, kurie yra laisvi arba kurie turi kabančių raištelį.
- Atidžiai apžiūrėkite vietą, kurioje ketinate naudoti įrenginį, ir pašalinkite visus akmenis, pagaliukus, vielas, kaulus ir kitus pašalinius daiktus.
- Prieš naudodami, visada apžiūrėkite, ar peiliai, jų varžtai ir pjoviklio mazgas nėra susidėvėję arba pažeisti. Susidėvėjusius arba pažeistus peilius ir varžtus keiskite kaip rinkinį, kad išlaikytumėte subalansavimą. Pakeiskite pažeistus arba nebeįskaitomus lipdukus.

NAUDOJIMAS

- Veļą pjaukite tik dieną arba esant tinkamam dirbtiniam apšvietimui.
- Kai įmanoma, stenkitės nenaudoti įrenginio šlapioje žolėje.
- Ant šlaitų visada stovėkite tvirtai.
- Eikite ir niekada nebėkite.
- Naudodami rotacines veļapjoves su ratukais, veļą visada pjaukite skersai nuožulnios vietos, o ne kildami aukštyn ir leisdami žemyn.

- Būkite itin atsargūs, kai keičiate kryptį ant šlaito.
- Nepjaukite veļos stačiuose šlaituose.
- Būkite itin atsargūs, kai einate atbulomis arba traukiate įrenginį link savęs.
- Sustabdykite peilį (-ius), kai įrenginį reikia pakreipti, kad būtų galima perstumti per paviršų, kuriame nėra žolės, ir kai stumiate įrenginį į vietą, kurioje pjausite veļą, arba iš jos.
- Niekada nenaudokite įrenginio, kai saugos priemonės ar skydeliai sugadinti arba kai saugos įtaisai, pvz., kreiptuvai ir (arba) žolės gaudyklės, neuždėti.
- Variklį įjunkite laikydami nurodymų ir kojas laikydami atokiau nuo peilio (-ių).
- Įjungdami variklį nepakreipkite įrenginio, išskyrus atvejus, kai jį būtina pakreipti, kad būtų galima paleisti. Minėtuoj atveju pakelkite tik tiek, kiek tikrai reikia, ir kelkite tik tą dalį, kuri yra priešingoje pusėje nei operatorius. Prieš nuleidžiant įrenginį ant žemės, abi rankos visada privalo būti darbinėje padėtyje. Nepaleiskite įrenginio, stovėdami priešais išmetimo angą.
- Nedėkite rankų ir kojų arti besisukančių dalių arba po jomis. Dirbant su rotacinėmis veļapjovėmis, reikia visada laikytis atokiau nuo išmetimo angos.
- Niekada nekelkite ir neneškite įrenginio, kai variklis veikia.
- Prieš reguliuodami arba valydami veļapjovę, ją išjunkite, išimkite akumuliatorių (arba išjungimo įtaisą) ir įsitinkinkite, kad visos judančios dalys visiškai sustojo:
 - kai paliekate veļapjovę be priežiūros;
 - prieš pašalindami užstrigimo priežastį arba pašalindami kanale susidariusį kamštį;
 - prieš tikrindami, valydami įrankį arba dirbdami prie jo;
 - kludę pašalinį objektą. Patikrinkite, ar įrenginys nepažeistas, ir, jei reikia, sutaisykite.
- Jei įrenginys pradeda neįprastai vibruoti (patikrinkite nedelsdami):
 - patikrinkite, ar nėra pažeidimų;
 - pakeiskite arba suremontuokite visas pažeistas dalis;
 - patikrinkite, ar nėra atsilaisvinusių dalių, ir jas priveržkite.

TECHNINĖ PRIEŽIŪRA IR LAIKYMAS

- Reguliuodami įrenginį, būkite atsargūs, kad pirštai neįstrigtų tarp sukamųjų peilių ir nejudamųjų įrenginio dalių.
- Priveržkite visas varžles, varžtus ir sraigtus, kad įrenginį būtų saugu naudoti.
- Dažnai tikrinkite, ar žolės gaudyklė nesusidėvėjusi arba nesugadinta.

LT

- Kad užtikrintumėte saugumą, pakeiskite susidėvėjusias arba pažeistas dalis.
- Vaikai gali valyti prietaisą ir atlikti prietaiso priežiūros darbus tik prižiūrimi.
- Atlikdami peilių techninės priežiūros darbus, atminkite, kad peiliai gali pasisukti net ir išjungus maitinimo šaltinį.
- Naudodami rotacines vejjapjovės, užtikrinkite, kad pjaunamosios dalys būtų keičiamos tik tinkamo tipo atsarginėmis dalimis.

ASMENINĖ SAUGA

Jei operatorius nebus budrus, kai netoliese yra vaikų, gali įvykti nelaimingas atsitikimas. Vaikus dažnai traukia vejjapjovės ir vejos pjovimas. Tačiau jie nesuvokia gresiančių pavojų. Niekada nemanykite, kad vaikai liks ten, kur juos pastarąjį kartą matėte.

- Liepkite vaikams pasitraukti iš vietos, kurioje pjaunama veja, ir pasirūpinkite, kad juos akykiai prižiūrėtų atsakingas suaugusysis, kuris nėra vejjapjovės operatorius.
- Būkite budrus ir išjunkite vejjapjovę, jei į vietą, kurioje dirbate, atėjo vaikų.
- Būkite itin atsargūs, kai artėjate prie kampu, už kurių nieko nematyti, tarpdurių, krūmų, medžių arba kitų objektų, galinčių užstoti vaiką, bėgantį vejjapjovės link.
- Vaikus reikia prižiūrėti ir neleisti jiems žaisti su vejjapjove.
- Visada išjunkite vejjapjovę, kai išimate akumuliatorių iš įrenginio. Sustabdykite peilį (-ius), kai įrenginį reikia pakreipti, kad būtų galima perstumti per paviršiu, kuriame nėra žolės, ir kai stumiate įrenginį į vietą, kurioje pjausite veją, arba iš jos.

LT

NAUDOJIMAS

STANDARTINIS EKSPLOATAVIMAS:

- Prieš bandydami surinkti šį įrenginį, atidžiai perskaitykite visą šią naudojimo instrukciją. Prieš naudodami įrenginį, perskaitykite visus aną jo ir instrukcijoje pateiktus nurodymus, įsitikinkite, kad juos supratote, ir jais vadovaukitės. Prieš naudodami įrenginį, išsamiai susipažinkite su valdymo prietaisais ir nurodymais, kaip tinkamai naudoti įrenginį. Šią instrukciją laikykite saugioje vietoje, kad prirėikus galėtumėte rasti reikiamą informaciją arba užsisakyti atsarginių dalių.
- Naudokite tinkamą įrenginį – nenaudokite vejjapjovės jokiems darbams, išskyrus numatytąjį.
- Nepraraskite pusiausvyros – visada tvirtai stovėkite ant kojų ir išlaikykite pusiausvyrą.
- Vejjapjovės kliudyti objektai gali sunkiai sužaloti žmones. Prieš pjaunant veją, kaskart reikia atidžiai ją apžiūrėti ir pašalinti visus pašalinius daiktus.

- Prieš eidami ir eidami atbulomis, pasižiūrėkite, ar už jūsų nėra mažų vaikų arba kitų žmonių.
- Šis įrenginys – ne žaislas. Todėl visada būkite itin atsargūs. Įrenginys suprojektuotas vienam darbui – pjauti veją. Nenaudokite jokiais kitais tikslais.
- Nestumkite vejjapjovės per jėgą – judėdama numatytuju greičiu, ji pjauna veiksmingiau ir saugiau.
- Prieš naudodami, visada apžiūrėkite, ar peiliai, jų varžtai ir pjoviklio mazgas nėra susidėvėję arba pažeisti. Susidėvėjusius arba pažeistus peilius, varžtus ir kitus komponentus keiskite tuo pat metu, kad išlaikytumėte subalansavimą. Pakeiskite pažeistus arba nebeįskaitomus lipdukus.
- Būkite itin atsargūs, kai einate atbulomis arba traukiate įrenginį link savęs.
- Atidžiai apžiūrėkite vietą, kurioje ketinate naudoti įrenginį. Pašalinkite visus akmenis, pagaliukus, vielas, žaislus ir kitus pašalinius daiktus, už kurių galima užkliūti arba kuriuos gali kliudyti ir išsviesti peilis. Išsviesti daiktai gali sunkiai sužaloti. Vejos pjovimo eiga suplanuokite taip, kad nupjauta žolė nebūtų išmetama kelio, šaligatvio, pašalinių asmenų ir panašių vietų link. Taip pat stenkitės užtikrinti, kad nupjauta žolė nebūtų išmetama į sienas arba kitas kliūtis, nuo kurių ji galėtų atšokti atgal į operatorių.
- Kad nepaliestumėte peilio ir išvengtumėte sužalojimų dėl išsviestų objektų, būkite operatoriumi skirtoje srityje už rankenų ir užtikrinkite, kad vaikai, pašaliniai asmenys, pagalbinkai ir augintiniai būtų bent 30 m atstumu nuo vejjapjovės, kai ji veikia. Išjunkite įrenginį, jei kas nors atėjo į vietą, kurioje dirbate.
- Kad apsaugotumėte akis, visada užsidėkite apsauginius akinius, kai dirbate, reguliuojate arba remontuojate. Išsviesti ir atšokę daiktai gali sunkiai sužaloti akis. Jei dirbant kyla daug dulkių, visada užsidėkite kaukę arba respiratorių.
- Tinkamai apsirenkite – nedėvėkite laisvų drabužių ir nenešiotkite laisvai kabančių papuošalų. Judamosios dalys gali juos įtraukti. Dirbant lauke rekomenduojama mūvėti gumines pirštines ir avėti guminę avalynę. Avėkite tvirtus darbinis batus grublėtu padu ir vilkėkite glaudžiai priglundusias kelnes bei marškinus. Rekomenduojama vilkėti rankas ir kojas uždengiančius marškinus bei kelnes ir avėti avalynę su plienų sutvirtinta priekine dalimi. Niekada nenaudokite šio įrenginio, būdami basi, avėdami sandalus, slidžius arba lengvus (pvz., medžiaginius) batus.
- Nedėkite rankų ir kojų arti besisukančių dalių arba po pjovimo platforma. Palietus peilį, galima susižaloti rankas arba kojas.

- Jei išmetimo angos gaubtas neuždėtas arba pažeistas, galima paliesti peilį arba patirti sužalojimą dėl išsviestų daiktų.
- Daug sužalojimų patiriama, kai paslydus arba užkliuvus nugriūnama, o vejapjovė patraukiama ant kojos. Nesilaikykite už vejapjovės kai krentate – nedelsdami paleiskite rankeną.
- Niekada netraukite vejapjovės atgal (savęs link), kai einate. Jei reikia atitraukti vejapjovę nuo sienos arba kliūtis, pirmiausia pažiūrėkite už savęs, kad neužkliūtumėte, ir atlikite šiuos veiksmus:
 - atsitraukite nuo vejapjovės, kad rankos būtų visiškai ištiestos;
 - įsitikinkite, kad išlaikote pusiausvyrą ir esate pasirinkę tinkamą stovėseną;
 - iš lėto patraukite vejapjovę atgal, ne daugiau nei pusę jus skiriančio atstumo;
 - jei reikia, kartokite šiuos veiksmus.
- Nedirbkite su vejapjove, jei esate apsvaigę nuo alkoholio arba vaistų.
- Būkite budrūs – stebėkite, ką darote. Vadovaukitės sveika nuovoka. Nedirbkite su vejapjove, kai esate pavargę.
- Variklio / peilio valdymo rankena yra saugos įtaisas. Niekada nebandykite pakeisti jos veikimo. Kitaip saugos įtaisas neatliks savo funkcijos, todėl kils pavojus susižaloti palietus besisukantį peilį. Variklio / peilio valdymo rankena turi būti lengvai pakreipiama į abi puses, o atleista – automatiškai grįžti į išjungimo padėtį.
- Venkite pavojingos aplinkos – nenaudokite vejapjovių drėgnose arba šlapiose vietose.
- Nenaudokite lyjant lietu.
- Visada užtikrinkite tinkamą stovėseną. Paslydus arba nugriuvus, galima sunkiai susižaloti. Jei pajutote, kad prarandate pusiausvyrą, nedelsdami paleiskite variklio / peilio valdymo rankeną – peilis nustos sukis per tris sekundes.
- Sustabdykite peilį, kai stumiate per žvyruotus įvažiavimus, takelius arba kelius.
- Jei įrenginys pradeda neįprastai vibruoti, nedelsdami išjunkite variklį ir nustatykite priežastį. Vibracija paprastai įspėja apie problemą:
 - patikrinkite, ar nėra pažeidimų;
 - pakeiskite arba sutaisykite visas pažeistas dalis, kurias leidžiama keisti naudotojui;
 - patikrinkite, ar nėra atsilaisvinusių dalių, ir jas priveržkite;

- niekada nedirbkite su vejapjove, kai neuždėtas arba neveikia tinkamas galinis skydelis, išmetimo angos gaubtas, žolės krepšys, mulčiavimo įdėklas, šoninis išmetimo kanalas, variklio / peilio valdymo rankena ar kiti saugos įtaisai. Niekada nedirbkite su vejapjove, kai saugos įtaimai sugadinti. Kitaip galite susižaloti.
- Susidarius šiame vadove neaprašyti situacijai, būkite atsargūs ir vadovaukitės sveika nuovoka. Dėl techninės pagalbos kreipkitės į EGO klientų aptarnavimo centrą.
- Prieš atiduodant įrenginį į metalo laužą, būtina išimti akumuliatorių.
- Akumuliatorių turite pašalinti saugiu būdu.

NAUDOJIMAS ANT ŠLAITO

Šlaitai yra pagrindinis veiksnys, susijęs su nelaimingais atsitikimais, kurių metu paslystama ir nugriūnama. Šiose vietose galima sunkiai susižaloti. Ant šlaitų visada stovėkite tvirtai. Dirbant nuožulniose vietose, reikia būti itin atsargiems. Jei ant šlaito negalite laisvai stovėti, vejos joje nepjaukite.

Nurodymai, ką galima daryti

- Veją visada pjaukite skersai šlaito, o ne kildami aukštyn ir leidžiamiesi žemyn. Būkite itin atsargūs, kai keičiate kryptį ant šlaito.
- Stebėkite, ar nėra duobių, provėžų, akmenų, sunkiai pastebimų daiktų arba nelygumų, ant kurių galite paslysti arba už kurių galite užkliūti. Aukšta žolė gali slėpti kliūtis.

Nurodymai, ko negalima daryti

- Nepjaukite vejos arti skardžių, griovių arba pylimų, nes galite paslysti arba netekti pusiausvyros.
- Nepjaukite vejos ant šlaito, kurio nuolydis didesnis nei 15 laipsnių.
- Nepjaukite šlapios žolės. Nestabiliai stovėdami galite paslysti.

TECHNINĖ PRIEŽIŪRA

⚠ ĮSPĖJIMAS. Žolės krepšio komponentai, išmetimo angos gaubtas, šoninis išmetimo kanalas, mulčiavimo įdėklas ir galinis skydelis gali susidėvėti bei būti pažeisti. Taip nutikus, gali likti neuždengtos judamosios dalys arba nebelikti apsaugos nuo išsviedžiamų daiktų, todėl gali padidėti susižalojimo pavojus. Norėdami užtikrinti saugumą, dažnai patikrinkite visus komponentus, o pažeistus komponentus pakeiskite identiškomis atsarginėmis dalimis, nurodytomis šioje instrukcijoje. Kreipkitės į EGO klientų aptarnavimo tarnybą arba artimiausią EGO techninės priežiūros centrą, nes remonto arba keitimo darbus turi atlikti kvalifikuotas techninės priežiūros specialistas!

- Jei vejapjovės įtaisytais apsaugos nuo perkrovos jungiklis dažnai suveikia, kreipkitės į EGO klientų aptarnavimo tarnybą arba artimiausią EGO techninės priežiūros centrą.
- Neplaukite vejapjovės su vandens žarna. Saugokite, kad vandens nepatektų ant variklio ir elektros jungčių.
- Kai vejapjovės nenaudojate, ištraukite raktelį ir laikykite vejapjovę patalpoje. Prieš palikdami vejapjovę bet kokiaje uždaroje vietoje, palaukite, kol variklis atvės. Vejapjovę reikia laikyti sausoje, aukštai esančioje arba rakinamoje, vaikams nepasiekiamoje vietoje.
- Atlikdami techninės priežiūros darbus, naudokite tik identiškas atsargines dalis, nurodytas šioje instrukcijoje. Naudojant dalis, kurios neatitinka originalios įrangos specifikacijų, vejapjovė gali netinkamai veikti ir kelti pavojų.
- Prieš atlikdami techninės priežiūros darbus, valydami arba šalinami medžiagas iš vejapjovės, išimkite arba atjunkite akumuliatorių.
- Vadovaukitės priedų keitimo instrukcijomis.
- Pasirūpinkite, kad rankenos būtų sausas, švarios ir nesuteptos alyva arba tepalu.
- Norėdami sumažinti gaisro pavojų, pasirūpinkite, kad ant variklio gaubto neprisikauptų žolės, lapų arba apnašų.
- Dažnai tikrinkite, ar peilio ir variklio tvirtinimo varžtai tinkamai priveržti. Taip pat, apžiūrėkite, ar peilis nepažeistas (pvz., neįlenktas, neižrūkęs ir nesusedėvėjęs). Peilį keiskite tik identišku atsarginiu peiliu, nurodytu šioje instrukcijoje.
- Vejapjovės techninės priežiūros darbus atlikite atsargiai – vejapjovės peilis turi būti aštrus ir švarus, kad vejapjovė pjautų efektyviai ir saugiai. Vejapjovės peiliai yra aštrūs ir gali įpjauti. Kai atliekate peilio techninės priežiūros darbus, apvyniokite peilį arba mūvėkite pirštines ir būkite labai atsargūs.
- Niekada nenuimkite ir nemodifikuokite saugos įtaisų. Reguliariai tikrinkite, ar jie tinkamai veikia. Niekada nedarykite nieko, kas trukdytų saugos įtaisui atlikti numatytąją funkciją arba sumažintų saugos įtaiso teikiamą apsaugą.
- Visada išjunkite variklį prieš reguliuodami ratą arba pjovimo aukštį.
- Jei kliudėte pašalinį daiktą, išjunkite variklį, ištraukite raktelį ir atidžiai apžiūrėkite, ar vejapjovė nepažeista. Prieš toliau naudodami vejapjovę, pašalinkite pažeidimus.
- Prireikus sutvarkykite arba pakeiskite saugos ir nurodymų lipdukus. Kreipkitės į EGO klientų aptarnavimo tarnybą arba artimiausią EGO techninės priežiūros centrą, nes remonto arba keitimo darbus turi atlikti kvalifikuotas techninės priežiūros specialistas!



■ IŠSAUGOKITE ŠIAS INSTRUKCIJAS.

Visada jomis vadovaukitės ir naudokitės instrukcijomis mokydami kitus asmenis, kurie gali naudoti šią vejapjovę. Jei šį įrenginį kam nors skolinatė, taip pat perduokite šią instrukciją, kad kitas asmuo tinkamai naudotų šį gaminį ir nesusižalotų.

AKUMULIATORIAUS NAUDOJIMAS IR PRIEŽIŪRA

- Siekdami tausoti gamtos išteklius, akumuliatorių atiduokite perdirbti arba tinkamai išmeskite. Šiame gaminyje naudojamas ličio jonų akumuliatorius. Vietos ir šalies įstatymai ličio jonų akumuliatorių draudžia išmesti su buitėmis atliekomis. Dėl galimų perdirbimo ir (arba) šalinimo būdų pasitarkite su vietos atliekų tvarkymo institucija.
- Prieš išmesdami arba atiduodami perdirbti išimtą akumuliatorių, apvyniokite jo gnybtus tvirta lipnia juosta. Akumuliatoriaus nebandykite laužyti ar ardyti ir neišimkite jokių jos dalių. Ličio jonų akumuliatorius reikia atiduoti perdirbti arba tinkamai išmesti. Be to, baterijos gnybtų niekada nelieskite metaliniais daiktais ir (ar) kūno dalimis, nes galite sukelti trumpąjį jungimą. Saugokite nuo vaikų. Nesilaikant šių įspėjimų galima sukelti gaisrą ir (arba) sunkiai susižaloti.
- **ESANT NETINKAMOMS SĄLYGOMS, IŠ BATERIJOS GALI IŠTEKĖTI SKYSTIS – NELIESKITE JO. SKYŠČIUI ATSIITIKTINAI PATEKUS ANT ODOS, NEDELSIANT NUPLAUKITE VANDENIU. JEIGU SKYŠČIOJ PATEKO Į AKIS, KREIPKITĖS IR Į GYDYTOJUS.** Iš baterijos ištekėjęs skystis gali dirginti arba nudeginti.

SPECIFIKACIJA

Modelio numeris	LM2020E	LM2020E-SP
Savaeigio važiavimo sistema	Ne	Taip
Įtampa	56 V 	56 V 
Sūčiai bei apkravos	3000 /min	3000 /min
Pjovimo aukštis	25-95 mm	25-95 mm
Rekomenduojama darbinė temperatūra:	0–40°C	0–40°C
Rekomenduojama sandėliavimo temperatūra:	-20°C - 70°C	-20°C - 70°C
Pjovimo aukščio padėty	6	6
Pjovimo platformos dydis	51 cm	51 cm
Pjovimo plotis	50 cm	50 cm
Žolės maišo tūris	60 L	60 L

Vejapjovės svoris (be akumuliatoriaus, mulčiavimo įdėklas)	24,4 kg	27,2 kg	
Peilio modelis	AB2001	AB2001	
Išmatuotas garso galios lygis L_{WA}	91,5 dB(A) K=1,80 dB(A)	91,0 dB(A) K=1,89 dB(A)	
Garso slėgio lygis ties operatoriaus ausimi L_{PA} K=3 dB(A)	79,5 dB(A)	79,2 dB(A)	
Garantuojamas garso galios lygis L_{WA} (pagal 2000/14/EB)	93 dB(A)	93 dB(A)	
Vibracija $a_{h,r}$ K=1,5 m/s^2	Kairioji rankena	$\leq 2,5 m/s^2$	$\leq 2,5 m/s^2$
	Dešinioji rankena	$\leq 2,5 m/s^2$	$\leq 2,5 m/s^2$
Peilio stabdys	Taip	Taip	

- Nurodyta bendroji vibracijos vertė išmatuota taikant standartinį bandymo metodą, todėl pagal ją galima palyginti skirtingus įrenginius.
- Nurodytą bendrąją vibracijos vertę taip pat galima naudoti pirmiam poveikio vertinimui.

PASTABA. Naudojant įrankį realiomis sąlygomis, sklaidžiamos vibracijos stiprumo vertė gali skirtis nuo nurodytos. Kad apsaugotų dirbdamas realiomis sąlygomis, naudotojas turi mūvėti pirštines ir naudoti ausų apsaugos priemonės.

PAKUOTĖS TURINIO SĄRAŠAS

DALIES PAVADINIMAS	SKAIČIUS
Vejapjovė	1
Žolės maišas	1
Žolės maišo rėmas	1
Mulčiavimo įdėklas	1
Šoninis išmetimo kanalas	1
Saugos raktelis	1
Naudojimo instrukcija	1

APRAŠAS

PAŽINKITE VEJAPJOVĘ (A, B, C, D ir E pav.)

- 1 Lankelio formos jungiklis (jungiklio svirtis)
- 2 Rankena
- 3 Saugos mygtukas
- 4 Savaeigio važiavimo jungiklis
- 5 Rankenos užfiksavimo apkaba

- 6 Žolės maišas
- 7 Pjovimo aukščio reguliavimo svirtis
- 8 Galinis ratas
- 9 Šoninės išmetimo angos dangtis
- 10 Vejapjovės pjovimo platforma
- 11 Šviesdiodiniai priekiniai žibintai
- 12 Dėklo dangtelis
- 13 Priekinis ratas
- 14 Akumuliatoriaus dangtis
- 15 Galinė rankena
- 16 Greitojo reguliavimo svirtis
- 17 Galinės išmetimo angos dangtis
- 18 Šoninis strypas
- 19 Savaeigio važiavimo greičio reguliavimo svirtis
- 20 Galinis skydelis
- 21 Šviesdiodinių priekinių žibintų mygtukas
- 22 Maitinimo indikatorius
- 23 Baterijos išėmimo mygtukas
- 24 Saugos raktelio lizdas
- 25 Mulčiavimo įdėklas
- 26 Šoninis išmetimo kanalas

NAUDOJIMAS

ŽOLĖS MAIŠO SURINKIMAS

- 1) Užmaukite žolės maišą ant rėmo (F pav.).
- 2) Uždėkite viršutinius spaustukus ant rėmo (G pav.), tada uždėkite du šoninius spaustukus. Galiausiai uždėkite apatinį spaustuką.
- 3) Visiškai surinktas žolės maišas parodytas H pav.

NULENKIAMOSIOS RANKENOS REGULIAVIMAS

⚠️ ĮSPĖJIMAS. Nebandykite paleisti vejapjovės, kol rankena neužfiksuota vienoje iš trijų numatytųjų darbinių padėčių (VIRŠUTINĖJE DARBINĖJE PADĖTYJE, VIDURINĖJE DARBINĖJE PADĖTYJE arba APATINĖJE DARBINĖJE PADĖTYJE).

Vejapjovė pristatoma rankeną nustačius į kompaktišką UŽFIKSUOTĄ LAIKYMO PADĖTĮ (I pav.).

- 1) Paspauskite ir laikykite paspaudę greitojo reguliavimo svirtį, kad atlaisvintumėte rankeną iš UŽFIKSUOTOS LAIKYMO PADĖTIES.
- 2) Pakelkite rankeną iš nulenktos padėties, tada atleiskite svirtį. Atsargiai kelkite rankeną aukščiau tol, kol išgirsite ir pajusite, kaip fiksavimo kaištis užsifiksuoja vienoje iš galimų padėčių, parodytų J pav.

Toliau pateiktas J pav. parodytų dalių aprašas.

J-1	Užfiksuota laikymo padėtis
J-2	Žolės maišo prijungimo ir atjungimo padėtis
J-3	Viršutinė darbinė padėtis
J-4	Vidurinė darbinė padėtis
J-5	Apatinė darbinė padėtis

ŽOLĖS MAIŠO / MULČIAVIMO ĮDĖKLO PRITVIRTINIMAS / NUĖMIMAS

⚠ SPĖJIMAS. Niekada nereguliuokite jokių vejjaprovės dalių, pirmiau neišjungę variklio, neištraukę saugos raktelio ir nepalaukę, kol peilis nustos sukstis.

PASTABA. Reikiamus priedus prie vejjaprovės pritvirtinkite prieš įjaudami veją.

■ Žolės maišo pritvirtinimas / nuėmimas (K pav.)

Nustatykite rankeną į tinkamą darbinę padėtį. Pakelkite galinės išmetimo angos dangtį ir užkabinkite žolės maišą ant strypo. Jei norite nuimti, paprasčiausiai nukelkite žolės maišą nuo strypo. Galiausiai atlaisvinkite galinės išmetimo angos dangtį.

PASTABA. Prieš pritvirtindami žolės maišą prie vejjaprovės, nuimkite vejjaprovėje iš anksto sumontuotą mulčiamo įdėklą.

■ Mulčiamo įdėklo pritvirtinimas / nuėmimas (L pav.)

Pakelkite galinės išmetimo angos dangtį ir įdėkite mulčiamo įdėklą į vejjaprovę. Jei norite išimti, paprasčiausiai ištraukite. Galiausiai atlaisvinkite galinės išmetimo angos dangtį.

■ Šoninio išmetimo kanalo pritvirtinimas / nuėmimas (M pav.)

Pakelkite šoninės išmetimo angos dangtį. Sulygiuokite išmetimo kanalo griovelį su išmetimo angos dangčio iškyša ir atsargiai atleiskite šoninės išmetimo angos dangtį, kad jis pasisukęs ant strypo tvirtai atsiremtų į išmetimo kanalą. Jei norite nuimti, pakelkite šoninės išmetimo angos dangtį ir nukelkite šoninį išmetimo kanalą nuo dangčio sujungimo iškyšos.

Toliau pateiktas M pav. parodytų dalių aprašas.

M-1	Šoninės išmetimo angos dangtis
M-2	Sujungimo iškyša
M-3	Sujungimo griovelis
M-4	Šoninis išmetimo kanalas
M-5	Ašis

PASTABA: mulčiamo įdėklą galima įdėti tik pritvirtinus šoninį išmetimo kanalą.

PJOVIMO AUKŠČIO REGULIAVIMAS (N pav.)

⚠ SPĖJIMAS. Kai reguliuojate pjovimo platformos aukštį, patraukite kojas nuo jos. Vejjaprovėje galima nustatyti 6 pjovimo aukščius nuo 25 mm iki 95 mm. Parinkite tinkamą pjovimo aukštį, atsižvelgdami į žolės tipą ir būklę.

PASTABA. Kai stumiate įrenginį į kitą vietą, užtikrinkite, kad būtų nustatyta 3 arba aukštesnė pjovimo aukščio padėtis. Kitaip galite pažeisti peilį.

AKUMULIATORIAUS ĮDĖJIMAS / IŠĖMIMAS (O pav.)

Naudokite tik su A paveiksle nurodytomis sudėtinėmis baterijomis ir įkrovikliais.

PRIEŠ NAUDODAMI PIRMĄ KARTĄ, ĮKRAUKITE.

⚠ SPĖJIMAS. Jei kurios nors dalys lūžusios arba jų nėra, nebandykite įdėti akumulatoriaus į vejjaprovę arba naudoti vejjaprovės tol, kol lūžusios arba trūkstamos dalys nebus pakeistos. Kitaip galite sunkiai susižaloti.

■ Įdėjimas

Stumkite akumuliatorių į akumulatoriaus skyrių tol, kol išgirsite spragtelėjimą.

■ Išėmimas

Paspauskite akumulatoriaus atlaisvinimo mygtuką, esantį akumulatoriaus skyriuje.

Toliau pateiktas O pav. parodytų dalių aprašas.

O-1	Saugos raktelio lizdas
O-2	Saugos raktelis
O-3	Akumulatoriaus atlaisvinimo mygtukas

PASTABA. Prieš pradėdami dirbti, įsitinkinkite, ar vejjaprovėje esantis fiksatorius užsikfiksavo ir akumulatorius pritvirtintas prie vejjaprovės.

VEJJAPROVĖS PALEIDIMAS / IŠJUNGIMAS

⚠ SPĖJIMAS. Dirbant su bet kokia vejjaprove, į jūsų arba kitų asmenų akis gali būti išsviesta sveltinkūnių, kurie jas gali sunkiai sužaloti. Visada užsidėkite apsauginius akinius, kai dirbate su vejjaprove, ją reguliuojate arba remontuojate.

⚠ SPĖJIMAS. Užtikrinkite, kad kiti žmonės ir augintiniai būtų ne mažesniu nei 30m atstumu nuo vejjaprovės, kai ji naudojama.

⚠ SPĖJIMAS. Išjungus vejjaprovę, peilis dar kelias sekundes sukasi. Prieš dar kartą ją paleisdami, palaukite, kol variklis / peilis nustos sukstis. Išjungę nebandykite iš karto įjungti vejjaprovės.

SAUGOS RAKTELIS

Kad galėtumėte apsaugoti nuo akumuliatorinės vejjapjovės atsitiktinio paleidimo arba neleistino naudojimo, vejjapjovėje įrengtas ištraukiamasis saugos raktelis. Ištraukus saugos raktelį iš vejjapjovės, ji visiškai išjungžiama.

⚠ PAVOJUS. Besisukantys peiliai gali sunkiai sužaloti. Ištraukite saugos raktelį, kai paliekate vejjapjovę be priežiūros, ją reguliuojate, valote, atliekate jos techninės priežiūros darbus, ją transportuojate, keliate arba paliekate laikymo vietoje, kad išvengtumėte sunkių traumų.

PASTABA. Variklį galima paleisti tik išpildžius toliau nurodytas sąlygas.

- Rankena užfiksuota vienoje iš darbinių padėčių.
- Šoniniai strypai visiškai ištraukti (P pav.).
- Abi žalios rankenos užfiksavimo apkabos patikimai uždarytos (Q pav.).

Q-1 nuoroda linija

⚠ PERSPĖJIMAS. Nebandykite pakeisti saugos mygtuko ir lankelio-jungiklio veikimo.

Paleidimas

- 1) Įdėkite akumuliatorių į vejjapjovę, įkiškite saugos raktelį į raktelio lizdą ir uždarykite akumuliatoriaus dangtį (O pav.).
- 2) Kaip parodyta R pav., paspauskite saugos mygtuką.
- 3) Atleidę paleidimo mygtuką, patraukite lankelio formos jungiklį iki rankenos ir atleiskite saugos mygtuką (S pav.).

Išjungimas

- 1) Atleiskite lankelį-jungiklį.
- 2) Atleidus lankelį-jungiklį, automatiniam stabdymo mechanizme esantis elektrinis stabdys per 3 sekundes sustabdo peilio sukimąsi.

REGULIUOJAMOJO GREIČIO SAVAEIGIO VAŽIAVIMO SISTEMA

LM2020E-SP vejjapjovėje įdiegta reguliuojamojo greičio savaeigio važiavimo funkcija. Ši sistema nepriklauso nuo peilio įjungimo / išjungimo jungiklio; ji nepriklauso nuo peilio sukimosi.

Jei norite įjungti sistemą neįjungdami peilio sukimosi, patraukite savaeigio važiavimo jungiklį prie rankenos.

Jei norite išjungti savaeigį važiavimą, atleiskite savaeigio važiavimo jungiklį.

Sistemos greitį galima reguliuoti. Jei greitį norite padidinti, savaeigio važiavimo greičio reguliavimo svirtį pakreipkite pirmyn. Jei greitį norite sumažinti, savaeigio važiavimo greičio reguliavimo svirtį pakreipkite atgal (T pav.).

Naudojimas įjungus peilio sukimąsi vejjapjovėj

1. Paleiskite vejjapjovę.
2. Kaire ranka laikydami lankelio formos jungiklį prispausta prie rankenos, dešine ranka traukite savaeigį triggerį iki rankenos.
3. Dešine ranka vienu metu laikykite lankelio formos jungiklį ir savaeigį triggerį prispaudę prie rankenos ir, norėdami nustatyti greitį, kaire ranka reguliuokite savaeigę greičio valdymo svirtį.

⚠ ĮSPĖJIMAS. Kad sumažintumėte pavojų susižaloti, niekada nebandykite pakeisti jungiklio arba savaeigio važiavimo sistemos veikimo. Savaeigio važiavimo funkciją naudokite tik pagal numatytąją paskirtį.

VEJJAPJOVĖS ŠVIESDIODINIAI DARBINIAI ŽIBINTAI (A-13 pav.)

Norėdami įjungti / išjungti šviesdiodinius darbinius žibintus, įtaisytus akumuliatoriaus skyriaus priekyje, paspauskite mygtuką (C-22 pav.).

MAITINIMO INDIKATORIUS VEJJAPJOVĖJE (U pav.)

Vejjapjovėje įtaisytas maitinimo indikatorius, kuris rodo akumuliatoriaus įkrovos būseną ir vejjapjovės darbinę būseną. Maitinimo indikatorius dega, kai sukasi peilis arba kai įjungiami šviesdiodiniai darbiniai žibintai.

Maitinimo indikatorius veėjapjovėje	Reikšmė	Veiksmas
Dega žalia spalva	Veėjapjovė tinkamai veikia, akumulatoriaus įkrovos lygis ne mažesnis nei 15%	Nėra
Dega raudona spalva	Akumulatorius beveik išsekęs	Išjunkite veėjapjovę ir įkraukite akumulatorių
Mirksi raudona spalva	Akumulatorius beveik visiškai išsekęs	Išjunkite veėjapjovę ir įkraukite akumulatorių
Dega oranžine spalva	Veėjapjovė arba akumulatorius perkaito	Išimkite akumulatorių iš veėjapjovės, patraukite akumulatorių bei veėjapjovę į šešėlį ir palikite bent 15 minučių, kad atvėstų
Mirksi oranžine spalva	Veėjapjovė perkrauta	Lėčiau pjaukite arba padidinkite pjovimo aukštį, kad sumažintumėte apkrovą

VEJAPJOVĖS APSAUGA NUO PERKROVOS

Kad išvengtumėte perkrovos, nebandykite iš karto nupjauti pemelyg daug žolės. Lėčiau pjaukite arba padidinkite pjovimo aukštį.

Veėjapjovėje įtaisyta apsaugos nuo perkrovos grandinė. Kai veėjapjovė perkrauta, variklis išjungiamas, o veėjapjovėje esantis maitinimo indikatorius mirksi oranžine spalva. Išimkite akumulatorių iš veėjapjovės. Patikrinkite, ar po pjovimo platforma neprisikauptė žolės, jei reikia, nuvalykite. Tada įdėkite akumulatorių ir iš naujo paleiskite veėjapjovę.

APSAUGA NUO PER AUKŠTOS AKUMULATORIAUS TEMPERATŪROS

Dirbant akumulatorius kaista. Kai oras karštas, šiluma išsisklaido lėčiau. Jei dirbant akumulatoriaus temperatūra viršija 70 °C, apsaugos grandinė nedelsdama išjungia veėjapjovę, kad apsaugotų akumulatorių nuo pažeidimo. Veėjapjovėje esantis maitinimo indikatorius dega oranžine spalva. Atleiskite lankelį-jungiklį, palaukite, kol akumulatorius atvės maždaug iki 67 °C, tada paleiskite veėjapjovę iš naujo.

TECHNINĖ PRIEŽIŪRA

⚠ SPĖJIMAS. Visada ištraukite saugos raktelį ir išimkite akumulatorių iš veėjapjovės prieš ją valydami arba prieš atlikdami jos techninės priežiūros darbus, kad išvengtumėte pavojaus sunkiai susižaloti.

⚠ SPĖJIMAS. Atlikdami techninės priežiūros darbus, naudokite tik identiškas atsargines dalis. Naudojant bet kokias kitas dalis, gali kilti pavojus arba sugesti gaminys. Norint užtikrinti saugų ir patikimą gaminio naudojimą, visus remonto ir keitimo darbus turi atlikti kvalifikuotas techninės priežiūros specialistas.

VEJAPJOVĖS VALYMAS

⚠ SPĖJIMAS. Visada ištraukite saugos raktelį ir išimkite akumulatorių, kai atliekate veėjapjovės techninės priežiūros darbus arba ją transportuojate.

Kaskart panaudojus veėjapjovę, reikia nuvalyti pjovimo platformos apačią, nes joje kaupiasi nupjauta žolė, lapai, nešvarumai ir kitos apnašos. Šios sankaupos nepageidaujamos, nes jos paspartina metalinių dalių rūdijimą bei koroziją ir sumažina veėjapjovės pjovimo efektyvumą.

Pašalinkite ant pavaros veleno (tik LM2020E-SP) arba aplink jį ir ant variklio ventiliatoriaus susikaupusią žolę bei lapus (nenaudokite vandens). Drėgna šluoste švariai nuvalykite veėjapjovę.

PEILIO NUĖMIMAS / UŽDĖJIMAS

⚠ SPĖJIMAS. Kai atliekate veėjapjovės peilio techninės priežiūros darbus, visada apsaugokite rankas, užsimaudami tvirtas pirštines arba apvyniodami ašmenis su skudurais arba kitomis medžiagomis.

■ Peilio nuėmimas (V pav.)

PASTABA. Jei atlaisvinant varžtą kartu sukasi ir variklio velenas, ranka pasukite ventiliatorių, kad ventiliatoriaus skylės susilygiuotų su peilio skylėmis, tada įkiškite metalinį strypelį į susilygiuotas skylės.

Peilio uždėjimas

Laikykitės surinkimo sekos, parodytos V pav. Ventiliatoriaus mentes atkreipę į pjovimo platformą, o peilio pusę su užrašu atkreipę išorėn, susilygiuokite ventiliatoriaus skylės su peilio skylėmis (X pav.) ir priveržkite peilį, kaip parodyta X pav.

Toliau pateiktas V ir W pav. parodytų dalių aprašas.

V-1	Ventiliatorius	V-5	Varžtas
V-2	Vidinė jungė	W-1	1-as stabilizatorius
V-3	Peilis	W-2	2-as stabilizatorius
V-4	Išorinė jungė	W-3	14 mm veržliaraktis

PASTABA. Rekomenduojamas peilio varžto priveržimo sukimo momentas 49–59Nm.

VEJAPJOVĖS LAIKYMAS

- Išimkite akumuliatorių iš vejapjovės ir laikykite jį vėsioje, sausoje ir švarioje vietoje. Nelaikykite jo šalia edančiųjų medžiagų, pvz., trąšų arba akmens druskos.
- Vejapjovę laikykite uždengtoje, uždaroje vietoje, kuri yra vėsi, sausa ir nepasiekama vaikams.
- Neuždenkite vejapjovės su vientisa plastikine plėvele. Plastikinė plėvelė sulaiko drėgmę aplink vejapjovę, todėl atsiranda rūdžių ir prasideda korozija.
- Vejapjovę galima laikyti pastatytą arba paguldytą (Z pav.).

▲ SPĖJIMAS. Jei vejapjovė griūna iš statmenos padėties, gali būti pažeista vejapjovė arba sužalotas žmogus. Jei vejapjovę laikote pastatytą, užtikrinkite jos stabilumą ir nepasiekiamumą vaikams. Jei įmanoma, laikykite paguldytą.

Aplinkos apsauga



Neišmeskite elektros įrangos, akumuliatoriaus įkroviklio ir baterijų / akumuliatorių su buitinėmis atliekomis!

Pagal Europos Parlamento ir Tarybos direktyvas 2012/19/EB ir 2006/66/EB nenaudojama elektros bei elektronikos įranga ir nenaudojami arba sugedę akumuliatoriai ir (arba) baterijos turi būti surenkami atskirai.

Jei elektriniai prietaisai išmetami į užkasamuosius arba atvirouosius sąvartynus, kenksmingos medžiagos gali prisisunkti iki gruntinio vandens, patekti į mitybos grandinę ir kenkti jūsų sveikatai bei gerovei.

TRIKČIŲ ŠALINIMAS

⚠ SPĖJIMAS. Visada ištraukite saugos raktelį ir išimkite akumuliatorių, kai atliekate vejamųjų techninės priežiūros darbus arba ją transportuojate. Kai atliekate vejamųjų peilio techninės priežiūros darbus, visada apsaugokite rankas, užsimaudami tvirtas pirštines arba apvyniodami ašmenis su skudurais arba kitomis medžiagomis.

PROBLEMA	PRIEŽASTIS	SPRENDIMAS
Vejamųjų nepavyksta paleisti	<ul style="list-style-type: none"> ■ Akumuliatorius visiškai išsekęs. ■ Akumuliatorius neįdėtas į akumuliatoriaus skyrių. ■ Akumuliatorius arba vejamųjų grandinės pernelyg įkaitusios. (Vejamųjų esantis maitinimo indikatorius 10 sekundžių dega oranžine spalva.) ■ Iki galo neištraukti šoniniai strypai ir neužfiksuotos apkabos. ■ Rankena nenustatyta į vieną iš dviejų darbinų padėčių. ■ Žole ir apnašos užkimšo vejamųjų pjovimo platformą. 	<ul style="list-style-type: none"> ■ Įkraukite akumuliatorių. ■ Įdėkite akumuliatorių į vejamųjų ir spauskite jį tol, kol išgirsite spragtelėjimą. ■ Palaukite, kol akumuliatorius arba vejamųjų atvės iki žemesnės nei 67°C temperatūros. ■ Iki galo ištraukite rankeną ir užfiksuokite abi apkabas. ■ Nustatykite rankeną į vieną iš dviejų darbinų padėčių. ■ Nuvalykite vejamųjų pjovimo platformą ir patikrinkite, ar peilis gali laisvai sukis.
Vejamųjų netolygiai pjauna	<ul style="list-style-type: none"> ■ Atšipęs peilis. ■ Netinkamai nustatytas pjovimo aukštis. ■ Netinkamai surinktas peilis. 	<ul style="list-style-type: none"> ■ Pagaląskite arba pakeiskite peilį. ■ Pakelkite pjovimo platformą, nustatydami didesnę pjovimo aukštį. ■ Iš naujo surinkite peilį, vadovaudamiesi nurodymais šios instrukcijos skyriuje PEILIO UŽDĖJIMAS.
Vejamųjų išsijungia dirbant	<ul style="list-style-type: none"> ■ Akumuliatorius visiškai išsekęs. ■ Vejamųjų perkrauta. ■ Žole ir apnašos užkimšo vejamųjų pjovimo platformą. ■ Akumuliatorius arba vejamųjų grandinės pernelyg įkaitusios. (Vejamųjų esantis maitinimo indikatorius 10 sekundžių dega oranžine spalva.) ■ Paspaudus rankeną, šiek tiek įsistūmė šoninis strypas. 	<ul style="list-style-type: none"> ■ Įkraukite akumuliatorių. ■ Padidinkite pjovimo aukštį arba lėčiau pjaukite veją. ■ Pašalinkite vejamųjų pjovimo platformoje susidariusį kamštį. Padidinkite pjovimo aukštį arba pjaukite siauresnę vejos ruožą. ■ Palaukite, kol akumuliatorius arba vejamųjų atvės iki žemesnės nei 67°C temperatūros. ■ Atlaisvinkite apkabas. Iki galo ištraukite šoninius strypus ir vėl užfiksuokite apkabas.

PROBLEMA	PRIEŽASTIS	SPRENDIMAS
Vejapjovė netinkamai mulčiuoja	<ul style="list-style-type: none"> ■ Nupjauta šlapia žolė prikimba pjovimo platformos apačioje. ■ Vejapjovė nustatyta iš karto pjauti per daug žolės. 	<ul style="list-style-type: none"> ■ Prieš pjaudami veją, palaukite, kol žolė išdžiūsi. ■ Pakelkite pjovimo platformą, nustatydami didesnę pjovimo aukštį.
Pernelyg stipri vibracija	<ul style="list-style-type: none"> ■ Atsilaisvinęs pjovimo peilis. ■ Nesubalansuotas pjovimo peilis. ■ Pjovimo ašmenys sulankstyti. ■ Įlenktas variklio velenas. 	<ul style="list-style-type: none"> ■ Priveržkite peilio varžtą. ■ Subalansuokite peilį, vadovaudamiesi instrukcija. ■ Pakeiskite peilį. ■ Kreipkitės į techninės priežiūros centrą.
Nepavyksta uždaryti rankenos užfiksavimo apkabų	<ul style="list-style-type: none"> ■ Nevisiškai ištraukti šoniniai strypai. 	<ul style="list-style-type: none"> ■ Iki galo ištraukite šoninius strypus ir užfiksukite apkabas.

GARANTIJA

EGO GARANTINIS POLISAS

Norėdami sužinoti visas „EGO“ garantinio poliso sąlygas, apsilankykite interneto svetainėje egopowerplus.com.

IZLASIET VISUS NORĀDĪJUMUS!



IZLASIET LIETOTĀJA ROKASGRĀMATU

⚠ BRĪDINĀJUMS. Lai garantētu drošību un uzticamību, ierīces remontu un tās detaļu nomainīšanu veikt drīkst tikai kvalificēts apkopes tehniķis.

Paredzētais lietojums un neatbilstoša izmantošana
Šis izstrādājums ir paredzēts zāles pļaušanai tikai un vienīgi piemājas dārzos. Zāles pļāvējs nav piemērots pārāk garas, sausas vai mitras zāles, piemēram, ganību zāles, pļaušanai; tāpat tas nav paredzēts lapu smalcināšanai. Zāles pļāvēju drīkst izmantot tikai un vienīgi tālāk aprakstītajam mērķim. Izmantošana jebkādā citā veidā ir uzskatāma par neatbilstošu.

DROŠĪBAS APZĪMĒJUMI

Drošības apzīmējumu nolūks ir pievērst uzmanību iespējamajiem apdraudējumiem. Drošības apzīmējumiem un to skaidrojumiem jāpievērš īpaša uzmanība, un tie pilnībā jāizprot. Apzīmējumu brīdinājumi paši par sevi nenovērš apdraudējumu. Apzīmējumos iekļautie norādījumi un brīdinājumi neaizstāj atbilstošus darba drošības pasākumus.

⚠ BRĪDINĀJUMS. Pirms šī darbarīka lietošanas noteikti izlasiet un izprotiet visus šajā lietošanas rokasgrāmatā iekļautos norādījumus, tostarp visus drošības brīdinājumu apzīmējumus, piemēram, „**BĪSTAMI**”, „**BRĪDINĀJUMS**” un „**UZMANĪBU!**”. Neievērojot tālāk uzskaitītos norādījumus, var rasties elektrotrauma, aizdegšanās un/vai smaga trauma.

LV

APZĪMĒJUMA NOZĪME

DROŠĪBAS BRĪDINĀJUMA APZĪMĒJUMS: Atbilst norādei **BĪSTAMI**, **BRĪDINĀJUMS** vai **UZMANĪBU!** Var tikt izmantots kopā ar citiem apzīmējumiem un piktogrammām.

⚠ BRĪDINĀJUMS. Jebkura elektroinstrumenta lietošanas laikā acis var iekļūt svešķermeņi, kas var radīt smagu acu traumu. Pirms elektroinstrumenta ieslēgšanas vienmēr uzvelciet aizsargbrilles vai aizsargbrilles ar sānu aizsargiem un, ja nepieciešams, pilnu sejas aizsargmasku. Iesakām izmantot aizsargmasku ar plašu skata leņķi, ko uzvelk virs parastajām brillēm, vai arī standarta aizsargbrillēm ar sānu aizsargiem.

DROŠĪBAS NORĀDĪJUMI

Šajā lappusē ir attēloti un aprakstīti drošības simboli, kas var būt uz šī produkta. Pirms iekārtas salikšanas un darbināšanas izlasiet, izprotiet un ievērojiet visus uz iekārtas esošos norādījumus.

	Drošības brīdinājums	Uz jūsu drošību attiecināmi piesardzības pasākumi.
	Izlasiet Operatora Rokasgrāmatu	Lai mazinātu traumu gūšanas risku, pirms šī produkta lietošanas lietotājam jāizlasa un jāizprot operatora rokasgrāmata.
	Uzmanieties no asiem asmeņiem	Pēc motora izslēgšanas asmeņi turpina rotācijas kustību - pirms apkopes darbu veikšanas noņemiet deaktivizācijas ierīci. Pirms regulēšanas vai tīrīšanas darbu veikšanas izslēdziet un noņemiet noņemamo akumulatoru bloku (vai deaktivizācijas ierīci).
	Neļaujiet tuvoties neiesaisītām personām.	Pārliecinieties, ka, lietojot zāles pļāvēju, citas personas un dzīvnieki atrodas vismaz 30m attālumā no tā.
	Turiet kājas un roku prom	Turiet kājas un roku prom
	CE	Šis izstrādājums atbilst piemērojamām EK direktīvām.
	UKCA	Šis produkts atbilst spēkā esošajiem Apvienotās Karalistes tiesību aktiem.
	EIEA	Elektrisko izstrādājumu atkritumus nedrīkst izmest kopā ar sadzīves atkritumiem. Nogādāt uz pilnvarotu pārstrādes punktu.
	Troksnis	Garantētais skaņas intensitātes līmenis. Trokšņa emisija vidē atbilstoši Eiropas Kopienas direktīvai.
	IP simbols	4. klases aizsardzība pret ūdens iedarbību
	Volti	Spriegums
	Ampēri	Strāva
	Herci	Frekvence (cikli sekundē)
	Vati	Jauda

min	Minūtes	Laiks
	Mainstrāva	Strāvas veids
	Līdzstrāva	Strāvas veids vai raksturlielums
n_0	Apgriezienu skaits bezslodzes apstākļos	Rotācijas ātrums bezslodzes apstākļos
... /min	Minūtē	Apgriezienu skaits minūtē

VISPĀRĒJIE ELEKTROINSTRUMENTA DROŠĪBAS BRĪDINĀJUMI

▲ BRĪDINĀJUMS! IZLASIET VISUS AR ŠO ELEKTROINSTRUMENTU SAISTĪTOS DROŠĪBAS BRĪDINĀJUMUS, NORĀDĪJUMUS, SPECIFIKĀCIJAS UN APLŪKOJIET ATTĒLUS. Visu turpmāk uzskaitīto norādījumu neievērošana var izraisīt elektriskās strāvas triecienu, aizdegšanos un/vai nopietnas traumas

SAGLABĀJIET VISUS BRĪDINĀJUMUS UN INSTRUKCIJAS TURPMĀKAI ATSAUCEI.

Brīdinājumos lietotais termins „elektroinstrument” attiecas uz elektriski darbināmu instrumentu, kura barošanu nodrošina elektrotīkls (ar elektrokabeļi) vai akumulators (bez elektrokabeļa).

DROŠĪBA DARBA ZONĀ

- **Uzturiet darba zonu tīru un labi apgaismotu.** Nesakārtotā un slikti apgaismotā darba zonā var notikt nelaimes gadījumi.
- **Nedarbiniet elektroinstrumentu sprādzienbīstamā vidē, piemēram, viegli uzliesmojošu šķidrums, gāzu vai putekļu klātbūtnē.** Elektroinstrumenti rada dzirksteles, kas var aizdedzināt putekļus vai izgarojumu tvaikus.
- **Neļaujiet bērniem un klātesošajiem atrasties elektroinstrumenta tuvumā, kamēr tas darbojas.** Apjukuma brīdī jūs varat zaudēt vadību pār instrumentu.

ELEKTRODROŠĪBA

- **Elektroinstrumenta kontaktakšai jāsakrīt ar kontaktrozeti. Nekad nekādā veidā nepārveidojiet kontaktdakšu. Neizmantojiet adaptera savienojumus kopā ar saņemtiem elektroinstrumentiem.** Lietojot oriģinālo kontaktdakšu, kas pievienota atbilstoši tīkla kontaktrozetei, samazinās elektriskās strāvas triecienu risks

- **Nepieskarieties saņemtajam virsmām, piemēram cauruļvadiem, radiatoriem, plītim un ledusskapjiem.** Saņemējoties Jūs palielināt elektriskās strāvas triecienu risku.
- **Sargājiet elektroinstrumentus no lietus vai mitruma.** Mitruma iekļūšana elektroinstrumentā palielina elektriskās strāvas triecienu risku.
- **Nebojājiet strāvas vadu. Nekad nelietojiet strāvas vadu elektroinstrumenta pārnēsāšanai, vilkšanai vai kontaktdakšas izvilkšanai no kontaktrozetes.** Sargājiet strāvas vadu no karstuma, eļļas, asām malām vai kustīgām daļām. Bojāti vai samudzināti strāvas vadi palielina risku saņemt elektriskās strāvas triecienu.
- **Strādājot ar elektroinstrumentu ārpus telpām, nodrošiniet, lai arī izmantotie vadu pagarinātāji būtu piemēroti āra darbiem.** Āra darbiem paredzēta vadu pagarinātāja izmantošana samazina elektriskās strāvas triecienu risku.
- **Ja nav iespējams izvairīties no elektroinstrumenta darbināšanas mitrā vietā, izmantojiet barošanas sistēmu, kas aizsargāta ar noplūdes strāvas aizsardzības ierīcēm (RCD).** Noplūdes strāvas aizsardzības ierīču izmantošana samazina elektriskās strāvas triecienu risku.

PERSONĪGĀ DROŠĪBA

- **Darbinot elektroinstrumentu, esiet modri, pievērsiet uzmanību tam, ko jūs darāt, un rīkojieties ar to saprātīgi. Nelietojiet elektroinstrumentu, ja esat noguris, atrodaties apreibinošu vielu vai alkohola iedarbībā vai lietojat medikamentus.** Pat viens mirklis neuzmanības elektroinstrumenta lietošanas laikā var kļūt par cēloni nopietnām traumām.
- **Izmantojiet individuālos aizsarglīdzekļus. Vienmēr valkājiet acu aizsarglīdzekļus.** Ja tiek lietots darba specifiskai atbilstošs aizsargaprīkojums, piemēram, maska ar putekļu filtru, neslidoši darba apavi, ķivere vai austiņas, samazinās traumu gūšanas risks.
- **Novērsiet nejaušanas ieslēgšanās iespējamību. Pirms instrumenta pievienošanas strāvas avotam un/vai akumulatoram pārlicinieties, vai slēdzis atrodas izslēgtā stāvoklī.** Pārnēsājot elektroinstrumentu ar pirkstu uz slēdža vai iedarbinot elektroinstrumentu, kas jau ir ieslēgtā stāvoklī, var notikt nelaimes gadījums.
- **Pirms elektroinstrumenta ieslēgšanas izņemiet visas noregulēšanas vai uzgriežņu atslēgas.** Regulēšanas instruments vai atslēga, kas palikusi elektroinstrumenta rotējošās daļās, var izraisīt traumas.

LV

- **Nepārvērtējiet savas spējas. Iegemiet pareizu stāju un vienmēr saglabājiet līdzsvaru.** Tādējādi jūs varēsiet labāk apvaldīt elektroinstrumentu negaidītās situācijās.
- **Valkājiet atbilstošu apģērbu. Nevalkājiet vaļīgu apģērbu vai rotaslietas. Neļaujiet saviem matiem, apģērbam un cimdiem nonākt saskarē ar kustīgajām daļām.** Vaļīgs apģērbs, rotaslietas vai gari mati var iekļerties ierīces kustīgajās daļās.
- **Ja ierīces ir paredzētas savienošanai ar putekļu nosūkšanas un savākšanas iekārtām, pārliecinieties, vai tās ir pieslēgtas un tiek izmantotas pareizi.** Putekļu savākšanas iekārtu izmantošana var samazināt ar putekļiem saistītos apdraudējumus.
- **Nepieļaujiet, ka instrumentu bieža lietošana varētu izraisīt nevērīgu attieksmi darbā ar tiem, un neignorējiet ar instrumenta lietošanu saistītos drošības principus.** Viens brīdis neuzmanības var izraisīt nopietnas traumas.

ELEKTROINSTRUMENTA LIETOŠANA UN APKOPE

- **Nespiediet elektroinstrumentu ar spēku.** Lietojiet attiecīgajam darbam piemērotāko elektroinstrumentu. Piemērots elektroinstrumentis labāk un drošāk spēs izpildīt veicamo darbu, darbojoties tam paredzētajā ātrumā.
- **Nelietojiet elektroinstrumentu, ja to nav iespējams ieslēgt un izslēgt ar slēdzi.** Ja elektroinstrumentu nav iespējams ieslēgt un izslēgt ar slēdzi, tas ir bīstams, tāpēc nekavējoties jāsabalabo.
- **Pirms jebkādu pielāgojumu veikšanas, piederumu maiņas vai elektroinstrumenta novietošanas glabāšanā atvienojiet kontaktdakšu no barošanas avota un/vai izņemiet no elektroinstrumenta akumulatoru.** Šādi piesardzības pasākumi palīdzēs novērst nejašu elektroinstrumenta ieslēgšanu.
- **Ja elektroinstrumenti kādu laiku netiek lietoti, uzglabājiet tos bērniem nepieejamā vietā un neļaujiet ar elektroinstrumentu darboties personām, kas instrumentu nepārzina vai nav izlasījušas šīs instrukcijas.** Nemākulīgās rokās nonākuši elektroinstrumenti ir potenciāls briesmu avots.
- **Veiciet elektroinstrumentam un piederumiem apkopi.** Pārbaudiet, vai ir pareizi uzstādītas kustīgās daļas un vai tās neķeras, un vai elektroinstrumenta daļām nav bojājumu, kas var negatīvi ietekmēt tā darbību. Bojāts elektroinstrumentis ir jāabalabo pirms nākamās lietošanas reizes. Daudzu negadījumu cēlonis ir sliktā stāvoklī esošu elektroinstrumentu izmantošana.

- **Griezējinstrumentiem jābūt asiem un tīriem.** Rūpīgi kopti griezējinstrumenti retāk iestrēgst un ir vieglāk vadāmi.
- **Lietojiet elektroinstrumentu, tā piederumus un maināmos instrumentus, kā arī citus saistītos elementus atbilstoši šiem norādījumiem, ņemot vērā darba apstākļus un veicamo uzdevumu.** Elektroinstrumenta lietošana neparedzētiem mērķiem var radīt bīstamu situāciju.
- **Rokturiem un satveršanas daļām jābūt sausiem, tīriem un uz tiem nedrīkst būt eļļa vai smērviela.** Ja rokturi un satveršanas daļas ir mitras, tās slidēs, un ar instrumentu vairs nebūs droši strādāt, kā arī apvaldīt neparedzētu apstākļu gadījumos.

AKUMULATORA LIETOŠANA UN APKOPE

- **Uzlādējiet ierīci tikai ar ražotāja noteikto lādētāju.** Lādētājs, kas paredzēts lietošanai tikai ar viena veida akumulatoru bloku, var radīt aizdegšanās draudus, ja to izmanto kopā ar citu akumulatoru bloku.
- **Lietojiet elektroinstrumentus kopā tikai ar tiem paredzētiem akumulatoru blokiem.** Jebkura cita akumulatoru bloka lietošana var radīt traumu gūšanas un aizdegšanās risku.
- **Kad akumulatoru bloks netiek izmantots, neglabājiet to citu metāla priekšmetu, piemēram, papīra saspaužu, monētu, atslēgu, naglu, skrūvju vai citu sīku metāla priekšmetu, kas var veidot savienojumu starp spailēm, tuvumā.** Akumulatora spaiļu īsslēgums var izraisīt aizdegšanos vai ugunsgrēku.
- **Nepareizas rīcības gadījumā no akumulatora var izteciēt šķidrums; izvairieties no saskares ar to. Ja tas nejausi nokļuvis uz ādas, noskalojiet ar ūdeni.** Ja šķidrums iekļuvis acīs, nekavējoties meklējiet medicīnisko palīdzību. No akumulatora izkļušais šķidrums var izraisīt kairinājumu vai apdegumus.
- **Nelietojiet bojātu vai pārveidotu akumulatoru bloku vai instrumentu.** Bojātu vai pārveidotu akumulatoru izmantošana var radīt neparedzamus apstākļus, kas rada aizdegšanās, sprādziena vai traumas gūšanas draudus.
- **Nepakļaujiet akumulatoru bloku vai instrumentu uguns liesmu vai pārmērīgas temperatūras iedarbībai.** Uguns liesmu iedarbība vai temperatūra virs 130 °C var izraisīt sprādzieni.
- **Izpildiet visas uzlādēšanas instrukcijas un neuzlādējiet akumulatoru bloku vai instrumentu ārpus instrukcijās norādītajām temperatūras vērtībām.** Ja instruments tiek uzlādēts nepareizi vai tiek pārsniegtas instrukcijās norādītās uzlādēšanas temperatūras vērtības, akumulators var sabojāties un palielināt aizdegšanās risku.

SERVISS

- **Elektroinstrumenta remontdarbus drīkst veikt tikai kvalificēts speciālists, izmantojot tikai oriģinālās rezerves daļas.** Tādējādi tiks garantēts elektroinstrumenta lietošanas drošums.
- **Nekad neveiciet bojātam akumulatoru blokam remontdarbus pašrocīgi.** Bojāta akumulatoru bloka remontdarbus drīkst veikt tikai ražotājs vai pilnvaroti servisa darbinieki.

DROŠĪBAS NOTEIKUMI DARBAM AR BEZVADU ZĀLES PĻĀVĒJU

▲ BĪSTAMI! ŠT pļaujmašīna ir konstruēta ekspluatēšanai atbilstoši šajā rokasgrāmatā ietvertajiem drošības noteikumiem. Kā jau jebkura cita elektroaprīkojuma gadījumā — mirklis neuzmanības pļaujmašīnas darbības laikā vai pieļauta kļūda var radīt nopietnas traumas. Pļaujmašīna var sagriezt rokas un kājas, kā arī atsviest priekšmetus. Sekojošo drošības norādījumu neievērošana var izraisīt nopietnas traumas vai pat nāvi.

▲ BRĪDINĀJUMS! Izmantojot bezvadu zāles pļāvēju, vienmēr veiciet pamata piesardzības pasākumus, lai mazinātu aizdegšanās, elektriskās strāvas trieciena vai traumu rašanās draudus.

SVARĪGI!

RŪPĪGI IZLASIET PIRMS LIETOŠANAS. SAGLABĀJIET TURPMĀKAI LIETOŠANAI.

DROŠĪBAS NOTEIKUMI, STRĀDĀJOT AR BEZVADU ZĀLES PĻĀVĒJIEM:

UZMANĪBU! NEPIESKARIETIES ROTĒJOŠAM ASMENIM!

APMĀCĪBA

- Rūpīgi izlasiet visus norādījumus. Uzziniet, kā pļaujmašīnu pareizi vadīt un lietot.
- Nekad neļaujiet cilvēkiem, kuri nav iepazinušies ar šīm instrukcijām, kā arī bērniem, lietot šo pļaujmašīnu. Vietējie noteikumi var ierobežot pļaujmašīnas lietotāja vecumu.
- Nekad neļaujiet zāli, kamēr cilvēki, it īpaši bērni vai dzīvnieki atrodas pļaušanas zonas tuvumā.
- Operators vai lietotājs ir atbildīgs par nelaimes gadījumiem vai apdraudējumiem, kas var gadīties citiem cilvēkiem vai viņu īpašumam.

SAGATAVOŠANĀS

- Pļaušanas laikā vienmēr valkājiet atbilstošus apavus un garās bikses.

- Nestrādājiet ar pļaujmašīnu basām kājām vai sandalēs. Nevelciet brīvu apģērbu, kā arī apģērbu ar šņorītēm vai auklīņām.
- Rūpīgi pārbaudiet zonu, kurā izmantosiet pļaujmašīnu, un aizvāciet visus akmeņus, zarus, vadus, kaulus un citus svešķermeņus.
- Pirms lietošanas vienmēr apskatiet, vai nav nodiluši vai bojāti asmeņi, asmeņu bultskrūves un griezējmezgls. Nomainiet visus asmeņus un bultskrūves vienlaicīgi, lai netiktu izjaukts rotējošo daļu līdzsvars. Nomainiet bojātās vai nesalāsāmās etiķetes.

LIETOŠANA

- Pļaujiet zāli tikai dienas gaismā vai labā mākslīgajā apgaismojumā.
- Ja iespējams, neļaujiet mitru zāli.
- Vienmēr pārliecinieties, vai jums, atrodoties slīpumā, zem kājām ir drošs pamats.
- Ejiet, nekad neskrieniet.
- Zāles pļāvējiem ar rotējošiem riteniem — pļaujiet tikai šķērsām pret slīpumu, bet nekad uz augšu un uz leju.
- Esiet īpaši uzmanīgs(-a), kad, atrodoties slīpumā, maināt virzienu.
- Neļaujiet zāli pārāk lielā slīpumā.
- Esiet īpaši piesardzīgs(-a), stumjot pļaujmašīnu atpakaļgaitā, vai velkot to uz savu pusi.
- Apturiet asmeni(-ņus), ja pļaujmašīna ir jāsasver transportēšanai, šķērsojot citas virsmas, zāles izņemšanai vai arī pārvešanai uz pļaujamo teritoriju vai no tās.
- Nekad nelietojiet pļaujmašīnu, ja tai ir bojāti aizsargi vai nav uzstādītas drošības ierīces, piemēram, deflektors un/vai zāles savācējs.
- Ieslēdziet motoru atbilstoši norādēm, un raugiet, lai pēdas šajā laikā atrastos pietiekamā attālumā no asmens(-ņiem).
- Motora iedarbināšanas laikā nedrīkst sasvērt pļaujmašīnu, izņemot gadījumus, kad tai ir jābūt sasvērtai, lai iedarbinātu. Šādā gadījumā nesasveriet pļaujmašīnu vairāk nekā tas ir absolūti nepieciešams, un paceliet tikai to daļu, kas atrodas tālāk no operatora. Abām rokām vienmēr ir jāatrodas darba stāvoklī pirms pļaujmašīna tiek novietota atpakaļ uz zemes. Nedarbiniet pļaujmašīnu, ja atrodaties izlādes teknes priekšpusē.
- Neturiet plaukstu vai pēdas rotējošu daļu tuvumā vai zem tām. Rotējošiem zāles pļāvējiem — vienmēr uzturiet izlādes teknes atveri tīru.

- Nekad neceliet un nenesiet pļaujmašīnu, kamēr darbojas motors.
- Pirms regulēšanas vai tīrīšanas darbu veikšanas izslēdziet un izņemiet akumulatoru bloku (vai izslēgšanas ietaisi) un pārbaudiet, vai visas kustīgās daļas ir pilnībā apstājušās:
 - ikreiz, kad dodaties projām no pļaujmašīnas;
 - pirms sākat tīrīt aizsērējušos tekni;
 - pirms pļaujmašīnai veicat pārbaudes, tīrīšanas un apkopes darbus;
 - pēc pļaujmašīnas sadursmes ar svešķermeņiem.Pārbaudiet, vai pļaujmašīnai nav bojājumu, un, ja nepieciešams, veiciet remontu.
- Ja pļaujmašīna sāk neparasti vibrēt (apskatiet nekavējoties):
 - pārbaudiet, vai tai nav radušies bojājumi;
 - nomainiet vai salabojiet visas bojātās detaļas;
 - pārbaudiet un pievelciet visas atskrūvējušās detaļas.

APKOPE UN UZGLABĀŠANA

- Pļaujmašīnas regulēšanas darbu laikā rīkojieties uzmanīgi, lai starp kustīgajiem asmeņiem un fiksētajām daļām neiespiestu pirkstus.
- Visiem uzgriežņiem un skrūvēm ir jābūt kārtīgi pievilktiem, lai pļaujmašīna būtu droša darba stāvoklī.
- Regulāri pārbaudiet, vai zāles savācējs nav nodilis un vai tam nav radušies bojājumi.
- Drošības nolūkos nodilušās vai bojātās daļas ir jānomaina.
- Bērniem nav atļauts veikt tīrīšanas un lietotājam veicamās apkopes darbus bez uzraudzības.
- Veicot asmeņiem apkopi, ņemiet vērā, ka pat tad, ja barošanas avots ir izslēgts, asmeņi vēl aizvien var rotēt.
- Rotējošiem zāles pļāvējiem izmantojiet tikai pareizā tipa rezerves griezējinstrumentus.

PERSONISKĀ DROŠĪBA

Pļaujmašīnas lietotāja neuzmanība var izraisīt negadījumu ar traģiskām sekām, kam bērni var tikt pakļauti, atrodoties pļaušanas zonā. Bērnu uzmanību bieži piesaista pļaujmašīnas un pļaušana. Bērni neapzinās draudus. Ņemiet vērā, ka bērni nekad nepalikis vietā, kur jūs tos redzējāt pēdējo reizi.

- Neļaujiet bērniem tuvoties pļaušanas zonai un raugiet, lai tie atrastos stingrā pieaugušo uzraudzībā.
- Novērojiet apkārtni un nekavējoties izslēdziet zāles pļāvēju, ja bērni ienākuši pļaušanas darba zonā.
- Esiet īpaši piesardzīgs(-a), tuvojoties nepārredzamiem stūriem, ieejām, krūmiem, kokiem, vai citiem priekšmetiem, kas var aizsegst jūsu skatu, nepamanot bērnu, kurš varētu uzskriet zāles pļāvējam ceļā.

- Uzraugiet, lai bērni nerotaļātos ar zāles pļāvēju.
- Vienmēr pirms akumulatoru bloka izņemšanas izslēdziet zāles pļāvēju. Apturiet asmeni(-ņus), ja pļaujmašīna ir jāsasver transportēšanai, šķērsojot citas virsmas, zāles izņemšanai vai arī pārvešanai uz pļaujamo teritoriju vai no tās.

LIETOŠANA

VISPĀRĒJĀ DARBĪBA:

- Pirms pļaujmašīnas montāžas rūpīgi izlasiet šo lietošanas rokasgrāmatu. Pirms uzsākat pļaut, izlasiet, izprotiet un ievērojiet visas lietošanas norādes gan uz pļaujmašīnas, gan arī lietošanas instrukcijā. Pirms uzsākat darbu, iepazīstieties ar vadības ierīcēm pilnībā un to, kā pareizi lietot zāles pļāvēju. Glabājiet šo rokasgrāmatu drošā vietā turpmākai uzziņai un rezerves daļu pasūtīšanai, un regulāri pārļasiel to.
- Lietojiet zāles pļāvēju tam paredzētajam mērķim — neizmantojiet to nolūkiem, kuriem tas nav paredzēts.
- Nepārvērtējiet savas spējas — vienmēr stāviet stabili un saglabājiet līdzsvaru.
- Priekšmeti, kas atsitas pret zāles pļāvēja asmeni, var izraisīt smagas traumas. Pirms katras pļaušanas reizes zālājs vienmēr rūpīgi jāpārbauda un jāattīra no cietajiem priekšmetiem.
- Pirms pļaušanas uzsākšanas, kā arī ejot atpakaļgaitā, apskatiet, vai ceļā nav bērnu un citu cilvēku.
- Šī pļaujmašīna nav ierīce, ar kuru var rotaļāties. Tādēļ vienmēr ievērojiet īpašu piesardzību. Zāles pļāvējs ir paredzēts tikai un vienīgi zāles pļaušanai. Nelietojiet to citiem mērķiem.
- Nestumiet zāles pļāvēju ar spēku — tas labāk un drošāk spēs izpildīt veicamo darbu, darbojoties tam paredzētajā ātrumā.
- Pirms lietošanas vienmēr apskatiet, vai nav nodiluši vai bojāti asmeņi, asmeņu bulskrūves un griezējmezgls. Nomainiet nodilušos vai bojātos asmeņus, bulskrūves un citus komponentus vienlaicīgi, lai netiktu izjaukts šo daļu līdzsvars. Nomainiet bojātās vai nesalasāmās etiķetes.
- Esiet īpaši piesardzīgs(-a), stumjot pļaujmašīnu atpakaļgaitā, vai velkot to uz savu pusi.
- Rūpīgi pārbaudiet zonu, kur tiks izmantots zāles pļāvējs. Aizvāciet visus akmeņus, zarus, stieples, rotaļlietas un citus priekšmetus, kuriem zāles pļāvējs var pāri pārbraukt, vai kurus var izmest asmens. Izmeti priekšmeti var izraisīt nopietnas traumas. Iepriekš saplānoji, kā pļausiet zāli, lai nopļautā zāle netiktu mesta ceļā, ietjvu un apkārtējo cilvēku virzienā. Raugiet, lai nopļautā zāle netiktu izmesta virzienā uz sienām vai kādu šķērslī, kas var atsīviest zāli atpakaļ lietotāja virzienā.

- Lai izvairītos no saskares ar asmeni vai miesas bojājumu gūšanas, ko rada atmetī priekšmeti, stāviet darba zonā aiz rokturim, un raugiet, lai bērni un klātesošie atrastos vismaz 30 m attālumā no zāles plāvēja, kamēr tas darbojas. Apturiet plaujmašīnu, ja kāds ienācis plaušanas darba zonā.
- Plaušanas laikā, kā arī, veicot regulēšanas vai remontdarbus, vienmēr valkājiet aizsargbrilles vai drošības brilles, lai aizsargātu acis. Izmetī priekšmeti, kas atlec atpakaļ, var izraisīt nopietnas acu traumas. Ja darba vide ir puteļaina, lietojiet sejas vai putekļu masku.
- Ģērbieties atbilstoši — nevalkājiet vaļīgas drēbes un rotaslietas. Tās var tikt ierautas kustīgajās daļās. Strādājot ārpus telpām, ieteicams valkāt gumijas cimdus un apavus. Valkājiet izturīgus darba apavus ar biezu zoli un cieši piegulošas bikses un kreklu. Ieteicams valkāt kreklu un bikses, kas piekļaujas rokām un kājām, kā arī apavus ar tērauda purngalu. Nedarbiniet plaujmašīnu, ja jums ir basas kājas vai kājās ir sandales vai vieglas (piemēram, brezenta auduma) kurpes.
- Nelieciet rokas vai kājas pie rotējošajām daļām vai zem plaušanas bloka. Nonākot saskarē ar asmeni, varat sagriezt rokas un kājas.
- Ja nav uzlikts izlādes pārsegs vai tas ir bojāts, varat nonākt saskarē ar asmeņiem vai gūt traumas no izsviestiem priekšmetiem.
- Vairums traumu rodas, kad zāles plāvējs pārbrauc pāri pēdām kritiena laikā, ko izraisa paslīdēšana vai pakļūšana. Ja krītat zemē, neturieties pie zāles plāvēja, nekavējoties atlaidiet rokturi.
- Pārvietošanās laikā nekad nevelciet plāvēju atpakaļvirzienā uz sevi. Ja zāles plāvējs ir jānostumj nost no sienas vai kāda šķēršļa, vispirms paskatieties uz leju un aiz sevis, lai nepakļūtu, un pēc tam rīkojieties šādi:
 - solis atpakaļ no zāles plāvēja, lai varētu pilnībā izstiept rokas;
 - saglabājiet līdzsvaru un ieņemiet drošu stāju;
 - lēnām velciet zāles plāvēju atpakaļgaitā, bet ne vairāk kā pusceļu no sevis;
 - ja nepieciešams, atkārojiet šīs darbības.
- Nedarbiniet plaujmašīnu, ja esat alkohola vai preibinošu vielu ietekmē.
- Saglabājiet modrību — sekojiet līdzi visam, ko darāt. Rīkojieties saprātīgi. Nedarbiniet zāles plāvēju, ja jūtat nogurumu.
- Motora/asmens vadības rokturis ir drošības ierīce. Nekad nemēģiniet izmainīt tā darbību. Pretējā gadījumā drošības ierīce var nedarboties un izraisīt traumas, kuras rodas, saskaroties ar rotējošo asmeni. Motora/

asmens vadības rokturis jābūt viegli darbināmam abos virzienos un, to atlaižot, automātiski jāatgriežas nesaslēgtā stāvoklī.

- Izvairieties no bīstamas vides — nelietojiet zāles plāvēju mitrās vietās.
- Nelietojiet lietū.
- Vienmēr ieturiet stabili stāju. Paslīdēšana un pakļūšana var izraisīt nopietnas traumas. Ja jūtat, ka varat paslīdēt vai pakļūt, nekavējoties atlaidiet motora/asmens vadības rokturi, un asmens pārstās griezties trīs sekunžu laikā.
- Apturiet asmeni, šķērsojot grants ceļinus, gājēju ceļinus vai ceļu.
- Ja plaujmašīna sāk neierasti vibrēt, apturiet motoru un nekavējoties nosakiet cēloni. Vibrēšana parasti brīdina par kļūmi:
 - pārbaudiet, vai plaujmašīnai nav radušies bojājumi;
 - nomainiet vai salabojiet visas bojātās daļas, kuras drīkst mainīt vai labot lietotājs;
 - pārbaudiet un pievelciet visas atskrūvējušās detaļas;
 - nekādā gadījumā nedarbiniet zāles plāvēju, ja nav uzstādīts atbilstošs aizmugurējais aizsargs, izlādes pārsegs, zāles savācējgrozs, mulčēšanas ieliktnis, sānu izlādes tekne, motora/asmens vadības rokturis vai cita drošības ierīce. Nekad nedarbiniet zāles plāvēju ar bojātām drošības ierīcēm. Pretējā gadījumā tas var radīt miesas bojājumus.
- Gadījumos, kas nav aprakstīti šajā rokasgrāmatā, esiet uzmanīgi un rīkojieties prātīgi. Lai saņemtu palīdzību, sazinieties ar EGO Klientu apkalpošanas centru.
- Pirms nodotat ierīci uz atkritumu savākšanas punktu, izņemiet no tās akumulatoru bloku.
- No akumulatora jāatbrīvojas drošā veidā.

LV

PLAUŠANA SLĪPUMĀ:

Nogāzes ir galvenais faktors, kas saistīts ar paslīdēšanas un pakļūšanas negadījumiem, kas var novest pie smagu traumu gūšanas. Vienmēr pārliecinieties, vai jums, atrodoties slīpumā, zem kājām ir drošs pamats. Plaujot slīpumā ir nepieciešama papildus piesardzība. Ja jūtaties neomulīgi, plaujot nogāzēs, neplaujiet.

Kā rīkoties:

- Plaujiet tikai šķērsām pret nogāzi, bet nekad uz augšu un uz leju. Esiet īpaši uzmanīgs(-a), kad maināt virzienu, atrodoties slīpumā.
- Uzmanieties no bedrēm, grambām, akmeņiem, paslēptiem priekšmetiem vai izciļņiem, kuru dēļ varat paslīdēt vai pakļūt. Garā zālē var atrasties šķēršļi, kurus nevarat saskatīt.

Kā nerīkoties:

- Neļaujiet tuvu pie nomalēm, grāvjiem, vai aizsprostiem; šādi jūs varat zaudēt līdzsvaru.
- Neļaujiet stipumā, kas ir lielāks par 15 grādiem.
- Neļaujiet mitru vai slapju zāli. Nestabils pamats zem kājām var izraisīt slīdēšanu.

APKOPE

▲ BRĪDINĀJUMS! Zāles savācējgropa komponenti, izlādes pārsegs, sānu izlādes tekne, mulčēšanas ieliktnis un aizmugures aizsargs ir pakļauti nodilumam un bojājumiem, kas var ietekmēt kustīgās daļas vai atsīstīt priekšmetus, tādējādi palielinot traumu gūšanas risku. Drošības nolūkā bieži pārbaudiet visas detaļas un nekavējoties nomainiet bojātās detaļas ar identiskām rezerves daļām, kas uzskaitītas šajā rokasgrāmatā. Sazinieties ar EGO klientu apkalpošanas dienestu vai tuvāko EGO servisa centru, kurā kvalificēts servisa speciālists veiks remontu vai nomainīs bojāto detaļu.

- Ja zāles plāvēja iebūvētais pārslodzes aizsardzības slēdzis bieži izslēdzas, sazinieties ar EGO klientu apkalpošanas dienestu vai tuvāko EGO servisa centru.
- Nemazgājiet zāles plāvēju ar šūteni; nepieļaujiet, ka ūdens iekļūst motorā un elektriskajos savienojumos.
- Kad neizmantojat zāles plāvēju, izņemiet atslēgu un uzglabājiet iekštelpās. Pirms novietojat pļaujmašīnu uzglabāšanas telpā, pagaidiet, kamēr atdziest motors. Zāles plāvēju jāuzglabā sausā vietā, ieslēgtu augstā pozīcijā, vai aizslēgtā uzglabāšanas telpā, kurai nevar piekļūt bērni.
- Veicot pļaujmašīnai apkopes un servisa darbus, izmantojiet tikai identiskas rezerves daļas, kas norādītas šajā rokasgrāmatā. Oriģinālā aprīkojuma specifikācijām neatbilstošu daļu izmantošana var radīt nepareizu pļaujmašīnas darbību un apdraudēt jūsu drošību.
- Pirms zāles plāvējam veic apkopes vai tīrīšanas darbus vai arī izņem no tā iestrēgušu materiālu, jāizņem vai jāatvieno akumulatoru bloks.
- Ievērojiet piederumu maiņas norādījumus.
- Rokturim jābūt sausiem, tīriem un uz tiem nedrīkst būt eļļa vai smērviela.
- Lai mazinātu aizdegšanās draudus, motora pārsegā nedrīkst būt zāle un lapas, kā arī pārāk daudz uzkrājušies zāles atgriezumi.
- Regulāri pārbaudiet, vai nav atskrūvējušās asmens un motora uzstādīšanas bultskrūves. Tāpat aplūkojiet, vai nav bojāts asmens (piemēram, vai tas nav saliekts, iekļūst vai nodilis). Nomainiet asmeni tikai ar identisku rezerves asmeni, kas uzskaitīts šajā

rokasgrāmatā.

- Uzturiet zāles plāvēju labā darba stāvoklī — lai zāli noļautu vislabāk un drošāk, asmenim jābūt asam un tīram. Pļaujmašīnas asmeņi ir asi, un ar tiem var sagriezties. Veicot asmenim apkopes vai remonta darbus, aptiniet ap asmeni lupatīņu vai valkājiet cimdus, un rīkojieties piesardzīgi.
- Nekad nenonemiet drošības ierīces un nemēģiniet pārveidot to darbību. Regulāri pārbaudiet, vai tās vēl aizvien pareizi darbojas. Nekad neveiciet tādas darbības, kuru rezultātā tiek izmainītas drošības ierīču paredzētās funkcijas vai samazināta šādu ierīču sniegtā aizsardzība.
- Vienmēr pirms regulējat riteni vai pļaušanas augstumu apturiet motoru.
- Pēc zāles plāvēja sadursmes ar svešķermeni apturiet motoru, izņemiet atslēgu un rūpīgi pārbaudiet, vai zāles plāvējam nav radušies kādi bojājumi. Pirms turpināt pļaut, zāles plāvējs ir jāsalabo.
- Saglabājiet vai, ja nepieciešams, nomainiet drošības un instrukciju etiķetes. Sazinieties ar EGO klientu apkalpošanas dienestu vai tuvāko EGO servisa centru, kurā kvalificēts servisa speciālists veiks remontu vai nomainīs bojāto detaļu.
- **SAGLABĀJIET ŠO INSTRUKCIJU.** Vairākkārt pārlasiet izmantojiet instrukciju, lai sniegtu norādījumus citiem, kas izmanto šo griezējinstrumentu. Ja kādam aizdodāt pļaujmašīnu, iedodiet līdzi arī šo instrukciju, lai nodrošinātu, ka pļaujmašīna tiek pareizi izmantota, un neradītu traumu gūšanas bīstamību.

AKUMULATORA LIETOŠANA UN APKOPE

- Lai taupītu dabas resursus, lūdzu, pārstrādājiet vai atbrīvojieties no akumulatora pareizā veidā. Šis izstrādājums satur litija jonu akumulatorus. Vietējie vai valsts tiesību akti aizliedz litija jonu akumulatoru nodošanu parastos atkritumos. Lai iegūtu informāciju par otrreizējās pārstrādes un/vai utilizēšanas iespējām, sazinieties ar vietējo par atkritumu apsaimniekošanu atbildīgo varas iestādi.
- Pēc akumulatoru bloka izņemšanas, lai to utilizētu vai nodotu atkārtotai pārstrādei, pārklājiet akumulatoru bloka spailes ar izturīgu līmeni. Nemēģiniet iznīcināt vai izjaukt akumulatoru bloku vai izņemt kādu no tā sastāvdaļām. Litija jonu akumulatora atkārtota pārstrāde vai utilizēšana ir jāveic pareizi. Tāpat nekad nepieskarieties spailēm ar metāliskiem priekšmetiem un/vai ķermeņa daļām, jo tādējādi iespējams izveidot īsslēgumu. Sargiet no bērniem. Neievērojot šos brīdinājumus, iespējams izraisīt ugunsgrēku un/vai gūt nopietnas traumas.

- **NEPAREIZAS RĪCĪBAS GADĪJUMĀ NO AKUMULATORA VAR IZTECĒT ŠKĪDRUMS; IZVAIRĪETIES NO SASKARES AR TO. JA TĀS TOMĒR NEJAUŠI NOTICIS, SKARTO VIETU NEKĀVĒJOTIES NOSKALOJIET AR ŪDENI. JA ŠIS ŠKĪDRUMS NONĀK ACĪS, VĒRSIETIES PĒC MEDICĪNISKAS PALĪDZĪBAS.** No akumulatora iztecejijs šķidrums var izraisīt kairinājumu vai apdegumus.

SPECIFIKĀCIJAS

Modeļa numurs	LM2020E	LM2020E-SP	
Pašgājēja sistēma	Nē	Jā	
Spriegums	56 V	56 V	
Ātrums bez slodzes	3000 /min	3000 /min	
Griešanas augstums	25-95 mm	25-95 mm	
Ieteicamā darba temperatūra:	0°C - 40°C	0°C - 40°C	
Ieteicamā uzglabāšanas temperatūra:	-20°C–70°C	-20°C–70°C	
Griešanas augstuma pozīcijas	6	6	
Pamatnes izmērs	51 cm	51 cm	
Griešanas platums	50 cm	50 cm	
Zāles maisa tilpums	60 L	60 L	
Pļāvēja augstums (bez akumulatora, Mulčošanas ieliktnis)	24,4 kg	27,2 kg	
Asmens modelis	AB2001	AB2001	
Izmērītais skaņas jaudas līmenis L_{WA}	91,5 dB(A) K=1,80 dB(A)	91,0 dB(A) K=1,89 dB(A)	
Skaņas spiediena līmenis pie operatora auss L_{PA} K=3 dB(A)	79,5 dB(A)	79,2 dB(A)	
Garantētais skaņas jaudas līmenis L_{WA} (atbilstoši 2000/14/EK)	93 dB(A)	93 dB(A)	
Vibrācija a_{rh} K=1,5 m/s ²	Kreisais rokturis	≤2,5 m/s ²	≤2,5 m/s ²
	Labais rokturis	≤2,5 m/s ²	≤2,5 m/s ²
Asmens bremze	Jā	Jā	

- Deklarētā vibrācijas kopējā vērtība ir izmērīta saskaņā ar standarta testa metodi un tā var tikt izmantota viena instrumenta salīdzināšanai ar citu.
- Deklarētā vibrācijas kopējā vērtība var tikt izmantota arī iedarbības sākotnējā novērtēšanā.

PIEZĪME: Radītās vibrācijas elektroinstrumenta faktiskās lietošanas laikā var atšķirties no deklarētās vērtības; lai operators tiktu pasargāts, faktiskajos izmantošanas apstākļos ieteicams valkāt cimdus un lietot dzirdes aizsargus.

KOMPLEKTĀCIJA

DETAĻAS NOSAUKUMS	DAUDZUMS
Zāles pļāvējs	1
Zāles maiss	1
Zāles maisa karkass	1
Smalcināšanas ieliktnis	1
Sānu izmešu tekne	1
Drošības atslēga	1
Operatora rokasgrāmata	1

APRAKSTS

IEPAZĪSTIET SAVU PĻĀVĒJU (Zīm. A, B, C, D, E)

- 1 Drošības slēdzis (drošības svira)
- 2 Rokturis
- 3 Drošības poga
- 4 Pašgājēja triggeris
- 5 Roktura bloķēšanas spaiļi
- 6 Zāles maiss
- 7 Griešanas augstuma regulēšanas svira
- 8 Aizmugurējais ritenis
- 9 Sānu izlādes durvis
- 10 Pļāvēja pamatne
- 11 LED priekšējie lukturi
- 12 Pārsega vāks
- 13 Priekšējais ritenis
- 14 Akumulatora pārsegs
- 15 Aizmugurējais rokturis
- 16 Ātrās regulēšanas svira
- 17 Aizmugures izlādes durvītiņas
- 18 Sānu slīde
- 19 Pašgājēja ātruma vadības svira
- 20 Piekabināms aizsargs
- 21 LED priekšējo lukturu slēdža poga
- 22 Strāvas indikators
- 23 Akumulatora atbrīvošanas poga
- 24 Drošības atslēgas sprauga
- 25 Mulčošanas ieliktnis
- 26 Sānu izlādes tekne

DARBĪBA

ZĀLES MAISA SALIKŠANA

- 1) Uzvelciet zāles maisu uz karkasa (Zīm. F).
- 2) Piestipriniet karkasam augšējos klipšus (Zīm. G.), pēc tam nostipriniet abus sānu klipšus. Visbeidzot nostipriniet apakšējo klipši.
- 3) Attēlā H ir redzams pilnībā saliktais zāles maiss.

SALOKĀMĀ ROKTURA REGULĒŠANA

▲ BRĪDINĀJUMS: Nedarbiniet plāvēju, kamēr rokturis nav fiksēts kādā no trim iepriekš iestatītajām darbības pozīcijām (AUGŠĒJĀ DARBĪBAS POZĪCIJĀ, VIDĒJĀ DARBĪBAS POZĪCIJĀ vai APAKŠĒJĀ DARBĪBAS POZĪCIJĀ).

Jūsu plāvējs tiek piegādāts ar rokturi kompaktajā, bloķētajā uzglabāšanas pozīcijā (Zīm. I).

- 1) Lai atlaistu rokturi no BLOĶĒTĀS UZGLABĀŠANAS POZĪCIJAS, nospiediet ātrās regulēšanas sviru un turiet to nospiestu.
- 2) Paceliet rokturi no salocītās pozīcijas, pēc tam atlaidiet rokturi. Uzmanīgi pārsveriet rokturi virzienā uz augšu, līdz izdzirdat un sajūtat bloķēšanas tapas fiksēšanos kādā no J attēlā norādītajām pozīcijām.

Zīm. J detaļu aprakstu skatiet tālāk:

J-1	Nobloķēta uzglabāšanas pozīcija
J-2	Zāles somas papildierīce/noņemšanas pozīcija
J-3	Augstākā darba pozīcija
J-4	Vidējā darba pozīcija
J-5	Zemākā darba pozīcija

LV

ZĀLES MAISA / MULČOŠANAS IELIKTŅA PIEVIENOŠANA/NOŅEMŠANA

▲ BRĪDINĀJUMS: Nekad neveiciet zāles plāvēja regulēšanu, pirms nav apturēts plāvēja motors, izņemta drošības atslēga un asmeņi nav pārtraukuši griezties.

PIEZĪME: Aprīkojumu zāles plāvējam pievienojiet pirms pļaušanas sākšanas.

■ Zāles maisa pievienošana/noņemšana (Zīm. K)

Noregulējiet rokturi atbilstošā darba pozīcijā. Paceliet aizmugures izlādes durtiņas un uzkariniet zāles maisu uz rotējošā stieņa. Lai to noņemtu, vienkārši paceliet zāles maisu uz augšu un noceliet no rotējošā stieņa. Pēc tam atbrīvojiet aizmugures izlādes durtiņas.

PIEZĪME: Pirms zāles maisa pievienošanas plāvējam noņemiet iepriekš uzstādīto mulčošanas ieliktni.

■ Mulčošanas ieliktna pievienošana/noņemšana (Zīm. L)

Paceliet aizmugures izlādes durtiņas un ievietojiet plāvēja mulčošanas ieliktni. Lai to noņemtu, vienkārši izvelciet to ārā. Pēc tam atbrīvojiet aizmugures izlādes durtiņas.

■ Sānu izlādes renes pievienošana/noņemšana (Zīm. M)

Paceliet sānu izlādes durtiņas. Izlīdziniet izlādes renes spraugu ar izlādes durtiņu pogu un viegli atlaidiet sānu izlādes durtiņas, lai tās grieztos ap griešanās stieni, līdz stingri nogulstas uz izlādes renes. Lai to noņemtu, paceliet sānu izlādes durtiņas, paceliet sānu izlādes reni uz augšu, nost no durtiņu montāžas sviras.

Zīm. M detaļu aprakstu skatiet tālāk:

M-1	Sānu izlādes durtiņas
M-2	Montāžas svira
M-3	Montāžas sprauga
M-4	Sānu izlādes rene
M-5	Vira

PIEZĪME. Mulčošanas ieliktnis ir jāuzstāda tikai tad, kad ir pievienota izlādes tekne.

GRIEŠANAS AUGSTUMA REGULĒŠANA (Zīm. N)

▲ BRĪDINĀJUMS: Veicot korpusa augstuma regulēšanu, raugieties, lai jūsu kājas neatrastos tā tuvumā. Zāles plāvējam ir pieejami 6 pļaušanas augstuma iestatījumi no 20 mm līdz 90 mm. Izvēlieties atbilstošo pļaušanas augstumu, izvērtējot zāles veidu un pļaušanas apstākļus.

PIEZĪME: Ja veicat iekārtas pārvietošanu, pārliecinieties, ka pļaušanas augstums ir iestatīts 3. pozīcijā vai augstāk. Pretējā gadījumā iespējams sabojāt asmeni.

AKUMULATORU BLOKA PIEVIENOŠANA/NOŅEMŠANA (Zīm. O)

Izmantojiet tikai A attēlā uzskaitītos akumulatora blokus un lādētājus.

UZLĀDĒJIET PIRMS PIRMĀS LIETOŠANAS REIZES.

▲ BRĪDINĀJUMS: Nemēģiniet pievienot zāles plāvējam akumulatoru bloku vai darbināt zāles plāvēju gadījumā, ja trūkst kāda detaļa vai kāda detaļa ir salauzta; to atļauts darīt tikai tad, ja bojātā detaļa ir tikusi salabota vai aizvietota. Pretējā gadījumā var būt iespējams gūt nopietnus miesas bojājumus.

■ Pievienošana

Iespiediet akumulatoru bloku akumulatora nodalījumā, līdz izdzirdat "klikšķi".

■ Noņemšana

Akumulatora nodalījumā nospiediet akumulatora

atlaišanas pogu.

Zīm. O detaļu aprakstu skatiet tālāk:

O-1	Drošības atslēgas sprauga
O-2	Drošības atslēga
O-3	Akumulatora atbrīvošanas poga

PIEZĪME: Pirms darba uzsākšanas pārliecinieties, ka ir nofiksējies zāles plāvēja aizturis un akumulatoru bloks ir nostiprināts zāles plāvējā.

ZĀLES PLĀVĒJA IEDARBINĀŠANA/IZSLĒGŠANA

▲ BRĪDINĀJUMS: Lietojot jebkāda veida zāles plāvēju, pastāv risks, ka jūs vai kādas citas personas acīs trāpa svešķermeņi, kas var nopietni traumēt acis. Strādājot ar zāles plāvēju, kā arī veicot zāles plāvēja regulēšanas vai remonta darbus, vienmēr valkājiet aizsargbrilles.

▲ BRĪDINĀJUMS: Pārliecinieties, ka, lietojot zāles plāvēju, citas personas un dzīvnieki atrodas vismaz 30m attālumā no tā.

▲ BRĪDINĀJUMS: Asmens turpina rotēt vēl dažas sekundes pēc zāles plāvēja izslēgšanas. Pirms iedarbināt zāles plāvēju atkārtoti, ļaujiet motoram/asmenim apstāties. Neveiciet zāles plāvēja strauju ieslēgšanu un izslēgšanu.

DROŠĪBAS ATSLĒGA

Lai novērstu nejaušu palaidi vai bezvadu plāvēja neatļautu lietošanu, iekārtas konstrukcijā ir iebūvēta noņemama drošības atslēga. Izņemot šo drošības atslēgu no plāvēja, iekārtas darbība tiks pilnībā atspējota.

▲ BĪSTAMI! Rotējošie asmeņi var izraisīt smagas traumas. Lai novērstu smagu traumu rašanos, izņemiet drošības atslēgu brīžos, kad plāvējs netiek pārraudzīts vai kad veicat plāvēja regulēšanu, tīrīšanu, apkopi, transportēšanu, pacelšanu vai uzglabājat to.

PIEZĪME: Motoru ir iespējams iedarbināt tikai tad, ja:

- rokturis ir nofiksēts vienā no darba pozīcijām
- sānu rokturi ir pilnībā izvilkti (P att.);
- abi zāļie roktura bloķētāji ir cieši noslēgti (Q att.).

Q-1	norāde line
-----	-------------

▲ UZMANĪBU! Necentieties manuāli darbināt drošības pogu un drošības slēdzi.

Iedarbināšana

1. Pievienojiet akumulatoru plāvējam, ievietojiet drošības atslēgu atslēgas spraugā un aizveriet akumulatora

pārsegu (Zīm. O).

2. Atbilstoši R attēlam nospiediet uz leju drošības pogu.
3. Kamēr slēdža poga ir nospiesta, pavelciet drošības slēdzi uz augšu līdz rokturim un atlaidiet drošības pogu (S attēls).

Izslēgšana

- 1) Atlaidiet drošības slēdzi.
- 2) Automātiskā bremzēšanas mehānisma elektroniskās bremzes 3 sekunžu laikā pēc drošības slēdža atlaišanas apturēs asmens rotāciju.

PAŠGĀJĒJA SISTĒMA AR MAINĪGU ĀTRUMU

LM2020E-SP plāvējs ir aprīkots ar pašgājēja sistēmu ar mainīgu darbības ātruma iespēju. Šī sistēma darbojas neatkarīgi no ieslēgšanas/izslēgšanas slēdža un no asmeņu griešanās.

Lai darbinātu šo sistēmu bez asmeņu griešanās, pavelciet pašgājēja trigeri uz roktura pusi.

Lai izslēgtu pašgājēja sistēmu, atlaidiet pašgājēja trigeri.

Sistēmai ir mainīgs darbības ātrums. Lai palielinātu ātrumu, pārvietojiet pašgājēja ātruma vadības sviru uz priekšu. Lai samazinātu ātrumu, pārvietojiet pašgājēja ātruma vadības sviru atpakaļ (Zīm. T).

Iekārtas darbināšana ar plaušanas asmens griešanos:

1. Iedarbiniet plāvēju.
2. Turot drošības slēdzi piespiestu pie roktura ar kreiso roku, ar labo roku pavelciet pašgaitas iedarbināšanas slēdzi uz roktura pusi.
3. Ar labo roku pie roktura vienlaicīgi turiet piespiestu drošības slēdzi un pašgaitas iedarbināšanas slēdzi, savukārt ar kreiso roku noregulējiet pašgaitas ātruma kontroles sviru, lai izvēlētos atbilstošu ātrumu.

▲ BRĪDINĀJUMS: Lai mazinātu traumu risku, nekad necentieties manuāli darbināt slēdzi vai pašgājēja sistēmu. Izmantojiet pašgājēju tikai tam paredzētajiem mērķiem.

ZĀLES PLĀVĒJA LED DARBA GAISMAS(Zīm. A-13)

Lai ieslēgtu/izslēgtu akumulatora nodalījuma priekšpusē esošās LED darba gaismas, nospiediet darba gaismu pārslēga pogu (Zīm. C-22).

ZĀLES PLĀVĒJA JAUDAS INDIKATORS (Zīm. U)

Zāles plāvējs ir aprīkots ar jaudas indikatoru, kas uzrāda akumulatoru bloka uzlādes līmeni un zāles plāvēja darba statusu. Jaudas indikators iedegas, ja rotē asmens vai ir ieslēgtas LED darba gaismas.

Zāles plāvēja jaudas indikators	Nozīme	Darbība
Deg zaļā krāsā	Zāles plāvējs darbojas normāli, akumulatora uzlādes līmenis ir vismaz 15%	Nav pieejams
Deg sarkanā krāsā	Zems akumulatora uzlādes līmenis	Apturiet zāles plāvēju un uzlādējiet akumulatoru bloku
Mirgo sarkanā krāsā	Akumulators ir gandrīz pilnībā izlādējies	Apturiet zāles plāvēju un uzlādējiet akumulatoru bloku
Deg oranžā krāsā	Zāles plāvējs vai akumulatoru bloks ir pārkarsis	Izņemiet akumulatoru bloku no zāles plāvēja, novietojiet tos ēnā un ļaujiet atdzist vismaz 15 minūtes
Mirgo oranžā krāsā	Zāles plāvējam ir pārslodze	Samaziniet savu darba ātrumu vai palieliniet plaušanas augstumu, lai samazinātu slodzi

PLĀVĒJA PĀRSLODZES AIZSARDZĪBA

Lai novērtu pārslodzi, centieties nepļaut pārāk daudz zāles vienlaikus. Samaziniet griešanas ātrumu vai palieliniet griešanas augstumu.

Jūsu plāvējam ir iebūvēta pārslodzes ķēdes aizsardzības sistēma. Ja plāvējā darbībā tiek konstatēta pārslodze, motors tiek apturēts un plāvēja strāvas indikators mirgo oranžā krāsā. Noņemiet plāvēja akumulatoru. Pārbaudiet, vai zem pamatnes nav sakrājušies zāle, un, ja nepieciešams, iztīriet to, pēc tam ielieciet akumulatoru un atkārtoti iedarbiniet plāvēju.

LV

AKUMULATORA AIZSARDZĪBA PRET AUGSTU TEMPERATŪRU

Akumulators darbības laikā izdala siltumu. Siltā laikā siltums tiek izkļaidēts lēnāk. Ja akumulatora temperatūra darbības laikā pārsniedz 70°C, aizsardzības sistēma nekavējoties izslēdz zāles plāvēju, lai pasargātu akumulatoru bloku no bojāšanas. Zāles plāvēja jaudas indikators mirgos oranžā krāsā. Atļaidiet drošības slēdzi, nogaidiet, līdz akumulatoru bloks atdziest līdz aptuveni 67°C temperatūrai, un iedarbiniet zāles plāvēju atkārtoti.

APKOPE

BRĪDINĀJUMS: Lai izvairītos no smagu trauku rašanās, vienmēr izņemiet drošības atslēgu un akumulatoru no plāvēja, pirms sākat iekārtas tīrīšanu vai veicat tās apkopi.

BRĪDINĀJUMS: Veicot apkopes darbus, vienmēr izmantojiet identiskas rezerves daļas. Izmantojot jebkādas citas detaļas, var tikt radīts apdraudējums vai iespējams bojāt produktu. Lai nodrošinātu drošumu un uzticamību, visi remonta un detaļu nomainīgas darbi ir jāveic kvalificētam tehniskajam darbiniekam.

PLĀVĒJA TĪRĪŠANA

BRĪDINĀJUMS: Vienmēr izņemiet drošības atslēgu un akumulatoru, ja veicat plāvēja apkopi vai transportēšanu.

Plāvēja pamatnes apakšdaļu ir jātīra pēc katras lietošanas reizes, jo uzkrājas zāles atgriezum, lapas, dubļi un citi netīrumi. Šie netīrumi nav vēlamai, jo veicina rūsas un korozijas veidošanos uz metāla detaļām, kā arī mazina plāvēja griešanas efektivitāti.

Noņemiet sakrājušos zāli un lapas no piedziņas vārpstas virsas vai apkārtnes (tikai modeļim LM2020E-SP) un motora ventilatora (neizmantojiet ūdeni). Noslauciet plāvēju ar mitru lupatiņu.

ASMENS NOŅĒMŠANA/UZSTĀDĪŠANA

BRĪDINĀJUMS: Vienmēr sargājiet rokas, valkājot blīvus cimdus vai aptinot asmens griezošās malas ar drānām vai citiem materiāliem, kamēr veicat plāvēja asmens apkopes darbus.

Asmens noņemšana (Zīm. W).

PIEZĪME: Ja skūrvē griežas kopā ar motora dzinēja vārpstu, kad atskrūvējat skrūvi, pagriežiet ventilatoru ar roku, lai izlīdzinātu atveres ventilatorā ar atverēm asmenī, un ievietojiet citu metāla stieni izlīdzinātājās atverēs.

Asmens uzstādīšana

Ievērojiet Zīm. V norādīto montāžas secību, novietojot ventilatora asmeni virzienā uz pamatni un apdrukāto asmens pusi virzienā uz āru, izlīdziniet atveres ventilatorā ar atverēm asmenī (Zīm. X) un pēc tam nostipriniet asmeni, kā parādīts Zīm. X.

Zīm. V un W detaļu aprakstu skatiet tālāk:

V-1	Ventilators	V-5	Skrūve
V-2	Iekšējais atloks	W-1	1. stabilizators
V-3	Asmens	W-2	2. stabilizators
V-4	Ārējais atloks	W-3	14mm spēka skrūve

PIEZĪME: Ieteicamais griezes moments asmens skrūves pievilkšanai ir 49-59Nm.

ZĀLES PĻĀVĒJA UZGLABĀŠANA

- No zāles pļāvēja izņemiet akumulatoru bloku un uzglabājiet zāles pļāvēju vēsā, sausā un tīrā vietā. Neuzglabājiet to korozīvu materiālu, piemēram, mēslojuma vai akmeņsāls tuvumā.
- Uzglabājiet zāles pļāvēju sausā, vēsā, apjūmtā telpā, kur tam nevar piekļūt bērni.
- Neapklājiet zāles pļāvēju ar plastikāta plēvi. Plastikāta pārklājamiem materiāli visapkārt zāles pļāvējam "iekapsulē" mitrumu, tādējādi pakļaujot to rūšēšanai un korozijai.
- Zāles pļāvēju iespējams uzglabāt vertikāli vai horizontāli (Zīm. Z).

⚠ BRĪDINĀJUMS: Ja zāles pļāvējs sagāžas no vertikālas pozīcijas, tas var tikt bojāts, kā arī iespējams gūt miesas bojājumus. Ja zāles pļāvējs tiek uzglabāts vertikāli, vienmēr nodrošiniet tā atrašanos stabilā pozīcijā un nepieļaujiet, ka tā tuvumā var nonākt bērni. Ja vien iespējams, uzglabājot novietojiet zāles pļāvēju horizontāli.

Vides aizsargāšana



Neizmetiet elektriskās iekārtas, uzlādes ierīci un baterijas/akumulatorus saimniecības atkritumos!

Saskaņā ar Eiropas Savienības Direktīvu 2012/19/ES un Direktīvu 2006/66/EK, vairs neizmantojamas elektriskas un elektroniskas iekārtas, kā arī bojāti vai izlietoti akumulatoru bloki/baterijas ir jāsavāc atsevišķi.

Ja elektriskās iekārtas tiek izmestas atkritumu poligonos vai izgāztuvēs, gruntsūdeņos var nokļūt kaitīgas vielas, kas pēc tam var nokļūt pārtikas ķēdē, nodarot kaitējumu jūsu veselībai un labklājībai.

PROBLĒMU NOVĒRŠANA

⚠ BRĪDINĀJUMS: Veicot zāles plāvēja apkopi vai to transportējot, vienmēr izņemiet drošības atslēgu un akumulatoru bloku. Veicot jebkāda veida apkopes darbus asmenim, vienmēr aizsargājiet rokas un lietojiet cimdus vai aptiniet asmens asās malas ar lupatām vai citu materiālu.

PROBLĒMA	CĒLONIS	RISINĀJUMS
Zāles plāvēju nav iespējams iedarbināt	<ul style="list-style-type: none"> ■ Zāles plāvēju nav iespējams iedarbināt. ■ Akumulatoru bloks ir pilnībā izlādējies. ■ Akumulators nav uzstādīts akumulatora nodalījumā. ■ Pārāk karsts akumulators vai zāles plāvēja elektriskā ķēde. (Zāles plāvēja jaudas indikators 10 sekundes iedegas oranžā krāsā.) ■ Sānu rokturi nav pilnībā izvilkti visā to garumā un bloķētāji nav nofiksēti pozīcijā. ■ Rokturis neatrodas vienā no divām darba pozīcijām. 	<ul style="list-style-type: none"> ■ Uzlādējiet akumulatoru bloku. ■ Pievienojiet akumulatoru plāvējam, piespiediet to, līdz izdzirdat klikšķi. ■ Ļaujiet akumulatoru blokam vai zāles plāvējam atdzist, līdz temperatūra pazeminās zem 67°C. ■ Pilnībā izvelciet rokturi un nofiksējiet abus bloķētājus. ■ Noregulējiet rokturi vienā no abām darba pozīcijām. ■ Noīriet zāles plāvēja korpusu un pārīecinieties, ka asmens var brīvi griezties.
Zāles plāvējs pļauj nelīdzeni	<ul style="list-style-type: none"> ■ Asmens ir neass. ■ Nav pareizi iestatīts pļaušanas augstums. ■ Asmens ir salikts nepareizi. 	<ul style="list-style-type: none"> ■ Uzasiniet asmeni vai nomainiet to. ■ Paceliet korpusu augstākā pļaušanas pozīcijā. ■ Izjauciet asmeni, ievērojot šīs rokasgrāmatas sadaļā "ASMENS UZSTĀDĪŠANA" iekļautos norādījumus.
Pļaušanas laikā zāles plāvējs izslēdzas	<ul style="list-style-type: none"> ■ Akumulatoru bloks ir pilnībā izlādējies. ■ Zāles plāvēja pārslodze. ■ Zāles plāvēja korpusis ir aizsērējis ar zāli un gružiem. ■ Pārāk karsts akumulators vai zāles plāvēja elektriskā ķēde. (Zāles plāvēja jaudas indikators 10 sekundes iedegas oranžā krāsā.) ■ Sānu rokturis ir nedaudz iebīdījies, jo uz rokturi ir ticis vērsts spiediena spēks. 	<ul style="list-style-type: none"> ■ Uzlādējiet akumulatoru bloku. ■ Palieliniet pļaušanas augstumu vai palēniniet pļaušanas ātrumu. ■ Novērsiet aizsērējumu zāles plāvēja korpusā. Palieliniet pļaušanas augstumu vai pļaujiet šaurāku vālu. ■ Ļaujiet akumulatoru blokam vai zāles plāvējam atdzist, līdz temperatūra pazeminās zem 67°C. ■ Atļaidiet bloķētājus. Pilnībā izvelciet sānu rokturus un nofiksējiet bloķētājus atkārtoti.

LV



PROBLĒMA	CĒLONIS	RISINĀJUMS
Zāles pļāvējs kārtīgi neveic smalcināšanu	<ul style="list-style-type: none">■ Korpusa apakšpusei ir pielīpušas slapjas zāles atliekas.■ Zāles pļāvējs ir iestatīts pārāk liela zāles daudzuma pļaušanai vienā reizē.	<ul style="list-style-type: none">■ Pirms pļaušanas nogaidiet, līdz zāle ir nožuvusi.■ Paceliet korpusu augstākā pļaušanas pozīcijā.
Pārmērīgas vibrācijas	<ul style="list-style-type: none">■ Vaļīgs pļaušanas asmens.■ Nav nobalansēts pļaušanas asmens.■ Griezējasmens ir saliekts.■ Salocīta motora ass.	<ul style="list-style-type: none">■ Pievelciet asmens skrūvi.■ Nobalansējiet asmeni, ievērojot dotos norādījumus.■ Nomainiet asmeni.■ Sazinieties ar klientu apkalpošanas centru.
Nav iespējams nofiksēt roktura bloķētājus	<ul style="list-style-type: none">■ Nav pilnībā izvilkti sānu rokturi.	<ul style="list-style-type: none">■ Pilnībā izvelciet sānu rokturus, pēc tam nofiksējiet bloķētājus.

GARANTIJA

EGO GARANTIJAS POLITIKA

Lūdzu, apmeklējiet tīmekļa vietni egopowerplus.com, kur pieejama pilna EGO Garantijas politikas noteikumu un nosacījumu versija.

LV

ΔΙΑΒΑΣΤΕ ΟΛΕΣ ΤΙΣ ΟΔΗΓΙΕΣ!



ΔΙΑΒΑΣΤΕ ΤΟ ΕΓΧΕΙΡΙΔΙΟ ΧΡΗΣΗΣ

⚠ ΠΡΟΕΙΔΟΠΟΙΗΣΗ: Για να διασφαλίσετε την ασφάλεια και την αξιοπιστία, όλες οι επισκευές πρέπει να διεξάγονται από εξειδικευμένο τεχνικό του σέρβις.

Προβλεπόμενη χρήση και δυννητικά εσφαλμένη

χρήση: Το προϊόν προορίζεται για το κούρεμα γρασιδιού μόνο σε οικιακούς κήπους. Δεν πρέπει να χρησιμοποιείται για το κούρεμα ασυνήθιστα υψηλού, στεγνού ή βρεγμένου γρασιδιού, π.χ. γρασιδι σε βροσκοτόπια ή για τον τεμαχισμό φύλλων. Το προϊόν πρέπει να χρησιμοποιείται αποκλειστικά για την προβλεπόμενη χρήση. Οποιαδήποτε άλλη χρήση θα εκληφθεί ως καταχρηστική.

ΣΥΜΒΟΛΑ ΑΣΦΑΛΕΙΑΣ

Ο σκοπός των συμβόλων ασφαλείας είναι να σας τραβήξουν την προσοχή για ενδεχόμενους κινδύνους. Προσέξτε και κατανοήστε τα σύμβολα ασφαλείας και τις επεξηγήσεις που τα συνοδεύουν. Οι προειδοποιήσεις συμβόλων από μόνες τους δεν εξαλείφουν κανέναν κίνδυνο. Οι οδηγίες και οι προειδοποιήσεις που παρέχουν δεν υποκαθιστούν τα μέτρα σωστής πρόληψης ατυχημάτων.

⚠ ΠΡΟΕΙΔΟΠΟΙΗΣΗ: Βεβαιωθείτε ότι έχετε διαβάσει και κατανοήσει όλες τις οδηγίες ασφαλείας στο παρόν Εγχειρίδιο χειριστή, συμπεριλαμβανομένων όλων των συμβόλων ασφαλείας όπως «ΚΙΝΔΥΝΟΣ», «ΠΡΟΕΙΔΟΠΟΙΗΣΗ» και «ΠΡΟΣΟΧΗ», προτού χρησιμοποιήσετε αυτό το εργαλείο. Η μη τήρηση όλων των παρακάτω οδηγιών μπορεί να οδηγήσει σε ηλεκτροπληξία, πυρκαγιά ή/και σοβαρό ατομικό τραυματισμό.

GR

ΣΗΜΑΣΙΑ ΣΥΜΒΟΛΩΝ

ΣΥΜΒΟΛΟ ΕΙΔΟΠΟΙΗΣΗΣ ΑΣΦΑΛΕΙΑΣ: Υποδηλώνει ΚΙΝΔΥΝΟ, ΠΡΟΕΙΔΟΠΟΙΗΣΗ ή ΠΡΟΣΟΧΗ. Μπορεί να χρησιμοποιείται σε συνδυασμό με άλλα σύμβολα ή εικονογράμματα.

⚠ ΠΡΟΕΙΔΟΠΟΙΗΣΗ: Η λειτουργία ηλεκτρικών εργαλείων μπορεί να προκαλέσει εκτόξευση ξένων αντικειμένων στα μάτια σας, με αποτέλεσμα σοβαρό τραυματισμό. Προτού ξεκινήσετε τη χρήση του ηλεκτρικού εργαλείου, φοράτε πάντα προστατευτικά γυαλιά ή γυαλιά με πλευρική προστασία και, εφόσον απαιτείται, πλήρη προστατευτική προσωπίδα. Συστήνουμε μια προσωπίδα ασφαλείας ευρείας όρασης, για χρήση πάνω από γυαλιά ή συνήθη προστατευτικά γυαλιά με πλευρική προστασία.

ΟΔΗΓΙΕΣ ΑΣΦΑΛΕΙΑΣ

Αυτή η σελίδα απεικονίζει και περιγράφει τα σύμβολα ασφαλείας που υπάρχουν ενδεχομένως σε αυτό το προϊόν. Διαβάστε, κατανοήστε και ακολουθείτε όλες τις οδηγίες στη μηχανή προτού προσπαθήσετε να διεξάγετε εργασίες συναρμολόγησης και λειτουργίας.

	Ειδοποίηση ασφαλείας	Προφυλάξεις που σχετίζονται με την ασφάλεια σας.
	Διαβάστε το εγχειρίδιο χρήσης	Προκειμένου να μειωθεί ο κίνδυνος τραυματισμού, ο χρήστης πρέπει να διαβάσει και να κατανοήσει το εγχειρίδιο χρήσης προτού χρησιμοποιήσει αυτό το προϊόν.
	Προσέχετε τις αιχμηρές λεπίδες.	Οι λεπίδες συνεχίζουν να περιστρέφονται αφού σβήσει το μοτέρ - Απομακρύνετε τη συσκευή απενεργοποίησης πριν τη συντήρηση. Απενεργοποιήστε και απομακρύνετε την αποσπώμενη συστοιχία μπαταριών (ή τη συσκευή απενεργοποίησης) πριν από ρυθμίσεις ή καθαρισμό.
	Διατηρείτε μακριά τους παρευρισκόμενους	Εξασφαλίστε ότι άλλα άτομα ή κατοικίδια παραμένουν τουλάχιστον 30 μ. μακριά από το μηχάνημα όταν αυτό χρησιμοποιείται.
	Κρατήστε τα πόδια και το χέρι μακριά	Κρατήστε τα πόδια και το χέρι μακριά
	CE	Αυτό το προϊόν συμφώνει με τις ισχύουσες οδηγίες της ΕΚ.
	UKCA	Αυτό το προϊόν συμμορφώνεται με την ισχύουσα νομοθεσία του ΗΒ.
	ΑΗΗΕ (WEEE)	Τα άχρηστα ηλεκτρικά προϊόντα δεν πρέπει να απορρίπτονται στα οικιακά απόβλητα. Παραδίδετέ τα σε μια εξουσιοδοτημένη εταιρεία ανακύκλωσης.

	Θόρυβος	Εγγυημένη στάθμη ηχητικής ισχύος. Εκπομπές θορύβου στο περιβάλλον σύμφωνα με την οδηγία της Ευρωπαϊκής Ένωσης.
IPX4	Σύμβολο CE	Προστασία έναντι διείσδυσης νερού, βαθμός 4
V	Volt	Τάση
A	Amperes	Ρεύμα
Hz	Hertz	Συχνότητα (κύκλοι ανά δευτερόλεπτο)
W	Watt	Ισχύς
min	Λεπτά	Χρόνος
	Εναλλασσόμενο ρεύμα	Τύπος ρεύματος
	Συνεχές ρεύμα	Τύπος ή χαρακτηριστικό του ρεύματος
n_0	Ταχύτητα χωρίς φορτίο	Ταχύτητα περιστροφής, χωρίς φορτίο
... /min	Ανά λεπτό	Στροφές ανά λεπτό

ΓΕΝΙΚΕΣ ΠΡΟΕΙΔΟΠΟΙΗΣΕΙΣ ΑΣΦΑΛΕΙΑΣ ΓΙΑ ΤΑ ΗΛΕΚΤΡΙΚΑ ΕΡΓΑΛΕΙΑ

⚠️ ΠΡΟΕΙΔΟΠΟΙΗΣΗ: ΜΕΛΕΤΗΣΤΕ ΟΛΕΣ ΤΙΣ ΠΡΟΕΙΔΟΠΟΙΗΣΕΙΣ ΑΣΦΑΛΕΙΑΣ, ΤΙΣ ΟΔΗΓΙΕΣ, ΤΙΣ ΕΙΚΟΝΕΣ ΚΑΙ ΤΙΣ ΠΡΟΔΙΑΓΡΑΦΕΣ ΠΟΥ ΣΥΝΟΔΕΥΟΥΝ ΑΥΤΟ ΤΟ ΗΛΕΚΤΡΙΚΟ ΕΡΓΑΛΕΙΟ. Εάν δεν τηρηθούν όλες οι οδηγίες που αναφέρονται παρακάτω, μπορεί να προκληθεί ηλεκτροπληξία, φωτιά και/ή σοβαρός τραυματισμός.

ΦΥΛΑΞΤΕ ΟΛΕΣ ΤΙΣ ΠΡΟΕΙΔΟΠΟΙΗΣΕΙΣ ΚΑΙ ΤΙΣ ΟΔΗΓΙΕΣ ΓΙΑ ΜΕΛΛΟΝΤΙΚΗ ΑΝΑΦΟΡΑ.

Ο όρος «ηλεκτρικό εργαλείο» στις προειδοποιήσεις αναφέρεται στο ηλεκτρικό σας εργαλείο που λειτουργεί είτε με σύνδεση στην πρίζα (με καλώδιο) είτε με μπαταρίες (χωρίς καλώδιο).

ΑΣΦΑΛΕΙΑ ΣΤΟ ΧΩΡΟ ΕΡΓΑΣΙΑΣ

- Διατηρείτε την περιοχή εργασίας καθαρή και καλά φωτισμένη. Οι ακατάστατοι χώροι και οι χώροι με κακό φωτισμό ενισχύουν την πιθανότητα ατυχημάτων.
- Μη χρησιμοποιείτε ηλεκτρικά εργαλεία σε περιβάλλον με εύφλεκτη ατμόσφαιρα, όπως όταν υπάρχουν εύφλεκτα υγρά, αέρια ή σκόνη. Τα ηλεκτρικά εργαλεία δημιουργούν σπινθηρές που μπορεί να αναφλέξουν τη σκόνη ή τις αναθυμιάσεις.
- Κρατάτε τα παιδιά και τους παρευρισκόμενους μακριά, όταν χρησιμοποιείτε το ηλεκτρικό εργαλείο. Εάν κάτι αποσπάσει την προσοχή σας, μπορεί να χάσετε τον έλεγχο του εργαλείου.

ΗΛΕΚΤΡΙΚΗ ΑΣΦΑΛΕΙΑ

- Το φως του ηλεκτρικού εργαλείου πρέπει να ταιριάζει στην πρίζα. Μη τροποποιήσετε ποτέ και με κανέναν τρόπο το φως. Μη χρησιμοποιείτε κανενός είδους προσαρμογείς πριζών με ηλεκτρικά εργαλεία, τα οποία διαθέτουν προστατευτικό καλώδιο (γείωση). Τα μη τροποποιημένα φως και οι κατάλληλες πρίζες μειώνουν τον κίνδυνο ηλεκτροπληξίας.
- Αποφεύγετε την επαφή με γειωμένες επιφάνειες, όπως σωλήνες, θερμαντικά σώματα, εστίες και ψυγεία. Υπάρχει αυξημένος κίνδυνος ηλεκτροπληξίας όταν το σώμα σας είναι γειωμένο.
- Μην εκθέτετε τα ηλεκτρικά εργαλεία σε βροχή ή υγρασία. Εάν εισχωρήσει νερό στο ηλεκτρικό εργαλείο θα αυξηθεί ο κίνδυνος ηλεκτροπληξίας.
- Μην κακομεταχειρίζεστε το καλώδιο. Μη χρησιμοποιείτε ποτέ το καλώδιο για να μεταφέρετε, να τραβήξετε ή να αποσυνδέσετε το ηλεκτρικό εργαλείο από την πρίζα. Διατηρείτε το καλώδιο μακριά από θερμότητα, λάδια, αιχμηρές γωνίες ή κινούμενα εξαρτήματα. Τα κατεστραμμένα ή μπλεγμένα καλώδια αυξάνουν τον κίνδυνο ηλεκτροπληξίας.
- Όταν χρησιμοποιείτε ένα ηλεκτρικό εργαλείο σε εξωτερικό χώρο, χρησιμοποιείτε καλώδιο προέκτασης κατάλληλο για χρήση σε εξωτερικό χώρο. Τα καλώδια που είναι κατάλληλα για εξωτερικό χώρο περιορίζουν τον κίνδυνο ηλεκτροπληξίας.
- Εφόσον δεν μπορείτε να αποφύγετε τη χρήση του ηλεκτρικού εργαλείου σε περιοχή με υγρασία, χρησιμοποιήστε τροφοδοσία με διάταξη προστασίας ρεύματος διαρροής (RCD). Η χρήση διάταξης RCD μειώνει τον κίνδυνο ηλεκτροπληξίας.

ΠΡΟΣΩΠΙΚΗ ΑΣΦΑΛΕΙΑ

- Να βρίσκεστε πάντα σε εγρήγορση, να προσέχετε τι κάνετε και να εφαρμόζετε κοινή λογική όταν χρησιμοποιείτε ηλεκτρικά εργαλεία. Μη χρησιμοποιείτε ηλεκτρικά εργαλεία όταν είστε κουρασμένοι ή υπό την επήρεια ναρκωτικών, αλκοόλ ή φαρμάκων. Όταν χρησιμοποιείτε ηλεκτρικά εργαλεία, μια στιγμή απροσεξίας μπορεί να προκαλέσει σοβαρό τραυματισμό.
- Χρησιμοποιείτε μέσα ατομικής προστασίας. Φοράτε πάντα προστατευτικά για τα μάτια. Η χρήση των κατάλληλων μέσων ατομικής προστασίας, όπως, μάσκα σκόνης, αντιολισθητικά παπούτσια ασφαλείας, κράνος ή ωτοασπίδες, μειώνει τον κίνδυνο τραυματισμού.
- Λαμβάνετε μέτρα για να μην ενεργοποιηθεί κατά λάθος το εργαλείο. Βεβαιώνετε ότι ο διακόπτης βρίσκεται στη θέση απενεργοποίησης (OFF) προτού να συνδέσετε το ηλεκτρικό εργαλείο στο ρεύμα ή/και στη συστοιχία μπαταριών, ή όταν σηκώνετε ή μεταφέρετε το εργαλείο. Μη μεταφέρετε το ηλεκτρικό εργαλείο με το δάκτυλο πάνω στο διακόπτη και μη βάζετε το ηλεκτρικό εργαλείο στην πρίζα με ανοικτό το διακόπτη, διότι αυξάνεται ο κίνδυνος ατυχήματος.
- Προτού να ενεργοποιήσετε το ηλεκτρικό εργαλείο, αφαιρέστε οποιοδήποτε εργαλείο ρύθμισης ή κλειδί. Αν το εργαλείο ρύθμισης ή το κλειδί παραμένει συνδεδεμένο στο περιστρεφόμενο εξάρτημα του ηλεκτρικού εργαλείου, μπορεί να προκληθεί τραυματισμός.
- Μην τεντώνετε υπερβολικά για να πραγματοποιήσετε την εργασία. Πατάτε πάντα σταθερά και διατηρείτε την ισορροπία σας. Έτσι θα ελέγχετε καλύτερα το ηλεκτρικό εργαλείο σε περίπτωση απροσδόκων καταστάσεων.
- Φοράτε κατάλληλα ρούχα. Μη φοράτε φαρδιά ρούχα ή κοσμήματα. Κρατήστε τα μαλλιά, τα ρούχα και τα γάντια σας μακριά από κινούμενα μέρη. Χαλαρά ρούχα, κοσμήματα ή μακριά μαλλιά μπορεί να πιαστούν στα κινούμενα μέρη.
- Αν υπάρχει δυνατότητα σύνδεσης συσκευών απομάκρυνσης και συλλογής της σκόνης, βεβαιωθείτε ότι αυτές οι συσκευές έχουν συνδεθεί και χρησιμοποιούνται σωστά. Η χρήση συσκευών συλλογής σκόνης μπορεί να μειώσει τους κινδύνους που σχετίζονται με αυτή.
- Ακόμα κι εάν χρησιμοποιείτε συχνά ηλεκτρικά εργαλεία, μην εφησυχάζετε και μην παραβλέπετε τους βασικούς κανόνες ασφαλείας. Μια στιγμή

απροσεξίας μπορεί να οδηγήσει σε σοβαρό τραυματισμό.

ΧΡΗΣΗ ΚΑΙ ΦΡΟΝΤΙΔΑ ΤΟΥ ΗΛΕΚΤΡΙΚΟΥ ΕΡΓΑΛΕΙΟΥ

- Μη ζορίζετε το ηλεκτρικό εργαλείο. Χρησιμοποιήστε το κατάλληλο ηλεκτρικό εργαλείο για την εκάστοτε εργασία. Η εργασία θα πραγματοποιηθεί καλύτερα και ασφαλέστερα εάν χρησιμοποιηθεί το κατάλληλο ηλεκτρικό εργαλείο και στην ταχύτητα για την οποία έχει σχεδιαστεί.
- Μη χρησιμοποιήσετε το ηλεκτρικό εργαλείο εάν δεν μπορείτε να το ενεργοποιήσετε και να το απενεργοποιήσετε από τον διακόπτη. Κάθε ηλεκτρικό εργαλείο που δεν ελέγχεται από το διακόπτη είναι επικίνδυνο και απαιτεί επίσκεψη.
- Αποσυνδέετε το φις από την πρίζα ή/και αφαιρείτε την μπαταρία πριν κάνετε οποιαδήποτε ρύθμιση, αλλάζετε εξαρτήματα ή αποθηκεύσετε το ηλεκτρικό εργαλείο. Με αυτόν τον τρόπο, περιορίζεται ο κίνδυνος να ενεργοποιηθεί κατά λάθος το ηλεκτρικό εργαλείο.
- Αποθηκεύετε τα ηλεκτρικά εργαλεία που δεν χρησιμοποιείτε σε μέρος όπου δεν πλησιάζουν παιδιά και μην αφήνετε να χρησιμοποιηθούν από άτομα που δεν είναι εξοικειωμένα με αυτά ή με τις οδηγίες τους. Τα ηλεκτρικά εργαλεία είναι επικίνδυνα στα χέρια ατόμων που δεν έχουν εκπαιδευτεί στη χρήση τους.
- Συντηρείτε σωστά τα ηλεκτρικά εργαλεία και τα βοηθητικά τους εξαρτήματα. Ελέγχετε για κακή ευθυγράμμιση ή εμπλοκή των κινούμενων εξαρτημάτων, για σπασμένα εξαρτήματα και για κάθε άλλη κατάσταση που μπορεί να επηρεάσει τη λειτουργία του ηλεκτρικού εργαλείου. Εάν υποστεί ζημιά το ηλεκτρικό εργαλείο, επισκευάστε το προτού να το χρησιμοποιήσετε. Πολλά ατυχήματα οφείλονται σε πλημμελώς συντηρημένα ηλεκτρικά εργαλεία.
- Διατηρείτε τα κοπτικά εξαρτήματα αιχμηρά και καθαρά. Τα κοπτικά εργαλεία που έχουν συντηρηθεί σωστά και διαθέτουν αιχμηρές κόψεις είναι λιγότερο πιθανό να μπλοκάρουν, ενώ είναι ευκολότερα στο χειρισμό.
- Χρησιμοποιείτε το ηλεκτρικό εργαλείο, τα εξαρτήματα, τις μύτες κλπ. σύμφωνα με αυτές τις οδηγίες, λαμβάνοντας υπόψη τις συνθήκες εργασίας και την προς εκτέλεση εργασία. Η χρήση ενός ηλεκτρικού εργαλείου για λειτουργίες διαφορετικές από αυτές για τις οποίες προορίζεται είναι πιθανόν να οδηγήσει σε επικίνδυνες καταστάσεις.
- Διατηρείτε τις λαβές και τις επιφάνειες συγκράτησης του εργαλείου στεγνές και καθαρές, χωρίς λάδια

και γράσα. Οι ολισθηρές λαβές και επιφάνειες συγκράτησης μπορούν να οδηγήσουν σε μη ασφαλή χειρισμό και/ή σε απώλεια ελέγχου του εργαλείου.

ΧΡΗΣΗ ΚΑΙ ΦΡΟΝΤΙΔΑ ΤΟΥ ΕΡΓΑΛΕΙΟΥ ΜΕ ΜΠΑΤΑΡΙΑ

- Επαναφορτίστε το εργαλείο μόνο με τον φορτιστή που ορίζεται από τον κατασκευαστή. Οι φορτιστές που είναι κατάλληλοι για κάποιο συγκεκριμένο τύπο συστοιχίας μπαταριών μπορεί να προκαλέσουν πυρκαγιά εάν χρησιμοποιηθούν με άλλο τύπο.
- Χρησιμοποιήστε το ηλεκτρικό εργαλείο μόνο με τη συγκεκριμένη συστοιχία μπαταριών που προορίζεται για αυτό. Εάν χρησιμοποιηθεί οποιαδήποτε άλλη συστοιχία μπαταριών, μπορεί να προκληθεί τραυματισμός και πυρκαγιά.
- Όταν η συστοιχία μπαταριών δε χρησιμοποιείται, φυλάσσετε τη μακριά από μεταλλικά αντικείμενα όπως συνδετήρες, νομίσματα, κλειδιά, καρφιά, βίδες ή άλλα μικρά μεταλλικά αντικείμενα, τα οποία μπορεί να δημιουργήσουν σύνδεση μεταξύ των ακροδεκτών. Το βραχυκύκλωμα των ακροδεκτών της συστοιχίας μπαταριών μεταξύ τους ενδέχεται να προκαλέσει έγκαυμα ή πυρκαγιά. Το βραχυκύκλωμα των πόλων της μπαταρίας μπορεί να προκαλέσει εγκαύματα ή φωτιά.
- Σε συνθήκες κακής χρήσης, μπορεί να διαρρεύσει υγρό από την μπαταρία. Μην το αγγίζετε. Σε περίπτωση τυχαίας επαφής, ξεπλύνετε καλά με νερό. Αν το υγρό έρθει σε επαφή με τα μάτια, απευθυνθείτε επιπροσθέτως σε γιατρό. Το υγρό που διαρρέει από τη συστοιχία μπαταριών μπορεί να προκαλέσει ερεθισμό ή εγκαύματα.
- Μη χρησιμοποιείτε τη συστοιχία μπαταριών ή το εργαλείο εάν έχουν υποστεί ζημιά ή έχουν τροποποιηθεί. Οι συστοιχίες μπαταριών που έχουν υποστεί ζημιά ή έχουν τροποποιηθεί μπορεί να έχουν απρόβλεπτη συμπεριφορά και να προκαλέσουν πυρκαγιά, έκρηξη ή τραυματισμό.
- Η συστοιχία μπαταριών και το εργαλείο δεν πρέπει να εκτίθενται σε φωτιά ή υπερβολικά υψηλή θερμοκρασία. Η έκθεση σε φωτιά ή θερμοκρασία πάνω από 130 °C μπορεί να προκαλέσει έκρηξη.
- Ακολουθείτε όλες τις οδηγίες σχετικά με τη φόρτιση και μη φορτίζετε τη συστοιχία μπαταριών ή το εργαλείο εκτός του εύρους θερμοκρασίας που αναφέρεται στις οδηγίες. Αν η φόρτιση δεν γίνει σωστά ή πραγματοποιηθεί σε θερμοκρασία εκτός του καθορισμένου εύρους, η συστοιχία μπαταριών μπορεί να υποστεί ζημιά και να αυξηθεί ο κίνδυνος πυρκαγιάς.

ΣΕΡΒΙΣ

- Το ηλεκτρικό εργαλείο πρέπει να επισκευάζεται μόνο από πιστοποιημένο επαγγελματία, χρησιμοποιώντας μόνο πανομοιότυπα ανταλλακτικά. Έτσι διασφαλίζεται η ασφαλής λειτουργία του ηλεκτρικού εργαλείου.
- Μην επιχειρήσετε να επισκευάσετε συστοιχία μπαταριών που έχει υποστεί ζημιά. Η συστοιχία μπαταριών πρέπει να επισκευάζεται μόνο από τον κατασκευαστή ή από εξουσιοδοτημένα κέντρα σέρβις.

ΚΑΝΟΝΕΣ ΑΣΦΑΛΕΙΑΣ ΓΙΑ ΑΣΥΡΜΑΤΕΣ ΧΛΟΟΚΟΠΤΙΚΕΣ ΜΗΧΑΝΕΣ

⚠ ΚΙΝΔΥΝΟΣ: Αυτή η μηχανή κατασκευαστήκε προκειμένου να χρησιμοποιηθεί σύμφωνα με τους κανόνες ασφαλούς λειτουργίας που περιλαμβάνονται στο παρόν εγχειρίδιο. Όπως και με οποιονδήποτε τύπο εξοπλισμού ισχύος, η απροσεξία ή τα λάθη εκ μέρους του χειριστή μπορούν να προκαλέσουν σοβαρό τραυματισμό. Αυτή η μηχανή μπορεί να προκαλέσει τραυματισμό σε χέρια και πόδια, όπως και να εκσφενδονίσει αντικείμενα. Εάν δεν τηρηθούν όλες οι οδηγίες ασφαλείας μπορούν να προκληθούν σοβαροί τραυματισμοί ή θάνατος.

⚠ ΠΡΟΕΙΔΟΠΟΙΗΣΗ: Όταν χρησιμοποιείτε ασύρματες χλοοκοπτικές μηχανές θα πρέπει να λαμβάνετε πάντοτε τις βασικές προφυλάξεις ασφαλείας, προκειμένου να ελαχιστοποιηθεί ο κίνδυνος πυρκαγιάς, ηλεκτροπληξίας και τραυματισμού.

ΣΗΜΑΝΤΙΚΟ

ΔΙΑΒΑΣΤΕ ΠΡΟΣΕΚΤΙΚΑ ΠΡΙΝ ΑΠΟ ΤΗ ΧΡΗΣΗ. ΦΥΛΑΞΤΕ ΓΙΑ ΜΕΛΛΟΝΤΙΚΗ ΧΡΗΣΗ.

ΚΑΝΟΝΕΣ ΑΣΦΑΛΕΙΑΣ ΓΙΑ ΑΣΥΡΜΑΤΕΣ ΧΛΟΟΚΟΠΤΙΚΕΣ ΜΗΧΑΝΕΣ:

ΠΡΟΣΟΧΗ – ΜΗΝ ΑΓΙΤΙΖΕΤΕ ΤΗΝ ΠΕΡΙΣΤΡΕΦΟΜΕΝΗ ΛΕΠΙΔΑ!

ΕΚΠΑΙΔΕΥΣΗ

- Διαβάστε με προσοχή όλες τις οδηγίες. Εξοικειωθείτε με τα χειριστήρια και τη σωστή χρήση της μηχανής.
- Μην επιτρέψετε ποτέ σε άτομα ή παιδιά που δεν είναι εξοικειωμένα με αυτές τις οδηγίες να χρησιμοποιήσουν τη συσκευή. Οι τοπικοί κανονισμοί ενδέχεται να επιβάλλουν περιορισμό στην ηλικία του χειριστή.
- Μην κουρεύετε ποτέ όταν υπάρχουν κοντά άνθρωποι – ειδικά παιδιά– ή κατοικίδια ζώα.
- Ο χρήστης είναι αποκλειστικά υπεύθυνος για τυχόν ατυχήματα ή κινδύνους για άλλα άτομα ή την περιουσία τους.

GR

ΠΡΟΕΤΟΙΜΑΣΙΑ

- Κατά τη διάρκεια του κουρέματος, φοράτε πάντα γερά παπούτσια και μακρύ παντελόνι.
- Μη χρησιμοποιήσετε τη μηχανή ξυπόλητοι ή όταν φοράτε σανδάλια. Αποφεύγετε να φοράτε φαρδιά ρούχα, κρεμαστά αντικείμενα ή γραβάτες.
- Επιθεωρήστε διεξοδικά τον χώρο στον οποίο θα χρησιμοποιηθεί η μηχανή και απομακρύνετε πέτρες, κλαδιά, σύρματα, κόκαλα και άλλα ξένα αντικείμενα.
- Πριν από τη χρήση, διενεργείτε πάντοτε οπτικό έλεγχο προκειμένου να διαπιστωθεί ότι οι λεπίδες, οι βίδες των λεπίδων και η διάταξη κοπής δεν έχουν υποστεί φθορά ή βλάβη. Αντικαθιστάτε τις φθαρμένες ή κατεστραμμένες λεπίδες και βίδες ταυτόχρονα, ώστε να διασφαλίζετε την ισορροπία. Αντικαταστήστε τις κατεστραμμένες ή δυσανάγνωστες ετικέτες.

ΛΕΙΤΟΥΡΓΙΑ

- Κουρεύετε μόνο με το φως της ημέρας ή με καλό τεχνητό φωτισμό.
- Να αποφεύγετε τη λειτουργία της μηχανής σε υγρό χόρτο, εφόσον είναι εφικτό.
- Εξασφαλίζετε τη σταθερή σας στάση σε κεκλιμένο έδαφος.
- Πάντα να περπατάτε, ποτέ μην τρέχετε.
- Όταν χρησιμοποιείτε τροχοφόρες περιστροφικές χλοοκοπτικές μηχανές, κουρεύετε το χόρτο κατά μήκος του κεκλιμένου εδάφους, ποτέ ανοδικά ή καθοδικά.
- Να είστε ιδιαίτερα προσεκτικοί όταν αλλάζετε κατεύθυνση στις πλαγιές.
- Μην κουρεύετε σε πολύ απόκρημνες πλαγιές.
- Προσέχετε ιδιαίτερα όταν κινείτε τη μηχανή όπισθεν ή την τραβάτε προς το μέρος σας.
- Ακινητοποιείτε τις λεπίδες εάν χρειαστεί να κλίνετε τη συσκευή για να τη μεταφέρετε, όταν διασχίζετε επιφάνειες εκτός από χόρτο, και όταν μεταφέρετε τη συσκευή προς και από την περιοχή κουρέματος.
- Μη χρησιμοποιήσετε ποτέ τη συσκευή με ελαττωματικά προστατευτικά ή θωρακίσεις, ή χωρίς διατάξεις ασφαλείας, π.χ. εάν δεν βρίσκονται στη θέση τους οι εκτροπείς ή/και οι συλλέκτες γρασιδιού.
- Θέστε τον κινητήρα σε λειτουργία σύμφωνα με τις οδηγίες και διατηρώντας τα πόδια σας αρκετά μακριά από τις λεπίδες.
- Μη γέρνετε τη μηχανή όταν θέτετε σε λειτουργία τον κινητήρα, εκτός αν χρειάζεται να την κλίνετε για την εκκίνηση. Σε αυτήν την περίπτωση, μην τη γέρνετε

περισσότερο απ' όσο είναι απολύτως απαραίτητο και ανασηκώστε μόνο το τμήμα που βρίσκεται μακριά από τον χειριστή. Διασφαλίζετε πάντα ότι και τα δύο χέρια βρίσκονται σε θέση λειτουργίας προτού να επιστρέψετε τη συσκευή στο έδαφος. Μη θέσετε τη μηχανή σε λειτουργία όταν στέκεστε μπροστά στο άνοιγμα εκκένωσης.

- Μην τοποθετείτε τα χέρια ή τα πόδια σας κοντά ή κάτω από τα περιστρεφόμενα εξαρτήματα. Σε τροχοφόρες περιστροφικές χλοοκοπτικές μηχανές, παραμένετε πάντα μακριά από το άνοιγμα απόρριψης.
- Ποτέ μην σηκώνετε ή μεταφέρετε μια μηχανή με τον κινητήρα σε λειτουργία.
- Απενεργοποιήστε και απομακρύνετε την αποσπώμενη συστοιχία μπαταριών (ή συσκευή απενεργοποίησης) και εξασφαλίστε ότι όλα τα κινούμενα μέρη έχουν ακινητοποιηθεί πλήρως, πριν από ρύθμιση ή καθαρισμό:

- Όταν απομακρύνετε από το μηχανήμα.
- Προτού καθαρίσετε ένα μπλοκάρισμα ή αποφράξετε τη χοάνη εκφόρτωσης.
- Πριν από έλεγχο, καθαρισμό ή εργασία στη συσκευή.
- Σε περίπτωση που χτυπήσετε ξένο αντικείμενο. Επιθεωρήστε τη συσκευή για ζημιές και κάντε τις απαιτούμενες επισκευές.
- Εάν η συσκευή αρχίσει να δονείται ασυνήθιστα (ελέγξτε αμέσως):
 - Ελέγξτε για ζημιές.
 - Αντικαταστήστε ή επισκευάστε τυχόν εξαρτήματα που έχουν υποστεί ζημία.
 - Ελέγξτε για τυχόν ξεβιδωμένα εξαρτήματα και συσφίξτε τα.

ΣΥΝΤΗΡΗΣΗ ΚΑΙ ΑΠΟΘΗΚΕΥΣΗ

- Να είστε προσεκτικοί κατά τη ρύθμιση της μηχανής ώστε να μην εγκλωβιστούν τα δάχτυλά σας στις κινούμενες λεπίδες κοπής και τα σταθερά εξαρτήματα της συσκευής.
- Διατηρείτε όλα τα παζμιάδια, τις βίδες και τα μπουλόνια καλά συσφιγμένα, ώστε να διασφαλίζετε την ασφαλή λειτουργία της μηχανής.
- Ελέγχετε το κλείθρο του γκαζόν συχνά για ενδοχόμενες φθορές ή απώλειες.
- Αντικαθιστάτε τα φθαρμένα ή χαλασμένα εξαρτήματα για λόγους ασφαλείας.
- Ο καθαρισμός και η συντήρηση που διενεργούνται από τον χρήστη δεν επιτρέπονται σε παιδιά χωρίς επίβλεψη.
- Όταν κάνετε σέρβις στις λεπίδες, λαμβάνετε υπόψη ότι ακόμη κι όταν η ισχύς είναι απενεργοποιημένη, οι λεπίδες ενδέχεται να εξακολουθούν να κινούνται.
- Σε τροχοφόρες περιστροφικές χλοοκοπτικές μηχανές,

εξασφαλίσετε ότι τα εξαρτήματα κοπής θα αντικαθίστανται μόνο με εξαρτήματα κατάλληλου τύπου.

ΠΡΟΣΩΠΙΚΗ ΑΣΦΑΛΕΙΑ

Ενδέχεται να συμβούν τραγικά ατυχήματα, εάν ο χειριστής δε βρίσκεται σε εγρήγορση για την παρουσία παιδιών. Τα παιδιά έλκονται συχνά από χλοοκοπτικές μηχανές και από τη δραστηριότητά τους. Δεν κατανοούν τους κινδύνους. Ποτέ μην υποθέτετε ότι τα παιδιά θα παραμείνουν στο ίδιο σημείο όπου τα αφήσατε.

- Διατηρείτε τα παιδιά έξω από την περιοχή κουρέματος, υπό την προσεκτική φροντίδα ενός υπεύθυνου ενήλικα, εκτός του χειριστή μηχανήματος.
- Παραμένετε σε επαγρύπνηση και απενεργοποιείτε τη χλοοκοπτική μηχανή σε περίπτωση που κάποιο παιδί εισέλθει στην περιοχή.
- Να είστε ιδιαίτερα προσεκτικοί όταν προσεγγίζετε τυφλές γωνίες, εισόδους, θάμνους, δέντρα ή άλλα αντικείμενα, τα οποία ενδέχεται να δυσχεράνουν την οπτική επαφή με ένα παιδί που κινείται προς το μέρος της χλοοκοπτικής μηχανής.
- Τα παιδιά θα πρέπει να βρίσκονται υπό επίβλεψη, ώστε να διασφαλιστεί πως δε θα παίξουν με τη χλοοκοπτική μηχανή.
- Απενεργοποιείτε πάντοτε τη χλοοκοπτική μηχανή όταν αφαιρείτε τη συστοιχία μπαταριών από το εργαλείο. Ακινητοποιείτε τις λεπίδες εάν χρειαστεί να κλίνετε τη συσκευή για να τη μεταφέρετε, όταν διασχίζετε επιφάνειες εκτός από χόρτο, και όταν μεταφέρετε τη συσκευή προς και από την περιοχή κουρέματος.

ΛΕΙΤΟΥΡΓΙΑ

ΓΕΝΙΚΗ ΛΕΙΤΟΥΡΓΙΑ:

- Διαβάστε προσεκτικά ολόκληρο το εγχειρίδιο χειριστή, προτού προσπαθήσετε να συναρμολογήσετε τη μηχανή. Διαβάστε, κατανοήστε και τηρείτε όλες τις οδηγίες που υπάρχουν πάνω στη μηχανή και στα εγχειρίδια, πριν από τη χρήση. Εξοικειωθείτε πλήρως με τα χειριστήρια και τη σωστή χρήση αυτού του μηχανήματος προτού το θέσετε σε λειτουργία. Φυλάξτε αυτό το εγχειρίδιο σε ασφαλές σημείο για μελλοντική και τακτική αναφορά, όπως και για την παραγγελία ανταλλακτικών.
- Χρησιμοποιείτε τη σωστή μηχανή. Μη χρησιμοποιείτε τη χλοοκοπτική μηχανή για οποιαδήποτε άλλη εργασία εκτός από την προβλεπόμενη.
- Μην προεκτείνετε! Πατάτε πάντα σταθερά και διατηρείτε την ισορροπία σας.
- Αντικείμενα που κολλάνε στη χλοοκοπτική μηχανή μπορεί να προκαλέσουν σοβαρούς τραυματισμούς. Το γρασίδι πρέπει να ελέγχεται πάντα προσεκτικά και να καθαρίζεται από όλα τα αντικείμενα πριν από κάθε κοπή.
- Πριν από και όσο κινείστε προς τα πίσω, κοιτάτε πίσω

σας και προς τα κάτω για την ενδεχόμενη ύπαρξη μικρών παιδιών και άλλων ατόμων.

- Η μηχανή δεν αποτελεί παιχνίδι. Συνεπώς, να είστε ιδιαίτερα προσεκτικοί ανά πάσα στιγμή. Η μηχανή έχει σχεδιαστεί για να εκτελεί μια εργασία: κούρεμα γρασιδιού. Μην τη χρησιμοποιείτε για οποιονδήποτε άλλο σκοπό.
- Μη ζορίζετε τη χλοοκοπτική μηχανή. Η εργασία θα γίνει καλύτερα και με περισσότερη ασφάλεια στο ρυθμό για τον οποίο έχει σχεδιαστεί.
- Πριν από τη χρήση, διενεργείτε πάντοτε οπτικό έλεγχο προκειμένου να διαπιστωθεί ότι οι λεπίδες, οι βίδες των λεπίδων και η διάταξη κοπής δεν έχουν υποστεί φθορά ή βλάβη. Αντικαθιστάτε φθαρμένες ή χαλασμένες λεπίδες και μπουλόνια και οποιαδήποτε άλλα εξαρτήματα ταυτόχρονα, ώστε να διατηρείται η ισορροπία. Αντικαταστήστε τις κατεστραμμένες ή δυσανάγνωστες ετικέτες.
- Προσέχετε ιδιαίτερα όταν κινείται τη μηχανή όπισθεν ή την τραβάτε προς το μέρος σας.
- Ελέγχετε προσεκτικά την περιοχή όπου χρησιμοποιείται ο εξοπλισμός. Απομακρύνετε κάθε είδους πέτρες, κλαδιά, σύρματα, παιχνίδια και άλλα ξένα αντικείμενα, στα οποία θα μπορούσατε να σκοντάψετε ή που θα μπορούσαν να τραβηχτούν και να εκσφενδονιστούν από τη λεπίδα. Αντικείμενα που εκσφενδονίζονται μπορούν να προκαλέσουν σοβαρό τραυματισμό. Σχεδιάζετε το πλάνο κουρέματος προς αποφυγή εκτόξευσης υλικού σε δρόμους, πεζοδρόμια, παρευρισκόμενους και παρόμοια. Επίσης αποφεύγετε την εκτόξευση υλικών σε τοίχους ή εμπόδια, τα οποία μπορεί να προκαλέσουν εκτόξευση υλικών και εξοστρακισμό τους στον χειριστή.
- Προς αποφυγή επαφής με τη λεπίδα ή τραυματισμού από αντικείμενα που εκσφενδονίζονται, παραμένετε στη ζώνη χειριστή πίσω από τις λαβές και διατηρείτε παιδιά, παρευρισκόμενους, βοηθούς και κατοικίδια τουλάχιστον 30 m μακριά από τη χλοοκοπτική μηχανή ενώ λειτουργεί. Εάν εισέλθει κάποιος στην περιοχή, ακινητοποιήστε αμέσως τη μηχανή.
- Για την προστασία των ματιών σας, φοράτε πάντοτε γυαλιά προστασίας ή ασφάλεια κατά τη διάρκεια της χρήσης, όπως και όταν διενεργείτε ρύθμιση ή επισκευή. Εκσφενδονιζόμενα αντικείμενα μπορούν να προκαλέσουν σοβαρό τραυματισμό στα μάτια. Φοράτε πάντοτε μάσκα προσώπου ή σκόνης, εφόσον η εργασία δημιουργεί πολλή σκόνη.

GR

- Ντύνεστε κατάλληλα. Μη φοράτε φαρδιά ρούχα ή κοσμήματα. Είναι πιθανό να εγκλωβιστούν σε κινούμενα εξαρτήματα. Όταν εργάζεστε σε εξωτερικούς χώρους συνιστάται να φοράτε λαστιχένια γάντια και παπούτσια. Φοράτε ανθεκτικά υποδήματα εργασίας με σκληρές σόλες, στενό παντελόνι και μπλούζα. Συνιστώνται μπλούζες και παντελόνια που καλύπτουν τα μπράτσα και τα πόδια, όπως και υποδήματα με μύτη από χάλυβα. Μη χειρίζεστε ποτέ τη μηχανή ξυπόλυτοι, με σανδάλια, με ολισθηρά ή ελαφριά υποδήματα (π.χ., πάνινα).
- Μην τοποθετείτε τα χέρια ή τα πόδια κοντά στα περιστρεφόμενα εξαρτήματα ή κάτω από τη βάση κοπής. Η επαφή με τη λεπίδα μπορεί να προκαλέσει τραυματισμό σε χέρια και πόδια.
- Εάν λείπει ή έχει χαλάσει ένα κάλυμμα εξαγωγής μπορεί να υπάρξει επαφή με τη λεπίδα ή να προκληθούν τραυματισμοί από εκσφενδονιζόμενα αντικείμενα.
- Πολλοί τραυματισμοί προκύπτουν ως αποτέλεσμα κίνησης της χλοοκοπτικής μηχανής πάνω από τα πόδια, σε περίπτωση πτώσης, γλιστρήματος ή σκοντάμματος. Σε περίπτωση πτώσης, μην κρατηθείτε από τη χλοοκοπτική μηχανή – αφήστε αμέσως τη λαβή.
- Ποτέ μην τραβάτε τη χλοοκοπτική μηχανή προς εσάς ενώ περπατάτε. Εάν πρέπει να κινήσετε όπισθεν τη χλοοκοπτική μηχανή, μακριά από τοίχο ή εμπόδιο, κοιτάξτε πρώτα κάτω και πίσω ώστε να αποφύγετε να σκοντάψετε και κατόπιν ακολουθήστε αυτά τα βήματα:
 - Απομακρυνθείτε από τη χλοοκοπτική μηχανή για να εκτείνετε πλήρως τους βραχιόνες σας.
 - Βεβαιωθείτε ότι έχετε καλή ισορροπία και πατάτε γερά.
 - Τραβήξτε αργά προς τα πίσω τη χλοοκοπτική μηχανή, όχι πάνω από τη μισή διαδρομή προς τα εσάς.
 - Επαναλάβετε τα βήματα, εφόσον απαιτηθεί.
- Μη χρησιμοποιείτε τη χλοοκοπτική μηχανή όταν βρίσκεστε υπό την επίρρεια αλκοόλ ή φαρμάκων.
- Παραμείνετε σε εγρήγορση και προσέχετε τις κινήσεις σας. Χρησιμοποιείτε κοινή λογική. Μη χρησιμοποιείτε τη χλοοκοπτική μηχανή όταν είστε κουρασμένοι.
- Η λαβή χειρισμού του κινητήρα / της λεπίδας αποτελεί διάταξη ασφαλείας. Ποτέ μην προσπαθείτε να παρακάμψετε τη λειτουργία της. Εάν το κάνετε αυτό, η συσκευή ασφαλείας θα τεθεί εκτός λειτουργίας και μπορεί να προκύψει τραυματισμός λόγω επαφής με την περιστρεφόμενη λεπίδα. Η λαβή ελέγχου του κινητήρα / της λεπίδας πρέπει να λειτουργεί απρόσκοπτα και στις δύο κατευθύνσεις και να επιστρέφει αυτόματα στην θέση αποσύμπτυξης όταν αποδεσμευτεί.
- Αποφεύγετε τα επικίνδυνα περιβάλλοντα. Μη χρησιμοποιείτε χλοοκοπτικές μηχανές σε βρεγμένες ή υγρές τοποθεσίες.
- Μη χρησιμοποιείτε στη βροχή.
- Πατάτε πάντα σταθερά. Η ολίσθηση και η πτώση μπορούν να προκαλέσουν σοβαρό ατομικό τραυματισμό. Εάν αισθάνεστε ότι δε στέκεστε καλά, αποδεσμεύστε αμέσως τη λαβή ελέγχου του κινητήρα / της λεπίδας και η λεπίδα θα σταματήσει να περιστρέφεται εντός τριών δευτερολέπτων.
- Όταν περνάτε από οδούς, μονοπάτια ή δρόμους με αμμοχάλικο σταματάτε τη λεπίδα.
- Εάν ο εξοπλισμός αρχίσει να δονείται μη φυσιολογικά, σταματήστε τον κινητήρα και αναζητήστε αμέσως την αιτία. Οι κραδασμοί αποτελούν συνήθως προειδοποίηση προβλημάτων.
 - Ελέγξτε για ζημιές.
 - Αντικαταστήστε ή επισκευάστε τυχόν εξαρτήματα που έχουν υποστεί ζημία και που επιδέχονται αντικατάσταση από τον χρήστη.
 - Ελέγξτε για τυχόν ξεβιδωμένα εξαρτήματα και σφισίξτε τα.
 - Μη χρησιμοποιείτε ποτέ τη χλοοκοπτική μηχανή χωρίς να είναι τοποθετημένα και λειτουργικά το κατάλληλο πίσω προστατευτικό, το κάλυμμα εξαγωγής, ο σάκος γρασιδιού, το ένθεμα κάλυψης εδάφους, η πλευρική χροάνη εξαγωγής, η λαβή ελέγχου του κινητήρα / της λεπίδας ή άλλες προστατευτικές διατάξεις ασφαλείας. Ποτέ μη χειρίζεστε τη χλοοκοπτική μηχανή με φθαρμένες συσκευές ασφαλείας. Σε αντίθετη περίπτωση μπορεί να προκύψει σοβαρός τραυματισμός.
- Εάν προκύψουν καταστάσεις που δεν καλύπτονται στο παρόν εγχειρίδιο, να είστε προσεκτικοί και να κρίνετε σωστά. Επικοινωνήστε με το κέντρο σέρβις πελατών της EGO για βοήθεια.
- Η συστοιχία μπαταριών πρέπει να απομακρυνθεί από τη συσκευή πριν από την απόρριψή της.
- Η συστοιχία μπαταριών πρέπει να απορρίπτεται με ασφάλεια.

ΛΕΙΤΟΥΡΓΙΑ ΣΕ ΚΕΚΛΙΜΕΝΗ ΕΠΙΦΑΝΕΙΑ:

Τα εδάφη με κλίση αποτελούν σημαντικό παράγοντα ατυχημάτων ολίσθησης και πτώσης, τα οποία μπορεί να προκαλέσουν σοβαρούς τραυματισμούς. Πατάτε πάντα σταθερά πάνω σε επικλινές έδαφος. Η χρήση σε εδάφη με κλίση απαιτεί επιπλέον προσοχή. Εάν αισθάνεστε αστάθεια σε επιφάνεια με κλίση, μην την κουρέψετε.

Συνιστάται:

- Σε επικλινές έδαφος, κουρεύετε οριζόντια – ποτέ μην κουρεύετε προς τα πάνω ή κάτω. Να είστε ιδιαίτερα προσεκτικοί όταν αλλάζετε κατεύθυνση στις πλαγιές.
- Προσέχετε σπές, αυλάκια, πέτρες, κρυμμένα αντικείμενα ή προεξοχές από τα οποία μπορεί να γλιστρήσετε ή σκοντάψετε. Το ψηλό γρασίδι μπορεί να κρύβει τα εμπόδια.

Δεν συνιστάται:

- Μην κουρεύετε κοντά σε απότομες κεκλιμένες επιφάνειες, χαντάκια ή σε αναχώματα. Μπορεί να χάσετε τη ευστάθεια ή την ισορροπία σας.
- Μην κουρεύετε σε κεκλιμένες επιφάνειες με κλίση πάνω από 15 μοίρες.
- Μην κουρεύετε βρεγμένο γρασίδι. Η έλλειψη ευστάθειας μπορεί να προκαλέσει ολίσθηση.

ΣΕΡΒΙΣ

⚠ ΠΡΟΕΙΔΟΠΟΙΗΣΗ: Τα εξαρτήματα του σάκου γρασιδιού, το κάλυμμα εξαγωγής, η πλευρική χοάνη εξαγωγής, το ένθεμα κάλυψης εδάφους και το πίσω προστατευτικό υπόκεινται σε φθορές και ζημιές, τα οποία θα μπορούσαν να εκθέσουν κινούμενα εξαρτήματα ή να προκαλέσουν εκτόξευση αντικειμένων και να αυξήσουν τον κίνδυνο τραυματισμού. Για την διαφύλαξη της ασφάλειας, ελέγχετε συχνά όλα τα εξαρτήματα και αντικαθιστάτε αμέσως τα φθαρμένα εξαρτήματα, χρησιμοποιώντας όμοια ανταλλακτικά, τα οποία αναφέρονται στο παρόν εγχειρίδιο. Επικοινωνήστε με το σέρβις πελατών της EGO ή με το πλησιέστερο κέντρο σέρβις της EGO. Οι επισκευές και οι αντικαταστάσεις πρέπει να διεξάγονται από εξειδικευμένο τεχνικό σέρβις!

- Εάν ο ενσωματωμένος στη χλοοκοπτική μηχανή διακόπτης προστασίας υπερφόρτωσης ενεργοποιείται συχνά, επικοινωνήστε με το σέρβις πελατών της EGO ή με το πλησιέστερο κέντρο σέρβις της EGO.
- Μην πλένετε τη χλοοκοπτική μηχανή με λάστιχο. Αποφεύγετε την εισχώρηση νερού στον κινητήρα και τις ηλεκτρικές συνδέσεις.
- Απομακρύνετε το κλειδί και αποθηκεύετε την αδρανή χλοοκοπτική μηχανή σε εσωτερικό χώρο, εφόσον δε χρησιμοποιείται. Αφήνετε τον κινητήρα να κρυώσει πριν αποθηκεύσετε τη μηχανή σε κλειστό χώρο. Η χλοοκοπτική μηχανή πρέπει να αποθηκεύεται σε στεγνό, υπερωψωμένο ή κλειδωμένο χώρο, μακριά από τα παιδιά.
- Κατά τη συντήρηση του εργαλείου, χρησιμοποιείτε μόνο όμοια ανταλλακτικά, τα οποία αναφέρονται στο παρόν εγχειρίδιο. Η χρήση ανταλλακτικών που δεν πληρούν τις αρχικές προδιαγραφές εξοπλισμού μπορεί να οδηγήσει σε μειωμένη απόδοση και να θέσει σε

κίνδυνο την ασφάλεια.

- Αφαιρείτε ή αποσυνδέετε τη συστοιχία μπαταριών πριν το σέρβις, τον καθαρισμό ή την απομάκρυνση υλικών από τη χλοοκοπτική μηχανή.
- Ακολουθείτε τις οδηγίες σχετικά με την αλλαγή παρελκομένων.
- Διατηρείτε τις λαβές στεγνές, καθαρές και απομακρύνετε από αυτές τυχόν λάδια και γράσο.
- Για τη μείωση κινδύνου πυρκαγιάς, διατηρείτε το κάλυμμα του κινητήρα ελεύθερο από γρασίδι, φύλλα και συσσωρεύσεις υπολειμμάτων.
- Ελέγχετε τη λεπίδα και τα μπουλόνια προσάρτησης του κινητήρα ανά τακτά χρονικά διαστήματα ως προς της σωστή τους σύσφιξη. Επίσης ελέγχετε οπτικά τη λεπίδα για ζημιές (π.χ. λύγισμα, ρωγμές και φθορές). Αντικαθιστάτε τη λεπίδα μόνο με ακριβώς την ίδια ανταλλακτική λεπίδα που αναφέρεται στο εγχειρίδιο.
- Συντηρείτε επιμελώς τη χλοοκοπτική μηχανή και διατηρείτε τη λεπίδα της χλοοκοπτικής μηχανής αιχμηρή και καθαρή για καλύτερη και ασφαλέστερη απόδοση. Οι λεπίδες της χλοοκοπτικής μηχανής είναι αιχμηρές και κοφτερές. Τυλίγετε τη λεπίδα ή φοράτε γάντια και να είστε ιδιαίτερα προσεκτικοί κατά τη συντήρησή.
- Ποτέ μην απομακρύνετε ή παρεμβαίνετε στις συσκευές ασφαλείας. Ελέγχετε την σωστή τους λειτουργία τακτικά. Ποτέ μην παρεμβαίνετε στην προβλεπόμενη λειτουργία μιας διάταξης ασφαλείας ή μη μειώνετε την παρεχόμενη προστασία της.
- Ακίνητοποιείτε πάντοτε τον κινητήρα, προτού να κάνετε ρυθμίσεις σε κάποιον τροχό ή στο ύψος κοπής.
- Μετά από χτύπημα σε ξένο αντικείμενο, ακινητοποιήστε τον κινητήρα, αφαιρέστε το κλειδί και ελέγξτε προσεκτικά τη χλοοκοπτική μηχανή για τυχόν ζημιά. Επισκευάστε τη ζημιά προτού να θέσετε σε λειτουργία τη χλοοκοπτική μηχανή.
- Διατηρείτε ή αντικαθιστάτε τις ετικέτες ασφαλείας και υποδείξεων, όπως απαιτείται. Επικοινωνήστε με το σέρβις πελατών της EGO ή με το πλησιέστερο κέντρο σέρβις της EGO. Οι επισκευές και οι αντικαταστάσεις πρέπει να διεξάγονται από εξειδικευμένο τεχνικό σέρβις!
- **ΦΥΛΑΞΤΕ ΑΥΤΕΣ ΤΙΣ ΟΔΗΓΙΕΣ.** Ανατρέχετε σε αυτές συχνά και χρησιμοποιείτε τις για να εκπαιδευτείτε άλλους που μπορεί να χρησιμοποιήσουν το εργαλείο. Εάν δανείσετε αυτό το εργαλείο σε κάποιον άλλο, δανείστε και αυτές τις οδηγίες, ώστε να αποτρέψετε την εσφαλμένη χρήση του προϊόντος και τον ενδεχόμενο τραυματισμό.

GR

ΧΡΗΣΗ ΚΑΙ ΦΡΟΝΤΙΔΑ ΤΗΣ ΣΥΣΤΟΙΧΙΑΣ ΜΠΑΤΑΡΙΩΝ

- Για τη διατήρηση των φυσικών πόρων, ανακυκλώνετε ή απορρίπτετε τις μπαταρίες σωστά. Αυτό το προϊόν περιέχει συστοιχίες μπαταριών ιόντων λιθίου. Η τοπική ή εθνική νομοθεσία απαγορεύει την απόρριψη μπαταριών ιόντων λιθίου στα κοινά απορρίμματα. Συμβουλευτείτε τον δήμο σας για πληροφορίες σχετικά με τις διαθέσιμες επιλογές ανακύκλωσης και/ή απόρριψης.
- Κατά την αφαίρεση της συστοιχίας μπαταριών με σκοπό την απόρριψη ή την ανακύκλωση, καλύψτε τους ακροδέκτες της συστοιχίας μπαταριών με αυτοκόλλητη ταινία μεγάλης αντοχής. Μην προσπαθείτε να καταστρέψετε, να αποσυναρμολογήσετε τη συστοιχία μπαταριών ή να απομακρύνετε κάποια από τα στοιχεία της. Οι μπαταρίες ιόντων λιθίου πρέπει να ανακυκλώνονται ή να απορρίπτονται σωστά. Επίσης, ποτέ μην αγγίζετε τους ακροδέκτες με μεταλλικά αντικείμενα και/ή με μέλη του σώματος, καθώς μπορεί να προκύψει βραχυκύκλωμα. Να διατηρούνται μακριά από παιδιά. Η μη τήρηση αυτών των προειδοποιήσεων μπορεί να οδηγήσει σε πυρκαγιά και/ή σοβαρό τραυματισμό.
- **ΣΕ ΣΥΝΘΗΚΕΣ ΚΑΚΗΣ ΧΡΗΣΗΣ ΕΝΔΕΧΕΤΑΙ ΝΑ ΔΙΑΡΡΕΥΣΕΙ ΥΓΡΟ ΑΠΟ ΤΗ ΣΥΣΤΟΙΧΙΑ ΜΠΑΤΑΡΙΩΝ – ΜΗΝ ΤΟ ΑΓΓΙΖΕΤΕ. ΣΕ ΠΕΡΙΠΤΩΣΗ ΤΥΧΑΙΑΣ ΕΠΑΦΗΣ, ΞΕΠΛΥΝΕΤΕ ΚΑΛΑ ΜΕ ΝΕΡΟ. ΕΑΝ ΤΟ ΥΓΡΟ ΕΡΘΕΙ ΣΕ ΕΠΑΦΗ ΜΕ ΤΑ ΜΑΤΙΑ, ΑΝΑΖΗΤΗΣΤΕ ΕΠΙΠΡΟΣΘΕΤΩΣ ΙΑΤΡΙΚΗ ΒΟΗΘΕΙΑ.** Το υγρό που διαρρέει από τη συστοιχία μπαταριών μπορεί να προκαλέσει ερεθισμό ή εγκαύματα.

GR

ΠΡΟΔΙΑΓΡΑΦΕΣ

Αριθμός μοντέλου	LM2020E	LM2020E-SP
Αυτοκινούμενο σύστημα	Όχι	Ναι
Τάση	56 V	56 V
Ταχύτητα χωρίς φορτίο	3000 /min	3000 /min
Ύψος κοπής	25-95 χιλ.	25-95 χιλ.
Συνιστώμενη θερμοκρασία λειτουργίας:	0°C - 40°C	0°C - 40°C

Συνιστώμενη θερμοκρασία αποθήκευσης:	-20°C - 70°C	-20°C - 70°C	
Θέσεις ύψους κοπής	6	6	
Μέγεθος βάσης	51 cm	51 cm	
Πλάτος κοπής	50 cm	50 cm	
Χωρητικότητα σάκου συλλογής γρασιδιού	60 L	60 L	
Βάρος χλοοκοπτικού μηχανήματος (χωρίς τη συστοιχία μπαταριών ένθεμα κάλυψης εδάφους)	24,4 κιλά	27,2 κιλά	
Μοντέλο λεπίδας	AB2001	AB2001	
Μετρημένη στάθμη ηχητικής ισχύος L_{WA}	91,5 dB(A) K=1,80 dB(A)	91,0 dB(A) K=1,89 dB(A)	
Στάθμη ηχητικής πίεσης στη θέση χειριστή L_{PA} K=3 dB(A)	79,5 dB(A)	79,2 dB(A)	
Εγγυημένο επίπεδο ισχύος ήχου L_{WA} (μέτρηση σύμφωνα με 2000/14/EC)	93 dB(A)	93 dB(A)	
Δονήσεις a_{rh} K=1,5 m/s ²	Αριστερή λαβή	≤ 2,5 m/s ²	≤ 2,5 m/s ²
	Δεξιά λαβή	≤ 2,5 m/s ²	≤ 2,5 m/s ²
Φρένο λεπίδας	Ναι	Ναι	

- Η αναφερόμενη συνολική τιμή κραδασμών έχει μετρηθεί σύμφωνα με την πρότυπη μέθοδο ελέγχου και μπορεί να χρησιμοποιηθεί για τη σύγκριση ενός εργαλείου με κάποιο άλλο.
- Η αναφερόμενη συνολική τιμή κραδασμών μπορεί να χρησιμοποιηθεί επίσης για την προκαταρκτική αξιολόγηση της έκθεσης.

ΣΗΜΕΙΩΣΗ: Οι εκπομπές κραδασμών κατά τη διάρκεια της πραγματικής χρήσης του ηλεκτρικού εργαλείου μπορεί να διαφέρουν από τη δηλωμένη τιμή στην οποία χρησιμοποιείται το εργαλείο. Για την προστασία του χειριστή, πρέπει να χρησιμοποιούνται γάντια και προστασία της ακοής στις πραγματικές συνθήκες χρήσης.

ΚΑΤΑΛΟΓΟΣ ΕΞΑΡΤΗΜΑΤΩΝ ΣΥΣΚΕΥΑΣΙΑΣ

ΟΝΟΜΑ ΕΞΑΡΤΗΜΑΤΟΣ	ΠΟΣΟΤΗΤΑ
Χλοοκοπτική Μηχανή	1
Σάκος συλλογής γρασιδιού	1

Πλαίσιο σάκου συλλογής γρασιδιού	1
Ένθεμα κάλυψης εδάφους	1
Κλειδί ασφαλείας	1
Εγχειρίδιο χρήσης	1

ΠΕΡΙΓΡΑΦΗ

ΓΝΩΡΙΣΤΕ ΤΟ ΦΥΣΗΤΗΡΑ ΣΑΣ

(Εικ. A & B & C & D & E)

- 1 Διακόπτης εκκένωσης (μοχλός διακόπτη)
- 2 Χειρολαβή
- 3 Κουμπί ασφαλείας
- 4 Αυτοκινούμενη σκανδάλη
- 5 Σύσφιξη ασφάλισης λαβής
- 6 Σάκος συλλογής γρασιδιού
- 7 Μοχλός ρύθμισης ύψους κοπής
- 8 Πίσω τροχός
- 9 Θύρα πλευρικής εξαγωγής
- 10 Βάση χλοοκοπτικού μηχανήματος
- 11 Προβολείς LED
- 12 Κάλυμμα βάσης
- 13 Μπροστινός τροχός
- 14 Κάλυμμα συστοιχίας μπαταριών
- 15 Οπίσθια λαβή
- 16 Μοχλός γρήγορης ρύθμισης
- 17 Πίσω θύρα εξαγωγής
- 18 Πλευρική ράγα
- 19 Αυτοκινούμενος μοχλός ελέγχου ταχύτητας
- 20 Πίσω προστατευτικό
- 21 Κουμπί διακόπτη για λυχνίες LED λειτουργίας
- 22 Ένδειξη ισχύος
- 23 Κουμπί απελευθέρωσης της μπαταρίας
- 24 Εγκοπτή κλειδιού ασφαλείας
- 25 Ένθεμα κάλυψης εδάφους
- 26 Χαάνη πλευρικής εξαγωγής

ΛΕΙΤΟΥΡΓΙΑ

ΣΥΝΑΡΜΟΛΟΓΗΣΗ ΤΟΥ ΣΑΚΟΥ ΓΡΑΣΙΔΙΟΥ

- 1) Σύρετε το σάκο γρασιδιού επάνω στο πλαίσιο (Εικ. F).
- 2) Συναρμολογήστε τα επάνω κλιπ στο πλαίσιο (Εικ. G), κατόπιν συναρμολογήστε τα δύο πλαϊνά κλιπ. Συναρμολογήστε τελευταίο το κάτω κλιπ.
- 3) Ο πλήρως συναρμολογημένος σάκος γρασιδιού απεικονίζεται στην Εικ. H.

ΡΥΘΜΙΣΗ ΤΗΣ ΠΤΥΣΣΟΜΕΝΗΣ ΛΑΒΗΣ

⚠️ ΠΡΟΕΙΔΟΠΟΙΗΣΗ: Μην προσπαθείτε να εκκινήτε το χλοοκοπτικό μηχανήμα έως ότου η λαβή κλειδώσει σε μια από τις δύο προρυθμισμένες θέσεις λειτουργίας (ΕΠΑΝΩ ΘΕΣΗ ΛΕΙΤΟΥΡΓΙΑΣ ή ΚΑΤΩ ΘΕΣΗ ΛΕΙΤΟΥΡΓΙΑΣ).

Το χλοοκοπτικό σας μηχανήμα αποστέλλεται με τη λαβή στην σταθερή ΚΛΕΙΔΩΜΕΝΗ ΘΕΣΗ ΑΠΟΘΗΚΕΥΣΗΣ (Εικ. I).

- 1) Πιέστε και κρατήστε το μοχλό γρήγορης ρύθμισης για να αποδεσμεύσετε τη λαβή από την ΚΛΕΙΔΩΜΕΝΗ ΘΕΣΗ ΑΠΟΘΗΚΕΥΣΗΣ
- 2) Σηκώστε τη λαβή από τη διπλωμένη της θέση, κατόπιν αποδεσμεύστε το μοχλό. Περιστρέψτε απαλά τη λαβή προς τα επάνω, έως ότου ακούσετε και αισθανθείτε να εμπλέκει ο πείρος ασφάλισης σε μια από τις διαφορετικές θέσεις, όπως απεικονίζεται στην Εικ. J.

Εικ. J Για την περιγραφή των εξαρτημάτων δείτε παρακάτω:

J-1	Θέση ασφάλισης για την αποθήκευση
J-2	Προσάρτημα σάκου γρασιδιού/θέση απομάκρυνσης
J-3	Άνω θέση λειτουργίας
J-4	Μεσαία θέση λειτουργίας
J-5	Κάτω θέση λειτουργίας

ΠΡΟΣΑΡΤΗΣΗ/ΑΦΑΙΡΕΣΗ ΣΑΚΟΥ ΓΡΑΣΙΔΙΟΥ/ ΕΝΘΕΜΑΤΟΣ ΚΑΛΥΨΗΣ ΕΔΑΦΟΥΣ

⚠️ ΠΡΟΕΙΔΟΠΟΙΗΣΗ: Σε καμία περίπτωση μην κάνετε οισοδήποτε ρυθμίσεις στην χλοοκοπτική μηχανή χωρίς να σταματήσετε πρώτα τον κινητήρα, να αφαιρέσετε το κλειδί ασφαλείας και να περιμένετε να σταματήσει η λεπίδα να περιστρέφεται.

ΣΗΜΕΙΩΣΗ: Προσαρτάτε οποιαδήποτε εξαρτήματα στο χλοοκοπτικό μηχανήμα πριν την κοπή.

■ Προσάρτηση/Αφαίρεση του σάκου γρασιδιού (Εικ. K)

Ρυθμίστε τη λαβή στην κατάλληλη θέση λειτουργίας. Ανυψώστε τη θύρα πίσω εξαγωγής και αγκιστρώστε το σάκο γρασιδιού στην περιστρεφόμενη ράβδο. Για την απομάκρυνση απλά σηκώστε επάνω το σάκο γρασιδιού, μακριά από την περιστρεφόμενη ράβδο. Τέλος αποδεσμεύστε την πίσω θύρα εξόδου.

ΣΗΜΕΙΩΣΗ: Αφαιρέστε το προ-εγκατεστημένο ένθεμα κάλυψης εδάφους στο χλοοκοπτικό μηχανήμα πριν προσαρτήσετε το σάκο γρασιδιού στο χλοοκοπτικό μηχανήμα.

GR

■ Προσάρτηση/Αφαίρεση του ενθέματος κάλυψης εδάφους (Εικ. L)

Ανυψώστε την πίσω θύρα εξαγωγής και εισαγάγετε το ένθετο κάλυψης εδάφους του χλοοκοπτικού μηχανήματος. Για την απομάκρυνση, απλά τραβήξτε το έξω. Τέλος, απελευθερώστε την πίσω θύρα εξαγωγής.

■ Προσάρτηση/Αφαίρεση του ενθέματος κάλυψης εδάφους (Εικ. M)

Σηκώστε την πλαινή θύρα εξαγωγής. Ευθυγραμμίστε την υποδοχή της χοάνης εξόδου με το κουμπί της θύρας εξόδου και αποδεσμεύστε την πλαινή θύρα εξόδου απαλά για να περιστραφεί γύρω από την περιστρεφόμενη ράβδο, έως ότου ακουμπάει σφιχτά στη χοάνη εξόδου. Για την απομάκρυνση, σηκώστε την πλαινή θύρα εξόδου, σηκώστε επάνω την πλαινή χοάνη εξόδου έξω από το κουμπί συγκροτήματος θύρας.

Εικ. M Για την περιγραφή των εξαρτημάτων δείτε παρακάτω:

M-1	Πλαινή θύρα εξαγωγής
M-2	Κουμπί συγκροτήματος
M-3	Υποδοχή συγκροτήματος
M-4	Πλαινή χοάνη εξαγωγής
M-5	άξονας περιστροφής

ΣΗΜΕΙΩΣΗ: Το ένθετο κάλυψης εδάφους πρέπει να τοποθετείται εφόσον έχει προσαρτηθεί η πλαινή χοάνη εξόδου.

ΡΥΘΜΙΣΗ ΤΟΥ ΥΨΟΥΣ ΚΟΠΗΣ (Εικ. N)

▲ ΠΡΟΕΙΔΟΠΟΙΗΣΗ: Διατηρείτε τα πόδια σας μακριά από τη βάση όταν ρυθμίζετε το ύψος της. Το χλοοκοπτικό μηχανήμα μπορεί να ρυθμιστεί σε 6 ύψη κοπής μεταξύ 25 χιλ. και 95 χιλ. Επιλέξτε το σωστό ύψος κοπής σύμφωνα με τους τύπους και τις συνθήκες γρασιδιού.

ΣΗΜΕΙΩΣΗ: Όταν μετακινείτε το εργαλείο εξασφαλίζετε ότι το ύψος κοπής έχει ρυθμιστεί στη θέση 3 ή υψηλότερα. Σε περίπτωση αδυναμίας, θα μπορούσε να προκληθεί βλάβη στη λεπίδα.

ΠΡΟΣΑΡΤΗΣΗ/ΑΠΟΜΑΚΡΥΝΣΗ ΤΗΣ ΣΥΣΤΟΙΧΙΑΣ ΜΠΑΤΑΡΙΩΝ (Εικ. O)

Να χρησιμοποιείται μονο με τις συστοιχίες μπαταριών και τους φορτιστές που αναφέρονται στην εικ. A.

ΦΟΡΤΙΣΗ ΠΡΙΝ ΑΠΟ ΤΗΝ ΠΡΩΤΗ ΧΡΉΣΗ.

▲ ΠΡΟΕΙΔΟΠΟΙΗΣΗ: Εάν έχουν σπάσει ή λείπουν εξαρτήματα μην προσπαθείτε να προσαρτήσετε τη

συστοιχία μπαταριών στο χλοοκοπτικό μηχανήμα ή να χειριστείτε τη μηχανήμα, έως ότου αντικατασταθούν τα σπασμένα ή ελλιπή εξαρτήματα. Σε αντίθετη περίπτωση, ενέχει κίνδυνος σοβαρού τραυματισμού.

■ Προσάρτηση

Ωθήστε τη συστοιχία μπαταριών στο χώρο μπαταρίας, έως ότου ακούσετε ένα «κλικ».

■ Απομάκρυνση

Πιέστε το κουμπί αποδέσμευσης μπαταρίας στο χώρο μπαταρίας.

Εικ. O Για την περιγραφή των εξαρτημάτων δείτε παρακάτω:

O-1	Εγκοπή κλειδιού ασφαλείας
O-2	Κλειδί ασφαλείας
O-3	Κουμπί απελευθέρωσης της μπαταρίας

ΣΗΜΕΙΩΣΗ: Βεβαιώνετε ότι το μάνταλο στο χλοοκοπτικό μηχανήμα κουμπώνει στη θέση του και ότι η συστοιχία μπαταριών ασφαλίσει στο μηχανήμα, προτού εκκινήσετε τη λειτουργία.

ΕΝΑΡΞΗ/ΣΤΑΜΑΤΗΜΑ ΤΟΥ ΧΛΟΟΚΟΠΤΙΚΟΥ ΜΗΧΑΝΗΜΑΤΟΣ

▲ ΠΡΟΕΙΔΟΠΟΙΗΣΗ: Η λειτουργία οποιουδήποτε χλοοκοπτικού μηχανήματος μπορεί να επιφέρει εκτόξευση ξένων αντικειμένων στα δικά σας μάτια ή σε άλλων ανθρώπων, με συνέπεια σοβαρή βλάβη σε αυτά. Φοράτε πάντα γυαλιά ασφαλείας ενώ χειρίζεστε το χλοοκοπτικό μηχανήμα ή ενώ διεξάγετε οιοσδήποτε ρυθμίσεις ή επισκευές σε αυτό.

▲ ΠΡΟΕΙΔΟΠΟΙΗΣΗ: Εξασφαλίζετε ότι άλλα άτομα ή κατοικίδια παραμένου τουλάχιστον 30 μ. μακριά από το μηχανήμα όταν αυτό χρησιμοποιείται.

▲ ΠΡΟΕΙΔΟΠΟΙΗΣΗ: Η λεπίδα συνεχίζει να περιστρέφεται για μερικά δευτερόλεπτα μετά την απενεργοποίηση του μηχανήματος. Επιτρέψτε να σταματήσει η περιστροφή του μοτέρ/της λεπίδας, πριν από επανεκκίνηση. Μην απενεργοποιείτε και ενεργοποιείτε το μηχανήμα με μεγάλη ταχύτητα.

ΚΛΕΙΔΙ ΑΣΦΑΛΕΙΑΣ

Για να εμποδίσετε τυχαία εκκίνηση ή μη εξουσιοδοτημένη χρήση του ασύρματου χλοοκοπτικού μηχανήματος, έχει ενσωματωθεί ένα αποσπώμενο κλειδί ασφαλείας στο σχέδιο χλοοκοπτικού μηχανήματος. Το μηχανήμα απενεργοποιείται πλήρως όταν το κλειδί ασφαλείας αφαιρεθεί από αυτό.

⚠ ΚΙΝΔΥΝΟΣ: Οι περιστρεφόμενες λεπίδες μπορεί να προκαλέσουν σοβαρό τραυματισμό. Για να εμποδίσετε σοβαρό τραυματισμό, αφαιρείτε το κλειδί ασφαλείας όταν το μηχάνημα δεν επιτηρείται ή κατά τη ρύθμιση, τον καθαρισμό, το σέρβις, τη μεταφορά, την ανύψωση ή την αποθήκευση του.

ΣΗΜΕΙΩΣΗ: Το μοτέρ δεν εκκινείται εκτός εάν:

- Η λαβή είναι ασφαλισμένη σε μια από τις τρεις θέσεις λειτουργίας, δείτε ΡΥΘΜΙΣΗ ΤΗΣ ΠΤΥΣΣΟΜΕΝΗΣ ΛΑΒΗΣ.
- Οι πλευρικές ράγες έχουν εκταθεί πλήρως (Εικ. Ρ).
- Και οι δύο πράσινες συσφιξεις κλειδώματος λαβής έχουν κλείσει με ασφάλεια (Εικ. Q).

Q-1 γραμμή ένδειξης

⚠ ΠΡΟΦΥΛΑΞΗ: Μην προσπαθείτε να παρακάμψετε τη λειτουργία του κουμπιού ασφαλείας και του διακόπτη εκκένωσης.

Εκκίνηση

- 1) Προσαρτήστε τη συστοιχία μπαταριών στο χλοοκοπτικό μηχάνημα, εισαγάγετε το κλειδί ασφαλείας μέσα στην εσοχή κλειδιού και κλείστε το κάλυμμα μπαταρίας (Εικ. Ο).
- 2) Σύμφωνα με την Εικ. Ρ, πιέστε κάτω το κουμπί ασφαλείας.
- 3) Με πατημένο το κουμπί ασφαλείας, τραβήξτε το διακόπτη εκκένωσης προς τα επάνω στη λαβή και αποδεσμεύστε το κουμπί ασφαλείας.

Σταμάτημα

- 1) Απελευθερώστε εντελώς το διακόπτη εκκένωσης.
- 2) Το ηλεκτρικό φρένο στον αυτόματο μηχανισμό φρεναρίσματος θα σταματήσει την περιστροφή λεπίδας εντός 3 δευτερολέπτων από την αποδέσμευση διακόπτη εκκένωσης.

ΑΥΤΟΚΙΝΟΥΜΕΝΟ ΣΥΣΤΗΜΑ ΜΕΤΑΒΛΗΤΗΣ ΤΑΧΥΤΗΤΑΣ

Το LM2020E-SP είναι ένα χλοοκοπτικό μηχάνημα εξοπλισμένο με αυτοκινούμενη δυνατότητα μεταβλητής ταχύτητας. Το σύστημα είναι ανεξάρτητο από τον διακόπτη On/Off λεπίδας. Δεν εξαρτάται από την περιστροφή λεπίδας.

Για να λειτουργεί το σύστημα χωρίς περιστροφή λεπίδας, τραβήξτε την αυτοκινούμενη σκανδάλη στη λαβή.

Για να κλείσετε το αυτοκινούμενο σύστημα, αποδεσμεύστε την αυτοκινούμενη σκανδάλη.

Το σύστημα διαθέτει μεταβλητή ταχύτητα. Για να αυξήσετε την ταχύτητα, μετακινήστε τον αυτοκινούμενο μοχλό ελέγχου ταχύτητας προς τα εμπρός. Για να μειώσετε την ταχύτητα, μετακινήστε τον αυτοκινούμενο μοχλό ελέγχου ταχύτητας προς τα πίσω (Εικ. Τ).

Λειτουργία με περιστροφή της λεπίδας για την κοπή:

1. Εκκινήστε το χλοοκοπτικό μηχάνημα.
2. Ενώ κρατάτε τον διακόπτη εκκένωσης προς τη λαβή με το αριστερό σας χέρι, τραβήξτε την αυτοκινούμενη σκανδάλη στη λαβή με το δεξί σας χέρι.
3. Κρατήστε το διακόπτη εκκένωσης και την αυτοκινούμενη σκανδάλη ταυτόχρονα προς τη λαβή με το δεξί σας χέρι και χρησιμοποιήστε το αριστερό σας χέρι για να ρυθμίσετε τον αυτοκινούμενο μοχλό ταχύτητας ελέγχου για να επιλέξετε την επιθυμητή ταχύτητα.

⚠ ΠΡΟΕΙΔΟΠΟΙΗΣΗ: Για να μειώσετε τον κίνδυνο τραυματισμού, ποτέ μην προσπαθείτε να παρακάμψετε τη λειτουργία του διακόπτη ή του αυτοκινούμενου συστήματος. Χρησιμοποιείτε το αυτοκινούμενο σύστημα μόνο για την προοριζόμενη του χρήση.

ΠΡΟΒΟΛΕΙΣ LED (Εικ. Α-13)

Πιέστε το κουμπί διακόπτη (Εικ. C-22) για να ενεργο-/απενεργοποιήσετε τις προβολείς LED στο μπροστινό τμήμα του χώρου μπαταρίας.

ΕΝΔΙΕΞΗ ΙΣΧΥΟΣ ΣΤΟ ΧΛΟΟΚΟΠΤΙΚΟ ΜΗΧΑΝΗΜΑ (Εικ. U)

Το χλοοκοπτικό μηχάνημα είναι εξοπλισμένο με μια ένδειξη ισχύος που υποδηλώνει την κατάσταση φόρτισης της συστοιχίας μπαταριών και την κατάσταση λειτουργίας του μηχανήματος. Η ένδειξη ισχύος ανάβει όταν η λεπίδα περιστρέφεται ή όταν οι λυχνίες LED λειτουργίας είναι ενεργές.

GR

Ένδειξη ισχύος στο χλοοκοπτικό μηχανήμα	Σημασία	Ενέργεια
Ανάβει πράσινο	Το χλοοκοπτικό μηχανήμα λειτουργεί σωστά. Η μπαταρία έχει τουλάχιστον 15% φορτίου	N/A
Ανάβει κόκκινο	Χαμηλή μπαταρία	Σταματήστε το χλοοκοπτικό μηχανήμα και φορτίστε τη συστοιχία μπαταριών
Αναβοσβήνει κόκκινο	Η μπαταρία έχει σχεδόν αδειάσει	Σταματήστε το χλοοκοπτικό μηχανήμα και φορτίστε τη συστοιχία μπαταριών
Ανάβει πορτοκαλί	Το χλοοκοπτικό μηχανήμα ή η συστοιχία μπαταριών έχει υπερθερμανθεί	Αφαιρέστε τη μπαταρία από το χλοοκοπτικό μηχανήμα, μετακινήστε τα στη σκιά και επιτρέψτε να κρυσώσουν για τουλάχιστον 15 λεπτά
Αναβοσβήνει πορτοκαλί	Το χλοοκοπτικό μηχανήμα έχει υπερφορτωθεί	Επιβραδύνετε το ρυθμό σας ή αυξήστε το ύψος κοπής για να μειώσετε το φορτίο

GR

ΠΡΟΣΤΑΣΙΑ ΥΠΕΡΦΟΡΤΩΣΗΣ ΧΛΟΟΚΟΠΤΙΚΟΥ ΜΗΧΑΝΗΜΑΤΟΣ

Για να εμποδίσετε συνθήκες υπερφόρτωσης, μην προσπαθείτε να απομακρύνετε πολύ γρασιδί τη φορά. Επιβραδύνετε το ρυθμό κοπής ή αυξήστε το ύψος κοπής.

Το χλοοκοπτικό σας μηχανήμα έχει μια ενσωματωμένη προστασία κυκλώματος από υπερφόρτωση. Όταν το χλοοκοπτικό μηχανήμα έχει υπερφορτωθεί, το μοτέρ θα σταματήσει και η ένδειξη ισχύος στο μηχανήμα θα αναβοσβήνει πορτοκαλί. Απομακρύνετε τη συστοιχία μπαταριών από το χλοοκοπτικό μηχανήμα. Βεβαιωθείτε ότι το γρασιδί έχει συγκεντρωθεί κάτω από τη βάση και καθαρίστε το εφόσον χρειάζεται, κατόπιν τοποθετήστε τη μπαταρία και επανεκκινήστε το χλοοκοπτικό μηχανήμα.

ΠΡΟΣΤΑΣΙΑ ΥΨΗΛΗΣ ΘΕΡΜΟΚΡΑΣΙΑΣ ΜΠΑΤΑΡΙΑΣ

Η συστοιχία μπαταριών δημιουργεί θερμότητα κατά τη

λειτουργία. Η θερμότητα διασκορπίζεται πιο αργά σε θερμές καιρικές συνθήκες. Εάν η θερμοκρασία μπαταρίας υπερβεί τους 70°C κατά τη διάρκεια της λειτουργίας, το κύκλωμα ασφαλείας απενεργοποιεί αμέσως το χλοοκοπτικό μηχανήμα για την προστασία της συστοιχίας μπαταριών από ζημιά. Η ένδειξη ισχύος στο χλοοκοπτικό μηχανήμα θα ανάψει πορτοκαλί και το LED στη μπαταρία θα αναβοσβήσει πορτοκαλί. Αποδεσμεύστε τη λαβή εκκένωσης, περιμένετε έως ότου η συστοιχία μπαταριών κρυσώσει και φτάσει στους 67°C, κατόπιν επανεκκινήστε το χλοοκοπτικό μηχανήμα.

ΣΥΝΤΗΡΗΣΗ

⚠ ΠΡΟΕΙΔΟΠΟΙΗΣΗ: Προς αποφυγή σοβαρού ατομικού τραυματισμού, απομακρύνετε πάντα το κλειδί ασφαλείας από το χλοοκοπτικό μηχανήμα πριν από καθαρισμό, διεξαγωγή οιασδήποτε συντήρησης ή μεταφοράς του χλοοκοπτικού μηχανήματος.

⚠ ΠΡΟΕΙΔΟΠΟΙΗΣΗ: Όταν κάνετε συντήρηση του εργαλείου, χρησιμοποιείτε μόνο ίδια ανταλλακτικά. Η χρήση οποιωνδήποτε άλλων εξαρτημάτων μπορεί να προκαλέσει κίνδυνο ή υλικές ζημιές. Για να διασφαλίσετε την ασφάλεια και την αξιοπιστία, όλες οι επισκευές και οι αντικαταστάσεις πρέπει να διεξάγονται από εξειδικευμένο τεχνικό του σέρβις.

ΚΑΘΑΡΙΣΜΟΣ ΤΗΣ ΧΛΟΟΚΟΠΤΙΚΗΣ ΜΟΝΑΔΑΣ

⚠ ΠΡΟΕΙΔΟΠΟΙΗΣΗ: Πάντα απομακρύνετε το κλειδί ασφαλείας και τη συστοιχία μπαταριών όταν συντηρείτε ή μεταφέρετε το χλοοκοπτικό μηχανήμα

Η κάτω πλευρά της βάσης χλοοκοπτικού πρέπει να καθαρίζεται μετά από κάθε χρήση καθώς συσσωρεύονται αποκόμματα χόρτου, φύλλα, βρόμες και άλλα υπολείμματα.

Απομακρύνετε οποιαδήποτε συσώρευση γρασιδιού και φύλλων επάνω ή γύρω από το κάλυμμα μοτέρ (μη χρησιμοποιείτε νερό). Σκουπίστε το χλοοκοπτικό μηχανήμα με ένα στεγνό πανί.

ΑΦΑΙΡΕΣΗ/ΕΓΚΑΤΑΣΤΑΣΗ ΤΗΣ ΛΕΠΙΔΑΣ

⚠ ΠΡΟΕΙΔΟΠΟΙΗΣΗ: Προστατεύετε πάντα τα χέρια σας φορώντας ανθεκτικά γάντια ή τυλίγοντας τις ακμές κοπής με πανιά ή άλλα υλικά όταν διεξάγετε συντήρηση στη λεπίδα χλοοκοπτικού μηχανήματος. Απομακρύνετε πάντα το κλειδί ασφαλείας και τη συστοιχία μπαταριών κατά τη συντήρηση ή μεταφορά του μηχανήματος.

■ Αφαίρεση της λεπίδας (Εικ. W)

ΣΗΜΕΙΩΣΗ: Εάν το μπουλόνι περιστρέφεται με τον άξονα μοτέρ όταν το λασκάρετε, γυρίστε τον ανεμιστήρα με το χέρι για να ευθυγραμμίσετε τις διαμπερείς οπές στον ανεμιστήρα με τις οπές στη λεπίδα και τοποθετήστε μια άλλη μεταλλική ράβδο μέσα στις ευθυγραμμισμένες οπές

■ **Τοποθέτηση της λεπίδας**

Τηρώντας την αλληλουχία συναρμολόγησης στην Εικ. V, με τη λεπίδα ανεμιστήρα προς τη βάση και την προεξοχή στη λεπίδα προς τα έξω, ευθυγραμμίστε τις διαμπερές σπές στον ανεμιστήρα με τις σπές στη λεπίδα (Εικ. X) και κατόπιν σφίξτε τη λεπίδα όπως φαίνεται στην Εικ. X.

Εικ. V & W Για την περιγραφή των εξαρτημάτων δείτε παρακάτω

V-1	Σταθεροποιητής 1	V-5	Εσωτερική φλάντζα
V-2	Σταθεροποιητής 2	W-5	Λεπίδα
V-3	Κλειδί 14 χιλ.	W-5	Εξωτερική φλάντζα
V-4	Ανεμιστήρας	W-3	Μπουλόνι

ΣΗΜΕΙΩΣΗ: Η προτεινόμενη ροπή σύσφιξης του μπουλονιού λεπίδας είναι 49-59Nm.

ΑΠΟΘΗΚΕΥΣΗ ΤΟΥ ΧΛΟΟΚΟΠΤΙΚΟΥ ΜΗΧΑΝΗΜΑΤΟΣ

- Απομακρύνετε τη συστοιχία μπαταριών από το χλοοκοπτικό μηχάνημα και αποθηκεύστε την σε μια δροσερή, στεγνή και καθαρή τοποθεσία. Μην την αποθηκεύετε δίπλα σε διαβρωτικά υλικά, όπως λιπάσματα ή ορυκτό αλάτι.
- Αποθηκεύστε το χλοοκοπτικό μηχάνημα σε έναν καλυμμένο, κλειστό χώρο που είναι δροσερός, στεγνός και εκτός εμβέλειας παιδιών.
- Μην καλύπτετε το χλοοκοπτικό μηχάνημα με ένα ενιαίο πλαστικό φύλλο. Τα πλαστικά φύλλα παγιδεύουν υγρασία γύρω από το χλοοκοπτικό μηχάνημα με αποτέλεσμα να προκαλείται σκουριά και διάβρωση.
- Το χλοοκοπτικό μπορεί να αποθηκεύεται σε κάθετη ή οριζόντια θέση (Εικ. Y).

⚠️ ΠΡΟΕΙΔΟΠΟΙΗΣΗ: Εάν το χλοοκοπτικό μηχάνημα αρχίσει να ανατρέπεται από την όρθια θέση, μπορεί να προκληθεί ζημιά στο μηχάνημα ή ατομικός τραυματισμός. Διατηρείτε πάντα το χλοοκοπτικό σταθερό και εκτός εμβέλειας παιδιών όταν είναι σε όρθια θέση. Εάν είναι δυνατόν, τοποθετήστε το οριζόντια για την αποθήκευση.

Προστασία του περιβάλλοντος



Μην απορρίπτετε τους ηλεκτρικούς εξοπλισμούς, το φορτιστή μπαταρίας και τις μπαταρίες/επαναφορτιζόμενες μπαταρίες στα οικιακά απορρίμματα!

Σύμφωνα με τον Ευρωπαϊκό νόμο 2012/19/ΕΕ, οι ηλεκτρικοί και οι ηλεκτρονικοί εξοπλισμοί που δεν χρησιμοποιούνται πλέον και σύμφωνα με τον Ευρωπαϊκό νόμο 2006/66/ΕΚ, οι ελαττωματικές ή χρησιμοποιημένες συστοιχίες μπαταριών/μπαταρίες πρέπει να συλλέγονται ξεχωριστά.

Εάν οι ηλεκτρικές συσκευές απορριφθούν στο ύπαιθρο ή σε χλωματερές, τότε είναι πιθανό να διαρρεύσουν επικίνδυνες ουσίες στα υπόγεια ύδατα, με αποτέλεσμα να περάσουν στην τροφική αλυσίδα, προκαλώντας ζημιές στην υγεία και την φυσική σας κατάσταση.

ΑΝΤΙΜΕΤΩΠΙΣΗ ΠΡΟΒΛΗΜΑΤΩΝ

⚠ ΠΡΟΕΙΔΟΠΟΙΗΣΗ: Απομακρύνετε πάντα το κλειδί ασφαλείας και τη συστοιχία μπαταριών κατά τη συντήρηση ή μεταφορά του μηχανήματος. Προστατεύετε πάντα τα χέρια σας φορώντας ανθεκτικά γάντια ή τυλίγοντας τις ακμές κοπής με πανιά ή άλλα υλικά όταν διεξάγετε συντήρηση στη λεπίδα χλοοκοπτικού μηχανήματος.

ΠΡΟΒΛΗΜΑ	ΑΙΤΙΑ	ΕΠΙΛΥΣΗ
Το χλοοκοπτικό μηχανήμα δεν εκκινείται	<ul style="list-style-type: none"> ■ Η συστοιχία μπαταριών έχει εξαντληθεί. ■ Η συστοιχία μπαταριών δεν έχει τοποθετηθεί στη θέση της στο χώρο μπαταρίας. ■ Το κύκλωμα μπαταρίας ή χλοοκοπτικού μηχανήματος είναι πολύ καυτό. (Η ένδειξη ισχύος στο χλοοκοπτικό μηχανήμα ανάβει πορτοκαλί για 10 δευτερόλεπτα) ■ Οι πλευρικές ράγες δεν εκτείνονται στο μέγιστο μήκος τους και οι συσφίξεις δεν ασφαλίζουν στη σωστή θέση. ■ Η λαβή δεν ρυθμίζεται σε μια από τις δύο θέσεις λειτουργίας. ■ Η βάση χλοοκοπτικού μηχανήματος έχει μπλοκαριστεί με γρασίδι και υπολείμματα. 	<ul style="list-style-type: none"> ■ Φορτίστε τη συστοιχία μπαταριών. ■ Τοποθετήστε τη συστοιχία μπαταριών στο χλοοκοπτικό μηχανήμα. ■ Επιτρέψτε να κρυώσει η συστοιχία μπαταριών ή η χλοοκοπτική μηχανή, έως ότου η θερμοκρασία πέσει κάτω από τους 67°C. ■ Εκτείνετε πλήρως τη λαβή και ασφαλίστε και τις δύο συσφίξεις. ■ Ρυθμίστε τη λαβή σε μια από τις δύο θέσεις λειτουργίας. ■ Καθαρίστε τη βάση χλοοκοπτικού μηχανήματος και εξασφαλίστε ότι η λεπίδα κινείται ελεύθερα.
Το χλοοκοπτικό κόβει ακανόνιστα	<ul style="list-style-type: none"> ■ Η λεπίδα είναι στομωμένη. ■ Το ύψος κοπής δεν έχει ρυθμιστεί σωστά. ■ Η λεπίδα έχει συναρμολογηθεί λάθος. 	<ul style="list-style-type: none"> ■ Τροχήστε ή αντικαταστήστε τη λεπίδα. ■ Σηκώστε τη βάση σε υψηλότερη ρύθμιση ύψους κοπής. ■ Επανασυναρμολογήστε τη λεπίδα, τηρώντας το απόσπασμα «ΕΓΚΑΤΑΣΤΑΣΗ ΤΗΣ ΛΕΠΙΔΑΣ» στο παρόν εγχειρίδιο.

GR

ΠΡΟΒΛΗΜΑ	ΑΙΤΙΑ	ΕΠΙΛΥΣΗ
Το χλοοκοπτικό σταματάει κατά την κοπή	<ul style="list-style-type: none"> ■ Η συστοιχία μπαταριών έχει εξαντληθεί. ■ Το χλοοκοπτικό βρίσκεται στην κατάσταση υπερφόρτωσης. ■ Η βάση χλοοκοπτικού μηχανήματος έχει μπλοκαριστεί με γρασίδι και υπολείμματα. ■ Το κύκλωμα μπαταρίας ή χλοοκοπτικού μηχανήματος είναι πολύ καυτό. (Η ένδειξη ισχύος στο χλοοκοπτικό μηχανήμα ανάβει πορτοκαλί για 10 δευτερόλεπτα) ■ Η πλευρική ράγα έχει ανασυρθεί λίγο λόγω της ισχύος ώθησης που εφαρμόστηκε στη λαβή. 	<ul style="list-style-type: none"> ■ Φορτίστε τη συστοιχία μπαταριών. ■ Αυξήστε το ύψος κοπής ή επιβραδύνετε την κοπή. ■ Απομακρύνετε το μπλοκάρισμα στη βάση χλοοκοπτικού μηχανήματος. Αυξήστε το ύψος κοπής ή κόψτε έναν στενό διάδρομο. ■ Επιτρέψτε να κρυώσει η συστοιχία μπαταριών ή η χλοοκοπτική μηχανή, έως ότου η θερμοκρασία πέσει κάτω από τους 67°C. ■ Απασφαλίστε τις συσφίξεις. Εκτείνετε πλήρως τις πλάγιες ράγες και ασφαλίστε πάλι τις συσφίξεις.
Το χλοοκοπτικό μηχανήμα δεν κάνει σωστή κάλυψη εδάφους	<ul style="list-style-type: none"> ■ Υγρά αποκόμματα γρασιδιού κολλάνε στην κάτω πλευρά της βάσης. ■ Το χλοοκοπτικό έχει ρυθμιστεί να κόβει πολύ γρασίδι μονομιάς. 	<ul style="list-style-type: none"> ■ Περιμένετε έως ότου το γρασίδι στεγνώσει προτού κόψετε. ■ Σηκώστε τη βάση σε υψηλότερη ρύθμιση ύψους κοπής.
Προκύπτουν υπερβολικοί κραδασμοί	<ul style="list-style-type: none"> ■ Η λεπίδα κοπής είναι λασκαρισμένη. ■ Η λεπίδα κοπής δεν έχει ισορροπία. ■ Η λεπίδα κοπής έχει λυγίσει. ■ Ο άξονας κινητήρα έχει λυγίσει. 	<ul style="list-style-type: none"> ■ Σφίξτε το μπουλόνι λεπίδας. ■ Ισορροπήστε τη λεπίδα τηρώντας τις οδηγίες. ■ Αντικαταστήστε τη λεπίδα. ■ Επικοινωνήστε με το κέντρο σέρβις.
Οι συσφίξεις ασφάλισης λαβής δεν κλείνουν στη σωστή θέση.	<ul style="list-style-type: none"> ■ Οι πλάγιες ράγες δεν εκτείνονται πλήρως. 	<ul style="list-style-type: none"> ■ Εκτείνετε πλήρως τις πλάγιες ράγες, κατόπιν ασφαλίστε τις συσφίξεις.

ΕΓΓΥΗΣΗ

ΠΟΛΙΤΙΚΗ ΕΓΓΥΗΣΗΣ EGO

Επισκεφθείτε την ιστοσελίδα egopowerplus.com για όλους τους όρους και τις προϋποθέσεις της πολιτικής εγγύησης EGO.

TÜM TALİMATLARI OKUYUN!



KULLANIM KILAVUZUNU OKUYUN

UYARI: Güvenliği ve güvenilirliği sağlamak için, tüm onarım işlemleri yetkili bir servis teknisyeni tarafından gerçekleştirilmelidir.

Kullanım Amacı ve Öngörülebilir Hatalı Kullanım: Ürün sadece ev bahçelerinde çim biçmek için tasarlanmıştır. Anormal derecede uzun, kuru veya ıslak çimler (çayır vb.) veya kuru yaprak yığınlarını biçmek için kullanılmamalıdır. Ürün sadece açıklanan kullanım amacı doğrultusunda kullanılmalıdır. Diğer kullanım şekilleri hatalı kullanım olarak kabul edilir.

GÜVENLİK SEMBOLLERİ

Güvenlik sembollerinin amacı olası tehlikelere dikkatinizi çekmektir. Güvenlik sembolleri ve yanlarındaki açıklamalar özel dikkat ve anlayış göstermenizi gerektirir. Uyarı sembolleri kendi başlarına herhangi bir tehlikeyi gidermez. Sundukları talimat ve uyarılar uygun kaza önleme önlemlerinin yerine geçmez.

UYARI: Bu aleti kullanmadan önce, “**TEHLİKE**”, “**UYARI**” ve “**DİKKAT**” gibi tüm güvenlik uyarı ve sembollerini içeren bu Kullanım Kılavuzu içerisindeki tüm güvenlik talimatlarını okuyup anladığınızdan emin olun. Aşağıdaki talimatların tamamına uyulmaması elektrik çarpması, yangın ve/veya ciddi kişisel yaralanma ile sonuçlanabilir.

SEMBOÜN ANLAMI

GÜVENLİK UYARI SEMBOLÜ: TEHLİKE, UYARI veya **DİKKAT** edilmesi gereken durumları gösterir. Diğer semboller veya resimlerde birlikte kullanılabilir.

UYARI: Elektrikli aletlerin kullanımı yabancı nesnelere gözlerinize fırlatılması sonucunu doğurabilir, bu da gözlerde ciddi hasara yol açabilir. Elektrikli aleti kullanmaya başlamadan önce, daima göz koruması veya yan siperleri olan koruyucu gözlük takın ve gerektiğinde tam yüz siperi kullanın. Gözlük üzerine kullanım için Wide Vision Koruyucu Maske ya da yan siperleri olan standart koruyucu gözlükleri tavsiye ederiz.

GÜVENLİK TALİMATLARI

Bu sayfada, bu ürün üzerinde görülebilecek güvenlik sembolleri gösterilmekte ve açıklanmaktadır. Makineyi monte etmeye ve kullanmaya başlamadan önce, makineye ilişkin tüm talimatları okuyup anlayın ve bu talimatlara uyun.

	Güvenlik Uyarısı	Güvenliğinizle ilgili önlemler.
	Kullanım Kılavuzunu Okuyun	Yaralanma riskini azaltmak için, kullanıcı bu ürünü kullanmadan önce kullanım kılavuzunu okuyup anlamalıdır.
	Keskin bıçaklara karşı dikkatli olun.	Kesim bıçakları motor kapatıldıktan sonra da dönmeye devam eder – Bakım yapmadan önce cihazı emniyete alın. Ayar veya temizlik işlemi öncesinde gücü kapatın ve sökülebilir pil paketini (veya emniyet aygıtını) çıkarın.
	Üçüncü Şahısları Uzak Tutun	Çim biçme makinesi kullanılırken diğer insanların ve evcil hayvanların en az 30 m uzakta olduklarından emin olun.
	Ayak tutmak ve el	Ayak tutmak ve el
	CE	Bu ürün geçerli AB direktiflerine uygundur.
	UKCA	Bu ürün, yürürlükteki Birleşik Krallık yasalarına uygundur.
	WEEE	Atık elektrikli ürünler, evsel atıklar ile birlikte imha edilmemelidir. Yetkili bir geri dönüşüm merkezine götürün.
	Gürültü	Garanti edilen ses gücü seviyesi. Avrupa Birliği Yönetmeliği'ne göre çevre gürültü emisyonu.
	IP Sembolü	Su girişine karşı koruma derecesi 4
	Volt	Voltaj
	Amper	Akım
	Hertz	Frekans (saniyedeki dönüş sayısı)

TR

W	Watt	Güç
min	Dakika	Zaman
	Alternatif Akım	Akım türü
	Doğru Akım	Akım türü ve özelliği
n ₀	Yüksüz Hız	Yüksüz dönüş hızı
.../min	Dakika Başına	Dakika başına dönüş

ELEKTRİKLİ ALETLER İÇİN GENEL GÜVENLİK UYARILARI

⚠ UYARI: BU ELEKTRİKLİ ALET İLE BİRLİKTE VERİLEN TÜM GÜVENLİK UYARILARINI, TALİMATLARI, ÇİZİMLERİ VE TEKNİK ÖZELLİKLERİ OKUYUN. Aşağıdaki talimatların tamamına uyulmaması elektrik çarpması, yangın ve/veya ciddi yaralanma ile sonuçlanabilir.

TÜM UYARI VE TALİMATLARI GELECEKTE BAŞVURU AMACIYLA MUHAFAZA EDİN.

Uyarılarda geçen "elektrikli alet" terimi ile elektrik prizinden beslenen (kablolu) elektrikli alet veya şarjlı (kablesiz) elektrikli alet kastedilmektedir.

ÇALIŞMA ALANI GÜVENLİĞİ

- Çalışma alanını temiz tutun ve yeterli aydınlatma sağlayın. Karışık veya karanlık alanlar kazalara yol açar.
- Elektrikli aletleri yanıcı sıvı, gaz veya toz içeren patlayıcı ortamlarda çalıştırmayın. Elektrikli aletten çıkan kıvılcıklar toz veya gazları tutuşturabilir.
- Çalışırken çocukları ve üçüncü şahısları elektrikli aletten uzak tutun. Dikkatinizin dağılması kontrolü kaybetmenize neden olabilir.

ELEKTRİK GÜVENLİĞİ

- Elektrikli aletin fişi prize uygun olmalıdır. Fiş üzerinde asla değişiklik yapmayın. Topraklı (topraklamalı) elektrikli aletler için herhangi bir adaptör fişi kullanmayın. Üzerinde değişiklik yapılmamış fişler ve uygun prizler elektrik çarpması tehlikesini azaltacaktır.

- Boru, radyatör, fırınlı ocak ve buzdolabı gibi topraklanmış yüzeylerle temastan kaçının. Vücudunuz toprakla temas ederse elektrik çarpması riski artar.
- Elektrikli aletleri yağmur veya ıslak ortamlara maruz bırakmayın. Elektrikli alet içine giren su, elektrik çarpması riskini artırır.
- Kabloyu hatalı kullanmayın. Kabloyu elektrikli aleti taşımak, çekmek veya prizden çıkarmak için kullanmayın. Kabloyu sıcağından, yağdan, keskin kenarlardan veya hareketli parçalardan uzak tutun. Hasarlı veya birbirine dolaşmış kablolar elektrik çarpması riskini artırır.
- Bir elektrikli aleti açık havada kullanırken, uygun bir dış mekan uzatma kablosu kullanın. Dış mekan için uygun bir kablunun kullanılması elektrik çarpması riskini azaltır.
- Elektrikli aletin nemli bir yerde çalıştırılması kaçınılmazsa, artık akım cihazı (RCD) korumalı bir kaynak kullanın. RCD (artık akım cihazı) kullanımı elektrik çarpması riskini azaltır.

KİŞİSEL GÜVENLİK

- Elektrikli aletleri kullanırken daima dikkatli olun, yaptığınız işe yoğunlaşın ve sağduyulu davranın. Yorgunken, uyuşturucu, alkol veya ilaçlı bir tedavi etkisi altındayken elektrikli aleti kullanmayın. Elektrikli aletleri kullanırken bir anlık dikkatsizlik ciddi kişisel yaralanmayla sonuçlanabilir.
- Kişisel koruyucu ekipman kullanın. Daima koruyucu gözlük takın. Koşullara uygun toz maskesi, kaymaz emniyet ayakkabıları, kask veya işitme koruması vb. koruyucu ekipman kullanılması kişisel yaralanmaları azaltır.
- Yanlışlıkla çalıştırmaktan kaçının. Aleti güç kaynağına ve/veya aküye takmadan, havaya kaldırmadan veya taşımadan önce açma kapama düğmesinin kapalı olduğundan emin olun. Aleti, parmağınız açma kapama düğmesi üzerinde dururken taşımak veya alet açırken fişi prize takmak kazalara davetiye çıkarır.
- Elektrikli aleti çalıştırmadan önce, herhangi bir alyen veya anahtar varsa çıkarın. Elektrikli aletin döner parçalarına takılı kalmış bir alyen veya anahtar kişisel yaralanmalara neden olabilir.
- Dengesiz bir duruşla çalışma yapmayın. Çalışma süresince ayaklarınızı sağlam basın ve dengeyi koruyun. Böyle yapılması, beklenmedik durumlarda elektrikli aletin daha iyi kontrol edilmesini sağlar.

- **Uygun bir şekilde giyinin. Bol giysiler giymeyin veya takı takmayın. Saçlarınızı, elbiselerinizi ve eldivenlerinizi hareketli parçalardan uzak tutun.** Bol giysiler, takılar veya uzun saçlar aletin hareketli parçalarına takılabilir.
- **Toz toplayıcı cihaz bağlantıları ve toplama tesisleri olması durumunda, bu bağlantıların düzgün yapılmış ve kullanılıyor olduğundan emin olun.** Toz tutucu cihazların kullanımı tozdan kaynaklanabilecek tehlikeleri azaltabilir.
- **Aletlerin sık kullanılmasından kaynaklanan aşınalığın sizin boş vermenize ve aletin güvenlik prensiplerini görmezden gelmenize neden olmasına izin vermeyin.** Dikkatsiz bir hareket, saniyenin binde birindeki bir sürede ağır yaralanmalara neden olabilir

ELEKTRİKLİ ALET KULLANIMI VE BAKIMI

- **Elektrikli aleti zorlamayın. Yaptığınız işe uygun elektrikli aleti kullanın.** Doğru elektrikli alet, tasarımına uygun değerlerde kullanıldığında daha iyi ve daha güvenli çalışacaktır.
- **Açma kapama düğmesi çalışmıyorsa elektrikli aleti kullanmayın.** Açma kapama düğmesi ile kontrol edilemeyen bir elektrikli alet tehlikelidir ve onarılması gerekir.
- **Herhangi bir ayar işlemi, aksesuar değişimi veya elektrikli aletlerin saklanması öncesinde fişi prizden çekin ve/veya aküyü elektrikli aletten çıkarın.** Bu tür önleyici güvenlik önlemleri, elektrikli aletin yanlışlıkla çalışma riskini azaltacaktır.
- **Çalıştırılmayan elektrikli aletleri çocuklardan uzak tutun ve elektrikli aletin kullanımına veya bu talimatlara aşına olmayan kimselerin elektrikli aleti çalıştırmalarına izin vermeyin.** Elektrikli aletler eğitimsiz kullanıcıların elinde tehlikelidir.
- **Elektrikli aletlere ve aksesuarlara bakım yapın.** Hareketli parçaların kusursuz olarak işlev görüp görmediğini veya sıkışıp sıkışmadığını, parçaların hasarlı olup olmadığını ve elektrikli aletin çalışmasını etkileyebilecek diğer tüm koşulları kontrol edin. Elektrikli alet hasarlı ise, kullanmadan önce onarılmasını sağlayın. Kazaların çoğu, elektrikli alet bakımının yeterli şekilde yapılmamasından kaynaklanır.
- **Kesici aletleri keskin ve temiz tutun.** Keskin kesim kenarlarına sahip, bakımı yapılmış kesim aletleri daha az sorun çıkarır ve kontrolü kolaydır.
- **Elektrikli aleti, aksesuarlarını ve alet uçlarını vb. çalışma şartlarını ve yapılacak işi dikkate alarak bu talimatlara uygun şekilde kullanın.** Elektrikli aletin kullanım amacı dışındaki işlerde kullanılması tehlikeli durumlara neden olabilir.

- **Tutma saplarını ve kavrama yüzeylerini kuru, temiz, benzin ve yağdan uzak tutun.** Kaygan saplar ve kavrama yüzeyleri, güvenli olmayan kullanımı ve/veya aletin kontrolünün kaybına yol açabilir.

AKÜYLE ÇALIŞAN ALETLERİNİN KULLANIMI VE BAKIMI

- **Sadece üretici tarafından belirtilen şarj cihazı ile şarj edin.** Bir akü için uygun olan şarj cihazı, başka bir akü ile kullanıldığında yangın riski oluşturabilir.
- **Elektrikli aletleri sadece özel olarak üretilmiş akülerle kullanın.** Başka akünün kullanımı yaralanma ve yangın tehlikesi oluşturabilir.
- **Akünün kullanımda olmadığı durumlarda aküyü ataş, bozuk para, anahtar, çivi, vida veya akü kutupları arasında kısa devre yapabilecek diğer metal nesnelere uzak tutun.** Akü kutuplarının kısa devre edilmesi yangın veya yanıklara neden olabilir.
- **Kötü şartlar altında aküden sıvı akışı olabilir; sıvı ile temas etmekten kaçının. Yanlışlıkla temas edilirse, etkilenen bölgeyi su ile yıkayın. Sıvı göze temas ederse, ayrıca tıbbi yardım alın.** Aküden akan sıvı tahriş veya yanıklara neden olabilir.
- **Aküyü veya aleti hasarlı veya üzerinde değişiklik yapılmış şekilde kullanmayın.** Hasarlı veya üzerinde değişiklik yapılmış aküler yangın, patlama veya yaralanma riskine neden olacak şekilde beklenmeyen davranışlar gösterebilir.
- **Aküyü veya aleti ateşe veya aşırı sıcaklıklara maruz bırakmayın.** Ateşe veya 130°C'nin üzerindeki sıcaklıklara maruz kalması patlamaya neden olabilir.
- **Tüm şarj talimatlarına uyun ve akü veya aleti talimatlarda belirtilen sıcaklık aralığının dışındaki sıcaklıklarda şarj etmeyin.** Hatalı veya belirtilen sıcaklık aralığının dışındaki sıcaklıklarda şarj etmek, aküye zarar verebilir ve yangın riskini artırır.

SERVİS

- **Elektrikli aletinizin bakımını, sadece orijinal yedek parça kullanan uzman bir tamirciye yaptırın.** Bu, elektrikli aletin emniyetinin korunmasını sağlayacaktır.
- **Asla hasarlı akülere bakım-onarım yapmayın.** Akülerin bakımı sadece üretici veya yetkili servisler tarafından yapılmalıdır.

KABLOSUZ ÇİM BİÇME MAKİNESİ İÇİN GÜVENLİK KURALLARI

- ▲ **TEHLİKE:** Bu makine, bu kılavuzda yer alan güvenli çalışma kurallarına uygun olarak çalıştırılmak üzere tasarlanmıştır. Tüm elektrikli cihazlarda olduğu gibi, operatörün dikkatsizliği veya herhangi bir hatası ciddi

yaralanmaya yol açabilir. Bu makine ellerinizi ve ayaklarınızı yaralayabilir ve nesnelere fırlatıp atabilir. Tüm güvenlik talimatlarına uyulmaması ciddi yaralanmalara veya ölüme yol açabilir.

⚠ UYARI: Kablosuz çim biçme makinesini kullanırken yangın, elektrik çarpması ve kişisel yaralanma riskini azaltmak için daima temel güvenlik önlemleri alınmalıdır.

ÖNEMLİ

**KULLANMADAN ÖNCE DİKKATLE OKUYUN.
GELECEKTE BAŞVURU AMACIYLA SAKLAYIN.**

KABLOSUZ ÇİM BİÇME MAKİNELERİ İÇİN GÜVENLİK KURALLARI:

DİKKAT-DÖNER BİÇAĞA DOKUNMAYIN!

EĞİTİM

- Talimatları dikkatle okuyun. Cihazın denetimlerine ve uygun kullanımına aşına olun.
- Kullanım talimatları hakkında yeterli bilgiye sahip olmayan kişilerin veya çocukların cihazı kullanmasına asla izin vermeyin. Yerel yönetmelikler kullanıcının yaşını kısıtlayabilir.
- Yakınızdaki başkaları, özellikle de çocuklar veya evcil hayvanlar varken asla çim biçmeyin.
- Operatör veya kullanıcı, diğer kişilerin ya da diğer kişilere ait eşyaların başına gelebilecek yaralanma veya hasarlardan sorumludur.

HAZIRLIK

- Çim biçerken her zaman dayanıklı ayakkabı ve uzun pantolon giyin.
- Makineyi çıplak ayakla veya açık sandaletler giyerek kullanmayın. Bol veya sarkan ipleri veya bağcıkları bulunan giysiler giymekten kaçının.
- Makinenin kullanılacağı alanı kontrol edin, tüm taş, sopa, kablo, kemik ve diğer yabancı cisimleri kaldırın.
- Kullanmadan önce bıçakların, bıçak civatalarının ve kesme modüllerinin aşınıp aşınmadıklarını veya hasar görüp görmediklerini görsel olarak kontrol edin. Dengeyi korumak için, aşınmış veya hasar görmüş bıçaklarla bıçak civatalarını set olarak değiştirin. Hasar görmüş veya okunmayan etiketleri değiştirin.

ÇALIŞTIRMA

- Sadece gün ışığında veya iyi aydınlatılmış yerlerde biçin.
- Makineyi mümkün olduğu kadar ıslak çim üzerinde kullanmaktan kaçınin.
- Eğimli alanlarda bastığınız yerlerin sağlam olduğundan emin olun.

- Yürüyün, asla koşmayın.
- Tekerlekli dönerek çalışan çim biçme makineleri ile çalışırken; eğimli yüzeyin enine doğru çim biçin, asla yukarı aşağı yönde biçmeyin;
- Eğimli yerlerde yön değiştirirken son derece dikkatli olun.
- Çok dik eğimli yerlerde çim biçmeyin.
- Geriye giderken veya makineyi kendinize doğru çekerken çok dikkatli olun.
- Makineyi çim olmayan bir alandan geçirmek için yatırıp çekerken ve çim biçilecek alana getirip götürürken bıçağı/bıçakları durdurun.
- Makineyi asla hasarlı koruyucu donanım veya güvenlik parçaları ile veya deflektör, çim toplama haznesi vb. güvenlik cihazları takılı olmadan kullanmayın.
- Motoru talimatlara uygun biçimde ve ayaklar bıçaktan/bıçaklardan yeterli kadar uzak olduğu halde çalıştırın.
- Çalışması için yana yatırılması gereken durumlar hariç, motoru çalıştırırken makineyi yana yatırmayın. Ürünün yana yatırılması gerekirse, yatırma işlemini sadece gerektiği kadar ve operatöre uzak olan tarafından yapın. Makineyi tekrar zemin üzerine yerleştirmeden önce her iki elinizin de çalıştırma konumunda olduğundan emin olun. Boşaltma ağzının önünde dururken makineyi çalıştırmayın.
- Ellerinizi veya ayaklarınızı hareketli parçaların yakınına veya altına yerleştirmeyin. Döner tip biçme makinelerinde, boşaltma ağzından daima uzak durun.
- Motor çalışır durumda iken makineyi asla havaya kaldırmayın veya taşımayın.
- Ayar veya temizlik işlemi öncesinde gücü kapatın ve sökülebilir aküyü (veya emniyet aygıtını) çıkarın ve tüm hareketli parçaların tam olarak durduğundan emin olun:
 - Makinenin yanından ayrıldığınızda;
 - Tıkanıklıkları temizlerken veya oluktaki tıkanıklığı giderirken;
 - Makineyi kontrol etmeden, temizlemeden veya üzerinde bir çalışma yürütmeden önce;
 - Yabancı bir cisme çarptıktan sonra. Makinede hasar olup olmadığını kontrol edin ve gerekli onarımları yapın.
- Makine anormal biçimde titremeye başlarsa (derhal kontrol edin):
 - Hasar olup olmadığını kontrol edin;
 - Hasarlı parça varsa değiştirin veya onarın;
 - Gevşek parça varsa sıkın.

BAKIM VE SAKLAMA

- Ayar yaparken, makinenin hareketli bıçakları ile sabit parçaları arasına parmaklarınızı kaptırmamaya dikkat edin.

TR

- Cihazın güvenli biçimde çalışması için tüm somun, civata ve vidaların sıkı olduğundan emin olun.
- Çim topplayıcıyı sık sık aşınma veya bozulmaya karşı kontrol edin.
- Güvenliğiniz için, aşınmış veya hasarlı parçaları değiştirin.
- Temizlik ve bakım işlemleri gözetim altında olmayan çocuklar tarafından yapılmamalıdır.
- Bıçaklara bakım yaparken güç kaynağı kapalı olsa bile halen hareket edebileceklerini unutmayın.
- Döner çim biçme makineleri için, sadece doğru tipte yedek kesme araçlarının kullanıldığından emin olun.

KİŞİSEL GÜVENLİK

Operatör çocukların bulunduğu ortamlarda dikkatli olmazsa, trajik kazalar meydana gelebilir. Çocuklar sıklıkla çim biçme makinesi ve çim biçme faaliyetini ilgi çekici bulurlar. Tehlikeleri anlayamazlar. Asla çocukları en son bıraktığınız yerde bulacağınızı zannetmeyin.

- Çocukları çim biçme alanından uzak ve operatör dışındaki sorumlu bir yetişkinin gözetimi altında tutun.
- Çim biçme alanına bir çocuk girerse, dikkatli olun ve çim biçme makinesinin gücünü kapatın.
- Kuytu köşelere, kapı boşluklarına, çallara, ağaçlara veya makineye doğru gelebilecek bir çocuğu görmeyenize engel olabilecek diğer cisimlere yaklaşırken daha dikkatli olun.
- Çocuklar, makineyle oynamaları için gözetim altında tutulmalıdır.
- Aküyü aletten çıkarırken daima çim biçme makinesinin gücünü kapatın. Makineyi çim olmayan bir alandan geçirmek için yatırıp çekerken ve çim biçilecek alana getirip götürürken bıçağı/bıçakları durdurun.

ÇALIŞTIRMA

GENEL ÇALIŞMA:

- Bu makineyi monte etmeye başlamadan önce bu kullanım kılavuzunun tamamını dikkatle okuyun. Makineyi çalıştırmadan önce, makineye ilişkin tüm talimatları okuyup anlayın ve bu talimatlara uyun. Bu makineyi kullanmadan önce, denetimlerine ve kontrollerine aşına olun. Bu kullanım kılavuzunu gelecekte başvuru ve yedek parça siparişi amacıyla güvenli bir yerde muhafaza edin.
- Doğru cihazı kullanın - Çim biçme makinesini kullanım amacı dışında herhangi bir amaçla kullanmayın.
- Dengesiz bir duruşla çalışma yapmayın - Çalışma süresince ayaklarınızı sağlam basın ve dengенizi koruyun.
- Biçici bıçağının çarptığı nesnelere ciddi kişisel yaralanmalara yol açabilir. Her çim biçme işleminden önce, çimler dikkatle incelenmeli ve tüm cisimlerden temizlenmelidir.

- Geriye doğru gitmeden önce ve giderken, küçük çocuklar ve diğer insanlar olup olmadığını görmek için arkanıza ve aşağıya bakın.
- Bu makine bir oyuncak değildir. Bu nedenle, daima son derece dikkatli olun. Makineniz tek bir işi gerçekleştirmek için tasarlanmıştır: çim biçmek. Başka amaçla kullanmayın.
- Çim biçme makinesini zorlamayın tasarımına uygun hızda kullanılırsa daha iyi ve daha güvenli iş görür.
- Kullanmadan önce bıçakların, bıçak civatalarının ve kesme modüllerinin aşınıp aşınmadıklarını veya hasar görüp görmediklerini görsel olarak kontrol edin. Dengeyi korumak için, aşınmış veya hasar görmüş bıçaklarla bıçak civatalarını ve diğer parçaları aynı anda değiştirin. Hasar görmüş veya okunmayan etiketleri değiştirin.
- Geriye giderken veya makineyi kendinize doğru çekerken çok dikkatli olun.
- Makinenin kullanılacağı alanı dikkatlice kontrol edin. Üzerine takılabilecek veya bıçak tarafından fırlatılabilecek taş, sopa, tel, oyuncak vb. tüm yabancı cisimleri temizleyin. Fırlatılan nesnelere ciddi kişisel yaralanmalara yol açabilir. Biçilen çimlere yollara, kaldırımlara, kenarda duran kişilere vb. doğru boşaltmamak için çim biçme şeklinizi planlayın. Biçilen çimleri duvara veya engellere doğru fırlatmaktan kaçının, aksi takdirde sekerek kullanıcıya geri dönebilir.
- Bıçakla temas veya fırlatılan cisimler nedeniyle yaralanmaları önlemek için, çalışma sırasında tutma saplarının ardındaki operatör bölgesinde kalın ve çocukları, üçüncü şahısları, yardımcıları ve evcil hayvanları çim biçme makinesinden en az 30 metre uzaktaki tutun. Çalışma alanına herhangi biri girerse makineyi durdurun.
- Çalışma sırasında ve bir ayar veya onarım işlemi gerçekleştirirken gözlerinizi korumak için daima göz koruması veya koruyucu gözlük kullanın. Fırlayan nesnelere sekebilir ve ciddi göz yaralanmalarına neden olabilir. Çalışma ortamı tozluysa, mutlaka yüz veya toz maskesi takın.
- Uygun bir şekilde giyin - Bol giysiler giymeyin veya takı takmayın. Hareketli parçalara takılabilir. Açık havada çalışırken kauçuk eldiven ve ayakkabı giyilmesi önerilir. Dayanıklı ve sağlam tabanlı iş ayakkabıları ve sıkı oturan pantolon ve gömlek giyin. Kolları ve bacakları örten gömlek ve pantolon ile çelik burunlu ayakkabı kullanımı önerilir. Bu makineyi asla çıplak ayakla, sandalet, kaygan veya ince (örn. bez) ayakkabı giyerek kullanmayın.
- Ellerinizi veya ayaklarınızı döner parçaların yakınına veya kesim bölgesinin altına yerleştirmeyin. Bıçak ile temas edilmesi ellerin ve ayakların yaralanmasına yol açabilir.

- Eksik veya hasarlı boşaltma kapağı, bıçağa temas edilmesine veya fırlatılan cisimler nedeniyle yaralanmalara yol açabilir.
- Kayma veya takılıp düşme sırasında çim biçme makinesinin ayağın üzerinden geçmesi sonucu bir çok yaralanma meydana gelmektedir. Düşmeniz halinde çim biçme makinesini tutmaya çalışmayın, tutma sapını derhal bırakın.
- Asla yürürken çim biçme makinesini kendinize doğru çekmeyin. Makineyi bir duvar veya engelden uzaklaştırmak için geriye çekmeniz gerekiyorsa, öncelikle takılmamak için aşağıya ve arkanıza bakın ve ardından aşağıdaki adımları izleyin:
 - Çim biçme makinesinden geriye doğru adım atarak kollarınızı gergin duruma getirin.
 - Dengelediğinizden ve bastığınız yerlerin sağlam olduğundan emin olun.
 - Çim biçme makinesini, makine ile aranızdaki mesafenin yarısından fazla olmamak şartıyla yavaşça kendinize doğru çekin.
 - Gerekliğinde bu adımları tekrarlayın.
- Alkol veya uyuşturucu etkisi altındayken çim biçme makinesini kullanmayın.
- Daima tetikte olun ve ne yaptığınıza dikkat edin. Sağduyulu olun. Çim biçme makinesini yorgunken kullanmayın.
- Motor/bıçak denetim kolu bir güvenlik cihazıdır. Asla bu düzeneğin kullanımını bypass etmeyin. Böyle yapılması güvenlik cihazını kullanılmaz hale getirir ve döner bıçakla temas sonucu kişisel yaralanmaya neden olabilir. Motor/bıçak denetim kolu her iki yönde kolayca çalışmalı ve bırakıldığında otomatik olarak devre dışı konuma döner.
- Tehlikeli ortamlardan uzak durun – Çim biçme makinesini rutubetli veya ıslak ortamlarda kullanmayın.
- Yağmur altında kullanmayın.
- Bastığınız yerlerin sağlam olduğundan emin olun. Kayma ve düşmeler ciddi kişisel yaralanmalara neden olabilir. Dengenizi kaybettiğinizi hissederseniz, derhal motor/bıçak denetim kolunu serbest bırakın, üç saniye içinde bıçağın dönmesi durur.
- Çakıl araba yolları, yürüyüş yolları veya yollardan geçerken bıçağı durdurun.
- Cihaz anormal şekilde titremeye başlarsa, motoru derhal durdurun ve nedenini kontrol edin. Titreşim genellikle bir sorun olduğunu gösterir.
 - Hasar olup olmadığını kontrol edin;
 - Kullanıcı tarafından değiştirilebilir hasarlı parça varsa değiştirin veya onarın;

- Gevşemiş parçaları kontrol edin ve sıkın.
- Çim biçme makinesini uygun arka siper, boşaltma kapağı, çim torbası, malçlama parçası, yan boşaltma oluğu, motor/bıçak denetim kolu veya diğer güvenlik cihazları takılı ve çalışır durumda olmadan asla kullanmayın. Çim biçme makinesini hasarlı güvenlik cihazları ile asla kullanmayın. Aksi takdirde, kişisel yaralanmalar meydana gelebilir.
- Bu kılavuzda yer almayan durumlar meydana gelirse, dikkatli ve sağduyulu davranın. Yardım için EGO Müşteri Hizmetleri Merkeziyle irtibata geçin.
- Atılmadan önce akü cihazdan çıkarılmalıdır.
- Akü güvenli bir şekilde imha edilmelidir.

EĞİMLİ ARAZİDE KULLANIM:

Eğimli araziler ciddi yaralanmalara yol açabilen kayma ve düşme kazaları ile ilgili önemli bir faktördür. Eğimli alanlarda bastığınız yerlerin sağlam olduğundan emin olun. Eğimli arazilerde çalışma son derece dikkatli olmayı gerektirir. Eğimli bir arazide kendinizi rahatsız hissediyorsanız, çim biçmeyin.

Yapılması gerekenler:



- Eğimli yüzeylerin enine doğru biçin, asla yukarı ve aşağı yönde çim biçmeyin. Eğimli yerlerde yön değiştirirken son derece dikkatli olun.
- Kaymanıza veya takılıp düşmenize neden olabilecek çukurlara, tekerlek izlerine, kaya parçalarına, gizli cisimlere veya tümseklerle dikkat edin. Uzun çimler engelleri gizleyebilir.

Yapılmaması gerekenler:

- Yamaçların, çukurların veya dolu alanların yakınında çim biçmeyin; dengeyi kaybedebilirsiniz.
- 15 dereceden daha büyük eğimli arazilerde çim biçmeyin.
- Islak çimler biçmeyin. Dengesiz bir duruş kaymaya neden olabilir.

SERVİS

⚠ UYARI: Çim torbası parçaları, boşaltma kapağı, yan boşaltma oluğu, malçlama parçası ve arka siper aşınabilir ve zarar görebilir, bu durum hareketli parçalara maruz kalmaya veya cisimlerin fırlatılmasına yol açabilir ve yaralanma riskini artırabilir. Güvenlik koruması için, tüm bileşenleri sık sık kontrol edin ve hasarlı bileşenleri derhal bu kılavuzda listelenen birebir aynı yedek parçalarla değiştirin. EGO Müşteri Hizmetleri veya en yakın EGO servis merkezi ile irtibata geçin, onarım ve değişim işlemlerini sadece yetkili bir servis teknisyenine yaptırın!

- Çim biçme makinesinin dahili aşırı yük koruma anahtarı sık sık atıyorsa, EGO Müşteri Hizmetleri veya en yakın EGO servis merkezi ile irtibata geçin.
 - Çim biçme makinesini hortumla yıkamayın; motor ve elektrik bağlantılarına su kaçırılmamaya dikkat edin.
 - Kullanılmadığı zamanlarda anahtarı çıkarın ve boştaki çim biçme makinesini kapalı alanda saklayın. Herhangi bir muhafaza içinde saklamadan önce motorun soğumasını bekleyin. Çim biçme makinesi çocukların erişemeyeceği kuru, yüksek veya kilimli bir muhafaza içerisinde saklanmalıdır.
 - Bakım ve onarım sırasında sadece bu kılavuzda listelenen birebir aynı yedek parçaları kullanın. Orijinal ekipman özelliklerini karşılamayan parçaların kullanılması hatalı performansa ve güvenlik zafiyetine yol açabilir.
 - Servis, temizlik veya çim biçme makinesinden malzeme çıkarmadan önce aküyü çıkarın veya bağlantısını kesin.
 - Aksesuar değişimi için verilen talimatlara uyun.
 - Tutma saplarını kuru, temiz, benzin ve yağdan uzak tutun.
 - Yangın tehlikesini azaltmak için, motor kapağında çim, yaprak ve artıkların birikmesini önleyin.
 - Bıçak ve motor montaj civatalarının tam sıklıkla olduklarını sık sık kontrol edin. Ayrıca, bıçağın hasarlı (ör. eğik, çatlak ve aşınmış) olup olmadığını görsel olarak kontrol edin. Bıçağı sadece bu kılavuzda listelenen birebir aynı yedek bıçak ile değiştirin.
 - Çim biçme makinesinin bakımını dikkatli bir şekilde yapın – en iyi ve en güvenli performans için çim biçme makinesinin bıçağını keskin ve temiz tutun. Çim biçme makinesi bıçakları keskindir ve kesiklere yol açabilir. Bıçağa bakım ve onarım yaparken bıçağı sarın ya da eldiven takın ve çok dikkatli olun.
 - Asla güvenlik cihazlarını sökmeyin veya üzerinde değişiklik yapmayın. Düzenli olarak düzgün çalıştıklarını kontrol edin. Asla bir güvenlik cihazının kullanım amacını engelleyecek veya güvenlik cihazı tarafından sağlanan korumayı azaltacak herhangi bir eylem gerçekleştirilmeyin.
 - Bir tekerleğe ayar yapmadan veya kesim yükseklik ayarı yapmadan önce daima motoru durdurun.
 - Yabancı bir cisim fırlatılması halinde, motoru durdurun, anahtarı çıkarın ve çim biçme makinesini herhangi bir hasara karşı dikkatle kontrol edin. Çim biçme makinesini yeniden çalıştırmadan önce hasarı giderin.
 - Gerektiğinde, güvenlik ve talimat etiketlerine bakım yapın veya etiketleri değiştirin. EGO Müşteri Hizmetleri veya en yakın EGO servis merkezi ile irtibata geçin, onarım ve değişim işlemlerini sadece yetkili bir servis teknisyenine yaptırın!
 - **BU TALİMATLARI SAKLAYIN.** Talimatlara sık sık müracaat edin ve bu aleti kullanacak diğer kişileri bilgilendirmek için kullanın. Bu aleti başka birine ödünç verirsiniz, ürünün yanlış kullanılmasını ve olası yaralanmayı önlemek için bu talimatları da ürünle birlikte verin.
- ### AKÜ KULLANIMI VE BAKIMI
- Doğal kaynakları korumak için, lütfen akülerin geri dönüşümünü veya uygun bir şekilde imha edilmesini sağlayın. Bu ürün lityum-iyon akü içermektedir. Yerel veya ulusal kanunlar lityum-iyon akülerin normal atıklarla birlikte atılmasını yasaklar. Mevcut geri dönüşüm ve/veya imha seçenekleri hakkında bilgi almak için yerel atık yetkililerine danışın.
 - Akü imha edilmek üzere veya geri dönüşüm için çıkarıldıktan sonra, akünün terminalerini dayanıklı yapışkan bant ile kaplayın. Aküyü tahrip etmeyin, içini açmayın veya parçalarına ayırmayın. Lityum-iyon akülerin geri dönüşümü sağlanmalı veya uygun bir şekilde imha edilmelidir. Ayrıca, asla terminallere metal nesnelere ve/veya vücut azalarınızla dokunmayın, kısa devre yapabilir. Çocuklardan uzak tutun. Bu uyarılara uyulmaması yangına ve/veya ciddi yaralanmalara yol açabilir.
 - **KÖTÜ ŞARTLAR ALTINDA AKÜDEN SIVI AKIŞI OLABİLİR; SIVI İLE TEMAS ETMEKTEN KAÇININ. YANLIŞLIKLARLA TEMAS EDİLİRSE, ETKİLENEN BÖLGEYİ SU İLE YIKAYIN. SIVI GÖZE TEMAS EDERSE, AYRICA TIBBİ YARDIM ALIN. AKÜDEN AKAN SIVI TAHRİŞ VEYA YANIKLARA NEDEN OLABİLİR.**
- ### ΠΡΟΔΙΑΓΡΑΦΕΣ
- | Model No | LM2020E | LM2020E-SP |
|-----------------------------------|--|--|
| Kendiliğinden Çalışma Sistemi | Hayır | Evet |
| Voltaaj | 56 V  | 56 V  |
| Yüksüz Hız | 3000 /min | 3000 /min |
| Kesim Yüksekliği | 25-95 mm | 25-95 mm |
| Tavsiye Edilen Çalışma Sıcaklığı: | 0°C-40°C | 0°C-40°C |

Tavsiye Edilen Depolama Sıcaklığı:	-20°C-70°C	-20°C-70°C	
Kesim Yüksekliği Konumları	6	6	
Taban Boyutu	51 cm	51 cm	
Kesim Genişliği	50 cm	50 cm	
Çim Torbası Hacmi	60 L	60 L	
Çim Biçme Makinesi Ağırlığı (pil paketi hariç, malçlama parçası)	24,4 kg	27,2 kg	
Bıçak Modeli	AB2001	AB2001	
Ölçülen ses güç düzeyi L_{WA}	91,5 dB(A) K=1,80 dB(A)	91,0 dB(A) K=1,89 dB(A)	
Operatörün duyduğu ses güç düzeyi L_{PA} K=3 dB(A)	79,5 dB(A)	79,2 dB(A)	
Garanti edilen ses güç düzeyi L_{WA} (2000/14/EC uyarınca ölçülmüş)	93 dB(A)	93 dB(A)	
Titreşim a_h K=1,5 m/s ²	Sol Tutma Sapı	≤ 2,5 m/s ²	≤ 2,5 m/s ²
	Sağ Tutma Sapı	≤ 2,5 m/s ²	≤ 2,5 m/s ²
Bıçak freni	Evet	Evet	

- Bildirilen toplam titreşim değeri standart test yöntemine uygun olarak ölçülmüştür ve bir cihazı diğer bir cihaz ile karşılaştırmak için kullanılabilir.
- Bildirilen toplam titreşim değeri ayrıca ön maruz kalma değerlendirmesinde de kullanılabilir.

UYARI: Elektrikli aletin gerçek kullanımı sırasında meydana gelen titreşim emisyonu aletin kullanım şekline bağlı olarak bildirilen değerden farklı olabilir; Operatörü korumak için, kullanıcı gerçek kullanım koşullarında eldiven ve kulak koruması takmalıdır.

AMBALAJ LİSTESİ

PARÇA ADI	MİKTAR
Çim biçme makinesi	1
Çim torbası	1
Çim torbası çerçevesi	1
Malçlama parçası	1
Güvenlik anahtarı	1
Kullanma kılavuzu	1

AÇIKLAMA

ÇİT BUDAMA MAKİNENİZİ TANIYIN

(Şek. A & B & C & D & E)

- 1 Askılı anahtar (Anahtar Kolu)
- 2 Tutma sap
- 3 Emniyet Düğmesi
- 4 Kendiliğinden çalışan tetik
- 5 Tutma Kolu Kilit Mandalı
- 6 Çim Torbası
- 7 Kesim Yüksekliği Ayar Kolu
- 8 Arka Tekerlek
- 9 Yan Boşaltım Oluğu
- 10 Çim Biçme Makinesi Tabanı
- 11 LED lambalar
- 12 Üst Kapak
- 13 Ön Tekerlek
- 14 Pili Paketi Kapağı
- 15 Arka Tutma Sapı
- 16 Hızlı Ayar Kolu
- 17 Arka Boşaltım Kapağı
- 18 Yan Korkuluk Rayı
- 19 Kendiliğinden çalışan Hız kontrol kolu
- 20 Arka Siper
- 21 LED Çalışma Işıkları için Açma-Kapama Düğmesi
- 22 Güç Göstergesi
- 23 Akü Çıkarma Düğmesi
- 24 Güvenlik Anahtarı Yuvası
- 25 Malçlama Parçası
- 26 Yan Boşaltım Oluğu

ÇALIŞTIRMA

ÇİM TORBASININ TAKILMASI

- 1) Çim torbasını çerçeveye geçirin (Şek. F).
- 2) Üst klipsleri çerçeveye monte edin (Şek. G), ardından iki taraflı klipsleri monte edin. En son alt klipsi monte edin.
- 3) Tamamen monte edilmiş durumdaki çim torbası Şek. H'de gösterilmiştir.

KATLANIR TUTMA SAPININ AYARLANMASI

⚠ UYARI: Tutma sapı iki önyararlı çalışma konumundan (ÜST ÇALIŞMA KONUMU veya ALT ÇALIŞMA KONUMU) birinde kilitleninceye kadar çim biçme makinesini çalıştırmayın.

TR

Çim biçme makinesinin tutma sapı tek parça, KİLİTLİ SAKLAMA KONUMU'nda gönderilir (Şek. I).

- 1) Tutma sapını KİLİTLİ SAKLAMA KONUMU'ndan çıkarmak için hızlı ayar kolunu basılı tutun.
- 2) Tutma sapını kaldırarak katlanmış konumdan çıkarın, ardından kolu bırakın. Tutma sapını, kilit piminin Şek. H'da gösterildiği gibi farklı konumlardan birine geçtiğini duyuana ve hissedene kadar yukarı doğru döndürün. Şek. J parça açıklaması aşağıdaki gibidir:

J-1	Kilitli Saklama Pozisyonu
J-2	Çim Torbası Aksesuarı/Çıkarma Pozisyonu
J-3	Üst Çalışma Pozisyonu
J-4	Orta Çalışma Pozisyonu
J-5	Alt Çalışma Pozisyonu

ÇİM TORBASINI / MALÇLAMA PARÇASINI TAKMA/ ÇIKARMA

UYARI: Motoru durdurmadan, güvenlik anahtarını çıkarmadan ve bıçağın durmasını beklemeden çim biçme makinesi üzerinde herhangi bir ayar işlemi yapmayın.

UYARI: Çim biçme makinesinin bu parçalarını çim biçmeye başlamadan önce takın.

■ Çim Torbasının Takılması/Çıkarılması (Şek. K)

Tutma sapını uygun çalışma konumuna ayarlayın. Arka boşaltma kapısını kaldırın ve çim torbasını pivot çubuk üzerine takın. Çıkarmak için, sadece çim torbasını yukarı pivot çubuğun üzerinden kaldırın. Son olarak, arka boşaltım kapısını serbest bırakın.

UYARI: Çim torbasını takmadan önce çim biçme makinesine takılı olan malçlama parçasını çıkarın.

■ Malçlama Parçasının Takılması/Çıkarılması (Şek. L)

Arka-boşaltma kapağını kaldırın ve malçlama aksesuarını çim biçme makinesine takın. Kaldırmak için, sadece çekin. Son olarak, arka boşaltım kapısını serbest bırakın.

■ Malçlama Parçasının Takılması/Çıkarılması (Şek. M)

Yan boşaltım kapısını kaldırın. Boşaltma oluğu yuvasını boşaltım kapısının topuzu ile hizalayın ve yan boşaltma kapısını yavaşça pivot çubuğu etrafında boşaltım yuvasını sıkıca oturana kadar döndürün. Çıkarmak için yan boşaltım kapısını kaldırın, yan boşaltım yuvasını yukarı, kapının montaj topuzundan kaldırın.

Şek. M parça açıklaması aşağıdaki gibidir:

M-1	Yan tahliye kapısı
M-2	Montaj Topuzu
M-3	Montaj Yuvası
M-4	Yan boşaltma oluğu
M-5	Pivot

DİKKAT: Malçlama eki yan boşaltma oluğu takılı iken monte edilmek zorundadır.

KESİM YÜKSEKLİĞİNİ AYARLAMA (Şek. N)

UYARI: Yükseklik ayarı yapılırken ayaklarınızı tabandan uzak tutun. Çim biçme makinesi, 25mm ile 95mm arasındaki 5 kesim yüksekliğinden birine ayarlanabilir. Çimin türüne ve durumuna göre uygun kesim yüksekliğini seçin.

UYARI: Aleti taşıırken, kesim yüksekliğinin konum 3 veya daha yüksekçe ayarlanmış olduğundan emin olun. Böyle yapılmaması bıçak hasarına yol açabilir.

PİL PAKETİNİN TAKILMASI/ÇIKARILMASI (Şek. O)

Sadece şek. A'da listelenen pil paketi ve şarj cihazlarını kullanın.

İlk kullanımdan önce şarj edin.

UYARI: Herhangi bir arızalı veya eksik parça varsa, arızalı veya eksik parçalar takılana/değiştirilene kadar pil paketini takmayın veya çim biçme makinesini çalıştırmayın. Aksi takdirde, ciddi yaralanmalar meydana gelebilir.

■ Takmak için

"Klik" sesi duyuana kadar pil paketini pil yuvasına itin. πιέστε τη συστοιχία μπαταριών, έως ότου ακούσετε ένα «κλικ».

■ Çıkarmak için

Pil yuvasındaki pil çıkarma düğmesine basın.

Şek. O parça açıklaması aşağıdaki gibidir:

O-1	Güvenlik Anahtarları Yuvası
O-2	Güvenlik Anahtarları
O-3	Pil çıkarma düğmesi

UYARI: Kullanmaya başlamadan önce çim biçme makinesi üzerindeki mandalın kilitlenmiş olduğundan ve pil takımının makineye sağlam bir şekilde takıldığından emin olun.

ÇİM BİÇME MAKİNESİNİ ÇALIŞTIRMA/DURDURMA

UYARI: Bir çim biçme makinesinin kullanımı yabancı nesnelerin gözlerinize fırlatılması sonucunu doğurabilir, bu da gözlerde ciddi hasara yol açabilir. Çim biçme makinesini kullanırken ve bir ayar veya onarım işlemi gerçekleştirirken daima göz koruması veya koruyucu gözlük kullanın.

⚠ UYARI: Çim biçme makinesi kullanılırken diğer insanların ve evcil hayvanların en az 30 m uzakta olduklarından emin olun.

⚠ UYARI: Çim biçme makinesi kapatıldıktan sonra bıçak birkaç saniye daha dönmeye devam eder. Yeniden çalıştırmadan önce motorun/bıçağın dönmemesinin durmasını bekleyin. Çim biçme makinesini hızlı bir şekilde açıp kapatmayın.

GÜVENLİK ANAHTARI

Kablosuz çim biçme makinesinin kazara çalıştırılmasını veya yetkisiz kişilerce kullanılmasını önlemek için, çıkarılabilir bir güvenlik anahtarı çim biçme makinesinin tasarımına dahil edilmiştir. Güvenlik anahtarı çıkarıldığında, çim biçme makinesi tamamen devre dışı kalacaktır.

⚠ UYARI: Dönen bıçaklar ciddi yaralanmalara yol açabilir. Ciddi yaralanmaları önlemek için, çim biçme makinesi gözetimsiz bırakıldığında veya ayar, temizlik, servis, taşıma, kaldırma veya depolama işlemleri yapılırken güvenlik anahtarını çıkarın.

NOT: Aşağıdaki durumlar söz konusu olmadıkça motor başlatılamaz:

- Tutma sapı üç çalışma konumundan birine kilitlenir, bkz. KATLANIR TUTMA SAPININ AYARLANMASI.
- Yan korkuluk rayları tamamen açılmış durumda (Şek. P).
- Her iki yeşil tutma sapı kilitleme klipsi sağlam biçimde kapatılmış (Şek. Q).

Q-1 Gösterge hattı

⚠ DİKKAT: Emniyet düğmesinin ve askılı anahtarın çalışmasını geçersiz kılmaya çalışmayın.

Başlatmak için

- 1) Pil paketini çim biçme makinesine takın, güvenlik anahtarını yuvasına yerleştirin ve pil kapağını kapatın (Şek. O).
- 2) Şek. R'ya göre güvenlik anahtarını aşağı bastırın.
- 3) Güvenlik anahtarını basılı tutarak, askılı anahtar tutma sapına doğru yukarı çekin ve güvenlik anahtarını bırakın.

Durdurmak için

- 1) Askılı anahtar tamamen bırakın.
- 2) Otomatik Fren Mekanizmasındaki elektrikli fren, askılı anahtar bırakıldıktan sonra 3 saniye içerisinde bıçak dönüşünü durdurur.

DEĞİŞKEN HIZLI KENDİLİĞİNDEN ÇALIŞAN SİSTEM

LM2120E-SP çim biçme makinesi değişken hızlı kendiliğinden çalışma özelliğine sahiptir. Bu sistem bıçağın açma-kapama düşmesinden bağımsızdır; bıçağın dönüşüne bağlı değildir.

Sistemi bıçak dönüşü olmadan çalıştırmak için, kendiliğinden çalışma tetiğini tutma sapına doğru çekin.

Kendiliğinden çalışmayı kapatmak için, kendiliğinden çalışma tetiğini bırakın.

Sistem değişken hızla sahiptir. Hızı artırmak için, kendiliğinden çalışma hız kontrol kolunu ileri itin. Hızı düşürmek için, kendiliğinden çalışma hız kontrol kolunu geri itin (Şek. T).

Bıçak dönüşü ile kesim yapmak için:

1. Çim biçme makinesini çalıştırın.
2. Askılı anahtar sol elinizle tutma sapına karşı tutarken, sağ elinizle kendiliğinden çalışma tetik düşmesini tutma sapına doğru çekin.
3. Sağ elinizle askılı anahtar ve kendiliğinden çalışan tetiği aynı anda tutma sapına karşı tutun ve sol elinizi kullanarak istenen hızı seçmek için kendiliğinden çalışan hız kontrol kolunu ayarlayın.

⚠ UYARI: Yaralanma riskini azaltmak için, anahtarın ya da kendiliğinden çalışma sisteminin çalışmasını geçersiz kılmaya çalışmayın. Kendiliğinden çalışma sistemini sadece kullanım amacına uygun şekilde kullanın.

LED LAMBALAR (Şek. A-13)

Pil yuvasının ön kısmındaki LED çalışma lambalarını açmak/kapatmak için düğmeye (Şek. C-22) basın.

ÇİM BİÇME MAKİNESİNDEKİ GÜÇ GÖSTERGESİ (Şek. U)

Çim biçme makinesi, pil paketinin şarj durumunu ve çim biçme makinesinin çalışma durumunu gösteren bir güç göstergesine sahiptir. Bıçak dönerken veya LED çalışma ışıkları yanarken güç göstergesi yanacaktır.

TR

Çim Bıçme Makinesi Güç Göstergesi	Anlamı	Eylem
Yeşil yanıyor	Çim bıçme makinesi düzgün çalışıyor; pilin en az %15'i dolu	Yok
Kırmızı yanıyor	Pil zayıf	Çim bıçme makinesini durdurun ve pil paketini şarj edin
Yanıp sönen kırmızı	Pil bitmek üzere	Çim bıçme makinesini durdurun ve pil paketini şarj edin
Turuncu yanıyor	Çim bıçme makinesi veya pil paketi aşırı ısınmış	Pil paketini çim bıçme makinesinden çıkarın, gölgeye götürerek en az 15 dakika soğumalarını bekleyin
Yanıp sönen turuncu	Çim bıçme makinesi aşırı yüklenmiş	Yükü azaltmak için yürüyüşünüzü yavaşlatın veya kesim yüksekliğini artırın

ÇİM BİÇME MAKİNESİ AŞIRI YÜK KORUMASI

Aşırı yük oluşmasını önlemek için, bir defada çok fazla çim biçmeye çalışmayın. Kesim hızınızı düşürün ya da kesim yüksekliğini artırın.

Çim bıçme makinesinde dahili aşırı yük devre koruması mevcuttur. Çim bıçme makinesi aşırı yüklendiğinde, motor durur ve çim bıçme makinesi üzerindeki güç göstergesi turuncu renkte yanıp söner. Çim bıçme makinesinden pil paketini çıkarın. Çim bıçme makinesinin tabanında çim toplanıp toplanmadığını kontrol edin ve gerekirse çimleri temizleyin, ardından pili takın ve makineyi tekrar çalıştırın.

TR

PİL YÜKSEK SICAKLIK KORUMASI

Pil paketi çalışma sırasında ısınır. Isı, sıcak havada daha yavaş dağılır. Çalışma sırasında pil sıcaklığı 70°C'yi aşarsa, koruma devresi pil paketinin zarar görmesini önlemek için derhal çim bıçme makinesini kapatır. Çim bıçme makinesi üzerindeki güç göstergesi turuncu renkte yanar ve pil üzerindeki LED turuncu renkte yanıp söner. Askı kolunu bırakın, pil paketinin yaklaşık 67°C'ye kadar soğumasını bekleyin ve çim bıçme makinesini tekrar başlatın.

BAKIM

⚠ UYARI: Ciddi kişisel yaralanmaları önlemek için temizlik, bakım işlemleri veya çim bıçme makinesinin nakliyesi öncesinde her zaman güvenlik anahtarını çıkarın.

⚠ UYARI: Bakım ve onarım sırasında birbirini yedeğin parçalarını kullanın. Diğer parçaların kullanılması tehlike oluşturabilir veya ürünün hasar görmesine neden olabilir. Güvenliği ve güvenilirliği sağlamak için, tüm onarım ve değiştirme işlemleri yetkili bir servis teknisyeni tarafından gerçekleştirilmelidir.

ÇİM BİÇME MAKİNESİNİN TEMİZLENMESİ

⚠ UYARI: Çim bıçme makinesine bakım yaparken veya taşırken emniyet anahtarını ve aküyü çıkartın.

Çim bıçme makinesinin alt kısmı her kullanımdan sonra temizlenerek çim kırıntıları, yaprak, pislik veya diğer maddelerin birikmesi önlenmelidir.

Motor kapağının üzerinde veya etrafında biriken çimleri ve yaprakları temizleyin (su kullanmayın). Çim bıçme makinesini kuru bir bezle temizleyin.

BİÇAĞIN ÇIKARILMASI/TAKILMASI

⚠ UYARI: Bıçak bakımı sırasında dayanıklı eldivenler takarak ve/veya bıçağın keskin kenarlarına üstü�ü ve diğer malzemeleri sararak ellerinizi koruyun. Çim bıçme makinesini taşırken veya bakım/onarım yaparken daima güvenlik anahtarını ve pil paketini çıkarın.

■ Bıçağı çıkarmak için(Şek. W)

UYARI: Cıvataı gevşetirken cıvata motor mili ile birlikte dönerse, fanı elle çevirerek fanadaki delikleri bıçak delikleri ile hizalayın ve hizalanan deliklere başka bir metal çubuk yerleştirin.

■ Bıçağı takmak için

Şek. V'deki montaj sırasını izleyerek, fan pervanesi tabana doğru ve bıçakların çıkıntılı kısımları dışa bakacak şekilde, fanadaki geçiş delikleri ile bıçaktaki delikleri hizalayın (Şek. X) ve bıçağı Şek. X'de gösterildiği gibi sıkın.

Şek. V & W parça açıklaması aşağıdaki gibidir:

V-1	Dengeleyici 1	V-5	İç Flanş
V-2	Dengeleyici 2	W-1	Bıçak
V-3	14mm Anahtar	W-2	Dış Flanş
V-4	Fan	W-3	Cıvata

UYARI: Bıçak cıvatası için önerilen tork değeri 49-59Nm şeklindedir.

ÇİM BİÇME MAKİNESİNİN SAKLANMASI

- Pil paketini çim biçme makinesinden çıkarın ve serin, kuru ve temiz bir yerde saklayın. Gübre veya kaya tuzu gibi aşındırıcı maddelerin yanında saklamayın.
- Çim biçme makinesini çocukların ulaşamayacağı, serin ve kuru bir yerde saklayın.
- Çim biçme makinesini sert plastik bir örtü ile örtmeyin. Plastik örtüler nemi çim biçme makinesinin üzerinde tutar, bu da paslanmaya ve korozyona neden olur.
- Çim biçme makinesi dik veya yassı olarak saklanabilir (Şek. Z).

⚠ UYARI: Dik konumdaki çim biçme makinesi devrilirse, makine hasarına ve kişisel yaralanmaya neden olabilir. Çim biçme makinesi dik konumdayken daima dengede ve çocukların ulaşamayacağı bir konumda olmasını sağlayın. Mümkünse, yassı olarak yatırarak saklayın.

Çevre koruması



Elektrikli cihazları, pil şarj cihazını ve pilleri/şarj edilebilir pilleri evsel atıklarla birlikte atmayın!

AB Yasası 2012/19/EU uyarınca, kullanılamaz durumdaki elektrikli ve elektronik cihazlar ve AB Yasası 2006/66/EC uyarınca, arızalı veya kullanılmış pil paketleri/piller ayrı olarak toplanmalıdır.

Elektrikli cihazlar katı atık sahaları veya çöp toplama alanlarına atılırsa, yer altı sularına ve besin zincirine tehlikeli maddeler sızabilir, bu da sağlığınızın bozulmasına yol açabilir.

SORUN GİDERME

⚠ UYARI: Çim biçme makinesini taşıırken veya bakım/onarım yaparken daima güvenlik anahtarını ve pil paketini çıkarın. Bıçak bakımı sırasında dayanıklı eldivenler takarak ve/veya bıçağın keskin kenarlarına üstüüpü ve diğer malzemeleri sararak ellerinizi koruyun.

SORUN	NEDENİ	ÇÖZÜM
Çim biçme makinesi başlatılmıyor.	<ul style="list-style-type: none">■ Pil paketi boş.■ Pil paketi pil bölümündeki yerine takılmamış.■ Pil paketi veya çim biçme makinesi devresi çok sıcak. (Çim biçme makinesindeki güç göstergesi 10 saniye turuncu yanar)■ Yan korkuluk rayları maksimum uzunluğa getirilmemiş ve mandallar kilitlememiş.■ Tutma sapı iki çalışma konumundan birine ayarlanmamış.■ Çim biçme makinesinin tabanı çim ve artık maddeler nedeniyle tıkanmış.	<ul style="list-style-type: none">■ Pil paketini şarj edin.■ Pil paketini çim biçme makinesine takın.■ Pil paketi veya çim biçme makinesinin 67°C'nin altına düşene kadar soğumasını bekleyin.■ Tutma sapını tamamen uzatın ve her iki mandalı kilitleyin.■ Tutma sapını iki çalışma konumundan birine ayarlayın.■ Çim biçme makinesinin tabanını temizleyin ve bıçakların serbestçe hareket ettiğinden emin olun.
Çim biçme makinesi eşit boyda kesim yapmıyor	<ul style="list-style-type: none">■ Bıçak körelmiş.■ Kesim yüksekliği doğru ayarlanmamış.■ Bıçak hatalı monte edilmiş.	<ul style="list-style-type: none">■ Bıçağı bileyin veya değiştirin.■ Tabanı daha yüksek bir kesim yüksekliği ayarına getirin.■ Bu kılavuzdaki "BIÇAĞIN TAKILMASI" bölümüne göre bıçağı takın.
Makine çim biçme sırasında duruyor	<ul style="list-style-type: none">■ Pil paketi boş.■ Çim biçme makinesi aşırı yüklenmiş.■ Çim biçme makinesinin tabanı çim ve artık maddeler nedeniyle tıkanmış.■ Pil paketi veya çim biçme makinesi devresi çok sıcak. (Çim biçme makinesindeki güç göstergesi 10 saniye turuncu yanar)■ Yan korkuluk rayı, tutma sapına uygulanan itme kuvveti ile bir miktar geri çekilmiş.	<ul style="list-style-type: none">■ Pil paketini şarj edin.■ Kesim yüksekliğini artırın veya çim biçme hızını yavaşlatın.■ Biçici tabanındaki tıkanıklığı giderin. Kesim yüksekliğini artırın veya dar bir şerit halinde kesim yapın.■ Pil paketi veya çim biçme makinesinin 67°C'nin altına düşene kadar soğumasını bekleyin.■ Mandalların kilidini açın. Yan korkuluk raylarını tam olarak uzatın ve mandalları yeniden kilitleyin.

TR

SORUN	NEDENİ	ÇÖZÜM
Çim biçme makinesi doğru şekilde malçlama yapmıyor.	<ul style="list-style-type: none">■ Islak çim artıkları makine gövdesinin alt kısmına yapışıyor.■ Çim biçme makinesi, bir defada çok fazla çim kesecek şekilde ayarlanmış.	<ul style="list-style-type: none">■ Çim biçmeye başlamadan önce çimlerin kurumasını bekleyin.■ Tabanı daha yüksek bir kesim yüksekliği ayarına getirin.
Aşırı titreşim var	<ul style="list-style-type: none">■ Kesim bıçağı gevşek.■ Kesim bıçağı dengesiz.■ Kesim bıçağı eğri.■ Motor mili eğri.	<ul style="list-style-type: none">■ Bıçak civatasını sıkın.■ Talimatları izleyerek bıçağın dengesini sağlayın.■ Bıçağı değiştirin.■ Servis merkezi ile irtibata geçin.
Tutma kolu kilit mandalı yerine oturmuyor.	<ul style="list-style-type: none">■ Yan korkuluk rayları tam olarak uzatılmamış.	<ul style="list-style-type: none">■ Yan korkuluk raylarını tam olarak uzatın ve mandalları kilitleyin.

GARANTİ

EGO GARANTİ POLİTİKASI

EGO Garanti politikasına ilişkin tüm hüküm ve koşullar için, lütfen egopowerplus.com adresindeki web sitemizi ziyaret edin.

TR

LUGEGE KÕIKI JUHISEID!



LUGEGE KASUTUSJUHENDIT

⚠ HOIATUS: Ohutuse ja töökindluse tagamiseks tohivad seda seadet remontida ainult vastava kvalifikatsiooniga hooldustehnikud.

Toote eesmärgipärane kasutus ja väärkasutus:
Seade on mõeldud ainult koduaedades muru niitmiseks. Seda ei tohi kasutada väga kõrge, kuiva või märja muru (nt karjamaa muru) niitmiseks ega lehtede purustamiseks. Seadet tohib kasutada vaid käesolevas juhendis lubatud eesmärgil. Igasugust muud kasutust loetakse väärkasutuseks.

OHUTUSSÜMBOLID

Ohutussümbolite eesmärk on tõmmata teie tähelepanu võimalikele ohtudele. Ohutussümbolitele ja nende juures olevatele seletustele tuleb korralikult tähelepanu pöörata ja need endale selgeks teha. Ohutussümbolid iseenesest ei kõrvalda ohu olemasolu. Nendega kaasnevad juhendid ja hoiatused ei asenda korralikke õnnetuste vältimise meetmeid.

⚠ HOIATUS: Enne käesoleva seadme kasutamist lugege kindlasti läbi ja tehke endale selgeks kõik Kasutusjuhendis toodud ohutusjuhised, sh kõik ohutussümbolid nagu „OHT;“, „HOIATUS;“, ja „ETTEVAATUST“. Kui te ei järgi kõiki allpool toodud juhiseid, võib tekkida elektrilöögi, tulekahju ja/või raske kehavigastuse oht.

SÜMBOLITE TÄHENDUSED

TURVATEATE SÜMBOL Tähistusega **OHT, HOIATUS,** või **ETTEVAATUST**. Võidakse kasutada koos teiste sümbolite või piktograafidega.

ET

⚠ HOIATUS: Mis tahes elektriliste tööriistade kasutamine võib põhjustada võõrkehade paiskumist silma, mis võib põhjustada tõsiseid silmakahjustusi. Kandke elektriliste tööriistade kasutamise ajal alati külgkaitsetega kaitseprille ja vajadusel täielikku näokaitset. Soovitame kanda prillide peal laia vaatealaga kaitsemaski või tavalisi külgkaitsetega kaitseprille.

OHUTUSJUHISED

Sel lehel on kujutatud ja kirjeldatud ohutusesümboloid, mida võib käesolevalt tootelt leida. Enne, kui üritate masinat kokku panna ja kasutada, lugege, tehke omale selgeks ja järgige kõiki juhiseid.

	Ohutusteade	Teie turvalisusega seotud ettevaatusabinõud
	Lugege kasutusjuhendit	Et vähendada vigastuste ohtu, peab kasutaja enne toote kasutamist lugema kasutusjuhendit ja selle endale selgeks tegema.
	Olge teravate lõiketeradega ettevaatlik.	Pärast mootori välja lülitamist jätkavad terad pöörlemist – Enne hooldust eemaldage blokeeriv seade. Enne seadme kohandamist või puhastamist lülitage välja ja eemaldage akuplokk (või blokeerimiseseade).
	Ärge laske kellelgi töö ajal enda lähedal seista	Niidukiga töötamise ajal ei tohi 30m raadiuses olla loomi ega teisi inimesi,
	Hoia jalad ja käsi ära	Hoia jalad ja käsi ära
	CE	Toode vastab rakendatavatele EÜ direktiividele.
	UKCA	See toode vastab asjakohastele UK seadustele.
	WEEE	Elektriseadmete jäätmeid ei tohi visata olmejäätmete hulka. Viige heaks kiidetud taaskäitleja juurde.
	Müra	Garanteeritud helivõimsuse tase. Seadme müra keskkonnas on Euroopa Ühenduse direktiiviga vastavuses.
IPX4	JP-sümbol	Kaitse vee temperatuuriga 4 tihendada
V	Volti	Pinge
A	Amprit	Voolutugevus
Hz	Hertsi	Sagedus (tsükli sekundis)
W	Vatti	Võimsus

min	Minutit	Aeg
	Vahelduvvool	Voolu tüüp
	Alalisvool	Voolu tüüp või omadus
n_0	Tühikäigu kiirus	Tühikäigu pöörlemiskiirus
... /min	Minutis	Pööret minutis

ÜLDISED ELEKTRITÖÖRIISTADE HOIATUSED

⚠ HOIATUS! LUGEGE LÄBI KÕIK ELEKTRITÖÖRIISTAGA KAASAS OLEVAD HOIATUSED, JUHISED, JOONISED JA ANDMED. Alltoodud juhiste eiramine võib põhjustada elektrilööki, tulekahju ja/või raskeid vigastusi.

SÄILITAGE HOIATUSED JA JUHISED HILISEMAKS KASUTUSEKS.

Hoiatuses kasutatud termin "elektritööriist" viitab voolu jõul (juhtmega) töötavale elektrilisele tööriistale või aku jõul töötavale (juhtmata) elektrilisele tööriistale.

TÖÖPIIRKOHHA OHUTUS

- Tööpiirkond peab olema puhas ja hästi valgustatud. Segadus või valgustamata tööpiirkonnad võivad põhjustada õnnetusi.
- Ärge kasutage elektritööriistu plahvatusohtlikes keskkondades, näiteks kergesti süttivate vedelike, gaaside või tolmu läheduses. Elektritööriistad tekitavad sädemeid, mis võivad süüdata tolmu või aurasid.
- Elektritööriistadega töötamisel hoidke lapsed ja kõrvalseisjad eemal. Tähelepanu hajumine võib põhjustada seadme üle kontrolli kaotamise.

ELEKTRILINE OHUTUS

- Elektritööriistad tuleb ühendada sobivasse pistikupespa. Ärge kunagi muutke pistikut mitte mingil viisil. Ärge kasutage maandatud elektriliste tööriistadega mistahes üleminekuadaptereid. Muutmata pistikute ja sobivate pistikupesade kasutamine vähendab elektrilöögi ohtu.
- Vältige kehalist kontakti maandatud pindadega (nt torud, radiaatorid, katted, külmikud). Kui teie keha on maandatud, suureneb elektrilöögi oht.

- Ärge jätke elektrilisi tööriistu vihma kätte ega niisketes tingimustesse. Vee sattumine elektrilise tööriista sisse suurendab elektrilöögi ohtu.
- Ärge rikkuge juhet. Ärge kasutage juhet elektritööriista kandmiseks või tõmbamiseks ja ärge tõmmake juhtmest, kui soovite pistikut pistikupesast eemaldada. Väldige juhtme kokkupuudet kuumade objektide, õli, teravate äärte või liikuvate osadega. Kahjustatud või puntras juhe suurendab elektrilöögi ohtu.
- Elektritööriistaga välitingimustes töötamiseks kasutage välitingimustesse sobivat pikendusjuhet. Välitingimustesse sobiva juhtme kasutamine vähendab elektrilöögi ohtu.
- Kui peate kindlasti tööriista märjas kohas kasutama, kasutage seadet, mille toite tagab jääkvooluseade (RCD). RCD kasutamine vähendab elektrilöögi ohtu.

ISIKLIK OHUTUS

- Olge tähelepanelik, töötage hoolikalt ja rakendage tervet mõistust. Ärge kasutage elektritööriista, kui olete väsinud, või ravimite, alkoholi või narkootikumide mõju all. Vaid hetkeline tähelepanematus elektritööriista kasutamisel võib põhjustada raskeid kehavigastusi.
- Kasutage isikukaitsevahendeid. Kandke alati silmakaitsevahendeid. Töötingimustele vastava kaitsevarustuse (nt tolumaski, mittelibisevate turvajalanõude, kiivri või kuulmiskaitsevahendite) kasutamine vähendab kehavigastuste ohtu.
- Ennetage tööriista tahtmatut käivitamist. Enne tööriista vooluvõrgu ja/või akuplokiga ühendamist ning enne tööriista kandmist või üles tõstmist veenduge, et lüliti on mitteaktiivses asendis. Elektritööriistade kandmine sõrme lülitil hoides või aktiivses olekus lülitiga põhjustab õnnetusi.
- Enne tööriista sisselülitamist eemaldage sellelt reguleerimis- ja mutrivõtmed. Elektritööriista pöörleva osa külge unustatud võtmed vms tööriistad võivad põhjustada kehavigastusi.
- Ärge küünitage liiga kaugele. Töötage ainult kindlal maapinnal ja kohtades, kus pole ohtu tasakaalu kaotada. Nii säilitate ootamatutes olukordades elektritööriista üle parema kontrolli.
- Riietuge asjakohaselt. Ärge kandke avaraid rõivaid ega ehteid. Väldige juuste, riie ja kinnaste kokkupuudet liikuvate osadega. Liiga avarad riided, ehted ja pikad juuksed võivad liikuvate osade vahele kinni jääda.

ET

- Kui tootega on kaasas vahendid tolmu kogumise- ja väljavõtuseadmete ühendamiseks, veenduge, et need seadmed on korralikult ühendatud ja korrektses kasutuses. Tolmu kogumisseadmete kasutamine vähendab tolmu teatud ohtusid.
- Kui seade on teile sagedase kasutamise tulemusel harjumuspäraseks saanud, ärge laske ennast lödvaks ega ignoreerige tööriista kasutamise ohutusreegleid. Hooletuse tõttu võite saada tõsiselt vigastusi ka sekundi mürdosa jooksul.

ELEKTRITÖÖRIISTA KASUTAMINE JA HOOLDUS

- Ärge rakendage elektritööriista kasutamisel jõudu. Kasutage konkreetseks tööks sobivat elektritööriista. Sobiva elektritööriista sobival kiirusel töötades saate töö valmis kiiresti ja ohutult.
- Ärge kasutage tööriista, mida ei saa lülitist sisse ja välja lülitada. Elektrilised tööriistad, mille lüliti ei tööta, on ohtlikud ja tuleb parandada.
- Eemaldage juhe vooluvõrgust ja/või akuplokk seadme küljest enne kui alustate seadme kohandamist, tarvikute lisamist või eemaldamist ja enne seadme hoiustamist. Selliste ohutusmeetmete rakendamisel vähendate elektritööriista juhusliku käivitamise võimalust.
- Tööriistu, mida te hetkel ei kasuta, hoidke lastele kättesaamatus kohas ning ärge lubage nendega töötada isikutel, kes pole tööriistade tööpõhimõtete või käesoleva juhendiga tutvunud. Koolitamata isikute käes on elektrilised tööriistad ohtlikud.
- Hooldage nii elektritööriistu kui tarvikuid. Kontrollige, et liikuvad komponendid on korrektselt joondatud ja ükski osa ei ole katki ning jälgige ka muid aspekte, mis võiksid elektritööriista omadusi mõjutada. Kahjustatud elektritööriist tuleb enne kasutamist parandada. Halvasti hooldatud tööriistad põhjustavad palju õnnetusi.
- Hoidke oma tööriistad teravad ja puhtad. Korralikult hooldatud ja teravate servadega lõikevahendid ei kiilu nii kergesti kinni ja on lihtsamini kontrollitavad.
- Kasutage elektritööriista, selle tarvikuid, tööriistaosi jm vastavalt käesolevale juhendile, võttes arvesse töötingimusi ja teostatavat tööd. Tööriista mitte-eesmärgipärane kasutamine võib põhjustada ohtlikke olukordi.
- Hoidke käepidemed ja haardepinnad kuivad ja puhtad ning vältige neile õli ja rasva sattumist. Libedad käepidemed ja haardepinnad võivad muuta seadme käsitlemise ohtlikuks ja/või põhjustada tööriista üle kontrolli kaotamise.

ET

AKUSEADMETE KASUTAMINE JA HOOLDUS

- Kasutage laadimiseks ainult tootja poolt ette nähtud laadijaid. Akulaadija, mis sobib teatud tüüpi akuplokkide, võib põhjustada tulekahju ohtu, kui seda kasutada mõne teise akuplokkiga.
- Kasutage elektrilisi tööriistu ainult nende jaoks ette nähtud akuplokkidega. Mõne muu akuploki kasutamine võib põhjustada vigastuste ja tulekahju ohtu.
- Kui akut ei kasutata, hoidke seda eemal muudest metallesemetest nagu kirjaklambrid, mündid, võtmed, naelad, kruvid ja muud väikesed metallesemad, mis võivad klemmide vahel ühenduse luua. Aku klemmide lühühendus võib põhjustada põletushaavu ja tulekahju ohtu.
- Valedes tingimustes kasutamisel võib akut vedelikku välja tulla; vältige kokkupuudet sellega. Kokkupuute tekkimisel loputage veega. Kui vedelik satub silma, pöörduge lisaks ka arsti poole. Akust väljuv vedelik võib põhjustada ärritust või põletusi.
- Ärge kasutage kahjustunud või modifitseeritud akuplokki või tööriista. Kahjustunud või modifitseeritud akud võivad toimida ettearvamatult, mille tagajärjeks võib olla tulekahju, plahvatus või vigastuste oht.
- Vältige akuploki või tööriista kokkupuudet tule või liiga kõrge temperatuuriga. Kokkupuude lahtise tule või temperatuuriga üle 130°C võib põhjustada plahvatuset.
- Järgige kõiki laadimisjuhiseid ja ärge laadige akuplokki või tööriista vale temperatuuri juures (vt juhiseid). Valesi või valel temperatuuril laadimine võib kahjustada akut ja suurendada tulekahju ohtu.

HOOLDUS

- Laske oma akutööriista hooldada kvalifitseeritud remonditehnikul, kes kasutab ainult identseid originaalvaruosi. See tagab elektritööriista ohutuse.
- Ärge kunagi hooldage kahjustunud akuplokke. Akuplokkide hooldust võib teostada ainult tootja või volitatud teeninduskeskus.

OHUTUSREEGLID JUHTMETA MURUNIIDUKI KASUTAMISEL

⚠ OHT: Selle masina kasutamisel tuleb järgida käesolevas juhendis kirjeldatud ohutusreegleid. Nagu kõigi elektriliste tööriistade puhul, võib ka antud seadmega hooletult ringi käies põhjustada raskeid vigastusi. Seade võib vigastada jalgu või käsi ja lennutada objekte. Turvanõuete eiramisel võite põhjustada raskeid või surmavaid vigastusi.

⚠ HOIATUS: Juhtmeta muruniidukite kasutamisel tuleb alati järgida järgnevaid elementaarseid ohutusnõudeid. Sedasi vähendate tulekahju, elektrilöögi ja vigastuste ohtu.

OLULINE

ENNE KASUTAMIST LUGEGE TÄHELEPANELIKULT. HOIDKE EDASISEKS KASUTAMISEKS ALLES.

OHUTUSREEGLID JUHTMETA MURUNIIDUKI KASUTAMISEL

ETTEVAATUST - ÄRGE PUUDUTAGE PÖÖRLEVAID TERI!

KOOLITUS

- Lugege juhend hoolikalt läbi. Tutvuge juhtseadmetega ja seadme korrektse kasutamise põhimõtetega.
- Ärge lubage seadet kasutada inimestel, kes pole tutvunud käesoleva juhendiga, ega lastel. Kohalikud seadused võivad seada seadme kasutajatele vanusepiiranguid.
- Ärge kasutage niidukit teiste inimeste (eriti laste) või loomade läheduses.
- Seadme kasutaja vastutab teiste inimeste või nende varaga juhtuvate õnnetuste eest.

ETTEVALMISTUS

- Niitmise ajal kandke alati tugevaid jalatseid ja pikki pükse.
- Ärge kasutage seadet paljajalu või lahtiste jalanõudega. Ärge kasutage väga avaraid või rippuvate paeltega/ seotistega riietust.
- Enne töö alustamist kontrollige tööala ja eemaldage sealt kivid, oksad, traadid, luud ja muud võõrkehaded.
- Enne seadme kasutamist kontrollige alati visuaalselt ega terad, terade poldid või lõikur kulunud või kahjustatud pole. Ühtlase töötulemuse huvides vahetage terasid ja polte alati kompleksis. Vahetage välja kahjustatud ja mitteleotavad etiketid.

SEADME KASUTAMINE

- Niitke ainult päevasel ajal või hea kunstliku valgustusega.
- Võimalusel ärge kasutage seadet märjal murul.
- Kallakutel jälgige jalgealust eriti tähelepanelikult.
- Kõndige, ärge jooksk.
- Ratastega niidukite puhul liikuge mööda küngaste külgi, mitte üles-alla.
- Kallakutel suunda muutes olge eriti ettevaatlik.
- Ärge kasutage seadet väga järskul kallakutel.
- Seadet enda poole tõmmates olge väga ettevaatlik.

- Fikseerige tera(de) asend, kui seadet on vaja erinevat tüüpi pindadest üle liikumiseks kallutada ja kui liigute erinevate niidetavate alade vahel.
- Ärge kasutage seadet, mille turvapiirded või turvadetailid (nt deflektorid ja/või murukogujad) või ohutusseadised on kahjustatud või puuduvad.
- Lülitage mootor sisse vastavalt juhistele, hoides jalgu teradest eemal.
- Ärge kallutage seadet, kui proovite selle mootorit käivitada, välja arvatud juhul kui kallutamine on hädavajalik. Sellisel juhul ärge kallutage seadet rohkem kui hädavajalik ja tõstke ainult seadme operaatorist kõige kaugemale jäävat osa. Enne seadme maapinnale tagasi laskmist peavad operaatori mõlemad käed olema tööasendis. Ärge käivitage seadet, kui seisate väljutusava ees.
- Ärge asetage oma käsi või jalgu pöörlevate osade alla või lähedale. Pöörlevate niidukite puhul hoiduge väljutusavadest kogu aeg eemale.
- Ärge tõstke ega kandke töötava mootoriga seadet.
- Enne seadme kohandamist või puhastamist lülitage see välja ja eemaldage akuplokk (või blokeerige seade) ning veenduge, et kõik liikuvad osad on täielikult seiskunud.
 - Kui lahkute seadme juurest;
 - Enne ummistuse eemaldamist ja renni puhastamist;
 - Enne seadme kontrollimist, puhastamist või seadistamist;
 - Pärast kokkupuudet võõrkehaga. Kontrollige ega seadmel kahjustusi pole ja vajadusel parandage, mis võimalik.
- Kui seade hakkab ebanormaalselt vibreerima (kontrollige kohe):
 - Kontrollige kahjustusi;
 - Parandage või asendage kahjustatud osad;
 - Kontrollige ja vajadusel kinnitage lahtised osad.

HOOLDUS JA HOIUSTAMINE

- Seadme kohandamisel olge ettevaatlik ja vältige sõrmede kinni jäämist liikuvate terade ja fikseeritud seadmeosade vahele.
- Ohutuse huvides jälgige regulaarselt, et kõik mutrid, poldid ja kruvid oleksid kinni.
- Kontrollige regulaarselt, et murukoguja poleks kulunud ega kahjustatud.
- Vahetage kulunud või kahjustatud osad turvalisuse huvides välja.
- Lapsed ei tohi seadet hooldada ega puhastada ilma järelevalveta.

ET

- Terade hooldamisel pidage meeles, et kuigi vooluallikas on välja lülitatud, saab terasid endiselt liigutada.
- Pöörlevate niidukite puhul jälgige, et kasutaksite vaid õiget tüüpi lõikevahendite varuosi.

ISIKLIK OHUTUS

Kui seadme kasutaja pole laste läheduses ülimalt tähelepanelik, võib esineda traagilisi õnnetusi. Lastele pakub muruniiduk ja niitmisprotsess tihti väga suurt huvi. Nad ei taju kaasnevaid ohte. Ärge eeldage, et lapsed püsivad ühe koha peal.

- Lapsed tuleks hoida niidetavast alast eemal, täiskasvanu (mitte niitja) järelevalve all.
- Kui laps tuleb niiduki lähedusse, olge tähelepanelik ja jätke niiduk seisma.
- Pimedatesse nurkadesse, ukseavadesse, pöösastikesse, puude alla ja teistesse piiratud nähtavusega kohtadesse liikudes olge väga ettevaatlik.
- Lastele tuleks kindlasti öelda, et niidukiga ei tohi mängida.
- Akuploki niidukilt eemaldamisel lülitage niiduk alati välja. Fikseerige tera(de) asend, kui seadet on vaja erinevat tüüpi pindadest üle liikumiseks kallutada ja kui liigute erinevate niidetavate alade vahel.

KASUTAMINE

ÜLDISED PÕHIMÕTTED:

- Enne selle seadme kokku panemist lugege läbi kogu käesolev kasutusjuhend. Enne seadme kasutamist lugege, tehke omale selgeks ja järgige kõiki seadmel ja juhendites toodud juhiseid. Enne selle seadme kasutamist tutvuge põhjalikult niiduki juhtseadmetega ja kasutuspõhimõtetega. Hoidke kasutusjuhendit kindlas kohas ja kasutage seda pidevalt, kui tekib küsimusi või soovite tellida varuosi.
- Kasutage sobivat seadet - muruniidukit tohib kasutada vaid niisuguste tööde jaoks, milleks see on ette nähtud.
- Ärge küünitage liigselt – töötage ainult kindlal maapinnal ja kohtades, kus pole ohtu tasakaalu kaotada.
- Muruniiduki teraga lendu paisatud objektid võivad inimestele raskeid vigastusi põhjustada. Enne niitmist tuleb muru alati kontrollida ja ohtlikud objektid eemaldada.
- Enne tagurpidi niitmist ja tagurpidi niites vaadake seljataha ja alla, et teie teele ei jääks väikseid lapsi või teisi inimesi.
- See seade pole mänguasi. Seetõttu olge kogu aeg väga ettevaatlik. See seade on mõeldud vaid ühe töö jaoks – muru niitmiseks. Ärge kasutage seda muudel eesmärkidel.

ET

- Ärge rakendage niidukiga töötades jõudu – niiduk töötab paremini ja turvaliselt, kui seda kasutada ettenähtud kiirusel.
- Enne seadme kasutamist kontrollige alati visuaalselt ega terad, terade poldid või lõikur kulunud või kahjustatud pole. Kulunud või kahjustatud terad, poldid ja muud komponendid tuleb koheselt seadme tasakaalu säilitamiseks välja vahetada. Vahetage välja kahjustatud ja mitteloetavad etiketid.
- Seadet enda poole tõmmates olge väga ettevaatlik.
- Kontrollige põhjalikult ala, kus seadet kasutama hakatakse. Eemaldage kõik kivid, oksad, traadid, mänguasjad ja muud võõrkehad, mis võivad terade vahele kinni jääda või teraga kokku puutudes lendu paiskuda. Lendu paiskunud objektid võivad põhjustada raskeid vigastusi. Plaanige oma liikumistee nii, et niidetav muru ei paiskuks teedele, kõnniteedele, möödakäijate pihta või muus ebasoovitavas suunas. Samuti vältige niidetud muru paiskumist maja seinte või takistuste vastu, sest sealt võib see tagasi vastu niiduki kasutajat paiskuda.
- Vältimaks kontakti teraga ja lendavate objektide põhjustatud vigastusi, olge niitmise ajal kogu aeg käepideme taga ning hoidke lapsed, kõrvalseisjad, abistajad ja loomad vähemalt 30 meetri kaugusel töötavast muruniidukist. Peatage masin, kui keegi siseneb tööpiirkonda.
- Kandke seadme kasutamise ja kohandamise või remontimise ajal silmade kaitseks alati kaitseprille. Rikošetiga niiduki alt paiskunud esemed võivad silmi raskesti vigastada. Tolmuses keskkonnas kandke alati näo- või tolumumaski.
- Riietuge asjakohaselt – ärge kandke ehteid ega avaraid riideid. Need võivad liikuvate osade vahele kinni jääda. Vältimuseks töötades on soovitatav kasutada kummikindaid ja jalanõusid. Kandke kindlaid, tugeva tallaga jalanõusid ning keha ligi hoidvaid pükse ja särki. Soovitatav on kasutada kogu keha katvaid särki ja pükse ning terasest varbaosaga jalanõusid. Ärge kasutage seda seadet paljajalu, sandaalides ega libedates või kergetes (nt riidest) kingades.
- Ärge pange käsi ega jalgu pöörlevate osade lähedale ega lõikealuse alla. Kokkupuutel teraga võite vigastada oma käsi või jalgu.
- Puuduva või kahjustatud väljutusava kaane puhul on oht sattuda kontakti lõiketeradega või saada muruniiduki alt lendavate objektide poolt tekitatud vigastusi.
- Paljud vigastused tekivad, sest niidukit tõmmatakse libisemisest või komistamisest tingitud kukkumise käigus üle jala. Kui kukute, laske käed niidukist koheselt lahti.

- Kõndides ärge tõmmake niidukit kunagi enda poole. Kui tekib vajadus niidukiga tagurpidi seinu või takistuse juurest eemale liikuda, vaadake esmalt alla ja taha, et vältida kukkumist ja seejärel toimige järgnevalt:
 - Astuge niipalju tagasi, et teie käed oleksid täiesti sirged.
 - Veenduge, et teie jalgealune on kindel ja püsiv tasakaalus.
 - Tõmmake niidukit aeglaselt tagasi mitte rohkem kui poole niiduki ja teie vahelise vahemaa võrra.
 - Vajadusel korrake nimetatud samme.
- Ärge töötage niidukiga, kui olete kasutanud alkoholi või narkootikume.
- Olge tähelepanelik ja keskendunud - jälgige, mida teete. Rakendage tervet mõistust. Ärge kasutage muruniidukit väsinuna.
- Mootori/tera juhtkäepide on turvaseade. Ärge üritage selle funktsionaalsust tühistada. Vastasel korral muutub turvaseade kasutuskõlmatuks ning te võite saada liikuvate teradega kokku puutumisest tingitud kehavigastusi. Mootori/tera juhtkäepide peab töötama mõlemas suunas kergesti ja vabastamisel liikuma automaatselt algasendisse tagasi.
- Vältige ohtlikke keskkondi – ärge kasutage niidukeid märgades või niisketes kohtades.
- Ärge kasutage seadet vihma ajal.
- Jälgige alati oma jalgealust. Libisemine ja kukkumine võib põhjustada raskeid vigastusi. Kui tunnete, et jalgealune muutub ebakindlaks, laske mootori/tera juhtkäepide koheselt lahti ning tera seiskub kolme sekundi jooksul.
- Seisake tera, kui ületate kruusateid, jalgradu või autoteid.
- Kui seade peaks ebanormaalselt vibreerima hakkama, peatage mootor ja otsige koheselt vibreerimise põhjust. Vibratsioon hoiatab tavaliselt ohu eest.
 - Kontrollige kahjustusi;
 - Parandage või asendage kahjustatud osad, mida kasutajal on lubatud vahetada;
 - Kontrollige ja pingutage lahtised osad.
 - Ärge kasutage niidukit ilma korraliku tagumise kaitsekilbita, väljutusava katteta, murukotita, multšimisluugita, külgmise tühendusrennita, mootori/tera juhtkäepidemeta või teiste turvaseadmetega. Ärge kasutage kunagi kahjustatud turvaseadmetega niidukit. Selle nõude rikkumine võib põhjustada kehavigastusi.
- Kui esineb olukordi, mida pole käesolevas juhendis kirjeldatud, käituge hoolsalt ja lähtuge tervest mõistusest. Küsige abi EGO hoolduskeskusest.

- Akuplokk tuleb seadmelt enne selle käitlemist eemaldada.
- Aku käitlemisel tuleb järgida ohutusreegleid.

TÖÖTAMINE KALLAKUL:

Kallakutel esineb kõige sagedamini libisemisi ja kukkumisi, mille tulemuseks võib olla raske vigastus. Kallakutel jälgige jalgealust eriti tähelepanelikult. Kallakutel töötades tuleb olla eriti tähelepanelik. Kui tunnete ennast kallakul ebakindlalt, ärge niitke seal.

Kindlasti:

- Liikuge mööda kõrgaste külgi, mitte üles-alla. Kallakutel suunda muutes olge eriti ettevaatlik.
- Jälgige auke, roopaid, kive, peidetud takistusi ja mügarikke, mis võivad põhjustada libisemist või komistamist. Pikas murus võib leiduda takistusi.

Kindlasti mitte:

- Ärge niitke järsakute, kraavide ega kaldapealsele lähedal, sest seal võite kaotada tasakaalu või jalgealuse.
- Ärge niitke kallakutel, mille kaldenurk on suurem kui 15 kraadi.
- Ärge niitke märga muru Ebakindlalt jalgealune võib põhjustada libisemist.

HOOLDUS

⚠ HOIATUS: Murukoti komponendid, väljutusava kate, külgmise väljutusrenn, multšimisluuk ja tagumine kaitsekilp võivad kuluda ja kahjustada saada, mille tulemusena võivad liikuvad osad kaitseta jääda või võõrkehad lendu paiskuda, suurendades vigastuste ohtu. Turvalisuse huvides kontrollige komponente sagedasti ja vahetage kahjustatud komponendid koheselt selles juhendis nimetatud identsete asendusosade vastu. Võtke ühendust EGO klienditeenindusega või lähima EGO hoolduskeskusega ja kutsuge remonditöid tegema kvalifitseeritud hooldustehnik!

- Kui niiduki sisseehitatud ülekoormuse kaitse lüliti aktiveerub tihti, kontakteeruge EGO klienditeenindusega või pöörduge lähimasse EGO teenindusse.
- Ärge puhastage niidukit voolikuga, vältige vee sattumist mootoris ja elektriühenduste peale.
- Eemaldage võti ja hoidke mittekasutatavat niidukit siseruumides. Enne niiduki suletud ruumi paigutamist laske mootoril jahtuda. Muruniidukit tuleks hoida kuivas, kõrges ja lukustatud ruumis, lastele kättesaamatus kohas.

ET



- Remontimisel kasutage vaid käesolevas juhendis loetletud originaalvaruosi. Algselt tootespetsifikatsioonile mittevastavate varuosade kasutamine võib põhjustada häireid seadme töös ja puudujääke ohutuses.
- Enne niiduki hooldamist, puhastamist või võõrkehade eemaldamist ühendage akuplokk lahti ja võtke niiduki küljest ära.
- Järgige komponentide vahetamise juhiseid.
- Hoidke käepidemed kuivana, puhtana ja vältige õli ja rasva sattumist seadmele.
- Tuleohtu vähendamiseks vältige muru, lehtede ja mustuse kogunemist mootori kaanele.
- Kontrollige tihti, kas tera ja mootori paigalduspoldid on piisavalt tugevalt kinni. Samuti kontrollige visuaalselt, kas tera on kahjustusteta (paindumata ning mõradeta ja kulumistunnusteta) Tera võib asendada ainult identse asendusteraga, mille andmed on toodud käesolevas juhendis.
- Hoidke niidukit hoolikalt - parima ja ohutuima toimimise huvides hoidke niiduki tera teravana ja puhtana. Niiduki terad on teravad ja võivad lõigata. Hooldustoimingute ajaks katke tera kinni või kandke kindaid ja olge äärmiselt ettevaatlik.
- Ärge kunagi eemaldage ega rikkuge turvaseadmeid. Kontrollige regulaarselt nende korrasolekut. Ärge kunagi tehke midagi, mis võiks segada turvaseadme funktsioneerimist või vähendada turvaseadme pakutatavat kaitset.
- Enne rataste või lõikamiskõrguse reguleerimist seisake alati mootor.
- Pärast võõrkehaga kokkupuutumist peatage mootor, eemaldage võti ja kontrollige põhjalikult ega niiduk kahjustatud pole. Enne niiduki kasutamist kõrvaldage kahjustused.
- Hooldage ja asendage turvakleebiseid ja juhendavaid kleebiseid vastavalt vajadusele. Võtke ühendust EGO klienditeenindusega või lähima EGO hoolduskeskusega ja kutsuge remonditöid tegema kvalifitseeritud hooldustehnik!
- **HOIDKE NEED JUHISED ALLES.** Lugege neid sageli ning kasutage neid, et seadet kasutavaid isikuid välja õpetada. Kui te seadet kellelegi laenate, andke sellega kaasa ka käesolev kasutusjuhend, et vältida seadme väärkasutamist ja võimalikke vigastusi.

ET

AKUSEADMETE KASUTAMINE JA HOOLDUS

- Loodusressursside säilitamiseks järgige akude jäätmekäitluse nõudeid. See toode sisaldab liitiumioonakusid. Kohalikud ja riiklikud seadused keelavad liitiumioonakude olmeprügi hulka viskamist. Konsulteerige kohaliku jäätmekäitlusega tegeleva ametkonnaga, et saada informatsiooni ringlussevõtu ja / või kõrvaldamise võimaluste kohta.
- Pärast akuploki eemaldamist kõrvaldamise või utiliseerimise eesmärgil katke akuploki klemmid vastupidava kleeplindiga. Ärge üritage akuplokki hävitada ega lahti võtta ega ühtegi selle osa eemaldada. Liitiumioonakud tuleb nõuetekohaselt ringlusse saata või utiliseerida. Ärge kunagi puudutage klemme metallesemetega ega kehaosadega, sest see võib tekitada lühist. Hoidke lastele kättesaamatus kohas. Nende juhiste eiramine võib põhjustada tulekahju ja/või tõsisid vigastusi.
- **RASKETES TINGIMUSTES VÕIB AKUST ERITUDA AKUVEDELIKKE; VÄLTIGE KOKKUPUUED. JUHUSLIKU KOKKUPUUTE KORRAL LOPUTADA MÕJUTATUD KOHTA VEEGA. KUI VEDELIK SATUB SILMA, PÖÖRDUGE LISAKS KA ARSTI POOLE.** Akust väljuv vedelik võib põhjustada ärritust või põletusi.

SPETSIFIKATSIOONID

Mudeli number	LM2020E	LM2020E-SP
Iseliikuv süsteem	Ei	Jah
Pinge	56 V 	56 V 
Tühikäigu kiirus	3000 /min	3000 /min
Lõikekõrgus	25-95 mm	25-95 mm
Soovituslik töokeskkonna temperatuur:	0°C-40°C	0°C-40°C
Soovituslik hoiustamise temperatuur:	-20°C-70°C	-20°C-70°C
Lõikekõrguse valikud	6	6
Aluse suurus	51 cm	51 cm
Lõikelaius	50 cm	50 cm
Murukoti maht	60 L	60 L
Niiduki kõrgus (ilma akuplokita multšimisava)	24,4 kg	27,2 kg
Tera mudel	AB2001	AB2001
Möödetud helirõhk L _{WA}	91,5 dB(A) K=1,80 dB(A)	91,0 dB(A) K=1,89 dB(A)

Helirõhk seadme operatori kõrva juures L_{PA} $K=3$ dB(A)	79,5 dB(A)	79,2 dB(A)
Garanteeritud helirõhu tase L_{WA} (vastavalt 2000/14/EN)	93 dB(A)	93 dB(A)
Vibratsioon a_v , $K=1,5$ m/s ²	Vasakpoolne käepide	≤2,5 m/s ²
	Parempoolne käepide	≤2,5 m/s ²
Tera pidur	Jah	Jah

- Ametlik vibratsioonitaseme näit on mõõdetud standardsete testmeetodite kohaselt ja seda võidakse kasutada erinevate tööriistade võrdlemiseks.
- Ametlikku vibratsioonitaseme näitu võib kasutada ka algse kokkupuutehinnangu andmiseks.

MÄRKUS: Tegelikul kasutamisel tekkiv vibratsioonitase või ametlikult märgitust erineda; turvalisuse eesmärgil peaks seadme kasutaja kandma kindaid ja kuulmiskaitsmeid.

PAKENDI LOEND

OSA NIMI	KOGUS
Muruniiduk	1
Murukott	1
Murukoti raam	1
Multšimisava	1
Külgmine väljutusrenn	1
Turvanupp	1
Kasutusjuhend	1

KIRJELDUS

TUNNE OMA NIIDUKIT (Joon. A ja B ja C ja D ja E)

- 1 Känglüüti (lüüti hoob)
- 2 Käepide
- 3 Turvanupp
- 4 Iseliikuva süsteemi päästik
- 5 Käepideme lukustusklamber
- 6 Murukott
- 7 Lõikamiskõrguse kohandusnupp
- 8 Tagaratas
- 9 Külgmine väljutusava

- 10 Lõiketerade kate
- 11 LED-esituled
- 12 Tekikate
- 13 Esiratas
- 14 Akuploki kaas
- 15 Tagumine käepide
- 16 Kiirkohandusnupp
- 17 Eesmine väljutusava
- 18 Küljerelss
- 19 Iseliikuva süsteemi kiiruskontrolli hoob
- 20 Tagumine kaitsekilp
- 21 LED-esitulede sisselülitusnupp
- 22 Toiteindikaator
- 23 Akuvabastusnupp
- 24 Turvanupu pesa
- 25 Multšimisava
- 26 Külgmine väljutusrenn

KASUTAMINE

MURUKOTI KOKKUPANEK

- 1) Lükake murukott raamile (Joon. F).
- 2) Kinnitage ülemised kinnitid raami külge (Joon. G) ja pange kokku kahepoolsed kinnitid. Viimasena paigaldage alumine kinniti.
- 3) Kokkupandud murukott on kujutatud joonisel H.

LAHTIVÕETAVA KÄEPIDEME KOHANDAMINE

⚠ HOIATUS: Ärge üritage muruniidukit käivitada enne kui käepide on fikseeritud ühte kolmest eelseadistatud asendist (ÜLEMINE TÕÕASEND, KESKMINE TÕÕASEND või ALUMINE TÕÕASEND).

Tarnimisel on niiduki käepide pandud kompaktsesse LUKUSTATUD HOIUASENDISSE (Joon. 1)

- 1) Hoidke all kiirkohandushooba, et vabastada käepide LUKUSTATUD HOIUASENDIST.
- 2) Tõstke kokkupandud asendis olevat käepidet ja laske hoob lahti. Kallutage käepidetõrnat ülespoole kuni tunnete ja kuulete, kuidas lukustustihvt ühte jooniel J näidatud asenditest lukustub.

Joonise J osade kirjeldus, vt allpool:

J-1	Lukustatud hoiuasend
J-2	Kogumiskoti lisa / eemaldamise asend

ET

J-3	Ülemine tööasend
J-4	Keskmine tööasend
J-5	Alumine tööasend

KOGUMISKOTI/MULTŠIMISAVA KINNITAMINE/EEMALDAMINE

⚠ HOIATUS: Ärge kohandage töötava mootoriga, eemaldamata turvavõtmega või pöörlevate teradega niidukit. Oodake kuni terad on seiskunud.

MÄRKUS: kui külgmine väljutusrenn on paigaldatud, peab paigaldatud olema ka multšimisava.

■ Kogumiskoti kinnitamine/eemaldamine (Joon. K)

Kohandage käepide soovitud tööasendisse. Tõstke tagumine tühjendusluuk üles ja kinnitage kogumiskott pöördvarda külge. Eemaldamiseks tõstke kogumiskott lihtsalt üles ja pöördvardalt maha. Viimasena vabastage tagumine tühjendusluuk.

MÄRKUS: Enne kogumiskoti paigaldamist eemaldage eelpaigaldatud multšimisluuk.

■ Multšimisluugi kinnitamine/eemaldamine (Joon. L)

Tõstke tagumine tühjendusluuk üles ja lükake multšimisluuk niiduki sisse. Eemaldamiseks tõmmake see lihtsalt välja. Viimasena vabastage tagumine tühjendusluuk.

■ Külgmise väljutusšahti kinnitamine/eemaldamine (Joon. M)

Tõstke külgmine väljutusluuk üles. Joondage väljutusrenni pesa väljutusluugi nupuga ja vabastage aeglaselt külgmine väljutusluuk nii, et see pöörleks ümber pöördvarda, kuni jääb kindlalt väljutusrennile püsima. Eemaldamiseks tõstke külgmine väljutusluuk ja väljutusrenn üles, luugi paigaldusnupu küljest lahti.

Joonise M osade kirjeldus, vt allapoole:

M-1	Külgmine väljutusava
M-2	Monteerimisnupp
M-3	Monteerimisava
M-4	Külgmine väljutusrenn
M-5	Pöördepunkt

MÄRKUS: kui külgmine väljutusrenn on paigaldatud, peab paigaldatud olema ka multšimisava.

LÕIKEKÕRGUSE MUUTMINE (Joon. N)

⚠ HOIATUS: Hoidke jalad niiduki alusest kõrguse muutmise ajal eemal. Niidukil on võimalik valida viie erineva lõikekõrguse vahel vahemikus 25 kuni 95mm. Valige muru

tüübile ja seisukorrale vastav lõikekõrgusele.

MÄRKUS: Tööriista liigutamisel veenduge, et valitud lõikekõrgus on 3 või suurem. Vastasel juhul võite kahjustada tera.

AKUPAKI PAIGALDAMINE/EEMALDAMINE (Joon. O)

Kasutage ainult joonisel A esitatud akuplokke ja laadijaid.

LAADIGE ENNE ESIMEST KASUTAMIST.

⚠ HOIATUS: Kui mõni seadme komponent on katkine või puudub, ärge proovige akuplokki niiduki külge kinnitada ega niidukit kasutada enne kui katkised või puuduvad komponendid pole asendatud. Selle nõude rikkumine võib põhjustada kehavigastusi.

■ Ühendamiseks

Lükake akuplokki akukambrisse, kuni kuulete "klõpsu".

■ Lahti ühendamiseks

Vajutage akukambris olevat akuvabastusnuppu.

Joonise O osade kirjeldus, vt allapoole:

O-1	Turvanupu pesa
O-2	Turvanupp
O-3	Akuvabastusnupp

MÄRKUS: Jälgige, et niidukil olev riiv klõpsaks kohale ja et akuplokk oleks kindlalt fikseeritud asendis enne kui tööd alustate.

NIIDUKI KÄIVITAMINE

⚠ HOIATUS: Kõigi muruniidukite kasutamisel on oht, et teie või kellegi teise silma paiskub võõrkehi, mis võivad põhjustada tõsiseid silmakahjustusi. Kandke niiduki kasutamisel või remontimisel/kohandamisel alati kaitseprille.

⚠ HOIATUS: Niidukiga töötamise ajal ei tohi 30m raadiuses olla loomi ega teisi inimesi.

⚠ HOIATUS: Pärast niiduki välja lülitamist pöörleb tera veel mõne sekundi. Laske mootoril/teral pöörlemine lõpetada enne kui seadet uuesti käivitada püüate. Ärge lülitage niidukit kiiresti sisse/välja.

TURVANUPP

Teie juhtmeta niiduki juhusliku käivitamise või loata kasutamise vältimiseks on niidukil eemaldatav turvavõti. Kui turvavõti on eemaldatud, pole niiduki kasutamine võimalik.

⚠ OHT: Pöörlevad terad võivad põhjustada raskeid vigastusi. Vigastuste ennetamiseks eemaldage niiduki

turvavõti kui jätate selle järelvalveta või kui kohandate, puhastate, hooldate, transpordite, tõstate või hoiustate seadet.

MÄRKUS: Mootorit ei saa käivitada kui:

- Käepide pole lukustatud tööasendis
- Küljereisid pole täielikult välja sirutatud (Joon. P).
- Mõlemad rohelised käepidet lukustavad klambrid pole turvaliselt suletud (Joon. Q).

Q-1 | märke line

⚠ ETTEVAATUST. Ärge üritage muuta turvanupu või kanglüli funktsiooni.

Alustamine

- 1) Kinnitage akuplokk niiduki külge, sisestage turvavõti võtmeaku ja sulgege aku kaas (Joon. O).
- 2) Vajutage turvanupp alla, nagu on näidatud joonisel R.
- 3) Hoides turvanuppu all, tõmmake käivitusnõr kuni käepidemeni üles ja laske turvanupp lahti.

Peatamiseks

- 1) Laske kanglüli lahti.
- 2) Automaatse pidurdusmehhanismi elektriline pidur peatab terade pöörlemise kolme sekundi jooksul pärast kanglüli vabastamist.

MUUDETAVA KIIRUSEGA ISELIIKUV SÜSTEEM

LM2020E-SP niidukil on muudetava kiirusega ISELIIKUV süsteem. Süsteem pole seotud terade sisselülitusnupuga ega terade pöörlemisega.

Kui soovite süsteemi kasutada ilma pöörlevate teradeta, tõmmake iseliikuva süsteemi päästik käepideme juurde.

Seejärel laske iseliikuva süsteemi välja lülitamiseks päästiku ots lahti.

Süsteem on muutuva kiirusega. Kiiruse suurendamiseks liigutage terade kiiruskontrolli hooba edasi. Kiiruse vähendamiseks tõmmake terade kiiruskontrolli hooba tagasi (Joon. T).

Pöörleva lõiketeraga kasutamiseks:

1. Niiduki käivitamine
2. Hoides kanglüliit vastu käepidet, tõmmake iseliikuva süsteemi päästikut parema käega käepideme suunas.
3. Hoidke kanglüliit ja päästikut parema käega vastu käepidet ja kohandage vasaku käega pöörlemiskiirus soovitud tasemele.

⚠ HOIATUS: Vigastusteohu vähendamiseks ärge üritage muuta lüliti ega isepöörleva süsteemi funktsionaalsust. Kasutage isepöörlevat süsteemi ainult ettenähtud eesmärgil.

NIIDUKI LED-TÖÖTULED (Joon A-13)

Vajutage lüliti nuppi (Joon. C-22), et lülitada akukambri esiküljel asuvad LED-töötuled sisse/välja.

NIIDUKI VOOLUINDIKAATOR (Joon. U)

Niidukil on toiteindikaator, mis teavitab akuploki laetuse astmest ja niiduki olekust. Kui terad pöörlevad või LED-töötuled sisse lülitatakse, hakkab toiteindikaator põlema.

Niiduki vooluindikaator	Tähendus	Toiming
Põlev roheline	Niiduk töötab korralikult; akul on vähemalt 15% laengust alles	N/A
Põlev punane	Aku hakkab tühjaks saama	Seisake niiduk ja vahetage akuplokk
Vilkuv punane	Aku on peaaegu tühi	Seisake niiduk ja vahetage akuplokk
Põlev oranž	Niiduk või aku on ülekuumenenud	Eemaldage aku niidukist, viige varjulisse kohta ja laske vähemalt 15 minutit jahtuda.
Vilkuv oranž	Niiduk on ülekoormatud	Koormuse vähendamiseks aeglustage töötempot ja tõstke lõikamiskõrgust.

NIIDUKI ÜLEKOORMUSE KAITSE

Ülekoormuse ennetamiseks ärge üritage lõigata korraga liiga suurt kogust. Lõikekõrguse tõstmiseks aeglustage liikumiskiirust.

Niidukil on sisseehitatud ülekoormuse kaitse. Ülekoormuse korral mootor seisub ja niidukil vilgub oranž tuli. Ühendage akuplokk lahti ja puhastage. Kontrollige, kas niiduki alla on muru kogunenud ja vajadusel puhastage alumine osa. Seejärel ühendage aku tagasi ja käivitage niiduk.

AKU KÕRGE TEMPERAATUURI KAITSE

Töö käigus toodab akuplokk soojust. Kuuma ilmaga eraldub soojus aeglasemalt. Kui aku töötemperatuur ületab 70°C, lülitab kaitse süsteem niiduki automaatselt välja, et vältida akuploki kahjustamist. Niiduki toiteindikaator põleb oranžilt. Laske kanglüliit lahti, oodake kuni akuplokk jahtub umbes 67°C-ni ja käivitage niiduk uuesti.

ET

HOOLDUS

⚠ HOIATUS: Raskete kehavigastuste vältimiseks tuleb seadme puhastamise või hooldamise ajaks alati turvavõti eemaldada.

⚠ HOIATUS: Remontimisel kasutage vaid originaalvaruosi. Mis tahes muude osade kasutamine võib põhjustada ohtlikke olukordi või seadet vigastada. Ohutuse ja töökindluse tagamiseks tohivad seda seadet remontida ainult vastava kvalifikatsiooniga hooldustehnikud.

NIIDUKI PUHASTAMINE

⚠ HOIATUS: Niiduki hooldamise ja transportimise ajaks eemaldage alati turvavõti.

Niiduki alumist osa tuleks pärast iga kasutuskorda sinna kogunenud lehtedest, porist ja muust prahist puhastada. Prahhi kogunemine ei ole soovitatav, sest see kiirendab seadme metallosade roostetamist ja vähendab niiduki lõikevõimet.

Eemaldage niiduki veovõlliile ja veovõlli (ainult mudeli LM2020E-SP puhul) ja mootori ventilaatori ümber kogunenud muru ja lehed (ärge kasutage selleks vett). Pühkige niiduk niiske lapiga puhtaks.

TERA EEMALDAMINE/PAIGALDAMINE

⚠ HOIATUS: Kaitske alati oma käsi, kasutades niiduki terade hooldamisel tugevaid töökindaid või kattes teravad ääred rätikute või muu kattega. Niiduki hooldamise ja transportimise ajaks eemaldage alati akuplokk.

■ Tera eemaldamine (Joon. W).

MÄRKUS: Kui poldi lahti keeramisel hakkab see koos mootori võlliga pöörlema, pöörake ventilaatorit käega nii, et teral ja ventilaatoril olevad augud oleksid kohakuti ning lükake kohakuti olevatesse aukudesse teine metallvarras

■ Tera paigaldamine

Järgige joonisel V näidatud toimingute järjestust. Hoides ventilaatoripoolset tera külge niiduki aluse pool ja kirjaga tera külge väljaspool joondage ventilaatoris olevad augud teral olevate aukudega (Joon. X) ja keerake tera kinni, nagu näidatud joonisel X.

Jooniste V ja W osade kirjeldust, vt allpool:

V-1	Ventilaator	V-5	Polt
-----	-------------	-----	------

V-2	Seesmine äärik	W-1	Stabilisaator 1
V-3	TeraVälimise äärik	W-2	Stabilisaator 2
V-4	Välimise äärik	W-3	14mm-mutrivõti

MÄRKUS: Tera poldi soovitatav kinnitustugevus on 49-59Nm.

NIIDUKI HOIUSTAMINE

- Eemaldage akuplokk niiduki küljest ja hoidke seda jahedas, kuivas ja puhtas kohas. Ärge hoidke niidukit korrosiivsete ainete nt väetised või kivisool.
- Hoidke niidukid kinnises ja suletud ruumis, mis on jahed, kuiv ja lastele kättesaamatu.
- Ärge katke muruniidukit kilega. Kilekatted koguvad niiduki ümber niiskust, mis põhjustab roostet.
- Niidukit võib hoida püstises asendis (Joon. Z).

⚠ HOIATUS: Kui niiduk hakkab püstisest asendist ära vajuma, võivad sellega kaasned niiduki kahjustumine või inimestele põhjustatud vigastused. Hoidke püstises asendis hoiustatud niidukit alati kindlal maapinnal ja lastele kättesaamatus kohas. Võimalusel hoiustage niidukit tavalisel töökujul.

Keskkonnakaitse



Ärge visake elektriseadmeid, akulaadijaid ega patareisid / akusid olmeprügi hulka!

Vastavalt Euroopa Liidu eriaruandele nr 2012/19/EÜ tuleb elektri- ja elektroonikaseadmed, mis pole enam kasutatavad, ning, vastavalt direktiivile 2006/66/EÜ, ka defektsed või kasutatud akuplokkid / patareisid, eraldi kokku koguda.

Kui elektriseadmed maetakse maa sisse või viiakse prügimäele, võivad ohtlikud ained põhjavette lekkida ja toiduahelasse sattuda ning kahjustada teie tervist ja heaolu.

TÕRKEOTSING

⚠ HOIATUS: Niiduki hooldamise ja transportimise ajaks eemaldage alati turvavõti ja akuplokk. Kaitske alati oma käsi, kasutades niiduki terade hooldamisel tugevaid töökindaid või kattes teravad ääred rätikute või muu kattega.

PROBLEEM	PÕHJUS	LAHENDUS
Niiduk ei käivitu	<ul style="list-style-type: none"> ■ Akuplokk on tühi. ■ Akuplokk ei ole akusahtlisse kinnitatud ■ Akuplokk või niiduki vooluring on liiga kuum. (Niiduki toiteindikaator põleb 10 sekundit oranžilt.) ■ Küljerelsid pole maksimumulatuses välja sirutatud ja klambrid pole asendisse lukustunud. ■ Käepide pole ühes kahest tööasendist. ■ Muruniiduki alla on kogunenud liiga palju muru ja prahti. 	<ul style="list-style-type: none"> ■ Laadige akuplokk. ■ Kinnitage akuplokk niiduki külge ja suruge sellele, kuni kuulete klõpsatust. ■ Jahutage akuplokki või niidukit, kuni temperatuur langeb alla 67°C. ■ Lükake käepide maksimaalselt välja ja lukustage mõlemad kinnitused. ■ Kohandage käepide ühte kahest tööasendist. ■ Puhastage niiduki alus ja veenduge, et tera saab vabalt liikuda.
Niiduk lõikab ebahühtlaselt	<ul style="list-style-type: none"> ■ Tera on nüri. ■ Lõikekõrgus pole korrektselt seadistatud ■ Tera on valesti külge monteeritud. 	<ul style="list-style-type: none"> ■ Teritage tera või vahetage see välja. ■ Tõstke alust kõrgemale, et niita kõrgemalt. ■ Paigaldage tera tagasi, järgides käesoleva juhendi peatükis "TERA PAIGALDAMINE" antud juhiseid.
Niiduk seiskub niitmise ajal	<ul style="list-style-type: none"> ■ Akuplokk on tühi. ■ Muruniiduk on ülekoormatud. ■ Muruniiduki alla on kogunenud liiga palju muru ja prahti. ■ Akuplokk või niiduki vooluring on liiga kuum. (Niiduki toiteindikaator põleb 10 sekundit oranžilt.) ■ Küljrelss tõmbub veidi tagasi käepidemele mõjuva tõukejõu toel. 	<ul style="list-style-type: none"> ■ Laadige akuplokk. ■ Suurendage lõikekõrgust või niitke aeglasemalt ■ Eemaldage niiduki alla kogunenud mass. Suurendage lõikekõrgust või niitke kitsamat riba. ■ Jahutage akuplokki või niidukit, kuni temperatuur langeb alla 67°C. ■ Avage kinnitused. Lükake küljerelsid lõpuni välja ja fikseerige kinnitused uuesti.

ET

PROBLEEM	PÕHJUS	LAHENDUS
Niiduk ei muftši korralikult	<ul style="list-style-type: none"> ■ Märja muru tükid jäävad muruniiduki aluse külge kinni. ■ Niiduk on seadistatud nii, et korraga lõigatakse liiga palju muru. 	<ul style="list-style-type: none"> ■ Enne niitmist oodake, et muru kuivaks. ■ Tõstke muruniiduki alust kõrgemaks, et suurendada lõikekõrgust.
Esineb liigset vibratsiooni	<ul style="list-style-type: none"> ■ Lõiketera on lahti. ■ Lõiketera on tasakaalustamata. ■ Lõiketera on paindunud. ■ Mootorivõll on paindunud. 	<ul style="list-style-type: none"> ■ Keerake tera polt tugevamalt kinni. ■ Tasakaalustage tera vastavalt juhendile. ■ Vahetage tera. ■ Võtke ühendust hoolduskeskusega.
Käepideme lukustusklambreid ei saa suletud asendis fikseerida	<ul style="list-style-type: none"> ■ Küljerelsid pole täielikult välja lükatud. 	<ul style="list-style-type: none"> ■ Lükaki küljerelsid lõpubi välja ja lukustage klambrid.

GARANTII

EGA GARANTIIPÕHIMÕTTED

Täielikud EGO garantiitingimused leiata veebilehelt egopowerplus.com.

ПРОЧИТАЙТЕ ВСІ ІНСТРУКЦІЇ!



ПРОЧИТАЙТЕ ПОСІБНИК З ЕКСПЛУАТАЦІЇ

⚠ ПОПЕРЕДЖЕННЯ. Для гарантування безпеки та надійності всі роботи з ремонту та заміни повинен проводити кваліфікований технічний спеціаліст.

Призначення та передбачуване неправильне використання: Виріб призначений для косіння трави тільки в садах домашніх господарств. Її не можна використовувати для косіння надзвичайно високої, сухої або вологої трави, наприклад пасовищної трави або для подрібнення листя. Цей виріб має використовуватись тільки за призначенням. Будь-яке інше використання вважається випадком використання не за призначенням.

СИМВОЛИ, ЩО СТОСУЮТЬСЯ БЕЗПЕКИ

Мета символів, пов'язаних із безпекою, – привернути вашу увагу до можливих небезпек. Символи безпеки та їхнє пояснення заслуговують на вашу пильну увагу та розуміння. Символи попереджень самі по собі не усувають будь-якої небезпеки. Інструкції та попередження, які вони надають, не замінюють належних заходів щодо запобігання аваріям.

⚠ ПОПЕРЕДЖЕННЯ. Перш ніж користуватися цим інструментом, обов'язково ознайомтеся з усіма інструкціями з безпеки, наведеними в цьому посібнику користувача, зокрема з усіма символами попереджень, такими як «**НЕБЕЗПЕКА**», «**ПОПЕРЕДЖЕННЯ**» та «**ЗАСТЕРЕЖЕННЯ**». Недотримання наведених нижче вказівок може спричинити ураження електричним струмом, пожежу та/або серйозні травми.

ЗНАЧЕННЯ СИМВОЛУ

СИМВОЛ ПОПЕРЕДЖЕННЯ ЩОДО БЕЗПЕКИ: Вказує на **НЕБЕЗПЕКУ**, **ПОПЕРЕДЖЕННЯ** АБО **ЗАСТЕРЕЖЕННЯ**. Може використовуватися разом з іншими символами або піктограмами.



⚠ ПОПЕРЕДЖЕННЯ. Використання будь-яких електронструментів може призвести до потрапляння сторонніх предметів в очі, що може спричинити серйозне пошкодження очей. Перед початком експлуатації електронструмента завжди надягайте закриті захисні окуляри або відкриті захисні окуляри з бічними щитами та, якщо потрібно, повнопрофільну захисну маску. Ми рекомендуємо захисну маску широкого розміру для використання поверх окулярів або стандартні відкриті захисні окуляри з бічними щитами.

ВКАЗІВКИ З ТЕХНІКИ БЕЗПЕКИ

На цій сторінці зображено та описано символи, пов'язані з безпекою, які можуть відображатися на цьому виробі. Перш ніж намагатися зібрати та експлуатувати його, ознайомтеся з усіма інструкціями на машині та дотримуйтесь їх.

	Попередження щодо безпеки	Запобіжні заходи, що стосуються вашої безпеки.
	Прочитайте посібник з експлуатації	Щоб зменшити ризик травми, користувач повинен ознайомитися з інструкцією користувача перед використанням цього виробу.
	Пам'ятайте про гострі леза.	Після вимкнення мотора леза продовжують рухатися. Виймайте пристрій відключення перед обслуговуванням. Перед регулюванням або чистинням вимкніть та вийміть змінний акумулятор (або пристрій відключення).
	Тримайте сторонніх подалі	Переконайтеся, що інші люди та домашні тварини залишаються на відстані принаймні 30 м від косарки, коли вона використовується.
	Тримайте ноги та руки	Тримайте ноги та руки
	CE	Цей виріб відповідає чинним директивам ЄС.
	UKCA	Цей продукт відповідає чинному законодавству Великобританії.
	WEEE	Відходи електричних виробів не слід викидати разом із побутовим сміттям. Зверніться до авторизованого пункту переробки.
	Шум	Гарантований рівень звукової потужності. Розповсюдження шуму в навколишнє середовище згідно з директивою Європейського співтовариства.
IPX4	Символ IP	Захист від проникнення води ступеня 4
V	Вольти	Напряга
A	Амperi	Струм

UK

Hz	Герци	Частота (число циклів за секунду)
W	Вати	Потужність
min	Хвилини	Час
	Змінний струм	Тип струму
	Постійний струм	Тип або характеристика струму
n_0	Швидкість холостого ходу	Обертова швидкість без навантаження
.../min	На хвилину	Обертів на хвилину

ЗАГАЛЬНІ ПОПЕРЕДЖЕННЯ ЩОДО ТЕХНІКИ БЕЗПЕКИ РОБОТИ З ЕЛЕКТРОІНСТРУМЕНТАМИ

⚠ ПОПЕРЕДЖЕННЯ. ПРОЧИТАЙТЕ ВСІ ПОПЕРЕДЖЕННЯ БЕЗПЕКИ, ІНСТРУКЦІЇ, ІЛЮСТРАЦІЇ ТА ХАРАКТЕРИСТИКИ, НАДАНІ З ЦИМ ЕЛЕКТРОІНСТРУМЕНТОМ. Недотримання наведених нижче вказівок може спричинити ураження електричним струмом, пожежу та/або серйозні травми

ЗБЕРІГАЙТЕ ВСІ ПОПЕРЕДЖЕННЯ ТА ІНСТРУКЦІЇ ДЛЯ ВИКОРИСТАННЯ У МАЙБУТЬОМУ.

Термін «електроінструмент» у попередженнях стосується електричного інструмента, що працює від електромережі (через шнур) або від акумулятора (без шнура).

БЕЗПЕКА В РОБОЧІЙ ЗОНІ

- **Робоче місце має бути чистим і гарно освітленим.** Неприбрана або погано освітлена робоча зона може стати причиною нещасного випадку.
- **Не працюйте з інструментом у вибухонебезпечному середовищі, наприклад за наявності легкозаймистих рідин, газів або пилу.** Під час роботи електроприладу утворюються іскри, від яких можуть зайнятися пил або випари.

UK

- **Дітям і спостерігачам заборонено перебувати поруч з електроінструментом, що працює.** Це може відволікати вас і призвести до втрати контролю.

ЕЛЕКТРИЧНА БЕЗПЕКА

- **Штепсельні вилки електроінструмента мають підходити до розеток.** Заборонено модифікувати вилку будь-яким чином. **Не використовуйте жодні штепселі-перехідники для роботи з заземленими електроінструментами.** Штепселі та розетки, у які не вносилися зміни, зменшують ризик ураження електричним струмом.
- **Уникайте контакту частин тіла із заземленими поверхнями, такими як труби, батареї, плити й холодильники.** У разі заземлення тіла збільшується ризик ураження електричним струмом.
- **Бережіть електроінструмент від дощу та вологи.** Вода, що потрапила в електроінструмент, підвищує ризик ураження електричним струмом.
- **Поводьтесь обережно зі шнуром живлення.** Не використовуйте шнур живлення для перенесення чи перетягування інструмента та виймання вилки з розетки. Бережіть шнур живлення від джерел тепла, мастил, гострих країв та рухомих частин. Пошкоджені або заплутані шнури живлення підвищують ризик ураження електричним струмом.
- **Під час роботи з електроінструментом надворі використовуйте подовжувач, призначений для зовнішніх робіт.** Використання подовжувача, призначеного для зовнішніх робіт, зменшує ризик ураження електричним струмом.
- **Якщо роботи з електроінструментом у вологому середовищі не unikнути, скористайтеся пристроєм захисного вимкнення (ПЗВ).** Використання ПЗВ зменшує ризик ураження електричним струмом.

ІНДИВІДУАЛЬНА ТЕХНІКА БЕЗПЕКИ

- **Під час роботи з електроінструментом будьте уважними, слідкуйте за своїми діями та мисліть розсудливо.** Не працюйте з електроінструментом, якщо ви втомлені або перебуваєте під дією наркотичних речовин, алкоголю або ліків. Навіть миттєва втрата пильності під час роботи з електроінструментами може стати причиною важкої травми.
- **Використовуйте засоби особистого захисту.** Завжди носіть засоби захисту очей. Використання у відповідних умовах таких захисних засобів, як протипиловий респіратор, неслизьке захисне взуття, шолом-каска і навушники допоможе зменшити ризик травмування.

- Уникайте випадкового запуску інструмента. Перш ніж підключати електроінструмент до мережі живлення чи акумулятора, брати чи переносити його, перевірте, чи встановлено перемикач у положення «вимкнено». Якщо переносити електроінструмент, тримаючи палець на перемикачі живлення, або підключати його до джерела живлення, коли перемикач живлення перебуває в положенні «увімкнено», це може призвести до травмування.
- Перш ніж вмикати електроінструмент, слід зняти всі регульовальні клинці або гайкові ключі. Якщо залишити такий ключ на рухомій частині електроінструмента, це може призвести до травмування.
- Не дотягуйтесь. Завжди міцно стійте на ногах і втримуйте рівновагу. Це дає змогу краще керувати електроінструментом у разі виникнення непередбачуваних ситуацій.
- Одягайтеся належним чином. Не носіть вільний одяг або біжутерію. Стежте за тим, щоб волосся, одяг та рукавиці не потрапили на рухомі частини. Вільний одяг, прикраси або довге волосся можуть потрапити в рухомі частини.
- Якщо пристрої обладнано системою видалення пилу, переконайтеся, що її правильно підключено і що ви використовуєте її належним чином. Використання пристрою для збирання пилу може зменшити безпеку, пов'язану з пилом.
- Не дозволяйте навичкам, отриманим після частого використання інструментів, змусити вас стати самовпевненими та ігнорувати принципи безпеки інструмента. Недбала дія може спричинити серйозну травму протягом долі секунди

ВИКОРИСТАННЯ ТА ДОГЛЯД ЗА ЕЛЕКТРОІНСТРУМЕНТОМ

- Не застосовуйте силу до електроінструмента. Використовуйте належний електроінструмент відповідно до потреби. Правильно підібраний електроінструмент допоможе краще і безпечніше зробити роботу зі швидкістю, яка для неї передбачена.
- Не використовуйте електроінструмент, якщо перемикач не вмикає або не вимикає його. Усі електроінструменти, якими неможливо керувати за допомогою перемикача, становлять небезпеку й підлягають ремонту.
- Перш ніж проводити будь-які налаштування, замінювати приладдя, а також перед зберіганням вийміть штепсель із розетки або акумулятор з інструмента. Такі запобіжні заходи техніки

безпеки зменшують ризик випадкового запуску електроінструмента.

- Зберігайте інструменти, що не використовуються, подалі від дітей і не дозволяйте особам, які не мають досвіду роботи з такими інструментами або не знайомі з цією інструкцією, користуватись електроінструментом. Електроінструменти становлять небезпеку в руках недосвідчених користувачів.
- Доглядайте за електроінструментами та аксесуарами. Перевіряйте їх на предмет розладнання чи блокування рухомих частин, а також будь-яких обставин, які можуть вплинути на роботу електроінструмента. У разі пошкодження електроінструмент слід здати в ремонт, перш ніж користуватися ним. Часто нещасні випадки трапляються внаслідок неналежного технічного обслуговування електроінструментів.
- Тримайте ріжучі інструменти гострими й чистими. Належним чином доглянуті ріжучі інструменти з гострими ріжучими краями рідше блокуються, і ними легше керувати;
- Користуйтеся електроінструментом, аксесуарами та насадками для інструмента згідно з цією інструкцією, зважаючи на робочі умови та роботу, яку слід виконати. Використання електроінструмента не за призначенням може стати причиною виникнення небезпечних ситуацій.
- Підтримуйте руків'я та захватні поверхні сухими, чистими, без жиру і бруду. Слизькі ручки та захватні поверхні можуть призвести до небезпечного поведіння з інструментом та/або втрати контролю.

КОРИСТУВАННЯ І ДОГЛЯД ЗА АКУМУЛЯТОРНИМ ІНСТРУМЕНТОМ

- Заряджайте лише за допомогою зарядного пристрою, указанного виробником. Зарядний пристрій, який підходить для акумуляторів одного виду, може спричинити ризик пожежі у випадку його використання з іншим акумулятором.
- З електроінструментами слід використовувати лише призначені для них акумуляторні батареї. Використання будь-яких інших акумуляторних батарей може призвести до травми або пожежі.

UK

- Коли батарея не використовується, її слід тримати окремо від металевих предметів – затискачів паперу, монет, ключів, цвяхів, шурупів та інших дрібних предметів, які можуть замкнути клеми. Коротке замикання клем акумулятора може стати причиною опіків чи пожежі.
- У надто важких умовах експлуатації з акумулятора може витікати рідина; не доторкайтесь до неї. Якщо випадково ви все ж торкнулися її, слід промити це місце водою. Якщо рідина потрапила в очі, слід також звернутися до лікаря. Рідина, яка виступає з акумулятора, може спричинити подразнення або опіки.
- Не використовуйте акумуляторну батарею або інструмент, які пошкоджено або змінено. Пошкоджені або змінені батареї можуть мати непередбачувану поведінку, що може спричинити пожежу, вибух або ризик травмування.
- Не піддавайте акумуляторну батарею або інструмент дії вогню або високих температур. Вогонь або температура вище 130°C може спричинити вибух.
- Дотримуйтесь усіх інструкцій щодо заряджання та не заряджайте акумуляторну батарею або інструмент за межами температурного діапазону, зазначеного в інструкціях. Зарядження неналежним чином або при температурах за межами вказаного діапазону може пошкодити акумулятор і збільшити ризик виникнення пожежі.

СЕРВІС

- Обслуговування електроінструмента повинен виконувати кваліфікований ремонтник із використанням лише ідентичних запасних частин. Це забезпечить нормальну роботу електроінструмента.
- Ніколи не ремонтуйте пошкоджені акумулятори. Сервісне обслуговування акумуляторних батарей має виконувати лише виробник або авторизовані постачальники послуг.

ПРАВИЛА ТЕХНІКИ БЕЗПЕКИ ДЛЯ АКУМУЛЯТОРНОЇ ГАЗОНОКОСАРКИ

⚠ НЕБЕЗПЕКА. Цей інструмент розроблено для використання згідно з правилами безпечної експлуатації, що містяться в цьому посібнику. Як і у випадку будь-якого типу електричного обладнання, недбалість або помилка оператора можуть призвести до серйозних травм. Цей

інструмент здатний пошкодити руки і ноги та відкидати предмети. Недотримання всіх інструкцій з безпеки може призвести до серйозних травм.

⚠ ПОПЕРЕДЖЕННЯ. Працюючи з акумуляторними газонокосарками, завжди дотримуйтесь основних правил безпеки, щоб зменшити ризик пожежі, ураження електричним струмом і травмування.

ВАЖЛИВО

ПРОЧИТАЙТЕ УВАЖНО ПЕРЕД ВИКОРИСТАННЯМ. ЗБЕРІГАЙТЕ ДЛЯ ПОДАЛЬШОГО КОРИСТУВАННЯ.

ПРАВИЛА ТЕХНІКИ БЕЗПЕКИ ДЛЯ АКУМУЛЯТОРНИХ ГАЗОНОКОСАРОК:

ОБЕРЕЖНО! НЕ ТОРКАЙТЕСЬ ЛЕЗА, ЩО ОБЕРТАЄТЬСЯ!

НАВЧАННЯ

- Уважно ознайомтеся з інструкцією. Ознайомтеся із засобами керування та правилами належного користування пристроєм.
- Не дозволяйте користуватися цим інструментом особам, які не ознайомилися з інструкцією з експлуатації, або дітям. Місцеві нормативні акти можуть обмежувати вік оператора.
- Ніколи не косіть, якщо поблизу перебувають люди, особливо діти, або домашні тварини.
- Оператор або користувач несе відповідальність за нещасні випадки або виникнення непередбачених ситуацій з іншими людьми або їхнім майном.

ПІДГОТОВКА

- Під час косіння завжди носіть міцне взуття й довгі штани.
- Не користуйтеся інструментом босоніж або у відкритих сандалях. Не одягайте вільний одяг або одяг із висячими нитками чи шнурівки.
- Ретельно огляньте ділянку, де буде використовуватися інструмент, і приборіть усе каміння, гілки, проводи, кістки та сторонні предмети.
- Перед використанням завжди візуально перевіряйте леза, болти ножа та ріжучий блок на предмет зношеності чи пошкоджень. Замінійте зношені або пошкоджені леза та болти комплектом для збереження балансу. Замініть пошкоджені або нерозбірливі етикетки.

ЕКСПЛУАТАЦІЯ

- Косіть тільки при денному світлі або достатньому штучному освітленні.

UK

- Уникайте роботи з інструментом у мокрій траві, якщо можливо.
- Завжди зберігайте стійке положення ніг на схилах.
- Ходіть, не біжіть.
- У випадку роторних косарок на колесах косіть поперек схилів, і ніколи вгору чи вниз.
- Будьте надзвичайно обережні, змінюючи напрямок на схилі.
- Не косіть на занадто крутих схилах.
- Будьте надзвичайно обережними, пересуваючись у зворотному напрямку або тягучи пристрій до себе.
- Зупиніть лезо(а), якщо пристрій потрібно нахилити для транспортування, перетинаючи інші поверхні, крім трави, а також транспортуючи пристрій на ділянку для косіння та з цієї ділянки.
- Ніколи не експлуатуйте пристрій із несправними захисними пристроями чи щитками або без захисних засобів, наприклад дефлектора та/або травозбірника на місці.
- Увімкніть мотор відповідно до інструкції, тримаючи ноги подалі від лез.
- Не нахиляйте прилад, вмикаючи мотор, крім випадків, коли прилад необхідно нахилити для запуску. У цьому випадку не можна нахилити більше, ніж це абсолютно необхідно, і піднімати тільки віддалену від оператора частину. Завжди тримайте обидві руки в робочому положенні, перш ніж повернути інструмент на землю. Не запускайте інструмент, стоячи перед випускним отвором.
- Не наближайте руки або ноги до частин, що обертаються. У випадку роторних косарок тримайтеся на відстані від вивідного отвору.
- Ніколи не піднімайте й не переносьте прилад, коли мотор працює.
- Вимкніть та вийміть змінну акумуляторну батарею (або пристрій відключення) та переконайтеся, що всі рухомі деталі повністю зупинилися, перед регулюванням чи чищенням:
 - залишаючи інструмент;
 - перед видаленням сміття або прочищенням жолоба;
 - перед перевіркою, чищенням інструмента або роботою над ним;
 - після зіткнення зі стороннім предметом.Перевірте прилад на наявність пошкоджень і проведіть ремонт у міру необхідності.
- Якщо прилад починає сильно вібрувати (негайно перевірте):

- огляньте пристрій на наявність пошкоджень;
- замініть або відремонтуйте пошкоджені деталі;
- перевірте та закріпіть незакріплені деталі.

ТЕХНІЧНЕ ОБСЛУГОВУВАННЯ ТА ЗБЕРІГАННЯ

- Будьте обережні під час налаштування інструмента, щоб запобігти попаданню пальців між рухомими лезами і нерухомими частинами приладу.
- Тримайте всі гайки, болти та гвинти щільно затягнутими для утримання пристрою в безпечному робочому стані.
- Часто перевіряйте травозбірник на предмет зношення або пошкодження.
- Зношені та пошкоджені частини замініть заради безпеки.
- Дітям забороняється без нагляду чистити та обслуговувати прилад.
- Під час обслуговування лез майте на увазі, що, незважаючи на те, що джерело живлення вимкнено, леза можуть бути рухомі.
- У випадку роторних косарок переконайтеся, що використовуються лише замінні ріжучі засоби правильного типу.

ІНДИВІДУАЛЬНА ТЕХНІКА БЕЗПЕКИ

Можуть статися трагічні нещасні випадки, якщо оператор не потурбується про присутність дітей. Дітей часто приваблюють косарки та процес косіння. Вони не розуміють небезпеки. Ніколи не вважайте, що діти залишаться там, де ви їх востаннє бачили.

- Тримайте дітей поза зоною косіння та під пильною увагою іншого відповідального дорослого, крім оператора.
- Будьте насторожі та вимкніть косарку, якщо дитина увійде в робочу зону.
- Будьте надзвичайно обережні під час наближення до сліпих кутів, дверних прорізів, чагарників, дерев або інших об'єктів, які можуть закривати ваше поле зору так, що ви можете не побачити дитину, яка може бігти на косарку.
- Діти повинні бути під наглядом, щоб вони не бавилися з косаркою.
- Завжди вимикайте косарку, виймаючи акумулятор з інструмента. Зупиніть лезо(а), якщо пристрій потрібно нахилити для транспортування, перетинаючи інші поверхні, крім трави, а також транспортуючи пристрій на ділянку для косіння та з цієї ділянки.

ЕКСПЛУАТАЦІЯ

ЗАГАЛЬНА ЕКСПЛУАТАЦІЯ:

- Перш ніж спробувати зібрати цей інструмент, уважно прочитайте цей посібник користувача. Перед експлуатацією ознайомтеся з усіма інструкціями на інструменті та дотримуйтесь їх. Перед використанням приладу ознайомтеся з елементами керування та правильним використанням. Зберігайте цей посібник у безпечному місці для довідки в майбутньому та для замовлення запасних частин.
- Використовуйте правильний прилад – не використовуйте газонокосарку для будь-якої роботи, крім тієї, для якої її призначено.
- Не дотягуйтесь – завжди міцно стійте на ногах і втримуйте рівновагу.
- Предмети, на які натрапить лезо газонокосарки, можуть завдати серйозних травм людям. Перед кожним косінням галявину слід завжди ретельно оглядати та очищати від усіх предметів.
- До і під час руху назад дивіться назад і вниз, щоб бачити маленьких дітей та інших людей.
- Цей інструмент не є іграшкою. Тому завжди будьте надзвичайно обережні. Ваш прилад призначений для виконання одного завдання: косіння трави. Не використовуйте його для інших цілей.
- Не застосовуйте силу до газонокосарки – вона виконуватиме свою роботу краще і безпечніше при швидкості, для якої її розроблено.
- Перед використанням завжди візуально перевіряйте леза, болти ножа та ріжучий блок на предмет зношеності чи пошкоджень. Замініть зношені або пошкоджені леза і болти та будь-які інші компоненти одночасно, щоб зберегти рівновагу. Замініть пошкоджені або нерозбірливі етикетки.
- Будьте надзвичайно обережними, пересуваючись у зворотному напрямку або тягнучи пристрій до себе.
- Ретельно перевірте місце, де використовуватиметься обладнання. Приберіть усе каміння, палички, дрови, іграшки та інші сторонні предмети, які можуть бути зачеплені або затягнуті та відкинуті лезом. Відкинуті предмети можуть призвести до серйозних травм. Заплануйте таку схему косіння, щоб уникнути вивантаження матеріалу на дороги, тротуари, сторонніх спостерігачів тощо. Крім того, уникайте вивантаження матеріалу на стіни або перешкоди, що може відрикошетити матеріал у бік оператора.
- Щоб уникнути контакту з лезами або травмування відкинутими предметами, залишайтеся в зоні

оператора за руків'ями та тримайте дітей, спостерігачів, помічників та домашніх тварин на відстані принаймні 30 метрів від косарки, поки вона працює. Зупиніть машину, якщо хтось заїде в робочу зону.

- Завжди носіть відкриті або закриті захисні окуляри під час роботи та під час регулювання або ремонту для захисту очей. Відкинуті предмети, що відскакують рикошетом, можуть спричинити серйозні пошкодження очей. Завжди використовуйте маску для обличчя або для захисту від пилу, якщо робота передбачає утворення пилу.
- Одягайтеся належним чином – не носіть вільного одягу або прикрас. Вони можуть потрапити в рухомі частини. Гумові рукавички та взуття рекомендуються під час роботи надворі. Одягайте міцне робоче взуття з грубою підшвою і тісні облягаючі штани та сорочки. Рекомендуються сорочки та штани, що покривають руки та ноги, і взуття зі сталевим носком. Ніколи не використовуйте цю машину босоніж, у босоніжках, слизькому або легкому (наприклад, парусиновому) взутті.
- Не наближайте руки або ноги до частин, що обертаються, і під ріжучу деку. Контакт із лезом може травмувати руки та ноги.
- Відсутність або пошкодження кожуха вивідної системи може спричинити контакт із лезом або травмування відкинутими предметами.
- Багато травм трапляються внаслідок того, що косарка найжджає на ногу під час падіння, спричиненого ковзанням або спотиканням. Не тримайтеся за косарку, якщо ви падаєте; відпустіть ручку негайно.
- Ніколи не тягніть косарку назад до себе, коли ви йдете. Якщо ви повинні відтягнути косарку від стіни або перешкоди, спочатку подивіться вниз і назад, щоб уникнути спотикання, а потім виконайте такі дії:
 - Зробіть крок назад від косарки, повністю витягнувши руки.
 - Переконайтеся, що ви добре тримаєте рівновагу та впевнено стоїте на ногах.
 - Повільно потягніть косарку назад, не більше ніж наполовину шляху до себе.
 - Повторюйте ці кроки в міру необхідності.
- Не експлуатуйте косарку, якщо ви перебуваєте під впливом алкоголю або медикаментів.
- Будьте напоготові; слідкуйте за тим, що ви робите. Послугуйтеся здоровим глуздом. Не використовуйте газонокосарку, коли ви втомились.

- Рукоятка керування мотором/лезом є запобіжним пристроєм. Ніколи не намагайтесь обходити його роботу. Це робить запобіжний пристрій неефективним і може призвести до травм через контакт із лезом, що обертається. Рукоятка керування мотором/лезом має рухатися легко в обох напрямках та автоматично повертатися в незадіяне положення, якщо відпустити її.
- Уникайте небезпечних середовищ – не використовуйте газонокосарки у вологих або мокрих місцях.
- Не використовувати в дощ.
- Завжди зберігайте стійке положення ніг. Ковзання та падіння можуть спричинити серйозні травми. Якщо ви відчуваєте, що втрачаєте опору, негайно відпустіть рукоятку керування мотором/лезом, і лезо припинить обертатися протягом трьох секунд.
- Зупиніть лезо, перетинаючи гравійні проїзди, тротуари або дороги.
- Якщо обладнання почне незвично вібрувати, вимкніть мотор і негайно виявіть причину. Вібрація зазвичай сигналізує про несправність.
 - Огляньте пристрій на наявність пошкоджень;
 - Замініть або відремонтуйте пошкоджені деталі, призначені для заміни користувачем.
 - Перед перевіркою та закріпленням деталей, якщо є незакріплені.
 - Ніколи не експлуатуйте косарку без встановленого і справного заднього щита, кришки вивантаження, мішка для трави, мульчувальної насадки, бічного випускного жолоба, рукоятки керування мотором/лезом або інших захисних пристроїв. Ніколи не використовуйте косарку з пошкодженими захисними пристроями. Недотримання цієї вимоги може призвести до серйозних травм.
- Якщо виникають ситуації, які не розглядаються в цьому посібнику, проявляйте обережність і розсудливість. Зверніться до сервісного центру для клієнтів EGO по допомогу.
- Акумуляторну батарею потрібно виняти з приладу, перш ніж викидати його.
- Акумулятори необхідно утилізувати безпечно.

РОБОТА НА СХИЛІ:

Схили є основним чинником, пов'язаним із нещасними випадками, спричиненими падінням унаслідок ковзання, що може призвести до серйозних травм. Завжди зберігайте стійке положення ніг на схилах. Експлуатація на схилах вимагає особливої обережності. Якщо ви відчуваєте незручність на схилі, не косіть на ньому.

Що слід робити:

- Косіть поперек схилів, ніколи не косіть вниз або вгору. Будьте надзвичайно обережні, змінюючи напрямки на схилі.
 - Остерігайтесь ям, колій, каміння, прихованих предметів або ударів, через які ви можете послизнутись або перечепитись. Висока трава може приховувати перешкоди.
- ### Що не слід робити:
- Не косіть біля обривів, канав або насипів; ви можете втратити стійкість або рівновагу.
 - Не косіть схили з ухилом більше 15 градусів.
 - Не косіть мокру траву. Нестійка постава може спричинити послизання.

СЕРВІС

⚠ ПОПЕРЕДЖЕННЯ. Компоненти мішка для трави, кришка вивідного механізму, бічний випускний жолоб, мульчувальна насадка і задній щит піддаються зносу та пошкодженню, що може призвести до відкриття рухомих деталей або відкидання предметів і збільшити ризик травмування. З міркувань безпеки часто перевіряйте всі компоненти та негайно замінійте пошкоджені деталі на однакові запасні частини, перелічені в цьому посібнику. Зв'яжіться з клієнтською службою EGO або найближчим сервісним центром EGO, і ремонт або заміну виконає кваліфікований технічний спеціаліст!

- Якщо вбудований вимикач захисту від перевантаження часто спрацьовує, зв'яжіться з клієнтською службою EGO або найближчим сервісним центром EGO.
- Не мийте косарку шлангом; уникайте потрапляння води в мотор та електричні з'єднання.
- Вийміть ключ і зберігайте газонокосарку, що не використовується, у приміщенні. Дайте мотору охолонути перед зберіганням у закритому приміщенні. Газонокосарка має зберігатися в сухому, високо розташованому або замкнутому місці, недоступному для дітей.
- Використовуйте для технічного обслуговування лише ідентичні запчастини, перелічені в цьому посібнику. Використання деталей, що не відповідають характеристикам оригінального обладнання, може призвести до неналежної роботи та поставити під загрозу безпеку.
- Вийміть або від'єднайте акумуляторну батарею перед обслуговуванням, чистенням або видаленням матеріалу з газонокосарки.
- Дотримуйтесь інструкцій із заміни аксесуарів.

- Підтримуйте руків'я сухими, чистими, без жиру і бруду.
- Щоб зменшити ризик пожежі, тримайте кришку мотора чистою від трави, листя та накопичення сміття.
- Часто перевіряйте кріпильні болти леза та мотора, чи вони як слід затягнуті. Також візуально перевіряйте, чи лезо не пошкоджене (наприклад, зігнуто, тріснуто або зношене). Замініть лезо лише на ідентичне запасне лезо, зазначене в цьому посібнику.
- Поводьтеся з косаркою обережно – тримайте лезо косарки гострим і чистим для найкращої та найбезпечнішої роботи. Леза газонокосарки гострі і можуть різати. Обгорніть лезо або одягніть рукавички та будьте особливо обережні під час його обслуговування.
- Ніколи не знімайте запобіжні пристрої та не втручайтеся в їх роботу. Регулярно перевіряйте їх правильну роботу. Ніколи не робіть нічого, щоб перешкоджати передбаченій роботі запобіжного пристрою або зменшити захист, який забезпечує запобіжний пристрій.
- Завжди зупиняйте мотор, перш ніж виконувати регулювання колеса або висоти різання.
- Після натраплення на сторонній предмет зупиніть мотор, вийміть ключ і ретельно перевірте косарку на наявність будь-яких пошкоджень. Відремонтуйте пошкодження перед експлуатацією косарки.
- Підтримуйте або замінійте етикетки безпеки та інструкцій, якщо це необхідно. Зв'яжіться з клієнтською службою EGO або найближчим сервісним центром EGO, і ремонт або заміну виконає кваліфікований технічний спеціаліст!
- **ЗБЕРЕЖІТЬ ЦЮ ІНСТРУКЦІЮ.** Часто переглядайте та використовуйте її, щоб навчати інших, хто може використовувати цей інструмент. Якщо ви надаєте комусь цей інструмент, надайте їм ці інструкції, щоб запобігти неналежному використанню виробу та можливим травмам.

UK

КОРИСТУВАННЯ І ДОГЛЯД ЗА АКУМУЛЯТОРОМ

- Щоб зберегти природні ресурси, правильно переробляйте та утилізуйте батареї. Цей виріб містить літій-іонні батареї. Місцеві чи національні закони забороняють викидання літій-іонних батарей у звичайний смітник. Зверніться до свого місцевого органу влади, що займається відходами, щоб отримати інформацію щодо наявних можливостей переробки та/або утилізації.
- Після вимяння акумуляторної батареї для утилізації

або переробки вкриті клеми акумулятора міцною клейкою стрічкою. Не намагайтеся знищити або розібрати акумуляторну батарею або видалити будь-які її компоненти. Літій-іонні батареї слід утилізувати належним чином. Також ніколи не торкайтеся клем металевими предметами та/або частинами тіла, оскільки це може призвести до короткого замикання. Тримайте подалі від дітей. Недотримання цих попереджень може призвести до пожежі та/або серйозних травм.

- **У НАДТО ВАЖКИХ УМОВАХ ЕКСПЛУАТАЦІЇ З АКУМУЛЯТОРА МОЖЕ ВИТІКАТИ РІДИНА; НЕ ДОТОРКАЙТЕСЯ ДО НЕЇ. ЯКЩО ВИПАДКОВО ВИ ВСЕ Ж ТОРКНУЛИСЯ ЇЇ, СЛІД ПРОМИТИ ЦЕ МІСЦЕ ВОДОЮ. ЯКЩО РІДИНА ПОТРАПИЛА В ОЧІ, СЛІД ТАКОЖ ЗВЕРНУТИСЯ ДО ЛІКАРЯ.** Рідина, яка виступає з акумулятора, може спричинити подразнення або опіки.

ТЕХНІЧНІ ХАРАКТЕРИСТИКИ

Номер моделі	LM2020E	LM2020E-SP
Самохідна система	Ne	Taip
Напруга	56 В	56 В
Швидкість холостого ходу	3000 /ХВ.	3000 /ХВ.
Висота зрізання	25-95 mm	25-95 mm
Діапазон рекомендованих робочих температур:	0°C–40°C	0°C–40°C
Діапазон рекомендованих температур зберігання:	-20°C–70°C	-20°C–70°C
Положення висоти зрізання	6	6
Розмір деки	51 cm	51 cm
Ширина різання	50 cm	50 cm
Об'єм мішка для трави	60 л	60 л
Вага косарки (без акумуляторної батареї, насадка для мульчування)	24,4 кг	27,2 кг
Модель леза	AB2001	AB2001
Вимірний рівень звукової потужності L _{WA}	91,5 дБ(А) K=1,80 дБ(А)	91,0 дБ(А) K=1,89 дБ(А)

Рівень звукового тиску на місці вуха оператора L_{pA} $K=3$ дБ(А)	79,5 дБ(А)	79,2 дБ(А)	
Гарантований рівень звукової потужності L_{WA} (відповідно до 2000/14/ЕС)	93 дБ(А)	93 дБ(А)	
Рівень вібрації a_h ($K = 1,5 \text{ м/с}^2$)	Ліва ручка	$\leq 2,5 \text{ м/с}^2$	$\leq 2,5 \text{ м/с}^2$
	Права ручка	$\leq 2,5 \text{ м/с}^2$	$\leq 2,5 \text{ м/с}^2$
Гальмо леза	Так	Так	

- Вказане загальне значення вібрації виміряне за стандартним методом тестування і може використовуватися для порівняння одного інструмента з іншим;
- Заявлене сумарне значення вібрації може також використовуватись для попередньої оцінки впливу.

ПРИМІТКА. Емісія вібрації під час фактичного використання електроінструмента може відрізнитися від заявленої величини, у якій використовується інструмент. Щоб захистити оператора, користувач повинен вдягати рукавички та захисні навушники в реальних умовах використання.

СПИСОК ПРЕДМЕТІВ, ЩО ВХОДЯТЬ У КОМПЛЕКТ

НАЗВА ДЕТАЛІ	КІЛЬКІСТЬ
Газонокосарка	1
Мішок для трави	1
Каркас мішка для трави	1
Мульчувальна насадда	1
Бічний випускний жолоб	1
Запобіжний ключ	1
Посібник користувача	1

ОПИС

ОЗНАЙОМЛЕННЯ З ГАЗОНОКОСАРКОЮ

(рис. А, В, С і D & E)

- 1 Засувний перемикач (важіль перемикання)
- 2 Ручка
- 3 Запобіжна кнопка
- 4 Тригер самохідної системи
- 5 Затискач рукоятки
- 6 Мішок для трави

- 7 Важіль регулювання висоти різання
- 8 Заднє колесо
- 9 Бічні випускні дверцята
- 10 Дека косарки
- 11 Кожух деки косарки
- 12 Переднє колесо
- 13 Світлодіодні фари
- 14 Кришка акумулятора
- 15 Задня ручка
- 16 Важіль швидкого регулювання
- 17 Задні випускні дверцята
- 18 Бічна рейка
- 19 Важіль швидкості самохідної системи
- 20 Задній щит
- 21 Індикатор живлення
- 22 Кнопка перемикання світлодіодних фар
- 23 Кнопка звільнення батареї
- 24 Гніздо для запобіжного ключа
- 25 Насадка для мульчування
- 26 Бічний випускний жолоб

ЕКСПЛУАТАЦІЯ

ЗБИРАННЯ МІШКА ДЛЯ ТРАВИ

- 1) Посуньте мішок для трави на його каркас (рис. F).
- 2) Установіть верхні затискачі на каркас (рис. G), а потім установіть два бокові затискачі. Установіть нижній затискач останнім.
- 3) Повністю зібраний мішок для трави показано на рис. H.

РЕГУЛЮВАННЯ СКЛАДАНОЇ РУЧКИ

⚠ ПОПЕРЕДЖЕННЯ. Не намагайтеся запустити косарку, доки рукоятка не буде зафіксована в одному з трьох попередньо встановлених робочих положень (ВЕРХНЄ РОБОЧЕ ПОЛОЖЕННЯ, СЕРЕДНЄ РОБОЧЕ ПОЛОЖЕННЯ та НИЖНЄ РОБОЧЕ ПОЛОЖЕННЯ).

Ваша косарка поставляється з ручкою в компактному ЗАБЛОКОВАНОМУ ПОЛОЖЕННІ ДЛЯ ЗБЕРІГАННЯ (рис. I).

- 1) Витягніть дві ручки швидкого регулювання і поверніть на 90°, щоб звільнити ручку із ЗАБЛОКОВАНОГО ПОЛОЖЕННЯ ДЛЯ ЗБЕРІГАННЯ.

UK

- 2) Підніміть ручку зі складеного положення, потім відпустіть важіль. Акуратно рухайте рукоятку вгору, доки не почуєте і не відчуваєте, що фіксатор закріплено в одному з різних положень, показаних на рис. J.

Рис. J – див. опис деталей нижче:

J-1	Заблоковане положення для зберігання
J-2	Положення для кріплення/видалення мішка для трави
J-3	Верхнє робоче положення
J-4	Середнє робоче положення
J-5	Нижнє робоче положення

КРІПЛЕННЯ/ЗНЯТТЯ МІШКА ДЛЯ ТРАВИ/ НАСАДКИ ДЛЯ МУЛЬЧУВАННЯ/БІЧНОГО ВИПУСКНОГО ЖОЛОБА

▲ ПОПЕРЕДЖЕННЯ. Ніколи не регулюйте косарку, не зупинивши спочатку мотор, не вийнявши запобіжний ключ і не зачекавши, доки лезо не припинить обертання.

ПРИМІТКА. Перш ніж косити, прикріпіть до газонокосарки будь-яку насадку.

■ Установлення/зняття мішка для трави (рис. K)

Відрегулюйте ручку у відповідному робочому положенні. Підніміть задні випускні дверцята і повісьте мішок для трави на поворотний стрижень. Щоб зняти, просто підніміть мішок для трави вгору з поворотного стрижня. Нарешті, відпустіть задні випускні дверцята.

ПРИМІТКА. Перш ніж прикріпити трав'яний мішок до косарки, зніміть попередню встановлену насадку для мульчування з косарки.

■ Установлення/зняття насадки для мульчування (рис. L)

Підніміть задні випускні дверцята та вставте насадку для мульчування в косарку. Щоб зняти, просто витягніть. Нарешті, відпустіть задні випускні дверцята.

■ Кріплення/зняття бічного випускного жолоба (рис. M)

Підніміть бічні випускні дверцята. Вирівняйте гніздо випускного жолоба з ручкою випускних дверцят і акуратно звільніть бічні випускні дверцята, щоб вони поверталися навколо поворотного стрижня, доки вони міцно не спиратимуться на випускний жолоб. Щоб зняти, підніміть бічні випускні

дверцята, підніміть бічний випускний жолоб, зніміть кріпильну ручку дверцят.

Рис. M – див. опис деталей нижче:

M-1	Бічні випускні дверцята
M-2	Кріпильна ручка
M-3	Кріпильний отвір
M-4	Бічний випускний жолоб
M-5	Шарнір

ПРИМІТКА. Мульчувальну насадку необхідно встановлювати, коли бічний випускний жолоб приєднано.

РЕГУЛЮВАННЯ ВИСОТИ ЗРІЗАННЯ (рис. N)

▲ ПОПЕРЕДЖЕННЯ. Під час регулювання висоти деки тримайте ноги подалі від неї. Косарка може бути встановлена на 6 положень із висотою різання від 25 мм до 95 мм. Виберіть правильну висоту різання відповідно до типу та стану трави.

ПРИМІТКА. Переміщуючи інструмент, переконайтеся, що висота зрізання встановлена в положення 3 або вище. Якщо цього не робити, це може призвести до пошкодження леза.

УСТАНОВЛЕННЯ І ВИДАЛЕННЯ АКУМУЛЯТОРА (рис. O)

Використовуйте лише акумулятори та зарядні пристрої, перелічені на рис. A.

ЗАРЯДІТЬ ПЕРЕД ПЕРШИМ ВИКОРИСТАННЯМ.

▲ ПОПЕРЕДЖЕННЯ. Якщо будь-які частини пошкоджені або відсутні, не намагайтеся прикріпити акумулятор до косарки або використовувати її, доки не буде замінено зламані або відсутні деталі. Недотримання цієї вимоги може призвести до серйозних травм.

■ Установлення

Засуньте акумуляторну батарею в батарейний відсік, доки не почуєте «клацання».

■ Видалення

Натисніть кнопку звільнення батареї в батарейному відсіку.

Рис. O – див. опис деталей нижче:

O-1	Гніздо для запобіжного ключа
O-2	Запобіжний ключ
O-3	Кнопка звільнення батареї

ПРИМІТКА. Перед використанням переконайтеся, що защіпка на косарці стала на місце і акумулятор надійно прикріплений до косарки.

ЗАПУСК/ЗУПИНКА КОСАРКИ

▲ ПОПЕРЕДЖЕННЯ. Використання газонокосарки може призвести до потрапляння сторонніх предметів в очі, що може спричинити серйозне пошкодження очей. Завжди носіть захисні окуляри під час роботи косарки або під час виконанні будь-яких регулювань чи ремонту косарки.

▲ ПОПЕРЕДЖЕННЯ. Переконайтеся, що інші люди та домашні тварини залишаються на відстані принаймні 30 м від косарки, коли вона використовується.

▲ ПОПЕРЕДЖЕННЯ. Ніж продовжуватиме обертатись протягом кількох секунд після вимкнення косарки. Дайте мотору/лезу зупинити обертання, перш ніж запустити його знову. Не вимикайте і не вмикайте косарку швидко.

ЗАПОБІЖНИЙ КЛЮЧ

Щоб запобігти випадковому запуску або несанкціонованому використанню акумуляторної косарки, у її конструкції передбачено знімний запобіжний ключ. Косарка повністю вимкнена, коли запобіжний ключ вийнято з косарки.

▲ НЕБЕЗПЕКА. Леза, що обертаються, можуть призвести до серйозних травм. Щоб запобігти серйозним травмам, вийміть запобіжний ключ, коли косарка залишається без нагляду, або під час регулювання, очищення, обслуговування, транспортування, підйому або зберігання косарки.

ПРИМІТКА. Мотор не зможе запуститися, якщо:

- Ручка не зафіксована в одному з трьох робочих положень, див. РЕГУЛЮВАННЯ СКЛАДАНОЇ РУЧКИ.
- Бічні рейки повністю висунуто (рис. P).
- Обидва зелені затискачі для ручки надійно закриті (рис. Q).

Q-1	Лінія індикаторів
-----	-------------------

▲ ЗАСТЕРЕЖЕННЯ. Не намагайтесь обійти роботу запобіжної кнопки та засувного перемикача.

Запуск

- 1) Прикріпіть акумуляторну батарею до косарки, вставте запобіжний ключ у гніздо для ключа та закрийте кришку акумулятора (рис. O).

- 2) Як показано на рис. R, натисніть запобіжну кнопку.

- 3) Натиснувши кнопку перемикача, витягніть засувку вгору до ручки та відпустіть запобіжну кнопку (рис. S).

Зупинка

- 1) Повністю відпустіть засувний перемикач.
- 2) Електричне гальмо в механізмі автоматичного гальмування зупинить обертання леза протягом 3 секунд після того, як засувний перемикач відпущено.

САМОХІДНА СИСТЕМА ЗІ ЗМІННОЮ ШВИДКІСТЮ (тільки модель LM2020E-SP)

Косарка LM2020E-SP обладнана самохідною системою зі змінною швидкістю. Ця система не залежить від перемикача ввімкнення/вимкнення леза; вона не залежить від обертання леза.

Щоб керувати системою без обертання леза, потягніть тригер самохідної системи до ручки.

Щоб вимкнути самохідну систему, відпустіть цей тригер.

Система має змінну швидкість. Щоб збільшити швидкість, перемістіть важіль керування швидкістю руху вперед. Щоб зменшити швидкість, перемістіть важіль керування швидкістю руху назад.

Для роботи з обертовим лезом для зрізання:

1. Запустіть косарку.
2. Тримаючи засувний перемикач на ручці лівою рукою, витягніть тригер самохідної системи до рукоятки правою рукою.
3. Тримайте обидва перемикачі та тригер самохідної системи одночасно притиснутими до рукоятки правою рукою, а лівою рукою регулюйте швидкість руху самохідної системи, щоб вибрати потрібну швидкість.

ПОПЕРЕДЖЕННЯ. Щоб зменшити ризик травми, ніколи не намагайтесь обійти роботу перемикача або самохідної системи. Використовуйте самохідний рух тільки за його прямим призначенням.

СВІТЛОДІОДНІ ФАРИ (рис. A-13)

Натисніть кнопку перемикача (рис. C-22), щоб увімкнути/вимкнути світлодіодні фари спереду на акумуляторному відсіку.

ІНДИКАТОР ЖИВЛЕННЯ НА КОСАРЦІ (рис. U)

Косарка оснащена індикатором живлення, який вказує рівень заряду батареї та робочий стан косарки. Індикатор живлення загоряється, коли лезо обертается або коли світлодіодні фари ввімкнено.

Індикатор живлення на косарці	Значення	Дія
Світиться зеленим	Косарка працює нормально; батарея має принаймні 15% заряду	Н/З
Світиться червоним	Низький заряд батареї	Вимкніть косарку і зарядіть акумулятор.
Блимає червоним	Батарея майже розряджена	Вимкніть косарку і зарядіть акумулятор.
Світиться оранжевим	Косарка або акумуляторна батарея перегріта	Вийміть батарею з косарки, перемістіть їх у тінь і дайте їм охолонути принаймні 15 хвилин
Блимає оранжевим	Косарка перевантажена	Уповільніть темп або підвищте висоту різання, щоб зменшити навантаження

ЗАХИСТ КОСАРКИ ВІД ПЕРЕВАНТАЖЕННЯ

Щоб запобігти перевантаженню, не намагайтесь одночасно видаляти занадто багато трави. Уповільніть швидкість руху або підніміть висоту вирізання.

Ваша косарка має вбудований захист контуру від перевантаження. Коли косарка перевантажена, мотор зупиняється, а індикатор живлення на косарці блимає оранжевим. Вийміть акумуляторну батарею з косарки. Перевірте, чи трава зібралася під декою, і, якщо потрібно, очистьте її, потім установіть акумулятор і знову запустіть косарку.

UK

ЗАХИСТ БАТАРЕЇ ВІД ВИСОКОЇ ТЕМПЕРАТУРИ

Акумуляторна батарея утворює тепло під час роботи. Тепло розсіюється повільніше в спеку. Якщо під час роботи температура батареї перевищить 70 °C, контур захисту негайно вимкне косарку, щоб захистити акумулятор від пошкоджень. Індикатор живлення на косарці горітиме оранжевим, а індикатор на батареї блиматиме оранжевим. Відпустіть засувку, зачекайте, доки акумулятор не охолоне приблизно до 67 °C, а потім знову запустіть косарку.

ТЕХНІЧНЕ ОБСЛУГОВУВАННЯ

▲ ПОПЕРЕДЖЕННЯ. Щоб уникнути серйозних травм, завжди виймайте запобіжний ключ і акумуляторну батарею з косарки, перш ніж чистити або виконувати будь-яке технічне обслуговування.

▲ ПОПЕРЕДЖЕННЯ. Використовуйте для технічного обслуговування лише ідентичні запчастини. Використання будь-яких інших частин створює небезпеку або може призвести до поломки виробу. Для гарантування безпеки та надійності всі ремонтні роботи повинен проводити кваліфікований технічний спеціаліст.

ЧИЩЕННЯ КОСАРКИ

▲ ПОПЕРЕДЖЕННЯ. Під час обслуговування або транспортування косарки завжди виймайте ключ безпеки та акумуляторну батарею.

Після кожного використання слід очистити нижню частину деки газонокосарки в міру накопичення трави, листя, бруду або іншого сміття. Це накопичення є небажаним, оскільки воно сприятиме утворенню іржі і корозії на металевих деталях та зменшить ефективність косарки.

Видаліть накопичену траву та листя на приводному валу або навколо нього (LM2020E-SP) та вентиляторі мотора (не використовуйте воду). Протирайте косарку вологою тканиною.

ЗНЯТТЯ/УСТАНОВЛЕННЯ ЛЕЗА

▲ ПОПЕРЕДЖЕННЯ. Завжди захищайте руки, одягнувши товсті рукавички або обгорнувши ріжучі кромки ганчірками чи іншими матеріалами під час виконання будь-якого технічного обслуговування леза косарки.

■ **Зняття леза (рис. W)**

ПРИМІТКА. Якщо болт обертається з валом мотора під час відкручування болта, поверніть вентилятор вручну, щоб вирівняти прорізи у вентиляторі з отворами в лезі, і помістіть інший металевий стрижень у вирівняні отвори.

■ **Установлення леза**

Дотримуючись послідовності збирання, наведеної на рисунку V, з лопаттю вентилятора, спрямованою до дека, і друкованою стороною назовні, вирівняйте наскрізні отвори у вентиляторі з отворами в лопаті (рис. X), а потім затягніть лезо, як показано на рис. X.

Рис. V & W див. опис деталей нижче:

V-1	Вентилятор	V-5	Болт
V-2	Внутрішній фланець	W-1	Стабілізатор 1
V-3	Лезо	W-2	Стабілізатор 2
V-4	Зовнішній фланець	W-3	Ключ на 14 мм

ПРИМІТКА. Рекомендований момент затягування болтів леза – 49–59 Нм.

ЗБЕРІГАННЯ КОСАРКИ

- Вийміть акумуляторну батарею з косарки та зберігайте її в прохолодному, сухому та чистому місці. Не зберігайте її поруч із корозійними матеріалами, такими як добрива або кам'яна сіль.
- Зберігайте косарку в критому, замкненому, прохолодному та сухому місці, недоступному для дітей.
- Не накривайте газонокосарку суцільним листом пластику. Пластикові накриття накопичують вологу навколо косарки, що спричиняє іржу та корозію.
- Косарку можна зберігати у вертикальному або горизонтальному положенні (рис. Z).

⚠ ПОПЕРЕДЖЕННЯ. Якщо косарка починає перевертатись із вертикального положення, це може спричинити пошкодження косарки або травмування. Косарка завжди має стояти надійно та бути недоступною для дітей, коли вона перебуває у вертикальному положенні. Якщо це можливо, покладіть її в горизонтальне положення для зберігання.

Захист довкілля



Не викидайте електричне обладнання, зарядний пристрій та батареї/акумулятори в побутові відходи!

Відповідно до європейського закону 2012/19/ЄС електричне та електронне обладнання, яке більше не придатне для використання, і згідно з європейським законом 2006/66/ЄС дефектні або використані акумуляторні батареї мають збиратись окремо.

Якщо електричний пристрій утилізується на сміттєзвалищі, небезпечні речовини можуть вилетіти в ґрунтові води та потрапити в харчовий ланцюг, що може зашкодити вашому здоров'ю та самопочуттю.

УСУНЕННЯ НЕСПРАВНОСТЕЙ

⚠ ПОПЕРЕДЖЕННЯ. Під час обслуговування або транспортування косарки завжди виймайте ключ безпеки та акумуляторну батарею. Завжди захищайте руки, одягнувши товсті рукавички або обгорнувши ріжучі кромки ганчірками чи іншими матеріалами під час виконання будь-якого технічного обслуговування леза косарки.

НЕСПРАВНІСТЬ	ПРИЧИНА	ВИРІШЕННЯ
Косарка не запускається	<ul style="list-style-type: none"> ■ Акумуляторна батарея розряджена. ■ Акумуляторна батарея не встановлена на місце в батарейному відсіку. ■ Акумулятор або схема косарки занадто гарячі. (Індикатор живлення на косарці світитиметься оранжевим протягом 10 секунд) ■ Бічні рейки не висунуті до максимальної довжини, а затискачі не зафіксовано на місці. ■ Ручка не встановлена в одному з трьох робочих положень. ■ Дека косарки забита травою та сміттям. 	<ul style="list-style-type: none"> ■ Зарядіть акумуляторну батарею. ■ Прикріпіть акумулятор до косарки; натисніть на нього, доки не почуєте клацання ■ Дайте акумуляторній батареї або косарці охолонути, доки температура не опуститься нижче 67°C. ■ Повністю витягніть ручку та зафіксуйте обидва затискачі. ■ Установіть рукоятку в одне з трьох робочих положень. ■ Очистьте деку косарки та переконайтеся, що лезо має свободу руху.
Косарка рухається нерівномірно	<ul style="list-style-type: none"> ■ Лезо затупилося. ■ Висота різання не встановлена належним чином. ■ Лезо зібрано неправильно. 	<ul style="list-style-type: none"> ■ Заточіть або замініть лезо. ■ Підніміть деку, щоб установити вищу висоту зрізання. ■ Зберіть лезо, дотримуючись вказівок у розділі «УСТАНОВЛЕННЯ ЛЕЗА» в цьому посібнику.

НЕСПРАВНІСТЬ	ПРИЧИНА	ВИРІШЕННЯ
Косарка зупиняється під час косіння	<ul style="list-style-type: none"> ■ Акумуляторна батарея розряджена. ■ Косарка перебуває в стані перевантаження. ■ Дека косарки забита травою та сміттям. ■ Акумулятор або схема косарки занадто гарячі. (Індикатор живлення на косарці світитиметься оранжевим протягом 10 секунд.) ■ Бічна рейка трохи втягнута за рахунок сили натискання на ручку. 	<ul style="list-style-type: none"> ■ Зарядіть акумуляторну батарею. ■ Підніміть висоту різання або сповільніть косіння. ■ Очистьте деку косарки. Підніміть висоту різання або косіть вузькою смугою. ■ Дайте акумуляторній батареї або косарці охолонути, доки температура не опуститься нижче 67°C. ■ Розблокуйте затискачі. Повністю висуньте бічні рейки та знову зафіксуйте затискачі.
Косарка не мульчує правильно	<ul style="list-style-type: none"> ■ Обрізки мокрої трави приклеюються до нижньої поверхні дека. ■ Косарка встановлена для зрізання занадто великої кількості трави за раз. 	<ul style="list-style-type: none"> ■ Зачекайте, доки трава не висохне, перед косінням. ■ Підніміть деку, щоб установити вищу висоту зрізання.
Існує надмірна вібрація	<ul style="list-style-type: none"> ■ Ріжуче лезо не закріплено. ■ Ріжуче лезо незбалансоване. ■ Ріжуче лезо зігнуто. ■ Вал мотора зігнуто. 	<ul style="list-style-type: none"> ■ Затягніть болт леза. ■ Балансуйте лезо, дотримуючись інструкцій. ■ Замініть лезо. ■ Зверніться до сервісного центру.
Затискачі для фіксації ручки не можуть бути закриті у їхньому положенні.	<ul style="list-style-type: none"> ■ Бічні рейки не висунуто повністю. 	<ul style="list-style-type: none"> ■ Повністю висуньте бічні рейки, а потім зафіксуйте затискачі.

ГАРАНТІЯ

ПРАВИЛА ГАРАНТІЇ EGO

Будь ласка, відвідайте веб-сайт egopowerplus.com для отримання повних умов гарантійної політики EGO.

UK

ПРОЧЕТЕТЕ ВСИЧКИ ИНСТРУКЦИИ!



ПРОЧЕТЕТЕ РЪКОВОДСТВОТО НА ОПЕРАТОРА

▲ ПРЕДУПРЕЖДЕНИЕ: За да осигурите безопасността и надеждността, всички поправки и подмени трябва да се извършват от квалифициран сервизен техник.

Предназначение и предсказуема злоупотреба: Продуктът е предназначен за косене на трева единствено в домашни градини. Той не трябва да бъде използван за косене на необичайно висока, суха или мокра трева, примерно трева за пасище или да се раздробяват листа. Продуктът трябва да бъде използван само за предназначенията цели. Всяка друга употреба се смята за случай на злоупотреба.

СИМВОЛИ ЗА БЕЗОПАСНОСТ

Целта на символите за безопасност е да превличат вниманието към възможни опасности. Символите за безопасност и обясненията към тях заслужават вашето повишено внимание и осъзнаване. Символите за безопасност сами по себе си не елиминират каквато и да е опасност. Инструкциите и предупрежденията, които предоставят не са заместители за подходящите мерки за предотвратяване на инцидент.

▲ ПРЕДУПРЕЖДЕНИЕ: Уверете се, че сте прочели и осъзнали всички инструкции за безопасност в това Ръководство на оператора, включително всички известяващи символи за безопасност, като **“ОПАСНОСТ,” “ПРЕДУПРЕЖДЕНИЕ,”** и **“ВНИМАНИЕ”** преди да използвате този инструмент. Неспазването на всички инструкции изброени долу може да доведе до електрически шок, пожар и/или сериозно нараняване.

ЗНАЧЕНИЕ НА СИМВОЛИТЕ

СИМВОЛ СИГНАЛИЗИРАЩ ЗА БЕЗОПАСНОСТ: Показва **ОПАСНОСТ, ПРЕДУПРЕЖДЕНИЕ, ИЛИ ВНИМАНИЕ.** Могат да бъдат използвани във връзка с други символи или пиктограми.

▲ ПРЕДУПРЕЖДЕНИЕ: Експлоатацията на всички електрически инструменти, може да доведе до изхвърляне на чужди предмети към вашите очи, което може да доведе до сериозно нараняване на очите. Преди започване на работа с електроинструмент, винаги носете предпазни очила със странични екрани и екран за защита на цялото лице, когато е необходимо. Препоръчваме ви защитна маска осигуряваща широко зрително поле, която да се използва над очилата или стандартни предпазни очила със странични екрани.

ИНСТРУКЦИИ ЗА БЕЗОПАСНОСТ

Тази страница изобразява и описва символите за безопасност, които може да се появят по този продукт. Прочетете, осъзнайте и следвайте всички инструкции по машината преди предприемане на сглобяване или работа.

	Сигнал за безопасност	Предпазни мерки, които засягат Вашата безопасност.
	ПРЕДУПРЕЖДЕНИЕ: Прочетете ръководството на оператора	За намаляване на опасността от нараняване, потребителят трябва да прочете и разбере ръководството на оператора преди използването на този продукт.
	Пазете се от остри ножове.	Ножовете продължават да се въртят след като моторът е изключен - извадете активиращото устройство преди поддръжка Изключете и извадете разглобяемата батерия (или активиращото устройство) преди регулиране и почистване.
	Дръжте околните хора надалеч	Уверете се, че други хора и домашни любимци спазват поне 30 м разстояние от косачката, когато е в употреба.
	Дръжте крака и ръка настрана	Дръжте крака и ръка настрана
	CE	Този продукт е в съответствие с приложимите директиви на ЕС.
	UKCA	Този продукт е в съответствие с приложимото законодателство на Великобритания.

BG

350

56 ВОЛТА ЛИТИЕВО-ЙОННА БЕЗКАБЕЛНА КОСАЧКА - LM2020E / LM2020E-SP

	WEEE	Отпадъчните електрически продукти не трябва да бъдат изхвърляни заедно с домакинския отпадък. Отнесете го до упълномощено място за рециклиране.
	Шум	Гарантирано ниво на мощност на звука. Звуковите емисии към околната среда са в съответствие с директивите на европейската общност.
IPX4	IP символ	Защита от навлизане на вода степен 4.
V	Волта	Напрежение
A	Ампера	Ток
Hz	Херца	Честота (цикъла за минута)
W	Вата	Мощност
min	Минуты	Време
	Променлив ток	Вид ток
	Постоянен ток	Вид или характеристика на тока
n ₀	Скорост без натоварване	Скорост на въртене без товар
... /min	на минута	Обороти в минута

ОБЩИ ПРЕДУПРЕЖДЕНИЯ ЗА БЕЗОПАСНОСТ НА ЕЛЕКТРИЧЕСКИ ИНСТРУМЕНТИ

▲ ПРЕДУПРЕЖДЕНИЕ: Прочетете всички предупреждения за безопасност, инструкции, илюстрации и спецификации предоставени с този електрически инструмент. Неспазването на всички инструкции изброени долу може да доведе до токов удар, пожар и/или сериозно нараняване.

ЗАПАЗЕТЕ ВСИЧКИ ПРЕДУПРЕЖДЕНИЯ И ИНСТРУКЦИИ ЗА БЪДЕЩА СПРАВКА.

Терминът "Електрически инструмент" в предупрежденията се отнася до захранвани от мрежата (кабелни) електрически инструменти или захранвани чрез батерия (безкабелни) електрически инструменти.

БЕЗОПАСНОСТ В РАБОТНАТА ЗОНА

- **Поддържайте работната зона чиста и добре осветена.** Разхвърляни или тъмни работни зони пораждат инциденти.
- **Не работете с електрически инструменти в експлозивна атмосфера, като например в присъствието на запалими течности, газ или прах.** Електрическият инструмент създава искра, която може да възпламени праха или изпаренията.
- **Дръжте на разстояние децата и страничните лица, докато работите с електрически инструмент.** Разсейването може да причини загуба на контрол.

ЕЛЕКТРИЧЕСКА БЕЗОПАСНОСТ

- **Щепселите на електрическия инструмент трябва да съответстват на контакта. Никога не модифицирайте щепсела по какъвто и да е начин. Не използвайте какъвто и да е адаптер със заземени електрически инструменти.** Немодифицираните щепсели и съответстващите контакти ще намалят риска от електрически шок
- **Избягвайте контакт на тялото със заземени повърхности, като тръби, радиатори, кухненски печки и хладилници.** Съществува повишена опасност от токов удар, ако тялото Ви е заземено.
- **Не излагайте електрическите инструменти на дъжд или влажни условия.** Навлизането на вода в електрическия инструмент ще увеличи риска от токов удар.
- **Не злоупотребявайте с кабела.** Никога не използвайте кабела за пренасяне, изтегляне или изключване от контакта на електрическия инструмент. Дръжте кабела настрана от топлина, масло, остри ръбове или движещи се части. Повредени или оплетени кабели увеличават риска от електрически удар.
- **Когато работите с електрически инструмент на открито, използвайте удължителен кабел подходящ за употреба на открито.** Употребата на кабел подходящ за употреба на открито намалява риска от електрически удар.

BG

- Ако работата с електрическия инструмент на влажно място е неизбежна, използвайте захранване с дефектнотокова защита (RCD). Употребата на RCD намалява риска от токов удар.

ЛИЧНА БЕЗОПАСНОСТ

- Внимавайте, гледайте какво правите и използвайте здрав разум, когато работите с електрически инструмент. Не използвайте електрически инструмент, когато сте уморени или когато сте под влияние на наркотици, алкохол или лекарства. Момент невнимание по време на работата с електрически инструмент, може да доведе до сериозно лично нараняване.
- Използвайте лични предпазни средства. Винаги носете защита за очите. Защитно оборудване като прахови маски, не плъзгащи се безопасно обувки, твърда каска или защита за слуха използвана при подходящи условия ще намали риска от лични наранявания.
- Предотвратете непреднамерено пускане. Уверете се, че ключът е в изключена позиция, преди да свържете към захранване и/или батерия, повдигайки или носейки инструмента. Носейки инструмента, докато пръстът ви е на спуська или подаването на захранване на инструменти, които са с включен прекъсвач е предпоставка за инциденти.
- Извадете всеки регулиращ ключ или гаечен ключ, преди да включите захранването. Гаечен или друг ключ оставен закачен към въртящите се части на електрическия инструмент, може да доведе до лично нараняване.
- Не се протягайте. Запазете правилна стойка и баланс по всяко време. Това позволява по-добър контрол върху електрическия инструмент в непредвидени ситуации.
- Облечете се подходящо. Не носете свободни дрехи или накити. Дръжте косата, дрехите и ръкавиците далеч от движещи се части. Отпуснати дрехи, бижута или дълга коса, могат да бъдат хванати в движещите се части.
- Ако са предоставени устройства за свързване на прахоуловител или съоръжения за събиране, уверете се, че те са свързани и са правилно използвани. Употребата на устройства за прах може да намали рисковете свързани с прах.
- Не позволявайте на рутинността придобита от честата употреба на инструмента да позволи да станете небрежни и да игнорирате принципите за безопасност на инструмента. Небрежно действие може да причини сериозно нараняване за части от секундата.

BG

УПОТРЕБА И ГРИЖА ЗА ЕЛЕКТРИЧЕСКИЯ ИНСТРУМЕНТ

- Не пресилвайте електрически инструмент. Използвайте правилния електрически инструмент за вашата работа. Правилният електрически инструмент ще свърши работата по-добре и по-безопасно при капацитета за който е проектиран.
- Не използвайте електрическия инструмент ако ключът не го включва или изключва. Всеки електрически инструмент, който не може да бъде контролиран от ключа е опасен и трябва да бъде поправен.
- Разкачете щепсела от захранването и/или батерията от електрическия инструмент, преди да извършите настройки, смяна на аксесоари или съхраняване на инструментите. Подобни превантивни мерки за безопасност намаляват риска от стартиране на инструмента инцидентно.
- Дръжте свободния електрически инструмент извън достъпа до деца и не позволявайте хора, които не са запознати с електрическия инструмент или тези инструкции да работят с него. Електрическите инструменти са опасни в ръцете на необучени потребители.
- Поддръжка на електрически инструменти и аксесоари. Проверете за разместване или блокиране на подвижни части, счупване на части, и всякакви други условия, които могат да повлияят на работата на електрическия инструмент. При повреда ремонтирайте инструмента преди употреба. Много инциденти са причинени от лошо поддържани електрически инструменти.
- Дръжте режещите инструменти остри и чисти. Правилно поддържани режещи инструменти, с остри режещи ръбове е по-малко вероятно да се заклещат и по-лесно се контролират.
- Използвайте електрическия инструмент, аксесоарите, частите на инструмента и т.н в съответствие с тези инструкции, като вземете предвид условията на работа и вида работа, която ще бъде извършвана. Употребата на електрическия инструмент за дейности различни от предназначените може да доведе до опасни ситуации.
- Дръжте ръкохватките и повърхностите за захващане сухи, чисти и без масло и грес. Хлъзгавите ръкохватки и места за захващане могат да доведат до небезопасно боравене и/или загуба на контрол на инструмента.

УПОТРЕБА И ГРИЖА ЗА ИНСТРУМЕНТ С БАТЕРИЯ

- Презареждайте само със зарядното устройство определено от производителя. Зарядно устройство, което е подходящо за един вид акумулаторна батерия може да създаде опасност от пожар, когато се използва с друга акумулаторна батерия.
- Използвайте електрически инструменти само със специфично обозначени акумулаторни батерии. Използването на всяка друга акумулаторна батерия може да създаде риск от нараняване и пожар.
- Когато акумулаторните батерии не са в употреба ги дръжте на разстояние от други метални обекти, като кламери, монети, ключове, пирони, отвертки или други малки метални предмети, които могат да направят свързване между клемите. Свързване на късо на клемите на батерията може да причини изгаряне или пожар.
- При условия на злоупотреба, може да се изхвърли течност от батерията. Избягвайте контакт. В случай на инцидентен контакт измийте с вода. Ако течността влезе в контакт с очите, потърсете допълнително медицинска помощ. Течността изхвърлена от батерията може да причини раздразнение или изгаряния.
- Не използвайте акумулаторна батерия или инструмент, които са повредени или модифицирани. Повредените или модифицираните батерии може да проявят непредсказуемо поведение, което да доведе до пожар, експлозия или риск от нараняване.
- Не излагайте батерията или инструмента на огън или прекомерна температура. Излагане на огън или температури над 130 °C може да причини експлозия.
- Следвайте всички инструкции за зареждане и не зареждайте батерията или инструмента извън температурния обхват зададен в инструкциите. Неправилното зареждане или зареждане извън определения температурен обхват може да повреди батерията и да повиши риска от пожар.

ОБСЛУЖВАНЕ

- Обслужвайте вашия електрически инструмент чрез квалифициран техник, като използвате само идентични резервни части. Това ще осигури поддържането на безопасност на електрическия инструмент.

- Никога не поправяйте повредени акумулаторни батерии. Ремонтът на акумулаторни батерии трябва да бъде извършван от производителя или оторизиран сервис.

ПРАВИЛА ЗА БЕЗОПАСНОСТ ЗА БЕЗКАБЕЛНА КОСАЧКА ЗА ТРЕВА

⚠ ОПАСНОСТ: Тази машина е построена за работа съгласно правилата за безопасна експлоатация включени в това ръководство. Както при всеки друг тип електрическо оборудване, небрежност или грешка в част от работата може да доведе до сериозно нараняване. Тази машина е способна да нарани ръце и крака и да изхвърля обекти. Неспазването на всички инструкции за безопасност може да доведе до сериозно нараняване или смърт.

⚠ ПРЕДУПРЕЖДЕНИЕ: Когато използвате безкабелни косачки за трева, винаги трябва да бъдат спазвани основни предпазни мерки за безопасност, за да се намали риска от пожар, токов удар и лично нараняване:

ВАЖНО

ПРОЧЕТЕТЕ ВНИМАТЕЛНО ПРЕДИ УПОТРЕБА. ЗАПАЗЕТЕ ЗА БЪДЕЩА СПРАВКА.

ПРАВИЛА ЗА БЕЗОПАСНОСТ ЗА БЕЗКАБЕЛНИ КОСАЧКИ ЗА ТРЕВА:

НИМАНИЕ-НЕ ДОКОСВАЙТЕ ВЪРТЯЩИЯ СЕ НОЖ!

Обучение

- Прочете внимателно инструкциите. Запознайте се с управлението и правилната употреба на уреда..
- Никога не позволявайте на хора или деца, които не са запознати с тези инструкции да използват уреда. Местните разпоредби могат да ограничат възрастта на оператора.
- Никога не косете, докато в близост има хора, особено деца или домашни любимци.
- Операторът или потребителят е отговорен за инциденти или опасности, причинени на други хора или тяхната собственост.

ПОДГОТОВКА

- Докато косите винаги носете масивни обувки и дълги панталони.
- Не работете с уреда, когато сте бос или носите отворени сандали. Избягвайте носенето на дрехи, които са отпуснати или които имат висящи кантове или връзки.

- Инспектирайте старателно зоната, където ще бъде използвано оборудването и премахнете всички камъни, пръчки, жици, кости и други чужди предмети.
- Преди употреба правете винаги визуална инспекция за да проверите дали ножовете, болтовете за ножа и устройството на резачка не са износени или повредени. Подменяйте износените остриета и болтове в комплект за да съхраните баланса. Подменете повредените или нечетливите етикети.

РАБОТА

- Косете единствено на дневна светлина или добра изкуствена светлина.
- Избягвайте работата с уреда в мокра трева, където е възможно.
- Винаги бъдете сигурни за стабилността на краката по наклон.
- Вървете, никога не бягайте.
- За колесна, ротационна косачка, косете напречно на наклона, никога нагоре или надолу.
- Бъдете изключително внимателни, когато сменяте посоката при склонове.
- Не косете прекалено стръмни склонове.
- Бъдете с повишено внимание, когато давате назад или издърпвате уреда към вас.
- Спрете ножа(овете) ако уредът трябва да бъде наклонен за транспортиране, когато пресичате повърхности различни от трева и когато транспортирате уреда до и от зоната на косене.
- Никога не работете с уреда с повредени предпазители или защитни екрани или без поставени устройства за безопасност примерно дефлектори и/или кошове за трева.
- Включете мотора, съгласно инструкциите и с крака на добро разстояние извън ножа(овете).
- Не накланяйте уреда, когато включвате мотора, освен ако уредът не трябва да бъде наклонен за стартиране. В този случай не го накланяйте повече от колкото е абсолютно необходимо и повдигнете само частта, която е далеч от оператора. Винаги бъдете сигурни, че двете ръце са в работна позиция, преди да върнете уреда към земята. Не стартирайте машината, когато стоите пред изпускателния отвор.
- Не поставяйте ръцете или краката си в близост или под въртящите се части. При ротационни косачки се пазете от изпускателния отвор през цялото време.
- Никога не вдигайте или носете уреда, докато моторът работи.

- Изключете и извадете батерията (или устройството за активиране) и се уверете, че всички движещи се части са напълно спрели преди настройка или почистване:
 - Когато оставяте машината;
 - Преди почистване на задръстване и отпушване на улей;
 - Преди проверка, почистване и работа по уреда;
 - След удяране на чужд предмет. Проверете уреда за повреди и направете ремонти ако е необходимо.
- Ако уредът започне да вибрира необичайно (проверете незабавно):
 - Проверете за повреди;
 - Подменете или поправете всички повредени части;
 - Проверете затягането на всички разхлабени части.

ПОДДРЪЖКА И СЪХРАНЕНИЕ

- Внимавайте по време на настройването на машината, за да избегнете заклещване на пръстите си между движещите се ножове и стационарните части на уреда.
- Дръжте всички гайки, болтове и винтове затегнати за да сте сигурни, че уредът е в безопасно работно състояние.
- Проверявайте често коша за трева за износване или лошо състояние.
- Подменете износените или повредените части свързани с безопасността.
- Почистването и потребителската поддръжка не трябва да се извършва от деца без наблюдение.
- Когато обслужвате ножовете помнете, дори и с изключен източник на захранване, ножовете могат все още да бъдат преместени.
- При ротационни косачки уверете се, че се използват само резервни средства за рязане от правилния вид.

ЛИЧНА БЕЗОПАСНОСТ

Могат да се случат трагични инциденти, ако операторът не внимава за присъствието на деца. Децата често са привлечени от косачката и дейността по косене. Те не разбират опасностите. Никога не предполагайте, че децата ще останат, където последно сте ги видели.

- Дръжте децата извън зоната на косене и под надзора на възрастен отговорник, който да бъде различен човек от оператора.
- Бъдете внимателни и изключете косачката ако децата влязат в зоната.
- Подходите изключително внимателно, когато приближавате слепи ъгли, портали, храсти, дървета

и други обекти, които могат да попречат на вашата видимост към дете, което може да бяга към косачката.

- Децата трябва да бъдат наблюдавани за да е сигурно, че не си играят с косачката.
- Винаги изключвайте косачката, когато изваждате батерията от инструмента. Спрете ножа(овете) ако уредът трябва да бъде наклонен за транспортиране, когато пресичате повърхности различни от трева и когато транспортирате уреда до и от зоната на косене.

ЕКСПЛОАТАЦИЯ

ОБЩА ЕКСПЛОАТАЦИЯ:

- Прочетете внимателно ръководството на оператора, в неговата цялост, преди да опитате да сглобите машината. Прочетете, осъзнайте и следвайте всички инструкции в това ръководство за машината, преди работа. Запознайте се напълно с контролите и правилната употреба на машината преди работа с нея. Дръжте това ръководство на безопасно място за бъдещи и редовни справки и за поръчка на резервни части.
- Използвайте правилния уред - не използвайте косачката за трева за друга работа освен за тази, за която е предназначен.
- Не се пресягайте - запазете правилна стойка и баланс по всяко време.
- Обекти ударени от ножа на косачката, могат да причинят сериозни наранявания на хора. Тревната площ трябва да бъде внимателно инспектирана и изчистена от всички обекти преди всяко косене.
- Преди и по време на движение назад гледайте назад и надолу за малки деца и други хора.
- Тази машина не е играчка. Затова бъдете изключително внимателни по всяко време. Вашият уред е проектиран да върши една единствена работа - да коси трева. Не го използвайте за други цели.
- Не претоварвайте косачката за трева - тя ще свърши работата по добре и по безопасно при капацитета, за който е проектирана.
- Преди употреба правете винаги визуална инспекция за да проверите дали ножовете, болтовете за ножа и устройството на резачка не са износени или повредени. Подменете едновременно износените и повредени ножове и болтове, както и всички други компоненти, за да съхраните баланса. Подменете повредените или нечетливите етикети.
- Бъдете с повишено внимание, когато давате назад или издърпвате уреда към вас.
- Внимателно проверете зоната, където ще бъде използвано оборудването. Премахнете всички камъни, пръчки, жици, играчки и други чужди предмети, в които може да се препънете или да бъдат захванати и изхвърлени от косачката. Изхвърлените обекти могат да причинят сериозно нараняване. Планирайте схемата на косене за да избегнете изхвърляне на материали към пътища, тротоари, околна стоящи хора и други подобни. Също избягвайте изхвърляне на материал срещу стени и препятствия, които могат да причинят рикошет на изхвърления материал обратно към оператора.
- За да спомогнете избягване на контакт с ножа или на нараняване от хвърлени предмети, стойте в зоната на оператора зад ръкохватките и дръжте деца, наблюдатели, асистенти и домашни любимци на разстояние поне от 30 метра от косачката, докато работи. Спрете машината, ако някой влезе в зоната.
- Винаги носете предпазни очила по време на работа и по време на настройки и ремонт защитете очите си. Изхвърлени предмети, които рикошират, могат да причинят сериозно нараняване на очите. Винаги носете лицева или прахова маска, ако работата е запрашена.
- Обличайте се правилно - не носете отпуснати дрехи или бижута. Те могат да бъдат захванати от движещите се части. Използването на гумени ръкавици и масивни обувки е препоръчително, когато се работи на открито. Носете здрави работни обувки с твърди подметки и плътно прилепнали панталони и ризи. Препоръчват се ризи и панталони, които покриват ръцете и краката, както и обувки със стоманено бомбе. Никога не работете с тази машина с боси крака, сандали, хлъзгави или леки (примерно платнени) обувки.
- Не поставяйте ръцете или краката си в близост до въртящите се части или под режещата платформа. Контактът с ножа може да нарани ръцете или краката ви.
- Липсващ или повреден капак на отвеждащата система може да причини контакт с ножа или нараняване от хвърлени обекти.
- Много наранявания могат да се случат в резултат на косачка, която преминава през крака на оператора по време на падане, причинено от подхлъзване или препъване. Не се дръжте за косачката ако падате, освободете незабавно ръкохватките.
- Никога не дърпайте косачката назад към вас докато вървите. Ако трябва да дръпнете назад косачката далеч от стена или препятствие, първо погледнете надолу и назад за да избегнете препъване и след това следвайте тези стъпки:

- Стъпете назад от косачката за да обтегнете напълно ръцете си.
 - Уверете се, че сте в добър баланс със сигурна позиция на краката.
 - Издърпайте косачката бавно назад, на не повече от половината разстояние до вас.
 - Повторете тези стъпки, когато е необходимо.
 - Не работете с косачката под влияние на алкохол или наркотици.
 - Бъдете концентрирани - внимавайте какво вършите. Използвайте здрав разум. Не работете с косачката за трева, когато сте изморени.
 - Контролната ръкохватка за мотора/ножа е устройство за безопасност. Никога не опитвайте да заобиколите нейната работа. Правейки това устройството за безопасност ще спре да работи и може да доведе до нараняване при контакт с въртящия нож. Контролната ръкохватка на мотора/ножа може да работи лесно в двете посоки и автоматично се връща в свободна позиция, когато е освободена.
 - Избягвайте опасна среда - не използвайте косачката за трева във влажни или мокри места.
 - Не използвайте по време на дъжд.
 - Винаги бъдете сигурни за вашата стабилност на краката. Подхлъзване и падане може да причини сериозно нараняване. Ако чувствате, че губите опората на краката си, незабавно освободете контролната ръкохватка на мотора/ножа и ножът ще спре да се движи след три секунди.
 - Спрете ножа, когато прекосявате автомобилни алеи с чакъл, пешеходни зони или пътища.
 - Ако оборудването започне да вибрира неестествено, спрете мотора и незабавно проверете за причината. Вибрациите обикновено са предупреждение за проблем.
 - Проверете за повреди;
 - Подменете или поправете всички повредени части, които могат да бъдат сменени от потребителя;
 - Проверете затягането и затегнете всички разхлабени части.
 - Никога не работете с косачката без подходящ заден щит, капак на отвеждащата система, торба за трева, вложка за торене, страничен отвеждащ улей, контролна ръкохватка за мотора/ножа или други поставени и работещи защитни устройства за безопасност. Никога не работете с косачката при повредени устройства за безопасност. Неизпълнение на това може да доведе до нараняване.
 - Ако настъпят събития, които не са засегнати в това ръководство, бъдете предпазливи и използвайте добра преценка. Свържете се с сервизния потребителски център на EGO за помощ.
 - Акумулаторната батерия, трябва да бъде премахната от уреда преди да бъде предаден за скрап.
 - Батерията трябва да бъде безопасно изхвърлена като отпадък.
- ### РАБОТА ВЪРХУ НАКЛОН:
- Наклоните са главен фактор свързан с инциденти с подхлъзване и падане, които могат да доведат до сериозно нараняване. Винаги бъдете сигурни за стабилността на краката по наклон. Работата при наклони изисква допълнително внимание. Ако се чувствате неуверени по наклон не го косете.
- ### Правете:
- Косете напречно по наклона, никога не косете нагоре и надолу. Бъдете изключително внимателни, когато смените посоката при склонове.
 - Внимавайте за дупки, бразди, скрити предмети или издатини, които могат да причинят подхлъзване или претъпяване. Високата трева може да скрие препятствия.
- ### Не правете:
- Не косете в близост до отвесни места, канавки или насипи, може да изгубите опората в краката или баланса.
 - Не косете наклони по-големи от 15 градуса.
 - Не косете мокра трева. Нестабилната позиция на краката може да предизвика подхлъзване.
- ### ОБСЛУЖВАНЕ
- #### **▲ ПРЕДУПРЕЖДЕНИЕ:** Компонентите на торбата за трева, капака на отвеждащата система, страничния отвеждащ улей, вложката за торене и задният щит са обект на износване и повреди, които могат да разкрият подвижни части или да позволят на обекти да бъдат изхвърлени и могат да увеличат риска от нараняване. За защита на безопасността, често проверявайте всички компоненти и подменете незабавно повредените компоненти с идентични резервни части, посочени в това ръководство. Свържете се с обслужване на клиенти на EGO или с най-близкия сервизен център на EGO, като ремонтите или промените трябва да бъдат извършвани от квалифициран сервизен техник!
- Ако прекъсвачът на вградената защита от претоварване, често се изключва свържете се с обслужване на клиенти на EGO или с най-близкия сервизен център на EGO.

- Не измивайте с косачката с маркуч, избягвайте попадане на вода в мотора и електрическите връзки.
- Извадете ключа и съхранете на закрито косачката за трева, когато не се използва. Позволете на мотора да се охлади, когато я съхранявате в обособено място. Косачката за трева трябва да бъде съхранена на сухо, високо или заключено обособено място, извън достъпа на деца.
- Когато обслужвате използвайте само идентични резервни части посочени в това ръководство. Употребата на части, които не съответстват със спецификациите на стандартното оборудване, могат да доведат до неправилна работа и компрометирана безопасност.
- Извадете или разединете акумулаторната батерия, преди обслужване, почистване или изваждане на материали от косачката.
- Следвайте инструкциите за смяна на аксесоари.
- Дръжте ръкохватките сухи, чисти и без масло и грес.
- За да намалите риска от пожар дръжте капака на мотора чист от трева, листа и натрупване на отпадъци.
- Проверявайте на чести интервали ножа и монтажните болтове на мотора за правилно затягане. Също визуално проверете ножа за повреди (примерно огъвания, пукнатини и износване). Подменете ножа единствено с идентичен резервен нож, посочен в това ръководство.
- Поддържайте грижливо вашата косачка - дръжте ножа на косачката остър и чист за най-добра и безопасна производителност. Ножовете на косачката са остри и могат да режат. Увийте ножа или носете ръкавици и бъдете изключително внимателни, когато го обслужвате.
- Никога не премахвайте или поправяйте устройствата за безопасност. Редовно проверявайте тяхната правилна работа. Никога не правете нещо, което да пречи на функцията по предназначение на устройство за безопасност или да намали защитата, предоставена от устройство за безопасност.
- Винаги спрете мотора преди да правите настройки на колелото или на височината на рязане.
- След удар в чужд обект, спрете мотора, извадете ключа и внимателно проверете косачката за повреди. Поправете повредите преди да работите с косачката.
- Поддържайте и подменете етикетите с инструкции и за безопасност, когато е необходимо. Свържете се с обслужване на клиенти на EGO или с най-

близкия сервизен център на EGO, като ремонтите или промените трябва да бъдат извършвани от квалифициран сервизен техник!

- **ЗАПАЗЕТЕ ТЕЗИ ИНСТРУКЦИИ.** Обръщайте се често към тях и ги използвайте за инструктиране на други, които може да използват този инструмент. Ако заемете този инструмент на някой друг, заемете им също и тези инструкции, за да се предотврати злоупотреба с продукта и вероятно нараняване.

УПОТРЕБА И ГРИЖА ЗА БАТЕРИЯТА

- За да съхраните природните ресурси, моля рециклирайте или изхвърлете правилно батерията. Този продукт съдържа литиево-йонни батерии. Местните или националните закони забраняват изхвърлянето на литиево-йонни батерии с обикновения боклук. Обърнете се към местния орган по отпадъците за информация относно наличните възможности за рециклиране и/или изхвърляне
- Преди снемане на акумулаторната батерия за изхвърляне или рециклиране, покрийте клемите на акумулаторната батерия с адхезивна лента за високо напрежение. Не предприемайте разрушаване или разглобяване на акумулаторната батерия или не премахвайте каквито и да е от нейните компоненти. Литиево-йонните акумулаторни батерии трябва да се рециклират или изхвърлят по подходящ начин. Също така, никога не докосвайте клемите с метални обекти и/или частите на тялото, защото може да възникне късо съединение. Дръжте настрана от деца. Неспазването на предупреждения може да доведе до пожар и/или сериозно нараняване.
- **ПРИ УСЛОВИЯ НА ЗЛОУПОТРЕБА, МОЖЕ ДА СЕ ОТДЕЛИ ТЕЧНОСТ ОТ АКУМУЛАТОРА; ПРЕДОТВРАТЕТЕ КОНТАКТА. В СЛУЧАЙ НА ИНЦИДЕНТЕН КОНТАКТ ИЗМИЙТЕ С ВОДА. АКО ТЕЧНОСТ ВЛЕЗЕ В КОНТАКТ С ОЧИТЕ, ДОПЪЛНИТЕЛНО ПОТЪРСЕТЕ МЕДИЦИНСКА ПОМОЩ.** Течност отделена от акумулаторната батерия може да предизвика възпаление или изгаряния.

СПЕЦИФИКАЦИИ

Номер на модел	LM2020E	LM2020E-SP	
Самостоятелна задвижваща система	Не	Да	
Напрежение	56 V	56 V	
Скорост без натоварване	3000 /МИН	3000 /МИН	
Височина на рязане	25-95 mm	25-95 mm	
Препоръчителна работна температура	0°C-40°C	0°C-40°C	
Препоръчителна температура на съхранение	-20°C-70°C	-20°C-70°C	
Позиции на височина на рязане	6	6	
Размер на платформата	51 cm	51 cm	
Ширина на рязане	50 cm	50 cm	
Обем на торбата за трева	60 L	60 L	
Тегло на косачката (без акумулаторна батерия, вложката за торене)	24,4 КГ	27,2 КГ	
Модел на ножа	AB2001	AB2001	
Измерено ниво на сила на звука L_{WA}	91,5 dB(A) K=1,80 dB(A)	91,0 dB(A) K=1,89 dB(A)	
Ниво на звуково налягане при ухото на оператора L_{PA} K=3 dB(A)	79,5 dB(A)	79,2 dB(A)	
Гарантирано ниво на сила на звука L_{WA} (съгласно 2000/14/ЕС)	93 dB(A)	93 dB(A)	
Стойности на вибрация h K=1,5 m/s ²	Лява ръкохватка	≤2,5 m/s ²	≤2,5 m/s ²
	Дясна ръкохватка	≤2,5 m/s ²	≤2,5 m/s ²
Спирачка на ножа	Да	Да	

BG

- Декларираният общ размер на вибрации е измерен в съответствие със стандартния метод за тест и може да бъде използван за сравнение между два инструмента;
- Декларираният общ размер на вибрации може също така да бъде използван за предварителна оценка на влиянието.

БЕЛЕЖКА: Вибрационните емисии по време на действителната употреба на електрическия инструмент може да се различава от декларираната стойност. С цел да се защити оператора, потребителят трябва да носи ръкавици и антифони в действителни условия на работа.

ОПАКОВЪЧЕН ЛИСТ

ИМЕ НА ЧАСТ	БРОЙ
Косачка за трева	1
Чанта за трева	1
Рамка на торбата за трева	1
Вложка за торене	1
Страничен отвеждащ улей	1
Ключ за безопасност	1
Ръководство на оператора	1

ОПИСАНИЕ

ОПОЗНАЙТЕ ВАШАТА КОСАЧКА

(фиг. А и В и С и D и Е)

- 1 Дръжка превключвател (превключващ лост)
- 2 Ръкохватка
- 3 Бутон за безопасност
- 4 Спусък за самостоятелно задвижване
- 5 Заклучваща скоба на ръкохватката
- 6 Чанта за трева
- 7 Лост за регулиране височината на рязане
- 8 Задно колело
- 9 Странична изпускателна врата
- 10 Платформа на косачката
- 11 Капак на косачката
- 12 Предно колело
- 13 LED фарове
- 14 Капак на батерията
- 15 Задна ръкохватка
- 16 Лост за бърза настройка
- 17 Задна изпускателна врата
- 18 Странична релса
- 19 Контролен лост за скоростта на самостоятелното задвижване
- 20 Заден щит
- 21 Индикатор за захранването
- 22 Превключващ бутон за LED фарове
- 23 Бутон за освобождаване на батерията
- 24 Слот на ключа за безопасност

- 25 Вложка за торене
- 26 Страничен отвеждащ улей

ЕКСПЛОАТАЦИЯ

СГЛОБЯВАНЕ НА ТОРБАТА ЗА ТРЕВА

- 1) Плъзнете торбата за трева в рамката (фиг. F).
- 2) Сглобете горните държачи в рамката (фиг. G), след това сглобете двата странични държача. Накрая сглобете долния държач.
- 3) Напълно сглобената торба за трева е показана на фиг. H.

РЕГУЛИРАНЕ НА СГЪВАЕМАТА РЪКОХВАТКА

▲ ПРЕДУПРЕЖДЕНИЕ: Не се опитвайте да стартирате косачката, докато ръкохватката не е заключена в една от трите зададени позиции на работа (ГОРНА РАБОТНА ПОЗИЦИЯ, СРЕДНА РАБОТНА ПОЗИЦИЯ и ДОЛНА РАБОТНА ПОЗИЦИЯ).

Вашата косачка се доставя с ръкохватка в компактна ЗАКЛЮЧЕНА ПОЗИЦИЯ ЗА СЪХРАНЕНИЕ (фиг. I).

- 1) Издърпайте двете копчета за бързо настройване и ги завъртете на 90° за да освободите ръкохватката от ЗАКЛЮЧЕНАТА ПОЗИЦИЯ ЗА СЪХРАНЕНИЕ.
- 2) Повдигнете ръкохватката от нейната сгъната позиция и след това освободете лоста. Внимателно завъртете ръкохватката нагоре, докато чуете и почувствате цацпането на заключващия щифт, в една от различните позиции, както е показано на фиг. J.

Фиг. J описание на части виж долу:

J-1	Заклучена позиция за съхранение
J-2	Позиция за закрепване/изваждане на торбата за трева
J-3	Горна позиция за работа
J-4	Средна позиция за работа
J-5	Долна позиция за работа

ЗАКРЕПВАНЕ / ИЗВАЖДАНЕ НА ТОРБАТА ЗА ТРЕВА / ВЛОЖКАТА ЗА ТОРЕНЕ / СТРАНИЧНИЯ ОТВЕЖДАЩ УЛЕЙ

▲ ПРЕДУПРЕЖДЕНИЕ: Не правете, в никой момент, каквито и да е настройки на косачката за трева, без първо да спрете мотора, да извадите ключа за безопасност и да изчакате ножът да спре да се върти.

БЕЛЕЖКА: Закрепете някоя от приставките към косачката за трева преди да косите.

■ За да закрепите / извадите торбата за трева (фиг. K)

Настройте ръкохватката в подходяща позиция за работа. Повдигнете задната изпускателна врата и закачете торбата за трева на шарнирния прът. За да извадите, просто повдигнете торбата за трева от шарнирния прът. Накрая освободете задната изпускателна врата.

БЕЛЕЖКА: Извадете предварително монтираната вложка за торене преди да закрепите торбата за трева към косачката.

■ За да закрепите / извадите вложката за торене (фиг. L)

Повдигнете задната изпускателна врата и вкарайте вложката за торене в косачката. За да извадите просто я издърпайте. Накрая освободете задната изпускателна врата.

■ За да закрепите / извадите страничния отвеждащ улей (фиг. M)

Повдигнете страничната изпускателна врата. Подравнете слота на изпускателния улей с копчето на изпускателната врата и освободете внимателно страничната изпускателна врата за да я направите да се върти около шарнирния прът, докато не се закрепи здраво на отвеждащия улей. За да извадите повдигнете страничната изпускателна врата и повдигнете страничния изпускателен улей нагоре от монтажното копче на вратата.

Фиг. M описание на части виж долу:

M-1	Странична изпускателна врата
M-2	Монтажно копче на вратата
M-3	Монтажен отвор
M-4	Страничен изпускателен улей
M-5	Шарнир

БЕЛЕЖКА: Вложката за торене трябва да бъде поставена, когато е закрепен страничния изпускателен улей.

РЕГУЛИРАНЕ НА ВИСОЧИНАТА НА РЯЗАНЕ (фиг. N)

▲ ПРЕДУПРЕЖДЕНИЕ: Дръжте краката си на разстояние от платформата, когато регулирате височината. Косачката може да бъде настроена на 6 височини за рязане между 25 мм и 95 мм. Изберете правилната височина на рязане, в съответствие с типа и условията на тревата.

BG

БЕЛЕЖКА: Когато премествате инструмента уверете се, че височината на рязане е настроена на позиция 3 или по-висока. Неспазването на това може да доведе до повреда на ножа.

МОНТИРАНЕ/ИЗВАЖДАНЕ НА АКУМУЛАТОРНАТА БАТЕРИЯ (фиг. О)

Използвайте само с акумулаторни батерии и зарядни устройства изброени на фиг. А.

ЗАРЕДЕТЕ ПРЕДИ ПЪРВАТА УПОТРЕБА.

▲ ПРЕДУПРЕЖДЕНИЕ: Ако някои части са повредени или липсващи не се опитвайте да закачите батерията към косачката или да работите с косачката, докато счупените или липсващи части не са подменени. Неизпълнение на това може да доведе до нараняване.

- **за да закрепите**

Бутнете акумулаторната батерия в отделението на батерията докато не чуете "щрак".

- **за да извадите**

Натиснете бутона за освобождаване на батерията в отделението на батерията.

Фиг. О описание на части виж долу:

О-1	Слот на ключа за безопасност
О-2	Ключ за безопасност
О-3	Бутон за освобождаване на батерията

ЗАБЕЛЕЖЕТЕ: Уверете се, че резето на косачката щраква на мястото си и батерията е осигурена в косачката преди стартиране на работа.

СТАРТИРАНЕ / СПИРАНЕ НА КОСАЧКАТА

▲ ПРЕДУПРЕЖДЕНИЕ: Експлоатацията на всяка косачка за трева, може да доведе до изхвърляне на чужди предмети към вашите очи или към очите на други, което може да доведе до сериозни очни наранявания. Винаги носете предпазни очила, докато работите с косачката или докато извършвате настройки или ремонт по нея.

▲ ПРЕДУПРЕЖДЕНИЕ: Уверете се, че други хора и домашни любимци спазват поне 30 м разстояние от косачката, когато е в употреба.

▲ ПРЕДУПРЕЖДЕНИЕ: Ножът ще продължи да се върти за няколко секунди, след като косачката е изключена. Оставете моторът / ножът да спрат да се въртят, преди да я стартирате отново. Не включвайте и изключвайте бързо косачката.

КЛЮЧ ЗА БЕЗОПАСНОСТ

С цел да предотвратите неумишлено стартиране или неотризирано използване на вашата безкабелна косачка, в дизайна на косачката е заложен изваждащ се ключ за безопасност. Косачката ще бъде напълно изключена, когато ключът за безопасност е изваден от косачката.

▲ ОПАСНОСТ: Въртящите ножове могат да причинят сериозно нараняване. За да предотвратите сериозно нараняване извадете ключа за безопасност, когато косачката е без надзор или когато регулирате, почиствате, обслужвате, транспортирате, повдигате или съхранявате косачката.

БЕЛЕЖКА: Моторът не може да бъде стартиран освен когато:

- Ръкохватката е заключена в една от трите работни позиции вижте **НАСТРОЙВАНЕ НА СГЪВАЕМАТА РЪКОХВАТКА**
- Страничните релси са напълно изтеглени (фиг. Р).
- Двете зелени заключващи скоби за ръкохватката са сигурно затворени (фиг. Q).

Q-1 Индикаторна линия

▲ ВНИМАНИЕ: Не се опитвайте да заобиколите работата на бутона за безопасност и дръжката превключвател.

За да стартирате

- 1) Поставете батерията в косачката, вкарайте ключа за безопасност в слота на ключа и затворете капака на батерията (фиг. О).
- 2) Съгласно фигура R натиснете надолу бутона за безопасност.
- 3) С натиснат превключващ бутон издърпайте дръжката превключвател напред към ръкохватката и освободете бутона за безопасност (фиг. S).

За да спрете

- 1) Освободете изцяло дръжката превключвател.
- 2) Електрическата спирачка, в автоматичния спирачен механизъм, ще спре въртенето на ножа в рамките на 3 секунди от освобождаването на ножа превключвател.

СИСТЕМА НА САМОСТОЯТЕЛНО ЗАДВИЖВАНЕ С ПРОМЕНЛИВА СКОРОСТ (само за модел LM2020E-SP)

Косачка LM2020E-SP е оборудвана с възможности за променлива скорост на самостоятелната задвижваща

система. Тази система е независима от контактния ключ (вкл - изкл) на ножа, тя не зависи от въртенето на ножа.

За да работите със системата без въртене на ножа, издърпайте спусъка на ръкохватката за самостоятелно задвижване.

За да изключите самостоятелното задвижване, освободете спусъка за самостоятелно задвижване.

Тази система има променлива скорост. За да увеличите скоростта преместете напред лоста за управление на скоростта на самостоятелното задвижване. За да намалите скоростта преместете назад лоста за управление на скоростта на самостоятелното задвижване (фиг. Т).

За да работите въртящия нож за рязане:

1. Стартирайте косачката.
2. Докато държите дръжката превключвател към ръкохватката с вашата лява ръка, издърпайте спусъка за самостоятелното задвижване в посока към ръкохватката, с вашата дясна ръка.
3. Дръжте едновременно дръжката превключвател и спусъка за самостоятелното задвижване срещу ръкохватката с вашата дясна ръка и използвайте вашата лява ръка за да настроите лоста за управление на скоростта на самостоятелното задвижване, на избрана подходяща скорост.

▲ ПРЕДУПРЕЖДЕНИЕ: За да намалите риска от нараняване, никога не опитвайте да заобиколите работата на превключвателя или на системата за самостоятелно задвижване. Използвайте самостоятелното задвижване за неговите цели по предназначение.

LED ФАРОВЕ (фиг. А-13)

Натиснете бутон превключвател (фиг. С-22) за да включите / изключите LED работните светлини пред отделението на батерия.

ИНДИКАТОР ЗА ЗАХРАНВАНЕ НА КОСАЧКАТА (фиг. U)

Косачката е оборудвана с индикатор за захранване за да покаже състоянието на заряда в акумулаторната батерия и работния статут на косачката. Индикаторът за захранването ще светне, когато ножът се върти или когато LED работните светлини са включени.

Индикатор за захранване на косачката	Значение	Действие
Светещо зелено	Косачката работи правилно, батерията има поне 15% заряд	N/A
Свети червено	Слаба батерия	Спрете косачката и заредете акумулаторната батерия.
Мигащо червено	Батерията е почти изтощена	Спрете косачката и заредете акумулаторната батерия.
Светещо оранжево	Косачката или батерията са прегрели	Извадете батерията от косачката, преместете ги на сянка и ги охладете поне за 15 минути
Мигащо оранжево	Косачката е претоварен.	Намалете скоростта или повдигнете височината на рязане за да намалите товара

ЗАЩИТА ОТ ПРЕТОВАРВАНЕ НА КОСАЧКАТА

За да предотвратите условия на претоварване, не се опитвайте да режете твърде много трева на веднъж. Забавете скоростта на рязане или повдигнете височината на рязане.

Вашата косачка има вградена защитна верига за претоварване. Когато косачката е претоварена, моторът ще спре и индикаторът за захранването на косачката ще мига в оранжево. Извадете акумулаторната батерия от косачката. Проверете да видите дали се е събрала трева под платформата и почистете ако е необходимо, след това монтирайте батерията и рестартирайте косачката.

ЗАЩИТА НА БАТЕРИЯТА ОТ ВИСОКА ТЕМПЕРАТУРА

Батерията ще произведе топлина по време на работа. Топлината се разсейва по-бавно в горещо време. Ако температурата на батерията надвиши 70°C по време на работа, защитната верига незабавно ще изключи косачката за да предпази акумулаторната батерия от повреди. Индикаторът за захранването на косачката ще светне оранжево и светодиодът на батерията ще светне оранжево. Освободете дръжката превключвател, изчакайте докато батерията се охлади до приблизително 67°C и рестартирайте косачката.

BG

ПОДДРЪЖКА

▲ ПРЕДУПРЕЖДЕНИЕ: За да избегнете сериозно нараняване, винаги изваждайте ключа за безопасност и акумулаторната батерия от косачката, когато почиствате или извършвате поддръжка.

▲ ПРЕДУПРЕЖДЕНИЕ: Когато обслужвате, използвайте само идентични резервни части. Употребата на каквито и да е други части може да създаде опасност или да предизвика повреда на продукта. За да осигурите безопасността и надеждността, всички поправки трябва да се извършват от квалифициран сервизен техник.

ПОЧИСТВАНЕ НА КОСАЧКАТА

▲ ПРЕДУПРЕЖДЕНИЕ: Винаги изваждайте ключа за безопасност и батерията, когато обслужвате или транспортирате косачката.

Долната страна на платформата на косачката трябва да бъде почиствана след всяка употреба, тъй като ще се натрупат отрязъци от трева, листа, мръсотия и други отпадъци. Това натрупване не е желано тъй като ще спомогне ръждата и корозията по металните части и ще намали ефективността на рязане на косачката.

Извадете всяко натрупване на трева и листа по или около задвижващия вал (LM2020E-SP) и перката на мотора (не използвайте вода). Почистете, забърсвайки косачката с влажна кърпа.

ИЗВАЖДАНЕ/МОНТИРАНЕ НА НОЖА

▲ ПРЕДУПРЕЖДЕНИЕ: Винаги защитете ръцете си, чрез носене на тежки ръкавици или чрез обвиване на острият ръбове с парцали или други материали, когато извършвате поддръжка на ножа на косачката.

- За да извадите ножа (фиг. W)

БЕЛЕЖКА: Ако болтът се върти с вала на двигателя, когато разхлабите болта, завъртете перката на ръка за да подравните проходните отвори на перката с отворите на ножа и поставете още един метален щифт в подравнените отвори.

- За да монтирате ножа
- Следвайте последователността на сглобяване на фиг. V, с острия ръб на перката към платформата и надписаната страната на ножа сочища навън, подравнете преходните отвори в перката с отворите на ножа (фиг. X) и след това затегнете ножа, както е показано на фиг. X.

Фиг. V & W описание на части виж долу:

V-1	Перка	V-5	Болт
V-2	Вътрешен фланец	W-1	Стабилизатор 1
V-3	Нож	W-2	Стабилизатор 2
V-4	Външен фланец	W-3	14 мм гаечен ключ

БЕЛЕЖКА: Препоръчителният въртящ момент за затягане на болта на ножа е 49-59Nm.

СЪХРАНЯВАНЕ НА КОСАЧКАТА

- Извадете батерията от косачката и я съхранете на хладно, сухо и чисто място. Не я съхранявайте в близост до корозивни материали като тор или каменна сол.
- Съхранете косачката в закрито затворено пространство, което е хладно и сухо и е извън достъпа на деца.
- Не покривайте косачката с твърдо пластмасово покривало. Пластмасовите покривала задържат влагата около косачката, което предизвиква ръжда и корозия.
- Косачката може да бъде съхранена изправена или легнала (фиг. Z).

▲ ПРЕДУПРЕЖДЕНИЕ: Падане на косачката от изправена позиция може да доведе до повреда на косачката или нараняване на човек. Винаги дръжте косачката стабилна и извън достъпа на деца, когато е в изправена позиция. Ако е възможно поставете я легнала за съхранение.

Опазване на околната среда



Не изхвърляйте електрическо оборудване, зарядно устройство за акумулаторни батерии и батерии/акумулаторни батерии в домакинския отпадък.

Съгласно европейския закон 2012/19/ЕС, електрическо и електронно оборудване, което повече не може да се използва и съгласно европейското законодателство 2006/66/ЕО, дефектните или използваните акумулаторни батерии/ батерии трябва да се събират отделно.

Ако се изхвърлят електрически уреди в сметища или бунница, опасни вещества могат да изтекат в подпочвените води и да попаднат в хранителната верига, като увредят вашето здраве и благосъстояние.

ОТСТРАНЯВАНЕ НА НЕИЗПРАВНОСТИ

⚠ ПРЕДУПРЕЖДЕНИЕ: Винаги изваждайте ключа за безопасност и батерията, когато обслужвате или транспортирате косачката. Винаги защитете ръцете си, чрез носене на тежки ръкавици или чрез обвиване на острите ръбове с парцали или други материали, когато извършвате поддръжка на ножа на косачката.

ПРОБЛЕМ	ПРИЧИНА	РЕШЕНИЕ
Косачката не може да запали.	<ul style="list-style-type: none"> ■ Аккумуляторната батерия е изтощена. ■ Аккумуляторната батерия не е монтирана на местото си в отделението. ■ Аккумуляторната батерия или електронните компоненти на косачката са твърде горещи. (Индикаторът за захранването на косачката ще светне в оранжево за 10 секунди). ■ Страничните релси не са удължени до тяхната максимална дължина и скобите не са заключени в позиция. ■ Ръкохватката не е поставена в една от трите работни позиции. ■ Платформата на косачката е запушена с трева и отпадъци. 	<ul style="list-style-type: none"> ■ Сменете аккумуляторната батерия. ■ Закрепете батерията в косачката, натиснете я докато чуete изщракване. ■ Позволете на аккумуляторната батерия или косачката да се охлади, докато температурата спадне под 67°C. ■ Изтеглете напълно ръкохватката и заключете двете клампи. ■ Поставете ръкохватката в една от трите работни позиции. ■ Почистете платформата на косачката и се уверете, че ножът се движи свободно.
Косачката реже неравно	<ul style="list-style-type: none"> ■ Ножът е затъпен. ■ Височината за рязане не е настроена правилно. ■ Ножът е монтиран неправилно. 	<ul style="list-style-type: none"> ■ Заточете и подменете ножа. ■ Повдигнете платформата на по-висока височина на рязане. ■ Сглобете отново ножа като следвате раздел "МОНТИРАНЕ НА НОЖА" в това ръководство.

ПРОБЛЕМ	ПРИЧИНА	РЕШЕНИЕ
Косачката спира докато коси	<ul style="list-style-type: none"> ■ Аккумуляторната батерия е изтощена. ■ Косачката е в претоварено състояние. ■ Платформата на косачката е запушена с трева и отпадъци. ■ Аккумуляторната батерия или електронните компоненти на косачката са твърде горещи. (Индикаторът за захранването на косачката ще светне в оранжево за 10 секунди). ■ Страничната релса е малко сгъната от бутачката сила приложена върху ръкохватката. 	<ul style="list-style-type: none"> ■ Сменете аккумуляторната батерия. ■ Повдигнете височината на рязане или забавете косенето. ■ Отпушете платформата на косачката. Повдигнете височината на рязане или режете на тесни ивици. ■ Позволете на аккумуляторната батерия или косачката да се охлади, докато температурата спадне под 67°C. ■ Отключете скобите. Обтегнете напълно страничните релси и заключете отново скобите.
Косачката не тори правилно	<ul style="list-style-type: none"> ■ Отрязъци мокра трева са залепнали за долната част на платформата. ■ Косачката е настроена да реже твърде много трева наведнъж. 	<ul style="list-style-type: none"> ■ Изчакайте докато тревата се изсуши преди косене. ■ Повдигнете платформата на по-висока височина на рязане.
Има прекалено силни вибрации.	<ul style="list-style-type: none"> ■ Ножът за рязане е разхлабен. ■ Ножът за рязане е разбалансиран. ■ Ножът за рязане е изкривен. ■ Валът на мотора е изкривен. 	<ul style="list-style-type: none"> ■ Затегнете болта на ножа. ■ Балансирайте ножа като следвате инструкциите. ■ Подменете ножа. ■ Свържете се с центъра за обслужване.
Заклучващите скоби на ръкохватката не могат да бъдат затворени в позицията.	<ul style="list-style-type: none"> ■ Страничните релси не са напълно изтеглени. 	<ul style="list-style-type: none"> ■ Изтеглете напълно страничните релси и след това заключете скобите.

ГАРАНЦИЯ

ГАРАНЦИОННА ПОЛИТИКА EGO

BG

Моля посетете уебсайта egopowerplus.com за пълните условия по гаранционната политика на EGO.

PROČITAJTE UPUTE U CIJELOSTI!



PROČITAJTE KORISNIČKI PRIRUČNIK

⚠ UPOZORENJE! Radi osiguranja sigurnosti i pouzdanosti sve popravke i zamjene treba obavljati kvalificirani servisni tehničar.

Predviđena namjena i predvidljiva nenamjenska

upotreba: Proizvod je predviđen za košnju trave samo u kućanskim vrtovima. Ne smije se koristiti za košnju neobično visoke, suhe ili mokre trave, npr. trave za ispašu ili za drobljenje lišća. Uređaj se smije koristiti samo za propisanu namjenu. Svaka druga uporaba smatra se nepropisnom uporabom.

SIGURNOSNI SIMBOLI

Svrha sigurnosnih simbola je skretanje pozornosti na moguće opasnosti. Sigurnosni simboli i njihova objašnjenja zahtijevaju vašu potpunu pozornost i razumijevanje. Sami simboli upozorenja ne isključuju opasnost. Upute i upozorenja koja pružaju nisu zamjena za propisne mjere za prevenciju nesreća.

⚠ UPOZORENJE! Prije korištenja ovog alata pobrinite se da sve upute u ovom korisničkom priručniku, uključujući sve sigurnosne simbole kao što su "**OPASNOST**", "**UPOZORENJE**" i "**OPREZ**" pročitate s razumijevanjem. Zanemarivanje svih uputa navedenih u nastavku može rezultirati strujnim udarom, požarom i/ili teškim tjelesnim ozljedama.

ZNAČENJE SIMBOLA

SIGURNOSNI SIMBOL: ukazuje na **OPASNOST**, **UPOZORENJE** ILI **OPREZ**. Može se koristiti u kombinaciji s drugim simbolima ili piktogramima.

⚠ UPOZORENJE: Rukovanje električnim alatima može rezultirati odbacivanjem stranih predmeta u oči što opet može izazvati teška oštećenja očiju. Prije početka rukovanja električnim alatom uvijek nosite zatvorene zaštitne naočale ili zaštitne naočale s bočnim štitnicima, a prema potrebi i štitnik za cijelo lice. Preporučujemo nošenje sigurnosne maske proizvođača Wide Vision preko naočala, ili nošenje standardnih zaštitnih naočala s bočnim štitnicima.

SIGURNOSNE NAPOMENE

Na ovoj stranici slikovno su prikazani i objašnjeni sigurnosni simboli koji se mogu pojaviti na ovom proizvodu. Prije pokušaja sastavljanja i rukovanja s razumijevanjem pročitate sve upute na stroju i pridržavajte ih se.

	Simbol upozorenja	Mjere opreza koje se odnose na vašu sigurnost.
	Pročitajte korisnički priručnik	Radi smanjenja opasnosti od ozljeda, prije korištenja ovog proizvoda korisnik treba s razumijevanjem pročitati korisnički priručnik.
	Čuvajte se oštrih noževa.	Noževi se nastavljaju okretati nakon isključivanja motora – prije održavanja uklonite napravu za onemogućavanje. Isključite i uklonite odvojivi baterijski modul (ili napravu za onemogućavanje) prije podešavanja ili čišćenja.
	Promatrače držite na udaljenosti.	Pobrinite se da druge osobe i kućni ljubimci budu najmanje 30 m udaljeni od kosilice kada je u uporabi.
	Držite noge i ruku dalje	Držite noge i ruku dalje
	CE	Ovaj proizvod je u skladu s primjenjivim Direktivama EU.
	UKCA	Ovaj proizvod sukladan je važećim zakonima u UK.
	WEEE	Otpadni električni proizvodi ne smiju se odlagati s otpadom iz kućanstva. Odnosite ih u ovlaštenu centar za reciklažu.
	Buka	Zajamčena razina zvučne snage: emisija buke u okruženju u skladu je s Direktivom Europske unije.
IPX4	IP simbol	Zaštita od prodora vode, 4. stupanj
V	Volt	Napon
A	Amperi	Struja
Hz	Herc	Frekvencija (ciklusi u sekundi)
W	Vat	Snaga
min	Minuta	Vrijeme
	Izmjenična struja	Vrsta struje
	Istosmjerna struja	Vrsta ili karakteristike struje
n_0	Brzina bez opterećenja	Broj okretaja u praznom hodu

... /min	U minuti	Okretaji u minuti
----------	----------	-------------------

OPĆA SIGURNOSNA UPOZORENJA ZA ELEKTRIČNE ALATE

⚠ UPOZORENJE! PROČITAJTE SVA SIGURNOSNA UPOZORENJA, SVE UPUTE, ILUSTRACIJE I SPECIFIKACIJE ISPORUČENE S OVIM ELEKTRIČNIM ALATOM. Zanemarivanje svih uputa navedenih u nastavku može rezultirati strujnim udarom, požarom i/ili teškim ozljedama.

SAČUVAJTE SVA UPOZORENJA I SVE UPUTE ZA BUDUĆE POTREBE.

Pojam "električni alat" u upozorenjima odnosi se na vaš električni alat na strujni pogon (s kabelom) ili električni alat na baterijski pogon (bez kabela).

SIGURNOST RADNOG PODRUČJA

- Radno područje održavajte čistim i dobro osvijetljenim. Pretrpana ili mračna područja izazivaju nesreće.
- Električnim alatom ne rukujte u eksplozivnim atmosferama, primjerice u prisutnosti zapaljivih tekućina, plinova ili prašine. Električni alat stvara iskre koje mogu zapaliti prašinu ili isparenja.
- Djecu i promatrače držite podalje tijekom rada s električnim alatom. Ometanja mogu rezultirati gubitkom kontrole nad alatom.

ELEKTRIČNA SIGURNOST

- Utikači električnog alata moraju odgovarati utičnici. Nikad ne radite preinake utikača. Ne upotrebljavajte utikače adaptera s uzemljenim električnim alatima. Nepreinačeni utikači i odgovarajuće utičnice smanjit će rizik od strujnog udara.
- Izbjegavajte kontakt tijela s uzemljenim površinama, kao što su slavine, radijatori, peći i hladnjaci. Postoji povećan rizik od strujnog udara ako je vaše tijelo uzemljeno.
- Električni alat ne izlažite kiši ili mokrim uvjetima. Prodiranje vode u električni alat povećat će rizik od strujnog udara.
- Kabel ne upotrebljavajte nepropisno. Kabel nikad ne upotrebljavajte za nošenje, povlačenje ili odspajanje električnog alata od strujnog napajanja. Kabel držite podalje od topline, ulja, oštrih rubova ili pokretnih dijelova. Oštećeni ili isprepleteni kabeli povećavaju rizik od strujnog udara.
- Kad električnim alatom radite na otvorenom,

upotrebljavajte produžni kabel prikladan za uporabu na otvorenom. Uporaba kabela prikladnog za uporabu na otvorenom smanjuje rizik od strujnog udara.

- Ako je rad s električnim alatom u području s parom neizbježan, upotrebljavajte napajanje sa zaštitnim uređajem diferencijalne struje (RCD). Uporaba zaštitnog uređaja diferencijalne struje smanjuje rizik od strujnog udara.

OSOBNA SIGURNOST

- Budite oprezni, gledajte što radite i upotrebljavajte uobičajeni osjećaj kad radite s električnim alatom. Električni alat ne upotrebljavajte kad ste umorni ili pod utjecajem droga, alkohola ili lijekova. Trenutak nepažnje tijekom rada s električnim alatom može rezultirati teškim osobnim ozljedama.
- Upotrebljavajte osobnu zaštitnu opremu. Uvijek nosite zaštitu za oči. Zaštitna oprema poput maske za zaštitu od prašine, neklizajuće sigurnosne obuće, kacige ili zaštite za sluh upotrijebljena za prikladne uvjete smanjit će tjelesne ozljede.
- Spriječite nenamjerno pokretanje. Prije spajanja na izvor napajanja i/ili komplet baterija, uzimanja ili nošenja alata uvjerite se da se prekidač nalazi u položaju isključenosti. Nošenje električnih alata s prstom na prekidaču ili napajanje električnih alata koji imaju uključen prekidač izaziva nesreće.
- Prije uključivanja električnog alata uklonite sve ključeve za podešavanje ili ključeve. Ključ ili ključ za podešavanje ostavljen pričvršćen na rotacijski dio električnog alata može rezultirati tjelesnim ozljedama.
- Ne prekoračujte vrijednosti. Cijelo vrijeme održavajte propisno držanje i ravnotežu. To će omogućiti bolju kontrolu nad električnim alatom u neočekivanim situacijama.
- Oblačite se prikladno. Nemojte nositi široku odjeću i nakit. Kosu, odjeću i rukavice uvijek držite podalje od pokretnih dijelova. Široka odjeća, nakit ili duga kosa mogu se zahvatiti u pokretne dijelove.
- Ako su uređaji namijenjeni za spajanje sustava za izvlačenje i sakupljanje prašine, pobrinite se da se propisno spoje i upotrebljavaju. Uporabom uređaja za sakupljanje prašine mogu se smanjiti opasnosti koje se odnose na prašinu.
- Nemojte dopustiti da vas poznavanje alata stečeno čestom uporabom učini samodopadnim te da ignorirate sigurnosna načela za alat. Nemarne radnje mogu rezultirati teškim ozljedama u djeliću sekunde.

■ UPORABA I NJEGA ELEKTRIČNOG ALATA

- Ne preopterećujte električni alat. Upotrebljavajte ispravan električni alat za svoju primjenu. Ispravan električni alat bolje će i sigurnije obaviti zadatak brzinom za koju je konstruiran.
- Ne upotrebljavajte električni alat ako ga prekidač ne uključuje i isključuje. Svaki električni alat koji se ne može kontrolirati prekidačem opasan je i potrebno ga je popraviti.
- Prije podešavanja, mijenjanja nastavaka ili spremanja alata izvadite utikač iz utičnice i/ili iz alata izvadite baterije. Takve preventivne sigurnosne mjere smanjuju rizik od iznenadnog pokretanja električnog alata.
- Nekorišteni električni alat skladištite izvan dohvata djece i ne dopustite osobama koje ne poznaju električni alat ili ove upute da rade s električnim alatom. Električni alati opasni su u rukama neobučenih korisnika.
- Održavajte električne alate i dodatnu opremu. Proverite jesu li pokretni dijelovi centrirani ili spojeni, ima li polomljenih dijelova i postoji li stanje koje može utjecati na rad električnog alata. Ako je oštećen, električni alat dajte na popravak prije uporabe. Loše održavani električni alati uzrok su mnogih nesreća.
- Rezne alate održavajte oštroma i čistima. Propisno održavani rezni alati s oštrim reznim rubovima vjerojatno se neće spajati i lakši su za upravljanje.
- Električni alat, dodatnu opremu i alatne nastavke, itd., upotrebljavajte u skladu s ovim uputama, uzimajući u obzir radne uvjete i zadatak koji je potrebno obaviti. Uporaba električnog alata za radove drukčija od namjenske može rezultirati opasnim situacijama.
- Rukohvate i površinu rukohvata održavajte suhim, čistim i očišćenim od ulja i masti. Skliski rukohvati i površine za hvatanje mogu dovesti do nesigurnog rukovanja i/ili gubitka nadzora nad alatom.

UPORABA I NJEGA BATERIJSKOG ALATA

- Punjenje obavljajte samo s punjačem kojeg je naveo proizvođač. Punjač koji je prikladan za jedan tip kompleta baterija može stvoriti rizik od požara ako ga se upotrebljava s drugim kompletom baterija.
- Električni alat upotrebljavajte samo s izričito navedenim kompletima baterija. Uporaba drugih kompleta baterija može stvoriti rizik od ozljeda i požara.
- Kad se komplet baterija ne upotrebljava, držite ga podalje od drugih metalnih predmeta poput spajalica za papir, kovanica, ključeva, čavala,

vijaka ili drugih malih metalnih predmeta koji mogu međusobno spojiti kontakte. Kratko spajanje baterijskih kontakata može prouzročiti opekline ili požar.

- U slučaju pogrešne uporabe baterija može izbaciti tekućinu; izbjegavajte kontakt. Ako slučajno dođe do doticaja, mjesta doticaja isperite vodom. Ako tekućina dođe u doticaj s očima, dodatno potražite pomoć liječnika. Tekućina koju izbaci baterija može prouzročiti nadražaj kože ili opekline.
- Ne upotrebljavajte oštećene ili preinačene komplet baterija ili alat. Oštećene ili preinačene baterije mogu pokazati nepredvidivo ponašanje koje može rezultirati požarom, eksplozijom ili opasnošću od ozljeda!
- Komplet baterija ili alat ne izlažite vatri ili previsokoj temperaturi. Izlaganje vatri ili temperaturi višoj od 130 °C može prouzročiti eksploziju.
- Pridržavajte se svih uputa za punjenje i komplet baterija ili alat nemojte puniti izvan okvira temperaturnog raspona navedenog u uputama. Nepropisno punjenje ili punjenje pri temperaturama izvan okvira određenog raspona može oštetiti bateriju i povećati opasnost od požara.

SERVISIRANJE

- Servisiranje električnog alata prepustite kvalificiranom osoblju za popravak koje upotrebljava samo identične zamjenske dijelove. Time će se osigurati održavanje sigurnosti električnog alata.
- Nikad ne servisirajte oštećene komplete baterija. Servisiranje kompleta baterija smiju obavljati samo proizvođač ili ovlašteni serviseri.

SIGURNOSNA PRAVILA ZA BEŽIČNU KOSILICU

⚠ OPASNOST! Uređaj je projektiran za upotrebu u skladu s pravilima za siguran rad koja su uključena u ovaj priručnik. Kao i kod bilo koje vrste električnog uređaja, neopreznost ili pogreška pri rukovanju mogu dovesti do teških ozljeda. Ovaj stroj može ozlijediti šake i stopala te može odbaciti predmete. Nepridržavanje svih sigurnosnih uputa može dovesti do teških ozljeda ili smrti.

⚠ UPOZORENJE: Pri korištenju električnih kosilica uvijek se morate pridržavati osnovnih sigurnosnih mjera opreza kako biste smanjili opasnost od požara, električnog udara i tjelesnih ozljeda.

VAŽNO

PAŽLJIVO PROČITAJTE PRIJE UPOTREBE. SAČUVAJTE ZA BUDUĆE POTREBE.

SIGURNOSNA PRAVILA ZA BEŽIČNE KOSILICE: OPREZ – NEMOJTE DIRATI NOŽ KOJI SE OKREĆE!

OBUKA

- Pozorno pročitajte upute. Upoznajte se s upravljačkim elementima i ispravnim načinom korištenja stroja.
- Osobama koje se nisu upoznale s ovim uputama i djeci nemojte dozvoliti upotrebu alata. Lokalni propisi mogu ograničavati starosnu dob rukovatelja.
- Nikad nemojte kositi ako se u blizini nalaze drugi ljudi, osobito djeca ili domaće životinje
- Rukovatelj ili korisnik snose odgovornost za nezgode ili opasnost za druge ljude ili njihovu imovinu.

PRIPREMA

- Nosite čvrstu obuću i dugačke hlače za vrijeme košenja.
- Nemojte koristiti uređaj bosonogi ili s otvorenim sandalama. Izbjegavajte nošenje široke odjeće i koja na sebi ima konopce ili vezice
- Detaljno pregledajte područje na kojemu ćete koristiti stroj i uklonite sve kamenje, štapove, žice, kosti i druge strane predmete.
- Prije upotrebe vizualno provjerite da noževi, vijci noževa i rezni sklopovi nisu istrošeni ili oštećeni. Zamijenite istrošene ili oštećene oštrice i vijke u kompletima kako biste održali ravnotežu. Zamijenite oštećene i nečitljive naljepnice

RAD

- Kosite samo pri dnevnom svjetlu ili snažnom umjetnom svjetlu.
- Izbjegavajte korištenje stroja po mokroj travi, ako je moguće.
- Osigurajte dobro uporište na nagibima.
- Hodajte, nemojte trčati.
- Koristite li okretnu kosilicu s kotačima, kosite samo poprijeko nizbrdice, nikako ne gore-dolje.
- S velikim oprezom mijenjajte smjer na nizbrdicama;
- Nemojte kositi na iznimno strmim kosinama.
- Budite vrlo oprezni pri vožnji unatrag ili povlačenju stroja prema sebi.
- Zaustavite nož(eva) ako je potrebno nagnuti kosilicu zbog transporta, kada prelazite preko površina koje nisu travnate i prilikom prenošenja kosilice na ili s mjesta košnje.
- Nemojte rukovati strojem ako su oštećeni štitnici ili oklopi ili ako nisu postavljene sigurnosne naprave, na primjer odbojnici i/ili hvatači trave.

HR

- Motor uključite u skladu s uputama, držeći stopala što dalje od nož(eva).
- Nemojte naginjati stroj dok uključujete motor, osim ako je potrebno nagnuti kako biste ga pokrenuli. U tom slučaju nemojte je naginjati preko potrebne mjere i podignite samo dio koji je udaljen od rukovatelja. Objekti ruke uvijek moraju biti u položaju za rad prije nego stroj opet spustite na zemlju. Nemojte pokretati stroj ako stojite ispred otvora za pražnjenje.
- Ne dovodite ruke ili stopala u blizinu ili ispod rotirajućih dijelova. Kod okretnih kosilica, uvijek se držite što dalje od otvora za pražnjenje.
- Nikad nemojte dizati ili prenositi stroj dok je motor pokrenut.
- Prije početka podešavanja i čišćenja isključite i uklonite odvojivi baterijski modul (ili napravu za onemogućavanje) i pričekajte da se svi pokretni dijelovi potpuno zaustave:
 - Kada napuštate stroj;
 - Prije čišćenja smetnji ili odčepijivanja odvodnog kanala;
 - Prije provjere, čišćenja ili rada na stroju;
 - Nakon udara u strani predmet. Pregledajte da na uređaju nema oštećenja i izvršite potrebne popravke.
- Ako se stroj počne nenormalno tresti (odmah provjerite):
 - Pregledom potražite oštećenja;
 - Zamijenite ili popravite oštećene dijelove;
 - Provjerite i pritegnite sve olabavljene dijelove.

ODRŽAVANJE I SKLADIŠTENJE

- Budite oprezni prilikom podešavanja stroja kako ne bi došlo do zahvaćanja prstiju između pokretnih noževa i fiksnih dijelova uređaja.
- Matice, svornjake i vijke održavajte stegnutima kako bi stroj radio sigurno.
- Često provjeravajte da na hvataču trave nema znakova istrošenosti ili oštećenja.
- Iz sigurnosnih razloga zamijenite oštećene ili istrošene dijelove.
- Čišćenje i održavanje koje obavlja korisnik ne smiju obavljati djeca bez nadzora.
- Prilikom servisiranja noževa, budite svjesni da se noževi i dalje mogu pomicati iako je izvor napajanja isključen.
- Kod okretnih kosilica koristite samo odgovarajuće rezne naprave.

OSOBNJA SIGURNOST

Ako rukovatelj nije dovoljno svjestan prisutnosti djece, moguće su nezgode s tragičnim posljedicama. Djecu

obično privlači pojava i aktivnost kosilice. Oni ne shvaćaju opasnosti. Nemojte pretpostavljati da će dijete stalno biti na mjestu gdje ste ga vidjeli zadnji put.

- Djecu držite dalje od područja u kojem kosite i osigurajte im neprekidni nadzor odrasle osobe koja nije rukovatelj.
- Pazite i isključite kosilicu ako dijete uđe u područje rada.
- Osobito budite oprezni kad se približavate nepreglednim zavojima, ulaznim vratima, grmlju, drveću ili drugim predmetima koji vam zaklanjaju pogled na dijete koje može utrčati ispred kosilice.
- Djeca moraju biti pod nadzorom kako se ne bi igrala kosilicom.
- Prije vađenja baterijskog modula iz alata, isključite kosilicu. Zaustavite nož(eve) ako je potrebno nagnuti kosilicu zbog transporta, kada prelazite preko površina koje nisu travnate i prilikom prenošenja kosilice na ili s mjesta košnje.

RAD

OSNOVNI RAD:

- Pažljivo i u cijelosti pročitajte ovaj korisnički priručnik prije nego počnete sastavljati stroj. Prije početka rada, s razumijevanjem pročitajte i pridržavajte se uputa na stroju i u priručnicima. U potpunosti se upoznajte s upravljačkim elementima i pravilnim načinom korištenja uređaja prije nego ga počnete koristiti. Ovaj priručnik čuvajte na sigurnom mjestu radi budućih potreba i kako biste mogli naručiti zamjenske dijelove.
- Koristite odgovarajući stroj – ne koristite kosilicu za druge radove osim za radove za koje je namijenjena.
- Nemojte se previše ispružiti – cijelo vrijeme održavajte propisno držanje i ravnotežu.
- Predmeti o koje udari nož kosilice mogu nanijeti teške ozljede. Uvijek pažljivo pregledajte travnjak i očistite ga od svih predmeta prije košnje.
- Prije i za vrijeme košenja unatrag, pogledajte unazad i prema dolje kako biste se uvjerili da u blizini nema male djece ili drugih osoba.
- Ovaj stroj nije igračka. Stoga uvijek budite iznimno oprezni. Uređaj je projektiran samo za jedan zadatak: košnju trave. Nemojte ga koristiti za druge svrhe.
- Ne forsirajte kosilicu – posao će obaviti bolje i sigurnije brzinom za koju je projektirana.
- Prije upotrebe vizualno provjerite da noževi, vijci noževa i rezni sklopovi nisu istrošeni ili oštećeni. Zamijenite istrošene ili oštećene noževe i vijke i druge dijelove u isto vrijeme, kako biste očuvali ravnotežu. Zamijenite oštećene i nečitljive naljepnice
- Budite vrlo oprezni pri vožnji unatrag ili povlačenju stroja prema sebi.

- Izvršite detaljni pregled područja gdje ćete koristiti stroj. Uklonite sve kamenje, žice, igračke i druge strane predmete o koje se možete spotaći i koje nož može podići i odbaciti. Odbačeni predmeti mogu nanijeti teške tjelesne ozljede. Isplanirajte kretanje tijekom košnje tako da izbjegnute izbacivanje materijala prema cesti, nogostupu, promatračima i sl. Osim toga, pazite da se materijal ne izbacuje prema zidovima ili preprekama, od kojih se materijal može odbiti i vratiti prema vama.
- Kako biste izbjegli dodir s nožem ili ozljede nastale zbog odbačenih predmeta, držite se u zoni rukovatelja iza drški, a djecu, promatrače, pomagače i domaće životinje držite na udaljenosti najmanje 30 m od kosilice za vrijeme njena rada. Zaustavite rad stroja ako itko uđe u područje.
- Uvijek nosite sigurnosne naočale za vrijeme rada i tijekom podešavanja ili popravljavanja kako biste zaštitili oči. Odbačeni, odbijeni predmeti mogu teško ozlijediti oči. Ako se tijekom košnje diže mnogo prašine, koristite masku za lice ili masku za zaštitu od prašine.
- Odjenite se prikladno – ne nosite široku odjeću ili nakit. Mogu ih zahvatiti pokretni dijelovi. Prilikom rada na otvorenom preporučuje se korištenje gumene obuće i gumenih rukavica. Nosite čvrste radne cipele s grubim potplatama te pripijene hlače i majice. Preporuča se korištenje majica i hlača koje prekrivaju ruke i noge te cipela s čeličnom zaštitom za prste. Stroj nikad nemojte koristiti bosonogi, u sandalama te skliskoj ili laganoj (npr. platnenoj) obući.
- Ne stavljajte šake ili stopala blizu rotirajućih dijelova ili ispod reznog trupa. U slučaju dodira s nožem, može doći do ozljeda ruku i stopala.
- Ako nije postavljen poklopac ispusta ili je isti oštećen, može doći do dodira s nožem ili ozljeda nastalih zbog odbacivanja predmeta.
- Mnogo ozljeda nastaje zbog prijelaza kosilice preko stopala, do kojeg je došlo zbog sklizanja ili spoticanja. Ne držite se za kosilicu ako padate, odmah pustite dršku.
- Nemojte povlačiti kosilicu unatrag prema sebi dok hodate. Ako morate odmaknuti kosilicu od zida ili prepreke, najprije pogledajte dolje i iza sebe kako biste izbjegli spoticanje, a zatim postupite prema sljedećim uputama:
 - Odmaknite se od kosilice i potpuno ispružite ruke.
 - Održavajte ravnotežu, stopala moraju biti stabilna.
 - Lagano povlačite kosilicu unatrag prema sebi, ne više od pola duljine.
 - Po potrebi ponovite ovaj postupak.

- Nemojte koristiti kosilicu dok ste pod utjecajem alkohola ili lijekova.
- Budite na oprezu – gledajte što radite. Postupajte razumno. Nemojte rukovati kosilicom ako ste umorni.
- Upravljačka drška motora/noža je sigurnosna naprava. Nemojte pokušati zaobići njenu funkciju. Tako ćete sigurnosnu napravo učiniti nedjelotvornom, što može dovesti do tjelesnih ozljeda zbog kontakta s okretnim nožem. Upravljačka drška motora/noža mora se pomicati lagan u oba smjera i, nakon otpuštanja, automatski se vratiti u deaktivirani položaj.
- Izbjegavajte opasna okruženja – ne koristite kosilice na vlažnim ili mokrim mjestima.
- Ne upotrebljavajte uređaj na kiši.
- Zauzmite stabilan položaj. Sklizanje i pad mogu nanijeti teške tjelesne ozljede. Ako imate osjećaj da gubite tlo pod nogama, odmah otpustite upravljačku ručku motora/noža i nož će se prestati okretati u roku tri sekunde.
- Zaustavite nož kad prelazite preko šljunčanih staza, nogostupa ili preko ceste.
- Ako oprema počne neuobičajeno vibrirati, zaustavite rad motora i odmah potražite uzrok. Vibracije u pravilu ukazuju na problem.
 - Pregledom potražite oštećenja;
 - Zamijenite ili popravite oštećene dijelove koje mogu mijenjati korisnici;
 - Provjerite i pritegnite sve olabavljene dijelove.
 - Kosilicu nemojte koristiti bez odgovarajućeg pratećeg štitnika, poklopca ispusta, vreće za travu, umetka za kompostiranje, bočnog odvoda za pražnjenje, upravljačke drške motora/noža i ako druge sigurnosne naprave nisu na mjestu ili ne rade. Nemojte rukovati kosilicom ako su oštećene sigurnosne naprave. U protivnom može doći do tjelesnih ozljeda.
 - Ako se pojave situacije koje nisu obuhvaćene ovim priručnikom, postupite oprezno i uz dobru procjenu. Za pomoć se obratite centru korisničke službe proizvođača EGO.
 - Prije odlaganja uređaja na otpad, baterijski modul treba izvaditi iz uređaja.
 - Bateriju je potrebno zbrinuti na siguran način.

HR

UPOTREBA NA KOSINI:

Kosine su glavni čimbenik uz kojega su vezane nezgode uslijed proklizavanja ili padova koji mogu dovesti do teških ozljeda. Osigurajte dobro uporište na nagibima. Pri radu na kosinama potreban je pojačan oprez. Ako se na kosini osjećate nesigurno, nemojte je kositi.

Ovo trebate činiti:

- Na kosinama uvijek kosite poprečno; nikada u smjeru gore-dolje. S velikim oprezom mijenjajte smjer na nizbrdicama;
- Pazite na rupe, brazde, kamenje, skrivene predmete i neravnine, zbog kojih možete proklizati ili se spotaknuti. Visoka trava može skrivati prepreke.

Ovo nemojte raditi:

- Ne kosite u blizini padina, rovova i nasipa; mogli biste izgubiti stabilnost ili ravnotežu.
- Ne kosite kosine s nagibom većim 15 stupnjeva.
- Nemojte kositi na mokroj travi. Nestabilno uporište za noge može dovesti do proklizavanja.

SERVISIRANJE

⚠ UPOZORENJE: Dijelovi vreće za travu, poklopac ispusta, bočni odvod za pražnjenja, umetak za kompostiranje, i prateći štitnik troše i oštećuju, zbog čega će pokretni dijelovi biti izloženi ili će doći do odbacivanja predmeta, čime se povećava opasnost od ozljeda. Zbog zaštite od sigurnosti, često provjeravajte sve dijelove i odmah zamijenite oštećene identičnim zamjenskim dijelovima navedenima u ovom priručniku. Obratite se službi za korisnike tvrtke EGO ili najbližem EGO servisnom centru, popravke i zamjene izvršit će kvalificirani tehničari servisa!

- Ako se ugrađena sklopka za zaštitu od preopterećenja često aktivira, obratite se službi za korisnike tvrtke EGO ili najbližem EGO servisnom centru.
- Kosilicu ne perite crijevom; pazite da u motor i električne komponente ne uđe voda.
- Uklonite ključ i pohranite neaktivnu kosilicu kada ju ne koristite. Pričekajte da se motor ohladi prije njegova odlaganja u bilo koju prostoriju; Kad nije u upotrebi, kosilicu pohranite na suho, visoko ili zaključano mjesto, izvan dohvata djece.
- Pri servisiranju koristite samo identične zamjenske dijelove navedene u ovom priručniku. Korištenje dijelova koji nisu u skladu sa specifikacijama za izvornu opremu može rezultirati nepravilnim radom i smanjenom sigurnošću.
- Uklonite ili odspojite baterijski modul prije servisiranja, čišćenja ili uklanjanja materija iz kosilice.
- Pridržavajte se uputa za zamjenu pribora.
- Neka vam ruke budu suhe, čiste i bez ulja i masti.
- Kako biste smanjili opasnost od požara, na poklopcu motora ne smije biti trave, lišća i naslaga drugih materijala.

- Često provjeravajte propisnu zategnutost vijaka za pričvršćenje noževa i motora. Također, pregledajte nož u pogledu oštećenja (npr. je li savijen, napukao ili istrošen). Nož smijete zamijeniti samo identičnim zamjenskim koji je naveden u ovom priručniku.
- Održavajte kosilicu u dobrom stanju – nož kosilice mora biti oštar i čist kako bi najbolje i najsigurnije radio. Noževi kosilice su oštri i mogu izazvati posjekotine. Omotajte nož ili nosite rukavice i budite vrlo pažljivi pri njihovom servisiranju.
- Nikada ne skidajte i ne dirajte sigurnosne naprave. Redovito provjeravajte ispravnosti njihovog rada. Nikada ne ometajte predviđenu funkciju sigurnosne naprave i ne ograničavajte zaštitu koju pruža sigurnosna naprava.
- Uvijek zaustavite motor prije podešavanja kotača ili visine otkosa.
- Ako udarite o strani predmet, zaustavite motor, izvadite ključ i detaljno pregledajte je li kosilica oštećena. Popravite oštećenje prije nego ponovno koristite kosilicu.
- Održavajte i prema potrebi zamijenite naljepnice sa sigurnosnim natpisima i uputama. Obratite se službi za korisnike tvrtke EGO ili najbližem EGO servisnom centru, popravke i zamjene izvršiće kvalificirani tehničari servisa!
- **SPREMITE OVE UPUTE.** Koristite upute često i koristite ih za upućivanje drugih osoba koje mogu koristiti ovaj alat. Ako ovaj alat nekom posudite, posudite i ove upute radi sprečavanja neispravnog korištenja proizvoda i mogućih ozljeda.

KORIŠTENJE I ODRŽAVANJE BATERIJE

- Kako biste zaštitili prirodne resurse, molimo vas baterije reciklirajte i odložite u otpad prema propisima. Ovaj proizvod sadrži litij-ionske baterije. Lokalni i državni zakoni zabranjuju odlaganje litij-ionskih baterija u običan otpad. Informacije o dostupnim mogućnostima za recikliranje i/ili zbrinjavanje zatražite od lokalne službe za zbrinjavanje otpada.
- Nakon uklanjanja kompleta baterija radi reciklaže ili zbrinjavanja kontakte kompleta baterija obložite postojećom ljepljivom trakom. Baterijski modul ne pokušavajte uništiti ili rastaviti ni ukloniti bilo koji njegov dio. Litij-ionske baterije moraju se propisno reciklirati i zbrinuti. Kontakte ne dodirujte metalnim predmetima i/ili dijelovima tijela jer to može rezultirati kratkim spojem. Držite podalje od djece. Zanemarivanje ovih upozorenja može rezultirati požarom i/ili teškim ozljedama.
- **U SLUČAJU POGREŠNE UPORABE, BATERIJA MOŽE IZBACITI TEKUĆINU; IZBJEGAVAJTE KONTAKT. AKO SLUČAJNO DOĐE DO DOTICAJA, MJESTA DOTICAJA ISPERITE VODOM. AKO TEKUĆINA DOĐE U DOTICAJ S**

OČIMA, DODATNO POTRAŽITE POMOĆ LIJEČNIKA. Tekućina koju izbaci baterija može prouzročiti nadražaj kože ili opekline.

TEHNIČKI PODACI

Broj modela	LM2020E	LM2020E-SP	
Sustav sa samostalnim pogonom	Ne	Da	
Napon	56 V	56 V	
Brzina bez opterećenja	3000 /min	3000 /min	
Visina otkosa	25-95 mm	25-95 mm	
Preporučena radna temperatura:	0°C - 40 °C	0°C - 40°C	
Preporučena temperatura skladištenja:	-20°C - 70°C	-20°C - 70°C	
Položaji visine otkosa	6	6	
Veličina trupa	51 cm	51 cm	
Širina rezanja	50 cm	50 cm	
Volumen vreće za travu	60 L	60 L	
Težina kosilice (bez baterijskog modula i umetka za kompostiranje)	24,4 kg	27,2 kg	
Model noža	AB2001	AB2001	
Izmjerena razina zvučne snage L_{WA}	91,5 dB(A) K=1,80 dB(A)	91,0 dB(A) K=1,89 dB(A)	
Razina zvučnog tlaka kod uha rukovatelja L_{PA} K= 3 dB(A)	79,5 dB(A)	79,2 dB(A)	
Zajamčena razina zvučne snage L_{WA} (sukladno Direktivi 2000/14/EZ)	93 dB(A)	93 dB(A)	
Vrijednosti vibracija a_h $K = 1,5 \text{ m/s}^2$	Lijeva drška	$\leq 2,5 \text{ m/s}^2$	$\leq 2,5 \text{ m/s}^2$
	Desna drška	$\leq 2,5 \text{ m/s}^2$	$\leq 2,5 \text{ m/s}^2$
Kočnica noža	Da	Da	

- Deklarirane ukupne vrijednosti vibracija izmjerene su u skladu sa standardnom metodom ispitivanja i mogu se koristiti za usporedbu jednog alata s drugim.
- Deklarirane ukupne vrijednosti vibracija mogu se koristiti i u preliminarnoj procjeni izloženosti.

NAPOMENA: emisija vibracija tijekom aktualnog korištenja električnog alata može se razlikovati od deklarirane vrijednosti u kojoj se alat koristio; Radi zaštite rukovatelja korisnik treba nositi rukavice i štitnike za uši u aktualnim uvjetima korištenja.

POPIS ZA PAKIRANJE

NAZIV DIJELA	KOLIČINA
Kosilica	1
Vreća za travu	1
Okvir vreće za travu	1
Umetak za kompostiranje	1
Bočni izlazni nastavak	1
Sigurnosni ključ	1
Korisnički priručnik	1

OPIS

UPOZNAJTE SVOJU KOSILICU (sl. A i B i C i D i E)

- 1 Sigurnosna sklopka (ručica sklopke)
- 2 Drška
- 3 Sigurnosni gumb
- 4 Okidač samostalnog pogona
- 5 Stezaljka za fiksiranje drške
- 6 Vreća za travu
- 7 Ručica za podešavanje visine otkosa
- 8 Stražnji kotač
- 9 Vratašca bočnog ispusta
- 10 Trup kosilice
- 11 Poklopac trupa
- 12 Prednji kotač
- 13 Prednja LED svjetla
- 14 Poklopac baterijskog modula
- 15 Stražnja drška
- 16 Ručica za brzo podešavanje
- 17 Vratašca stražnjeg ispusta
- 18 Bočna vodilica
- 19 Ručica za upravljanje brzinom samostalnog pogona
- 20 Stražnji štitnik
- 21 Indikator napajanja
- 22 Preklopni gumb prednjih LED svjetala
- 23 Gumb za oslobađanje baterije
- 24 Utor sigurnosnog ključa
- 25 Umetak za kompostiranje
- 26 Bočni odvod za pražnjenje

HR

UPOTREBA

SASTAVLJANJE VREĆE ZA TRAVU

- 1) Gurnite vreću za travu na okvir (sl. F).
- 2) Montirajte gornje spojnice na okvir (sl. G), zatim montirajte dvije bočne spojnice. Na kraju montirajte donju spojnicu.
- 3) Potpuno montirana vreća za travu prikazana je na sl. H.

PODEŠAVANJE SKLOPIVE DRŠKE

⚠ UPOZORENJE: Ne pokušavajte pokrenuti kosilicu dok je drška fiksirana u jednom od tri unaprijed postavljena radna položaja (GORNJI RADNI POLOŽAJ, SREDNJI RADNI POLOŽAJ i DONJI RADNI POLOŽAJ).

Kosilica je opremljena drškom postavljenom u kompaktnom, ZAKLJUČANOM POLOŽAJU ZA SKLADIŠTENJE (sl. I).

- 1) Izvucite dva gumba za brzo podešavanje i okrenite ih za 90° kako biste oslobodili dršku iz ZAKLJUČANOG POLOŽAJA ZA SKLADIŠTENJE.
 - 2) Podignite dršku iz preklapljenog položaja, a zatim otpustite ručicu. Nježno okrećite dršku prema gore dok ne začujete i osjetite da se zatik za blokadu aktivirao u jednom od različitih položaja prikazanih na sl. J.
- Opis dijelova na sl. J pogledajte u nastavku:

J-1	Fiksirani položaj za skladištenje
J-2	Položaj za postavljanje/uklanjanje vreće za travu
J-3	Gornji radni položaj
J-4	Srednji radni položaj
J-5	Donji radni položaj

POSTAVLJANJE/UKLANJANJE VREĆE ZA TRAVU/ UMETKA ZA KOMPOSTIRANJE / BOČNOG ODVODA ZA PRAŽNJENJE

⚠ UPOZORENJE: Nemojte podešavati kosilicu ako prije toga niste zaustavili motor, uklonili sigurnosni ključ i pričekali da se nož prestane vrtjeti.

OBAVIJEST: Postavite željeni nastavak na kosilicu prije početka košnje.

Postavljanje/uklanjanje umetka za kompostiranje (sl. K)

Prilagodite dršku u prikladan radni položaj. Podignite vratašca stražnjeg ispusta i objesite vreću za travu o okretnu šipku. Ako ju želite ukloniti, jednostavno podignite vreću za travu prema gore i skinite ju s okretno šipke. Na kraju, oslobodite vratašca stražnjeg ispusta.

OBAVIJEST: S kosilice uklonite ranije postavljenu umetak za kompostiranje prije nego postavite vreću za travu na kosilicu.

■ **Postavljanje/uklanjanje bočnog odvoda za pražnjenje (sl. L)**

Podignite vratašca stražnjeg ispusta i postavite umetak za kompostiranje na kosilicu. Ako ga želite ukloniti, jednostavno ga izvucite van. Na kraju, oslobodite vratašca stražnjeg ispusta.

■ **SPAJANJE/ODSPAJANJE BATERIJE (Fig. M)**

Podignite vratašca bočnog ispusta. Poravnajte otvor odvoda za pražnjenje s gumbom na vratašcima ispusta i lagano oslobodite vratašca bočnog ispusta kako bi se mogla okretati oko okretne šipke dok čvrsto ne sjedne na odvod za pražnjenje. Ako želite ukloniti, podignite vratašca bočnog ispusta, podignite odvod za pražnjenje s gumba sklopa vratašca.

Opis dijelova na sl. M pogledajte u nastavku:

M-1	Vratašca bočnog ispusta
M-2	Gumb za montažu
M-3	Utor za montažu
M-4	Bočni odvod za pražnjenje
M-5	Osovina

OBAVIJEST: Umetak za kompostiranje postavite prilikom postavljanja bočnog odvoda za pražnjenje.

PODEŠAVANJE VISINE OTKOSA (sl. N)

⚠ UPOZORENJE: Držite stopala dalje od trupa za vrijeme podešavanja njegove visine. Kosilicu možete postaviti na 6 visina otkosa, između 25 mm i 95 mm. Odaberite odgovarajuću visinu, ovisno o vrsti i stanju trave.

OBAVIJEST: Kada pomičete alat, pazite da je visina otkosa postavljena na položaj 3 ili više. Ako to ne učinite, mogli bi doći do oštećenja noža.

SPAJANJE/ODSPAJANJE BATERIJE (Fig. O)

Upotrebite samo s baterijskim modulima i punjačima koji su navedeni na sl. A.

NAPUNITE PRIJE PRVE UPORABE.

⚠ UPOZORENJE: Ako su neki dijelovi oštećeni ili nedostaju, nemojte pokušavati postaviti baterijski modul na kosilicu ili koristiti kosilicu dok ne zamijenite te dijelove. U protivnom može doći do teških ozljeda.

■ **Spajanje**

Gurajte baterijski modul u baterijski pretinac dok ne

čujete da je sjeo na mjesto.

■ **Odvajanje**

Pritisnite gumb za oslobađanje baterije u baterijskom pretincu.

Opis dijelova na sl. O pogledajte u nastavku:

O-1	Utor sigurnosnog ključa
O-2	Sigurnosni ključ
O-3	Gumb za oslobađanje baterije

OBAVIJEST: Prije početka rada pobrinite se da zasun na kosilici sjedne na mjesto te da je baterijski modul pričvršćen u kosilicu.

POKRETANJE/ZAUSTAVLJANJE KOSILICE

⚠ UPOZORENJE: Rukovanje bilo kojom kosilicom može rezultirati odbacivanjem stranih predmeta u oči, što opet može izazvati teška oštećenja očiju. Nosite sigurnosne naočale kada rukujete kosilicom ili za vrijeme podešavanja ili izvođenja popravaka na kosilicu.

⚠ UPOZORENJE: Pobrinite se da druge osobe i kućni ljubimci budu najmanje 30 m udaljeni od kosilice kada je u uporabi.

⚠ UPOZORENJE: Nož će se nastaviti okretati nekoliko sekundi nakon isključivanja kosilice. Pričekajte da se motor/nož prestane okretati prije ponovnog uključivanja. Nemojte naglo isključiti pa uključiti kosilicu.

SIGURNOSNI KLJUČ

Kako ne bi došlo do nehotičnog pokretanja ili neovlaštene upotrebe vaše bežične kosilice, u njenu izvedbu ugrađen je uklonjivi sigurnosni ključ. Kosilica će biti potpuno onemogućena kada se iz nje ukloni sigurnosni ključ.

⚠ OPASNOST: Okretni noževi mogu nanijeti teške ozljede. Kako biste spriječili teške ozljede, uklonite sigurnosni ključ kada je kosilica bez nadzora ili za vrijeme podešavanja, čišćenja, servisiranja, prenošenja, podizanja ili skladištenja kosilice.

OBAVIJEST: Motor nije moguće pokrenuti osim u sljedećim slučajevima:

- Drška je zaključana u jednom o tri radna položaja, pogledajte odjeljak PODEŠAVANJE SKLOPIVE DRŠKE.
- Bočne vodilice su do kraja izvučene (sl. P).

- Obje zelene stezaljke za zaključavanje drške sigurno su zatvorene (sl. Q).

Q-1 Indikacijska crta

⚠ OPREZ: Ne pokušavajte zaobići funkciju sigurnosnog gumba i sigurnosne sklopke.

Pokretanje

- 1) Postavite baterijski modul na kosilicu, umetnite sigurnosni ključ u utor i zatvorite poklopac baterije (sl. O).
- 2) Sukladno uputama na sl. R, pritisnite do kraja sigurnosni gumb.
- 3) S pritisnutim gumbom za uključivanje, izvucite sigurnosnu sklopku prema dršci i otpustite sigurnosni gumb (sl. S).

Zaustavljanje

- 1) Do kraja otpustite sigurnosnu sklopku.
- 2) Električna kočnica u mehanizmu automatskog kočenja će zaustaviti okretanje noža u roku 3 sekunde od otpuštanja sigurnosne sklopke.

SUSTAV SA SAMOSTALNIM POGONOM

VARIJABILNE BRZINE (samo model LM2020E-SP)

Kosilica LM2020E-SP opremljena je samostalnim pogonom varijabilne brzine. Ovaj sustav je neovisan o sklopci za uključivanje/isključivanje noža, njegova rad ovisi o okretanju noža.

Za korištenje sustava bez okretanja noža, povucite okidač samostalnog pogona prema dršci.

Ako želite isključiti samostalni pogon, otpustite njegov okidač.

Sustav ima varijabilnu brzinu. Ako želite povećati brzinu, pomaknite ručicu za reguliranje brzine samostalnog pogona naprijed. Ako želite smanjiti brzinu, pomaknite ručicu za reguliranje brzine samostalnog pogona unatrag (sl. T).

Upotreba s okretanjem noža pri košnji:

1. Pokrenite kosilicu.
2. Dok lijevom rukom držite pritisnutom sigurnosnu sklopku uz dršku, desnom rukom povucite okidač samostalnog pogona prema dršci.
3. Istovremeno desnom rukom držite pritisnutim sigurnosnu sklopku i okidač samostalnog pogona uz dršku, a lijevom rukom pomoću ručice za reguliranje brzine samostalnog pogona odaberite odgovarajuću brzinu.

⚠ UPOZORENJE: Kako biste smanjili opasnost od ozljede, nemojte pokušavati zaobići funkciju sklopke ili sustava sa samostalnim pogonom. Samostalni pogon koristite samo za svrhu za koju je predviđen.

PREDNJA LED SVJETLA (sl. A-13)

Pritisnite preklopni gumb (sl. C-22) kako biste uključili/isključili prednja LED svjetla na prednjoj strani baterijskog modula.

INDIKATOR NAPAJANJA NA KOSILICI (sl. U)

Kosilica je opremljena indikatorom napajanja koji označava razinu napunjenosti baterijskog modula i radni status kosilice. Indikator napajanja svijetli kada se nož okreće ili kada su uključena prednja LED svjetla.

Indikator napajanja na kosilici	Objašnjenje	Radnja
Svijetli zeleno	Kosilica radi ispravno, baterije je napunjena najmanje 15%.	N/A
Svijetli crveno	Prazna baterija	Zaustavite kosilicu i napunite baterijski modul
Trepće crveno	Baterije je skoro prazna	Zaustavite kosilicu i napunite baterijski modul
Svijetli narančasto	Pregrijala se kosilica ili baterijski modul	Izvadite bateriju iz kosilice, premjestite ih u hlad i pričekajte barem 15 minuta da se ohlade
Trepće narančasto	Motor je preopterećen	Usporite tempo ili povećajte visinu otkosa kako biste smanjili opterećenje

ZAŠTITA KOSILICE OD PREOPTEREĆENJA

Kako ne bi došlo do preopterećenja, nemojte pokušavati odjednom ukloniti preveliku količinu trave. Usporite tempo rezanja ili povećajte visinu otkosa.

Kosilica ima ugrađenu zaštitu od preopterećenja. U slučaju preopterećenja kosilice, motor će se zaustaviti, a indikator napajanja na kosilici će treptati narančasto. Uklonite baterijski modul iz kosilice. Provjerite je li se ispod trupa nakupila trava i očistite ju ako je potrebno, zatim ugradite bateriju i ponovno pokrenite kosilicu.

ZAŠTITA OD VISOKE TEMPERATURE BATERIJE

Baterijski modul stvara toplinu za vrijeme rada. Toplina se sporije odvodi za toplog vremena. Ako temperatura baterije prekorači 70°C tijekom rada, zaštitni krug će odmah isključiti kosilicu kako bi zaštitio baterijski modul od oštećenja. Indikator napajanja na kosilici svijetlit će narančasto, a LED na bateriji treptat će istom bojom. Otpustite sigurnosnu sklopku, pričekajte da se baterijski modul ohladi do približno 67°C, zatim ponovno pokrenite kosilicu.

ODRŽAVANJE

⚠ UPOZORENJE: Kako biste izbjegli teške tjelesne ozljede, prije početka čišćenja i izvođenja postupaka održavanja uklonite sigurnosni ključ i baterijski modul iz kosilice.

⚠ UPOZORENJE: Pri servisiranju koristite samo identične zamjenske dijelove. Korištenje drugih dijelova može izazvati opasnost ili prouzročiti oštećenje proizvoda. Radi sigurnosti i pouzdanosti sve popravke treba obavljati kvalificirani servisni tehničar.

ČIŠĆENJE KOSILICE

⚠ UPOZORENJE: Izvadite sigurnosni ključ i baterijski modul prije servisa ili transporta kosilice.

Donju stranu trupa kosilice potrebno je očistiti nakon svake upotrebe kako biste se spriječili nakupljanje komadića trave, lišća, prljavštine ili drugih tvari. Ovo nakupljanje je nepoželjno jer potiče razvoj hrđe i korozije metalnih dijelova te smanjuje učinkovitost košnje.

Uklonite naslage trave i lišća na i oko pogonske osovine (LM2020E-SP) i ventilatora motora (nemojte koristiti vodu). Kosilicu obrišite vlažnom krpom.

UKLANJANJE/UGRADNJA NOŽA

⚠ UPOZORENJE: Pri obavljanju radova održavanja na nožu kosilice zaštitite ruke rukavicama ili omotajte noževe krpama ili drugim materijalima.

■ Uklanjanje noža (sl. W)

OBAVIJEST: Ako se vijak, nakon otpuštanja, okreće zajedno s osovinom motora, okrenite ventilator rukom kako biste poravnali rupe u ventilatoru s rupama na nožu, zatim provucite drugu metalnu šipku kroz tako poravnate rupe.

■ Ugradnja noža

Prateći upute za sastavljanje na sl. V, s ventilatorom okrenutim prema trupu, a tiskanom stranom noža prema van, poravnajte rupe u ventilatoru s rupama u nožu (sl. X) pa stegnite nož kako je prikazano na slici X.

Opis dijelova na sl. V & W pogledajte u nastavku:

V-1	Ventilator	V-5	Vijak
V-2	Unutarnja prirubnica	W-1	Stabilizator 1
V-3	Nož	W-2	Stabilizator 2
V-4	Vanjska prirubnica	W-3	Viličasti ključ od 14 mm

OBAVIJEST: Preporučeni zatezni moment vijka noža je 49 - 59 Nm.

SKLADIŠTENJE KOSILICE

- Izvadite baterijski modul iz kosilice i pohranite ga na hladno, suho, čisto mjesto. Nemojte ga pohraniti pored korozivnih materijala kao što su gnojiva ili kamena sol.
- Pohranite kosilicu na natkrivenom, zatvorenom mjestu koje je hladno i suho i izvan dohvata djece.
- Ne pokrivajte kosilicu čvrstim plastičnim prekrivačem. Plastični prekrivači zarobit će vlagu oko kosilice, što pripomaže nastanku hrđe i korozije.
- Kosilica se može pohraniti uspravno ili položeno (sl. Z).

⚠ UPOZORENJE: Ako se kosilica prevrne iz uspravnog položaja, može doći do oštećenja ili ozljeda osoba u blizini. Kosilicu u uspravan položaj postavite tako da uvijek bude stabilna i izvan dohvata djece. Ako je moguće, položite ju tijekom skladištenja.

Zaštita okoliša



Električnu opremu, punjač baterije i baterije/punjive baterije ne odlažite u otpad iz kućanstva!

Prema Europskoj Direktivi 2012/19/EU o električnoj i elektroničkoj opremi koja više nije iskoristiva i prema Europskoj Direktivi 2006/66/EZ neispravne ili iskorištene komplete baterija/baterije potrebno je sakupljati zasebno.

Ako se električni uređaji odlažu na odlagališta otpada ili deponije, opasne tvari mogu iscurjeti u podzemne vode i dospjeti u lanac ishrane, oštećujući tako vaše zdravlje i blagostanje.

OTKLANJANJE POGREŠKI

⚠ UPOZORENJE: Izvadite sigurnosni ključ i baterijski modul prije servisa ili transporta kosilice. Pri obavljanju radova održavanja na nožu kosilice zaštitite ruke rukavicama ili omotajte noževe krpama ili drugim materijalima.

PROBLEM	UZROK	RJEŠENJE
Kosilica se ne može pokrenuti	<ul style="list-style-type: none"> ■ Baterijski modul je ispražnjen. ■ Baterijski modul nije postavljen na mjestu u svom pretincu. ■ Prevruća je baterija ili sklopovlje kosilice. (Indikator napajanja na kosilici svijetlit će narančasto 10 sekundi) ■ Bočne vodilice nisu izvučene na maksimalnu duljinu, a stezaljke nisu zaključane u svom položaju. ■ Drška nije postavljane u jedan od tri radna položaja. ■ Trup kosilice je začepljen travom i ostalim nečistoćama. 	<ul style="list-style-type: none"> ■ Napunite baterijski modul. ■ Postavite baterijski modul na kosilicu; pritišćite ga dok ne čujete da je sjeo na mjesto ■ Pričekajte da se baterijski modul i kosilica ohlade temperaturu ispod 67°C. ■ Do kraja izvucite dršku i zaključajte obje stezaljke. ■ Postavite dršku u jedan od tri radna položaja. ■ Očistite trup kosilice i osigurajte dovoljno mjesta za pomicanje noža.
Rez kosilice je neravan	<ul style="list-style-type: none"> ■ Nož je tup. ■ Visina otkosa nije pravilno postavljena. ■ Nož je nepravilno postavljen. 	<ul style="list-style-type: none"> ■ Naoštrite ili zamijenite nož. ■ Podignite trup na veću postavku visine otkosa. ■ Ponovno postavite nož prema uputama u odjeljku „UGRADNJA NOŽA“ u ovom priručniku.
Kosilica se zaustavila za vrijeme košnje	<ul style="list-style-type: none"> ■ Baterijski modul je ispražnjen. ■ Kosilica je preopterećena. ■ Trup kosilice je začepljen travom i ostalim nečistoćama. ■ Prevruća je baterija ili sklopovlje kosilice. (Indikator napajanja na kosilici svijetlit će narančasto 10 sekundi.) ■ Bočna vodilica je malo uvučena zbog guranja drške. 	<ul style="list-style-type: none"> ■ Napunite baterijski modul. ■ Povećajte visinu otkosa ili usporite košnju. ■ Odčepite trup kosilice. Povećajte visinu otkosa ili napravite uzak otkos. ■ Pričekajte da se baterijski modul i kosilica ohlade temperaturu ispod 67°C. ■ Otključajte stezaljke. Do kraja izvucite bočne vodilice pa ponovno zaključajte stezaljke.

PROBLEM	UZROK	RJEŠENJE
Kosilica nepravilno kompostira	<ul style="list-style-type: none"> ■ Mokri komadići trave zalijepljeni su za podnožje trupa. ■ Kosilica je postavljena za košnju prevelike količine trave odjednom. 	<ul style="list-style-type: none"> ■ Pričekajte da se trava posuši, zatim nastavite s košnjom. ■ Podignite trup na veću postavku visine otkosa.
Javljaju se prekomjerne vibracije	<ul style="list-style-type: none"> ■ Rezni nož je olabavljen. ■ Rezni nož nije balansiran. ■ Rezni nož je savijen. ■ Osovina motora je savijena. 	<ul style="list-style-type: none"> ■ Stegnite vijak noža. ■ Balansiranje nož prema uputama. ■ Zamjena noža. ■ Obratite se servisnom centru.
Stezaljke za zaključavanje drške ne mogu se zatvoriti na mjestu.	<ul style="list-style-type: none"> ■ Bočne vodilice nisu do kraja izvučene. 	<ul style="list-style-type: none"> ■ Do kraja izvučite bočne vodilice, zatim zaključajte stezaljke.

JAMSTVO

JAMSTVENA POLITIKA PROIZVOĐAČA EGO

Za cjelokupne uvjete jamstvene politike proizvođača EGO posjetite internetsku stranicu egopowerplus.com.

სრულად გაეცანით ინსტრუქციას!



გაეცანით მომხმარებლის ინსტრუქციას

▲ არსებული რისკი: ხელსაწყოს უსაფრთხოდ და გამართულად მუშაობისთვის საჭიროა მისი ყველა შეკეთება და ნაწილის შეცვლა შესრულდეს კვალიფიციური სერვისის ტექნიკოსის მიერ.

მიზნობრივი მოხმარებისა და მოსალოდნელი არასათანადო გამოყენების გზები: ხელსაწყო განკუთვნილია ბალახის გასაკრეჭად სახლისა და ბაღის პირობებში. იგი არ უნდა გამოიყენოთ უჩვეულოდ მაღალი, მშრალი ან სველი ბალახის, ე.წ. სამოვრის ბალახის გასაკრეჭად; ან ფოთლების დასაქუცმაცებლად. ხელსაწყოს გამოყენება შესაძლებელია მხოლოდ დანიშნულებისამებრ. სხვა ნებისმიერი სარგებლობა ჩაითვლება როგორც არამიზნობრივი გამოყენების შემთხვევა.

უსაფრთხოების წესის სიმბოლოები

უსაფრთხოების წესის სიმბოლოების მიზანია მიაქციოთ ყურადღება შესაძლო საფრთხეებს. ყურადღებით გაეცანით და შეისწავლეთ უსაფრთხოების წესის სიმბოლოები და მათი შესაბამისი განმარტებები. უსაფრთხოების წესის სიმბოლოების მინიმუმები თავისთავად არ ანეიტრალებს რაიმე საფრთხის არსებობის რისკს. მათ მიერ მოწოდებული ინსტრუქციები და გაფრთხილებები არ არიან შემთხვევის თავიდან აცილების სწორი პროცედურის შემცვლელი.

KA

▲ გაფრთხილება: ხელსაწყოს გამოყენებამდე დაწვრილებით გაეცანით და შეისწავლეთ ყველა უსაფრთხოების წესი მომხმარებლის ამ ინსტრუქციაში, მათ შორის ყველა უსაფრთხოების წესის

სიმბოლო როგორცაა „საშიშროება“, „გაფრთხილება“ და „ყურადღება“. ქვემოთ ჩამოთვლილი ყველა ინსტრუქციის უზულებელყოფამ შესაძლოა გამოიწვიოს ელექტრული შოკი, ხანძარი და/ან მოგაყენოთ სერიოზული პირადი ზიანი.

სიმბოლოების მნიშვნელობა

უსაფრთხოების შეტყობინების სიმბოლო: აღნიშნავს - „საშიშროება“, „გაფრთხილება“ ან „ყურადღება“. შესაძლოა გამოყენებულ იქნას სხვა სიმბოლოებთან ან პიქტოგრამებთან ერთად.

▲ გაფრთხილება: ელექტრული ხელსაწყოს გამოყენებისას შესაძლოა უცხო სხეულის თვალის მიდამოში მოხვედრა, რამაც შესაძლოა გამოიწვიოს თვალის მნიშვნელოვანი დაზიანება. ელექტრული ხელსაწყოს გამოყენებამდე აუცილებლად მოირგეთ უსაფრთხოების თვალსაფარი ან სათვალე მყარი თვალის დამცავებით და მთლიანი სახის ეკრანით. ჩვენ რეკომენდაციას ვუწევთ ფართო ხედვის არის მქონე უსაფრთხოების ნიღაბს სათვალეებთან ერთად ან სტანდარტულ გვერდითა ეკრანების მქონე უსაფრთხოების სათვალეებს.

უსაფრთხოების წესის ინსტრუქცია

ეს გვერდი აჩვენებს და აღწერს იმ უსაფრთხოების წესის სიმბოლოებს, რომლებიც შესაძლოა აღბეჭდილია მოცემულ პროდუქტზე. წაიკითხეთ, შეისწავლეთ და მიყევით ხელსაწყოს ყველა ინსტრუქციას მის აწყობამდე და ჩართვამდე.

	უსაფრთხოების ნიშანი	გამართილებელი ზომები, რომლებიც მოიცავენ თქვენს უსაფრთხოებას.
	გაეცა-ით მომხმარებლის ინსტრუქციას	დაზიანების რისკის შესამცირებლად მომხმარებელმა უნდა წაიკითხოს და გაეცნოს ხელსაწყო მუშაობის ინსტრუქციას მის გამოყენებამდე.
	ფრთხილ-ად იყავი ბასრი პირ-ებისგან.	პირები განაგრძობენ როტაციას, მას შემდეგ, რაც მორტორი გამორთული - მოხსენით მოწყობილობის გამომრთველი, ტექნიკურ სამუშაოებამდე. გამორთეთ და მოხსენით მოხსნადი ბატარეის ბლოკი (ან მოწყობილობის გამომრთველი), მორგებამდე ან გაწმენდამდე.
	მთარიდეთ სხვა ადამიანები	დარწმუნდით რომ სხვა ადამიანები ან შინაური ცხოველები იმყოფებიან მინიმუმ 3მ მოშორებით ელექტრო მთიბავით სარგებლობისას.
	ფეხები და ხელი მოშორეთ	ფეხები და ხელი მოშორეთ
	CE	ხელსაწყო შეესაბამება ევროკავშირის მიერ წამოყენებულ რეგულაციებს.
	გსცო	ეს პროდუქტი შეესაბამება დიდი ბრიტანეთის მოქმედ კანონმდებლობას.

	WEEE	ელექტრული ხელსაწყოების უტილიზაცია არ უნდა მოხდეს საყოფაცხოვრებო ნარჩენებთან ერთად. წაიღეთ ხელსაწყო ავტორიზირებულ ნარჩენების გადამამუშავებელთან.
	ხმაური	გარანტირებული ხმის სიმძლავრის დონე. გარემოში ხმაურის გავრცელების დონე ევროკავშირის რეგულაციების შესატყვისია.
IPX4	IP სიმბოლო	წყლის შესწავლისგან დაცვა, დონე 4
V	ვოლტი	ძაბვა
A	ამპერი	დენი
Hz	ჰერცი	სიხშირე (ბრუნთა რიცხვი წამში)
W	ვატი	სიმძლავრე
min	წუთი	დრო
	ცვლადი დენი	დენის ტიპი
	მუდმივი დენი	დენის ტიპი ან სახე
η	დაუტვირთავი სი-ჩქარე	დაუტვირთავი ბრუნვის სიჩქარე
.../min	წუთში	ბრუნთა რიცხვი წუთში

KA

ელექტრული ხელსაწყოების უსაფრთხოების ზოგადი მაჩვენებლები

▲ გაფრთხილება: გაცხანით ამ ელექტრულ ხელსაწყოსთან დაკავშირებულ ყველა უსაფრთხოების მითითებას, ინსტრუქციას, ილუსტრაციას და სპეციფიკაციას. ქვემოთ ჩამოთვლილი ნებისმიერი ინსტრუქციის უგულვებელყოფამ შესაძლოა გამოიწვიოს ელექტრული შოკი, ხანძარი და/ან მოგაყენოთ სერიოზული ზიანი.

შენახეთ ყველა მითითება და ინსტრუქცია სამომავლოდ გამოყენებისთვის.

ტერმინი „ელექტრული ხელსაწყო“ უსაფრთხოების ინსტრუქციაში შეესაბამება ქსელიდან (სადენით) ან აკუმულატორით (უსადენო) მიღებულ დენზე მომუშავე ელექტრულ ხელსაწყოს.

სამუშაო არის უსაფრთხოება

- დაიცავით სამუშაო არის სისუფთავე და იქონიეთ კარგი განათება. ჩახერგილი ან ბნელი სამუშაო არე იწვევს ინციდენტებს.
- არ ამუშაოთ ელექტრული ხელსაწყო ჰაერში ფეთქებადი საშუალებების არსებობისას, როგორცაა აალებადი სითხეები, აირები ან მტვერი. ელექტრული ხელსაწყოები წარმოქმნიან ნაპერწკალს, რომელმაც შესაძლოა აანთოს მტვერი ან აირი.
- ელექტრული ხელსაწყოთი სარგებლობისას მოარიდეთ მას ბავშვები და სხვა პირები. ყურადღების გაფანტვას შეუძლია გამოიწვიოს ხელსაწყოზე კონტროლის დაკარგვა.

ელექტრული უსაფრთხოება

- ელექტრული ხელსაწყოს დენის ჩანგალი უნდა ერგებოდეს შტეფსელს. არასოდეს გაუკეთოთ მოდიფიცირება ხელსაწყოს დენის ჩანგალს. არ გამოიყენოთ ადაპტორები ისეთი ხელსაწყოების დენის ჩანგალზე, რომელსაც აქვს დამინება. არსებული დენის ჩანგალი და მისი შესაბამისი შტეფსელის არსებობა

ამცირებს ელექტრული შოკის რისკს.

- მოერიდეთ სხეულით დამინებული საგნების ზედაპირებთან კონტაქტს, როგორცაა მიწები, რადიატორები, ქერები და მაცივრები. ელექტრული შოკის მიღების რისკი იზრდება თუ თქვენი სხეული დამინებულა.
- არ დატოვოთ ელექტრული ხელსაწყოები წვიმაში ან სველ ადგილას. ელექტრულ ხელსაწყოში შესული წყალი ზრდის ელექტრული შოკის მიღების რისკს.
- არ დააზიანოთ დენის სადენი. არასოდეს გამოიყენოთ სადენი ხელსაწყოთა სატარებლად, მოსაქაჩად ან შტეფსელიდან ამოსართველად. დაიცავით დენის სადენი სიმხურვალისგან, ზეთისგან, მყრელი და მოძრავი საგნებისგან. დაზიანებული ან გადახლართული დენის სადენი ზრდის ელექტრული შოკის რისკს.
- ელექტრული ხელსაწყოთი გარეთ სარგებლობისას გამოიყენეთ დამაგრებელი ბეჭედი, რომელიც გამოსადეგია გარეთ მუშაობისთვის. გარეთ მუშაობისთვის შესაბამისი ელექტრული სადენის გამოყენება ამცირებს ელექტრული შოკის რისკს.
- თუ ელექტრული ხელსაწყოს ნესტიან გარემოში მუშაობა გარდაუვალია, გამოიყენეთ დიფერენციალური დაცვის მქონე (RCD) კვების წყარო. დიფერენციალური RCD დაცვის გამოყენება ამცირებს ელექტრული შოკის რისკს.

პირადი უსაფრთხოება

- ხელსაწყოთი გამოყენებისას იყავით ფხიზლად, იმოქმედეთ დაკვირვებით და საღი აზრის გათვალისწინებით. არ გამოიყენოთ ხელსაწყო როდესაც ხართ დაღლილი, ან ალკოჰოლის, მედიკამენტების ან ნარკოტიკების ზემოქმედების ქვეშ. ხელსაწყოთი სარგებლობისას მყისიერმა უყურადღებობამ შეიძლება მოგაყენოთ სერიოზული პირადი ზიანი.

- გამოიყენეთ პირადი დამცავი საშუალებები. ყოველთვის გაიკეთეთ თვალების დამცავი. შესაბამის სამუშაო პირობებში დამცავი საშუალებების გამოყენება, როგორცაა მტვრის საწინააღმდეგო ნიღაბი, მოცურების საწინააღმდეგო სპეც ფეხსაცმელი, მყარი ჩაფხუტი ან სმენის დამცავი, ამცირებს სამუშაო ტრამველს.
- უცაბედი ჩართვის აღკვეთა. დარწმუნდით რომ ჩამრთველი არის გამორთულ პოზიციაში ხელსაწყოს დენში და/ან აკუმულატორთან მიერთებამდე, ხელსაწყოს მალლა აწვეამდე ან ტარებამდე. ელექტრული ხელსაწყოების ტარება ჩამრთველის ღილაკზე დადებული თითით ან ხელსაწყოს დენში მიერთება, რომელსაც გააქტიურებული აქვს ჩართვის ღილაკი, იწვევს ინციდენტებს.
- მოხსენით ნებისმიერი დამაგრებელი მარეგულირებელი ხელსაწყო ან ქანჩის გასაღები ჩართვამდე. ელექტრული ხელსაწყოს მბრუნავ ნაწილზე დამაგრებულმა ქანჩის გასაღებმა ან სხვა მარეგულირებელმა შესაძლოა მოგაყენოთ პირადი ზიანი.
- არ გადაიხაროთ. ყოველთვის დაიცავით ბალანსი და მყარად იდექით ფეხზე. ეს გაძლევთ საშუალებას მოახდინოთ ხელსაწყოს უკეთესი კონტროლი მოულოდნელ სიტუაციებში.
- ჩაიცვით შესაბამისად. არ ჩაიცვათ განიერი, ფრიალა ტანსაცმელი და ძვირფასეულობა. მოაცილეთ თქვენი თმა, ტანსაცმელი და ხელთათმანები მოძრავ ნაწილებს. განიერი, ფრიალა ტანსაცმელი, ძვირფასეულობა და თმა შესაძლოა ჩაითრიოს მოძრავმა ნაწილებმა.
- თუ არსებობს მტვრის ან ნარჩენების შემგროვებელი საშუალებების შეერთების ადგილები, დარწმუნდით რომ ისინი სწორადაა დაკავშირებული და გამოყენებული. მტვრისთვის განკუთვნილი საშუალებების გამოყენებამ შესაძლოა შეამციროს მასთან დაკავშირებული საფრთხეები.

- შეეცადეთ მსგავს ხელსაწყოებთან ხშირი მუშაობის გამოცდილებამ არ გამოიწვიოს თქვენი უზრუნველობა და არ გაუკეთოთ ხელსაწყოს უსაფრთხოების პრინციპებს იგნორირება. უგულისყურო საქციელმა წამის მეთაღმდეგ კი შესაძლოა მოგიტანოთ სერიოზული ზიანი.

ელექტრული ხელსაწყოს გამოყენება და მოვლა

- არ დაატანოთ ძალა ხელსაწყოს. გამოიყენეთ სწორი ხელსაწყო თქვენი მიზნებისთვის. სწორი ხელსაწყო უკეთ და უფრო უსაფრთხოდ გააკეთებს იმ საქმეს, რომლისთვისაც განკუთვნილია იგი.
- არ გამოიყენოთ ხელსაწყო თუ ჩამრთველი არ რთავს მას. ნებისმიერი ხელსაწყო, რომელიც ვერ კონტროლდება ჩამრთველით, სახიფათოა და საჭიროებს შეკეთებას.
- გათიშეთ დენის ჩანგალი შტეფსელიდან და/ან მოხსენით აკუმულატორი ხელსაწყოს ნებისმიერი რეგულირებისას, ნაწილის ცვლილებისას ან ხელსაწყოს შენახვამდე. მსგავსი პრევენციული უსაფრთხოების ზომები ამცირებს ელექტრული ხელსაწყოს უცაბედი ჩართვის რისკს.
- გათიშული ელექტრული ხელსაწყოები შეინახეთ ბავშვებისთვის მიუწვდომელ ადგილას და არ მისცეთ ხელსაწყოს გამოყენების უფლება მისით სარგებლობის არმცოდნე ან მის ინსტრუქციაში ჩაუხედავ პირებს. ელექტრული ხელსაწყოები გამოუცდელი პირების ხელში სახიფათოა.
- მოუარეთ ელექტრულ ხელსაწყოებს და მის ნაწილებს. შეამოწმეთ მოძრავი და შემაკავშირებელი ნაწილების ურთიერთანაცვლება, ნაწილების დაზიანება და სხვა მდგომარეობა, რომელმაც შეიძლება გავლენა იქონიოს ხელსაწყოს მუშაობაზე. დაზიანების შემთხვევაში შეაკეთეთ ხელსაწყო გამოყენებამდე. ბევრი ინციდენტი გამოწვეულია ცუდად მოვლილი ელექტრო ხელსაწყოების გამო.

KA

- მჭრელი ხელსაწყოები იქონიეთ სუფთა და ბასრ მდგომარეობაში. სწორად მოვლილი ბასრი დანის პირის მქონე მჭრელი ხელსაწყოების გახლართვა ნაკლებად ალბათურია და მათი კონტროლიც გაადვილებულია.
- გამოიყენეთ ეს ხელსაწყო, მისი ნაწილები, მათი დამჭერები და ა.შ. ინსტრუქციის მიხედვით, სამუშაო გარემოს და სამუშაოს ტიპის გათვალისწინებით. ელექტრული ხელსაწყოს არადანიშნულებისამებრ გამოყენებამ შესაძლოა შექმნას სახიფათო სიტუაცია.
- იქონიეთ სახელურები და სხვა ხელის ჩასაჭიდი ზედაპირები მშრალ და სუფთა, მათ შორის ცხიმისა და ზეთისგან თავისუფალ მდგომარეობაში. სრიალ სახელურებმა და ხელის ჩასაჭიდმა ზედაპირებმა შესაძლოა შექმნას სახიფათო სამუშაო პროცესი და/ან გამოიწვიოს ხელსაწყოზე კონტროლის დაკარგვა.

აკუმულატორის გამოყენება და მოვლა

- დატენეთ მხოლოდ მწარმოებლის მიერ მითითებული დამტენი მოწყობილობით. დამტენმა მოწყობილობამ, რომელიც თავსებადია ერთი ტიპის აკუმულატორთან, შესაძლოა წარმოშვას ხანძრის გაჩენის რისკი სხვა აკუმულატორზე გამოყენებისას.
- გამოიყენეთ ელექტრული ხელსაწყოები მხოლოდ სპეციალურად აღნიშნული აკუმულატორებით. სხვა აკუმულატორების გამოყენებამ შესაძლოა წარმოშვას ფიზიკური დაზიანების ან ხანძრის რისკი.
- როდესაც აკუმულატორს არ იყენებთ, მოაცილეთ იგი ლითონის საგნებს, როგორცაა ქაღალდის კლიპი, მონეტა, გასაღები, ლურჯმანი, ხრახნი ან სხვა მცირე ზომის ლითონის საგნები, რომელთაც შეუძლიათ აკუმულატორის კონტაქტების დამოკლება. აკუმულატორის კონტაქტების დამოკლებამ შესაძლოა გამოიწვიოს დამწვრობა ან ხანძარი.

- არასწორი მოპყრობის შემთხვევაში სითხემ შესაძლოა გამოჟონოს აკუმულატორიდან; მოერიდეთ მასთან შეხებას. თუ შემთხვევით შეეხეთ სითხეს, ჩამოიბანეთ წყლით. თუ სითხე მოხვდა თვალებში, მიმართეთ ექიმს. აკუმულატორიდან გამოჟონილმა სითხემ შესაძლოა გამოიწვიოს გაღიზიანება ან დამწვრობა.
- არ გამოიყენოთ აკუმულატორი ან ხელსაწყო, რომელიც დაზიანებული ან გადაკეთებულია. დაზიანებულმა ან გადაკეთებულმა აკუმულატორმა შესაძლოა გამოავლინოს არაპროგნოზირებადი ქცევა, რამაც შეიძლება გამოიწვიოს ხანძარი, აფეთქება ან პირადი ზიანი.
- არ მოათავსოთ აკუმულატორი ან ხელსაწყო ცეცხლში ან მაღალ ტემპერატურულ გარემოში. 130 °C-ზე მაღალმა ტემპერატურამ შესაძლოა გამოიწვიოს აფეთქება.
- მიყევით დატენის ინსტრუქციებს და არ დატენოთ აკუმულატორი ინსტრუქციაში მითითებული ტემპერატურული დიაპაზონის გარეთ. არასწორი დატენვა ანდა აკუმულატორის დატენვა ინსტრუქციაში მითითებული ტემპერატურული დიაპაზონის გარეთ ზრდის ხანძრის რისკს.

ტექნიკური სერვისი

- ხელსაწყოს ტექნიკური სერვისი შეასრულებინეთ კვალიფიცირებულ პირს მხოლოდ იდენტიფიცირებული ნაწილების გამოყენებით. მსგავსი პროცედურა უზრუნველყოფს ხელსაწყოს უსაფრთხოდ მუშაობას.
- არასოდეს შეაკეთოთ დაზიანებული აკუმულატორები. აკუმულატორების სერვისი მხოლოდ მწარმოებლის ან ავტორიზებული სერვისის მომწოდებლის მიერ არის შესაძლებელი.

უსადენო გაზონსაკრეჭის უსაფრთხოების წესები

KA

▲ საფრთხე: ამ ხელსაწყოს კონსტრუქცია ითვალისწინებს მის გამოყენებას მხოლოდ ამ მომხმარებლის სახელმძღვანელოში აღწერილი უსაფრთხო მოხმარების წესების გათვალისწინებით. როგორც ნებისმიერი ელექტრული ხელსაწყოს მოხმარებისას, მომხმარებლის მხრიდან დაუდევარობამ ან შეცდომამ შეიძლება მოგაყენოთ სერიოზული ფიზიკური ზიანი. ამ ხელსაწყოს შეუძლია ხელების და ფეხების დაზიანება და საგნების გამოსროლა. ნებისმიერი ინსტრუქციის უგულვებელყოფამ შეიძლება მოგაყენოთ სერიოზული ან ფატალური ფიზიკური ზიანი.

▲ გაფრთხილება: უსადენო გაზონსაკრეჭის ექსპლუატაციისას ძირითადი უსაფრთხოების გამაფრთხილებელი ზომები ყოველთვის უნდა შესრულდეს, რათა შემცირდეს ხანძრის, ელექტრული შოკის და პირადი ზიანის რისკი.

მნიშვნელოვანია

გამოყენებამდე ყურადღებით წაიკითხეთ. შეინახეთ სამომავლოდ გაცნობისთვის.

უსადენო გაზონსაკრეჭის უსაფრთხოების წესები:

ყურადღება - არ შეეხოთ მბრუნავ დანას! ტრენინგი

- ყურადღებით წიკითხეთ ინსტრუქციები. შეისწავლეთ ხელსაწყოს კონტროლის დილაკები და მათი მართებული გამოყენების გზა.
- არასდროს მისცეთ ხელსაწყოს გამოყენების უფლება ამ ინსტრუქციების არმცოდნე პირებს ან ბავშვებს. ადგილობრივმა კანონმდებლობამ შესაძლოა შეზღუდოს ხელსაწყოს მომხმარებლის ასაკი.
- არასოდეს გამოიყენოთ გაზონსაკრეჭი თუ სხვა პირები, განსაკუთრებით ბავშვები ან შინაური ცხოველები არიან ახლოს.
- ოპერატორი ან მომხმარებელი პასუხისმგებელია იმ შემთხვევებზე ან საფრთხეებზე რაც შესაძლოა წარმოექმნას სხვა პირებს ან მათ ქონებას.

მომზადება

- ყოველთვის გამოიყენეთ მყარი ფეხსაცმელი და გრძელი შარვალი გაზონსაკრეჭით სარგებლობისას.
- არ გამოიყენოთ ხელსაწყო როცა ხართ ფეხშიშველი ან გაცვიათ ღია სანდლები. მოერიდეთ ფრიალა, ჩამოკიდებული ზონრებისა და ყელსახვევების მქონე ტანსაცმლის ჩაცმას.
- გულდასმით შეამოწმეთ ის არე, სადაც უნდა გამოიყენოთ ხელსაწყო და მოაცილეთ ყველა ქვა, ჯოხი, სადენი, ძვალი ან სხვა უცხო სხეული.
- ხელსაწყოს გამოყენებამდე ყოველთვის ვიზუალურად შეამოწმეთ რომ დანა, დანის ჭანჭიკები და საჭრელი ნაწილი არ არის გაცვეთილი ან დაზიანებული. შეცვალეთ გაცვეთილი ან დაზიანებული დანა და ჭანჭიკები ერთად, რათა დაიცვათ ხელსაწყოს ცვეთის ბალანსი. შეცვალეთ დაზიანებული ან გაცვეთილი ეტიკეტები.

ექსპლუატაცია

- ისარგებლეთ გაზონსაკრეჭით მხოლოდ დღის სინათლეზე ან კარგი ხელოვნური განათების პირობებში.
- შესაძლებლობის ფარგლებში მოერიდეთ ხელსაწყოს გამოყენებას სველი ბალახის პირობებში.
- ყოველთვის დაწმუნდით თქვენს მყარ საყრდენზე ბეჭობზე ხელსაწყოს გამოყენებისას.
- არასოდეს ირბინოთ, მხოლოდ იარეთ ხელსაწყოთი სარგებლობისას.
- ბორბლიანი მბრუნავი გაზონსაკრეჭის გამოყენებისას, გაკრიჭეთ ფერდობის განივი და არასოდეს მაღლა-დაბლა მიმართულებით.
- გამოიჩინეთ განსაკუთრებული სიფრთხილე ფერდობებზე მოძრაობის მიმართულების შეცვლის დროს.
- არ გამოიყენოთ გაზონსაკრეჭი ძალიან ცივადო ფერდობებზე.

KA

- გამოიჩინეთ განსაკუთრებული სიფრთხილე როდესაც უკან მოძრაობთ ან ქაჩავთ ხელსაწყოს თქვენსკენ.
- გააჩერეთ დანა თუ ხელსაწყო უნდა გადახართ გადატანის დროს, როდესაც უნდა გადაჭრათ ბალახისგან განსხვავებული არე და/ან ახდენთ ხელსაწყოს ტრანსპორტირებას სამუშაო არედან ან უკან მისკენ.
- არასოდეს გამოიყენოთ ხელსაწყო დეფექტური დამცავებით ან ეკრანებით, ან დამონტაჟებული უსაფრთხოების საშუალებების გარეშე. მაგალითად როგორცაა დეფლექტორი და/ან ბალახის შესაგროვებლები.
- არ დახართ ხელსაწყო როდესაც რთავთ მოტორს, იმ შემთხვევის გარდა როცა საჭიროა მისი გადახრა ჩასართველად. ამ შემთხვევაშიც არ გადახართ ხელსაწყო იმაზე მეტად ვიდრე აბსოლუტურად საჭიროა და აწიეთ მხოლოდ მომხმარებლისგან მოშორებით მყოფი ნაწილი. ყოველთვის დარწმუნდით რომ ორივე ხელი იმყოფება სამუშაო პოზიციაში ხელსაწყოს მიწაზე დადებამდე. არ ჩართოთ ხელსაწყო, როდესაც დგახართ დამცველი ხვერლის წინ.
- არ მოათავსოთ ხელები ან ფეხები მბრუნავი ნაწილების ახლოს ან ქვეშ. მბრუნავი გაზონსაკრეჭის გამოყენებისას ყოველთვის მოერდიდეთ დამცველ ხვერლთან ყოფნას.
- არასოდეს აწიოთ ან ატაროთ ხელსაწყო როცა მოტორი მუშაობს.
- გათიშეთ და მოხსენით აკუმულატორი (ან ამომრთველი) ხელსაწყოს და დარწმუნდით რომ მოძრავი ნაწილები სრულად გაჩერებულია, ხელსაწყოს რეგულირებამდე ან გაწმენდამდე:
 - როდესაც უყურადღებოდ ტოვებთ ხელსაწყოს;
 - გაჭედილი ნარჩენების მოცილებამდე და ხელსაწყოს ღარების გაწმენდამდე;
 - ხელსაწყოს შემოწმებამდე, გაწმენდამდე ან ჩართვამდე;
 - უცხო ობიექტზე შეჯახების შემდეგ;

- შეამოწმეთ ხელსაწყო დაზიანებაზე და შეაკეთეთ ის საჭიროებისამებრ.
- თუ მანქანა იწყებს უჩვეულო ვიბრაციას (შეამოწმეთ დაუყოვნებლივ):
 - შეამოწმეთ ხელსაწყო დაზიანებაზე;
 - გამოცვალეთ ან შეაკეთეთ დაზიანებული ნაწილები;
 - შეამოწმეთ და დაუჭირეთ ნებისმიერი მოშვებული ნაწილი.

ექსპლუატაცია და შენახვა

- გამოიჩინეთ სიფრთხილე ხელსაწყოს რეგულირებისას, რათა თავიდან აიცილოთ თითების ჩაყოლა მოძრავ დანებს და ხელსაწყოს დამაგრებულ ნაწილებს შორის.
- დაუჭირეთ ყველა ქანჩი, ჭანჭიკი და ხრახნი, რათა დარწმუნდეთ რომ ხელსაწყო უსაფრთხო სამუშაო მდგომარეობაშია.
- ხშირად შეამოწმეთ ბალახის შესაგროვებელი ცვეთასა და გაფუჭებაზე.
- უსაფრთხოების მიზნით გამოცვალეთ გაცვეთილი ან დაზიანებული ნაწილები.
- ხელსაწყოს გაწმენდა და სერვისი არ უნდა ჩატარდეს ზედამხედველობის გარეშე მყოფი ბავშვების მიერ.
- ხელსაწყოს დანების ტექნიკური სერვისის ჩატარებისას გაითვალისწინეთ რომ, მიუხედავად იმისა რომ დენის წყარო ამორთულია, დანები მაინც შესაძლოა გამოძრავდნენ.
- მბრუნავი გაზონსაკრეჭის შემთხვევაში დარწმუნდით რომ გამოცვლილი საჭრელი ნაწილები არიან მართებული ტიპის.

პირადი უსაფრთხოება

თუ მომხმარებელი არ არის ყურადღებით ახლომახლოს ბავშვების მდებარეობის მიმართ, ამან შესაძლოა გამოიწვიოს ტრაგიკული უბედური შემთხვევა. ბავშვებს ხშირად იზიდავთ გაზონსაკრეჭი და თიბვის პროცესი. ისინი ვერ ათვიენობიერებენ საფრთხეს. არასდროს ივარაუდოთ, რომ ბავშვები დარჩებიან იქ, სადაც ბოლოს დაინახეთ.

- მოარიდეთ ბავშვები სამუშაო არეს და დატოვეთ ისინი ისეთი

პასუხისმგებელიანი ზრდასრული ადამიანის ფიზიკური ზრუნვის ქვეშ, რომელიც არ არის გაზონსაკრეჭის ოპერატორი.

- იყავით ყურადღებით და გათიშეთ გაზონსაკრეჭი თუ ბავშვი შემოვა სამუშაო არეში.
- გამოიჩინეთ განსაკუთრებული სიფრთხილე როდესაც უახლოვდებით ხილვაობისგან დაფარულ კუთხეებს, კარის ზღურბლებს, ბუჩქებს, ხეებს, ან სხვა ობიექტებს, რომელთაც შესაძლოა დაფარონ თქვენი ხილვაობის არე ისე, რომ ვერ შეამჩნიოთ ბავშვი რომელიც დაეჯახება გაზონსაკრეჭს.
- ბავშვები უნდა იყვნენ ზედამხედველობის ქვეშ, რათა მათ არ ითამაშონ გაზონსაკრეჭით.
- ყოველთვის გათიშეთ გაზონსაკრეჭი როდესაც ხელსაწყო ხსნით აკუმულატორს. გააჩერეთ დანა თუ ხელსაწყო უნდა გადახაროთ გადატანის დროს, როდესაც უნდა გადაჭრათ ბალახისგან განსხვავებული არე და/ან ახდენთ ხელსაწყო ტრანსპორტირებას სამუშაო არედან ან უკან მისკენ.

გამოყენება

ზოგადი ექსპლუატაციის წესი:

- ყურადღებით გაეცანით მომხმარებლის ინსტრუქციას სრულიად, სანამ შეეცდებით ხელსაწყოს აწყობას. წაიკითხეთ, შეისწავლეთ და მიყევით ხელსაწყოზე დატანილ და ინსტრუქციაში აღწერილ ყველა მითითებას გაზონსაკრეჭის გამოყენებამდე. სრულად შეისწავლეთ კონტროლის ღილაკები და ხელსაწყო მართებული გამოყენების გზა გაზონსაკრეჭის გამოყენებამდე. შეინახეთ მომხმარებლის ინსტრუქცია უსაფრთხო ადგილას სამომავლოდ და რეგულარულად გამოყენებისთვის, ასევე სათადარიგო ნაწილების შეკვეთისთვის.
- გამოიყენეთ ხელსაწყო დანიშნულებისამებრ - არ გამოიყენოთ გაზონსაკრეჭი ისეთი სამუშაოსთვის,

რომლისთვისაც იგი არაა განკუთვნილი.

- არ გადახაროთ - ყოველთვის დაცავით ბალახს და მყარად იდექით ფეხზე.
- საგნებმა, რომლებსაც შეეჯახება გაზონსაკრეჭი, შესაძლოა მიაყენონ სერიოზული ფიზიკური ზიანი. გაზონი ყოველთვის გულდასმით უნდა შემოწმდეს და გასუფთავდეს ყველა საგნისგან ყოველი გაკრეჭის წინ.
- უკუსვლით მოძრაობის დაწყებამდე და მის პროცესშიც, მოიხედეთ უკან და დაბლა, რათა შეამოწმოთ ხომ არ გედომებიან პატარა ბავშვები ან სხვა პირები.
- ეს ხელსაწყო არ არის სათამაშო. ამგვარად, გამოიჩინეთ განსაკუთრებული სიფრთხილე ნებისმიერ დროს მისით სარგებლობისას. თქვენი ხელსაწყო განკუთვნილია ერთი ტიპის სამუშაოს შესასრულებლად: გაზონის ბალახის გაკრეჭა. არ გამოიყენოთ ის სხვა მიზნებისთვის.
- არ დაატანოთ ძალა გაზონსაკრეჭს - ის უკეთ და უფრო უსაფრთხოდ გააკეთებს იმ საქმეს, რომლისთვისაც განკუთვნილია იგი.
- ხელსაწყოს გამოყენებამდე ყოველთვის ვიზუალურად შეამოწმეთ რომ დანა, დანის ჭანჭიკები და საჭრელი ნაწილი არ არის გაცვეთილი ან დაზიანებული. შეცვალეთ გაცვეთილი ან დაზიანებული დანა და ჭანჭიკები და ნებისმიერი სხვა კომპონენტები ერთდროულად, რათა დაიცვათ ხელსაწყო ცვეთის ბალახსი. შეცვალეთ დაზიანებული ან გაცვეთილი ეტიკეტები.
- გამოიჩინეთ განსაკუთრებული სიფრთხილე როდესაც უკან მოძრაობთ ან ეჩაჩეთ ხელსაწყოს თქვენსკენ.
- დაწვრილებით შეამოწმეთ ისე არე, სადაც უნდა გამოიყენოთ ხელსაწყო. მოაცილეთ ყველა ქვა, ჯოხი, სადენი, სათამაშო ან სხვა უცხო სხეული, რომელსაც შესაძლოა გამოედოს ხელსაწყო ან გაისროლოს მანქანის მოძრაობა დანამ. გამოტყორცნილმა საგნებმა შესაძლოა

KA

მოგაყენოთ სერიოზული პირადი ზიანი. ისე დაგეგმეთ თქვენი გაზონის კრის მიმართულება, რომ მოერიდოთ ნარჩენი საგნების დაცვას გზების, ტროტუარების, გარეშე პირების და მსგავსი მიმართულებით. ასევე მოერიდეთ ნარჩენი საგნების დაცვას კედლისა და სხვა წინაღობებისკენ, რამაც შესაძლოა გამოიწვიოს გამოსროლილი ნივთიერების მომხმარებლისკენ რიკოშეტები.

- დარჩით ოპერატორის ზონაში სახელურების უკან და მოარიდეთ ბავშვები, გარეშე პირები, დამხმარეები და შინაური ცხოველები მინიმუმ 30 მ მანძილით გაზონსაკრეკს მუშაობის პროცესში, რათა თავიდან აირიდოთ დანასთან შეხება ან დაზიანება გამოსროლილი სხეულების მიერ. გააჩერეთ ხელსაწყო თუ ვინმე შემოვა სამუშაო არეში.
- თვალების დაცვის მიზნით ყოველთვის მოირგეთ უსაფრთხოების თვალსაფარი ან სათვალე მუშაობისას და როცა ახდენთ ხელსაწყოს რეგულირებას ან შეკეთებას. გამოტყორცნილმა საგნებმა, რომლებიც რიკოშეტირდება, შესაძლოა მოგაყენოთ სერიოზული ზიანი თვალის არეში. ყოველთვის გაიკეთეთ სახის ნიღაბი ან მტკრის საწინააღმდეგო ნიღაბი თუ მუშაობისას წარმოიქმნება მტკერი.
- ჩაიცვით შესაბამისად - არ გამოიყენოთ განიერი, ფრიალა ტანსაცმელი და ძვირფასეულობა. ისინი შესაძლოა ჩაითრიოს ხელსაწყოს მოძრავმა ნაწილებმა. რეკომენდირებულია რეზინის ხელთათმანების და ფეხსაცმელის გამოყენება გარეთ მუშაობისას. ჩაიცვით მყარი, სქელლანჩიანი სამუშაო ფეხსაცმელი და მჭიდროდ მოტკეცილი შარვალი და პერანგი. რეკომენდირებულია ისეთი პერანგის და შარვლის გამოყენება, რომელიც ფარავს მკლავებს და ფეხებს და ასევე მყარწერიანი ფეხსაცმელი. არასოდეს ამუშაოთ ხელსაწყო ფეხშიშველმა, სანდლებით, სრიალა ან მსუბუქი (ე.წ. ნაჭრის) ფეხსაცმელებით.

- არ მოათავსოთ ხელები ან ფეხები მზრუნავი ნაწილების ახლოს ან მჭრელი ნაწილის ქვეშ. დანასთან შეხებამ შესაძლოა დააზიანოს ხელები და ფეხები.
- მოხსნილმა ან დაზიანებულმა დამცველის საფარმა შესაძლოა გამოიწვიოს დანასთან შეხება ან დაზიანება გამოსროლილი საგნების მიერ.
- ბევრი ფიზიკური დაზიანება ხდება გაზონსაკრეკის ფეხზე გადატარების შედეგად, როცა ადამიანი დაეცემა ფეხის დასრიალების ან წამოკვრის გამო. არ ჩაჰკიდოთ და დაუყოვნებლივ გაუშვით ხელი გაზონსაკრეკს თუ ეცემით დაბლა.
- არასოდეს მოქაჩით გაზონსაკრეკი თქვენსკენ როცა დადისართ. თუ გჭირდებათ გაზონსაკრეკის კედლიდან ან სხვა წინაღობიდან გამოწვევა, პირველად დაიხედეთ დაბლა და მოიხედეთ უკან, რათა აირიდოთ თავი ფეხის წამოკვრას და შემდეგ მიყვებით ქვევით ჩამოთვლილ ნაბიჯებს:
 - გადადგით ნაბიჯი უკან გაზონსაკრეკიდან და სრულად გამართეთ მკლავები.
 - დარწმუნდით რომ დგახართ მყარად ფეხზე და გქვთ შესაბამისი საყრდენი.
 - ნელა მოქაჩით გაზონსაკრეკი, არაუმეტეს ვიდრე ნახევარ მანძილზე.
 - გაიმეორეთ ეს ნაბიჯები საჭიროებისამებრ.
- არ ამუშაოთ გაზონსაკრეკი, როდესაც იმყოფებით მედიკამენტების ან ალკოჰოლის ზემოქმედების ქვეშ.
- იხავით ფიზიკურად - ყურადღება მიაქციეთ რას აკეთებთ. იმოქმედეთ საღი აზრის გათვალისწინებით. არ ამუშაოთ გაზონსაკრეკი, როდესაც დაღლილი ბრძანდებით.
- მოტორის/დანის მაკონტროლებელი სახელური წარმოადგენს უსაფრთხოების ხელსაწყოს. არასოდეს შეეცადოთ მისი გზის ავლით ხელსაწყოს გამოიყენებას. ამგვარი საქციელი უსაფრთხოების ხელსაწყოს ინოპერაბელურს ხდის და შესაძლოა გამოიწვიოს პირადი დაზიანება მზრუნავ დანასთან შეხების შედეგად. მოტორის/დანის

მაკონტროლებელი სახელური უნდა მუშაობდეს ადვილად ორივე მიმართულებით და ავტომატურად გადადიოდეს გათიშულ მდგომარეობაში ხელის გაშვების შედეგად.

- მოერიდეთ საშიშ გარემო პირობებს - არ გამოიყენოთ გაზონსაკრეჭი ნესტიან ან სველ პირობებში.
- არ გამოიყენოთ წვიმის დროს.
- ყოველთვის დაწმუნდით რომ გაქვთ მყარი საყრდენი ფეხებისთვის. ფეხის დაცურებამ და დაცემამ შესაძლოა მოგაყენოთ სერიოზული პირადი ზიანი. თუ გრძნობთ რომ ფეხი დაგიცდათ და ეცემით, ხელი დაუყოვნებლივ გაუშვით მოტორის/დანის მაკონტროლებელ სახელურს და დანა შეაჩერებს ბრუნვას სამი წამის შემდეგ.
- გააჩერეთ დანა, როდესაც გადადიხართ მიკირწყლულ ადგილებზე, ბილიკებსა და გზებზე.
- თუ ხელსაწყო დაიწყებს უჩვეულო ვიბრაციას, გათიშეთ მოტორი და შეამოწმეთ ვიბრაციის მიზეზი. ვიბრაცია როგორც წესი არის დაზიანების მომასწავებელი.
 - შეამოწმეთ ხელსაწყო დაზიანებაზე;
 - გამოცვალეთ ან შეაკეთეთ მომხმარებლისთვის ნებადართული დაზიანებული ნაწილები;
 - შეამოწმეთ და დაუჭირეთ ნებისმიერი მოშვებული ნაწილი.
 - არასოდეს ამუშაოთ გაზონსაკრეჭი შესაბამისი ამჟოლი ფარის, დამცლელის საფარის, ბალახის ჩანთის, ბალახის დამაქუცმაცებელის, გვერდითა დამცლელის ღარის, მოტორის/დანის მაკონტროლებელი სახელურისა და სხვა უსაფრთხოების ხელსაწყოების დამაგრებისა და მუშა მდგომარეობაში ყოფნის გარეშე. არასდროს ამუშაოთ ხელსაწყო დაზიანებული უსაფრთხოების საშუალებებით. ამ მითითების უგულვებელყოფამ შეიძლება მოგაყენოთ პირადი ზიანი.
- თუ ისეთი სიტუაცია შეიქმნა, რომელიც არაა აღწერილი ინსტრუქციაში, გამოიყენეთ სადი აზრი და მიიღეთ ფრთხილი გადაწყვეტილებები.

მიმართეთ EGO-ს კლიენტთა მომსახურების ცენტრს დახმარებისთვის.

- აკუმულატორი უნდა ამოვიღოთ ხელსაწყოდან მის უტილიზაციამდე.
- აკუმულატორის უტილიზაცია უნდა მოხდეს უსაფრთხოების წესის შესაბამისად.

ხელსაწყოთა გამოყენება ფერდობზე:

ფერდობი არის მნიშვნელოვანი ფაქტორი ფეხის დაცურების და წაქცევის ტიპის ინციდენტებში, რომლებმაც შესაძლოა გამოიწვიონ მძიმე ფიზიკური დაზიანება. ყოველთვის დაწმუნდით თქვენს მყარ საყრდენზე ბეჭობზე ხელსაწყოთა გამოყენებისას. ფერდობზე ხელსაწყოთა გამოყენება საჭიროებს დამატებით სიფრთხილეს. თუ თქვენ თავს შექუხებულად გრძნობთ ფერდობზე დგომისას, არ გაკრიჭოთ ეს არე.

დაშვებულია:

- გაკრეჭვა ფერდობის განივი მიმართულებით; არასოდეს მაღლა-დაბლა მიმართულებით. გამოიჩინეთ განსაკუთრებული სიფრთხილე ფერდობებზე მოძრაობის მიმართულების შეცვლის დროს.
- მოერიდეთ ღრმულებს, თხრილებს, ქვებს, დამალულ საგნებს ან სხვა გამოშვებულს, რომელთაც შეიძლება გამოიწვიონ თქვენი ფეხის დასრილება ან წამოკვრა. მაღალი ბალახი შესაძლოა ფარავდეს დაბრკოლებებს.

დაუშვებელია:

- არ გაკრიჭოთ გადასავარდნებთან, თხრილებთან ან ნაპირებთან; თქვენ შესაძლოა ფეხი დაგიცდეთ ან დაკარგოთ წონასწორობა.
- არ გაკრიჭოთ 15 გრადუსზე მეტი დახრილობის მქონე ფერდობები.
- არ გამოიყენოთ გაზონსაკრეჭი სველ ბალახზე. არასტაბილურმა საყრდენმა შესაძლოა გამოიწვიოს ფეხის დაცურება.

KA

ტექნიკური სერვისი

▲ გაფრთხილება: ბალახის ჩანთის კომპონენტები, დამცელის საფარი, გვერდითა დამცელის ღარი, ბალახის დამაქუცმაცებელი და ამჟღადი ფარი დროთა განმავლობაში იცვითება და ზიანდება, რამაც შესაძლოა გამოაჩინოს მოძრავი ნაწილები ან საშუალება მისცეს ხელსაწყოს გამოისროლოს სხეულები, რაც ზრდის ფიზიკური დაზიანების რისკს. უსაფრთხოების დაცვის მიზნით ხშირად შეამოწმეთ ხელსაწყოს ყველა კომპონენტი და შეცვალეთ დაზიანებული ნაწილები იდენტური სათადარიგო კომპონენტებით, რომლებიც მითითებულია მომხმარებლის სახელმძღვანელოში. მიმართეთ EGO-ს კლიენტთა მომსახურების ცენტრს ან უახლოეს EGO-ს სერვისის ცენტრს. ხელსაწყოს ყველა შეკეთება და ნაწილის შეცვლა უნდა შესრულდეს კვალიფიციური სერვისის ტექნიკოსის მიერ.

- თუ გაზონსაკრეჭის ჩამონტაჟებული გადატვირთვისაგან დაცვის ჩამრთველი ხშირად ამოირთვება, მიმართეთ EGO-ს კლიენტთა მომსახურების ცენტრს ან უახლოეს EGO-ს სერვისის ცენტრს.
- არ გარეცხეთ გაზონსაკრეჭი წყლის მილით; მოერიდეთ მოტორში და ელექტრულ შეერთებებში წყლის მოხვედრას.
- გამოადრეთ გასაღები და შეინახეთ გათიშული გაზონსაკრეჭი შენობაში. მიეცით საშუალება მოტორს გაგრილდეს, სანამ შეინახავთ ხელსაწყოს დახურულ სივრცეში. გაზონსაკრეჭი უნდა იყოს შენახული მშრალ, მაღალ და დახურულ სათავსოში, ბავშვებისგან მიუწვდომელ ადგილას.
- ტექნიკური სერვისისას გამოიყენეთ მხოლოდ მომხმარებლის ინსტრუქციაში აღწერილი იდენტური სათადარიგო ნაწილები. ისეთი ნაწილების გამოყენებამ, რომლებიც არ აკმაყოფილებენ ორიგინალური ნაწილების სპეციფიკაციებს, შესაძლოა გამოიწვიოს ხელსაწყოს არასათანადოდ მუშაობა და შეამციროს უსაფრთხოება.

- მოხსენით ან ამორთეთ აკუმულატორი, სანამ შეუდგებოდეთ გაზონსაკრეჭის ტექნიკური სერვისის, წმენდის ან ნარჩენების მოცილების პროცესს.
- მისდით დამტენი მოწყობილობის ინსტრუქციებს.
- იქონიეთ სახელურები მშრალ და სუფთა, მათ შორის ცხიმისა და ზეთისგან, მდგომარეობაში.
- ხანძრის რისკის შესამცირებლად გაასუფთავეთ მოტორის საფარველი ბალახის, ფოთლებისა და ნარჩენებისგან.
- შეამოწმეთ დანის და მოტორის სამაგრი ჭანჭიკები სათანადო დაჭერაზე რეგულარული ინტერვალებით. ასევე ვიზუალურად შეამოწმეთ დანა დაზიანებაზე (ანუ გაღუნვაზე, გაბზარვასა და გაცვეთაზე). დანის შეცვლისას გამოიყენეთ მხოლოდ მომხმარებლის ინსტრუქციაში აღწერილი იდენტური დანა.
- იზრუნეთ თქვენს გაზონსაკრეჭზე - იქონიეთ დანა მჭრელ და სუფთა მდგომარეობაში საუკეთესო და უსაფრთხო მოხმარებისთვის. გაზონსაკრეჭის დანები ბასრია და ადვილად ჭრის. გამოიჩინეთ დამატებითი სიფრთხილე, შეფუთვით დანა ან გამოიყენეთ ხელთათმანები, როდესაც უტარებთ დანას ტექნიკურ სერვისს.
- არასდროს მოხსნათ ან შეცვალოთ ხელსაწყოს უსაფრთხოების საშუალებები. რეგულარულად შეამოწმეთ მათი მართებული მუშაობა. არასოდეს შეუშალოთ ხელი ხელსაწყოს უსაფრთხოების საშუალებას შეასრულოს განკუთვნილი ფუნქცია ან შეამცირეთ უსაფრთხოების ხელსაწყოს დაცვის დონე.
- ყოველთვის გააჩერეთ მოტორი სანამ მოახდენთ ბორბლის ან კრეჭვის სიმადლის რეგულირებას.
- უცხო ობიექტთან შეჯახების შემდეგ გააჩერეთ მოტორი, მოხსენით გასაღები და დაწვრილებით შეამოწმეთ გაზონსაკრეჭი დაზიანებაზე. ჩაუტარეთ გაზონსაკრეჭს შეკეთება მის გამოყენებამდე.

KA

- იზრუნეთ ან შეცვალეთ უსაფრთხოების და ინსტრუქციული ეტიკეტები საჭიროებისამებრ. მიმართეთ EGO-ს კლიენტთა მომსახურების ცენტრს ან უახლოეს EGO-ს სერვისის ცენტრს. ხელსაწყო ყველა შეკეთება და ნაწილის შეცვლა უნდა შესრულდეს კვალიფიციური სერვისის ტექნიკოსის მიერ.
- შეინახეთ ეს მომხმარებლის ინსტრუქცია. გამოიყენეთ მომხმარებლის ინსტრუქცია და მიუთითეთ სხვებს, ვისაც სურს ხელსაწყო გამოიყენება, გაეცნონ მას. თუ ათხოვებთ ხელსაწყო სხვა პირს, ასევე ათხოვებთ მას ეს მომხმარებლის ინსტრუქცია, რათა ადკვეთოთ ხელსაწყო არასათანადო გამოყენება და შესაძლო ზიანი.

აკუმულატორის გამოყენება და მოვლა

- გარემოს დაცვის მიზნით გთხოვთ მოახდინოთ აკუმულატორების მართებული უტოლიზირება ან გადამუშავება. ეს ხელსაწყო შეიცავს ლითიუმ-იონის აკუმულატორებს. ადგილობრივი ან სახელმწიფო კანონმდებლობა კრძალავს ლითიუმ-იონის ბატარეების გადაგდებას საყოფაცხოვრებო ნაგავში. მიმართეთ თქვენს ადგილობრივ ხელისუფლებას მსგავსი ნარჩენების გადამუშავების და/ან უტილიზაციის გზების თაობაზე.
- ნარჩენების გადამუშავების და/ან უტილიზაციის მიზნით აკუმულატორის მოხსნის შემდეგ, დაფარეთ მისი ელექტრული კონტაქტები წებვადი იზოლაციით. არ შეეცადოთ გაანადგუროთ ან დაშალოთ აკუმულატორი ან მოხსნათ რომელიმე ნაწილი. საჭიროა ლითიუმ-იონის ბატარეების ჯეროვანი გადამუშავება ან უტილიზირება. ასევე არასოდეს შეეხოთ აკუმულატორის კონტაქტებს ლითონის საგნებით და/ან სხეულის ნაწილით, რადგან ამან შესაძლოა გამოიწვიოს მოკლე ჩართვა. მთავრად ბავშვებს. ამ გავრთხილებების უგულვებელიყოფამ შესაძლოა გამოიწვიოს ხანძარი და/ან

მოგაყენოთ სერიოზული პირადი ზიანი.

- **არასწორი მოპყრობის შემთხვევაში სითხემ შესაძლოა გამოიწვიოს აკუმულატორიდან; მოერიდეთ მასთან შეხებას. თუ შემთხვევით შეეხეთ სითხეს, ჩამოიბანეთ წყლით. თუ სითხე მოხვდა თვალებში, მიმართეთ ექიმს.** აკუმულატორიდან გამოიწვიოს სითხე შესაძლოა გამოიწვიოს გაღიზიანება ან დამწვრობა.

სპეციფიკაციები

მოდელის ნომერი	LM2020E	LM2020E-SP
თვითმომრავი სისტემა	No	დიახ
ძაბვა	56 ვოლტი	56 ვოლტი
დაუტვირთავი ბრუნვის სიჩქარე	3000 ბრ/წთ	3000 ბრ/წთ
ჭრის სიმაღლე	25-95 მმ	25-95 მმ
რეკომენდირებული საექსპლუატაციო ტემპერატურა:	0°C-40°C	0°C-40°C
რეკომენდირებული დასაწყობების ტემპერატურა:	-20°C-70°C	-20°C-70°C
ჭრის სიმაღლის პოზიციები	6	6
სადების ზომა	51 სმ	51 სმ
თიბვის სიგანე	50 სმ	50 სმ
ბალახის ტომრის მოცულობა	60 ლ	60 ლ
მთიბავის წონა (ბატარეის ბლოკის გარეშე, მულჩინგის ჩანართით)	24,4 კგ	27,2 კგ
დანის მოდელი	AB2001	AB2001
გაზომილი ხმის სიმძლავრის დონე L _{WA}	91,5 დბ(ა) K=1,80 დბ(ა)	91,0 დბ(ა) K=1,89 დბ(ა)
ბგერის წვევის დონე მომხმარებლის ყურზე L _{PA} K=3 dB(A)	79,5 დბ(ა)	79,2 დბ(ა)

KA

გარანტირებული ხმის სიმძლავრის დონე L_{WA} (2000/14/EC რეგულაციის მიხედვით)	93 დბ(ა)	93 დბ(ა)
ვიბრაციის შეფასება a_h $K=1.5 \text{ მ/ს}^2$	მარცხენა სახელური $\leq 2,5 \text{ მ/წმ}^2$	$\leq 2,5 \text{ მ/წმ}^2$
	მარჯვენა სახელური $\leq 2,5 \text{ მ/წმ}^2$	$\leq 2,5 \text{ მ/წმ}^2$
დანის მუხრუჭი	დიახ	დიახ

- მითითებული ვიბრაციის სრული მნიშვნელობა გაზომილია სტანდარტული ტესტირების მეთოდით და შესაძლოა გამოყენებულ იქნას ერთი ხელსაწყო მეთრესთან შედარებისას.
- მითითებული ვიბრაციის სრული მნიშვნელობა ასევე შესაძლოა გამოყენებულ იქნას ზემოქმედების პირველადი შეფასებისას.

შენიშვნა: ელექტრული ხელსაწყო ვიბრაციის ემისია გამოყენებისას შესაძლოა განსხვავდებოდეს მითითებული ოდენობისგან; მომხმარებელმა ხელსაწყოთი სარგებლობისას საჭიროა გამოიყენოს ხელთათმანები და ყურის დამცავი საშუალებები.

შეფუთვის ჩამონათვალი

წაწილის დასახელება	რაოდენობა
გაზონის საკრეჭი	1
ბალახის ტომარა	1
ბალახის ტომრის ჩარჩო	1
მულჩინგის ჩანართი	1
გვერდითი-დაცლის ღარი	1
უსაფრთხოების გასაღები	1
მომხმარებლის ინსტრუქცია	1

აღწერა

იყნობდეთ თქვენს ძრავას (ნახაზი A & B & C & D & E)

- 1 ბერკეტიანი გადამრთველი (გადამრთველი ბერკეტი)
- 2 სახელური
- 3 უსაფრთხოების დილაკი
- 4 თვითმომრავი ბერკეტი
- 5 სახელურიანი-ჩამკეტი მომჭერი
- 6 ბალახის ტომარა
- 7 ჭრის სიმაღლის რეგულირება ბერკეტი
- 8 უკანა საჭე
- 9 გვერდითი დაცლის კარი
- 10 გაზონსაკრეჭის სადგამი
- 11 სადგამის სახურავი
- 12 წინა ბორბალი
- 13 LED პროექტორები
- 14 ბატარეის-ბლოკის თავსახური
- 15 უკანა სახელური
- 16 სწრაფად-რეგულირებადი ბერკეტი
- 17 უკანა-დაცლის კარი
- 18 გვერდითი ლიანდაგი
- 19 თვითმომრავლებელი სიჩქარის-კონტროლის ბერკეტი
- 20 ჩამრთველი ფარი
- 21 დენის მაჩვენებელი
- 22 LED პროექტორების ჩამრთველი დილაკი
- 23 უსაფრთხოების დილაკი
- 24 უსაფრთხოების გასაღების ნახვეტი
- 25 მულჩინგის ჩანართი
- 26 გვერდითი დაცლის ღარი

გამოყენება

ბალახის ტომრის აწყობა

- 1) გადაიტანეთ ბალახის ტომარა ჩარჩოზე (ნახაზი F).
- 2) დაამაგრეთ ზედა მომჭერები ჩარჩოზე (ნახაზი G). შემდეგ შეკრიბეთ ორი გვერდითი მომჭერი. დაამაგრეთ ქვედა მომჭერი ბოლოს.
- 3) სრულად აწყობილი ბალახის ტომარა ნაჩვენებია ნახაზზე H.

KA

მორგებელი სახელურის რეგულირება

▲ გაფრთხილება: ნუ შეეცდებით დაიწყით გაზონსაკრეჭით მუშაობა, სანამ ჩამკეტი ჩაკეტილია, ორი ან სამი დავალების ოპერაციულ პოზიციებზე (ზედა ოპერაციული პოზიცია, შუა ოპერაციული პოზიცია და ქვედა ოპერაციული პოზიცია).

შენი გაზონსაკრეჭი აღჭრვილია კომპაქტური სახელურით, დაბლოკილი შენახვის პოზიციაში (ნახაზი I).

- 1) ამოქაჩეთ ორი სწრაფად-რეგულირებადი დილაკი და ჩართეთ 90°, რათა გადაიყვანოთ სახელური ჩაკეტილი მდგომარეობიდან შენახვის პოზიციაში.
- 2) აწიეთ სახელური მისი დაკეცილი პოზიციიდან, შემდეგ გაათავისუფლეთ ბერკეტი. რბილად შემოაბრუნეთ სახელური და აწიეთ მაღლა სანამ არ გაიგებთ ჩაკეტვის ხმას და დააფიქსირებთ ერთ-ერთ პოზიციაში, როგორც ეს მოცემულია ნახ. J.-ში.

ნახ. J ნაჩვენებია ნაწილების აღწერა მოცემულია ქვევით:

J-1	ჩაკეტილი შენახვის პოზიცია
J-2	ბალახის ჩანთის დამაგრება/მოხსნა
J-3	მაღალი მოქმედების პოზიცია
J-4	საშუალო დონის მოქმედების პოზიცია
J-5	დაბალი დონის მოქმედების პოზიცია

ბალახის ჩანთის დამაგრება/ მულჩის დამაგრება/ გვერდითი დასაცლელი ჩანთა

▲ გაფრთხილება: ძრავის შეჩერების გარეშე არ დაარეგულიროთ რაიმე სახით სათიბი, ჯერ მოხსენით უსაფრთხოების დილაკი და დაელოდეთ დანის ბრუნვის გაჩერებას.

შენიშვნა: ნებისმიერი ნაწილი მიამაგრეთ სათიბს მანამ, სანამ დაიწყებთ თიბვას.

დამაგრეთ/მოხსენით ბალახის ჩანთა (ნახ.K)

დაარეგულირეთ სახელური სასურველ პოზიციაში მოხსენით უკანა დასაცლელი კარი და დამაგრეთ ბალახის ჩანთა მოსახსნელად, პირდაპირ აწიეთ ბალახის ჩანთა ბოლო ეტაპზე, გაათავისუფლეთ უკანა

დასაცლელი კარი.

შენიშვნა: მოხსენით წინასწარ დამაგრებული მულჩის ნაწილი სათიბიდან სანამ ბალახის ჩანთას დაამაგრებთ სათიბზე.

მულჩის ნაწილის დამაგრება/მოხსნა (ნახ.L)

აწიეთ უკანა დასაცლელი ჩანთა და დამაგრეთ მულჩის ნაწილი სათიბზე. მოხსნისა, პირდაპირ გამოაღეთ ბოლო ეტაპზე, გაათავისუფლეთ უკანა დასაცლელი კარი.

გვერდითი დასაცლელი ჩანთის დამაგრება/ მოხსნა (ნახ. M)

აწიეთ გვერდით დასაცლელი კარი გაასწორეთ დასაცლელი ჩანთა დასაცლელი კარის დილაკის გასწვრივ, რომ იტრიალოს ღერძის ირგვლივ სანამ მყარად არ დამაგრდება დასაცლელ ჩანთაზე. მოსახსნელად, აწიეთ გვერდითი დასაცლელი კარი, აწიეთ გვერდით დასაცლელი ჩანთა მაღლა კარის დილაკებიდან.ნახ.

ნახ. M ნაჩვენებია ნაწილების აღწერა მოცემულია ქვევით:

M-1	გვერდითი დასაცლელი კარი
M-2	დილაკების ნაკრები
M-3	ნაკრების ბუდე
M-4	გვერდითი დასაცლელი ჩანთა
M-5	ბრუნვის ღერძი

შენიშვნა: მულჩირების ჩანართი უნდა დამონტაჟდეს, როდესაც გვერდითი დაცლის ღემი თანდართულია.

სიმაღლის ჭრის რეგულირება (ნახაზი N)

▲ გაფრთხილება: მოამორეთ ფეხები დგარს, როდესაც მის სიმაღლეს არგებთ. გაზონსაკრეჭი შეიძლება იყოს დამონტაჟებული 6 ჭრის სიმაღლეზე, 25მმ და 95მმ შორის. აირჩიეთ სწორი ჭრის სიმაღლე, ბალახის ტიპისა და მდგომარეობის მიხედვით.

შენიშვნა: ხელსაწყოს გადაადგილებისას, დარწმუნდით, რომ ჭრის სიმაღლე მორგებულია 3 ან უფრო მაღალი პოზიციით. თუ ამის გაკეთება ვერ მოხერხდა, ამან შეიძლება გამოიწვიოს დანის დაზიანება.

KA

აკუმულატორის ჩამაგრება/მოხსნა (ნახ. O)
გამოიყენეთ მხოლოდ ის აკუმულატორის ბლოკები და დამტენები, რომლებიც მითითებულია სურ. A-ში

დატენეთ პირველ ჯერზე სარგებლობამდე.

▲ გაფრთხილება: თუ რომელიმე ნაწილები გატეხილია ან დაკარგული, არ ეცადოთ ბატარეის ბლოკის მიბმა გაზონმკრეკისთვის ან მისი ამოქმედება, სანამ დაზიანებული ან დაკარგული ნაწილები არ შეიცვლება. ამ ინსტრუქციის უგულბელობა მოგაყენოთ სერიოზული ფიზიკური ზიანი.

■ ჩამაგრებისთვის

დააჭრეთ ბატარეის ბლოკს ბატარეის ნაწილში, სანამ არ გაიგებთ განყოფილების “დაწკაპუნებას”.

■ მოხსნისთვის

ხელი აუშვით ბატარეის გათავისუფლების დილაკს ბატარეის ნაწილში.

ნახ. O ნაჩვენები ნაწილების აღწერა მოცემულია ქვევით:

0-1	უსაფრთხოების გასაღების ნახვრეტები
0-2	უსაფრთხოების გასაღები
0-3	აკუმულატორის მოხსნის დილაკი

შენიშვნა: დარწმუნდით, რომ გაზონმკრეკის საკეტელა ადგილზე ჩავარდება და რომ ბატარეის ბლოკი უზრუნველყოფილია ოპერაციის დაწყებამდე.

გაზონმკრეკის ფუნქციონირება დაწყება/ შეჩერება

▲ გაფრთხილება: ელექტრული ხელსაწყო გამოყენებისას შესაძლოა უცხო სხეულის თვალების მიდამოში მოხვედრა, რამაც შესაძლოა გამოიწვიოს თვალის მნიშვნელოვანი დაზიანება. ყოველთვის გვეკეთეთ უსაფრთხოების სათვალეები გაზონმკრეკთან მუშაობის დროს ან მისი ნებისმიერი რეგულირების ან შეკეთების დროს.

▲ გაფრთხილება: დარწმუნდით რომ სხვა ადამიანები ან შინაური ცხოველები იმყოფებიან მინიმუმ 30მ მოშორებით

ელექტრო მთიბავით სარგებლობისას.

▲ გაფრთხილება: დანა გააგრძელებს ბრუნვას რამდენიმე წამის შემდეგ, როდესაც გაზონმკრეკი გამოირთვება. გააჩერეთ ელექტრომრავა/დანა, სანამ თავიდან არ ამოქმედდებთ მას. სწრაფად არ ჩართოთ გაზონმკრეკი და არ გამოერთოთ ის.

უსაფრთხოების გასაღები

იმისათვის, რომ თავიდან იქნას აცილებული გაზონმკრეკის შემთხვევითი ამუშავება ან არასანქცირებული გამოყენება, მოსახსნელი უსაფრთხოების გასაღები შედის თქვენი გაზონმკრეკის დიზაინში. გაზონმკრეკი მთლიანად შეზღუდული იქნება, როდესაც უსაფრთხოების გასაღებს ამოიღებთ იქიდან.

▲ საფრთხე: მზრუნვემა პირებმა შესაძლოა მოგაყენოთ სერიოზული ზიანი. სერიოზული დაზიანების თავიდან ასაცილებლად, ამოიღეთ უსაფრთხოების გასაღები, როდესაც გაზონმკრეკი გაჩერებულია ან როდესაც ახდენთ გაზონმკრეკის მორგებას, გაწმენდას, მომსახურებას, ტრანსპორტირებას, მოხსნას ან შენახვას.

შენიშვნა: ელექტრომრავი არ ჩაირთვება თუ:

- სახელური ჩაკეტილია ერთ-ერთ სამ საოპერაციო პოზიციაში, იხილეთ მორგებული სახელურების რეგულირება.
- გვერდითი ლიანდაგები სრულად გაგრძელებულია (ნახაზი P).
- ორივე მწვანე სახელურის-საკეტის დამკერები უსაფრთხოდ დახურულია (ნახაზი Q).

Q-1	მითითების ხაზი
-----	----------------

▲ ყურადღება: არ შეეცადოთ შეცვალოთ უსაფრთხოების დილაკისა და ბერკეტის დილაკის მოქმედება.

ჩასართავად

- 1) მიუმაგრეთ ბატარეის ბლოკი გაზონმკრეკეს, ჩაურჭვეთ უსაფრთხოების გასაღები გასაღები ნახვრეტში და დახუროთ ბატარეის თავსახური (ნახაზი O).

KA

- 2) ნახაზი R-ის მონაცემებით, ჩამოუშვით უსაფრთხოების ღილაკი ქვემოთ.
- 3) გადამრთველი ღილაკის გადართვით, მოქაჩეთ ბერკეტის ღილაკს ზემოთ სახელურისკენ და გაათავისუფლეთ უსაფრთხოების ღილაკი (ნახაზი S).

გამოსართველად

- 1) ბოლომდე აუშვით ჩასართველი.
- 2) ელექტრული მუხრუჭი ავტომატურ მექანიზმში გააჩერებს პირის ბრუნვას ჩასართველის აშვებიდან 3 წაში.

ცვალებადი სიჩქარე - სიჩქარის სელფი - პროპელის სისტემა (მხოლოდ მოდელი LM2020E-SP)

LM2020E-SP სათიბი მანქანა აღჭურვილია ცვალებადი სიჩქარის სელფ-პროპელის თვისებით. სისტემა ჩასართველისგან დამოუკიდებლად მუშაობს; დანის პირის ბრუნვაზე დამოკიდებული არ არის.

სისტემის ასამუშავებლად დანის პირის რუნვის გარეშე სელფ პროპელის მექანიზმი სახელურისკენ მოქაჩეთ.

პროპელის გამოსართველად სელფ პროპელის მექანიზმი აუშვით.

სისტემას ცვალებადი სიჩქარეები აქვს. სიჩქარის გასაზრდელად სელფ პროპელის სიჩქარის ჩამრთველი ბერკეტი წინ გადაწიეთ. სიჩქარის შესამცირებლად სელფ პროპელის სიჩქარის ჩამრთველი ბერკეტი უკან გადაწიეთ. (ნახ. T).

დანის პირის ბრუნვის ამუშავება დაჭრის მიზნით:

1. ჩართეთ სათიბი მანქანა.
2. ჩამრთველი მარცხენა ხელით დაიჭირეთ სახელურთან, გამოქაჩეთ სელფ პროპელის მექანიზმი სახელურისკენ მარჯვენა ხელით.
3. სელფ პროპელის მექანიზმი და ჩამრთველი ერთდროულად დაიჭირეთ სახელურისკენ მარჯვენა ხელით და მარცხენა ხელი გამოიყენეთ სელფ პროპელის სიჩქარის გადასართველის ბერკეტის სასურველი სიჩქარის შესარჩევად.

▲ გაფრთხილება: დაზიანების რისკის შესამცირებლად არასდროს დატოვოთ უყურადღებოთ ჩამრთველის ან სელფ პროპელის სისტემა მუშაობისას. სელფ პროპელი გამოიყენეთ მხოლოდ მიზნობრივად.

წინა ფარის სინათლე (ნახ. A-13)

დააჭირეთ ჩამრთველ ღილაკს (ნახ. C-22) წინა სინათლისჩასართავად და გამოსართავად, აკუმულატორის განყოფილების წინა ნაწილში.

სათიბ მანქანაზე სიმძლავრის/ენერჯის ინდიკატორი (ნახ. U)

სათიბ მანქანას აქვს სიმძლავრის მაჩვენებელი, რომელიც დატენილი აკუმულატორის და სათიბი მანქანის ინდიკატორი აინთება როდესაც დანის პირი ბრუნვას ან წინა შუქი ჩართულია. სიმძლავრის ინდიკატორი სათიბ მანქანაზე.

განათება მწვანე ფერით	მნიშვნელობა	მოქმედება
განათება წითელი ფერით	სათიბი მანქანა კარგად მუშაობს; აკუმულატორი და-ტენილია მინიმუმ 15%ით	არარეგულარული
მოკლე განათება წითელი ფერით	სუსტი აკუმულატორი	გააჩერეთ სათიბი მანქანა და დატენეთ აკუმულატორი
მოკლე განათება წითელი ფერით	აკუმულატორი თითქმის დაცლილია	გააჩერეთ სათიბი მანქანა და დატენეთ აკუმულატორი

KA

განათება ნარ-ინჯისფერი ფერით	სათიბი მანქანა ან აკუმულატორი გად-ახურდა	ამოიღეთ აკუმულატორი სათიბი მანქანიდან, მოათავსეთ ჩრდილში, გააგრილეთ სულ მცირე 15 წუთით
მოკლე განათება ნარინჯი-სფერი ფერით	სათიბი მა-ნქანა არის გადატვირთული	შეამცირეთ ტემპი და დატვირთვა ჭრის დროს

სათიბი მანქანის ზედმეტად დატვირთვისგან დაცვა

ზედმეტად დატვირთვის თავიდან ასაცილებლად არ აიღოთ ერთბაშად დიდი რაოდენობის ბალახი შეამცირეთ ტემპი ან აწიეთ ჭრის სიმაღლე

სათიბ მანქანაში არის ჩამონტაჟებული სათიბი მანქანის ზედმეტად დატვირთვისგან დაცვის მექანიზმი როდესაც სათიბი მანქანა გადატვირთულია, ძრავა გაჩერდება და სიმძლავრის ინდიკატორი სათიბ მანქანაზე გაანათებს ნარინჯისფრად. მოხსენით აკუმულატორი სათიბი მანქანიდან. შეამოწმეთ ბალახი დაფის ქვეშ, დაცალეთ საჭიროების შემთხვევაში, შემდეგ ჩადეთ აკუმულატორი და ხელახლა ჩართეთ სათიბი მანქანა.

აკუმულატორის დაცვა მაღალი ტემპერატურისგან

აკუმულატორი მუშაობის პროცესში გახურდება სიციხე უფრო ნელი ტემპით გადაივლის ცხელ ამინდში თუ აკუმულატორის ტემპერატურა 70°C-ს გადაჭარბებს მუშაობის პროცესში, დამცავი სისტემა მაშინვე გამორთავს სათიბ მანქანას აკუმულატორის დაზიანების თავიდან აცილების მიზნით სიმძლავრის მაჩვენებელი სათიბ მანქანაზე გაანათებს ნარინჯისფრად ხოლო წინა ფარი აინთება ნარინჯისფრად. აუშვით სახელური, დაელოდეთ აკუმულატორის გაგრილებას დაახლოებით 67°C-მდე, ხელახლა ჩართეთ / გადატვირთეთ სათიბი მანქანა.

ეესპლუატაცია

▲ გაფრთხილება: სერიოზული ზიანისგან თავის არიდების მიზნით ყოველთვის მოხსენით აკუმულატორი ხელსაწყოს როდესაც წმინდადეთ მას ან უტარებთ რაიმე ტიპის სერვისს.

▲ გაფრთხილება: ტექნიკური სერვისისას გამოიყენეთ მხოლოდ იდენტური სათადარიგო ნაწილები. სხვა ნებისმიერი ნაწილის გამოყენებამ შესაძლოა შექმნას საფრთხე ან გამოიწვიოს ხელსაწყო დაზიანება. ხელსაწყო უსაფრთხოდ და გამართულად მუშაობისთვის საჭიროა მისი ყველა შეკეთება და ნაწილის შეცვლა შესრულდეს კვალიფიციური სერვისის ტექნიკოსის მიერ.

ხელსაწყოს განმუშავების წესი

▲ გაფრთხილება: ყოველთვის მოხსენით უსაფრთხოების დილაკი და აკუმულატორი სათიბი მანქანის ტრანსპორტირებისას ან შეკეთებისას.

სათიბი მანქანის უკანა ნაწილის უნდა გაიწმინდოს ყოველი გამოყენების შემდეგ, როდესაც ბალახი, ფოთლები, მტვერი და სხვა ნარჩენები დაგროვდება. სასურველია ეს ნარჩენების არ დაგროვდეს, რამდენადაც ეს გამოიწვევს ლითონის ნაწილების დაჟანგვას და სათიბი მანქანის ეფექტურობის გაუარესებას.

ამოიღეთ ბალახის და ფოთლების ნარჩენები ღერძიდან (LM2020E-SP) და ძრავის ვენტოლატორიდან (არ გამოიყენოთ წყალი). გაწმინდეთ გაზონსაკრეჭი ნოტიო ქსოვილით.

დანის მოხსნა/დამონტაჟება

▲ გაფრთხილება: ყოველთვის გამოიყენეთ დამცავი ხელთათმანები ან ბასრი ნაპირები რაიმე ნაჭრით შეფუთეთ როდესაც შეხება გაქვთ მუშაობისას ბასრ პირთან

■ დანის მოხსნა (ნახ. W)

შენიშვნა: ჭანჭიკის ბრუნვისას როდესაც გაფართოვდება ჩართეთ ხელით ვენტოლატორი დანის პირზე ნახვრეტებით, და მოათავსეთ მეტალის ღერძი ამ ნახვრეტებში.

■ დანის დაყენება

ნაკრების თანმიმდევრობის მიხედვით რომელიც მოცემულია ნახ. V-ში ქვედა ზედაპირთან მდებარე დანის პირი დაუკავშირეთ ნახვრეტებს ვენტილატორში, შემდეგ დაჭიმეთ როგორც ეს მოცემულია ნახ. X.

ნახ. V & W ნაჩვენებია ნაწილების აღწერა მოცემულია ქვევით:

V-1	ფენი	V-5	ბოლტი
V-2	შიდა შვერილი	W-1	სტაბილი ზატორი 1
V-3	დანა	W-2	სტაბილი იზატორი 2
V-4	გარეთა შვერილი	W-3	14მმ გასაღები

შენიშვნა: რეკომენდებულია დანის ზედაპირის დაჭიმვისთვის 49-59ნმ.

ხელსაწყოების შენახვის წესი

- მოხსენით აკუმულატორი მანქანიდან და მოათავსეთ გრილ, მშრალ და სუფთა ადგილას. არ შეინახოთ კოროზიულ მასალასთან ახლოს, როგორცაა სასუქი ან ქვამარილი.
- შეინახეთ მანქანა დახურულ სივრცეში, გრილ და მშრალ, ბავშვებისგან მიუწვდომელ ადგილას.
- არ გადააფაროთ სათიბ მანქანას მყარი პლასტმასის სახურავი პლასტმასის სახურავი სინესტეს წარმოქმნის რაც გამოიწვევს მანქანის დაჟანგვას
- სათიბი მანქანა შეიძლება შეინახოთ ვერტიკალურ ან ბრტყელ მდგომარეობაში (ნახ. Z).

⚠ გაფრთხილება: თუ მანქანა ვერტიკალური პოზიციიდან გადმოიხრება, შესაძლოა გამოიწვიოს დაზიანება ყოველთვის შეინახეთ სათიბი მანქანა ბავშვებისგან მიუწვდომელ, სტაბილურ ადგილას, როდესაც ის ვერტიკალურად არის მოთავსებული. შეძლებისდაგვარად, შენახვისას მოათავსეთ ბრტყელ

მდგომარეობაში.

გარემოს დაცვა



არ მოახდინოთ ელექტრული მოწყობილობის, აკუმულატორის დამტენის და მისი ბატარეების მოთავსება საყოფაცხოვრებო ნაგავში!

ევროკავშირის 2012/19/EU რეგულაციის მიხედვით, ელექტრული და ელექტრონული ხელსაწყოები, რომლებიც აღარ გამოიყენება, ასევე 2006/66/EC რეგულაციის მიხედვით, დეფექტური ან გამოყენებული აკუმულატორები/ბატარეები, უნდა შეგროვდეს ცალკეულად.

ელექტრული მოწყობილობების ნაგავსაყრელზე მოთავსებისას, სახიფათო ნარჩენები შესაძლოა გაიჟონოს გრუნტის წყლებში და მოხვდეს საკვებ ჯაჭვში, რამაც შესაძლოა დაზიანოს თქვენი ჯანმრთელობა და კეთილდღეობა.

KA

გაუმართაობის დიაგნოსტიკა

▲ გაფრთხილება: ყოველთვის მოხსენით უსაფრთხოების ღილაკი და აკუმულატორი სათიბი მანქანის ტრანსპორტირებისას ან შეკეთებისას. ყოველთვის გამოიყენეთ დამცავი ხელთათმანები ან ბასრი ნაპირები რაიმე ნაჭრით შეფუთეთ როდესაც შეხება გაქვთ მუშაობისას ბასრ პირთან.

პრობლემა	მიზეზი	გადაჭრის გზა
სათიბი არ ირთვება	<ul style="list-style-type: none"> ■ აკუმულატორი დაცლილია. ■ აკუმულატორი არ არის .მოთავსებული აკუმულატორის ზედა განყოფილებაში. ■ აკუმულატორი ან ელექტრული თავი ზედმეტად გაცხელებულია. (სიმძლავრის ინდიკატორი აინთება ნარინჯისფრად 10 წამში). ■ გვერდითი ძელაკები არ არის მაქსიმალურ სიგრძეზე დაჭიმული და მომჭერები არ არის ჩაკეტილ, ფიქსირებულ პოზიციაში. ■ სახელური არ არის მოთავსებული სამი სამუშაო პოზიციიდან ერთ-ერთ პოზიციაში. ■ სათიბის ქვედა ზედაპირი/ იატაკი გაჭედებულია ბალახით და ნარჩენებით. 	<ul style="list-style-type: none"> ■ დატენეთ აკუმულატორი. ■ მოათავსეთ აკუმულატორი სათიბზე, დააჭირეთ სანამ ხმას არ გაიგებთ. ■ აცალეთ სათიბს ან აკუმულატორს გაგრილება 67°C-ის ქვევით. ■ მოლიანად დაჭიმეთ სახელური და ორივე საჭერით დაკეტეთ. ■ დააფიქსირეთ სახელური სამიდან ერთ-ერთ პოზიციაში. ■ გაწმინდეთ სათიბის ქვედა ნაწილი/ზედაპირი და დარწმუნდით, რომ დანა თავისუფლად მოძრაობს.
სათიბი უსწორმასწოროდ ჭრის	<ul style="list-style-type: none"> ■ დანა გაჭედილია. ■ ჭრის სიმაღლე არ არის სწორად არეგულირებული. ■ დანა არასწორადაა აწყობილი. 	<ul style="list-style-type: none"> ■ გალესეთ ან შეცვალეთ დანა. ■ აწიეთ სათიბის ქვედა მხარე/ ზედაპირი ჭრის მაღალ დონემდე. ■ შეზეთეთ დანა, მიყევით მომხმარებლის ინსტრუქციაში სექციას „დანის შეზეთვა“.

პრობლემა	მიზეზი	გადაჭრის გზა
სათიბი წყვეტს მუშაობას ჭრის პროცესში	<ul style="list-style-type: none"> აკუმულატორი დაცლილია. სათიბი გადაჭედულია. სათიბის ქვედა ზედაპირი გადაჭედულია ბალახით და ნარჩენებით. აკუმულატორი ან ელექტრული თავი ზედმეტად გაცხელებულია. (სიმძლავრის ინდიკატორი აინთება ნარინჯისფრად 10 წამში). გვერდითი ძელაკი უკან გადახრილია სახელურზე ძალით ზემოქმედების შედეგად. 	<ul style="list-style-type: none"> დატენეთ აკუმულატორი. აწიეთ ჭრის სიმაღლე ან შეამცირეთ ჭრის/თიბვის ტემპი. გაათავისუფლეთ სათიბის ქვედა ნაწილი/ზედაპირი. აწიეთ ჭრის სიმაღლის დონე ან ვიწრო ზოლად გათიბეთ. აცალეთ სათიბს ან აკუმულატორს გაგრილება 67°C-ის ქვევით. საჭერები გახსენით. გვერდითი ძელაკები ბოლომდე დაჭიმეთ და საჭერები ისევ დაკეტეთ.
სათიბი სწორად არ აკეთებს მულჩირებას	<ul style="list-style-type: none"> სველი ბალახის ნარჩენები ქვედა ზედაპირზე არის მიკრული. სათიბი ერთბაშად ჭარბი რაოდენობით ბალახს ჭრის. 	<ul style="list-style-type: none"> დაელოდეთ სანამ ბალახი გაშრება მოთიბვამდე. აწიეთ სათიბის ქვედა მხარე/ზედაპირი ჭრის მაღალ დონემდე.
გადაჭარბებული ვიბრაცია	<ul style="list-style-type: none"> დანა არის მოშვებული. დანა არ არის კარგად დაფიქსირებული. დანა გადახრილია. ძრავის ღერძი გადახრილია. 	<ul style="list-style-type: none"> მოუჭირეთ დანის ჭანჭიკი. დააფიქსირეთ დანა ინსტრუქციის მიხედვით. დანის შეცვლა. დაუკავშირდით სერვის ცენტრს.
სახელურის ჩამკეტი მომჭერები არ იკეტება	<ul style="list-style-type: none"> გვერდითი ძელაკები არ არის სრულად დაჭიმული. 	<ul style="list-style-type: none"> გვერდითი ძელაკები ბოლომდე დაჭიმეთ და საჭერები ისევ დაკეტეთ.

გარანტია

EGO-ს გარანტიის მომსახურების წესი

KA

გთხოვთ ეწვიოთ ვებ-გვერდს egopowerplus.com, რათა მიიღოთ EGO-ს საგარანტიო მომსახურების სრული დადგენილებები და პირობები.

PROČITAJTE SVA UPUTSTVA!



PROČITAJTE I SHVATITE PRIRUČNIK SA UPUTSTVIMA

⚠ UPOZORENJE: Da bi se osigurala sigurnost i pouzdanost, sve popravke i zamene treba da radi kvalifikovani servisni tehničar.

Predviđena upotreba i moguća zloupotreba: Proizvod je namenjen isključivo za košenje trave u baštama domaćinstava. Ne sme se koristiti za košenje jako visoke, suve ili mokre trave, npr. trave na pašnjaku, ili za seckanje lišća. Proizvod treba koristiti samo za propisanu svrhu. Svaka druga upotreba smatra se slučajem zloupotrebe.

SIGURNOSNI SIMBOLI

Svrha sigurnosnih simbola je da vam skrenu pažnju na moguće opasnosti. Sigurnosni simboli i objašnjenja uz njih zaslužuju vašu pomnu pažnju i shvatanje. Simboli upozorenja, sami po sebi, ne eliminišu nikakve opasnosti. Uputstva i upozorenja koja oni daju nisu zamena za odgovarajuće mere sprečavanja nezgoda.

⚠ UPOZORENJE: Obavezno pročitajte i shvatite sva sigurnosna uputstva u ovom Priručniku za rukovaoca, obuhvatajući i sve simbole sigurnosnih upozorenja poput „OPASNOST“, „UPOZORENJE“, i „OPREZ“ pre korišćenja ovog alata. Nepridržavanje svih dole navedenih uputstava može da dovede do strujnog udara, požara i/ili ozbiljne telesne povrede.

ZNAČENJE SIMBOLA

SIMBOL SIGURNOSNOG UPOZORENJA: Ukazuje na **OPASNOST**, **UPOZORENJE** ili **OPREZ**; može se koristiti zajedno sa drugim simbolima ili piktogramima.



⚠ UPOZORENJE: Rukovanje svakim električnim alatom može da dovede do izbacivanja stranih tela ka očima, što može da dovede do ozbiljnog oštećenja očiju. Pre započinjanja rada sa električnim alatom, uvek stavite sigurnosne naočare sa bočnim štitnicima ili po potrebi masku za celo lice. Preporučujemo sigurnosnu masku Wide Vision za upotrebu preko naočara ili standardnih sigurnosnih naočara sa bočnim štitnicima.

SIGURNOSNA UPUTSTVA

Ova stranica prikazuje i opisuje sigurnosne simbole koji mogu da se pojave na ovom proizvodu. Pročitajte, shvatite i sledite sva uputstva na mašini pre no što pokušate da je sklopite i da rukujete njom.

	Sigurnosno upozorenje	Mere opreza koje uključuju vašu sigurnost.
	Pročitajte Priručnik za rukovaoca	Da bi smanjio rizik od povreda, korisnik pre korišćenja ovog proizvoda mora pročitati i shvatiti priručnik za rukovaoca.
	Čuvajte se oštih sečiva	Sečiva nastavljaju da se okreću nakon što je motor isključen – uklonite blokadu pre održavanja. Isključite mašinu i uklonite odvojivu bateriju (ili blokadu) pre podešavanja ili čišćenja.
	Držite prolaznike podalje	Osigurajte da drugi ljudi i kućni ljubimci budu udaljeni najmanje 30 m od kosilice kada je u upotrebi.
	držite stopala i šake podalje	držite stopala i šake podalje
	CE	Ovaj proizvod je u skladu sa primenljivim EC direktivama.
	UKCA	Ovaj proizvod je u skladu sa primenljivim zakonima u UK.
	WEEE	Otpadne električne proizvode ne bi trebalo odlagati zajedno sa otpadom iz domaćinstva. Odnesite ih u ovlašćeni pogon za reciklažu.
	Buka	Garantovan nivo jačine zvuka. Emisija buke u okruženju prema Direktivi Evropske zajednice.

SR

IPX4	IP simbol	Zaštita od prodiranja vode - stepen 4
V	Volt	Voltaža
A	Amperi	Struja
Hz	Herc	Frekvencija (ciklusi u sekundi)
W	Vat	Snaga
min	Minuti	Vreme
	Naizmjenična struja	Tip struje
	Jednosmerna struja	Tip ili karakteristika struje
n ₀	Brzina bez opt-ere-će-nja	Rotaciona brzina, bez opterećenja
... /min	U minutu	Obrtaji u minutu

OPŠTA SIGURNOSNA UPOZORENJA ZA ELEKTRIČNI ALAT

⚠ UPOZORENJE: PROČITAJTE SVA SIGURNOSNA UPOZORENJA, UPUTSTVA, ILUSTRACIJE I SPECIFIKACIJE PRILožENE UZ OVAJ ELEKTRIČNI ALAT. Nepridržavanje svih dolenađenih uputstava može da dovede do strujnog udara, požara i/ili ozbiljne povrede

SAČUVAJTE SVA UPOZORENJA I UPUTSTVA ZA BUDUĆU UPOTREBU.

Pojam „električni alat“ u upozorenjima označava električni alat (sa žicom) koji se uključuje u utičnicu ili električni alat (bežični) na baterije.

BEZBEDNOST NA RADNOM PODRUČJU

- Održavajte radno područje čistim i dobro osvetljenim. Na pretrpanim ili mračnim područjima su veće šanse da dođe do nezgoda.
- Ne koristite električne alate u eksplozivnim atmosferama, kao na primer u prisustvu zapaljivih tečnosti, gasova ili prašine. Električni alat stvara varnice koje mogu zapaliti prašinu ili isparenja.
- Držite decu i prolaznike podalje dok koristite električni alat. Ako vam neko odvraći pažnju, možete izgubiti kontrolu.

ELEKTRIČNA BEZBEDNOST

- Utičać električnog alata mora odgovarati utičnici.

Nikada ne modifikujete utikač ni na koji način. Ne koristite adapterske utikače sa uzemljenim električnim alatom. Nemodifikovani utikači i odgovarajuće utičnice će smanjiti rizik od strujnog udara.

- Izbegavajte kontakt delova tela sa uzemljenim površinama, poput cevi, radijatora, šporeta i frižidera. Postoji povećan rizik od strujnog udara ako je vaše telo uzemljeno.
- Ne izlažite električne alate kiši ili mokrim uslovima. Voda koja uđe u električni alat povećaće rizik od strujnog udara.
- Nemojte zloupotrebljavati kabl. Nikada ne koristite kabl za nošenje, vučenje ili isključivanje iz utičnice električnog alata. Čuvajte kabl podalje od toplote, ulja, oštih ivica ili pokretnih delova. Oštećen ili upetljan kabl povećava rizik od strujnog udara.
- Kada koristite električni alat na otvorenom prostoru, koristite produžni kabl pogodan za korišćenje na otvorenom prostoru. Upotreba kabla pogodnog za korišćenje na otvorenom prostoru smanjuje rizik od strujnog udara.
- Ako je korišćenje električnog alata u vlažnom području neizbežno, koristite izvor napajanja sa zaštitnim uređajem diferencijalne struje (RCD). Korišćenje RCD smanjuje rizik od strujnog udara.

LIČNA BEZBEDNOST

- Ostanite u pripravnosti, pazite šta radite i koristite zdrav razum kada koristite električni alat. Ne koristite električni alat kada ste umorni ili pod uticajem droga, alkohola ili lekova. Trenutak nepažnje kada koristite električni alat je dovoljan da izazove ozbiljne telesne povrede.
- Koristite ličnu zaštitnu opremu. Uvek nosite zaštitu za oči. Zaštitna oprema poput maske za prašinu, radnih cipela koje se ne klizu, šlema ili zaštite sluha će, kada se koristi za odgovarajuće uslove, smanjiti telesne povrede.
- Sprečite slučajno pokretanje. Osigurajte da prekidač bude u isključenom položaju pre povezivanja na izvor napajanja i/ili bateriju, podizanja ili nošenja alata. Nošenje električnih alata sa prstom na prekidaču ili uključivanje u utičnicu električnih alata čiji prekidač je u uključenom položaju priziva nezgode.
- Uklonite sve ključeve za podešavanje pre uključivanja električnog alata. Ključ koji ostane pričvršćen za rotacioni deo električnog alata može da izazove telesnu povredu.

- **Ne presežite. U svakom trenutku održavajte pravilan položaj nogu i ravnotežu.** To omogućava bolju kontrolu električnog alata u neočekivanim situacijama.
- **Prikladno se obucite. Ne nosite labavu odeću niti nakit. Držite kosu, odeću i rukavice dalje od pokretnih delova.** Labava odeća, nakit ili duga kosa mogu da se zakače pokretnim delovima.
- **Ako su priloženi uređaji za povezivanje delova za izbacivanje i prikupljanje prašine, osigurajte da oni budu povezani i da se pravilno koriste.** Upotreba uređaja za prašinu može da smanji opasnosti koje izaziva prašina.
- **Ne dozvolite da zbog poznavanja koje ste stekli kroz čestu upotrebu alata postanete samozadovoljni i ignorirate principe bezbednosti alata.** Nemarni postupak može da izazove ozbiljnu povredu u deliću sekunde

UPOTREBA I ODRŽAVANJE ELEKTRIČNOG ALATA

- **Ne silite električni alat. Koristite odgovarajući električni alat za ono što radite.** Odgovarajući električni alat uradiće posao bolje i bezbednije onom brzinom za koju je dizajniran.
- **Ne koristite električni alat ako ga prekidač ne uključuje i isključuje.** Svaki električni alat koji se ne može kontrolisati prekidačem je opasan i mora se popraviti.
- **Odvoyite utikač iz izvora napajanja i/ili bateriju iz električnog alata pre bilo kakvog podešavanja, menjanja dodataka ili skladištenja električnog alata.** Takve preventivne sigurnosne mere smanjuju rizik od nehotičnog pokretanja električnog alata.
- **Skladištite isključene električne alate van domašaja dece i ne dozvolite osobama koje nisu upoznate sa ovim električnim alatom ili ovim uputstvom da rukuju električnim alatom.** Električni alat je opasan u rukama ne kvalifikovanih korisnika.
- **Održavajte električni alat i dodatke. Proverite pravilno poravnanje ili spojeve pokretnih delova, lomljenje delova i sva druga stanja koja mogu da utiču na rad električnog alata. Ako je oštećen, odnesite električni alat na popravku pre upotrebe.** Mnoge nezgode su izazvane loše održanim električnim alatom.
- **Održavajte alate koji seku ostrim i čistim.** Pravilno održavani alati za sečenje sa ostrim ivicama za sečenje se ređe zapetljavaju i lakše se kontrolišu.
- **Koristite električni alat, dodatke, delove itd. u skladu sa ovim uputstvom, uzimajući u obzir radne uslove i rad koji treba obaviti.** Korišćenje električnog alata za rad drugačiji od predviđenog moglo bi da dovede do opasne situacije.

- **Održavajte drške i površine koje hvatate suvim, čistim i bez ulja i masnoće.** Klizave drške i površine koje hvatate mogu dovesti do nebezbednog rukovanja i/ili gubitka kontrole nad alatom.

UPOTREBA I ODRŽAVANJE ALATA NA BATERIJE

- **Punite samo punjačem koji navodi proizvođač.** Punjač koji je prikladan za jedan tip baterije može da stvori opasnost od požara kad se koristi sa drugom baterijom.
- **Koristite električni alat samo sa konkretno imenovanim baterijama.** Upotreba bilo kakvih drugih baterija može da stvori rizik od povrede i požara.
- **Kad se baterija ne koristi, držite je dalje od drugih metalnih predmeta, poput spajalica, novčića, ključeva, eksera, vijaka ili drugih malih metalnih predmeta koji mogu da naprave spoj jednog terminala sa drugim.** Kratak spoj terminala baterije može da izazove opekotine ili požar.
- **U ekstremnim uslovima može doći do curenja tečnosti iz baterije; izbegavajte kontakt sa njom. Ako dođe do nehotičnog kontakta, isperite vodom. Ako tečnost dođe u kontakt sa očima, takode potražite i medicinsku pomoć.** Tečnost iz baterije može da izazove iritaciju ili opekotine.
- **Ne koristite bateriju ili alat koji su oštećeni ili modifikovani.** Oštećene ili modifikovane baterije mogu da ispolje nepredvidivo ponašanje, dovodeći do požara, eksplozije ili rizika od povrede.
- **Ne izlažite bateriju ili alat vatri ili previsokoj temperaturi.** Izlaganje vatri ili temperaturi iznad 130 °C može izazvati eksploziju.
- **Pratite sva uputstva za punjenje i ne punite bateriju ili alat izvan temperaturnog opsega navedenog u uputstvima.** Punjenje na nepravilan način ili na temperaturama izvan navedenog opsega može da ošteti bateriju i poveća rizik od požara.

SERVIS

- **Odnosite električni alat na servisiranje kod kvalifikovanog serviseru koji će koristiti samo identične rezervne delove.** To će osigurati da bezbednost električnog alata bude održana.
- **Nikad ne servisirajte oštećene baterije.** Servisiranje baterija treba da radi samo proizvođač ili ovlašćeni servis.

SIGURNOSNA PRAVILA ZA BEŽIČNU KOSILICU ZA TRAVU

⚠ OPASNOST: Ova mašina je napravljena da bi se njome rukovalo prema pravilima za siguran rad obuhvaćenim ovim priručnikom. Kao i sa svakim tipom električne opreme, nemar ili greška rukovaoca mogu da dovedu do ozbiljne povrede. Ova mašina može da povredi šake i stopala i da izbaci predmete. Nepridržavanje svih sigurnosnih uputstava moglo bi da dovede do ozbiljne povrede ili smrti.

⚠ UPOZORENJE: Kada se koriste bežične kosilice za travu, uvek se treba pridržavati osnovnih sigurnosnih mera opreza da bi se smanjio rizik od požara, strujnog udara i telesne povrede.

VAŽNO

PAŽLJIVO PROČITATI PRE UPOTREBE. SAČUVATI ZA BUDUĆU UPOTREBU.

SIGURNOSNA PRAVILA ZA BEŽIČNE KOSILICE ZA TRAVU:

OPREZ - NE DODIRUJTE SEČIVO KOJE SE OKREĆE!

OBUKA

- Pažljivo pročitajte uputstvo. Upoznajte se sa kontrolama i pravilnom upotrebom mašine.
- Nikad ne dozvolite ljudima koji nisu upoznati sa ovim uputstvima ili deci da koriste mašinu. Lokalni propisi mogu da ograniče uzrast rukovaoca.
- Nika ne kosite dok su ljudi, naročito deca, ili kućni ljubimci u blizini.
- Rukovalac ili korisnik je odgovoran za nezgode ili opasnosti po druge ljude ili njihovu imovinu.

PRIPREMA

- Dok kosite, uvek nosite čvrstu obuću i duge pantalone.
- Ne rukujte mašinom dok ste bos ili nosite sandale ili papuče. Izbegavajte nošenje odeće koja je labava ili ima viseće trake ili vrpce.
- Temeljno pregledajte površinu na kojoj ćete koristiti mašinu i uklonite svo kamenje, štapove, žice, kosti i druge strane predmete.
- Pre korišćenja, uvek vizuelno pregledajte mašinu da biste proverili da li su sečiva, zavrtnji sečiva i sklop sekača pohabani ili oštećeni. Zamenite pohabana ili oštećena sečiva i zavrtnje u kompletu da biste očuvali balans. Zamenite oštećene ili nečitljive etikete.

SR

RUKOVANJE

- Kosite samo po dnevnom svetlu ili dobrom veštačkom svetlu.
- Izbegavajte rukovanje mašinom na mokroj travi, gde je izvodljivo.
- Uvek vodite računa o položaju nogu na nagibima.
- Hodajte; nikad nemojte trčati.
- Za rotacione kosilice sa točkovima, kosite popreko na nagibu, nikad uzbrdo i nizbrdo.
- Budite krajnje oprezni kad menjate smer na nagibima.
- Ne kosite na prekomerno strmim nagibima.
- Budite krajnje oprezni kad idete unazad ili vučete mašinu prema sebi.
- Zaustavite sečivo (sečiva) ako treba da nagnete mašinu radi transporta kad prelazite preko površina koje nisu travnate, te kad transportujete mašinu do površine koju ćete kositi i od nje.
- Nikad ne rukujte mašinom sa defektnim branicima ili štitnicima, ili bez postavljenih sigurnosnih uređaja, na primer deflektora i/li hvatača trave.
- Uključite motor prema uputstvu, držeći stopala dosta dalje od sečiva.
- Ne nagnite mašinu dok uključujete motor, osim ako mašina mora biti nagnuta za pokretanje. U tom slučaju, ne nagnite je više nego što je apsolutno neophodno i podignite samo onaj deo koji je dalje od rukovaoca. Uvek osigurajte da obe ruke budu u radnom položaju pre vraćanja mašine na tlo. Ne pokrećite mašinu kad stojite ispred izlaznog otvora.
- Ne stavljajte šake ili stopala blizu ili ispod rotirajućih delova. Za rotacione kosilice, sve vreme se držite dalje od izlaznog otvora.
- Nikad ne podižite ili nosite mašinu dok motor radi.
- Isključite i uklonite odvojivu bateriju (ili blokadu) i vodite računa da su se svi pokretni delovi potpuno zaustavili pre podešavanja ili čišćenja:
- Svaki put kad napuštate mašinu;
- Pre čišćenja čepa i otpušavanja kanala;
- Pre proveravanja, čišćenja ili rada na mašini;
- Posle nailaženja na strani predmet. Pogledajte da li mašina ima oštećenja i popravite je prema potrebi.
- Ako mašina počne abnormalno da vibrira (smesta proverite):
- Pogledajte da li ima oštećenja;
- Zamenite ili popravite sve oštećene delove;
- Proverite i zategnite sve labave delove.

ODRŽAVANJE I SKLADIŠTENJE

- Budite pažljivi tokom podešavanja mašine da biste

sprečili zarobljavanje prstiju između sečiva u pokretu i fiksnih delova mašine.

- Držite sve navrtne, zavrtnje i vijke zategnutim da biste bili sigurni da je mašina u bezbednom radnom stanju.
- Često proveravajte da li na hvataču trave ima habanja ili propadanja.
- Zamenite pohabane ili oštećene delove zbog bezbednosti.
- Čišćenje i korisničko održavanje ne smeju da rade deca bez nadzora.
- Kad servisirate sečiva, imajte u vidu da, čak i ako je izvor napajanja isključen, sečiva se i dalje mogu pomerati.
- Za rotacione kosilice, osigurajte da se koriste isključivo rezervna sredstva za sečenje odgovarajućeg tipa.

LIČNA BEZBEDNOST

Tragične nezgode mogu se desiti ako rukovalac ne vodi računa o prisustvu dece. Deca su često privučena kosilici i aktivnosti košenja. Ona ne shvataju opasnosti. Nikad ne pretpostavljajte da će deca ostati tamo gde ste ih poslednji put videli.

- Držite decu van površine koju kosite i pod budnim okom odgovorne odrasle osobe koja ne rukuje kosilicom.
- Budite oprezni i isključite kosilicu ako dete uđe na površinu koju kosite.
- Budite krajnje pažljivi kad se približavate slepim uglovima, dovracima, žbunju, drveću ili drugim predmetima koji vam mogu zakloniti pogled na dete koje može da natrči na kosilicu.
- Decu treba nadzirati da bi se osiguralo da se ne igraju kosilicom.
- Uvek isključite kosilicu kad uklanjate bateriju iz mašine. Zaustavite sečivo (sečiva) ako treba da nagnete mašinu radi transporta kad prelazite preko površina koje nisu travnate, te kad transportujete mašinu do površine koju ćete kositi i od nje.

UKOVANJE

OPŠTE UKOVANJE:

- Pažljivo i u celini pročitajte ovaj priručnik za rukovaoca pre no što pokušate da sklopite ovu mašinu. Pročitajte, shvatite i sledite sva uputstva na mašini i u priručnicima pre rukovanja. Sasvim se upoznajete sa kontrolama i pravilnom upotrebom ove mašine pre rukovanja njom. Čuvajte ovaj priručnik na bezbednom mestu za buduće i redovno pregledanje, te radi naručivanja rezervnih delova.
- Koristite odgovarajuću mašinu – ne koristite kosilicu za travu ni za koji drugi posao osim onog za koji je predviđena.
- Ne presežite – u svakom trenutku održavajte pravilan položaj nogu i ravnotežu.

- Predmeti koje sečivo kosilice za travu udari mogu da izazovu ozbiljne telesne povrede. Travnjak treba uvek pažljivo pregledati i očistiti od svih predmeta pre svakog košenja.
- Pre i tokom kretanja unazad, pogledajte iza sebe i dole zbog male dece i drugih ljudi.
- Ova mašina nije igračka. Stoga u svakom trenutku budite krajnje oprezni. Vaša mašina je dizajnirana da radi jedan posao: da kosi travu. Ne koristite je ni za kakvu drugu svrhu.
- Ne silite kosilicu za travu – uradiće posao bolje i bezbednije onom brzinom za koju je dizajnirana.
- Pre korišćenja, uvek vizuelno pregledajte mašinu da biste proverili da li su sečiva, zavrtnji sečiva i sklop sekača pohabani ili oštećeni. Zamenite pohabana ili oštećena sečiva i zavrtnje i sve druge komponente u isto vreme da biste očuvali balans. Zamenite oštećene ili nečitljive etikete.
- Budite krajnje oprezni kad idete unazad ili vučete mašinu prema sebi.
- Temeljno pregledajte površinu na kojoj će se koristiti oprema. Uklonite svo kamenje, štapove, žice, igračke i ostale strane predmete na koje biste mogli da se saplete ili koje sečivo može da pokupi i izbaci. Izbačeni predmeti mogu da izazovu ozbiljnu telesnu povredu. Planirajte šablon košenja tako da izbegnete izbacivanje materijala prema putevima, trotoarima, prolaznicima i slično. Takođe, izbegavajte izbacivanje materijala prema zidovima ili preprekama, što može da izazove odbijanje izbačenog materijala unazad prema rukovaocu.
- Da bi se izbegao kontakt sa sečivom ili povreda od izbačenih predmeta, ostanite u zoni rukovaoca iza drški i držite decu, prolaznike, pomagače i kućne ljubimce najmanje 30 m od kosilice dok je ona u radu. Zaustavite mašinu ako bilo ko uđe na površinu koju kosite.
- Uvek nosite sigurnosne naočare ili sigurnosne naočare sa bočnim štitičnicima tokom rukovanja i tokom podešavanja ili popravke, da biste zaštitili oči. Izbačeni predmeti koji se odbiju od nečeg mogu da izazovu ozbiljnu povredu očiju. Uvek koristite masku za lice ili masku protiv prašine ako je rad prašnjav.
- Prikladno se obucite – ne nosite labavu odeću ili nakit. Pokretni delovi ih mogu zakačiti. Upotreba gumenih rukavica i obuće se preporučuje tokom rada na otvorenom prostoru. Nosite čvrste radne cipele sa hrapavim đonom i pantalone i majice koje su vam po meri. Majice koje pokrivaju ruke i pantalone koje pokrivaju noge i cipele sa čeličnim ojačanjem na prstima se preporučuju. Nikad ne rukujte ovom mašinom bosim, u sandalama, papučama, cipelama koje se klizu ili su lake (npr. platnene).

- Ne stavljajte šake ili stopala blizu rotirajućih delova ili ispod rezne ploče. Kontakt sa sečivom može da povredi šake i stopala.
- Nedostajući ili oštećen poklopac izlaza može da izazove kontakt sa sečivom ili povrede od izbačenih predmeta.
- Mnoge povrede se događaju kao rezultat prevlačenja kosilice preko stopala tokom pada izazvanog klizanjem ili saplitanjem. Ne držite se za kosilicu ako padate; odmah pustite dršku.
- Nikad ne vucite kosilicu unazad prema sebi dok hodate. Ako morate da povučete kosilicu unazad od zida ili prepreke, prvo pogledajte dole i unazad da biste izbegli saplitanje a zatim pratite ove korake:
- Zakoračite unazad od kosilice tako da vam se ruke potpuno ispruže.
- Vodite računa da imate dobru ravnotežu i čvrst položaj nogu.
- Polako povucite kosilicu unazad, ne više od pola puta prema sebi.
- Ponavljajte ove korake prema potrebi.
- Ne rukujte kosilicom dok ste pod uticajem alkohola, droga ili lekova.
- Ostanite oprezni – gledajte šta radite. Koristite zdrav razum. Ne rukujte kosilicom za travu kad ste umorni.
- Ručica za kontrolu motora/sečiva je sigurnosni uređaj. Nikad ne pokušavajte da zaobiđete njeno funkcionisanje. Ako to budete radili, sigurnosni uređaj će postati nefunkcionalan a to može dovesti do telesne povrede kroz kontakt sa rotirajućim sečivom. Ručica za kontrolu motora/sečiva mora lako da se pomera u oba smera i da se automatski vrati u razdvojen položaj kad se pusti.
- Izbegavajte opasna okruženja – ne koristite kosilice za travu na vlažnim ili mokrim mestima.
- Ne koristite na kiši.
- Uvek vodite računa o položaju nogu. Klizanje i padanje mogu da izazovu ozbiljnu telesnu povredu. Ako osećate da gubite uporište, odmah pustite ručicu za kontrolu motora/sečiva pa će sečivo prestati da se okreće u roku od tri sekunde.
- Zaustavite sečivo kad prelazite prilaze, staze ili puteve od tucanika.
- Ako oprema počne abnormalno da vibrira, zaustavite motor i odmah potražite uzrok. Vibracija je generalno upozorenje da postoji problem.
- Pogledajte da li ima oštećenja;
- Zamenite ili popravite sve oštećene delove koje korisnik može da zameni;

- Potražite i zategnite sve labave delove.
- Nikad ne rukujte kosilicom bez odgovarajućeg zadnjeg štitnika, poklopca izlaza, vreće za travu, umetka za seckanje, bočnog izlaznog otvora, ručice za kontrolu motora/sečiva ili drugih sigurnosnih zaštitnih uređaja na svom mestu i u funkciji. Nikad ne rukujte kosilicom sa oštećenim sigurnosnim uređajima. Nepridržavanje ovoga može da dovede do telesne povrede.
- Ako dođe do situacija koje nisu obrađene u ovom priručniku, primenjujte oprez i zdravo rasuđivanje. Obratite se EGO korisničkoj službi za pomoć.
- Baterija se mora izvaditi iz mašine pre recikliranja.
- Baterija se mora bezbedno odložiti na otpad.

RAD NA NAGIBU:

Nagibi su glavni faktor povezan sa nezgodama klizanja i padanja, koje mogu da dovedu do ozbiljne povrede. Uvek vodite računa o položaju nogu na nagibima. Rad na nagibima zahteva dodatni oprez. Ako se osećate neugodno na nagibu, nemojte ga kositi.

Šta treba da radite:

- Kosite popreko na nagibima; nikad ne kosite uzbrdo i nizbrdo. Budite krajnje oprezni kad menjate smer na nagibima.
- Pazite na rupe, tragove točkova, kamenje, skrívene predmete ili ispuščenja zbog kojih se možete okliznuti ili saplesti. Visoka trava može da sakrije prepreke.

Šta ne treba da radite:

- Ne kosite blizu litica, jaraka ili nasipa; mogli biste da izgubite uporište ili ravnotežu.
- Ne kosite nagibe veće od 15 stepeni.
- Ne kosite na mokroj travi. Nestabilan oslonac stopala može da izazove klizanje.

SERVIS

⚠ UPOZORENJE: Komponente vreće za travu, poklopac izlaza, bočni izlazni otvor, umetak za seckanje i zadnji štitnik su podložni habanju i oštećenjima, što bi moglo da izloži pokretne delove ili omogući izbacivanje predmeta, te bi moglo da poveća rizik od povreda. Zbog zaštite bezbednosti, često proveravajte sve komponente i odmah zamenite oštećene komponente identičnim rezervnim delovima navedenim u ovom priručniku. Obratite se EGO korisničkoj službi ili najbližem EGO servisnom centru pa će popravke ili zamene izvršiti kvalifikovani servisni tehničar!

- Ako se sklopka za zaštitu od preopterećenja ugrađena u kosilicu često aktivira, obratite se EGO korisničkoj službi ili najbližem EGO servisnom centru.

- Ne perite kosilicu crevom; izbegavajte ulaženje vode u motor i električne veze.
- Izvadite ključ i čuvajte isključenu kosilicu za travu u zatvorenom prostoru kad je ne koristite. Ostavite motor da se ohladi pre no što je stavite u ormar ili slično. Kosilicu za travu treba čuvati u suvom, visokom ili zaključanom ormaru, vam domašaja dece.
- Tokom servisiranja, koristite samo identične rezervne delove navedene u ovom priručniku. Upotreba delova koji ne ispunjavaju specifikacije originalne opreme može da dovede do nepravilnog rada i kompromitovane bezbednosti.
- Izvadite ili odvojite bateriju pre servisiranja, čišćenja ili uklanjanja materijala iz kosilice za travu.
- Pratite uputstva za menjanje dodataka.
- Održavajte drške suvim, čistim i bez ulja i masnoće.
- Da bi se smanjila opasnost od požara, održavajte poklopac motora bez trave, lišća i nagomilane prijavštine.
- Često proveravajte da li su zavrtnji za montažu sečiva i motora pravilno zategnuti. Takođe, vizuelno pregledajte da li je sečivo oštećeno (npr. savijanje, pukotine i habanje). Zamenite sečivo isključivo identičnim zamenskim sečivom, navedenim u ovom priručniku.
- Pažljivo održavajte kosilicu – održavajte sečivo kosilice ostrim i čistim za najbolji i najbezbedniji rad. Sečiva kosilice su oštra i mogu da poseku. Umotajte sečivo ili nosite rukavice i budite veoma oprezni kad ga servisirate.
- Nikad ne uklanjajte niti sabotirajte sigurnosne uređaje. Redovno proveravajte da li pravilno rade. Nikad ne radite ništa što bi ometalo predviđenu funkciju sigurnosnog uređaja ili smanjilo zaštitu koju sigurnosni uređaj pruža.
- Uvek zaustavite motor pre podešavanja točka ili podešavanja visine košenja.
- Nakon udaranja stranog predmeta, zaustavite motor, izvadite ključ i temeljno pregledajte da li na kosilici ima bilo kakvih oštećenja. Popravite oštećenje pre rukovanja kosilicom.
- Održavajte ili zamenjujte sigurnosne i nalepnice sa uputstvima, prema potrebi. Obratite se EGO korisničkoj službi ili najbližem EGO servisnom centru pa će popravke ili zamene izvršiti kvalifikovani servisni tehničar!
- **SAČUVAJTE OVO UPUTSTVO.** Često ga pregledajte i koristite ga da uputite druge koji mogu da koriste ovaj alat. Ako pozajmite ovaj alat nekom drugom, pozajmite i ovo uputstvo da bi se sprečila pogrešna upotreba proizvoda i eventualna povreda.
- Da bi se očuvali prirodni resursi, baterije pravilno reciklirajte ili odlažite na otpad. Ovaj proizvod sadrži litijum-jonsku bateriju. Lokalni ili nacionalni zakoni zabranjuju odlaganje litijum-jonskih baterija u kućno smeće. Obratite se lokalnoj službi za upravljanje otpadom radi informacija o dostupnim opcijama recikliranja i/ili odlaganja na otpad.
- Po vađenju baterije radi odlaganja na otpad ili recikliranja, pokrijte terminale baterije izdržljivom lepljivom trakom. Ne pokušavajte da uništite ili rastavite bateriju ili da izvadite bilo koju od njenih komponenti. Litijum-jonske baterije se moraju reciklirati ili pravilno odložiti na otpad. Takođe, nikad ne dodirujte terminale metalnim predmetima i/ili delovima tela jer može da dođe do kratkog spoja. Držite van domašaja dece. Nepridržavanje ovih upozorenja moglo bi da dovede do požara i/ili ozbiljne povrede.
- **U EKSTREMNIM USLOVIMA MOŽE DOĆI DO CURENJA TEČNOSTI IZ BATERIJE; IZBEGAVAJTE KONTAKT SA NJOM. AKO DOĐE DO NEHOTIČNOG KONTAKTA, ISPERITE VODOM. AKO TEČNOST DOĐE U KONTAKT SA OČIMA, TAKOĐE POTRAŽITE I MEDICINSKU POMOĆ.** Tečnost iz baterije može da izazove iritaciju ili opekotine.

SPECIFIKACIJE

Broj modela	LM2020E	LM2020E-SP
Sistem sopstvenog pogona	Ne	Da
Voltaža	56 V	56 V
Brzina bez opterećenja	3000 /min	3000 /min
Visina košenja	25-95 mm	25-95 mm
Preporučena radna temperatura:	0-40°C	0-40°C
Preporučena temperatura skladištenja:	-20°C - 70°C	-20°C - 70°C
Položaji visine košenja	6	6
Veličina ploče	51 cm	51 cm
Širina košenja	50 cm	50 cm
Zapremina vreće za travu	60 L	60 L
Težina kosilice (Bez baterije, umetka za seckanje)	24.4 kg	27.2 kg
Model sečiva	AB2001	AB2001
Izmereni nivo jačine zvuka L_{WA}	91.5 dB(A) K=1.80 dB(A)	91.0 dB(A) K=1.89 dB(A)

SR

UPOTREBA I ODRŽAVANJE BATERIJE

Nivo zvučnog pritiska kod uha rukovaoca L_{PA} K=3 dB(A)	79.5 dB(A)	79.2 dB(A)	
Garantovan nivo jačine zvuka L_{WA} (prema 2000/14/EC)	93 dB(A)	93 dB(A)	
Procena vibracije a_h K=1,5 m/s ²	Desna drška	≤2.5 m/s ²	≤2.5 m/s ²
	Kočnica sečiva	≤2.5 m/s ²	≤2.5 m/s ²
Leva drška	DA	DA	

- Deklarisana ukupna vrednost vibracije je izmerena u skladu sa standardnim metodom testiranja i može se koristiti za upoređivanje jednog alata sa drugim;
- Deklarisana ukupna vrednost vibracije može se koristiti i u preliminarnoj proceni izlaganja.

NAPOMENA: Emisija vibracija tokom stvarne upotrebe električnog alata može da se razlikuje od deklarisanе vrednosti u kojoj se alat koristi. Da bi se rukovalac zaštitio, korisnik bi trebalo da nosi rukavice i štitnike za uši u stvarnim uslovima korišćenja.

POPIS PAKOVANJA

NAZIV DELA	KOLIČINA
Kosilica za travu	1
Vreća za travu	1
Okvir vreće za travu	1
Umetak za seckanje	1
Bočni izlazni otvor	1
Sigurnosni ključ	1
Priručnik za rukovaoca	1

OPIS

UPOZNAJTE SVOJU KOSILICU

(Sl. A, B, C, D i E)

- 1 Žičani prekidač (poluga prekidača)
- 2 Ručka
- 3 Sigurnosno dugme
- 4 Okidač sopstvenog pogona
- 5 Spona za zaključavanje ručice
- 6 Vreća za travu

SR

- 7 Poluga za podešavanje visine košenja
- 8 Zadnji točak
- 9 Bočna izlazna vrata
- 10 Ploča kosilice
- 11 Poklopac ploče
- 12 Prednji točak
- 13 LED prednja svetla
- 14 Poklopac baterije
- 15 Zadnja drška
- 16 Poluga za brzo podešavanje
- 17 Zadnja izlazna vrata
- 18 Bočna šina
- 19 Poluga za kontrolu brzine sopstvenog pogona
- 20 Zadnji štitnik
- 21 Indikator napajanja
- 22 Prekidač LED prednjeg svetla
- 23 Dugme za otključavanje baterije
- 24 Prerez za sigurnosni ključ
- 25 Umetak za seckanje
- 26 Bočni izlazni otvor

RUKOVANJE

SKLAPANJE VREĆE ZA TRAVU

- 1) Navucite vreću za travu na okvir (Sl. F).
- 2) Montirajte gornje spojnice na okvir (Sl. G). Zatim montirajte dve bočne spojnice. Montirajte donju spojnicu na kraju.
- 3) Potpuno sklopljena vreća za travu je prikazana na Sl. H.

PODEŠAVANJE SKLOPIVE RUČICE

⚠ UPOZORENJE: Ne pokušavajte da pokrenete kosilicu dok ručica ne bude zaključana u jednom od tri unapred podešena radna položaja (GORNJI RADNI POLOŽAJ, SREDNJI RADNI POLOŽAJ i DONJI RADNI POLOŽAJ).

Kosilica je isporučena sa ručicom u kompaktnom, ZAKLJUČANOM POLOŽAJU ZA SKLADIŠTENJE (Sl. I).

- 1) Izvucite dva dugmeta za brzo podešavanje i okrenite 90° da otključate ručicu iz ZAKLJUČANOG POLOŽAJA ZA SKLADIŠTENJE.
- 2) Podignite ručicu iz sklopljenog položaja, zatim pustite polugu. Nežno okrenite ručicu nagore dok ne čujete i ne osetite da se igla za zaključavanje zakačila u jednom od sledećih različitih položaja prikazanih na Sl. J.

Opis delova sa Sl. J pogledajte ispod:

J-1	Zaključani položaj za skladištenje
J-2	Položaj stavljanja/skidanja vreće za travu
J-3	Gornji radni položaj
J-4	Srednji radni položaj
J-5	Donji radni položaj

MONTIRANJE/SKIDANJE VREĆE ZA TRAVU/ UMETKA ZA SECKANJE/BOČNOG IZLAZNOG OTVORA

UPOZORENJE: Ni u kom trenutku nemojte podešavati kosilicu za travu a da prvo niste zaustavili motor, izvadili sigurnosni ključ i sačekali da sečivo prestane da se okreće.

NAPOMENA: Montirajte sve dodatke na kosilicu za travu pre košenja.

■ Da montirate/skinete vreću za travu (Sl. K)

Podesite ručicu u odgovarajući radni položaj. Podignite zadnja izlazna vrata i zakačite vreću za travu na šipku. Za uklanjanje, samo podignite vreću za travu nagore, da se otkači sa šipke. Na kraju, pustite zadnja izlazna vrata.

NAPOMENA: Izvadite unapred instalirani umetak za seckanje iz kosilice pre montiranja vreće za travu na kosilicu.

■ Da montirate/skinete umetak za seckanje (Sl. L)

Podignite zadnja izlazna vrata i umetnite umetak za seckanje u kosilicu. Za skidanje, samo ga izvucite napolje. Na kraju, pustite zadnja izlazna vrata.

■ Da montirate/skinete bočni izlazni otvor (Sl. M)

Podignite bočna izlazna vrata. Poravnajte prerez izlaznog otvora sa dugmetom izlaznih vrata i nežno pustite bočna izlazna vrata da se okrenu oko šipke dok se čvrsto ne naslone na izlazni otvor. Za skidanje, podignite bočna izlazna vrata, podignite bočni izlazni otvor nagore, skinite sa dugmeta za montažu vrata.

Opis delova sa Sl. M pogledajte ispod:

M-1	Bočna izlazna vrata
M-2	Dugme za montažu
M-3	Prerez za montažu
M-4	Bočni izlazni otvor
M-5	Osovina

NAPOMENA: Umetak za seckanje mora biti instaliran kad je bočni izlazni otvor pričvršćen.

PODEŠAVANJE VISINE KOŠENJA (Sl. N)

UPOZORENJE: Držite stopala dalje od ploče kad podešavate njenu visinu. Kosilica može biti podešena na 6 visina košenja između 25 mm i 95 mm. Izaberite odgovarajuću visinu košenja prema tipu i stanju trave.

NAPOMENA: Kada premeštate alat, vodite računa da visina košenja bude podešena na položaj 3 ili viši. Ako to ne uradite, može doći do oštećenja sečiva.

SPAJANJE/ODVAJANJE BATERIJE (Sl. O)

Koristite samo sa baterijama i punjačima navedenim na slici A.

NAPUNITE PRE PRVE UPOTREBE.

UPOZORENJE: Ako je bilo koji deo pokvaren ili nedostaje, nemojte pokušavati da spojite bateriju sa kosilicom ili da rukujete kosilicom dok pokvareni ili nedostajući delovi ne budu zamenjeni. Ako to ne uradite, može doći do ozbiljne povrede.

■ Za spajanje

Gurnite bateriju u odeljak za bateriju dok ne čujete „klik“.

■ Za odvajanje

Pritisnite dugme za otključavanje baterije u odeljku za bateriju.

Opis delova sa Sl. O pogledajte ispod:

O-1	Prerez za sigurnosni ključ
O-2	Sigurnosni ključ
O-3	Dugme za otključavanje baterije

NAPOMENA: Vodite računa da reza na kosilici škljocne na svoje mesto i da baterija bude pričvršćena na kosilicu pre započinjanja rada.

POKRETANJE/ZAUSTAVLJANJE KOSILICE

UPOZORENJE: Rukovanje svakom kosilicom za travu može da dovede do izbacivanja stranih predmeta ka vašim ili tuđim očima, što može ozbiljno da ošteti oči. Uvek nosite zaštitne naočare za vreme rukovanja kosilicom, ili za vreme svih podešavanja ili popravki na kosilici.

UPOZORENJE: Osigurajte da drugi ljudi i kućni ljubimci budu udaljeni najmanje 30 m od kosilice kada je u upotrebi.

UPOZORENJE: Sečivo će nastaviti da se okreće nekoliko sekundi nakon isključivanja kosilice. Sačekajte da motor/sečivo prestane da se okreće pre no što je ponovo pokrenete. Nemojte brzo uključivati i isključivati kosilicu.

SIGURNOSNI KLJUČ

Da biste sprečili nehотиčno pokretanje ili neovlašćenu upotrebu bežične kosilice, uklonjivi sigurnosni ključ je primenjen u dizajnu kosilice. Kosilica će biti potpuno onemogućena kad sigurnosni ključ bude izvađen iz kosilice.

⚠ OPASNOST: Rotirajuća sečiva mogu da izazovu ozbiljnu povredu. Da biste sprečili ozbiljnu povredu, izvadite sigurnosni ključ kad je kosilica bez nadzora, ili kad podešavate, čistite, servisirate, transportujete, podižete ili skladištite kosilicu.

NAPOMENA: Motor se ne može pokrenuti dok se ne ispune sledeći uslovi:

- Ručica je zaključana u jedan od tri radna položaja, pogledajte PODEŠAVANJE SKLOPIVE RUČICE.
- Bočne šine su izvučene do kraja (Sl. P).
- Obe zelene sponge za zaključavanje ručice su čvrsto zatvorene (Sl. Q).

Q-1 Indikatorska linija

⚠ OPREZ: Ne pokušavajte da zaobidete funkciju sigurnosnog dugmeta i žičanog prekidača.

Za pokretanje

- 1) Spojite bateriju na kosilicu, stavite sigurnosni ključ u prorez za ključ i zatvorite poklopac baterije (Sl. O).
- 2) Prema Sl. R, pritisnite sigurnosno dugme nadole.
- 3) Dok je prekidač pritisnut, povucite žičani prekidač nagore do ručice i pustite sigurnosno dugme (Sl. S).

Za zaustavljanje

- 1) Potpuno pustite žičani prekidač.
- 2) Električna kočnica u automatskom kočionom mehanizmu će zaustaviti okretanje sečiva u roku od 3 sekunde od puštanja žičanog prekidača.

SISTEM SOPSTVENOG POGONA SA VARIJABILNOM BRZINOM (samo model LM2020E-SP)

LM2020E-SP kosilica je opremljena mogućnošću sopstvenog pogona sa varijabilnom brzinom. Ovaj sistem ne zavisi od prekidača za uključivanje/isključivanje sečiva; ne zavisi od rotacije sečiva.

Za rukovanje sistemom bez rotacije sečiva, povucite okidač sopstvenog pogona ka ručici.

Za isključivanje sopstvenog pogona, pustite okidač sopstvenog pogona.

SR

Sistem ima varijabilnu brzinu. Za povećanje brzine, pomerite polugu za kontrolu brzine sopstvenog pogona unapred. Za smanjenje brzine, pomerite polugu za kontrolu brzine sopstvenog pogona unazad (Sl. T).

Za rukovanje dok se sečivo okreće za košenje:

1. Pokrenite kosilicu.
2. Dok levom rukom držite žičani prekidač uz dršku, desnom rukom povucite okidač sopstvenog pogona prema dršci.
3. Držite i žičani prekidač i okidač sopstvenog pogona istovremeno uz dršku desnom rukom a levom rukom podesite polugu za kontrolu brzine sopstvenog pogona da biste izabrali odgovarajuću brzinu.

⚠ UPOZORENJE: Da bi se smanjio rizik od povreda, nikad ne pokušavajte da zaobidete funkciju dugmeta ili sistema sopstvenog pogona. Koristite sopstveni pogon samo za njegovu predviđenu svrhu.

LED PREDNJA SVETLA (Sl. A-13)

Pritisnite prekidač (Sl. C-22) da biste uključili/isključili LED prednja svetla ispred odeljka za bateriju.

INDIKATOR NAPAJANJA NA KOSILICI (Sl. U)

Kosilica je opremljena indikatorom napajanja koji pokazuje nivo punjenja baterije i radni status kosilice. Indikator napajanja će svetleti kada se sečivo okreće ili kada su LED prednja svetla uključena.

Indikator napajanja na kosilici	Značenje	Akcija
Svetli zeleno	Kosilica radi pravilno; baterija ima najmanje 15% punjenja	Nije primenjivo
Svetli crveno	Slaba baterija	Zaustavite kosilicu i napunite bateriju
Bljeska crveno	Baterija je skoro prazna	Zaustavite kosilicu i napunite bateriju
Svetli narandžasto	Kosilica ili baterija je pregrejana	Izvadite bateriju iz kosilice, premestite ih u senku i hladite ih najmanje 15 minuta
Bljeska narandžasto	Kosilica je preopterećena	Usporite korak ili povećajte visinu košenja da biste smanjili opterećenje

ZAŠTITA OD PREOPTEREĆENJA KOSILICE

Da biste sprečili uslove preopterećenja, ne pokušavajte da pokosite suviše trave odjednom. Usporite korak košenja ili povećajte visinu košenja.

Kosilica ima ugrađeni osigurač za zaštitu od preopterećenja. Kad je kosilica preopterećena, motor će se zaustaviti a indikator napajanja na kosilici će bljeskati narandžasto. Izvadite bateriju iz kosilice. Proverite da li se trava nakupila ispod ploče i očistite je ako je neophodno, zatim instalirajte bateriju i ponovo pokrenite kosilicu.

ZAŠTITA OD VISOKE TEMPERATURE BATERIJE

Baterija će stvarati toplotu tokom rada. Toplota se rasipa sponje po toplom vremenu. Ako temperatura baterije prekorači 70 °C tokom rada, zaštitno kolo će odmah isključiti kosilicu da bi se baterija zaštitila od oštećenja. Indikator napajanja će svetleti narandžasto a LED na bateriji će bljeskati narandžasto. Pustite žičani prekidač, sačekajte da se baterija ohladi približno na 67 °C, zatim ponovo pokrenite kosilicu.

ODRŽAVANJE

⚠ UPOZORENJE: Da biste izbegli ozbiljne telesne povrede, uvek izvadite sigurnosni ključ i bateriju iz kosilice pre čišćenja ili bilo kakvog održavanja.

⚠ UPOZORENJE: Tokom servisiranja, koristite samo identične rezervne delove. Upotreba bilo kakvih drugih delova može da dovede do opasnosti ili da izazove oštećenje proizvoda. Da bi se osigurala sigurnost i pouzdanost, sve popravke treba da radi kvalifikovani servisni tehničar.

ČIŠĆENJE KOSILICE

⚠ UPOZORENJE: Uvek izvadite sigurnosni ključ i bateriju kad servisirate ili transportujete kosilicu.

Donju stranu ploče kosilice treba očistiti posle svake upotrebe, jer će se pokošena trava, lišće, zemlja i druga prljavština nagomilati. Ovo nagomilavanje je nepoželjno jer će doprineti rđi i koroziji na metalnim delovima i smanjiti efikasnost košenja kosilice.

Uklonite svu travu i lišće nagomilane na pogonskoj osovinu (LM2020E-SP) i ventilatoru motora ili oko njih (ne koristite vodu). Obrišite kosilicu vlažnom krpom.

SKIDANJE/INSTALIRANJE SEČIVA

⚠ UPOZORENJE: Uvek zaštitite ruke tako što ćete nositi debele rukavice ili umotati oštre ivice krpama ili drugim materijalom kad radite bilo kakvo održavanje na sečivu kosilice.

■ Za skidanje sečiva (Sl. W)

NAPOMENA: Ako se zavrtanj okreće sa osovinom motora kad olabavljujete zavrtanj, okrenite ventilator rukom da biste poravnali rupice u ventilatoru sa rupicama na sečivu, pa stavite drugu metalnu šipku u poravnate rupice.

■ Za instalaciju sečiva

Prateći redosled sklapanja na Sl. V, sa sečivom ventilatora prema ploči i štampanom stranom sečiva prema spoljašnjosti, poravnajte rupice na ventilatoru sa rupicama na sečivu (Sl. X) a zatim zategnite sečivo kako prikazuje Sl. X.

Opis delova sa Sl. V i W pogledajte ispod:

V-1	Ventilator	V-5	Zavrtanj
V-2	Unutrašnja pribrubnica	W-1	Stabilizator 1
V-3	Sečivo	W-2	Stabilizator 2
V-4	Spoljašnja pribrubnica	W-3	Ključ od 14 mm

NAPOMENA: Preporučeni obrtni moment za zatezanje zavrtanja sečiva je 45-59 Nm.

SKLADIŠTENJE KOSILICE

- Izvadite bateriju iz kosilice i skladištite je na hladnom, suvom i čistom mestu. Ne skladištite je pored korozivnih materijala, poput đubriva ili kamene soli.
- Skladištite kosilicu u natkrivenom, zatvorenom prostoru koji je hladan i suv i van domašaja dece.
- Ne prekrivajte kosilicu za travu punom plastičnom folijom. Plastični prekrivači zarobljavaju vlagu oko kosilice, što izaziva rđu i koroziju.
- Kosilica se može skladištiti uspravno ili položeno (Sl. Z).

⚠ UPOZORENJE: Ako kosilica krene da se prevrće iz uspravnog položaja, može doći do oštećenja kosilice ili telesne povrede. Kosilica uvek treba da bude stabilna i van domašaja dece kad je u uspravnom položaju. Ako je moguće, položite je vodoravno tokom skladištenja.

Zaštita životne sredine



Ne odlazite električnu opremu, punjače baterija i baterije/punjive baterije u kućni otpad!

Prema evropskom zakonu 2012/19/ EU, električna i elektronska oprema koja više nije upotrebljiva, te prema evropskom zakonu 2006/66/EC, defektne ili ispražnjene baterije, moraju se prikupljati zasebno.

Ako se električni aparati odlazu na deponije ili đubrišta, opasne supstance mogu da isticu u podzemne vode i dospesu u lanac ishrane, nanoseći štetu vašem zdravlju i dobrobiti.

REŠAVANJE PROBLEMA

⚠ UPOZORENJE: Uvek izvadite sigurnosni kluč i bateriju kad servisirate ili transportujete kosilicu. Uvek zaštitite ruke tako što ćete nositi debele rukavice ili umotati oštre ivice krpama ili drugim materijalom kad radite bilo kakvo održavanje na sečivu kosilice.

PROBLEM	UZROK	REŠENJE
Kosilica se ne pokreće	<ul style="list-style-type: none"> ■ Baterija je prazna. ■ Baterija nije montirana na svoje mesto u odeljku za bateriju. ■ Kola baterije ili kosilice su prevruća. (Indikator napajanja na kosilici će svetleti narandžasto 10 sekundi) ■ Bočne šine nisu izvučene do maksimalne dužine a spone nisu zaključane na svom mestu. ■ Ručica nije postavljena u jedan od tri radna položaja. ■ Ploča kosilice je zapušena travom i prljavštinom. 	<ul style="list-style-type: none"> ■ Napunite bateriju. ■ Spojite bateriju na kosilicu, gurnite je dok ne čujete škljocanje ■ Ostavite bateriju ili kosilicu da se hladi dok temperatura ne padne ispod 67°C. ■ Izvucite dršku do kraja i zaključajte obe spone. ■ Podesite ručicu u jedan od tri radna položaja. ■ Očistite ploču kosilice i uverite se da sečivo može slobodno da se kreće.
Kosilica nejednako kosi	<ul style="list-style-type: none"> ■ Sečivo je tupo. ■ Visina košenja nije pravilno postavljena. ■ Sečivo je nepravilno montirano. 	<ul style="list-style-type: none"> ■ Naoštrite ili zamenite sečivo. ■ Podignite ploču na višu postavku visine košenja. ■ Ponovo montirajte sečivo, prateći odeljak „INSTALIRANJE SEČIVA“ u ovom priručniku.
Kosilica se zaustavlja tokom košenja	<ul style="list-style-type: none"> ■ Baterija je prazna. ■ Kosilica je u stanju preopterećenja. ■ Ploča kosilice je zapušena travom i prljavštinom. ■ Kola baterije ili kosilice su prevruća. (Indikator napajanja na kosilici će svetleti narandžasto 10 sekundi.) ■ Bočna šina je malo uvučena zbog sile guranja primenjene na dršku. 	<ul style="list-style-type: none"> ■ Napunite bateriju. ■ Povećajte visinu košenja ili usporite košenje. ■ Otpušite ploču kosilice. Povećajte visinu košenja ili kosite uske otkose. ■ Ostavite bateriju ili kosilicu da se hladi dok temperatura ne padne ispod 67°C. ■ Otključajte spone. Izvucite bočne šine do kraja pa ponovo zaključajte spone.

PROBLEM	UZROK	REŠENJE
Kosilica ne secka pravilno	<ul style="list-style-type: none">▪ Mokra pokošena trava se lepi za donju stranu ploče.▪ Kosilica je postavljena da kosi suviše trave odjednom.	<ul style="list-style-type: none">▪ Sačekajte da se trava osuši pre košenja.▪ Podignite ploču na višu postavku visine košenja.
Dolazi do prekomernih vibracija	<ul style="list-style-type: none">▪ Sečivo kosilice je labavo.▪ Sečivo kosilice nije izbalansirano.▪ Sečivo kosilice je savijeno.▪ Osovina motora je savijena.	<ul style="list-style-type: none">▪ Zategnite zavrtanj sečiva.▪ Izbalansirajte sečivo prateći uputstva.▪ Zamenite sečivo.▪ Obratite se servisnom centru.
Spone za zaključavanje ručica se ne mogu zatvoriti na svom mestu.	<ul style="list-style-type: none">▪ Bočne šine nisu izvučene do kraja.	<ul style="list-style-type: none">▪ Izvucite bočne šine do kraja, zatim zaključajte spone.

GARANCIJA

EGO POLITIKA GARANCIJE

Posetite veb-lokaciju egopowerplus.com za potpune uslove i odredbe EGO politike garancije.

PROČITAJTE UPUTSTVO U CIJELOSTI!



PROČITAJTE I SHVATITE UPUTSTVO ZA UPOTREBU

⚠ UPOZORENJE! Radi osiguranja sigurnosti i pouzdanosti, sve popravke i zamjene treba obavljati kvalifikovani servisni tehničar.

Predviđena upotreba i predvidiva pogrešna upotreba Proizvod je predviđen samo za košenje trave u vrtovima u domaćinstvu. Proizvod se ne smije upotrebljavati za košenje neobičajeno visoke, suhe ili mokre trave, npr. trave s pašnjaka ili za usitnjavanje lišća. Proizvod se smije upotrebljavati samo za prethodno opisanu namjenu. Svaka druga upotreba smatra se nepropisnom upotrebom.

SIGURNOSNI SIMBOLI

Svrha sigurnosnih simbola je skretanje pažnje na moguće opasnosti. Sigurnosni simboli i njihova objašnjenja zahtijevaju vašu potpunu pažnju i razumijevanje. Sami simboli upozorenja sami po sebi ne isključuju opasnost. Uputstva i upozorenja koja pružaju nisu zamjena za propisne mjere za prevenciju nesreća.

⚠ UPOZORENJE! Prije upotrebe ovog alata pobrinite se da sva sigurnosna uputstva u ovom korisničkom priručniku, uključujući sve sigurnosne simbole kao što su “**OPASNOST**”, “**UPOZORENJE**” i “**OPREZ**” pročitate s razumijevanjem. Zanemarivanje svih uputstava navedenih u nastavku može rezultirati strujnim udarom, požarom i/ili teškim tjelesnim povredama.

ZNAČENJE SIMBOLA

SIGURNOSNI SIMBOL UPOZORENJA: ukazuje na **OPASNOST**, **UPOZORENJE** ili **OPREZ** i može se upotrebljavati u kombinaciji s drugim simbolima ili piktogramima.

⚠ UPOZORENJE! Rukovanje električnim alatima može rezultirati odbacivanjem stranih predmeta u oči, što opet može izazvati teška oštećenja očiju. Prije početka rukovanja električnim alatom, uvijek nosite zatvorene zaštitne naočale ili zaštitne naočale s bočnim štitnicima, a prema potrebi i štitnik za cijelo lice. Preporučujemo nošenje sigurnosne maske proizvođača Wide Vision preko naočala, ili nošenje standardnih zaštitnih naočala s bočnim štitnicima.

SIGURNOSNA UPUTSTVA

Na ovoj stranici slikovno su prikazani i objašnjeni sigurnosni simboli koji se mogu pojaviti na ovom proizvodu. Prije pokušaja sastavljanja i rukovanja, s razumijevanjem pročitajte sva uputstva na proizvodu i pridržavajte ih se.

	Simbol upozorenja	Mjere opreza koje se odnose na vašu sigurnost.
	Pročitajte korisnički priručnik.	Radi smanjenja opasnosti od povreda, prije upotrebe ovog proizvoda korisnik treba s razumijevanjem pročitati ovaj korisnički priručnik.
	Čuvajte se oštih noževa.	Noževi nastavljaju s okretanjem nakon isključivanja motora. – Prije radova održavanja uklonite uređaj za deaktivaciju. Prije radova podešavanja ili čišćenja isključite odvojivi komplet baterija (ili uređaj za deaktivaciju) i izvadite ga.
	Posmatrače držite na udaljenosti.	Kada upotrebljavate kosilicu, pobrinite se da druge osobe i kućni ljubimci ostanu na udaljenosti od najmanje 30 m od kosilice.
	Stopala i šake držite na udaljenosti.	Stopala i šake držite na udaljenosti.
	Oznaka CE	Ovaj proizvod je u skladu s primjenjivim Direktivama EU.
	UKCA	Ovaj proizvod je u skladu s važećim zakonodavstvom Ujedinjenog Kraljevstva.
	WEEE	Otpadni električni proizvodi ne smiju se odlagati s otpadom iz domaćinstva. Odnosite ih u ovlašteni centar za reciklažu.
	Buka	Zagarantovani nivo zvučne snage. Emisija buke u okruženju u skladu je s Direktivom Evropske unije.
	IP simbol	Zaštita od prodiranja vode, stepen 4
	Volt	Napon
	Amper	Struja
	Herc	Frekvencija (ciklusi u sekundi)
	Vat	Snaga
	Minute	Vrijeme
	Izmjenična struja	Vrsta struje
	Istosmjerna struja	Vrsta ili karakteristike struje

n_0	Brzina vrtnje bez opterećenja	Brzina okretanja, bez opterećenja
.../min	U minuti	Okretaji u minuti

OPĆA SIGURNOSNA UPOZORENJA ZA ELEKTRIČNE ALATE

▲ UPOZORENJE! PROČITAJTE SVA SIGURNOSNA UPOZORENJA, UPUTSTVA, SVE ILUSTRACIJE I SPECIFIKACIJE ISPORUČENE S OVIM ELEKTRIČNIM ALATOM. Zanemarivanje svih uputstava navedenih u nastavku može rezultirati strujnim udarom, požarom i/ili teškim povredama.

SAČUVAJTE SVA UPOZORENJA I UPUTSTVA ZA BUDUĆE POTREBE.

Pojam "električni alat" u upozorenjima odnosi se na vaš električni alat na strujni pogon (s kabelom) ili električni alat na baterijski pogon (bez kabela).

SIGURNOST RADNOG PODRUČJA

- **Radno područje održavajte čistim i dobro osvijetljenim.** Pretprana ili mračna područja izazivaju nesreće.
- **Električni alat nemojte upotrebljavati u eksplozivnim atmosferama, kao na primjer u prisutnosti zapaljivih tekućina, plinova ili prašine.** Električni alat stvara iskre koje mogu zapaliti prašinu ili isparenja.
- **Djecu i posmatrače držite podalje tokom rada s električnim alatom.** Ometanja mogu rezultirati gubitkom kontrole nad alatom.

ELEKTRIČNA SIGURNOST

- **Utikači električnog alata moraju odgovarati utičnici.** Nemojte modifikovati utikač ni na koji način. Nemojte upotrebljavati utikače adaptera s uzemljenim električnim alatima. Nemodifikovani utikači i odgovarajuće utičnice smanjit će rizik od strujnog udara.
- **Izbjegavajte kontakt tijela s uzemljenim površinama, kao što su slavine, radijatori, peći i frižideri.** Postoji povećan rizik od strujnog udara ako je vaše tijelo uzemljeno.
- **Električni alat nemojte izlagati kiši ili mokrim uslovima.** Prodiranje vode u električni alat povećat će rizik od strujnog udara.
- **Nemojte nepropisno upotrebljavati kabel.** Kabel nemojte nikada upotrebljavati za nošenje, povlačenje ili isključivanje električnog alata iz strujnog napajanja. Kabel držite podalje od topline,

ulja, oštih rubova ili pokretnih dijelova. Oštećeni ili isprepleteni kabeli povećavaju rizik od strujnog udara.

- **Kada električnim alatom radite na otvorenom, upotrebljavajte produžni kabel prikladan za upotrebu na otvorenom.** Upotreba kabela prikladnog za upotrebu na otvorenom smanjuje rizik od strujnog udara.
- **Ako je rad s električnim alatom u području s parom neizbježan, upotrebljavajte napajanje sa zaštitnim uređajem diferencijalne struje (RCD).** Upotrebom zaštitnog uređaja diferencijalne struje smanjuje se rizik od strujnog udara.

LIČNA SIGURNOST

- **Budite oprezni, gledajte šta radite i koristite se uobičajenim osjećajem kada radite s električnim alatom.** Nemojte upotrebljavati električni alat kada ste umorni ili pod uticajem opojnih sredstava, alkohola ili lijekova. Trenutak nepažnje tokom rada s električnim alatima može rezultirati teškim tjelesnim povredama.
- **Upotrebljavajte ličnu zaštitnu opremu. Uvijek nosite zaštitu za oči.** Zaštitna oprema poput maske za zaštitu od prašine, neklizajuće sigurnosne obuće, kacige ili zaštite za sluh upotrijebljena za odgovarajuće uslove smanjit će tjelesne povrede.
- **Spriječite nenamjerno pokretanje. Prije spajanja na izvor napajanja i/ili komplet baterija, uzimanja ili nošenja alata uvjerite se da se prekidač nalazi u isključenom položaju.** Nošenje električnih alata s prstom na prekidaču ili napajanje električnih alata koji imaju uključen prekidač izaziva nesreće.
- **Prije uključivanja električnog alata uklonite sve ključeve za podešavanje ili ključeve.** Ključ ili ključ za podešavanje ostavljen pričvršćen na rotacijski dio električnog alata može rezultirati tjelesnim povredama.
- **Nemojte se previše naginjati prema naprijed. Cijelo vrijeme održavajte propisno držanje i ravnotežu.** To će omogućiti bolju kontrolu nad električnim alatom u neočekivanim situacijama.
- **Obucite se prikladno. Nemojte nositi široku odjeću ili nakit. Kosu, odjeću i rukavice uvijek držite podalje od dijelova koji se kreću.** Dijelovi koji se kreću mogu zahvatiti široku odjeću, nakit ili dugu kosu.
- **Ako su uređaji namijenjeni za spajanje sistema za izvlačenje i sakupljanje prašine, pobrinite se da se propisno spoje i upotrebljavaju.** Upotrebom uređaja za sakupljanje prašine mogu se smanjiti opasnosti koje se odnose na prašinu.

- Nemojte dozvoliti da vas poznavanje alata stečeno čestom upotrebom učini samodopadnim pa da ignorirate sigurnosne principe za alat. Nema re radnje u djeliću sekunde mogu rezultirati teškim povredama.

UPOTREBA I NJEGA ELEKTRIČNOG ALATA

- Nemojte preopterećavati električni alat. Upotrebljavajte ispravan električni alat za svoju primjenu. Ispravan električni alat bolje će i sigurnije odraditi posao pri brzini za koju je predviđen.
- Nemojte upotrebljavati električni alat ako ga prekidač ne uključuje i isključuje. Svaki električni alat koji se ne može kontrolisati prekidačem opasan je i potrebno ga je popraviti.
- Prije obavljanja podešavanja, zamjene dodatne opreme ili skladištenja električnih alata isključite utikač iz izvora napajanja i/ili komplet baterija iz električnog alata. Takve preventivne sigurnosne mjere smanjuju rizik od iznenadnog pokretanja električnog alata.
- Nekorišteni električni alat skladištite izvan dohvata djece i nemojte dozvoliti da osobe koje ne poznaju električni alat ili ova uputstva rade s električnim alatom. Električni alati opasni su u rukama neobučenih korisnika.
- Održavajte električne alate i dodatnu opremu. Proverite jesu li pokretni dijelovi centrirani ili spojeni, ima li polomljenih dijelova i postoji li stanje koje može uticati na rad električnog alata. Ako je oštećen, električni alat dajte na popravak prije upotrebe. Loše održavani električni alati uzrok su mnogih nesreća.
- Rezne alate održavajte oštroma i čistima. Propisno održavani rezni alati s oštrim reznim rubovima vjerovatno se neće spajati i lakši su za upravljanje.
- Električni alat, dodatnu opremu i alatne nastavke, itd., upotrebljavajte u skladu s ovim uputstvima, uzimajući u obzir radne uslove i posao koji je potrebno obaviti. Upotreba električnog alata za radove drukčija od namjenske može rezultirati opasnim situacijama.
- Rukohvate i površine rukohvata održavajte suhim, čistim i očišćenim od ulja i masti. Skliski rukohvati i skliske površine rukohvata mogu uzrokovati nesigurno rukovanje i/ili gubitak kontrole nad alatom.

UPOTREBA I NJEGA BATERIJSKOG ALATA

- Punjenje obavljajte samo s punjačem kojeg je naveo proizvođač. Punjač koji je prikladan za jedan tip kompleta baterija može stvoriti rizik od požara ako ga se upotrebljava s drugim kompletom baterija.

- Električni alat upotrebljavajte samo s izričito navedenim kompletima baterija. Upotreba drugih kompleta baterija može stvoriti rizik od povreda i požara.
- Kada se komplet baterija ne upotrebljava, držite ga podalje od drugih metalnih predmeta poput spajalica za papir, kovanica, ključeva, eksera, vijaka ili drugih malih metalnih predmeta koji mogu međusobno spojiti kontakte. Kratko spajanje baterijskih kontakata može uzrokovati opekotine ili požar.
- U slučaju pogrešne upotrebe, baterija može izbaciti tekućinu; izbjegavajte kontakt. Ako slučajno dođe do kontakta, odnosa mjesta isperite vodom. Ako tekućina dođe u kontakt s očima, dodatno potražite pomoć ljekara. Tekućina koju izbaci baterija može uzrokovati nadražaj kože ili opekotine.
- Nemojte upotrebljavati oštećen ili modifikovan komplet baterija ili alat. Oštećene ili modifikovane baterije mogu pokazati nepredvidivo ponašanje koje može rezultirati požarom, eksplozijom ili opasnošću od povreda.
- Komplet baterija ili alat nemojte izlagati vatri ili previsokoj temperaturi. Izlaganje vatri ili temperaturi višoj od 130 °C može uzrokovati eksploziju.
- Pridržavajte se svih uputstava za punjenje i komplet baterija ili alat nemojte puniti izvan okvira opsega temperature navedenog u uputstvima. Neproprisan punjenje ili punjenje pri temperaturama izvan okvira određenog opsega može oštetiti bateriju i povećati opasnost od požara.

SERVISIRANJE

- Servisiranje električnog alata prepustite kvalifikovanom osoblju za popravak koje upotrebljava samo identične zamjenske dijelove. Time će se osigurati održavanje sigurnosti električnog alata.
- Nemojte nikada servisirati oštećene komplete baterija. Servisiranje kompleta baterija smiju obavljati samo proizvođač ili ovlašteni serviseri.

SIGURNOSNI PROPISI ZA AKUMULATORSKU KOSILICU ZA TRAVNJAK

⚠ OPASNOST! Ova kosilica izrađena je za rad u skladu s propisima za siguran rad opisan u ovom priručniku. Kao i kod bilo koje vrste električne opreme, neman ili greška rukovaoca mogu rezultirati teškim povredama. Ova kosilica može uzrokovati povrede šake i stopala i odbacivati predmete. Zanimarivanje svih sigurnosnih uputstava može rezultirati teškim povredama ili smrću.

⚠ UPOZORENJE! Pri upotrebi akumulatorskih kosilica za travnjak potrebno je uvijek pridržavati se osnovnih

mjera opreza radi smanjenja opasnosti od požara, strujnog udara i tjelesnih povreda.

VAŽNO!

**PAŽLJIVO PROČITAJTE PRIJE UPOTREBE.
SAČUVAJTE ZA BUDUĆE POTREBE.**

**SIGURNOSNI PROPISI ZA AKUMULATORSKE
KOSILICE ZA TRAVNJAK:**

OPREZ! - NEMOJTE DODIRIVATI ROTIRAJUĆI NOŽ!

OBUKA

- Pažljivo pročitajte uputstvo. Upoznajte se s upravljačkim elementima i propisnom upotrebom kosilice.
- Nemojte nikada dozvoliti da osobe koje nisu pročitale ova uputstva ili djeca upotrebljavaju kosilicu. Lokalni propisi mogu ograničavati starosnu dob rukovaoca.
- Kosilicu nemojte nikada upotrebljavati kada se u blizini nalaze osobe, a posebno djeca ili kućni ljubimci.
- Rukovalac ili korisnik odgovoran je za nesreće ili opasnosti za druge osobe ili njihovu imovinu.

PRIPREMA

- Tokom košnje uvijek nosite čvrstu obuću i dugačke hlače.
- Kosilicu nemojte upotrebljavati kada ste bos ili kada nosite otvorenu obuću. Izbjegavajte nošenje široke odjeće ili koja ima viseće vrpce ili vezice.
- Detaljno pregledajte područje na kojem ćete upotrebljavati kosilicu i uklonite sve kamenje, štapove, žice, kosti i druge strane predmete.
- Prije upotrebe uvijek vizuelno provjerite da li su noževi, vijci noževa i rezni sklopovi istrošeni ili oštećeni. Zamijenite istrošene ili oštećene noževe i vijke u kompletima radi održavanja ravnoteže. Zamijenite oštećene i nečitljive naljepnice.

RAD

- Kosite samo na dnevnom svjetlu ili pri dobrom umjetnom osvjetljenju.
- Po mogućnosti izbjegavajte upotrebu kosilice po mokroj travi.
- Uvijek osigurajte dobro uporište na nagibima.
- Hodajte, nemojte nikada trčati.
- Ako upotrebljavate rotacionu kosilicu s točkovima, na nagibima kosite samo poprečno, nikada gore-dolje.
- Budite vrlo oprezni kada mijenjate smjer na nagibima.
- Nemojte kositi na vrlo strmim nagibima.
- Budite vrlo oprezni kada kosilicu okrećete ili povlačite prema sebi.

- Zaustavite nož(eve) ako je kosilicu potrebno nagnuti radi premještanja pri prelasku preko površina koje nisu trava i pri premještanju na područje i s područja koje treba pokositi.
- Nemojte upotrebljavati kosilicu oštećenih štitnika ili zaštita ili bez postavljenih sigurnosnih uređaja, na primjer deflektora i/ili hvatača trave.
- Uključite motor u skladu s uputstvima i sa stopalima dobro odmaknutim od noža(eva).
- Pri uključivanju motora nemojte naginjati kosilicu, osim ako ju je potrebno nagnuti radi pokretanja. U tom slučaju kosilicu nemojte naginjati više nego što je potrebno i podignite samo onaj dio koji je podalje od rukovaoca. Prije vraćanja kosilice na tlo, uvijek se pobrinite da obje ruke budu u položaju rukovanja. Nemojte pokretati kosilicu kada stojite ispred izlaznog otvora.
- Ne stavljajte šake ili stopala u blizini ili ispod rotirajućih dijelova. Kod rotacionih kosilica uvijek se držite podalje od izlaznog otvora.
- Nemojte nikada podizati ili nositi kosilicu dok motor radi.
- Prije radova podešavanja i čišćenja isključite odvojivi komplet baterija (ili uređaj za deaktivaciju) i izvadite ga, pa pričekajte da se svi pokretni dijelovi potpuno zaustave:
 - kada napuštate kosilicu;
 - prije čišćenja blokada ili oslobađanja izlaznog otvora;
 - prije provjere, čišćenja ili rada na kosilici;
 - nakon udaranja o strani predmet. Pregledajte da li je kosilica oštećena i prema potrebi obavite popravak.
- Ako kosilica počne da neuobičajeno vibrira (odmah provjerite):
 - pregledajte postoje li oštećenja;
 - zamijenite ili popravite sve oštećene dijelove;
 - provjerite i pritegnite sve otpuštene dijelove.

ODRŽAVANJE I SKLADIŠTENJE

- Budite oprezni tokom podešavanja kosilice radi izbjegavanja uklještenja prstiju između okretnih noževa i fiksnih dijelova kosilice.
- Sve matice, svornjake i vijke održavajte pritegnutima radi osiguravanja sigurnog radnog stanja kosilice.
- Često provjeravajte je li hvatač trave istrošen ili dotrajao.
- Istrošene ili oštećene dijelove zamijenite radi sigurnosti.
- Čišćenje i održavanje koje obavlja korisnik ne smiju obavljati djeca bez nadzora.
- Pri servisiranju noževa budite oprezni jer i čak ako je strujni izvor isključen, noževi se još uvijek mogu okretati.

- Kod rotacionih kosilica vodite računa da upotrebljavate samo zamjenska sječiva odgovarajuće vrste.

LIČNA SIGURNOST

Ako rukovalac nije upozoren na prisutnost djece, moguće su nezgode s tragičnim posljedicama. Kosilica i košenje često privlače djecu. Djeca nisu svjesna opasnosti. Nemojte nikada pretpostavljati da će djeca ostati na mjestu gdje ste ih zadnji put vidjeli.

- Držite djecu podalje od područja košnje i pod stalnim nadzorom odgovorne odrasle osobe koja nije rukovalac.
- Budite oprezni i isključite kosilicu ako dijete uđe u područje košnje.
- Posebno budite oprezni kada se približavate nepreglednim zavojima, ulazima, gmlju, drveću ili drugim predmetima koji vam zaklanjaju pogled na dijete koje može istrčati pred kosilicu.
- Djecu je potrebno nadzirati kako biste se uvjerali da se ne igraju kosilicom.
- Kada vadite komplet baterija, kosilicu uvijek isključite. Zaustavite nož(ove) ako je kosilicu potrebno nagnuti radi premještanja pri prelasku preko površina koje nisu trava i pri premještanju na područje i s područja koja treba pokositi.

RAD

OSNOVNI RAD

- Prije sastavljanja kosilice pažljivo i u cijelosti pročitajte ovaj korisnički priručnik. Prije rukovanja s razumijevanjem pročitajte sva uputstva na kosilici i pridržavajte ih se. Prije rukovanja u cijelosti se upoznajte s upravljačkim elementima i propisnom upotrebom ove kosilice. Ovaj priručnik čuvajte na sigurnom mjestu radi budućih i redovnih potreba te naručivanja zamjenskih dijelova.
- Upotrebljavajte odgovarajuću kosilicu. – Kosilicu za travnjak nemojte upotrebljavati za druge radove osim za radove za koje je predviđena.
- Nemojte se previše naginjati prema naprijed. – Cijelo vrijeme održavajte propisno držanje i ravnotežu.
- Predmeti o koje udari nož kosilice mogu nanijeti teške tjelesne povrede. Travnjak je prije svake košnje uvijek potrebno pažljivo pregledati i očistiti od svih predmeta.
- Prije i tokom košnje pažljivo pogledajte iza sebe i prema dolje kako biste se uvjerali da u blizini nema male djece ili drugih osoba.
- Ovaj proizvod nije igračka. Stoga uvijek budite vrlo oprezni. Vaša kosilica predviđena je za samo jedan posao: košnju trave. Nemojte je upotrebljavati za druge svrhe.
- Nemojte preopterećavati kosilicu. – Kosilica će bolje i

sigurnije odraditi posao pri brzini za koju je predviđena.

- Prije upotrebe uvijek vizuelno provjerite da li su noževi, vijci noževa i rezni sklopovi istrošeni ili oštećeni. Zamijenite istrošene ili oštećene noževe i vijke i druge komponente u isto vrijeme radi održavanja ravnoteže. Zamijenite oštećene i nečitljive naljepnice.
- Budite vrlo oprezni kada kosilicu okrećete ili povlačite prema sebi.
- Detaljno pregledajte područje na kojem ćete upotrebljavati kosilicu. Uklonite sve kamenje, štapove, žice, igračke i druge strane predmete o koje se možete spotaknuti i koje nož može podići i odbaciti. Odbačeni predmeti mogu nanijeti teške tjelesne povrede. Isplanirajte obrazac košnje radi izbjegavanja pražnjenja materijala uz puteve, pješačke staze, posmatračne i slično. Osim toga izbjegavajte pražnjenje materijala uz zidove ili prepreke o koje se materijal može odbiti i vratiti prema vama.
- Radi izbjegavanja kontakta s nožem ili povreda uslijed odbačenih predmeta, ostanite u zoni rukovaoca iza rukohvata, a djecu, posmatračne, pomagače i kućne ljubimce držite na udaljenosti od najmanje 30 m od kosilice tokom rada. Zaustavite kosilicu ako neko uđe u područje košnje.
- Radi zaštite očiju, tokom rada i radova podešavanja ili popravka uvijek nosite zatvorene zaštitne naočale ili zaštitne naočale s bočnim štيتnicima. Odbačeni, odbijeni predmeti mogu uzrokovati teške povrede očiju. Ako se tokom rada stvara velika količina prašine, nosite masku za lice ili masku za zaštitu od prašine.
- Obucite se prikladno. – Nemojte nositi široku odjeću ili nakit. Mogu ih zahvatiti pokretni dijelovi. Kada radite na otvorenom, preporučujemo upotrebu gumenih rukavica i čvrste obuće. Nosite čvrste radne cipele s krutim donovima i uske hlače i majice. Preporučujemo nošenje majica i hlača koji prekrivaju ruke i noge te cipela sa čeličnom zaštitom za prste. Kosilicu nemojte nikada upotrebljavati bosonogi, u sandalama, skliskoj ili laganoj (npr. platnenoj) obući.
- Ne stavljajte šake ili stopala blizu rotirajućih dijelova ili ispod reznog trupa. Kontakt s nožem može rezultirati povredama šaka i stopala.
- Ako poklopac izlaznog otvora nedostaje ili ako je oštećen, može doći do kontakta s nožem ili povreda uslijed odbacivanja predmeta.
- Mnoge povrede nastaju kao rezultat povlačenja kosilice preko stopala zbog sklizavanja ili spoticanja. Ako padate, nemojte se držati za kosilicu i odmah pustite rukohvat.
- Kada hodate, nemojte povlačiti kosilicu unazad prema sebi. Ako kosilicu morate odmaknuti od zida ili prepreke, najprije pogledajte dolje i iza sebe kako biste izbjegli spoticanje, a zatim obavite sljedeće korake:

- Odmaknite se od kosilice tako da možete potpuno ispružiti ruke.
- Vodite računa da imate dobru ravnotežu i stabilnost.
- Lagano povlačite kosilicu unazad prema sebi, ali ne više od pola dužine.
- Prema potrebi ponovite ove korake.
- Kosilicu nemojte upotrebljavati pod uticajem alkohola ili lijekova.
- Budite oprezni. – Pazite šta radite. Postupajte razumno. Kosilicu za travnjak nemojte upotrebljavati kada ste umorni.
- Upravljački rukohvat motora/noža je sigurnosni uređaj. Nemojte nikada zaobilaziti njegovu funkciju. Time ćete sigurnosni uređaj učiniti nedjelotvornim, što može rezultirati tjelesnim povredama uslijed kontakta s rotirajućim nožem. Upravljački rukohvat motora/noža mora se pomicati lagano u oba smjera i po otpuštanju automatski se vratiti u deaktivirani položaj.
- Izbjegavajte opasna okruženja. – Kosilice za travnjak nemojte upotrebljavati na vlažnim ili mokrim mjestima.
- Nemojte upotrebljavati kosilicu na kiši.
- Uvijek si osigurajte stabilan položaj. Sklizavanje i pad mogu uzrokovati teške tjelesne povrede. Ako imate osjećaj da gubite stabilnost, odmah otpustite upravljački rukohvat motora/noža i nož će se prestati okretati u roku tri sekunde.
- Zaustavite nož kada prelazite preko šljunčanih staza, pješačkih staza ili puteva.
- Ako kosilica počne neuobičajeno vibrirati, zaustavite motor i odmah potražite uzrok. Vibracije u pravilu ukazuju na problem.
- Pregledajte postoje li oštećenja.
- Zamijenite ili popravite sve oštećene dijelove koje mijenja korisnik.
- Provjerite i pritegnite sve otpuštene dijelove.
- Kosilicu nemojte upotrebljavati bez odgovarajućeg pratećeg štitnika, poklopca izlaznog otvora, vreće za travu, nastavka za malčiranje, bočnog izlaznog otvora, upravljačkog rukohvata motora/noža ili ako drugi sigurnosni uređaji nisu na svom mjestu ili ako ne rade. Nemojte upotrebljavati kosilicu ako su sigurnosni uređaji oštećeni. Zanimarivanje navedenog može rezultirati tjelesnim povredama.
- Ako se pojave situacije koje nisu obuhvaćene ovim priručnikom, postupite oprezno i uz dobru procjenu. Za pomoć se obratite centru korisničke službe proizvođača EGO.
- Komplet baterija je potrebno izvaditi iz kosilice prije odlaganja u otpad.
- Bateriju je potrebno odložiti u otpad na siguran način.

RAD NA NAGIBU

Nagibi su glavni faktor za kojeg su vezane nezgode uslijed sklizavanja i padova koji mogu rezultirati teškim povredama. Uvijek osigurajte dobro uporište na nagibima. Rad na nagibima zahtijeva dodatni oprez. Ako se na nagibu osjećate nesigurno, nemojte ga kositi.

Šta je potrebno učiniti:

- Na nagibima kosite poprečno; nikada gore-dolje. Budite vrlo oprezni kada mijenjate smjer na nagibima.
- Pazite na rupe, brazde, kamenje, skrivene predmete ili neravnine zbog kojih se možete okliznuti ili spotaknuti. Visoka trava može skrivati prepreke.
- Šta ne trebate raditi:
- Nemojte kositi u blizini padina, jaraka ili nasipa; mogli biste izgubiti stabilnost ili ravnotežu.
- Nemojte kositi na nagibima većim 15 stepeni.
- Nemojte kositi moku travu. Nestabilno uporište može dovesti do sklizavanja.

SERVISIRANJE

⚠ UPOZORENJE! Komponente vreće za travu, poklopac izlaznog otvora, bočni izlazni otvor, nastavak za malčiranje i prateći štitnik podlježu trošenju i oštećenju, što može uzrokovati izlaganje pokretnih dijelova ili odbacivanje predmeta uz povećan rizik od povreda. Radi sigurnosti često provjeravajte sve komponente, a oštećene komponente odmah zamijenite identičnim zamjenskim dijelovima navedenima u ovom priručniku. Obratite se EGO korisničkoj službi ili najbližem EGO servisnom centru, i popravke ili zamjene obaviti će kvalifikovani servisni tehničar!

- Ako se sklopka za zaštitu od preopterećenja ugrađena u kosilicu često aktivira, obratite se EGO korisničkoj službi ili najbližem EGO servisnom centru.
- Kosilicu nemojte prati crijevom; izbjegavajte da voda dospije u motor i električne priključke.
- Kada ne upotrebljavate kosilicu, izvucite ključ i kosilicu skladištite u zatvorenom prostoru. Prije skladištenja kosilice u zatvoreni prostor, pričekajte da se motor ohladi. Kosilicu za travnjak je potrebno skladištiti na suhom, izdignutom mjestu ili u zatvorenom prostoru izvan dohvata djece.
- Kod radova servisiranja upotrebljavajte samo identične zamjenske dijelove navedene u ovom priručniku. Upotreba dijelova koji ne ispunjavaju zahtjeve specifikacija originalne opreme može rezultirati nepropisnim radnim učinkom i nedovoljnom sigurnošću.
- Izvadite ili odvojite komplet baterija prije servisiranja, čišćenja ili uklanjanja materijala iz kosilice za travnjak.

- Pridržavajte se uputstava za zamjenu pribora.
- Rukohvate održavajte suhim, čistim i očišćenim od ulja i masti.
- Radi smanjenja opasnosti od požara, na poklopcu motora ne smije biti trave, lišća i naslaga.
- Često provjeravajte propisnu pritegnutost montažnih vijaka noža i motora. Pregledajte nož na postojanje oštećenja (npr. da li je savijen, napukao i istrošen). Nož zamijenite samo identičnim zamjenskim nožem navedenim u ovom priručniku.
- Pažljivo održavajte kosilicu. – Nož kosilice održavajte ostrim i čistim radi najboljeg i najsigurnijeg radnog učinka. Noževi kosilice su oštri i mogu uzrokovati posjekotine. Umotajte nož ili nosite rukavice i budite vrlo oprezni pri njihovom servisiranju.
- Nemojte nikada uklanjati sigurnosne uređaje ili obavljati preinake sigurnosnih uređaja. Redovno provjeravajte propisnu funkciju sigurnosnih uređaja. Nemojte nikada činiti nešto što ometa predviđenu funkciju sigurnosnog uređaja ili ograničava zaštitu koju pruža sigurnosni uređaj.
- Uvijek zaustavite motor prije podešavanja točka ili visine rezanja.
- Nakon udaranja o strani predmet, zaustavite motor, izvucite ključ i detaljno pregledajte da li je kosilica oštećena. Popravite oštećenje prije ponovne upotrebe kosilice.
- Održavajte i prema potrebi zamijenite naljepnice sa sigurnosnim napomenama i uputama. Obratite se EGO korisničkoj službi ili najbližem EGO servisnom centru, i popravke ili zamjene obavite će kvalifikovani servisni tehničar!
- SAČUVAJTE OVA UPUTSTVA. Uputstvima se koristite često i koristite ih za upućivanje drugih osoba koje mogu koristiti ovaj alat. Ako ovaj alat nekom posudite, priložite i ovo uputstvo radi sprečavanja nepropisne upotrebe proizvoda i mogućih povreda.



UPOTREBA I ODRŽAVANJE BATERIJE

- Radi zaštite prirodnih resursa, baterije propisno reciklirajte ili odložite u otpad. Ovaj proizvod sadrži litij-ionske baterije. Lokalni i državni zakoni zabranjuju odlaganje litij-ionskih baterija u uobičajeni otpad. Za informacije o dostupnim opcijama za reciklažu i/ili odlaganje u otpad obratite se lokalnoj službi za zbrinjavanje otpada.
- Nakon vađenja kompleta baterija radi reciklaže ili odlaganja u otpad, kontakte kompleta baterija obložite postojanom ljepljivom trakom. Komplet baterija nemojte pokušavati uništavati ili rastavljati, ili uklanjati bilo koju od njegovih komponenti. Litij-ionske baterije potrebno je propisno reciklirati ili odložiti u otpad. Kontakte nemojte nikada dodirivati metalnim predmetima i/ili dijelovima tijela jer to može rezultirati kratkim spojem. Baterije držite podalje od djece. Zanemarivanje ovih upozorenja

može rezultirati požarom i/ili teškim povredama.

- **U SLUČAJU POGREŠNE UPOTREBE, BATERIJA MOŽE IZBACITI TEKUĆINU; IZBJEGAJTE KONTAKT. AKO SLUČAJNO DOĐE DO KONTAKTA, ODNOSNA MJESTA ISPERITE VODOM. AKO TEKUĆINA DOĐE U KONTAKT S OČIMA, DODATNO POTRAŽITE POMOĆ LJEKARA.** Tekućina koju izbaci baterija može uzrokovati nadražaj kože ili opekotine.

TEHNIČKI PODACI

Broj modela	LM2020E	LM2020E-SP	
Sistem samostalnog pogona	Ne	Da	
Napon	56 V 	56 V 	
Brzina vrtnje bez opterećenja	3000 /min	3000 /min	
Visina rezanja	25-95 mm	25-95 mm	
Preporučena radna temperatura:	0°C - 40°C	0°C - 40°C	
Preporučena temperatura skladištenja:	-20°C - 70°C	-20°C - 70°C	
Položaji visine rezanja	6	6	
Veličina trupa	51 cm	51 cm	
Širina rezanja	50 cm	50 cm	
Zapremina vreće za travu	60 L	60 L	
Masa kosilice (bez kompleta baterija, nastavka za malčiranje)	24.4 kg	27.2 kg	
Model noža	AB2001	AB2001	
Izmjereni nivo zvučne snage L_{WA}	91.5 dB(A) K=1.80 dB(A)	91.0 dB(A) K=1.89 dB(A)	
Nivo zvučnog pritiska kod uha rukovaoca L_{PA} K = 3 dB(A)	79.5 dB(A)	79.2 dB(A)	
Zagarantovani nivo zvučne snage L_{WA} (u skladu s Direktivom 2000/14/EZ)	93 dB(A)	93 dB(A)	
Procjena vibracija ah: K = 1,5 m/s ²	Lijevi rukohvat	≤2.5 m/s ²	≤2.5 m/s ²
	Desni rukohvat	≤2.5 m/s ²	≤2.5 m/s ²

Kočnica noža	DA	DA
--------------	----	----

- Deklarisane ukupne vrijednosti vibracija izmjerene su u skladu sa standardnom metodom ispitivanja i mogu se primjenjivati za poređenje jednog alata s drugim.
- Deklarisane ukupne vrijednosti vibracija mogu se primjenjivati i u preliminarnoj procjeni izloženosti.

NAPOMENA! Emisija vibracija tokom aktuelne upotrebe električnog alata može se razlikovati od deklarirane vrijednosti u kojoj se alat upotrebljavao; Korisnik radi zaštite treba nositi rukavice i štittike za uši u aktuelnim uslovima upotrebe.

LISTA PAKOVANJA

NAZIV DIJELA	KOLIČINA
Kosilica za travnjak	1
Vreća za travu	1
Okvir vreće za travu	1
Nastavak za malčiranje	1
Bočni izlazni otvor	1
Sigurnosni ključ	1
Korisnički priručnik	1

OPIS

UPOZNAJTE SVOJU KOSILICU (sl. A, B, C, D i E)

- 1 Sigurnosna sklopka (ručica za prebacivanje)
- 2 Rukohvat
- 3 Sigurnosno dugme
- 4 Okidač samostalnog pogona
- 5 Obujmica za fiksiranje rukohvata
- 6 Vreća za travu
- 7 Ručica za podešavanje visine rezanja
- 8 Stražnji točak
- 9 Zaklopka stražnjeg izlaznog otvora
- 10 Trup kosilice
- 11 Poklopac trupa
- 12 Prednji točak
- 13 Prednja LED svjetla
- 14 Poklopac kompleta baterija
- 15 Stražnji rukohvat
- 16 Ručica za brzo podešavanje
- 17 Zaklopka stražnjeg izlaznog otvora
- 18 Bočna vodilica
- 19 Ručica za regulaciju brzine samostalnog pogona

- 20 Stražnji štittik
- 21 Indikator napajanja
- 22 Prekidač za prednja LED svjetla
- 23 Dugme za oslobađanje baterije
- 24 Utor sigurnosnog ključa
- 25 Nastavak za malčiranje
- 26 Bočni izlazni otvor

RAD

POSTAVLJANJE VREĆE ZA TRAVU

- 1) Gurnite vreću za travu na okvir (sl. F).
- 2) Postavite gornje obujmice na okvir (sl. G). Zatim postavite dvije bočne obujmice. Na kraju postavite donju obujmicu.
- 3) Potpuno postavljena vreća za travu prikazana je na sl. H.

PODEŠAVANJE SKLOPIVOG RUKOHVATA

⚠ UPOZORENJE! Nemojte pokušavati pokrenuti kosilicu dok je rukohvat fiksiran u jednom od tri prethodno postavljena radna položaja (GORNJI RADNI POLOŽAJ, SREDNJI RADNI POLOŽAJ i DONJI RADNI POLOŽAJ).

Kosilica se isporučuje s rukohvatom u kompaktnom, ZAKLJUČANOM POLOŽAJU ZA SKLADIŠTENJE (sl. I).

- 1) Izvucite dva okretna dugmeta za brzo podešavanje i okrenite ih za 90° za otpuštanje rukohvata iz ZAKLJUČANOG POLOŽAJA ZA SKLADIŠTENJE.
- 2) Podignite rukohvat iz sklopljenog položaja, a zatim otpustite ručicu. Nježno okrećite rukohvat prema gore dok ne začujete i ne osjetite da je blokirni klin ulegao u jedan od sljedećih položaja prikazanih na sl. J.

Opis dijelova na sl. J pogledajte u nastavku:

J-1	Zaključani položaj za skladištenje
J-2	Položaj za pričvršćivanje/skidanje vreće za travu
J-3	Gornji radni položaj
J-4	Srednji radni položaj
J-5	Donji radni položaj

POSTAVLJANJE/SKIDANJE VREĆE ZA TRAVU/NASTAVKA ZA MALČIRANJE/BOČNOG IZLAZNOG OTVORA

⚠ UPOZORENJE! Nemojte podešavati kosilicu ako prije toga niste zaustavili motor, izvukli sigurnosni ključ i pričekali da se nož prestane okretati.

NAPOMENA! Prije košnje, na kosilicu za travnjak pričvrstite željeni priključak.

■ Pričvršćivanje/skidanje vreće za travu (sl. K)

Podesite rukohvat u odgovarajući radni položaj. Podignite zaklopku stražnjeg izlaznog otvora i zakačite

BS

vreću za travu na okretnu osovinicu. Za uklanjanje jednostavno podignite vreću za travu i skinite je s okretne osovinice. Na kraju, otpustite zaklopku stražnjeg izlaznog otvora.

NAPOMENA! Prije pričvršćivanja vreće za travu, s kosilice uklonite prethodno postavljeni nastavak za malčiranje.

■ Pričvršćivanje/skidanje nastavka za malčiranje (sl. L)

Podignite zaklopku stražnjeg izlaznog otvora i umetnite nastavak za malčiranje u kosilicu. Ako ga želite skinuti, jednostavno ga izvucite. Na kraju, otpustite zaklopku stražnjeg izlaznog otvora.

■ Pričvršćivanje/skidanje bočnog izlaznog otvora (sl. M)

Podignite zaklopku stražnjeg izlaznog otvora. Poravnajte utor izlaznog otvora s okretnim dugmetom zaklopke izlaznog otvora i nježno otpustite zaklopku bočnog izlaznog otvora kako biste je okrenuli oko okretne osovinice do čvrstog naljezanja na izlazni otvor. Za uklanjanje podignite zaklopku bočnog izlaznog otvora, podignite bočni izlazni otvor i skinite montažno okretno dugme zaklopke.

Opis dijelova na sl. M pogledajte u nastavku:

M-1	Zaklopka stražnjeg izlaznog otvora
M-2	Montažno okretno dugme
M-3	Montažni utor
M-4	Bočni izlazni otvor
M-5	Osovinica

NAPOMENA! Kada pričvršćujete bočni izlazni otvor, nastavak za malčiranje mora biti postavljen.

PODEŠAVANJE VISINE REZANJA (sl. N)

UPOZORENJE! Pri podešavanju visine držite stopala podalje od trupa. Kosilicu možete postaviti na 6 visina rezanja, od 25 mm do 95 mm. Odaberite odgovarajuću visinu rezanja u skladu s vrstom i stanjem trave.

NAPOMENA! Kada pomičete alat, vodite računa da visina rezanja bude postavljena na položaj 3 ili viši. Zanemarivanje navedenog može rezultirati oštećenjem noža.

POSTAVLJANJE/SKIDANJE KOMPLETA BATERIJE (sl. O)

Upotrebljavajte samo s kompletima baterija i punjačima koji su navedeni na sl. A.

KOMPLET BATERIJA NAPUNITE PRIJE PRVE UPOTREBE.

⚠ UPOZORENJE! Ako su neki dijelovi polomljeni ili ako nedostaju, nemojte pokušavati da postavljate komplet baterija na kosilicu ili da upotrebljavate kosilicu dok ne zamijenite odnosne dijelove. Zanemarivanje navedenog može rezultirati teškim povredama.

■ Postavljanje

Komplet baterija gurajte u pretinac za baterije dok ne začujete zvuk "klikanja".

■ Skidanje

Pritisnite dugme za oslobađanje baterije u pretincu za baterije.

Opis dijelova na sl. O pogledajte u nastavku:

O-1	Utor sigurnosnog ključa
O-2	Sigurnosni ključ
O-3	Dugme za oslobađanje baterije

NAPOMENA! Prije početka rada uvjerite se da je zasun na kosilici ulegao u svoje mjesto i da je komplet baterija pričvršćen na kosilicu.

POKRETANJE/ZAUSTAVLJANJE KOSILICE

⚠ UPOZORENJE! Pri rukovanju bilo kojom kosilicom za travnjak može doći do odbacivanja stranih predmeta u vaše oči ili oči drugih osoba, što može rezultirati teškim oštećenjem očiju. Uvijek nosite sigurnosne naočale kada rukujete kosilicom ili kada obavljate podešavanje ili popravke na kosilici.

⚠ UPOZORENJE! Kada upotrebljavate kosilicu, pobrinite se da druge osobe i kućni ljubimci ostanu na udaljenosti od najmanje 30 m od kosilice.

⚠ UPOZORENJE! Nož će se nastaviti okretati nekoliko sekundi nakon isključivanja kosilice. Pričekajte da se motor/nož prestane okretati prije ponovnog pokretanja. Kosilicu nemojte naglo isključiti pa uključiti.

SIGURNOSNI KLJUČ

Radi sprečavanja iznenadnog pokretanja ili neovlaštene upotrebe akumulatorske kosilice, u kosilicu je ugrađen sigurnosni ključ kojeg je moguće izvući. Kada se sigurnosni ključ izvuče iz kosilice, kosilica će se potpuno onemogućiti.

⚠ OPASNOST! Rotirajući noževi mogu nanijeti teške povrede. Radi izbjegavanja teških povreda, sigurnosni ključ izvucite kada je kosilica bez nadzora ili kada obavljate radove podešavanja, čišćenja, servisiranja, prenošenja, dizanja ili skladištenja kosilice.

NAPOMENA! Motor nije moguće pokrenuti osim u sljedećim slučajevima:

- Rukohvat je zaključan u jednom o tri radna položaja. Pogledajte odjeljak PODEŠAVANJE SKLOPIVOG RUKOHVATA.

- Bočne vodilice su potpuno izvučene (sl. P).
- Obje zelene objumice za fiksiranje rukohvata dobro su zatvorene (sl. Q).

Q-1 Linija označavanja

⚠ OPREZ! Nemojte pokušavati zaobilaziti funkciju sigurnosnog dugmeta i sigurnosne sklopke.

Pokretanje

- 1) Postavite komplet baterija na kosilicu, umetnite sigurnosni ključ u utor za ključ i zatvorite poklopac pretnica za baterije (sl. O).
- 2) Pritisnite sigurnosno dugme skladu sa sl. R.
- 3) S pritisnutim prekidačem povucite sigurnosnu sklopku prema gore, prema rukohvatu, a zatim otpustite sigurnosno dugme (sl. S).

Zaustavljanje

- 1) Potpuno otpustite sigurnosnu sklopku.
- 2) Električna kočnica u mehanizmu automatskog kočenja zaustavit će okretanje noža u roku 3 sekunde po otpuštanju sigurnosne sklopke.

SISTEM SAMOSTALNOG POGONA S

VARIJABILNOM BRZINOM

(samo model LM2020E-SP)

Kosilica LM2020E-SP opremljena je funkcijom samostalnog pogona s varijabilnom brzinom. Ovaj sistem je nezavisan od prekidača za uključivanje/isključivanje noža; njegov rad ne zavisi od okretanja noža.

Za upotrebu sistema bez okretanja noža, povucite okidač samostalnog pogona na rukohvatu.

Za isključivanje samostalnog pogona otpustite okidač samostalnog pogona.

Sistem ima varijabilnu brzinu. Za povećanje brzine pomaknite ručicu za regulaciju brzine samostalnog pogona prema naprijed. Za smanjenje brzine pomaknite ručicu za regulaciju brzine samostalnog pogona unazad (sl. T).

Rad s rotirajućim nožem za rezanje

1. Pokrenite kosilicu.
2. Dok lijevom rukom držite sigurnosnu sklopku uz rukohvat, desnom rukom povucite okidač samostalnog pogona uz rukohvat.
3. Desnom rukom istovremeno držite sigurnosnu sklopku i okidač samostalnog pogona uz rukohvat, a lijevom rukom pomoću ručice za regulaciju brzine

samostalnog pogona odaberite odgovarajuću brzinu.

⚠ UPOZORENJE! Radi smanjenja opasnosti od povreda, nemojte nikada pokušavati zaobilaziti rad sklopke ili sistema samostalnog pogona. Sistem samostalnog pogona predviđen je samo za namjensku svrhu.

PREDNJA LED SVJETLA (sl. A-13)

Pritisnite prekidač (sl. C-22) za uključivanje/isključivanje prednjih LED svjetala na prednjoj strani pretnica za baterije.

INDIKATOR NAPAJANJA NA KOSILICI (sl. U)

Kosilica je opremljena indikatorom napajanja koji ukazuje na nivo napunjenosti paketa baterije i radni status kosilice. Indikator napajanja svijetli kada se nož okreće ili kada su uključena prednja LED svjetla.

Indikator napajanja na kosilici	Značenje	Radnja
Svijetli zeleno.	Kosilica radi propisno; baterija ima najmanje 15% punjenja.	Nije primjenjivo.
Svijetli crveno.	Vrlo nizak nivo napunjenosti baterije	Zaustavite kosilicu i napunite paket baterija.
Treperi crveno.	Baterija je skoro prazna.	Zaustavite kosilicu i napunite paket baterija.
Svijetli narandžasto.	Kosilica ili komplet baterija je pregrijan/a.	Izvadite bateriju iz kosilice, premjestite ih u hlad i pričekajte najmanje 15 minuta da se ohlade.
Treperi narandžasto.	Kosilica je preopterećena.	Radi smanjenja opterećenja, usporite tempo ili povećajte visinu rezanja.

ZAŠTITA OD PREOPTEREĆENJA KOSILICE

Radi sprečavanja preopterećenja, nemojte pokušavati odjednom uklanjati preveliku količinu trave. Usporite tempo ili povećajte visinu rezanja.

Kosilica ima ugrađenu zaštitu od preopterećenja. U slučaju preopterećenja kosilice, motor će se zaustaviti, a indikator napajanja na kosilici će treperiti u narandžastoj boji. Izvadite komplet baterija iz kosilice. Provjerite da li se ispod trupa nakupila trava i prema potrebi je očistite, a zatim stavite bateriju i ponovo pokrenite kosilicu.

ZAŠTITA OD VISOKE TEMPERATURE BATERIJE

Komplet baterija stvara toplotu tokom upotrebe. Toplota se sporije širi kada je toplo vrijeme. Ako temperatura baterije tokom rada prekorači 70 °C, zaštitni krug će odmah isključiti kosilicu kako bi se komplet baterija zaštitio od oštećenja. Indikator napajanja na kosilici svijetli će u narandžastoj boji, a LED indikator na bateriji treperit će u istoj boji. Otpustite sigurnosnu sklopku, pričekajte da se komplet baterija ohladi na oko 67 °C, a zatim ponovo pokrenite kosilicu.

ODRŽAVANJE

⚠ UPOZORENJE! Radi izbjegavanja teških tjelesnih povreda, uvijek izvucite sigurnosni ključ i izvadite komplet baterija iz kosilice prije radova čišćenja ili održavanja.

⚠ UPOZORENJE! Kada obavljate radove servisiranja, upotrebljavajte samo identične zamjenske dijelove. Upotreba drugih dijelova može uzrokovati opasnost ili oštećenje proizvoda. Radi osiguranja sigurnosti i pouzdanosti, sve popravke treba obavljati kvalifikovani servisni tehničar.

ČIŠĆENJE KOSILICE

⚠ UPOZORENJE! Prije radova servisiranja ili transporta kosilice uvijek izvucite sigurnosni ključ i izvadite komplet baterija.

Donju stranu trupa kosilice potrebno je očistiti nakon svake upotrebe kako bi se spriječilo nakupljanje komadića trave, lišća, prljavštine ili drugih naslaga. Ovo nakupljanje je nepoželjno, jer će podsticati nastanak hrđe i korozije na metalnim dijelovima i smanjiti radni učinak kosilice.

Uklonite naslage trave i lišće s pogonske osovine motora (LM2020E-SP) i ventilatora motora i oko njih (nemojte upotrebljavati vodu). Kosilicu čistite vlažnom krpom.

SKIDANJE/POSTAVLJANJE NOŽA

⚠ UPOZORENJE! Pri obavljanju radova održavanja na nožu kosilice uvijek zaštitite ruke nošenjem čvrstih rukavica ili umotajte noževe krpama ili drugim materijalom.

■ Skidanje noža (sl. W)

NAPOMENA! Ako se vijak pri otpuštanju okreće zajedno s osovinom motora, okrenite ventilator rukom kako biste poravnali otvore na ventilatoru s otvorima na nožu, a zatim stavite drugu metalnu šipku u poravnate otvore.

■ Postavljanje noža

Uz pridržavanje redoslijeda montaže prikazanog na

sl. V, s lopaticom ventilatora okrenutom prema trupu i otisnutom stranom noža prema van, poravnajte otvore na ventilatoru s otvorima na nožu (sl. X), a zatim pritegnite nož kako je prikazano na sl. X.

Opis dijelova na sl. V i W pogledajte u nastavku:

V-1	Ventilator	V-5	Vijak
V-2	Unutrašnja prirubnica	W-1	Stabilizator 1
V-3	Nož	W-2	Stabilizator 2
V-4	Vanjska prirubnica	W-3	Ključ 14 mm

NAPOMENA! Preporučeni moment pritezanja vijka noža je 49 - 59 Nm.

SKLADIŠTENJE KOSILICE

- Izvadite komplet baterija iz kosilice i skladištite ga na hladnom, suhom i čistom mjestu. Komplet baterija nemojte skladištiti pored korozivnih materijala kao što su gnojiva ili kamena sol.
- Kosilicu skladištite na natkrivenom, zatvorenom, hladnom i suhom mjestu izvan dohvata djece.
- Kosilicu za travnjak nemojte prekrivati čvrstom plastičnom folijom. Plastični prekrivači ne propuštaju vlagu oko kosilice, što uzrokuje nastanak hrđe i korozije.
- Kosilica se može skladištiti u uspravnom ili položenom položaju (sl. Z).

⚠ UPOZORENJE! Ako se kosilica počne prevrtati iz uspravnog položaja, može doći do oštećenja kosilice ili tjelesnih povreda. Kada je kosilica u uspravnom položaju, uvijek je držite stabilnom i izvan dohvata djece. Kosilicu po mogućnosti skladištite u položenom položaju.

Zaštita životne sredine



Električnu opremu, punjač baterije i baterije/punjive baterije ne odlažite u kućni otpad!

Evropska Direktiva 2012/19/EU o električnoj i elektroničkoj opremi koja više nije iskoristiva i Evropska Direktiva 2006/66/EZ zahtijevaju da se neispravni ili iskorišteni kompleti baterija/baterije moraju sakupljati zasebno.

Ako se električni uređaji odlažu na odlagališta otpada ili deponije, opasne tvari mogu iscurjeti u podzemne vode i dospjeti u lanac ishrane i negativno uticati na zdravlje i dobrobit ljudi.

OTKLANJANJE PROBLEMA

⚠ UPOZORENJE! Prije radova servisiranja ili transporta kosilice uvijek izvucite sigurnosni ključ i izvadite komplet baterija. Pri obavljanju radova održavanja na nožu kosilice uvijek zaštitite ruke nošenjem čvrstih rukavica ili umotajte noževe krpama ili drugim materijalom.

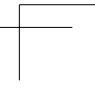
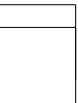
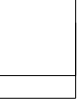
PROBLEM	UZROK	RJEŠENJE
Kosilicu nije moguće pokrenuti.	<ul style="list-style-type: none"> ■ Komplet baterija je ispražnjen. ■ Komplet baterija nije postavljen u svoje ležište u pretincu za baterije. ■ Elektronika kompleta baterija ili kosilice je previše vruća. (Indikator napajanja na kosilici svijetlit će u narandžastoj boji 10 sekundi.) ■ Bočne vodilice nisu izvučene na maksimalnu dužinu, a objumice nisu fiksirane u svom položaju. ■ Rukohvat nije postavljen u jedan od tri radna položaja. ■ Trup kosilice je začepljen travom i naslagama. 	<ul style="list-style-type: none"> ■ Napunite komplet baterija. ■ Pričvrstite komplet baterija na kosilicu; pritisćite ga dok ne začujete zvuk klikanja. ■ Pričekajte da se komplet baterija ili kosilica ohlade na temperaturu ispod 67°C. ■ Potpuno izvucite rukohvat i zatvorite obje objumice. ■ Podesite rukohvat u jedan od tri radna položaja. ■ Očistite trup kosilice i osigurajte dovoljno mjesta za kretanje noža.
Kosilica kosi neravnomjerno.	<ul style="list-style-type: none"> ■ Nož je tup. ■ Visina rezanja nije pravilno postavljena. ■ Nož je postavljen nepravilno. 	<ul style="list-style-type: none"> ■ Naoštrite ili zamijenite nož. ■ Podignite trup na veću postavku visine rezanja. ■ Ponovo postavite nož prema uputama u odjeljku „POSTAVLJANJE NOŽA“ u ovom priručniku.
Kosilica se zaustavila tokom košnje.	<ul style="list-style-type: none"> ■ Komplet baterija je ispražnjen. ■ Kosilica je preopterećena. ■ Trup kosilice je začepljen travom i naslagama. ■ Elektronika kompleta baterija ili kosilice je previše vruća. (Indikator napajanja na kosilici svijetlit će u narandžastoj boji 10 sekundi.) ■ Bočna vodilica je malo uvučena zbog pritiska na rukohvat. 	<ul style="list-style-type: none"> ■ Napunite komplet baterija. ■ Povećajte visinu rezanja ili usporite košnju. ■ Očistite trup kosilice od naslaga. Povećajte visinu rezanja ili pravite uske otkose. ■ Pričekajte da se komplet baterija ili kosilica ohlade na temperaturu ispod 67°C. ■ Otpustite objumice. Potpuno izvucite bočne vodilice pa ponovo zatvorite objumice.

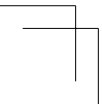
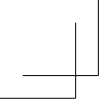
PROBLEM	UZROK	RJEŠENJE
Kosilica ne malčira pravilno.	<ul style="list-style-type: none">■ Mokri komadići trave lijepe se za donju stranu trupa.■ Kosilica je postavljena za košnju prevelike količine trave odjednom.	<ul style="list-style-type: none">■ Prije košnje pričekajte da se trava posuši.■ Podignite trup na veću postavku visine rezanja.
Pojavljaju se prevelike vibracije.	<ul style="list-style-type: none">■ Rezni nož je olabavljen.■ Rezni nož nije balansiran.■ Rezni nož je savijen.■ Osovina motora je savijena.	<ul style="list-style-type: none">■ Pritegnite vijak noža.■ Balansirajte nož prema uputstvima.■ Zamijenite nož.■ Obratite se servisnom centru.
Obujmice za fiksiranje rukohvata ne mogu se zatvoriti.	<ul style="list-style-type: none">■ Bočne vodilice nisu potpuno izvučene.	<ul style="list-style-type: none">■ Potpuno izvucite bočne vodilice, a zatim zatvorite obujmice.

GARANCIJA

POLITIKA GARANCIJE PROIZVOĐAČA EGO

Za sve odredbe i uslove politike garancije proizvođača EGO posjetite internetsku stranicu egopowerplus.com.





المشكلة	السبب	الحل
هناك اهتزازات زائدة	<ul style="list-style-type: none"> ■ شفرة الجرّ مفكوكة. ■ شفرة الجرّ غير متزنة. ■ شفرة الجرّ مثنية. ■ عمود تدوير المحرك مثني. 	<ul style="list-style-type: none"> ■ اربط مسمار الشفرة جيدًا. ■ وازن الشفرة باتباع التعليمات. ■ استبدل الشفرة. ■ تواصل مع مركز الصيانة.
لا يمكن إغلاق مشابك قفل المقبض في موضعها.	<ul style="list-style-type: none"> ■ القضبان الجانبية غير ممدودة بالكامل. 	<ul style="list-style-type: none"> ■ قم بتمديد القضبان الجانبية بالكامل، ثم اقلل المشابك.

الضمان

سياسة ضمان EGO

تفضل بزيارة الموقع الإلكتروني egopowerplus.com للتعرف على الشروط والأحكام الكاملة الخاصة بسياسة ضمان EGO.

استكشاف الأعطال وإصلاحها

⚠ تحذير: احرص دائماً على خلع مفتاح الأمان ومجموعة البطارية عند إجراء أعمال الصيانة على الجِزَّارة أو نقلها. احرص دائماً على حماية يديك عن طريق ارتداء قفازات قوية أو تغليف الحواف القاطعة بقطعة قماش أو مواد أخرى ملائمة عند إجراء أي أعمال صيانة على شفرة الجِزَّارة.

المشكلة	السبب	الحل
لا يمكن بدء تشغيل الجِزَّارة	<ul style="list-style-type: none"> نقد شحن مجموعة البطارية. مجموعة البطارية غير مركبة في موضعها الصحيح في حجرة البطارية. هناك ارتفاع زائد في حرارة البطارية أو الدائرة الكهربائية للجِزَّارة. (سيضيئ مؤشر الطاقة الموجود بالجِزَّارة لمدة 10 ثوانٍ باللون البرتقالي) القضبان الجانبية غير ممدودة لأقصى طول لها والمشابك غير مقفلة في موضعها الصحيح. المقبض غير مضبوط على أحد أوضاع التشغيل الثلاثة. هناك عشب وعوالق تعيق حركة أرضية الجِزَّارة. 	<ul style="list-style-type: none"> اشحن مجموعة البطارية. قم بتركيب مجموعة البطارية في الجِزَّارة؛ واضغط عليها إلى أن تسمع صوت نقرة. اترك مجموعة البطارية أو الجِزَّارة تبرد إلى تهبط درجة الحرارة إلى ما دون 67 درجة مئوية. قم بتمديد المقبض بالكامل، واقلل كلا المشابكين. اضبط المقبض على وضع من أوضاع التشغيل الثلاثة. نظف أرضية الجِزَّارة، وتأكد من أن الشفرة تتحرك بحرية.
الجِزَّارة تجرّ العشب بشكل غير متساوٍ	<ul style="list-style-type: none"> الشفرة غير حادة. لم يتم ضبط ارتفاع الجرّ بشكل صحيح. تم تجميع الشفرة بشكل غير صحيح. 	<ul style="list-style-type: none"> قم بشدّ الشفرة أو استبدالها. ارفع أرضية الجِزَّارة إلى وضع ضبط ارتفاع أعلى للجرّ. أعد تجميع الشفرة، وذلك باتّباع قسم "تركيب الشفرة" من هذا الدليل.
الجِزَّارة تتوقف أثناء الجرّ	<ul style="list-style-type: none"> نقد شحن مجموعة البطارية. الجِزَّارة في وضع الحمل الزائد. هناك عشب وعوالق تعيق حركة أرضية الجِزَّارة. هناك ارتفاع زائد في حرارة البطارية أو الدائرة الكهربائية للجِزَّارة. (سيضيئ مؤشر الطاقة الموجود بالجِزَّارة لمدة 10 ثوانٍ باللون البرتقالي) القضيب الجانبي منكمش قليلاً بفعل قوة الدفع المطبقة على المقبض. 	<ul style="list-style-type: none"> اشحن مجموعة البطارية. اضبط ارتفاع الجرّ على وضع أعلى أو قم بالجرّ بوتيرة أبطأ. تخلص مما يعيق أرضية الجِزَّارة. اضبط ارتفاع الجرّ على وضع أعلى، أو قم بجعل عرض الجرّ أضيق. اترك مجموعة البطارية أو الجِزَّارة تبرد إلى تهبط درجة الحرارة إلى ما دون 67 درجة مئوية. افتح قفل المشابك. قم بتمديد القضبان الجانبية بالكامل واقلل المشابك مرة أخرى.
لا تقوم الجِزَّارة بتوزيع العشب المجزور على الأرض بشكل صحيح.	<ul style="list-style-type: none"> هناك قصاصات عشب رطب عالقة على الجانب السفلي لأرضية الجِزَّارة. تم ضبط الجِزَّارة لجرّ كمية زائدة من العشب مرة واحدة. 	<ul style="list-style-type: none"> انتظر حتى يجفّ الحشائش قبل جرّها. ارفع أرضية الجِزَّارة إلى وضع ضبط ارتفاع أعلى للجرّ.

الحماية ضد الحمل الزائد على الجِزَازَة

لمنع حالات الحمل الزائد، لا تحاول إزالة الكثير من العشب في وقت واحد. أبطنى من وثيرة الجِزَازَة أو اضبط ارتفاع الجِزَازَة على وضع أعلى. جِزَازَتك مزودة بدائرة حماية داخلية ضد الحمل الزائد. عند تعرض الجِزَازَة لحمل زائد، سيتوقف المحرك ويومض مؤشر الطاقة الموجود بالجِزَازَة. اخلع مجموعة البطارية من الجِزَازَة. تحقق ما إذا كان العشب قد تجمّع تحت أرضية الجِزَازَة، وتخلص منه عند اللزوم، ثم قم بتثبيت البطارية وأعد تشغيل الجِزَازَة.

الحماية ضد الارتفاع الزائد في درجة حرارة البطارية

ستتولد عن مجموعة البطارية حرارة أثناء التشغيل. تتبدد الحرارة بشكل أبطأ في الطقس الحار. إذا تحطمت درجة حرارة البطارية 70 درجة مئوية أثناء التشغيل، ستقوم دائرة الحماية على الفور بإطفاء الجِزَازَة لحماية مجموعة البطارية من التلف. سيلمع مؤشر الطاقة الموجود في الجِزَازَة باللون البرتقالي، وستومض لمبة LED الموجودة في البطارية باللون البرتقالي. حرر مفتاح المقبض، وانتظر إلى أن تبرد مجموعة البطارية وصولاً إلى حوالي 67 درجة مئوية، ثم أعد تشغيل الجِزَازَة.

الصيانة

⚠ تحذير: لتجنب التعرض لإصابات خطيرة، احرص دائماً على خلع مفتاح الأمان ومجموعة البطارية من الجِزَازَة قبل تنظيفها أو إجراء أي أعمال صيانة.

⚠ تحذير: استخدم فقط قطع غيار أصلية عند إجراء أعمال الصيانة. لأن استخدام أي أجزاء أخرى قد ينشأ عنه خطر أو يتسبب في تعرض المنتج للتلف. لضمان السلامة والاعتمادية، يجب تنفيذ جميع أعمال الإصلاح من قبل فني خدمة مؤهل.

تنظيف الجِزَازَة

⚠ تحذير: احرص دائماً على خلع مفتاح الأمان ومجموعة البطارية عند إجراء أعمال الصيانة على الجِزَازَة أو نقلها.

يجب تنظيف الجانب السفلي من أرضية الجِزَازَة بعد كل استخدام، لأن قصاصات العشب، والأوساخ، والموالغ الأخرى قد تتراكم. هذا التراكم غير مرغوب فيه، حيث أنه سيتسبب في حدوث صدأ وتآكل في الأجزاء المعدنية، مع الحد من كفاءة عمل الجِزَازَة. تخلص من أي تراكم للعشب وأوراق الشجر على عمود التنوير (LM2020E-SP) أو حوله، وعلى مروحة المحرك (لا تستخدم الماء). امسح الجِزَازَة لتنظيفها باستخدام منشفة مبللة.

خلع تركيب الشفرة

⚠ تحذير: احرص دائماً على حماية يديك عن طريق ارتداء قفازات قوية أو تغليف الحواف القاطعة بقطعة قماش أو مواد أخرى ملائمة عند إجراء أي أعمال صيانة على شفرة الجِزَازَة.

• لخلع الشفرة (الشكل W)

ملاحظة: إذا دار المسمار مع عمود تدوير المحرك عند فك المسمار، أدر المروحة باليد إلى أن تحاذي الفتحات الموجودة في المروحة مع الفتحات الموجودة في الشفرة، وضع عموداً معدنياً آخرًا في الفتحات المتحاذية.

• تركيب الشفرة

باتباع تسلسل التجميع في الشكل V، بحيث تكون شفرة المروحة متجهة نحو الأرضية، والجانب المطبوع عليه من الشفرة متجهًا للخارج، قم بمحاذاة الفتحات الموجودة في المروحة مع الفتحات الموجودة في الشفرة (الشكل X)، ثم اربط الشفرة كما هو موضح في الشكل X.

الشكل V وW انظر أدناه للتعرف على شرح الأجزاء:

V-1	المروحة	V-5	مسمار ملولب
V-2	الشفرة الداخلية	W-1	قضيب الموازنة 1
V-3	الشفرة	W-2	قضيب الموازنة 2
V-4	الشفرة الخارجية	W-3	مفتاح ربط 14 مم

ملاحظة: العزم الموصى به عند ربط مسمار الشفرة هو 49-59 نيوتن متر.

تخزين الجِزَازَة

• اخلع مجموعة البطارية من الجِزَازَة وخزنها في مكان بارد جاف نظيف. لا تخزنها بالقرب من المواد المسببة للتآكل، مثل السماد أو الملح الصخري.

• قم بتخزين الجِزَازَة في مكان مغلق، مع ضمان برودته وجفافه وأن يكون بعيداً عن متناول أيدي الأطفال.

• لا تقم بتغطية جِزَازَة الحشائش بمفرش بلاستيكي صلب. لأن الأغشية البلاستيكية تحبس الرطوبة حول الجِزَازَة، وهو ما قد يتسبب في تراكم الصدأ وتآكل المعدن.

• يمكن تخزين الجِزَازَة في وضع الوقوف منتصبه أو في وضع مسطح (الشكل Z).

⚠ تحذير: إذا انقلبت الجِزَازَة من وضع الوقوف منتصبه، فقد تتعرض الجِزَازَة للتلف مع حدوث إصابات شخصية. احرص دائماً على ثبات الجِزَازَة وبعيداً عن متناول أيدي الأطفال عندما تكون في وضع الوقوف منتصبه. إن أمكن، فقم بإمالتها إلى الوضع المسطح لتخزينها.

حماية البيئة



لا تتخلص من المعدات الكهربائية وشاحن البطارية والبطاريات العادية/البطاريات القابلة لإعادة الشحن في النفايات المنزلية! وفقاً للقانون الأوروبي EU /2012/19، فإن المعدات الكهربائية والإلكترونية التي لم تعد صالحة للاستخدام، ووفقاً للقانون الأوروبي EC/2006/66، فإن مجموعات البطارية/البطاريات المعطوبه أو المستهلكة، يجب جمعها بشكل منفصل.

إذا تم التخلص من الأجهزة الكهربائية في أكوام القمامة أو مقبل النفايات، قد تتسرب مواد خطيرة في المياه الجوفية وتصل إلى السلسلة الغذائية، وهو ما يضر بالصحة والبيئة.

تشغيل/إيقاف الجرّازة

⚠ تحذير: قد يؤدي تشغيل أي جرّازة حشائش إلى تطاير الأشياء الغريبة تجاه عينيك أو أعين الآخرين، وهو ما قد يتسبب في إلحاق أضرار خطيرة بالعينين. احرص دائماً على ارتداء نظارات حماية أثناء تشغيل الجرّازة، أو أثناء إجراء أي تعديلات أو إصلاحات عليها.

⚠ تحذير: احرص على بقاء الأشخاص الآخرين والحيوانات الأليفة على مسافة لا تقل عن 30 متر بعيداً عن الجرّازة أثناء استخدامها.

⚠ تحذير: تستمر الشفرة في الدوران لعدة ثوان بعد إطفاء الجرّازة. اترك المحرك/الشفرة يتوقف عن الدوران قبل بدء التشغيل مرة أخرى. لا تقم بإطفاء الجرّازة وتشغيلها بسرعة.

مفتاح الأمان

لمنع بدء التشغيل غير المقصود أو الاستخدام غير المرخص به لجرّازاتك اللاسلكية، فقد تم دمج مفتاح أمان قابل للخلع في تصميم الجرّازة. لن يمكن باي حال من الأحوال تشغيل الجرّازة بعد خلع مفتاح الأمان منها.

⚠ خطر: الشفرات التي تدور قد تسبب في وقوع إصابات خطيرة. ولمنع وقوع أي إصابات خطيرة، اخلع مفتاح الأمان عند ترك الجرّازة دون رقابة، أو عند إجراء أعمال الضبط أو التنظيف أو الصيانة أو النقل أو الرفع أو التخزين عليها.

ملاحظة: لن يمكن بدء تشغيل المحرك إلا إذا:

- كان المقبض مضبوط على أحد أوضاع التشغيل الثلاثة، راجع ضبط المقبض القابل للطي.
- تم تمديد القضبان الجانبية بالكامل (الشكل P).
- تم إغلاق كلا مشبكي قفل المقبض ذوي اللون الأخضر بشكل آمن (الشكل Q).

Q-1 | خط التحديد

⚠ تنبيه: لا تحاول تجاوز إجراءات تشغيل زر الأمان ومفتاح المقبض.

لبده التشغيل

- 1) قم بتركيب مجموعة البطارية في الجرّازة، وأدخل مفتاح الأمان في فتحة المفتاح، ثم أغلق غطاء البطارية (الشكل O).
- 2) وفقاً للشكل R، اضغط لأسفل على زر الأمان.
- 3) أثناء الضغط لأسفل على زر المفتاح، اسحب مفتاح المقبض لأعلى حتى المقبض، وحرر زر الأمان (الشكل S).

الإيقاف

- 1) حرر مفتاح المقبض بالكامل.
- 2) ستقوم الفرملة الكهربائية الموجودة في آلية الفرملة الأوتوماتيكية بإيقاف الشفرة عن الدوران خلال 3 ثوانٍ من تحرير مفتاح المقبض.

نظام الدفع الذاتي ذو السرعة المتغيرة

(يسري على الطراز LM2020E-SP فقط)

جرّازة LM2020E-SP مزودة بنظام الدفع الذاتي ذي السرعة المتغيرة. هذا النظام مستقل عن مفتاح تشغيل/إيقاف الشفرة؛ فهو لا يعتمد على دوران الشفرة.

لتشغيل النظام بدون دوران الشفرة، اسحب الزناد ذاتي الدفع ناحية المقبض.

لإيقاف النظام ذاتي الدفع، حرر الزناد ذاتي الدفع.

النظام به سرعات متغيرة. لزيادة السرعة، حرك رافعة التحكم في السرعة ذاتية الدفع للأمام. لخفض السرعة، حرك رافعة التحكم في السرعة ذاتية الدفع للخلف (الشكل T).

للتشغيل أثناء دوران الشفرة للجرّازة:

1. ابدأ تشغيل الجرّازة.
2. أثناء الإمساك بمفتاح المقبض قبالة المقبض باليد اليسرى، اسحب الزناد ذاتي الدفع نحو المقبض بيدك اليمنى.
3. أمسك كلاً من مفتاح القبط والزراد ذاتي الدفع بشكل متزامن قبالة المقبض بيدك اليمنى، واستخدم بيدك اليسرى لضبط رافعة التحكم في السرعة ذاتية الدفع لاختيار سرعة ملائمة.

⚠ تحذير: للتقليل من خطر الإصابة، لا تحاول أبداً

تجاوز إجراءات تشغيل المفتاح أو نظام الدفع الذاتي. استخدم وظيفة الدفع الذاتي للفرص المخصصة له فقط.

الكشافات الأمامية LED (الشكل A-13)

اضغط على زر المفتاح (الشكل C-22) لتشغيل/إيقاف الكشافات الأمامية الموجود في مقدمة حجرة البطارية.

مؤشر الطاقة الموجود بالجرّازة (الشكل U)

الجرّازة مزودة بمؤشر طاقة للإشارة إلى مستوى شحن مجموعة البطارية وحالة تشغيل الجرّازة. سيضيئ مؤشر الطاقة أثناء دوران الشفرة أو عند تشغيل الكشافات الأمامية.

الإجراء	المعنى	مؤشر الطاقة في الجرّازة
غير متاح	الجرّازة تعمل بشكل ملائم؛ البطارية بها شحن لا يقل عن 15%	أخضر لامع
أوقف الجرّازة واشحن مجموعة البطارية	شحن البطارية منخفض	أحمر لامع
أوقف الجرّازة واشحن مجموعة البطارية	نفد شحن البطارية تقريباً	أحمر وامض
أخرج البطارية من الجرّازة، وضعها في الظل ودعها تبرد لمدة لا تقل عن 15 دقيقة	هناك سخونة زائدة في الجرّازة أو مجموعة البطارية	برتقالي لامع
اعمل بوتيرة أبطأ أو اضبط ارتفاع الجزّ على وضع أعلى لتقليل الحمل	هناك حمل زائد على الجرّازة	برتقالي وامض

التشغيل

تركيب/خلع أنبوب التفريغ الجانبي (الشكل M)

ارفع باب التفريغ الجانبي. قم بمحاذاة الفتحة الموجودة بأنبوب التفريغ مع بكرة باب التفريغ، وحرر باب التفريغ الجانبي برفق لجعله يدور حول القضيب المحوري إلى أن يستقر على أنبوب التفريغ بإحكام. للخلع، ارفع باب التفريغ الجانبي، وارفع أنبوب التفريغ الجانبي لأعلى بعيداً عن بكرة تجميع الباب. الشكل M انظر أذناه للتعرف على شرح الأجزاء:

M-1	باب التفريغ الجانبي
M-2	بكرة التجميع
M-3	فتحة التجميع
M-4	أنبوب التفريغ الجانبي
M-5	محور التنوير

ملاحظة: يجب تركيب وصلة توزيع العشب المجزوز عندما يكون أنبوب التفريغ الجانبي مركباً.

ضبط ارتفاع الجرّ (الشكل N)

تحذير: احتفظ بأقدامك بعيداً عن أرضية الآلة عند ضبط ارتفاعها. يمكن ضبط الجرّ على 6 ارتفاعات جرّ تتراوح ما بين 25 مم إلى 95 مم. اختر ارتفاع الجرّ المناسب وفقاً لنوع العشب وحالته.

ملاحظة: عند نقل الآلة، تأكد من ضبط ارتفاع الجرّ على الوضع 3 أو أعلى. لأن عدم فعل ذلك قد يؤدي إلى حدوث تلف في الشفرة.

تركيب/خلع مجموعة البطارية (الشكل O)

لا تستخدم الآلة إلا مع مجموعات البطارية والشواحن المدرجة في الشكل A.

اشحن البطارية قبل الاستخدام لأول مرة.

تحذير: إذا كانت هناك أي أجزاء مكسورة أو مفقودة، لا تحاول تركيب مجموعة البطارية في الجرّارة أو تشغيل الجرّارة إلا بعد استبدال الأجزاء المكسورة أو المفقودة. عدم فعل ذلك قد يؤدي لإصابات خطيرة.

■ انقع مجموعة البطارية في حبيرة البطارية إلى أن تسمع صوت "نفرة".

■ للخلع اضغط لأسفل على زر تحرير البطارية الموجود في حجرة البطارية.

الشكل O انظر أذناه للتعرف على شرح الأجزاء:

O-1	فتحة مفاتيح الأمان
O-2	مفاتيح الأمان
O-3	زر تحرير البطارية

ملاحظة: تأكد من انغلاق اللسان الموجود بالجرّارة في مكانه الصحيح، وأن مجموعة البطارية محكمة التنبيت بشكل آمن في الجرّارة قبل بدء التشغيل.

تجميع حقيبة العشب

- 1) مرر حقيبة العشب على الهيكل (الشكل F).
- 2) قم بتجميع المشابك العلوية على الهيكل (الشكل G). وبعد ذلك، قم بتجميع المشبكين الجانبيين. قم بتجميع المشبك السفلي في النهاية.
- 3) حقيبة العشب المجهزة بالكامل موضحة في الشكل H.

ضبط المقبض القابل للطي

تحذير: لا تحاول بدء تشغيل الجرّارة إلا بعد قفل المقبض على وضع من أوضاع التشغيل الثلاثة سابقة الضبط (وضع التشغيل العلوي، ووضع التشغيل الأوسط، ووضع التشغيل السفلي). يتم توريد الجرّارة والمقبض في وضع التخزين المقلد المدمج (الشكل I).

- 1) اسحب بكرتي الضبط السريع للخارج، وأدرهما بزاوية 90 درجة لتحرير المقبض من وضع التخزين المقلد.
 - 2) ارفع المقبض من وضعه المطوي، ثم حرر الرافعة. أدر المقبض على محوره لأعلى برفق إلى أن تسمع صوت تعشيق مشبك النقل وتعشّر به في وضع من الأوضاع المختلفة التالية على النحو المعروض في الشكل L.
- الشكل I انظر أذناه للتعرف على شرح الأجزاء:

J-1	وضع التخزين المقلد
J-2	وضع تركيب/إزالة حقيبة العشب
J-3	وضع التشغيل الطوي
J-4	وضع التشغيل الأوسط
J-5	وضع التشغيل السفلي

تركيب/خلع حقيبة العشب/وصلة توزيع العشب المجزوز/أنبوب التفريغ الجانبي

تحذير: لا تقم في أي وقت بإجراء أي أعمال ضبط على جرّارة الحشائش دون إيقاف المحرك أولاً، واخلع مفاتيح الأمان والانتظار حتى توقف الشفرة تماماً عن الدوران.

ملاحظة: يكون تركيب أي ملحق من الملحقات في جرّارة الحشائش قبل بدء الجرّ.

تركيب/إزالة حقيبة العشب (الشكل K)

اضبط المقبض على وضع التشغيل المناسب. ارفع باب التفريغ الخلفي واشبك حقيبة العشب على القضيب المحوري. للخلع، ما عليك سوى رفع حقيبة العشب لأعلى عن القضيب المحوري. وفي النهاية، حرر باب التفريغ الخلفي.

ملاحظة: اخلع وصلة توزيع العشب المجزوز سابقة التركيب من الجرّارة قبل تركيب حقيبة العشب في الجرّارة.

تركيب/إزالة وصلة توزيع العشب المجزوز (الشكل L)

ارفع باب التفريغ الخلفي وأدخل وصلة توزيع العشب المجزوز في الجرّارة. لخلعها، ما عليك سوى سحبها للخارج. وفي النهاية، حرر باب التفريغ الخلفي.

كما يمكن استخدام القيمة الكلية للاهتزاز الموضحة في التقييم التمهيدي للعرض.

ملاحظة: قد تختلف انبعاثات الاهتزاز أثناء الاستخدام الفعلي للألة العاملة بالطاقة عن القيمة المعلنة التي يتم استخدام الآلة فيها، ولحماية مشغل الآلة، ينبغي على المستخدم ارتداء قفازات وواقبات للأذن في ظروف الاستخدام الفعلية.

قائمة المحتويات

الكمية	اسم الجزء
1	جزّارة الحشائش
1	حقيبة العشب
1	إطار حقيبة العشب
1	وصلة توزيع العشب المجزور
1	أنبوب التفريغ الجانبي
1	مفتاح الأمان
1	دليل التشغيل

الوصف

تعرف على الجزّارة (الشكل A و B و C و D و E)

- 1 مفتاح المقبض (ذراع التشغيل)
- 2 المقبض
- 3 زر الأمان
- 4 زناد ذاتي الدفع
- 5 مشبك قفل المقبض
- 6 حقيبة العشب
- 7 ذراع ضبط ارتفاع الجزّارة
- 8 العجلة الخلفية
- 9 باب التفريغ الجانبي
- 10 أرضية الجزّارة
- 11 غطاء أرضية الجزّارة
- 12 العجلة الأمامية
- 13 كشافات أمامية LED
- 14 غطاء مجموعة البطارية
- 15 المقبض الخلفي
- 16 رافعة الضبط السريع
- 17 باب التفريغ الخلفي
- 18 قضيب جانبي
- 19 رافعة التحكم في السرعة ذاتية الدفع
- 20 واقي المخلفات
- 21 مؤشر الطاقة
- 22 مفتاح تشغيل الكشافات الأمامية
- 23 زر تحرير البطارية
- 24 فتحة مفتاح الأمان
- 25 وصلة توزيع العشب المجزور
- 26 أنبوب التفريغ الجانبي

في حالات التعامل السيء، قد يحدث ارتشاح للسوائل من البطارية، لا تلمسه. إذا حدثت ملامسة بشكل عرضي، فاغسلها بالماء. إذا لامس السائل العينين، فاطلب المساعدة الطبية على الفور. السائل المرتشح من البطارية قد يتسبب في حدوث احتياج في الجلد أو حروق.

المواصفات

رقم الطراز	LM2020E	LM2020E-SP
نظام ذاتي الدفع	لا	نعم
الجهد الكهربائي	56 فولت	56 فولت
السرعة بدون حمل	3000/دقيقة	3000/دقيقة
طول الجزّارة	95 - 25 سم	95 - 25 سم
درجة حرارة التشغيل الموصى بها:	0 - 40 درجة مئوية	0 - 40 درجة مئوية
درجة حرارة التخزين الموصى بها:	20 - 70 درجة مئوية	20 - 70 درجة مئوية
أوضاع ضبط طول الجزّارة	6	6
حجم أرضية الآلة	51 سم	51 سم
عرض الجزّارة	50 سم	50 سم
حجم حقيبة العشب	60 لتر	60 لتر
وزن الجزّارة (بدون مجموعة البطارية ووصلة توزيع العشب المجزور)	24.4 كجم	27.2 كجم
طراز الشفرة	AB2001	AB2001
مستوى قوة الصوت المقترن L_{WA}	91.5 ديسيبل (A) 1.80=K	91.0 ديسيبل (A) 1.89=K
مستوى ضغط الصوت عند أذن مشغل الآلة L_{PA} 3=K ديسيبل (A)	79.5 ديسيبل (A)	79.2 ديسيبل (A)
مستوى قوة الصوت المضمون L_{WA} تم قياسه وفقاً للمعيار (2000/14/EC)	93 ديسيبل (A)	93 ديسيبل (A)
القيمة المقدرة لمقبض الأيسر للاهتزاز a_{h1} 1.5=K / م/ثانية	2.5 م/ثانية	2.5 م/ثانية
القيمة المقدرة لمقبض الأيمن	2.5 م/ثانية	2.5 م/ثانية
فرملة الشفرة	نعم	نعم

القيمة الكلية للاهتزاز الموضحة تم قياسها وفقاً لطريقة اختبار قياسية وقد تستخدم لمقارنة أداة بأخرى؛

- إذا حدثت حالات غير منكرة في هذا الدليل، توخّ الحذر واتخذ قرارات حكيمة. تواصل مع قسم خدمة العملاء بشركة EGO طلباً للدعم.
- لا تستخدم الآلة إلا مع مجموعات البطارية والشواحن المدرجة في الشكل A.
- تجنب إزالة مجموعة البطارية من الجهاز قبل التخلص منه.
- يجب التخلص من البطارية بشكل آمن.

التشغيل على منحدر:

- المنحدرات عامل أساسي متعلق بحوادث الانزلاق والسقوط، وهو ما قد يؤدي لإصابات خطيرة. تحقق دائماً من موضع أقدامك على المنحدرات. التشغيل على المنحدرات يتطلب انتباهاً زائداً. إذا شعرت بعدم الارتياح على أحد المنحدرات، فلا تقم بجزّ الحشائش عليه.

افعل:

- يكون الجزّ على وجه المنحدرات، ولا تقم أبداً بالجزّ لأعلى ولأسفل. توخّ الحذر الشديد والحيلة عند تغيير اتجاهاتك أثناء العمل في المنحدرات.
- انتبه للحفر أو الأحاديث أو الصخور أو الأشياء غير المرئية أو النتوءات، لأنها قد تتسبب في انزلاقك أو تحريك العشب الطويل قد يخفي أسفله العوائق.

لا تفعل:

- لا تقم بالجزّ بالقرب من المنحدرات أو الخنادق أو الجسور؛ لأنك قد تنزلق أو تتفقد توازنك.
- لا تقم بالجزّ على المنحدرات التي يزيد ميلها عن 15 درجة.
- لا تقم بالجزّ على العشب المبلل. عدم ثبات الأقدام قد يؤدي إلى الانزلاق.

الصيانة

- **تحذير:** مكونات حقيبة العشب وغطاء التفريغ وأنبوب التفريغ الجانبي ووصلة توزيع العشب المجزوز وواقى المخلفات عرضة للتآكل والتلف، وهو ما قد يجعل الأجزاء المتحركة مكشوفة أو يسمح بتطاير الأشياء، ما قد يؤدي إلى زيادة خطر التعرض لإصابات. لأغراض السلامة، احرص على فحص جميع المكونات بانتظام واستبدل المكونات التالفة على الفور بقطع الغيار الأصلية المدرجة في هذا الدليل. تواصل مع قسم خدمة العملاء بشركة EGO أو أقرب مركز صيانة تابع لها، كما ينبغي أن يكون تنفيذ أعمال الإصلاح أو الاستبدال من قبل فني صيانة مؤهل.

إذا كان مفتاح الحماية الداخلي ضد الحمل الزائد في الجزّارة يتم تفعيله بشكل متكرر، تواصل مع قسم خدمة العملاء بشركة EGO أو أقرب مركز صيانة تابع للشركة.

- لا تغسل الجزّارة بخراطيم الماء؛ وتجنب وصول الماء إلى المحرك والتوصيلات الكهربائية.
- اخلع المفتاح وخذن جزّارة الحشائش عند عدم استخدامها داخل مكان مغلق. يرجى ترك المحرك ليبرد قبل تخزينه في أي صندوق. يجب تخزين الجزّارة في صندوق جاف، مرتفع عن الأرض، محكم الإغلاق، بعيداً عن متناول أيدي الأطفال.
- لا تستخدم سوى قطع الغيار الأصلية المدرجة في هذا الدليل عند صيانة الآلة. لأن استخدام قطع غيار لا تتوافق مع مواصفات المعدات الأصلية قد يؤدي إلى الأداء غير السليم والتأثير بالسلب على الأمان.

- أزل مجموعة البطارية أو افصلها قبل صيانة جزّارة الحشائش أو تنظيفها أو إزالة المواد منها.
- اتبع تعليمات تغيير الملحقات.
- احتفظ بالمقابض جافة، نظيفة، خالية من الزيوت والشحوم.
- لتقليل خطر نشوب حريق، حافظ على خلو غطاء المحرك من الحشائش وأوراق الشجر وتراكم العوالق.
- افحص مسامير تثبيت الشفرة والمحرك بانتظام للتأكد من ربطها كما ينبغي. وكذا، افحص الشفرة بعينيك بحثاً عن أي علامات للتلف (على سبيل المثال، وجود انتناء أو تشقق أو تآكل).
- احرص على استبدال الشفرة بشفرة أصلية مطابقة للمواصفات المذكورة في هذا الدليل.
- حافظ على جزّارتك جيداً – احتفظ بشفرة الجزّارة حادة ونظيفة لكي تحصل على أفضل أداء وأكثره أماناً. شفرات الجزّارة حادة وقد تتسبب في جروح. قم بتغليف الشفرة أو ارتد القفازات وتعامل بحرص شديد أثناء صيانتها.
- لا تقم أبداً بإزالة أجهزة الأمان أو أن تعبت فيها. تحقق بانتظام من التشغيل الملائم لها. لا تفعل أبداً أي شيء قد يتداخل مع الوظيفة المحددة لجهاز الأمان أو يقلل من مستوى الحماية المقدم من جهاز الأمان.
- احرص دائماً على إيقاف المحرك قبل إجراء تعديلات على العجلة أو ضبط ارتفاع الجزّ.
- بعد الارتطام بشيء غريب، أوقف المحرك، اخلع المفتاح، وافحص الجزّارة جيداً بحثاً عن أي علامات للتلف. أصلح التلف قبل تشغيل الجزّارة.
- حافظ على ملصقات السلامة والتعليمات واستبدلهم عند اللزوم. تواصل مع قسم خدمة العملاء بشركة EGO أو أقرب مركز صيانة تابع لها، كما ينبغي أن يكون تنفيذ أعمال الإصلاح أو الاستبدال من قبل فني صيانة مؤهل.
- **احفظ هذه التعليمات.** راجعهم باستمرار واستخدمهم لتوجيه الآخرين عند استخدام هذه الآلة. إذا قمت بإقراض هذه الآلة لشخص آخر، أرفق معها هذه التعليمات لمنع سوء استخدام المنتج والإصابات المحتملة.

استخدام البطارية والعناية بها

- للمحافظة على الموارد الطبيعية، يُرجى إعادة تدوير البطاريات أو التخلص منها كما ينبغي. هذا المنتج يحتوي على بطاريات ليثيوم-أيون. القوانين المحلية أو الوطنية تمنع التخلص من بطاريات ليثيوم-أيون في النفايات المنزلية العادية. استشر الجهة المحلية المعنية بالنفايات للتعرض على المعلومات الخاصة بالخيارات المتاحة لإعادة التدوير و/أو التخلص من المنتج.
- بمجرد خلع مجموعة البطارية للتخلص منها أو إعادة تدويرها، قم بتغطية أطراف توصيل مجموعة البطارية بشرائط لاصق قوي. لا تحاول تدمير مجموعة البطارية أو تفكيكها، أو إزالة أي مكون من مكوناتها. يجب التخلص من بطاريات ليثيوم-أيون أو إعادة تدويرها بطريقة ملائمة أيضاً، لا تقم أبداً بتوصيل أطراف البطارية بأبناية معدنية و/أو بأجزاء هيكل الآلة، لأن هذا قد يتسبب في حوث دائرة قصر (قتل للدائرة). احتفظ بها بعيداً عن متناول أيدي الأطفال. عدم الامتثال لهذه التحذيرات قد يؤدي لنشوب حريق أو التعرض لإصابات خطيرة.

- الأشياء التي تعيق شفرة جزّارة الحشائش قد تتسبب في حدوث إصابات خطيرة للأشخاص. يجب دائماً فحص الحشائش جيداً وتنظيفها من جميع الأشياء التي قد تعيق الآلة قبل إجراء أي أعمال جزّ.
- قبل التحرك للخلف وأثناءه، انظر للخلف وللأسفل للتأكد من عدم وجود أطفال صغار أو أي أشخاص آخرين.
- هذه الآلة ليست لعبة. ومن ثم، تعامل معها بحذر شديد في جميع الأوقات. تم تصميم وحدتك لتنفيذ مهمة واحدة: جزّ الحشائش. لا تستخدمها لأي أغراض أخرى.
- لا تجبر الآلة على العمل خارج نطاق قدرتها – حيث أنها ستقوم بأداء مهمتها بشكل أفضل وأكثر أماناً عند الالتزام بالمعدل الذي أعدت له.
- قبل الاستخدام، احرص دائماً على فحص الآلة بعينيك للتأكد من عدم تآكل أو تلف الشفرات أو مسامير الشفرة أو تجمعة القاطع. استبدل الشفرات والمسامير وأي مكونات أخرى متآكلة أو تالفة في نفس الوقت لتحافظ على توازن الآلة. استبدل المصمات التالفة أو التي لا يمكن قراءتها.
- توخّ الحذر الشديد عند عكس اتجاه عمل الجهاز أو سحبه تجاهك.
- افحص المنطقة المراد استخدام الجهاز عليها بعناية. أزل جميع الحصى والعصى والأسلاك والألعاب والأشياء الغريبة الأخرى التي قد تعلق في الآلة، أو قد تلتقطها الآلة وتغذّيها. لأن الأشياء المقدوفة قد تتسبب في إصابات شخصية خطيرة. ضع خطة لنمط الجزّ لتجنب تفريغ المواد جهة الطرق ورصيف المشاة والأشخاص المرافقين وما شابه ذلك. أيضاً، تجنب تفريغ المواد تجاه الحوائط أو العوائق، لأن هذا قد يتسبب في ارتدادها ناحية مشغل الآلة.
- لتجنب ملامسة الشفرة أو التعرض لإصابة بفعل الأشياء المتطايرة، ابق في منطقة التشغيل الآمنة خلف المقابض، واجعل الأطفال والمرافقين والمساعدين والحيوانات الأليفة على بعد مسافة لا تقل عن 30 متراً عن الجزّارة أثناء تشغيلها. أوقف الآلة عند دخول أي شخص إلى منطقة العمل.
- احرص دائماً على ارتداء نظارات حماية العينين أو أقيات العينين أثناء التشغيل، وأثناء تنفيذ أعمال الحظيط أو الإصلاح، لكي تحمي عينيك. الأشياء المتطايرة التي ترتد قد تتسبب في تعرض عينيك لإصابات خطيرة. احرص دائماً على ارتداء قناع الوجه أو الغبار إذا كان التشغيل يتم في بيئة يعلوها الغبار.
- ارتد الملابس الملائمة – لا ترتدي ملابس فضفاضة أو مجوهرات. فقد ينشكركون في الأجزاء المتحركة. من المستحسن استخدام قفازات مطاطية وأحذية عند العمل في الهواء الطلق خارج المياني. احرص على ارتداء أحذية عمل قوية ذات نعل صلب، وبنطال وقميص شديد الالتصاق بالجسم. من الموصى به ارتداء قميص وبنطال يغطيان الأذرع والسيقان، وأحذية أمان مبطنة بالصلب. لا تقم أبداً بتشغيل هذه الآلة وأنت حافي القدمين، أو وأنت ترتدي صندلاً أو حذاء زلفاً أو خفيف الوزن (على سبيل المثال، القماش).
- لا تضع يديك أو قدميك بالقرب من الأجزاء الدوارة أو تحت أرضية الجزّ. قد تتسبب ملامسة الشفرة في تعرض اليدين أو القدمين لإصابات.
- قد يتسبب غطاء فوهة التفريغ المفقود أو التالف في ملامستك للشفرة أو التعرض لإصابات بفعل الأشياء المتطايرة.
- تحدث العديد من الإصابات كنتيجة لدهس الجزّارة لقدم أثناء سقوطها بسبب انزلاقها أو تعثرها. لا تحاول الإمساك في الجزّارة إذا تعثرت وسقطت، بل اترك المقبض على الفور.
- لا تقم أبداً بسحب الجزّارة للخلف ناحيتك وأنت تمشي. إذا كنت مضطراً للرجوع بالجزّارة لتبتعد عن جدار أو عائق، انظر أسفك وخلفك أولاً لتجنب التعثر في أي شيء، ثم اتبع الخطوات التالية:
- تراجع مبتعداً عن الجزّارة إلى أن يمتد ذراعاك تماماً.
- تأكد من محافظتك على توازنك وثبات أقدامك.
- اسحب الجزّارة للخلف ببطء، بحيث لا تتخطى نصف المسافة الفاصلة بينك وبينها.
- وكرر تلك الخطوات بحسب الحاجة.
- لا تقم بتشغيل الجزّارة وأنت تحت تأثير الكحول أو العقاقير.
- لا تقم أبداً بتشغيل الجهاز بينما الياقوت أو الدروع المركبة تالفة، أو بدون أجهزة سلامة، على سبيل المثال، أنبوب التوجيه المثني و/أو لاقط العشب.
- ابق في حالة ناهب – انتبه لما تقوم به. كن عقلياً عند استخدام الآلة. لا تقم بتشغيل جزّارة الحشائش وأنت مرهق.
- مقبض التحكم في المحرك/الشفرة يعد جهاز أمان. ولذا لا تحاول أبداً تجاوز آلية تشغيله. ففعل ذلك قد يجعل جهاز الأمان غير قابل للتشغيل، ما قد يؤدي إلى وقوع إصابات شخصية بسبب ملامسة الشفرة الدوارة. يجب أن يكون تشغيل مقبض التحكم في المحرك/الشفرة في كلا الاتجاهين سهلاً، وأن يعود تلقائياً إلى وضع عدم التشعيق عند تركه.
- تجنب بيانات العمل الخطيرة – لا تستخدم جزّارة الحشائش في الموقع الرطبة أو المبللة.
- لا تستخدم الآلة أثناء المطر.
- تحقق دائماً من موضع قدمك. لأن الانزلاق أو السقوط قد يتسبب في حدوث إصابات شخصية خطيرة. إذا شعرت بأنك تفقد توازنك، حرر مقبض التحكم في المحرك/الشفرة على الفور، وستتوقف الشفرة عن الدوران خلال ثلاث ثوانٍ.
- أوقف الشفرة عند المرور على الممرات المفروشة بالحصى أو مناطق التمشية أو الطرق.
- إذا بدأت الآلة في الاهتزاز بشكل غير طبيعي، أوقف المحرك على الفور وافحصه بحثاً عن السبب. فالاهتزاز عادة ما يكون تحذيراً بوجود مشكلة.
- افحص الجهاز بحثاً عن أي أعراض للتلّف؛
- استبدل أي أجزاء تالفة قابلة للاستبدال من قبل المستخدم أو أصلحها؛
- افحص بحثاً عن أي أجزاء مفكوكة واربطها.
- لا تقم أبداً بتشغيل الجزّارة دون التحقق من ان وافي المخلفات الملام، أو غطاء التفريغ، أو حقيبة العشب، أو وصلة توزيع العشب المحزوز، أو أنبوب التفريغ الجانبي، أو مقبض التحكم في المحرك/الشفرة، أو أجهزة الأمان الأخرى في مكانه ويعمل كما ينبغي. لا تقم أبداً بتشغيل الجزّارة وأجهزة الأمان تالفة. لأن عدم اتباع هذه التعليمات قد يتسبب في حدوث إصابات خطيرة.

- إذا بدأ الجهاز في الاهتزاز بشكل غير طبيعي (افحصه على الفور):
- افحص الجهاز بحثاً عن أي أعراض للتلف؛
- استبدل أي أجزاء تالفة أو أصلحها؛
- افحص بحثاً عن أي أجزاء مفككة وارتبطها.

الصيانة والتخزين

- كن حريصاً أثناء ضبط الجهاز لمنع انحناس الأصابع بين الشفرات المتحركة والأجزاء الثابتة للجهاز.
- احرص على ربط جميع الصواميل والمسامير والبراغي بإحكام للتأكد من أن الجهاز في حالة عمل آمنة.
- افحص لاقط العشب بانتظام بحثاً عن أي علامات للتآكل أو التشوه.
- لسلامتك، استبدل الأجزاء المتآكلة أو التالفة.
- يجب ألا يقوم الأطفال بتنظيف الجهاز وصيانته دون الإشراف عليهم.
- عند إجراء أعمال الصيانة على الشفرات، كن حذراً لأن الشفرات قد تتحرك حتى لو كان مصدر الطاقة مفصولاً.
- بالنسبة للجرّازات الدوارة، تأكد من استخدام قطع غيار القطع من النوع المناسب.

السلامة الشخصية

- قد تحدث حوادث مأساوية إذا كان مُشغّل الآلة غير منتهبه لوجود أطفال. عادة ما يجذب الأطفال لجرّازات الحشائش وأعمال الجرّ. فهم غير مدركين للمخاطر. ولا تفترض أبداً أن الأطفال سيظلون واقفين في مكانهم دون حراك.
- احتفظ بالأطفال بعيداً عن منطقة الجرّ وتحت الرعاية اليقظة من شخص بالغ مسؤول غير مشغّل الآلة.
- ابق منتهباً وأطفئ الجرّازة في حال دخول طفل إلى منطقة العمل.
- كن حذراً للغاية عند الاقتراب من الأركان غير المرئية، أو المداخل، أو الشجيرات، أو الأشجار، أو أي أغراض أخرى قد تعوق رؤيتك لأي طفل قد يدخل في مسار الجرّازة.
- تجنب مراقبة الأطفال جيداً، وذلك لمنعهم من اللعب بالجرّازة.
- احرص دائماً على إطفاء الجرّازة عند خلع مجموعة البطارية من الآلة. قم بإيقاف الشفرة (الشفرات) إذا كان من اللازم إمالة الجهاز لنقله عند عبور أسطح ليس بها عشب، وعند نقل الجهاز من منطقة العمل وإليها.

التشغيل

التشغيل العام:

- اقرأ دليل التشغيل بأكمله بعناية قبل محاولة تجميع هذه الآلة. اقرأ جميع التعليمات المذكورة على الآلة وفي الدليل وافهمها واتبعها قبل التشغيل. اعتمد جيداً على أدوات التحكم والاستخدام الملائم لهذه الآلة قبل تشغيلها. احتفظ بهذا الدليل في مكان آمن للرجوع إليه بانتظام في المستقبل، ولطلب قطع الغيار.
- استخدم الجهاز المناسب – لا تستخدم جرّازة الحشائش في تنفيذ أي مهام غير تلك المعدة لها.
- لا تقف في مكان تُضطر لمد يديك بعيداً – قف وأنت ثابت ومتوازن في جميع الأوقات.

- قبل الاستخدام، احرص دائماً على فحص الآلة بعينيك للتأكد من عدم تآكل أو تلف الشفرات أو مسامير الشفرة أو تجميعها القاطع. استبدل الشفرات والمسامير المتآكلة أو التالفة بمجموعات كاملة للمحافظة على توازن الآلة. استبدل الملصقات التالفة أو التي لا يمكن قراءتها.

التشغيل

- لا تجرّ الحشائش سوى في ضوء النهار أو الضوء الصناعي الجيد.
- تجنب تشغيل الجهاز في الحشائش الرطبة، إن أمكن.
- تحقق دائماً من موضع أقدامك على المنحدرات.
- حيث ينبغي عليك المشي، ولا تجري أبداً.
- بالنسبة للجرّازات ذات العجلات الدوّارة، قم بالجرّ من جانب لآخر على سطح المنحدرات، وليس لأعلى ولأسفل.
- توخّ الحذر الشديد والحيطّة عند تغيير اتجاهاتك أثناء العمل في المنحدرات.
- لا تجرّ الحشائش فوق المنحدرات الشاهقة.
- توخّ الحذر الشديد عند عكس اتجاه عمل الجهاز أو سحبه تجاهك.
- قم بإيقاف الشفرة (الشفرات) إذا كان من اللازم إمالة الجهاز لنقله عند عبور أسطح ليس بها عشب، وعند نقل الجهاز من منطقة العمل وإليها.
- لا تقم أبداً بتشغيل الجهاز بينما الوقيات أو الدروع المركبة تالفة، أو بدون أجهزة سلامة، على سبيل المثال، أنبوب التوجيه المثني و/أو لاقط العشب.
- قم بتشغيل المحرك وفقاً للتعليمات، على أن تكون الأقدام بعيدة للغاية عن الشفرة (الشفرات).
- لا تقم بإمالة الجهاز عند تشغيل المحرك، إلا إذا كان من اللازم إمالة الجهاز لبدء تشغيله. في هذه الحالة، لا تقم بإمالاته أكثر من الضروري وارفح فقط الجزء البعيد عن المستخدم. احرص دائماً على أن تكون كلتا يديك في وضع التشغيل قبل إعادة وضع الجهاز على الأرض. ل لا تبدأ تشغيل الآلة وأنت واقف في مواجهة فتحة أنبوب التفريغ.
- لا تضع اليدين أو القدمين بالقرب من الأجزاء المتحركة أو أسفلها. بالنسبة للجرّازات الدوّارة، حافظ دائماً على نظافة فتحة أنبوب التفريغ.
- لا تقم أبداً بالتقاط أو إمساك جهاز والمحرك يعمل.
- اطفئ الجهاز وافصل مجموعة البطارية القابلة للخلع (أو جهاز التعطيل)، وتأكد من التوقف التام لجميع الأجزاء المتحركة قبل إجراء أعمال الصيانة أو التنظيف:
- في أي وقت تترك فيه الآلة؛
- قبل تنظيف أي انسداد، أو إزالة العوائل من أنبوب التفريغ؛
- قبل فحص الجهاز أو تنظيفه أو العمل داخل أي جزء من أجزائه؛
- عقب الاصطدام بجسم بحثاً عن أي أضرار للتلف، وقم بعمل الإصلاحات الضرورية.

الصيانة

- ينبغي إجراء الصيانة على الآلة بواسطة فني إصلاح متخصص باستخدام قطع غيار أصلية مطابقة فقط. فهذا سيضمن المحافظة على سلامة الآلة.
- لا تقم بصيانة مجموعات البطارية التالفة بأي حال من الأحوال. بل ينبغي أن تكون صيانة مجموعات البطارية من خلال الشركة الصانعة أو مقدمي الخدمة المعتمدين فقط.

قواعد السلامة الخاصة بجزّارة الحشائش اللاسلكية

⚠ خطر: تم تصنيع هذه الآلة لتشغيلها وفقاً لقواعد التشغيل الآمن الموضحة في هذا الدليل. وكما هو الحال مع أي نوع من الآلات العاملة بالطاقة، الاستهتار أو ارتكاب الأخطاء من قبل مشغل الآلة قد يؤدي إلى حدوث إصابات خطيرة. هذه الآلة قادرة على جرح الأيدي والأقدام، كما أن هناك أشياء تتناثر منها أثناء عملها. عدم اتباع جميع تعليمات السلامة قد يؤدي إلى الإصابة بجروح خطيرة أو الوفاة.

⚠ تحذير: عند استعمال جزّارات الحشائش اللاسلكية، لا بد من اتباع الاحتياطات الوقائية الأساسية لتجنب التعرض لخطر الحرق أو الصدمة الكهربائية أو الإصابة الشخصية.

هام

اقرأ التعليمات بعناية قبل الاستخدام. احتفظ بالمعلومات للرجوع إليها كدليل مرجعي في المستقبل.

قواعد السلامة الخاصة بجزّارات الحشائش اللاسلكية:

تنبيه: لا تلمس الشفرة الدوارة!

التدريب

- اقرأ التعليمات بعناية. اعتد على أدوات التحكم والاستخدام الملائم للجهاز.
- لا تسمح أبداً للأشخاص غير المطلعين على هذه التعليمات أو الأطفال باستخدام الآلة. قد تُحدد بعض اللوائح المحلية سناً معيناً لمشغلي الأداة.
- لا تقم أبداً بجز الحشائش أثناء تواجد أي أشخاص، خصوصاً الأطفال أو الحيوانات الأليفة، في الجوار.
- المشغلّ أو المستخدم هو المسؤول عن وقوع أي حوادث أو مخاطر يتعرض لها أشخاص آخرون أو تتعرض لها ممتلكاتهم.

التحضير

- أثناء الجزّ، احرص دائماً على ارتداء أحذية قوية وبنطال طويل.
- لا تقم بتشغيل الجهاز وأنت حافي القدمين أو ترتدي صندلاً مفتوحاً. تجنب ارتداء الملابس الفضفاضة أو بها قيطان أو أربطة متدلية.
- افحص بعناية المنطقة التي سيتم استخدام الجهاز فيها وتخلص من جميع الحصى والعصي والأسلاك والعظام والأشياء الغريبة الأخرى.

- حافظ على الآلات العاملة بالطاقة والملحقات. تحقق من عدم محاذاة الأجزاء المتحركة أو ربطها، أو وجود كسور في الأجزاء، أو أي حالة أخرى قد تؤثر على عمل الآلة. إذا كان هناك تلف، فقم بإصلاح الآلة العاملة بالطاقة قبل استخدامها. فالعديد من الحوادث يكون سببها الآلات التي لم تتم صيانتها.
- احتفظ بالأدوات القاطعة حادة ونظيفة. الأدوات القاطعة التي تتم صيانتها كما ينبغي للاحتفاظ بحوافها القاطعة حادة تكون أقل عرضة للانحناء وسهل التحكم فيها.
- استخدم الآلة والملحقات واللقم وما شابههم وفقاً لهذه التعليمات، مع الأخذ في الاعتبار بظروف العمل والأعمال التي سيتم تنفيذها. قد يؤدي استخدام الآلة في أعمال غير تلك المخصصة لها إلى حوادث خطيرة.
- احتفظ بالمقابض وأسطح الإمساك جافة ونظيفة وخالية من الزيوت والشحوم. لأن المقابض وأسطح الإمساك المنزلقة لا تمنحك القدرة على التعامل والتحكم الآمنين في الآلة في المواقف غير المتوقعة.

استخدام البطارية والعناية بها

- لا تُعد شحن الآلة إلا باستخدام الشاحن المحدد بواسطة الشركة الصانعة. فالشاحن الملائم لنوع من مجموعات البطارية قد يتسبب في نشوب حريق إذا تم استخدامه مع مجموعة بطارية أخرى.
- استخدم الآلات العاملة بالطاقة مع مجموعات البطاريات المخصصة لها فقط. لأن استخدام أي مجموعات بطارية أخرى قد يؤدي إلى التعرض لإصابات أو نشوب حريق.
- عند عدم استخدام مجموعة البطارية، احتفظ بها بعيداً عن الأغراض المعدنية الأخرى مثل مشابك الأوراق أو العملات المعدنية أو المفاتيح أو المسامير أو البراغي أو الأغراض المعدنية الصغيرة الأخرى التي قد تتسبب في عمل دائرة قصر (قفل للدائرة) بين أقطاب البطارية. عمل دائرة قصر (قفل الدائرة) بين أطراف البطارية قد يتسبب في حروق أو نشوب حريق.
- في حالات التعامل السيء، قد يحدث ارتشاح للسوائل من البطارية؛ لا تلامسه. إذا حدثت ملامسة بشكل عرضي، فاغسلها بالماء. إذا لامس السائل العينين، فاطلب المساعدة الطبية على الفور. السائل المرتشح من البطارية قد يتسبب في حدوث احتياج في الجلد أو حروق.
- لا تستخدم مجموعة البطارية أو الآلة إذا كانا تالفين أو تم إدخال تعديلات عليهما. لأن البطاريات التالفة أو التي تم تعديلها قد تعمل بشكل غير متوقع، وهو ما قد يؤدي لنشوب حريق أو حدوث انفجار أو خطر التعرض لإصابة.
- لا تقم بتعرض مجموعة البطارية أو الآلة للحرق أو درجات الحرارة الزائدة. التعرض لدرجات الحرارة الأعلى من 130 درجة مئوية قد يؤدي لحدوث انفجار.
- اتبع تعليمات الشحن ولا تشحن مجموعة البطارية أو الآلة في نطاق درجة حرارة خارج النطاق المحدد في التعليمات. قد يؤدي الشحن غير المضبوط أو في درجات حرارة خارج النطاق المسموح به إلى تلف البطارية وخطر نشوب حريق.

تحذيرات السلامة العامة المتعلقة بالآلة العاملة بالطاقة

⚠ تحذير: اقرأ جميع تحذيرات السلامة والتعليمات والرسوم التوضيحية والمواصفات المرفقة مع هذه الآلة. عدم اتباع جميع التعليمات الواردة أدناه قد يؤدي إلى حدوث صدمة كهربائية أو نشوب حريق أو التعرض للإصابة، أحدها أو جميعها.

احتفظ بجميع التحذيرات والتعليمات للرجوع إليها في المستقبل.

يشير مصطلح "آلة عاملة بالطاقة" في التحذيرات إلى الآلة العاملة بالطاقة (الموصولة بسلك تيار) أو الآلة العاملة بالبطارية (غير الموصولة بسلك تيار).

سلامة منطقة العمل

- احتفظ على منطقة العمل نظيفة ومضاءة جيدًا. حيث عادة ما تتسبب المناطق المظلمة أو التي بها ركام إلى وقوع حوادث.
- لا تقم بتشغيل الآلات العاملة بالطاقة في أجواء قابلة للانفجار، على سبيل المثال في وجود سوائل أو غازات أو غبار قابلة للاشتعال. فقد تتسبب الآلات العاملة بالطاقة في صدور شرارة، والتي قد تتسبب في اشتعال الغبار أو الأبخرة القابلة للاشتعال.
- احتفظ بالأطفال والمشاهدين بعيدًا عن موقع استعمال الآلة العاملة بالطاقة. حيث أن الإلهاءات قد تجعلك تفقد السيطرة على الآلة.

السلامة الكهربائية

- ينبغي أن يتوافق قابس الآلة العاملة بالطاقة مع مقيس التيار. لا يجب إدخال تعديلات على القابس بأي حال من الأحوال. لا تستخدم أي قوابس مهيأة مع الآلات العاملة بالطاقة المؤرضة. ستؤدي القوابس غير المعتلة والمقابس المتوافقة إلى الحد من خطر حدوث صدمة كهربائية.
- تجنب ملامسة الجسم لأسطح مؤرضة مثل الأنابيب والمشعاع والمواقد والثلاجات. هناك خطر متزايد لحدوث صدمة كهربائية إذا كان جسمك مؤرضًا.
- لا تقم بتعريض الآلات العاملة بالطاقة للمطر أو الأجواء الرطبة. حيث سيؤدي الماء الذي يدخل إلى الآلة العاملة بالطاقة إلى زيادة خطر حدوث صدمة كهربائية.
- لا تعبت بسلك التيار. لا تقم أبدًا باستخدام سلك التيار لحمل الآلة العاملة بالطاقة أو سحبها أو فصلها عن التيار. احتفظ بالسلك بعيدًا عن مصادر الحرارة أو الزيت أو الحواف الحادة أو الأجزاء المتحركة. تؤدي أسلاك التيار التالفة أو المتشابكة إلى زيادة خطر حدوث صدمة كهربائية.
- عند تشغيل آلة عاملة بالطاقة في مكان خارجي مفتوح، استخدم سلك تمديد ملائم للاستخدام الخارجي. استخدم سلك ملائم للاستخدام الخارجي يحد من خطر حدوث صدمة كهربائية.
- إذا كان لا بد من تشغيل الآلة في مكان رطب، فاستخدم مصدر تيار محمي بقاطع تيار متبقي (RCD). يؤدي استخدام قاطع التيار المتبقي إلى الحد من خطر حدوث صدمة كهربائية.

السلامة الشخصية

- ابق منتبهًا، وانتبه جيدًا لما تفعله، وكن عقلانيًا عند تشغيل آلة تعمل بالطاقة. لا تستخدم أداة آلة بالطاقة وأنت مجهد أو تحت تأثير المخدرات أو الكحوليات أو الأدوية. قد تؤدي لحظة من عدم الانتباه أثناء تشغيل الآلات العاملة بالطاقة إلى حدوث إصابات شخصية خطيرة.
- استعن بمعدات الحماية الشخصية. وارتن دائمًا أدوات حماية للعينين. سيؤدي استخدام أدوات الحماية ككفاح الغبار أو أذوية السلامة المضادة للانزلاق أو القبعات الصلبة أو أدوات حماية السمع في ظروف مناسبة إلى الحماية من الإصابات الشخصية.
- امنع بدء تشغيل الآلة غير المتعمد. احرص على أن يكون مفتاح الطاقة في وضع الإيقاف قبل توصيل الآلة بمصدر التيار أو مجموعة البطاريات، أو التقاط الآلة أو حملها. قد يؤدي حمل الآلات العاملة بالطاقة ومفتاح التشغيل في وضع التشغيل إلى وقوع حوادث.
- أزل أي مفتاح تعديل أو مفتاح ربط قبل تشغيل الآلة العاملة بالطاقة. قد يؤدي ترك مفتاح ربط أو مفتاح عادي مركبًا على جزء دوار بالآلة العاملة بالطاقة إلى وقوع إصابات شخصية.
- لا تقف في مكان تضطّر لمد يديك بعيدًا. قف وأنت ثابت ومتوازن في جميع الأوقات. وهو ما يسمح بتحكم أفضل في الآلة العاملة بالطاقة في الظروف غير المتوقعة.
- ارتد الملابس الملائمة. لا ترتد ملابس أو مجوهرات غير ثابتة. احتفظ بشعرك وملابسك بعيدًا عن الأجزاء المتحركة. قد تعلق الملابس الفضفاضة أو المجوهرات أو الشعر الطويل في الأجزاء المتحركة.
- إذا تم تقديم أجهزة خاصة بتوصيل أدوات استخراج وجمع الغبار، فاحرص على توصيلها واستخدامها على النحو اللازم. قد يؤدي استخدام جمع الغبار إلى الحد من المخاطر المرتبطة به.
- لا تدع الخبرة المكتسبة من الاستخدام المتكرر للآلات يجعلك تتعامل دون الانتباه اللازم وتتجاهل مبادئ السلامة المتعلقة بالآلة. فقد يتسبب أي إجراء غير مدروس في إصابات خطيرة في جزء من الثانية.
- استخدم الآلة العاملة بالطاقة والعناية بها
- لا تجبر الآلة العاملة بالطاقة على أعمال تفوق قدرتها. استخدم الآلة العاملة بالطاقة الملائمة لأعمالك. ستقوم الآلة العاملة بالطاقة الملائمة بأداء أعمالك بشكل أفضل وأكثر أمانًا بالمعدل الذي أعدت له.
- لا تستخدم الآلة العاملة بالطاقة إذا كان مفتاح التشغيل لا يمكن نقله إلى وضع التشغيل أو وضع الإيقاف. أي آلة عاملة بالطاقة لا يمكن التحكم فيها بمفتاح التشغيل تعتبر خطيرة وينبغي إصلاحها.
- افصل القابس من مصدر التيار و/أو اخلع مجموعة البطاريات -إذا كانت قابلة للخلع- من الآلة العاملة بالطاقة قبل إجراء أي تعديلات أو تغيير ملحقات أو تخزين الآلات العاملة بالطاقة. إجراءات السلامة الوقائية هذه تحد من خطر تشغيل الآلة العاملة بالطاقة بشكل خاطئ.
- حَرِّن الآلات العاملة بالطاقة غير المستخدمة بعيدًا عن متناول أيدي الأطفال ولا تسمح للأشخاص غير المعتادين على استخدام الآلات العاملة بالطاقة أو على هذه التعليمات بتشغيل الآلة. الآلات العاملة بالطاقة تكون خطيرة في أيدي الأشخاص غير المدربين.

اقرأ جميع التعليمات!

احتياطات تتعلق بسلامتك.	تنبيه سلامة	
لحد من خطر الإصابة، يجب على المستخدم قراءة وفهم دليل التشغيل قبل استخدام هذا المنتج.	اقرأ دليل التشغيل	
تستمر الشفرات في الدوران عقب إيقاف المحرك - اخلع جهاز التعطيل قبل الصيانة. أطفئ الآلة واخلع مجموعة البطارية القابلة للتعطيل (أو جهاز التعطيل) قبل إجراء عمليات التعديل أو التنظيف.	ابق المرافقين بعيدًا عن نطاق عمل الآلة	
احرص على بقاء الأشخاص الآخرين عن 30 متر بعيدًا عن الجزارة أثناء استخدامها.	ابق القدمين واليدين بعيدًا عن نطاق عمل الآلة	
أبق القدمين واليدين بعيدًا عن نطاق عمل الآلة	حاذر من الشفرات الحادة	
هذا المنتج متوافق مع توجيهات شهادة الجودة الأوروبية (CE) المعمول بها.	شهادة الجودة الأوروبية CE	
هذا المنتج متوافق مع تشريعات المملكة المتحدة المعمول بها.	تقييم المطابقة UKCA	
لا يجب التخلص من الأجهزة الكهربائية المستهلكة في النفايات المنزلية. توجه بالجهاز إلى مركز إعادة تدوير معتمد.	نفايات المعدات الكهربائية والإلكترونية (WEEE)	
مستوى قوة الصوت المضمون. انبعثات الضوضاء في البيئة وفقًا لتوجيه الاتحاد الأوروبي.	الضوضاء	
الحماية ضد دخول الماء، من الدرجة 4	رمز حماية المداخل IP	
الجهد الكهربائي	فولت	V
التيار	أمبير	A
التردد (نورات في الثانية)	هرتز	Hz
الطاقة	واط	W
الوقت	دقائق	min
نوع التيار	تيار متردد	~
النوع أو خصائص التيار	تيار مستمر	—
سرعة الدوران، بدون حمل	السرعة بدون حمل	n ₀
لقة في الدقيقة	في الدقيقة	... /min



اقرأ دليل التشغيل

تحذير: لضمان السلامة والاعتمادية، يجب تنفيذ جميع أعمال الإصلاح واستبدال الأجزاء من قبل فني خدمة مؤهل.

الغرض المحدد للاستخدام وسوء الاستخدام المتوقع: المنتج معد لجز الحشائش في الحدائق المنزلية فقط. ويجب ألا يتم استخدامه في جز الحشائش العالية أو الجافة أو الرطبة بشكل غير طبيعي، على سبيل المثال شتوب رعي الماشية، أو أوراق الشجر الممزقة. يجب استخدام المنتج للغرض المحدد له فقط. أي استخدام آخر يعد حالة من حالات سوء الاستخدام.

رموز السلامة

الغرض من رموز السلامة هو جذب انتباهك إلى المخاطر المحتملة. رموز السلامة والشروح المصاحبة لها تستحق اهتمامك وفهمك الدقيق. تحذيرات كل رمز، بنفسها، لا تمنع وقوع أي خطر. التعليمات والتحذيرات التي تمنحك إياها لا تعد بديلاً عن تطبيق الإجراءات الملائمة لمنع وقوع الحوادث.

تحذير: احرص على قراءة وفهم جميع تعليمات السلامة في دليل التشغيل هذا، بما في ذلك جميع رموز تنبيهات السلامة، مثل "خطر"، و"تحذير" و"تنبيه" قبل استخدام هذه الآلة. عدم اتباع جميع التعليمات الواردة أدناه قد يؤدي إلى حدوث صدمة كهربائية أو نشوب حريق أو التعرض للإصابة الشخصية، أحدها أو جميعها.

معنى الرمز

رمز تنبيه السلامة: يشير إلى خطر أو تحذير، أو تنبيه، وقد يتم استخدامه بشكل متزامن مع الرموز أو الصور الكتابية الأخرى.

تحذير: قد يؤدي تشغيل أي آلة عاملة بالطاقة إلى دخول أي أشياء غريبة في عينيك، وهو ما قد يؤدي إلى إلحاق أضرار خطيرة بالعين. قبل بدء تشغيل الآلة العاملة بالطاقة، احرص دائماً على ارتداء واقيات العينين أو نظارات حماية العينين ذات دروع جانبية، ودرع واقي لكامل الوجه عند اللزوم. نوصي بارتداء قناع السلامة واسع الرؤية لاستخدامه فوق نظارات العين أو نظارات السلامة العادية ذات الدروع الجانبية.

تعليمات السلامة

هذه الصفحة تصف وتشرح رموز السلامة التي قد تظهر على هذا المنتج. اقرأ جميع التعليمات المذكورة على الآلة وافهمها واتبعها قبل محاولة تشغيل الآلة وتشغيلها.

בעיה	סיבה	פתרון
המכסחה איננה מכסה באופן ראוי	<ul style="list-style-type: none"> ישנה הצטברות של חתיכות דשא רטוב בחלק התחתון של המשטח. המכסחה הוגדרה לחתוך כמות גדולה מדי של דשא בבת אחת. 	<ul style="list-style-type: none"> חכו עד אשר הדשא מתייבש לפני הכיסוח. הרימו את המשטח להגדרת גובה חיתוך גבוה יותר.
ישנו יתר רטט	<ul style="list-style-type: none"> להב החיתוך משוחרר. להב החיתוך איננו מאוזן. להב החיתוך עקום. פיר המנוע עקום. 	<ul style="list-style-type: none"> הדקו את בריח הלהב. אזנו את הלהב בהתאם להוראות. החליפו את הלהב. תרו קשר עם מרכז השירות.
לא ניתן לנעול את מלחצי הנעילה לעמדתם.	<ul style="list-style-type: none"> המסילות הצדדיות אינן מורחבות לגמרי. 	<ul style="list-style-type: none"> הרחיבו לגמרי את המסילות הצדדיות ולאחר מכן נעלו מחדש את המלחציים.

אחריות

מדיניות האחריות של EGO

אנא בקרו באתר egopowerplus.com עבור התנאים וההתניות השלמים של מדיניות האחריות של EGO.

איתור וטיפול בבעיות

⚠ אזהרה: תמיד הסירו תמיד את מארז הסוללה בעת ביצוע תיקונים או הובלה של המכסחה. הגנו תמיד על הידיים שלכם על ידי לבישת כפפות מוצקות או עטיפה של הקצוות החותכים בעזרת מטליות או חומרים אחרים בעת ביצוע כל פעולת תחזוקה בלהב המכסחה.

בעיה	סיבה	פתרון
לא ניתן להפעיל את המכסחה	<ul style="list-style-type: none"> קיבולת מארז הסוללה ריקה מארז הסוללה לא נמצא במקומו בתא הסוללה. מעגלי הסוללה או המכסחה חמים מדי. (אינדיקטור המתח של המכסחה יאיר באור כתום למשך 10 שניות) המסילות הצדדיות לא הורחבו לאורך המקסימלי שלהן והמלחציים אינם נעולים בעמדתם. הידיית איננה מכוונת אל אחת משלוש עמדות הפעלה. ישנה הצטברות של דשא ואשפה על משטח המכסחה. 	<ul style="list-style-type: none"> הטעינו את מארז הסוללה. הצמידו את מארז הסוללה אל המכסחה; לחצו עד אשר יישמע "קליק" אפשרו למארז הסוללה או למכסחה להתקרר עד לטמפרטורה של פחות מ-67°C. הרחיבו את הידיית לגמרי ונעלו את שני המלחציים. כווננו את הידיית אל אחת משלוש עמדות הפעלה. נקו את משטח המכסחה, וודאו שללהב ישנו חופש תזוזה.
המכסחה איננה מכסחת באופן אחיד	<ul style="list-style-type: none"> הלהב איננו חד. גובה החיתוך לא נקבע כהלכה. הלהב לא הורכב כהלכה. 	<ul style="list-style-type: none"> חדדו או החליפו את הלהב. הרימו את המשטח להגדרת גובה חיתוך גבוה יותר. הרכיבו מחדש את הלהב, כאשר אתם עוקבים אחר חלק "התקנת הלהב" במדריך זה.
המכסחה עוצרת את פעולתה בעת הכיסוח	<ul style="list-style-type: none"> קיבולת מארז הסוללה ריקה המכסחה נמצאת בתנאי עומס יתר. ישנה הצטברות של דשא ואשפה על משטח המכסחה. מעגלי הסוללה או המכסחה חמים מדי. (אינדיקטור המתח של המכסחה יאיר באור כתום למשך 10 שניות) המסילה הצדדית נסוגה מעט בעזרת כוח הדחיה על גבי הידיית. 	<ul style="list-style-type: none"> הטעינו את מארז הסוללה. הגביהו את גובה החיתוך או כסחו לאט יותר. הסירו הצטברויות ממשטח המכסחה. הגביהו את גובה החיתוך או כסחו ברצועה צרה יותר. אפשרו למארז הסוללה או למכסחה להתקרר עד לטמפרטורה של פחות מ-67°C. פיתחו את המלחציים. הרחיבו לגמרי את המסילות הצדדיות ונעלו מחדש את המלחציים.

החורים המיושרים.

על מנת להתקין את הלהב

בהתאם לרצף ההרכבה בתמונה V, עם להב המאוורר כלפי המשטח והחלק המודפס של הלהב כלפי חוץ, יישרו את חורי המאוורר עם חורי הלהב (תמונה X) ולאחר מכן הדקו את הלהב כפי שניתן לראות בתמונה X.

ראו למטה תיאור חלקים בתמונות V ו-W:

V-1	מאוורר	V-5	בריח
V-2	גליל פנימי	W-1	מיצב 1
V-3	להב	W-2	מיצב 2
V-4	גליל חיצוני	W-3	מפתח ברגים 14 מ"מ

הודעה: מומנט הפיתול להידוק בורג הלהב הוא 49-59 ננומטר.

אחסון המכסחה

- הסירו את מארז הסוללה מן המכסחה ואחסנו במקום קריר, יבש ונקי. אל תאחסנו ליד חומרים הגורמים לקורוזיה, כגון חומרי דשן או גבישי מלח.
- אחסנו את המכסחה במקום סגור, מכוסה, מקום קריר ויבש והרחק מהישג ידם של ילדים.
- אל תכסו את המכסחה עם כיסוי פלסטיק מוצק. כיסויי פלסטיק שומרים על לחות מסביב למכסחה, הדבר

גורם לחלודה ולקורוזיה.

- ניתן לאחסן את המכסחה אנכית או שטוחה (תמונה Z).

⚠ אזהרה: אם המכסחה מתחילה ליפול מן העמדה האנכית שלה, הדבר עלול לגרום לנזק למכסחה או לפגיעה אישית. שימרו תמיד על יציבות המכסחה והרחק מהישג ידם של ילדים כאשר היא בעמדה אנכית. אם אפשר, אחסנו במצב שטוח.

לשמור על הסביבה

אל תזרקו ציוד חשמלי, מטען הסוללה וסוללות/סוללות ניתנות לטעינה ביחד עם אשפה ביתית!



בהתאם לחוק האירופי 2012/19/EU, ציוד חשמלי ואלקטרוני אשר איננו נמצא יותר בשימוש, ובהתאם לחוק האירופי 2006/66/EC, ציוד חשמלי ואלקטרוני ניזוק, ייאספו באופן נפרד.

אם ציוד חשמלי נזרק ביחד עם אשפה ביתית או במזבלה, חומרים מסוכנים עלולים לנזול אל האדמה ולהפוך לחלק משרשרת המזון. דבר העלול לגרום לנזק לבריאות והרווחה שלכם.

ישנו עומס יתר של המכסחה, המנוע ייעצר ואינדיקטור המתח של המכסחה יהבהב בצבע הכתום. הסירו את מארז הסוללה מן המכסחה. בדקו לראות אם ישנה הצטברות של דשא מתחת למשטח ונקו הצטברות זאת אם יש צורך בכך, לאחר מכן התקינו מחדש את מארז הסוללה והפעילו שוב את המכסחה.

הגנה על הסוללה מפני טמפרטורה גבוהה

מארז הסוללה ייצר חום בעת ההפעלה. החום יתפזר לאט יותר כאשר מזג האוויר חם יותר. אם טמפרטורת הסוללה עולה מעל 70°C בעת ההפעלה, מעגל ההגנה יכבה מיד את המכסחה על מנת להגן על מארז הסוללה מפני זדקים. אינדיקטור הולד על גבי המכסחה יהיה בצבע כתום והולד על גבי הסוללה יהבהב בצבע כתום. שחררו את מתג הדלי, חכו עד אשר מארז הסוללה מתקרר לטמפרטורה של בערך 67°C ולאחר מכן הפעילו מחדש את המכסחה.

תחזוקה

⚠ אזהרה: על מנת למנוע פציעות אישיות, הסירו תמיד את מפתח הבטיחות ואת מארז הסוללה מן המכסחה לפני הניקיון או ביצוע כל עבודת תחזוקה.

⚠ אזהרה: במקרה של עבודות תיקון, השתמשו רק בחלקי חילוף זהים. שימוש בחלקי חילוף אחרים עלול לגרום לסכנה או נזק למוצר. על מנת להבטיח בטיחות ואמינות, יש לבצע את כל התיקונים וההחלפות בעזרת טכנאי שירות מוסמך.

ניקיון המכסחה

⚠ אזהרה: תמיד הסירו תמיד את מארז הסוללה בעת ביצוע תיקונים או הובלה של המכסחה.

יש לנקות את החלק התחתון של משטח המכסחה לאחר כל שימוש, בגלל שחלקי דשא, עלים, לכלוך וחלקי אשפה אחרים יצטברו. הצטברות זו איננה רצויה בגלל שהיא תיצור חלודה וקורוזיה על גבי חלקי המתכת והיא תפחית את יעילות החיתוך של המכסחה.

הסירו כל הצטברות דשא ועלים מעל או מסביב לפיר ההנעה (LM2020E-SP) ומאוורר המנוע (אל תעשו שימוש במים). נקו את המכסחה בעזרת מטלית לחה.

הסרה/התקנה של הלהב

⚠ אזהרה: הגנו תמיד על הידיים שלכם על ידי לבישת כפפות מוצקות או עטיפה של הקצוות החותכים בעזרת מטליות או חומרים אחרים בעת ביצוע כל פעולת תחזוקה בלהב המכסחה.

• על מנת להסיר את הלהב (תמונה W)

הודעה: אם הבורג מסתובב עם פיר המנוע בעת שחרור הבורג, סובבו את המאוורר ידנית על מנת ליישר את חורי המאוורר עם חורי הלהב ומקמו מוט מתכת אחר אל

1. הפעילו את המכסחה.
2. כאשר אתם מחזיקים את מתג הדלי נגד הידית בעזרת יד שמאל, משכו את הדק ההנעה העצמית אל הידית בעזרת יד ימין שלכם.
3. החזיקו גם את מתג הדלי וגם את הדק ההנעה העצמית בו זמנית נגד הידית בעזרת יד ימין שלכם והשתמשו ביד שמאל שלכם על מנת לכוונן את דוושית כיוונון מהירות ההנעה העצמית על מנת לבחור במהירות הרצויה.

⚠ אזהרה: על מנת להפחית את הסיכון לפציעה, אל תנסו לבטל את פעולת המתג או פעולת מערכת ההנעה העצמית. השתמשו בהנעה העצמית עבור השימוש המיועד לה בלבד.

פנסי לד (תמונה A-13)

לחצו על מתג 1s (תמונה C-22) על מנת להפעיל/ לכבות את פנסי הולד בחלק הקדמי של תא הסוללה.

אינדיקטור המתח על המכסחה (תמונה U)

מכסחה מצוידת באינדיקטור מתח על מנת להראות את מצב הטעינה של מארז הסוללה ואת מצב הפעולה של המכסחה. אינדיקטור המתח יאיר כאשר הלהב מסתובב או כאשר פנסי הולד דלוקים.

אינדיקטור מתח על המכסחה	פירוש	פעולה
אור ירוק	המכסחה עובדת כראוי; קיבולת הסוללה היא לפחות 15%	ללא
אור אדום	קיבולת סוללה נמוכה	כבו את המכסחה והטעינו את מארז הסוללה
אור אדום מהבהב	קיבולת הסוללה כבו את המכסחה והטעינו את מארז הסוללה	
אור כתום	ישנו חימום יתר במכסחה או במארז הסוללה	הסירו את הסוללה מן המכסחה, הזיזו אותן אל מקום מוצל וקריר לתקופה של לפחות 15 דקות
אור כתום מהבהב	ישנו עומס יתר במכסחה	צעדו לאט יותר או הרימו את גובה החיתוך על מנת להפחית את העומס

הגנה על המכסחה מפני עומס יתר

על מנת למנוע תנאי עומס יתר, אל מנסו להסיר כמות גדולה של דשא בבת אחת. הפחיתו את קצב הכיסוח שלכם או הגבירו את גודל החיתוך. למכסחה ישנו מעגל הגנה מובנה מפני עומס יתר. כאשר

M-3	חריץ הרכבה
M-4	אשד לפריקה צדדית
M-5	סיבוב

על מנת למנוע הפעלה לא מתוכננת או שימוש לא מורשה של המכסחה האלחוטית שלכם, ישנו מפתח בטיחות מובנה בעיצוב המכסחה שלכם. לא ניתן יהיה להשתמש כלל במכסחה כאשר מפתח הבטיחות מוסר ממנה.

⚠ סכנה: להבים מסתובבים עלולים לגרום לפציעות חמורות. על מנת למנוע פציעות חמורות, הסירו את מפתח הבטיחות כאשר אינכם משגיחים על המכסחה או בעת עבודות כיוונון, ניקיון, תיקון, תחזוקה, הובלה, הרמה או בעת אחסון המכסחה.

הודעה: לא ניתן יהיה להפעיל את המנוע אלא אם כן:

- הידיית נעולה אל אחת משלוש עמדות הפעלה, ראו את חלק „כיוונון הידיית הכפופה”.
- המסילות הצדדיות מורחבות לגמרי (תמונה P).
- שני מלחצי נעילת הידיית הירוקים סגורים לגמרי (תמונה Q).

Q-1	קו אינדיקציה
-----	--------------

⚠ זהירות: אל תנסו לבטל את פעולת כפתור הבטיחות ומתג הדלי.

על מנת להפעיל

- הצמידו את מארז הסוללה אל המכסחה, הכניסו את מפתח הבטיחות אל חריץ המפתח וסגרו את מכסה הסוללה (תמונה O).
- בהתאם לתמונה R, לחצו על כפתור הבטיחות כלפי מטה.
- עם כפתור הבטיחות לחוץ, משכו את מתג הדלי כלפי מעלה על מנת לגעת בידיית ושחררו את כפתור הבטיחות (תמונה S).

על מנת לכבות

- שחררו לגמרי את מתג הדלי.
- המעצור החשמלי במנגנון העצירה האוטומטית יעצור את סיבוב הלהב בתוך 3 שניות משחרור מתג הדלי.

מערכת הנעה עצמית בעלת מהירויות שונות

(LM2020E-SP רק עבור דגם)

מכסחת LM2020E-SP מצוידת ביכולת הנעה עצמית בעלת מהירויות שונות. מערכת זו איננה קשורה אל מתג ההפעלה-כיבוי של הלהב. היא איננה מסתמכת על סיבוב הלהבים.

על מנת להפעיל את המערכת ללא סיבוב הלהבים, משכו את הדק ההנעה העצמית אל הידית.

על מנת לכבות את ההנעה העצמית, שחררו את הדק ההנעה העצמית.

למערכת ישנה מהירות משתנה. על מנת להגביר את המהירות, הזיזו את דוושת כיוונון המהירות ההנעה העצמית לפנים. על מנת להפחית את המהירות, הזיזו את דוושת כיוונון המהירות ההנעה העצמית לאחור (תמונה T).

על מנת להפעיל עם סיבוב הלהבים לחיתוך

הודעה: יש להכניס את תוספת הכיסוי כאשר האשד לפריקה הצדדית מוצמד.

כיוונון גובה החיתוך (תמונה N)

⚠ אזהרה: שימרו על רגליכם הרחק מן המשטח בעת כיוו גובהו. ניתן לכונן את המכסחה ל-6 גבהי חיתוך בין 25 מ"מ ל-95 מ"מ. בחרו את גובה החיתוך המתאים בהתאם לסוגי הדשא ותנאיו.

הודעה: בעת הזזת המכשיר, וודאו שגובה החיתוך מכונן אל עמדה 3 או עמדה גבוהה יותר. אם לא תעשו זאת, הדבר עלול לגרום לנזק ללהב.

הצמדה/הסרה של מארז הסוללה (תמונה O)

A השתמשו רק עם מארזי הסוללה והמטענים הרשומים באיור

הטעינו לפני השימוש הראשון.

⚠ אזהרה: אם ישנם חלקים חסרים או פגומים, אל תנסו להצמיד את מארז הסוללה אל המכסחה או להפעיל אותה עד אשר החלקים החסרים או הפגומים יוחלפו. אם לא תעשו זאת הדבר עלול לגרום לפציעה חמורה.

על מנת להצמיד

דחפו את מארז הסוללה אל תא הסוללה עד אשר יישמע „קליק”.

על מנת להסיר

לחצו על כפתור שחרור הסוללה בתא הסוללה. ראו למטה תיאור חלקים בתמונה O:

O-1	חריץ מפתח בטיחות
O-2	מפתח בטיחות
O-3	כפתור שחרור סוללה

הודעה: וודאו שברייח המכסחה נכנס למקומו ושמארז הסוללה מחובה כהלכה אל המכסחה לפני התחלת ההפעלה.

הפעלה/כיבוי של המכסחה

⚠ אזהרה: הפעלה של כל מכסחת דשא עלולה לגרום לעצמים זרים להיזרק אל תוך העיניים, דבר העלול לגרום לנזק חמור לעיניים. ענדו תמיד משקפי מגן בעת הפעלה מכסחת הדשא או בעת ביצוע כל כיוונון או תיקון בה.

⚠ אזהרה: וודאו שאנשים אחרים וחיות מחמד נמצאים במרחק של לפחות 30 מ' ממכסחת הדשא בעת השימוש בה.

⚠ אזהרה: הלהב ימשיך להסתובב לכמה שניות לאחר כיבוי המכסחה. אפשרו למנוע/להב להגיע לעצירה מלאה לפני הפעלתם מחדש. אל תפעילו ותכבו את המכסחה במהירות.

מפתח בטיחות

HE

443

(עמדת הפעלה עליונה, עמדת הפעלה אמצעית ועמדת הפעלה תחתונה).

מכסחת הדשא שלכם נשלחה עם הידית בעמדה האחסון הקומפקטית, הנעולה (תמונה I).

1) משכו החוצה את שני גלגלי הכיוון המהיר וסובבו ל-90° על מנת לשחרר את הידית מעמדת האחסון הנעולה.

2) הרימו את הידית מן העמדה הכפופה ולאחר מכן שחררו את הדוושה. סובבו העדינות את הידית כלפי מעלה עד אשר תשמעו ותרגישו את מוט הנעילה נכנס אל אחת מן העמדות השונות הבאות כמתואר בתמונה J.

ראו למטה תיאור חלקים בתמונה J:

J-1	עמדת אחסון נעולה
J-2	עמדת הצמדה/הסרה של שק הדשא
J-3	עמדת הפעלה עליונה
J-4	עמדת הפעלה אמצעית
J-5	עמדת הפעלה תחתונה

הצמדת/הסרת שק הדשא/תוספת כיסוי/האשד לפריקה צדדית

⚠ אזהרה: לעולם אל תבצעו כווננים למכסחת הדשא לפני עצירתו המלאה של המנוע, לפני הסרת מפתח הבטיחות ועצירתם המלאה של הלהבים.

הודעה: הצימדו את כל האביזרים אל מכסחת הדשא לפני הכיסוח.

על מנת להצמיד/להסיר את שק הדשא (תמונה K)

כווננו את הידית אל עמדת ההפעלה המתאימה. הרימו את דלת הפריקה האחורית ותלו את שק הדשא על מוט הסיבוב. על מנת להסיר, פשוט הרימו את שק הדשא, הסירו ממוט הסיבוב. לבסוף, שחררו את דלת הפריקה האחורית.

הודעה: הסירו את תוספת הכיסוי המותקנת מראש במכסחה לפני הצמדת שק הדשא אל המכסחה.

על מנת להצמיד/להסיר את תוספת הכיסוי (תמונה L)

הרימו את דלת הפריקה האחורית והכניסו את תוספת הכיסוי אל תוך המכסחה. על מנת להסיר, פשוט הוציאו אותה. לבסוף, שחררו את דלת הפריקה האחורית.

על מנת להצמיד/להסיר את האשד לפריקה צדדית (תמונה M)

הרימו את דלת הפריקה הצדדית. יישרו את חריץ אשד הפריקה עם גלגל דלת הפריקה ושחררו בעדינות את דלת הפריקה הצדדית על מנת לסובב אותה על מוט הסיבוב עד אשר היא נחה באופן איתן על אשד הפריקה. על מנת להסיר, הרימו את דלת הפריקה הצדדית, הרימו את אשד הפריקה הצדדית מתוך גלגל ההרכבה של הדלת. ראו למטה תיאור חלקים בתמונה M:

M-1	דלת פריקה צדדית
M-2	גלגל הרכבה

שם חלק	כמות
מסגרת שק דשא	1
תוספת כיסוי	1
אשד לפריקה צדדית	1
מפתח בטיחות	1
מדריך הוראות	1

תיאור

הכירו את מכסחת הדשא שלכם (תמונה A, B, C, D, E)

- מתג דלי (דוושת מתג)
- ידית
- כפתור בטיחות
- מתג הנעה עצמית
- מלחציים לנעילת הידית
- שק דשא
- דוושת כיוון גובה חיתוך
- גלגל אחורי
- דלת פריקה צדדית
- משטח מכסחה
- מכסה משטח
- גלגל קדמי
- פנסי לד
- מכסה מארז סוללה
- ידית אחורית
- דוושת כיוון מהיר
- דלת פריקה אחורית
- מסילה צדדית
- דוושת כיוון מהירות ההנעה העצמית
- מגן נתיב
- אינדיקטור מתח
- מתג הפעלה עבור פנסי לד
- כפתור שחרור סוללה
- חריץ מפתח בטיחות
- תוספת כיסוי
- אשד לפריקה צדדית

הפעלה

הרכבת שק הדשא

- 1) החליקו את שק הדשא אל המסגרת (תמונה F).
- 2) הרכיבו את האטבים העליונים אל המסגרת (תמונה G). לאחר מכן הרכיבו את האטבים הצדדיים. לבסוף הרכיבו את האטב התחתון.
- 3) ניתן לראות את שק הדשא המורכב לגמרי בתמונה H

כיוון הידית הכפופה

⚠ אזהרה: אל תנסו להפעיל את המכסחה לפני הידית נעולה באחד משלוש עמדות ההפעלה המוגדרות מראש

וולטז'	56 V	56 V
מהירות ללא עומס	3000/דקה	3000/דקה
גובה חיתוך	25 - 95 מ"מ	25 - 95 מ"מ
טמפרטורת הפעלה מומלצת:	0°C-40°C	0°C-40°C
טמפרטורת אחסון מומלצת:	-20°C-70°C	-20°C-70°C
עומדת גובה חיתוך	6	6
גודל משטח	51 ס"מ	51 ס"מ
רוחב חיתוך	50 ס"מ	50 ס"מ
נפח שק דשא	L 60	L 60
משקל המכסחה (ללא מארז סוללה, תוספת כיסוי)	27.2 ק"ג	24.4 ק"ג
דגם להב	AB2001	AB2001
רמת עוצמת קול נמדדת L_{WA}	91.5 dB(A) K=1.80 dB(A)	91.0 dB(A) K=1.89 dB(A)
רמת לחץ קול באוזן המפעיל L_{PA} K=3 dB(A)	79.5 dB(A)	79.2 dB(A)
רמת עוצמת קול מובטחת L_{WA} (נמדדת על פי 2000/14/EC)	93 dB(A)	93 dB(A)
הערכת רטט a_{11} 1.5 = K מ/שנייה ²	ידית שמאלית	2.5 ≥ מ/שנייה ²
	ידית ימנית	2.5 ≥ מ/שנייה ²
מעצור להב	כן	כן

- ערך הרטט הכללי המוצהר נמדד בהתאם עם שיטת בדיקה סטנדרטית ונעתק להשתמש בו על מנת להשוות ציוד אחד עם ציוד אחר;
 - ניתן להשתמש בערך הרטט הכללי המוצהר בהערכה ראשונית של חשיפה.
- הודעה:** פליטת הרטט בעת השימוש המעשי בכלי יכולה להיות שונה מן הערך המוצהר כאשר הכלי נמצא בשימוש; על מנת להגן על המפעיל, על המשתמש ללבוש כפפות ומגני אוזניים בעת השימוש למעשה.

רשימת אריזה

שם חלק	כמות
מכסחה	1
שק דשא	1

- שימרו על המכסחה שלכם - שימרו על להב המכסחה חד ונקו אותו על מנת לקבל את הביצועים הטובים והבטוחים ביותר. להבי המכסחה חדים והם יכולים לחתוך. עטפו את הלהב או לבשו כפפות והיו זהירים מאוד בעת עבודות תיקון ותחזוקה.
- לעולם אל תסירו או תשנו אמצעי בטיחות. בדקו באופן סדיר את פעולתם הסדירה. לעולם על תעשו משהו אשר יפריע לפונקציה המיועדת של אמצעי בטיחות או על מנת להפחית את ההגנה המסופקת על ידי אמצעי בטיחות מסוים.
- דממו תמיד את המנוע לפני כל כיוונון לגלגל מסוים או לגובה החיתוך.
- לאחר הפגיעה בעצם זר, דממו את המנוע, הסירו את המפתח ובדקו את המססחה ביסודיות לנזקים. תקנו את הנזק לפני הפעלת המכסחה.
- שימרו על או החליפו נגיות בטיחות והוראות, כנדרש. צרו קשר עם מרכז הלקוחות של EGO או מרכז השירות של EGO הקרוב אליכם ותיקונים והחלפות ייעשו רק על ידי טכנאי שירות המוסמכים לכך.
- שמירו על הוראות אלו.** עיינו בהם בתדירות גבוהה והשתמשו בהם על מנת להדריך אחרים אשר עלולים להשתמש במכשיר. אם אתם מלווים את הכלי למישהו אחר, תנו לו גם את ההוראות הללו על מנת למנוע שימוש לא נכון של המכשיר או פציעות אפשריות.

השימוש והטיפול בסוללה

- על מנת לשמור על המשאבים הטבעיים, אנא מחזרו או זרקו סוללות בהתאם. מוצר זה מכיל סוללות ליתיום-יון. חוקים בינלאומיים או לאומיים אוסרים על זריקת סוללות ליתיום-יון ביחד עם אשפה רגילה. צרו קשר עם רשות האשפה המקומית שלכם למידע בנוגע לאפשרויות מחזור ו/או זריקה זמינות.
- בעת הסרה של מארז הסוללה לזריקה או מחזור, כסו את מסופי מארז הסוללה עם ניר דבק המתוכנן לעמוד בתנאים קשים. אל תנסו להרוס או לפרק את מארז הסוללה או להסיר את הרכיבים שלו. יש לזרוק או למחזר סוללות ליתיום-יון בדרך המתאימה לכך. כמו כן, בעולם אל תיגעו במסופים עם עצמי מתכת ו/או חלקי גוף, ייתכן קצר של מארז הסוללה. הרחיקו מהישג ידם של ילדים. חוסר תשומת לב להוראות אלו עלול לגרום לשרפה ו/או לפציעות חמורות.
- תחת תנאי שימוש לא נאותים, נוזל עלול להיפלט מן הסוללה; הימנעו ממגע. אם ישנו מגע מקרי, שטפו במים. אם מתרחש מגע עם העיניים, בנוסף, פנו לעזרה רפואית.** נוזל הנפלט מן הסוללה עלול לגרום לפריחה או כוויות.

מפרטים

מספר דגם	LM2020E	LM2020E-SP
מערכת הנעה עצמית	לא	כן

HE

445

אל תעשו:

- אל תכסחו את הדשא ליד מדרונות תלולים, תעלות או סכרים; אתם עלולים לאבד את האיזון שלכם או למעוד.
- אל תכסחו מדרונות בעלי שיפוע גדול מ-15 מעלות.
- אל תכסחו דשא רטוב. עמידה לא יציבה עלולה לגרום להחלקות.

שירות

- ⚠ אזהרה:** רכיבי שק הדשא, מכסה הפריקה, האשד לפריקה הצדדית, תוספת הכיסוי ומגן הנתיב יכולים להראות סימני בלאי או נזק, אשר יכולים לחשוף חלקים נעים או לאפשר לעצמים להיזרק, דבר שמעלה את הסיכון לפציעות. למטרות בטיחות, בדקו בתדירות גבוהה את כל הרכיבים והחליפו חלקים פגומים מיד עם חלפים זהים, הרשומים במדריך זה. צרו קשר עם מרכז הלקוחות של EGO או מרכז השירות של EGO הקרוב אליכם ותיקונים והחלפות ייעשו רק על ידי טכנאי שירות המוסמכים לכך.
- אם המתג המובנה של המכסחה להגנה מפני עומס יתר מועד לעתים קרובות, אנא צרו קשר עם מרכז הלקוחות של EGO או מרכז השירות של EGO הקרוב אליכם.
- נא לא לשטוף את המכסחה בעזרת צינור; מנעו ממים להיכנס אל המנוע ואל חיבורי החשמל.
- הסירו את המפתח ואחסנו את המכסחה במצב סרק בתוך הבית כאשר איננה בשימוש. אפשרו למנוע להתקרר לפני אחסונה בכל מקום סגור. יש לאחסן את מכסחת הדשא במקום סגור יבש, גבוה או נעול, מחוץ להישג ידם של ילדים.
- במקרה של עבודות תיקון, השתמשו רק בחלקי חילוף זהים המופיעים במדריך זה. שימוש של חלקים אשר לא מתאימים למפרטים של הציוד המקורי עלולים להוביל לביצועים לא מתאימים ולפגוע בבטיחות הציוד.
- הסירו את נקו את מארז הסוללה לפני ביצוע של כל עבודות תיקון, ניקיון או הסרה של חומרים ממכסחת הדשא.
- עקבו אחר ההוראות בנוגע לאביזרי החלפה.
- שימרו על הידיות יבשות, נקיות וללא שמן או חומרי סיכה.
- על מנת להפחית את הסיכון לשרפות, שימרו על מכסה המנוע נקי מדשא, עלים והצטברות של אשפה.
- בדקו את הלהב ואת בורגי ההרכבה בתדירות קבועות על מנת שיהיו הדוקים כהלכה. כמו כן, בדקו באופן חזותי את הלהב לסימני נזק (לדוגמה, כיפופים, סדקים או סימני בלאי). החליפו את הלהב רק עם להב החלפה זהה, הרשום במדריך.

- ידיית בקר המנוע/הלהב היא מכשיר בטיחות. לעולם אל תנסו לנטרל את פעולתה. הדבר ינטרל את פעילותה הבטיחותית של המכונה ועלול לגרום לפציעה אישית על ידי מגע עם הלהב המסתובב. ידיית הבקרה של המנוע/הלהב אמורה להיות מופעלת בקלות לשני הכיוונים ועליה לחזור לעמדה המשוחררת שלה באופן אוטומטי.
 - הימנעו מסביבות מסוכנות - אל תשתמשו במכסחת הדשא במקומות לחים או רטובים.
 - אל תשתמשו במזג אוויר גשום.
 - תמיד היו בטוחים בצעדים שלכם. החלקות ונפילות עלולות לגרום לפציעות אישיות. אם אתם חשים שאתם עומדים ליפול, שחררו מיד את ידיית בקר המנוע/הלהב והלהב יפסיק את סיבובו תוך שלוש שניות.
 - עצרו את הלהב בעת מעבר מעל דרכי אבנים, שבילים או כבישים.
 - אם הציוד מתחיל לרטוט באופן שאינו נורמלי, עצרו את המנוע וחפשו מיד את הסיבה לכך. רטט הוא בדרך כלל סימן לבעיות.
 - בדיקת נזקים;
 - החליפו או תקנו כל חלק פגום הניתן להחלפה על ידי המשתמש;
 - בדקו את ההידוק של כל חלק משוחרר.
 - לעולם אל תפעילו את המכסחה ללא מגן נתיב, כיסוי פריקה, שק דשא, תוספת כיסוי, אשד לפריקה צדדית, ידיית בקרת מנוע/להב מתאימים או ללא כל אמצעי בטיחות אחר הנמצא במקום הראוי לו והופעל כהלכה. לעולם אל תפעילו את המכסחה עם מכשירי בטיחות ניזוקים. אם תעשו זאת הדבר עלול לגרום לפציעות אישיות.
 - אם יתיתקלו במצבים שאינם מתוארים במדריך זה, פעלו בזהירות ובעזרת שכל ישר. צרו קשר עם מחלקת שירות הלקוחות של EGO לעזרה.
 - יש להסיר את מארז הסוללה מן הציוד טרם זריקתו.
 - יש לזרוק את הסוללות בדרך המתאימה.
- ### הפעלה על גבי מדרון:
- מדרונות הם גורמי תאונות המקושרים אל נפילות והחלקות, העלולים לגרום לפציעות חמורות. בעת השימוש על גבי מדרונות, היו בטוחים בצעדים שלכם. הפעלה על גבי מדרונות מצריכה זהירות מרובה. אם אינכם מרגישים בטוחים במדרון, אל תכסחו אותו.
- ### עשו:
- כסחו את הדשא על פני המדרון, לעולם לא למעלה-למטה. היו מאוד זהירים בעת החלפת הכיוון על גבי מדרונות.
 - חפשו חורים, שורשים, סלעים, עצמים נסתרים או גומות העלולים לגרום לכם למעוד או להחליק. דשא גבוה עלול להחביא עצמים.

לפציעות אישיות. תכננו את מסלול הכיסוח שלכם על מנת למנוע פריקה של חומרים אל עבר דרכים, מדרכות, אנשים וכדומה. כמו כן, הימנעו מלפרוק חומרים לעבר קירות או עצמים היכולים לגרום לחומר הנפרק להיזרק חזרה אל עבר המפעיל.

על מנת להימנע ממגע עם להב או על מנת למנוע פציעה מעצמים נזרקים, עמדו באזור המפעיל מאחורי הידיות ושימרו על ילדים, עוברי אורח, עוזרים וחיות מחמד במרחק של לפחות 30 מ' מן המכסחה בעת ההפעלה. עצרו את המכונה אם מישו נכנס אל האזור.

עמדו תמיד משקפי מגן או ציוד מגן בעת ההפעלה ובעת ביצוע כווננים או תיקונים על מנת להגן על עיניכם. עצמים נזרקים הנזרקים חזרה עלולים לגרום לפציעות עיניים חמורות. השתמשו תמיד במסכת פנים או אבק אם ההפעלה היא באזור מאובק.

לבשו בגדים מתאימים - אל תלבשו בגדים רפויים או תכשיטים. הם עלולים להתפס בחלקים הנעים. אנו ממליצים על שימוש בכפפות גומי ועל נעילת נעליים בעת העבודה מחוץ לבית. נעלו נעלי עבודה מוצקות, בעלות סוליות קשות וחולצות ומכנסיים צמודים לגוף.

אנו ממליצים על חולצות ומכנסיים המכסים את הידיים והרגליים ועל נעליים בעלי קצה ברזל. לעולם אל תפעילו את המכונה ברגליים יחפות, כפכפים או נעליים קלות (לדוגמה, נעלי בד).

אל תניחו את הידיים או הרגליים שלכם ליד חלקים מסתובבים או מתחת למשטח החיתוך. כל מגע עם הלהב עלול לגרום לפציעות רגליים וידיים.

מכסה פריקה חסר או פגום עלול לגרום למגע עם הלהב או לפציעות כתוצאה מעצמים נזרקים.

פציעות רבות נגרמות מעלייה של המכסחה על רגלי המפעיל בעת מעידה או החלקה. אל תחזיקו את המכסחה בעת הפעלה, שחררו את הידית מיד.

לעולם אל תמשכו את המכסחה אליכם כאשר אתם הולכים. אם עליכם להביא את המכסחה לאחור בשל קיר או עצם מסוים, תמיד הביטו לאחור ולמטה על מנת למנוע מעידות ולאחר מכן בצעו את הצעדים הבאים.

צעדו לאחור מן המכסחה עד ליישור מלא של הידיים.

וודאו שאתם מאוזנים היטב וצועדים בצורה מוצקה.

משכו את המכסחה לאחור בהירות, לא יותר מחצי המרחק אליכם.

חיזרו על צעדים אלו בעת הצורך.

אל תפעילו את המכסחה תחת השפעת אלכוהול או סמים.

הישארו ערניים - הביטו אל עבר מה שאתם עושים. השתמשו בשכל הישר. אל תפעילו את מסכת הדשא כאשר אתם עייפים.

- היו ערניים וכבו את המכסחה בנוכחותם של ילדים.
- היו מאוד זהירים בעת ההתקרבות לפינוט עיוורת, מעברי דלתות, שיחים, עצים או כל עמם אחר אשר יכול להסתיר את באו של ילד בעת הפעלת המכסחה.
- יש להשיג על ילדים ולהבטיח שהם אינם משחקים עם המכסחה.
- כבו תמיד את המכסחה כאשר אתם מסירים את מארז הסוללה מן הכלי. עצרו את הלהב(ים) כאשר יש צורך להטות את המכשיר להובלה בעת הליכה על משטחים אחרים מאשר דשא ובעת הובלת המכשיר מן ואל האזור שיש לכסח.

הפעלה

הפעלה כללית

- קראו מדריך הפעלה זה בעיון רב ובמלואו לפני כל ניסיון להרכיב את המכונה. קראו, הבינו ועקבו אחר ההוראות המופיעות על המכונה ובמדריכים לפני כל הפעלה. למדו היטב את הבקורות ואת השימוש המתאים במכונה זו לפני הפעלתה. שימרו על מדריך זה במקום בטוח עבור עיון עתידי וקבוע ועבור הזמנה של חלקי חילוף.
- השתמשו בציוד הנכון - אל תשתמשו במסכת הדשא לכל שימוש אחר מאשר השימוש המיועד לה.
- אל תבצעו מאמץ יתר - שימרו על צעידה ואיזון בטוחים בכל זמן.
- עצמים הנתקעים בלהבי המכסחה עלולים לגרום לפציעות אדם חמורות. לפני כל כיסוח יש לבדוק בהירות את הדשא ולנקות ממנו עצמים.
- לפני ובעת הליכה לאחור, הביטו לאחור ולמטה על מנת לראות ילדים קטנים ואנשים אחרים.
- המכשיר אינו מכונת משחק. לכן, תמיד היו זהירים מאוד. היחידה שלכם עוצבה על מנת לבצע תפקיד אחד: לכסח דשא. אל תשתמשו במכשיר לכל מטרה אחרת.
- אל תפעילו כוח על המכסחה - היא תבצע את עבודתה בצורה טובה ובטוחה יותר בקצב בו היא עוצבה.
- לפני השימוש, בדקו תמיד שאין סימני בלאי או נזקים על גבי הלהבים, בורגי הלהבים וכל מערך החיתוך. החליפו הלהבים וברגים וכל רכיב אחר, פגומים או המראים סימני בלאי בו זמנית על מנת לשמור על איזון. החליפו תגיות ניזוקות או אשר לא ניתן לקרוא אותן.
- היו מאוד זהירים בעת הליכה לאחור או כאשר אתם מושכים את המכשיר אליכם.
- בדקו כיסודיות את האזור בו אתם עומדים להשתמש במכשיר. הסירו את כל האבנים, מקלות, כבלים וצעצועים וכל עצם זר אחר אשר עלולים לגרום לכם למעוד או אשר עלולים להיות מורמים על ידי הלהב ולהיזרק אחר כך. עצמים נזרקים עלולים לגרום

- המפעיל או המשתמש אחראיים עבור כל תאונה או סכנה אשר עלולים להתרחש לאנשים אחרים או לרכושם.
- **הכנה**
- בעת כיסוח הדשא, נעלו תמיד נעליים מוצקות ולבשו מכנסיים ארוכים.
- אל תפעילו את המכשיר כאשר אתם יחפים או נועלים סנדלים. הימנעו מלבישת בגדים משוחררים או שיש להם חוטים או קשרים.
- חקרו בזהירות את האזור בו אתם רוצים להשתמש במכונה הסירו אבנים, מקלות, כבלים, עצמות ועצמים זרים אחרים.
- לפני השימוש, בדקו תמיד שאין סימני בלאי או נזקים על גבי הלהבים, בורגי הלהבים וכל מערך החיתוך. החליפו הלהבים או ברגים בעלי בלאי או נזק בסטים על מנת לשמור על איזון. החליפו תגיות ניזוקות או אשר לא ניתן לקרוא אותן.
- **הפעלה**
- כסחו את הדשא רק באור יום או באור מלאכותי חזק. הימנעו משימוש במכשיר על גבי דשא רטוב, כאשר הדבר ניתן.
- בעת השימוש על גבי מדרונות, היו בטוחים בצעדים שלכם.
- הילכו, לעולם אל תרוצו.
- בעת השימוש במכסחות סיבוביות בעלות גלגלים, כסחו את הדשא על פני המדרון, לעולם לא למעלה-למטה.
- היו מאוד זהירים בעת החלפת הכיוון על גבי מדרונות. אל תשתמשו על גבי מדרונות מאוד תלולים.
- היו מאוד זהירים בעת הליכה לאחור או כאשר אתם מושכים את המכשיר אליכם.
- עצרו את הלהב(ים) כאשר יש צורך להטות את המכשיר ההובלה בעת הליכה על משטחים אחרים מאשר דשא ובעת הובלת המכשיר מן ואל האזור שיש לכסח.
- לעולם אל תשתמשו במכשיר עם מגנים או משמרים ניזוקים, או ללא מכשירי הגנה, כגון מוטות הסטייה ו/או תופסי דשא, הנמצאים במקומם.
- הפעילו את המנוע בהתאם להוראות וכאשר הרגליים שלכם נמצאות הרחק מן הלהב(ים).
- אל תטו את המכשיר בעת לחיצה על מתג ההפעלה, אלא אם כן יש צורך בהטיית המכשיר לשם ההפעלה. במקרה זה, אל תטו את המכשיר מעבר למידת הצורך והרימו רק את הצד אשר לא נמצא ליד המפעיל. וודאו תמיד ששתי הידיים נמצאות בעמדת הפעלה לפני הרצת הציוד על הקרקע. אל תפעילו את המכונה כאשר אתם עומדים לפני פתח הפריקה.
- אל תניחו את הידיים או הרגליים שלכם ליד או מתחת ללהבים המסתובבים. עבור מכסחות סיבוביות, אל תעמדו ליד פתח הפריקה בכל עת.
- לעולם אל תרימו או תישאו את המכשיר כאשר המנוע פועל.
- כבו את המכונה והסירו את מארז הסוללה הניתן להסרה (או את מכשיר הנטרול) וודאו שכל החלקים הנעים נעצרו לגמרי לפני כיוון או ניקיון:
- כאשר אתם עוזבים את המכונה;
- לפני ניקיון של מחסום ושחרור האשד;
- לפני בדיקה, ניקיון או עבודה על הציוד;
- לאחר פגיעה בעצם זר. בדקו את המכשיר לנזקים ובצעו תיקונים בעת הצורך.
- אם המכשיר מתחיל לרטוט באופן שאיננו נורמלי (בדקו מיד): אם המכשיר מתחיל לרטוט באופן שאיננו נורמלי (בדקו מיד):
- בדיקת נזקים;
- החליפו או תקנו כל חלק פגום;
- בדקו את ההידוק של כל חלק משוחרר.
- **תחזוקה ואחסון**
- היו זהירים בעת כיוון המכשיר על מנת למנוע היתפסות של האצבעות בין הלהבים הזחים וחלקים קבועים של הציוד.
- שימרו על כל האומים, הברזים והברגים הדוקים על מנת לוודא שהמכשיר נמצא בתנאי עבודה טובים.
- בדקו את תופס הדשא בתדירות גבוהה לסימני בלאי או נזקים כלשהם.
- החליפו חלקים בעלי בלאי או ניזוקים למטרות בטיחות.
- ניקיון ועבודות תחזוקה לא יתבצעו על ידי ילדים ללא השגחה.
- בעת ביצוע עבודות תיקון ותחזוקה ללהבים, אגז היו מודעים לעובדה שלמרות שהציוד איננו מחובר למקור מתח, עדיין ניתן יהיה להזיז את הלהבים.
- עבור מכסחות סיבוביות, וודאו שאמצעי החיתוך יוחלפו רק על ידי אמצעי אחרים מן הסוג הנכון.
- **בטיחות אישית**
- תאונות טרגיות עלולות להתרחש אם המפעיל איננו שם לב לנוכחותם של ילדים. בדרך כלל ילדים נמשכים אל המכסחה ואל פועלת הכיסוח. הם אינם מבינים את הסכנות. לעולם אל תניחו שהילדים יישארו במקום האחרון בו ראיתם אותם.
- וודאו שהילדים אינם נמצאים בטווח התנועה שלכם ושהם נמצאים תחת השגחה של מבוגר אחר מאשר המפעיל.

לעזרה רפואית. נזל הנפלט מן הסוללה עלול לגרום לפריחה או כוויות.

- **אל תשתמשו במארז סוללה או מכשיר חשמלי ניזוקים או אשר שנו.** סוללות ניזוקות או אשר שנו עלולות להתנהג בצורה לא צפויה אשר עלולה להסתיים בשרפה, פיצוץ או סיכון לפציעה אישית.
- **אל תחשפו את מארז הסוללה או את המכשיר אל אש או טמפרטורות גבוהות.** חשיפה אל אש או טמפרטורות הגבוהות מ-130°C עלולה לגרום לפיצוץ.
- **בצעו את כל הוראות ההטענה ואל תטעינו את מארז הסוללה או את הכלי החשמלי מחוץ לטווחי הטמפרטורה המצוינים בהוראות אלו.** הטענה לא נכונה או מחוץ לטווחי הטמפרטורה המצוינים עלולים לגרום לנזק ולהעלות את הסיכון לשרפה.

שירות

- **בצעו עבודות שירות על המכשיר החשמלי שלכם רק באמצעות טכנאי שירות מוסמך העושה שימוש בחלקי חילוף זהים בלבד.** הדבר יבטיח שבטיחות המכשיר החשמלי נשמרת.
- **לעולם אל תבצעו עבודות שירות למארזי סוללה ניזוקים.** שירות למארזי סוללה צריך להתבצע רק על ידי היצרן או ספקי שירות מוסמכים.

חוקי בטיחות עבור מכסחות דשא אלחוטיות

⚠ סכנה: מכונה זו נבנתה לשימוש בהתאם להוראות ההפעלה הבטוחה המופיעות במדריך זה. בדומה לכל ציוד חשמלי, כל חוסר זהירות או טעות של המפעיל עלולה לגרום לפציעה חמורה. מכונה זו מסוגלת לגרום לפציעות ידיים או רגליים ולזרוק עצמים. חוסר תשומת לב להוראות הבטיחות עלול לגרום לפציעות חמורות או למוות.

⚠ אזהרה: בעת השימוש במכסחות דשא אלחוטיות, יש לעקוב תמיד אחר אמצעי הזהירות הבסיסיים על מנת להפחית את הסיכון לשרפות, שוק חשמלי או פציעות.

חשוב

קראו בעיון לפני השימוש. שמרו לעיון עתיד.

חוקי בטיחות עבור מכסחות דשא אלחוטיות:

זהירות-נא לא לגעת בבלבה המסתובבת!

הכשרה

- קראו את ההוראות בעיון. למדו היטב את הבקורות ואת השימוש המתאים במכשיר.
- לעולם אל תרשו לאנשים או ילדים אשר אינם מכירים הוראות אלו להשתמש במכשיר. תקנות מקומיות עלולות להגביל את גיל המפעיל.
- לעולם אל תכסחו את הדשא כאשר ישנם אנשים, במיוחד ילדים, או חיות מחמד בסביבה.

▪ **אל תשתמשו במכשיר החשמלי אם מתג ההפעלה והכיבוי איננו פועל.** כל מכשיר חשמלי אשר לא ניתן לשלוט בו בעזרת המתג הוא מסוכן ויש לתקן אותו.

▪ **נתקו את התקע ממקור החשמל ו/או הסירו את מארז הסוללה מן המכשיר החשמלי לפני ביצוע כל התאמה, החלפת אבזירים, או אחסון של מכשירי חשמל.** אמצעי זהירות למניעה אלו מפחיתים את הסיכון להפעלה מקרית של המכשיר החשמלי.

▪ **אחסנו מכשירים חשמליים אשר אינם בשימוש הרחק מהישג ידם של ילדים ואל תאפשרו לאנשים אשר אינם מכירים את המכשיר החשמלי או אשר לא קראו את ההוראות להפעיל את המכשיר החשמלי.** מכשירים חשמליים הם מסוכנים כאשר הם בידם של אנשים אשר לא הוכשרו להפעיל אותם.

▪ **תחזקו מכשירים חשמליים ואבזירים. בדקו יישור או ליפוף של חלקים נעים, שבירה של חלקים וכל תנאים אחרים אשר עלולים להשפיע על פעולת המכשיר החשמלי.** אם המכשיר החשמלי ניזוק, יש לתקן אותו לפני השימוש בו. תאונות רבות נגרמות כתוצאה מתחזוקה לקויה של מכשירים חשמליים.

▪ **שימרו על כלי החיתוך חדים ונקיים.** לכלי חיתוך אשר תוחזקו כהלכה בעלי קצוות חדים יש פחות סיכוי לבצע ליפוף וקל יותר לשלוט בהם.

▪ **השתמשו במכשירים החשמליים, באבזירים, בחתיכות המכשירים וכו' בהתאם להוראות אלו, כאשר אתם לוקחים בחשבון את תנאי העבודה ואת העבודה שיש לבצע.** שימוש במכשיר החשמלי לפעולות אחרות מאשר אלו אליהן הוא מיועד עלול להסתיים במצב מסוכן.

▪ **שימרו על הידידות ועל חלקי האחיזה יבשים, נקיים וללא שמן או חומרי סיכה.** ידידות וחלקי אחיזה מחליקים עלולים להוביל לטיפול לא בטוח ו/או אבדן שליטה על המכשיר.

השימוש והטיפול בסוללת הכלי

▪ **הטעינו רק עם המטען המצויין על ידי היצרן.** מטען המתאים למארז סוללה אחד עלול ליצור סכנת אש עבור מארז סוללה אחר.

▪ **השתמשו במכשירים חשמליים עם מארזי סוללה המיועדים להם.** השימוש במארזי סוללה אחרים עלול ליצור סיכון לפציעות ושרפות.

▪ **כאשר מארז הסוללה איננו בשימוש, שימרו עליו במרחק מסוים מעצמים אחרים העשויים ממתכת, כגון מהדקי נייר, מטבעות, מפתחות, מסמרים, ברגים או עצמים קטנים ממתכת העלולים לבצע חיבור של מסוף אחד למשנהו.** ביצוע קצר בין מסופי הסוללה עלול לגרום לכוויות או שרפה.

▪ **בתנאי שימוש לא נאותים, נזל עלול להיפלט מן הסוללה;** הימנעו ממגע. אם ישנו מגע מקרי, שטפו במים. אם מתרחש מגע עם העיניים, בנוסף, פנו

בטיחות אישית

- הישראל דרוכים, הביטו במה שאתם עושים והשתמשו בשכל הישר כאשר אתם משתמשים במכשיר החשמלי. נא לא להשתמש במכשיר החשמלי כאשר אתם עייפים או תחת השפעה של סמים, אלכוהול או תרופות. רגע אחד של חוסר תשומת לב בעת הפעלת המכשיר החשמלי עלול לגרום לפציעה אישית חמורה.
- השתמשו בציוד הגנה אישי. חבשו תמיד מגני עיניים. כאשר נעשה שימוש בציוד הגנה כגון מסכת אבק, נעלי בטיחות נגד החלקה, כובעים קשים או מגני אוזניים, בתנאים המתאימים, הדבר יפחית את הסיכון לפציעות אישיות חמורות.
- מנעו הפעלה מקרית. וודאו שהמתג נמצא במצב כבוי לפני חיבור של מקור מתח ו/או מארז הסוללה, לפני הרמת המכשיר החשמלי או נשיאתו. נשיאה של מכשירים חשמליים כאשר האצבע שלכם ממוקמת על המתג או חיבור מקורות מתח למכשירים חשמליים הנמצאים במצב פועל, מזמינים תאונות.
- הסירו כל כלי כוונון או מפתח ברגים לפני ההפעלה של המכשיר החשמלי. מפתח ברגים או כלי כוונון המוצמד אל חלק מסתובב של המכשיר החשמלי עלול לגרום לפציעה אישית חמורה.
- אל תנסו להתמתח רחוק מדי. שימרו על צעד ואיזון בטוחים בכל זמן. הדבר מאפשר שליטה טובה יותר במכשיר החשמלי במצבים לא צפויים.
- לבשו בגדים מתאימים. אל תלבשו בגדים רפויים או תכשיטים. שימרו על השיער שלכם ועל חלקי ביגוד וכפפות הרחק מחלקים נעים. בגדים רפויים, תכשיטים או שיער ארוך עלולים להיתפס בחלקים הנעים.
- אם המכשירים מגיעים ביחד עם חיבור להוצאת אבק ומתקני איוסוף, וודאו שאלו מחוברים כהלכה והשימוש בהם נעשה באופן נכון. השימוש במתקני אבק יכול להפחית סכנות הקשורות לאבק.
- אל תאפשרו לעצמכם להיות פחות זהירים בגלל שימוש תכוף במכשיר החשמלי, אל תהיו שאננים ואל תתעלמו מעקרונות הבטיחות. פעולה לא זהירה עלולה לגרום לפציעה חמורה בשבריר שנייה
- השימוש והטיפול במכשיר החשמלי
- אל תפעילו כוח על המכשיר החשמלי. השתמשו במכשיר החשמלי המיועד למטרה שלכם. המכשיר החשמלי הנוכח יבצע את עבודתו בצורה טובה ובטוחה יותר בקצב בו הוא תוכנן לפעול.

אזהרות בטיחות כלליות עבור כלי עבודה חשמליים

⚠ אזהרה: קראו את כל אזהרות הבטיחות, את ההוראות, התמונות והמפרטים המסופקים ביחד עם מכשיר חשמלי זה. אי מילוי כל ההוראות המופיעות למטה יכול לגרום אחריו שוק חשמלי, שרפה ו/או פציעה חמורה

שימרו את כל האזהרות וההוראות לעיון עתידי.

המושג "כלי עבודה חשמלי" בחלק האזהרות מתייחס אל כלי העבודה החשמלי שלכם (חוטי) או כלי עבודה חשמלי המונע על ידי סוללות (אלחוטי).

בטיחות סביבת העבודה

- שימרו על סביבת העבודה נקייה ומוארת כהלכה. סביבות לא מסודרות ואפלות מזמינות תאונות.
- אל תפעילו את המכשיר החשמלי באזורים דליקים, בנוכחות נוזלים דליקים, גזים או אבק. המכשירים החשמליים מייצרים ניצוצות העלולים להצית את האבק או האדים.
- בקשו מילדים ומעוברי אורח להתרחק מן המכשיר החשמלי בעת הפעלתו. הסחות דעת עלולות לגרום לכם לאבד שליטה.

בטיחות חשמלית

- התקעים של המכשיר החשמלי צריכים להיות מתאימים לשקע. לעולם אל תשנו את התקע בכל צורה שהיא. אל תשתמשו במתאמים עבור תקעים של מכשירים חשמליים בעלי הארקה. תקעים שלא שונו ושקעים מתאימים יפחיתו את הסיכון להלם חשמלי
- הימנעו ממגע עם משטחים בעלי הארקה, כגון צינורות, רדיאטורים, כיריים ומקררים. יש סיכון גבוה להלם חשמלי אם הגוף שלכם מוארק.
- אל תחשפו את המכשיר החשמלי לגשם או לתנאים רטובים. מים הנכנסים אל המכשיר החשמלי יגבירו את הסכנה להלם חשמלי.
- אל תפעילו לחץ על הכבל. לעולם אל תשתמשו בכבל על מנת לשאת, למשוך או להוציא את המכשיר החשמלי מן השקע. שימרו על הכבל הרחק ממקורות חום, שמן, קצוות חדים או חלקים נעים. כבלים ניזוקים או מלופפים מגבירים את הסיכון לשוק חשמלי.
- בעת הפעלת המכשיר החשמלי בחוץ, עשו שימוש בכבל מאריך המתאים לשימוש בחוץ. השימוש בכבל מאריך המתאים לשימוש בחוץ מפחית את הסיכון לשוק חשמלי.
- אם אין מניעה מהפעלת המכשיר החשמלי במקום לח, עשו שימוש בממסר פחת (RCD) להגנה על המתח. השימוש בממסר פחת מפחית את הסיכון לשוק חשמלי.

אמצעים המעריכים את הבטיחות שלכם.	התרעת בטיחות	
על מנת להפחית את הסיכון לפציעות, על המשתמש לקרוא ולהבין את המדריך למשתמש לפני השימוש במוצר זה.	קראו את מדריך ההוראות	
הלהבים ממשיכים את תנועתם הסיבובית לאחר כיבוי המנוע - הסירו את מכשיר הנטרול לפני כל עבודת תחזוקה. כבו והסירו את מאזר הסוללה (או את מכשיר הנטרול) לפני כל התאמה או ניקיון.	הזהרו מלהבים חדים	
ודאו שאנשים אחרים וחיות מחמד נמצאים במרחק של לפחות 30 מ' ממכסחת הדשא בעת השימוש בה.	בקשו מאנשים אחרים להתרחק מן המכונה בעת השימוש	
שימרו על הידיים במרחק בטוח מהרגליים	שימרו על הידיים והרגליים במרחק בטוח	
מוצר זה הנו בהתאם לתקנות ה-EC הרלוונטיות.	CE	
מוצר זה הוא בהתאם לחוקים הרלוונטיים בבריטניה.	UKCA	
אין לזרוק מוצרים חשמליים כחלק מכל אשפה ביתית. הביאו את המכשיר למרכז מחזור מוסמך.	WEEE	
רמת עוצמת קול מובטחת. פליטת רעש אל הסביבה בהתאם לתקנות האיחוד האירופי.	רעש	
הגנה מפני כניסה של מים בדרגה 4	IP	IPX4
וולטז'	וולט	V
זרם	אמפרים	A
תדירות (מחזורים לשנייה)	הרץ	Hz
מתח	וואט	W
זמן	דקות	min
סוג זרם	זרם חלופי	
סוג או מאפיין מתח	זרם ישיר	
מהירות ללא עומס	מהירות ללא עומס	n_0
סיבובים לדקה	לדקה	.../min

קראו את כל ההוראות!

קראו והבינו את מדריך ההוראות

⚠ אזהרה: על מנת להבטיח בטיחות ואמינות, יש לבצע את כל התיקונים וההחלפות בעזרת טכנאי שירות מוסמך שימוש מיועד ושימוש בלתי הולם הניתן לחיזוי: המוצר מיועד רק עבור כיסוח דשא בגנים ביתיים. אין להשתמש במוצר על מנת לכסח דשא גבוה במיוחד, ישב במיוחד או רטוב, כגון דשא מרעה; או על מנת לגרוס עלים. יש להשתמש במוצר רק עבור המטרות הרשומות. כל שימוש אחר ייחשב לשימוש בלתי הולם.

סימני בטיחות

מטרתם של סימני הבטיחות היא למשוך את תשומת לבכם אל סכנות אפשריות. סימני הבטיחות וההסברים שלהם דורשים את תשומת הלב וההבנה המלאות שלכם. סימני הבטיחות בעצמם לא ימנעו כל סכנה. ההוראות והאזהרות אותן הם מספקים לא תחלפנה נקיטת אמצעי מניעה מתאימים בעת תאונה.

⚠ אזהרה: וודאו שאתם קוראים ומבינים את כל הוראות הבטיחות המופיעות במדריך זה למשתמש, כולל את כל סימני התרעות הבטיחות כגון „סכנה“, „אזהרה“ ו-„זהירות“ לפני השימוש במכשיר זה. אי מילוי אחר כל ההוראות המופיעות למטה יכול לגרום אחריו שוק חשמלי, שרפה ו/או פציעות חמורות.

פירוש הסימן

סימן התרעת בטיחות: מראה סכנה, אזהרה, או זהירות, יכול להיות מלווה בסימנים או תמונות אחרים.

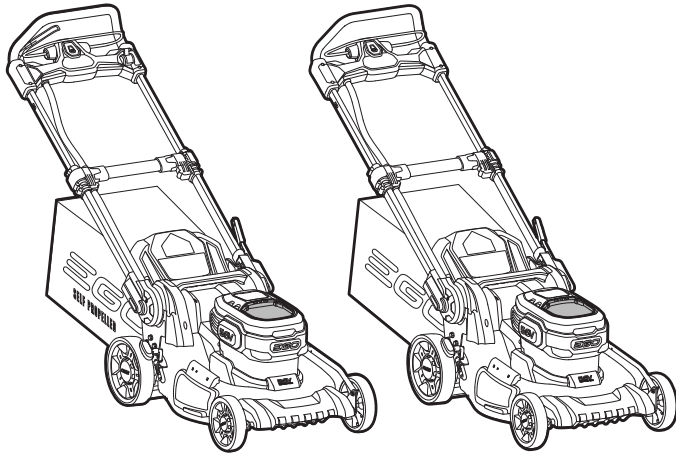
⚠ אזהרה: הפעלה של כל מכשיר עלולה לגרום לעצמים זרים להיזרק אל תוך העיניים, דבר העלול לגרום לנזק חמור לעיניים. לפני ההפעלה של כל מכשיר, ענדו תמיד משקפי מגן או משקפי בטיחות עם הגנה צדדית, ובעת הצורך, הגנה עבור כל הפנים. אנו ממליצים על שימוש במסכת בטיחות רחבה מעל למשקפי המגן או על שימוש במשקפי בטיחות עם הגנה צדדית.

הוראות בטיחות

עמוד זה מצוין ומתאר את סימני הבטיחות העלולים להופיע על גבי המוצר. קראו, הבינו ועקבו אחר ההוראות המופיעות על המכונה לפני כל ניסיון להרכיב ולהשתמש בה.

EGO™

POWER⁺ MOWER



LM2020E / LM2020E-SP

מכסחת דשא אלחוטית 56 וולט ליתיום-יון HE

الجزازة اللاسلكية العاملة ببطارية ليثيوم-أيون 56 فولت AR

